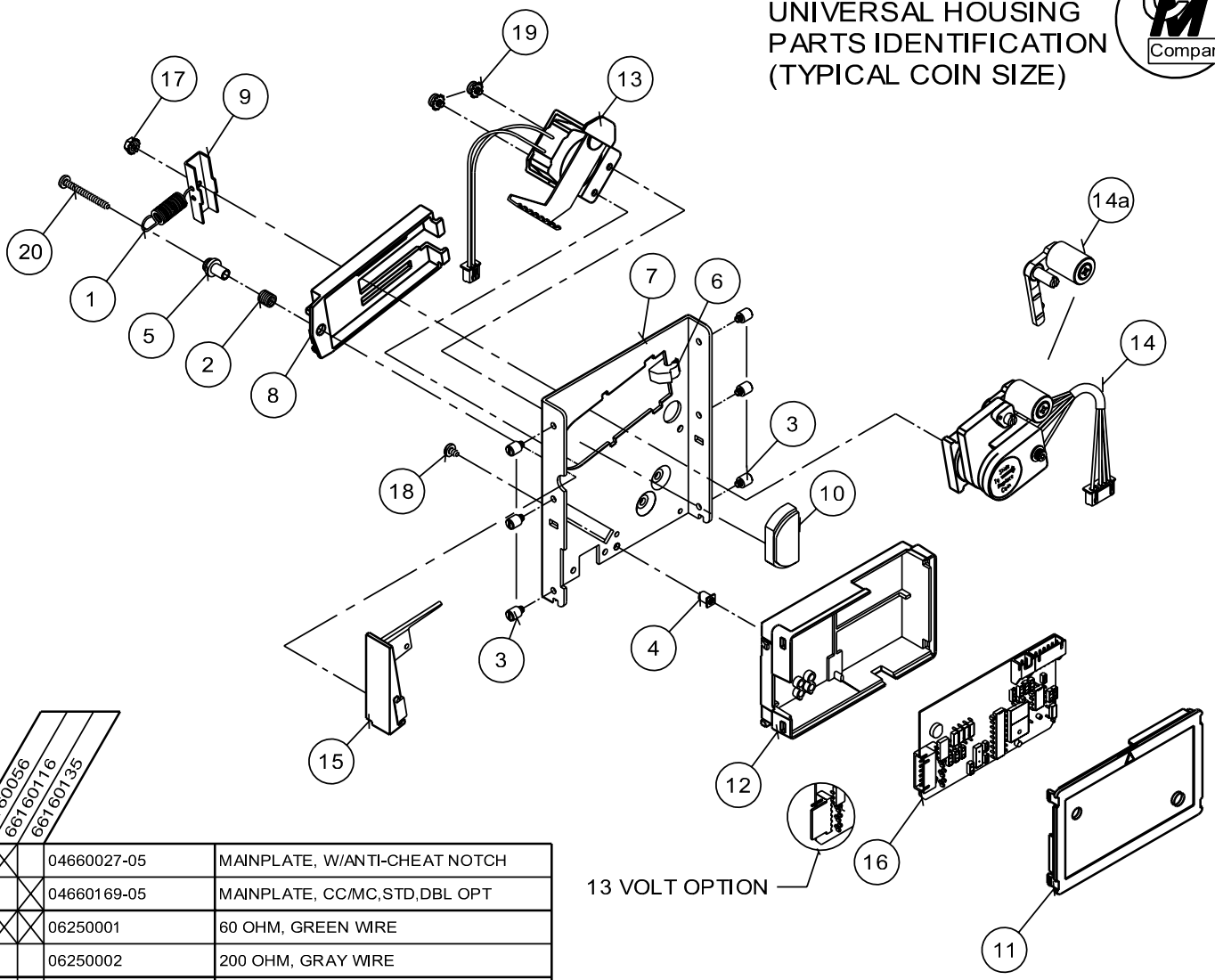


CC-16 \$1 US TOKEN
 UNIVERSAL HOUSING
 PARTS IDENTIFICATION
 (TYPICAL COIN SIZE)



ITEM NO.	66160056
	66160116
	66160135

7		04660027-05	MAINPLATE, W/ANTI-CHEAT NOTCH
		04660169-05	MAINPLATE, CC/MC,STD,DBL OPT
13		06250001	60 OHM, GREEN WIRE
		06250002	200 OHM, GRAY WIRE
14		06250089	14.2 GRAM
		06250264	14.2 GRAM, THICK LEVER
16		09270118	12VDC
		09270144	24VDC
		09270145	12VDC INHIBIT

MATERIAL COLUMN

ITEM	P/N	QTY	MATL DESCRIPTION	ITEM	P/N	QTY	MATL DESCRIPTION
1	04050026	1	SPRING, EXTENSION, 1-3/8, COIL LOCKING	12	04660166	1	HSG, PCB, UNIVERSAL
2	04050027	1	SPRING, COMPRESSION, COIL RETAINING	13	0625XXXX	1	COIL & BRKT, ASSY
3	04060005-01	6	STUD, #6 MTG	14	06250264	1	COIL, ASSY, SENSOR, CC16, 14.2G, 3" LDS
4	04060036	1	INS, NUT, #4-40	14a	06660076	—	DAMPNER WEIGHT, ASSY, 14.2G, THK
5	04060052-01	1	BUSHING, SPRING RETAINING	15	06660038	1	RAIL, ASSY, SM RAIL, STD INSERT
6	04660002	1	STOP, SENSING COIL SAFETY	16	0927XXXX	1	PCB, CTRL
7	04660027-05	1	MAINPLATE, W/ANTI-CHEAT NOTCH	17	436-4	1	NUT, 4-40, HEX, KEPS
8	04660030	1	SHIELD, SENSOR COIL RETAINING	18	P-104-4-3	1	SCREW, 4-40 X 3/16, PHIL, PH, MS
9	04660062-01	1	BRKT, COIL LOCKING	19	P-186-4-3	2	SCREW, 4-40 X 3/16, PHIL, SEMS WASHER
10	04660133	1	SPACER, SENSOR COIL, 1.205 DIA.	20	P-221-4-12	1	SCREW, 4 X 3/4, PHILTYPE, 45, PLASTITE
11	04660165	1	COVER, PCB HSG, UNIVERSAL				

P/N 19300121 - 07/03



COIN MECHANISMS INC.
 P.O. Box 5128, Glendale Heights, IL 60139-5128*1-800/323-6498*FAX 630/924-7088
 E-MAIL coinmech@coinmech.com VISIT OUR WEBSITE AT www.coinmech.com