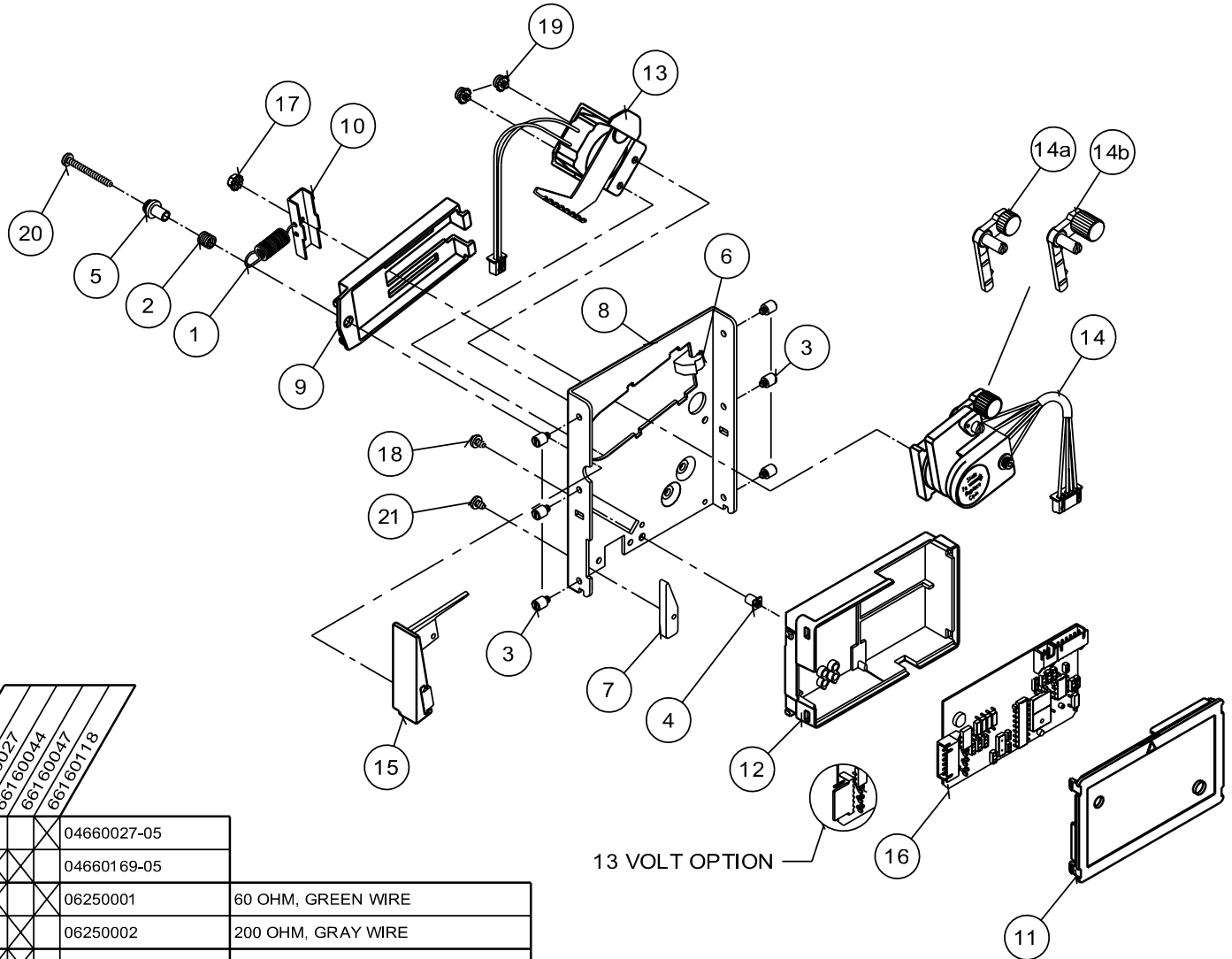


CC-16 25C US TOKEN
PARTS
IDENTIFICATION
(TYPICAL COIN SIZE)



ITEM NO.	66160016	66160027	66160044	66160047	66160118
8	X	X	X	X	X
					04660027-05
					04660169-05
13	X	X	X	X	X
					06250001
					06250002
14	X	X	X	X	X
					06250063
					06250112
16	X	X	X	X	X
					09270118
					09270144
					09270145

MATERIAL COLUMN

ITEM	P/N	QTY	MATL DESCRIPTION	ITEM	P/N	QTY	MATL DESCRIPTION
1	04050031	1	SPRING, EXTENSION, 1-1/16, COIL LOCKING	13	0625XXXX	1	COIL & BRKT, ASSY
2	04050027	1	SPRING, COMPRESSION, COIL RETAINING	14	0625XXXX	1	COIL, ASSY, SENSOR,
3	04060005-01	6	STUD, #6 MTG	14a	06660012	—	DAMPNER WEIGHT, ASSY, 2.6 G
4	04060036	1	INS, NUT, #4-40	14b	06660013	—	DAMPNER WEIGHT, ASSY, 6G
5	04060052-01	1	BUSHING, SPRING RETAINING	15	06660038	1	RAIL, ASSY, SM RAIL, STD INSERT
6	04660002	1	STOP, SENSING COIL SAFETY	16	0927XXXX	1	PCB, CTRL,
7	04660021	1	SPACER, COIN EXIT, .155	17	436-4	1	NUT, 4-40, HEX, KEPS
8	0466XXXX	1	MAINPLATE,	18	P-104-4-3	1	SCREW, 4-40 X 3/16, PHIL, PH, MS
9	04660030	1	SHIELD, SENSOR COIL RETAINING	19	P-186-4-3	2	SCREW, 4-40 X 3/16, PHIL, SEMS WASHER
10	04660062-01	1	BRKT, COIL LOCKING	20	P-221-4-12	1	SCREW, 4 X 3/4, PHILTYPE, 45, PLASTITE
11	04660165	1	COVER, PCB HSG, UNIVERSAL	21	P-221-4-3	1	SCREW, 4 X 3/16, PHILTYPE, 45, PLASTITE
12	04660166	1	HSG, PCB, UNIVERSAL				



COIN MECHANISMS INC.

P.O. Box 5128, Glendale Heights, IL 60139-5128*1-800/323-6498*FAX 630/924-7088
E-MAIL coinmech@coinmech.com VISIT OUR WEBSITE AT www.coinmech.com