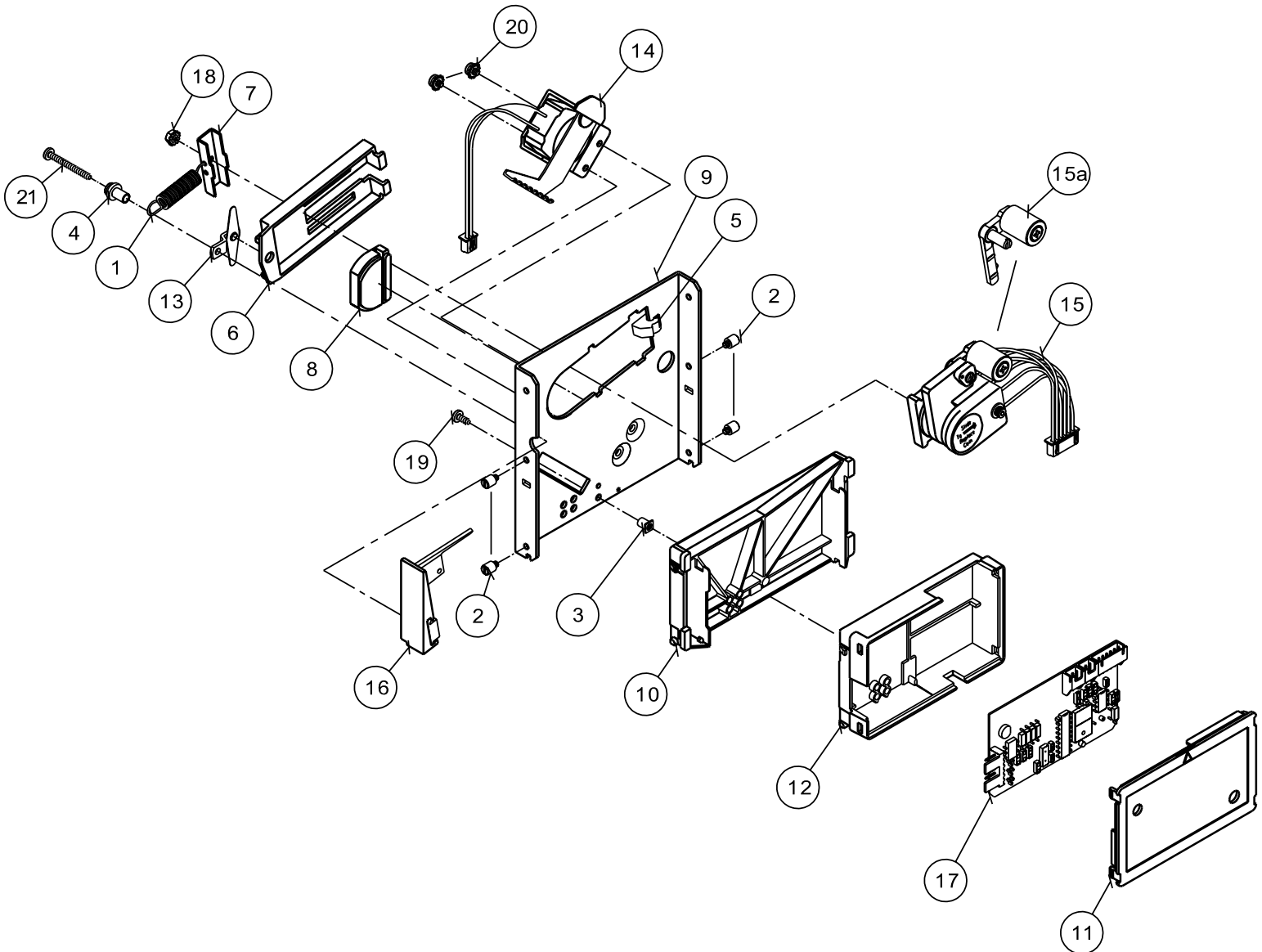


CC-16WB  
P/N 66160132  
PARTS  
IDENTIFICATION



MATERIAL COLUMN

| ITEM | P/N         | QTY | MATL DESCRIPTION                      | ITEM | P/N        | QTY | MATL DESCRIPTION                             |
|------|-------------|-----|---------------------------------------|------|------------|-----|--|
| 1    | 04050026    | 1   | SPRING, EXTENSION,1-3/8, COIL LOCKING | 12   | 04660166   | 1   | HSG, PCB, UNIVERSAL                          |
| 2    | 04060005-01 | 4   | STUD, #6 MTG                          | 13   | 05660028   | 1   | BRKT, ASSY, SPRING, ADAPTOR                  |
| 3    | 04060036    | 1   | INS, NUT, #4-40                       | 14   | 06250103   | 1   | COIL & BRKT, ASSY, GRN, 5, 2PST              |
| 4    | 04060052-01 | 1   | BUSHING, SPRING RETAINING             | 15   | 06250071   | 1   | COIL,ASSY,SENSOR,CC16WB,14G,3"LDS            |
| 5    | 04660002    | 1   | STOP, SENSING COIL SAFETY             | 15a  | 06660076   |     | DAMPER & WGT, ASSY, 14.2 G, THK              |
| 6    | 04660030    | 1   | SHIELD, SENSOR COIL RETAINING         | 16   | 06660022   | 1   | RAIL, ASSY, LG RAIL, STD INSERT              |
| 7    | 04660062-01 | 1   | BRKT, COIL LOCKING                    | 17   | 09270118   | 1   | PCB,CTRL,CC16,12VDC,S12MS,NOI,SC,NCNL        |
| 8    | 04660121    | 1   | SPACER, PRIMARY SENSING COIL, 1.420   | 18   | 436-4      | 1   | NUT, 4-40, HEX, KEPS                         |
| 9    | 04660183-05 | 1   | MAINPLATE,CC/MC/WB                    | 19   | P-104-4-12 | 1   | SCREW, 4 X 7/8, PHIL,                        |
| 10   | 04660164    | 1   | COVERPLATE, WB, UNIVERSAL             | 20   | P-104-4-3  | 2   | SCREW, 4-40 X 3/16, PHIL/SQ, INT SEMS WASHER |
| 11   | 04660165    | 1   | COVER, PCB HOUSING, UNIVERSAL         | 21   | P-186-4-3  | 1   | SCREW, 4-40 X 3/16, PHIL, PH, MS             |



**COIN MECHANISMS INC.**

P.O. Box 5128, Glendale Heights, IL 60139-5128\*1-800/323-6498\*FAX 630/924-7088  
E-MAIL coinmech@coinmech.com VISIT OUR WEBSITE AT www.coinmech.com

P/N 79300121- 7/03 (R1 7230)