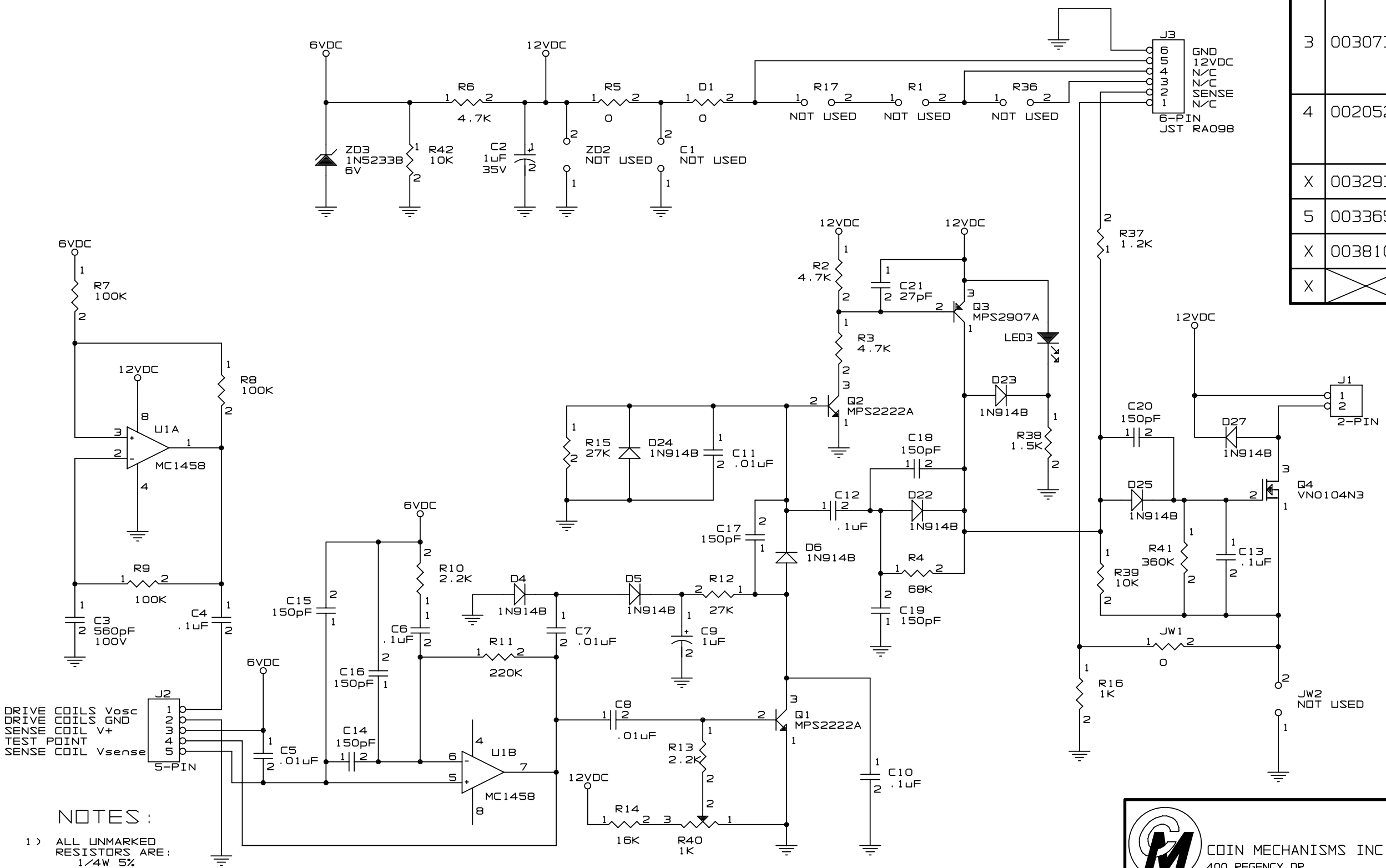



NO.	ECO NO.	REVISIONS	DATE/BY
0	X	NEW RELEASE	11/25/91 KDH
1	00384	R41 WAS 180K	7/24/92 KDH
2	002049	R16 WAS OPEN	2/8/94 KDH
3	003073	REMOVE D26 R11 WAS 100K R13 WAS 100 R14 WAS 12K C8 WAS .1uF RELABEL JUMPER WIRE AS JW1 RELABEL OLD JW1 AS D1 RELABEL JW2 AS R5	3/5/94 SS
4	002052	NEW BLANK PCB (08270034 R4) ADD JW1, JW2, R42 LED P/N WAS LL2203R	7/14/94 SS
X	003293	DESCRIPTION WAS: PCB, CTRL, CC-16, 12VDC, C12MS, INH	8/19/94 SS
5	003365	ADD C14, C15, C16, C17, C18, C19, C20, C21 CHANGE LED3 FROM RED TO GREEN	1/4/95 KDH
X	003810	CHANGE SHEET 2 TO MATCH SILKSCREEN CORRECT SHEET 3	4/11/95 KDH
X		Correct Q3 orientation, correct J1 Pin 1 voltage from 19VDC to 12VDC	2/7/01 BPP



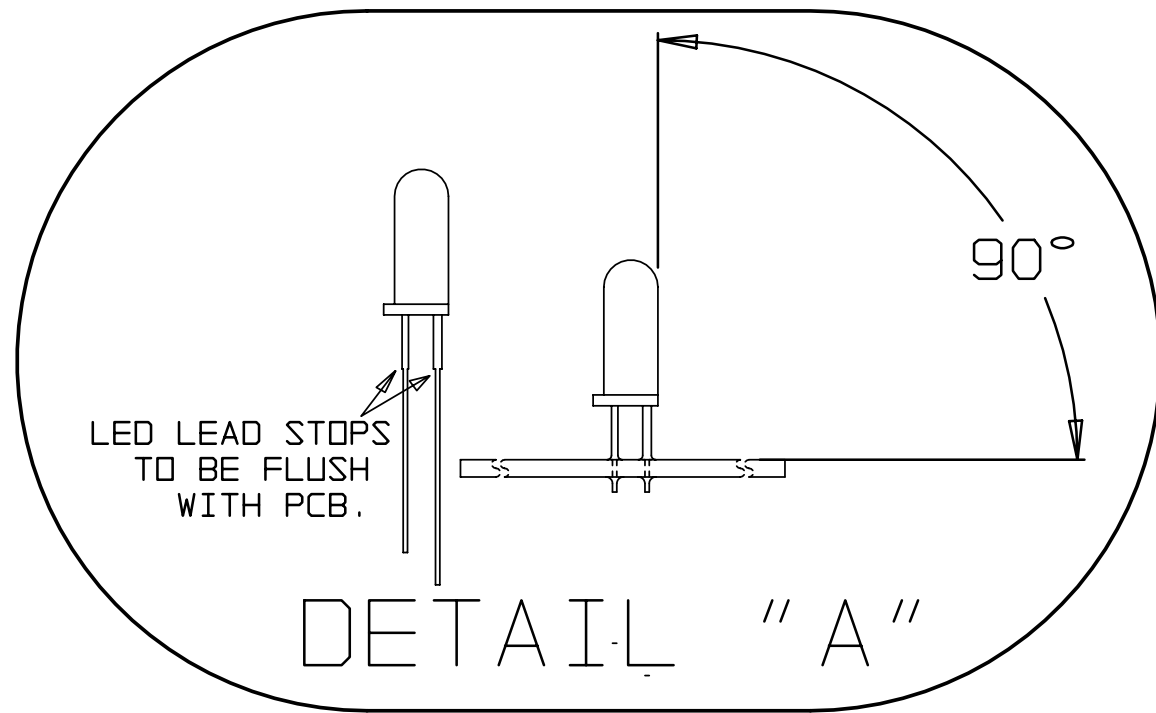
NOTES :

- ALL UNMARKED RESISTORS ARE: 1/4W 5%
- FOR COINS 1.500" IN DIAMETER AND LARGER REMOVE D22

 <p>COIN MECHANISMS INC. 400 REGENCY DR. GLENDALE HGTS, IL</p>	<p>TITLE PCB, CTRL, CC-16, 12VDC, S12MS, INH, SC, NCTL</p>	
	<p>DRAWN KDH</p>	<p>DATE 1/4/95</p>
<p>CHKD</p>	<p>DATE</p>	<p>APP</p>
<p>DWG NO. 09270117</p>	<p>REV 5</p>	<p>COMP NO. XXXXXXXX</p>
<p>SIZE B SCALE X=X</p>	<p>SHT 1 OF 1</p>	<p>DATE</p>

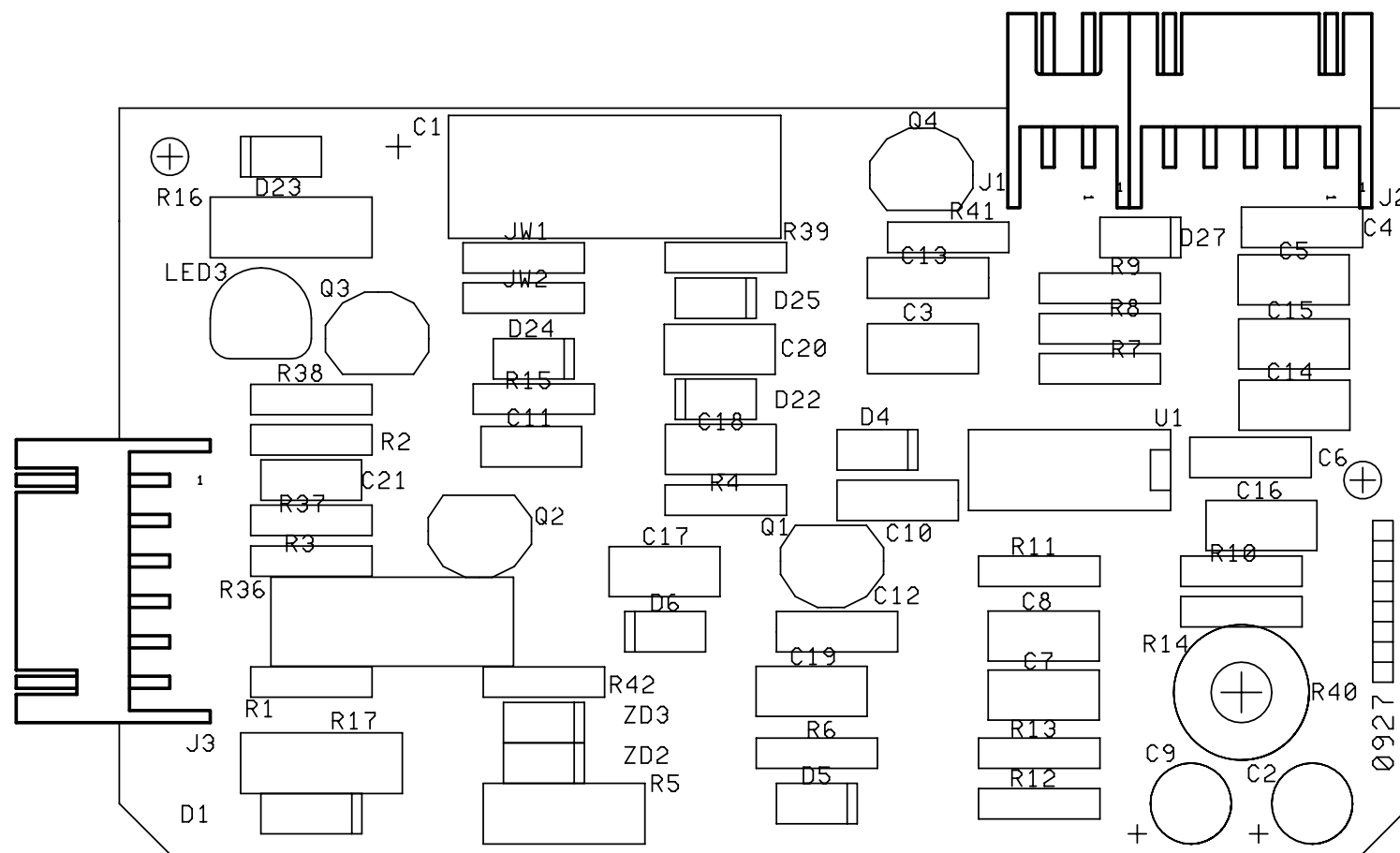
This drawing is the property of and contains proprietary information of Coin Mechanisms, Inc. The drawing shall be returned upon request and is not to be copied or disclosed without written authorization and will not be used in any way detrimental to the interest of Coin Mechanisms, Inc.


NO.	ECD NO.	REVISIONS	DATE/BY
5	003365	SEE SHEET 1	4/10/95 KDH



NOTES:

1. REFER TO SCHEMATIC DIAGRAM AND PARTS LIST FOR REFERENCE DESIGNATIONS AND COMPONENT VALUES
2. MAXIMUM HEIGHT FOR ANY COMPONENT TO BE .35" EXCEPT FOR LED3.
3. MAXIMUM COMPONENT LEAD PROJECTION TO BE .085".
4. SOLDERING SHALL BE IN ACCORDANCE WITH IPC-S-815.
5. ASSEMBLIES TO BE CLEANED OF FLUX AND OTHER CONTAMINANTS AFTER SOLDERING.
6. LED3 TO BE VERTICAL TO PCB DURING SOLDERING PROCESS (SEE DETAIL A).
7. CONNECTORS TO BE FLUSH TO PCB DURING SOLDERING PROCESS.



 COIN MECHANISMS INC. 400 REGENCY DR. GLENDALE HGTS, IL	TITLE PCB, CTRL, CC-16, 12VDC, S12MS, INH, SC, NCTL			
	DRAWN	KDH	DATE	1/4/95
This drawing is the property of and contains proprietary information of Coin Mechanisms, Inc. The drawing shall be returned upon request and is not to be copied or disclosed without written authorization and will not be used in any way detrimental to the interest of Coin Mechanisms, Inc.	CHKD		DATE	
	APP		DATE	
	DWG NO. 09270117			REV 5
	SIZE B	SCALE X=X	COMP NO. XXXXXXXX	SHT 2 OF 3