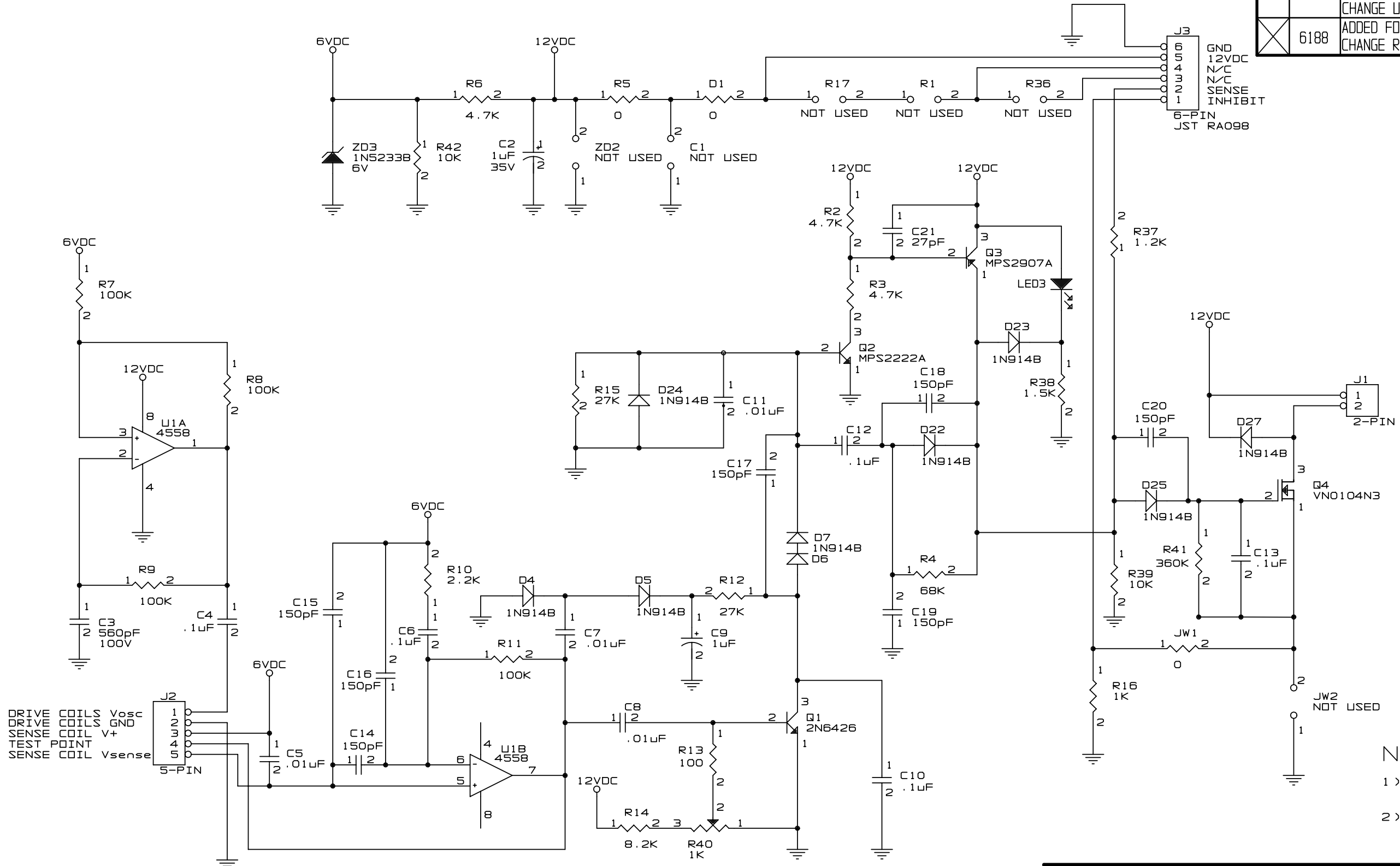



NO.	ECN NO.	REVISIONS	DATE/BY
00	4198	NEW RELEASE - MODIFICATION OF 09270145	4-16-96/LST
01	6150	ADDED D6B, CHANGE R14 FROM 16K TO 8.2K CHANGE Q1 FROM 2222 TO 2N6426 CHANGE U1 FROM 1458 TO 4558	6/15/00 BPP
X	6188	ADDED FOOTPRINT FOR D6B ON ARTWORK. CHANGE REF. DES. TO D7.	7/20/00 BPP

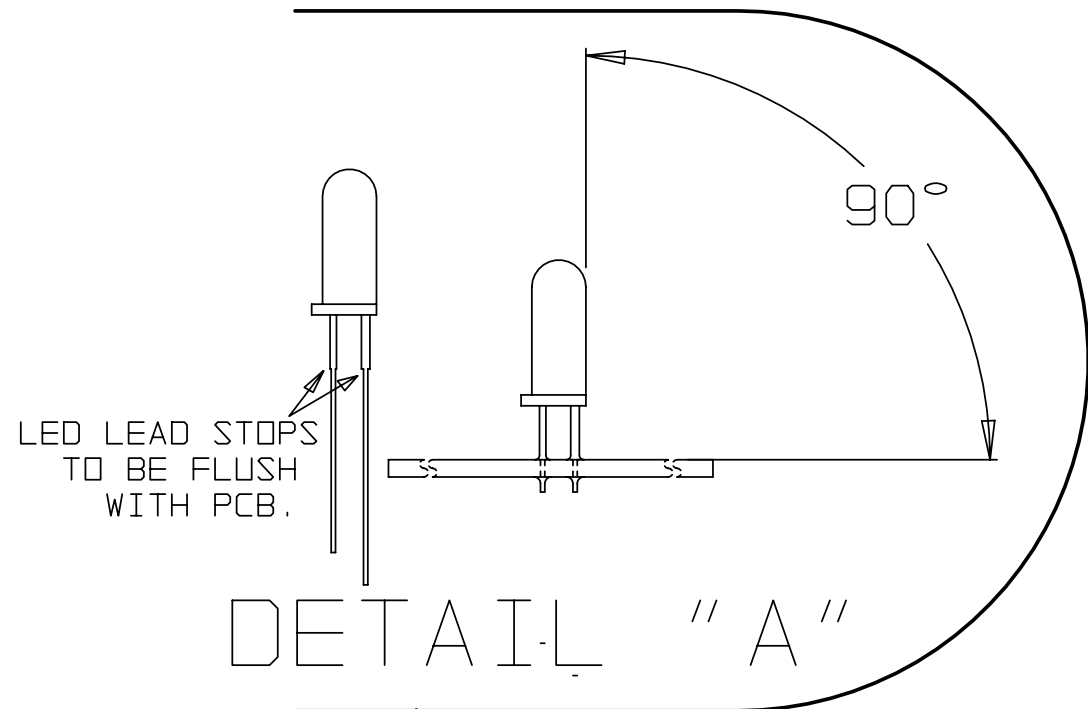


- NOTES :
- 1) ALL UNMARKED RESISTORS ARE 1/4W 5%
  - 2) FOR COINS 1.500" DIA. AND LARGER REMOVE D22

 <b>COIN MECHANISMS INC.</b> 400 REGENCY DR. GLENDALE HGTS, IL	TITLE			
	PCB, CTRL, CC-16, 12VDC, S12MS, INH, SC, NCTL, GAIN 2			
DRAWN	BPP	DATE	6/15/00	
CHKD		DATE		
APP		DATE		
DWG NO.	09270212		REV	1
SIZE B		SCALE X=X	SHT 2 OF 3	

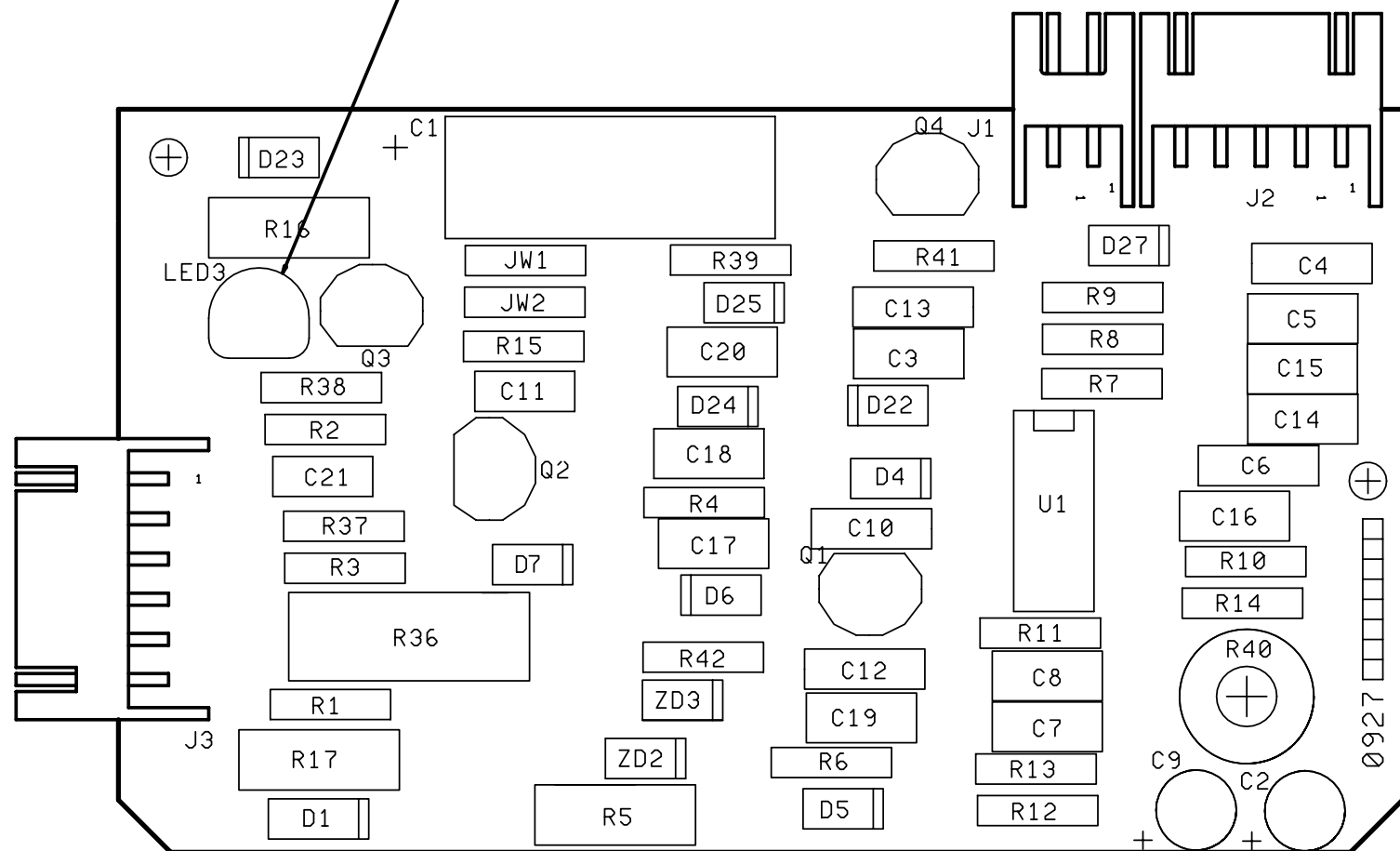
This drawing is the property of and contains proprietary information of Coin Mechanisms, Inc. The drawing shall be returned upon request and is not to be copied or disclosed without written authorization and will not be used in any way detrimental to the interest of Coin Mechanisms, Inc.


NO.	ECO NO.	REVISIONS	DATE/BY
X 006188		SEE SHEET 1	7/20/00 BPP



NOTES:

1. REFER TO SCHEMATIC DIAGRAM AND PARTS LIST FOR REFERENCE DESIGNATIONS AND COMPONENT VALUES
2. MAXIMUM HEIGHT FOR ANY COMPONENT TO BE .35" EXCEPT FOR LED3.
3. MAXIMUM COMPONENT LEAD PROJECTION TO BE .085".
4. SOLDERING SHALL BE IN ACCORDANCE WITH IPC-S-815.
5. ASSEMBLIES TO BE CLEANED OF FLUX AND OTHER CONTAMINANTS AFTER SOLDERING.
6. LED3 TO BE VERTICAL TO PCB DURING SOLDERING PROCESS (SEE DETAIL A).
7. CONNECTORS TO BE FLUSH TO PCB DURING SOLDERING PROCESS.



 COIN MECHANISMS INC. 400 REGENCY DR. GLENDALE HGTS, IL	TITLE PCB, CTRL, CC-16, 12VDC, S12MS, INH, SC, NCTL, GAIN 2		
	DRAWN	BPP	DATE 6/15/00
This drawing is the property of and contains proprietary information of Coin Mechanisms, Inc. The drawing shall be returned upon request and is not to be copied or disclosed without written authorization and will not be used in any way detrimental to the interest of Coin Mechanisms, Inc.	CHKD		DATE
	APP		DATE
	DWG NO. 09270212		REV 1
	SIZE B	SCALE X=X	COMP NO. XXXXXXXX