

ECC 35

EF89

EF89

EF80

EB91

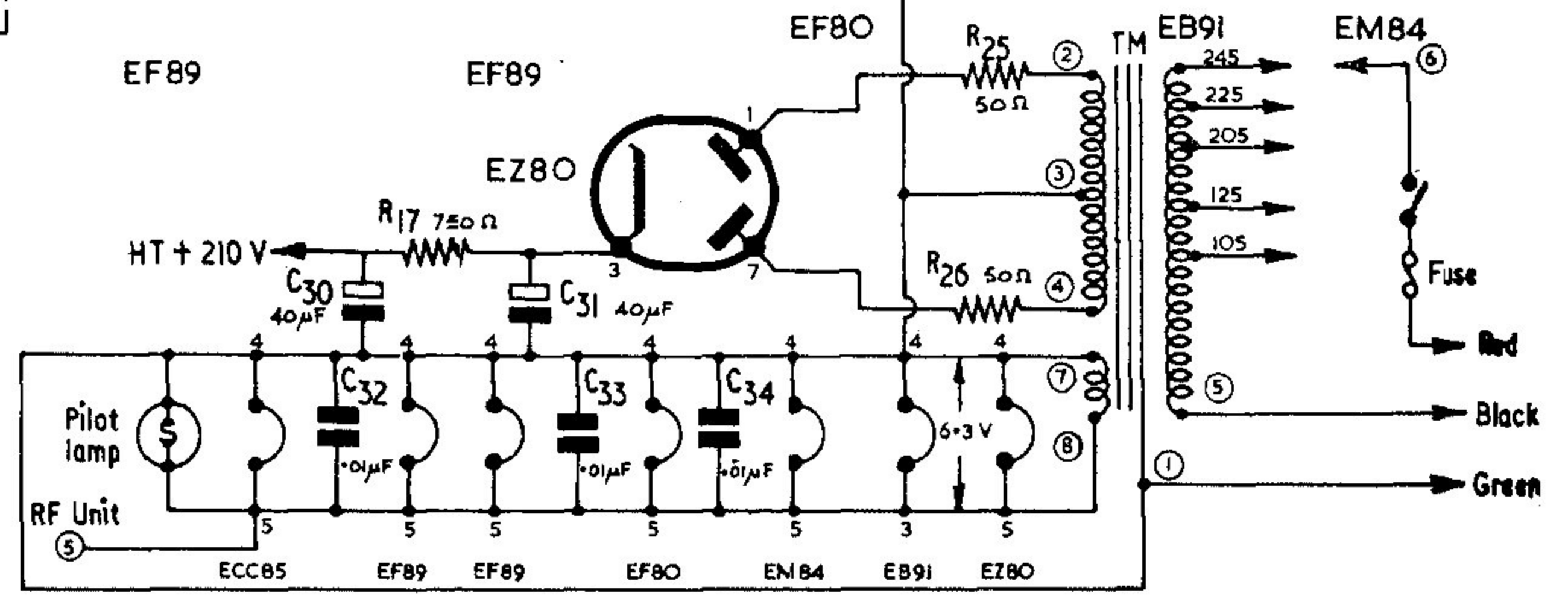
EM84

EZ80

FIG. 8.

CIRCUIT DIAGRAM FOR 'HEATHKIT' FM TUNER

MODEL FM - 4U



HT + 210 V

Pilot lamp

RF Unit

ECC85

EF89

EF89

EF80

EM84

EB91

EZ80

Fuse

Red

Black

Green