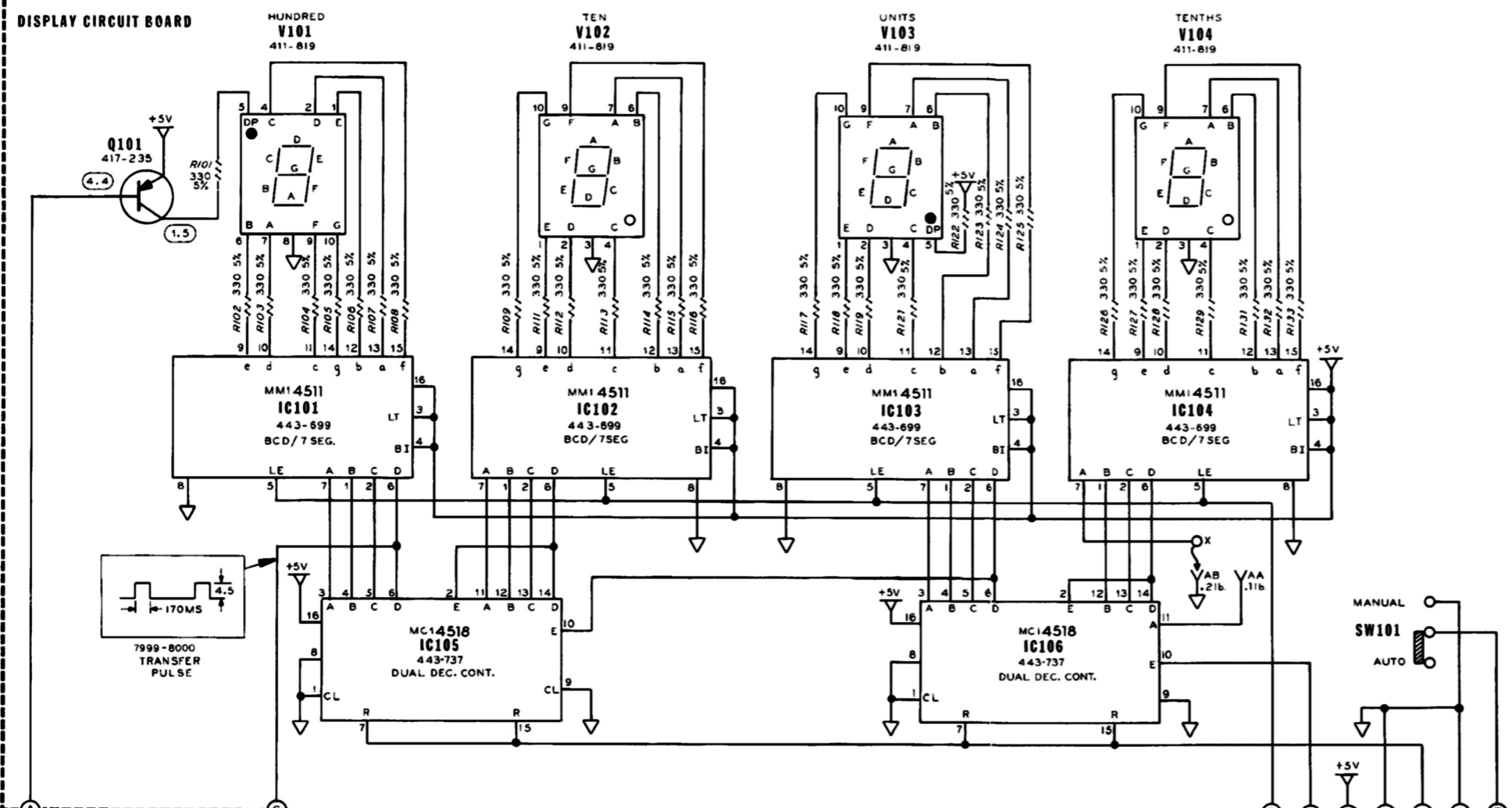


DISPLAY CIRCUIT BOARD



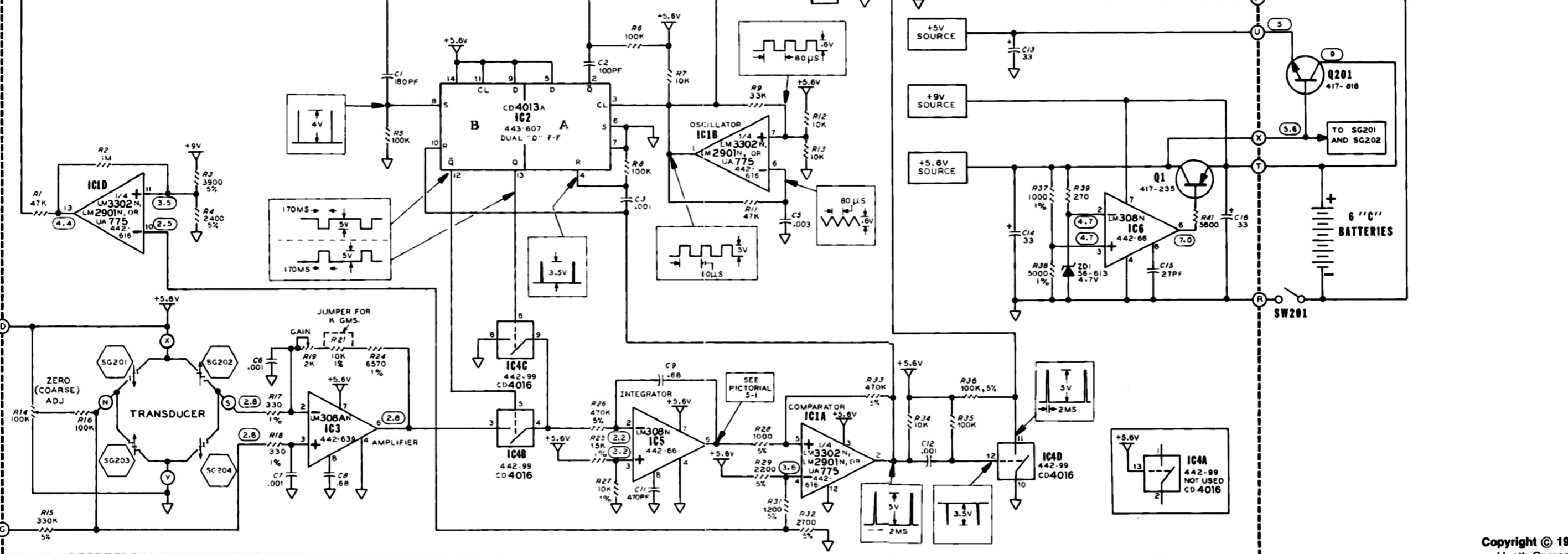
**SCHEMATIC OF THE
HEATHKIT®
DIGITAL SCALE
MODEL GD-1186**

Part of 595-1948-01

NOTES:

1. ALL RESISTOR VALUES ARE IN OHMS (k=1000;M=1,000,000).
2. ALL CAPACITOR VALUES LESS THAN 1 ARE IN μ F. CAPACITOR VALUES LARGER THAN 1 ARE IN pF.
3. REFER TO THE X-RAY VIEWS FOR THE PHYSICAL LOCATION OF PARTS.
4. ○ THIS SYMBOL INDICATES A LETTERED CIRCUIT BOARD CONNECTION.
5. △ THIS SYMBOL INDICATES CIRCUIT BOARD GROUND.
6. ▭ THIS SYMBOL INDICATES A DC VOLTAGE TAKEN WITH A HIGH IMPEDANCE VOLTMETER FROM THE POINT INDICATED TO CIRCUIT BOARD GROUND. VOLTAGES MAY VARY $\pm 20\%$. THE VOLTAGES WERE TAKEN WITH NO WEIGHT APPLIED TO THE SCALE.
7. WAVEFORMS WERE TAKEN AT THE POINT INDICATED. THE AMPLITUDE IS SHOWN AS PEAK-TO-PEAK VOLTAGE. THE WAVEFORMS WERE TAKEN WITH NO WEIGHT APPLIED TO THE SCALE.
8. ⬡ SG201 AND SG204 ARE MOUNTED ON THE BOTTOM OF THE METAL BEAM. SG202 AND SG203 ARE MOUNTED ON TOP. THIS IS NOT A PART OF THE A TO D CIRCUIT BOARD.

A TO D CIRCUIT BOARD



A TO D CIRCUIT BOARD

