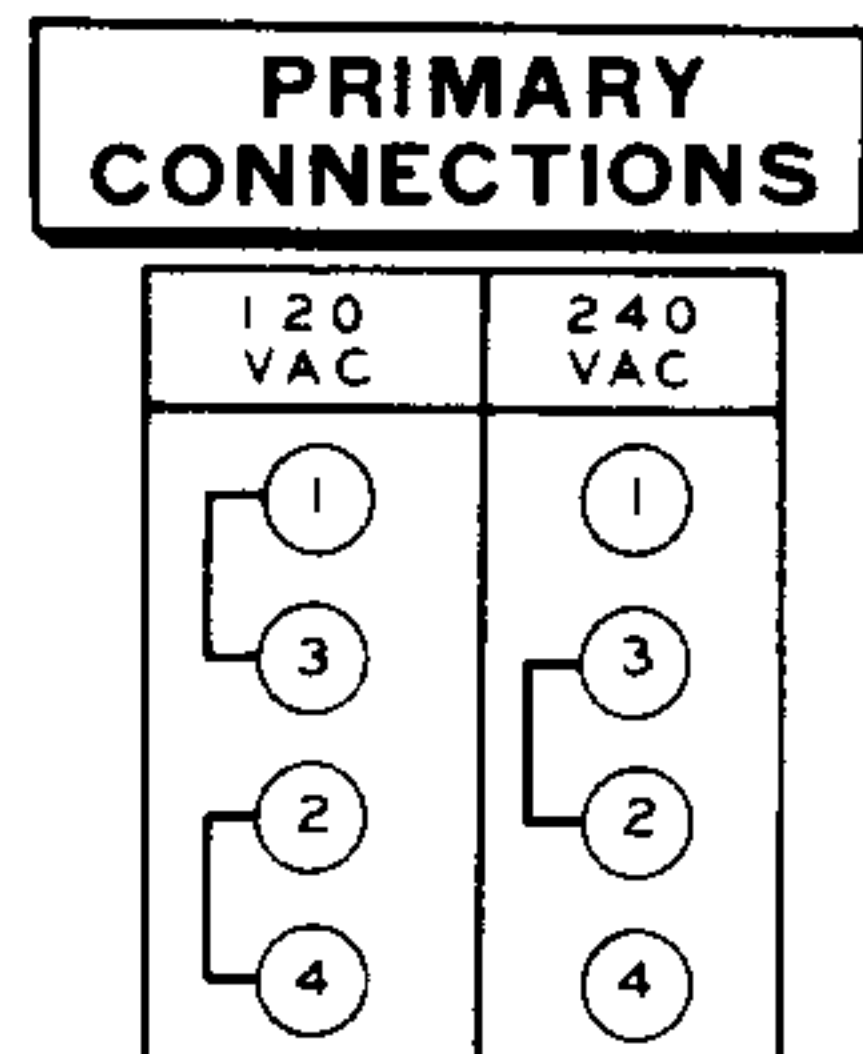
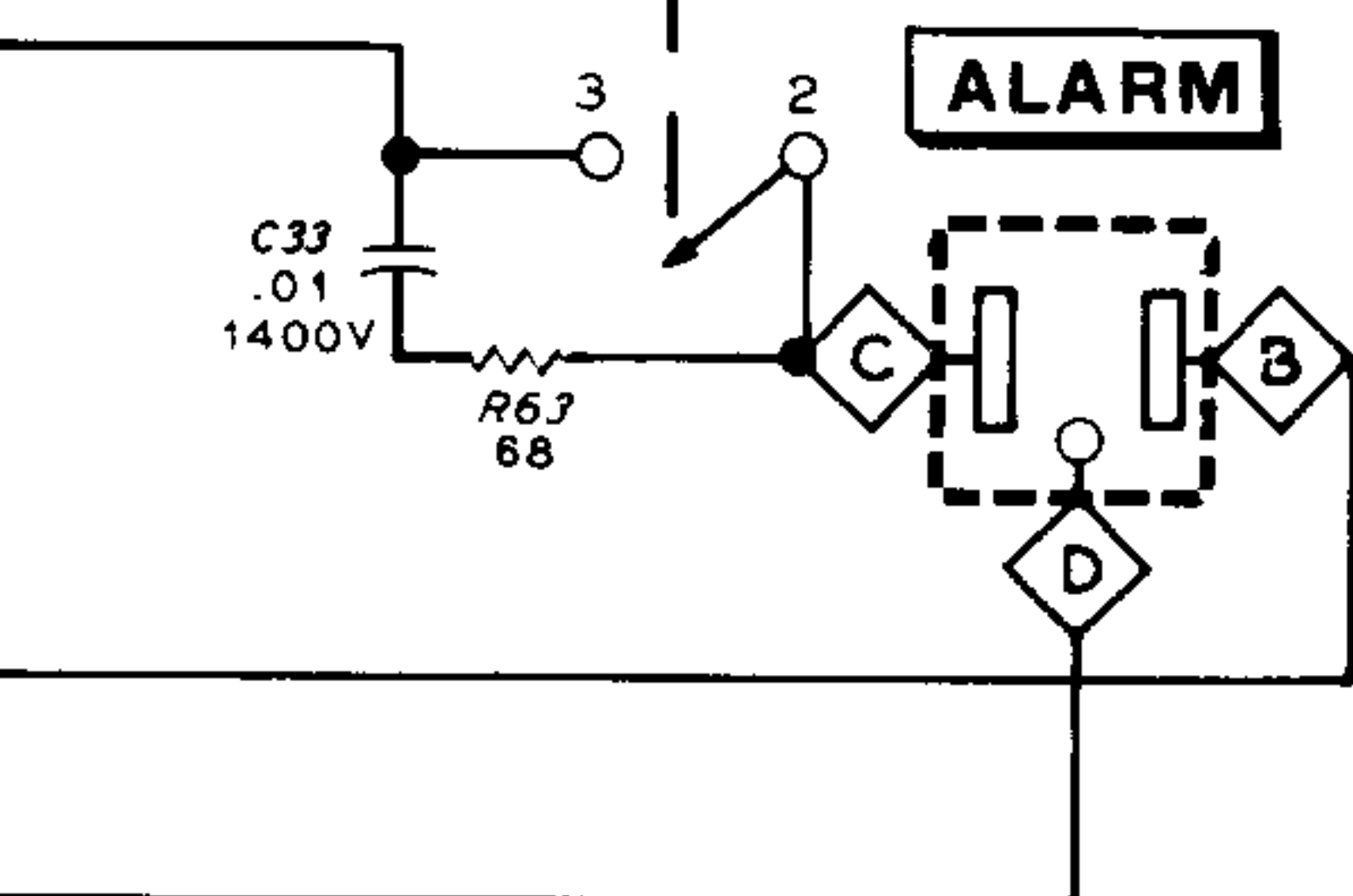
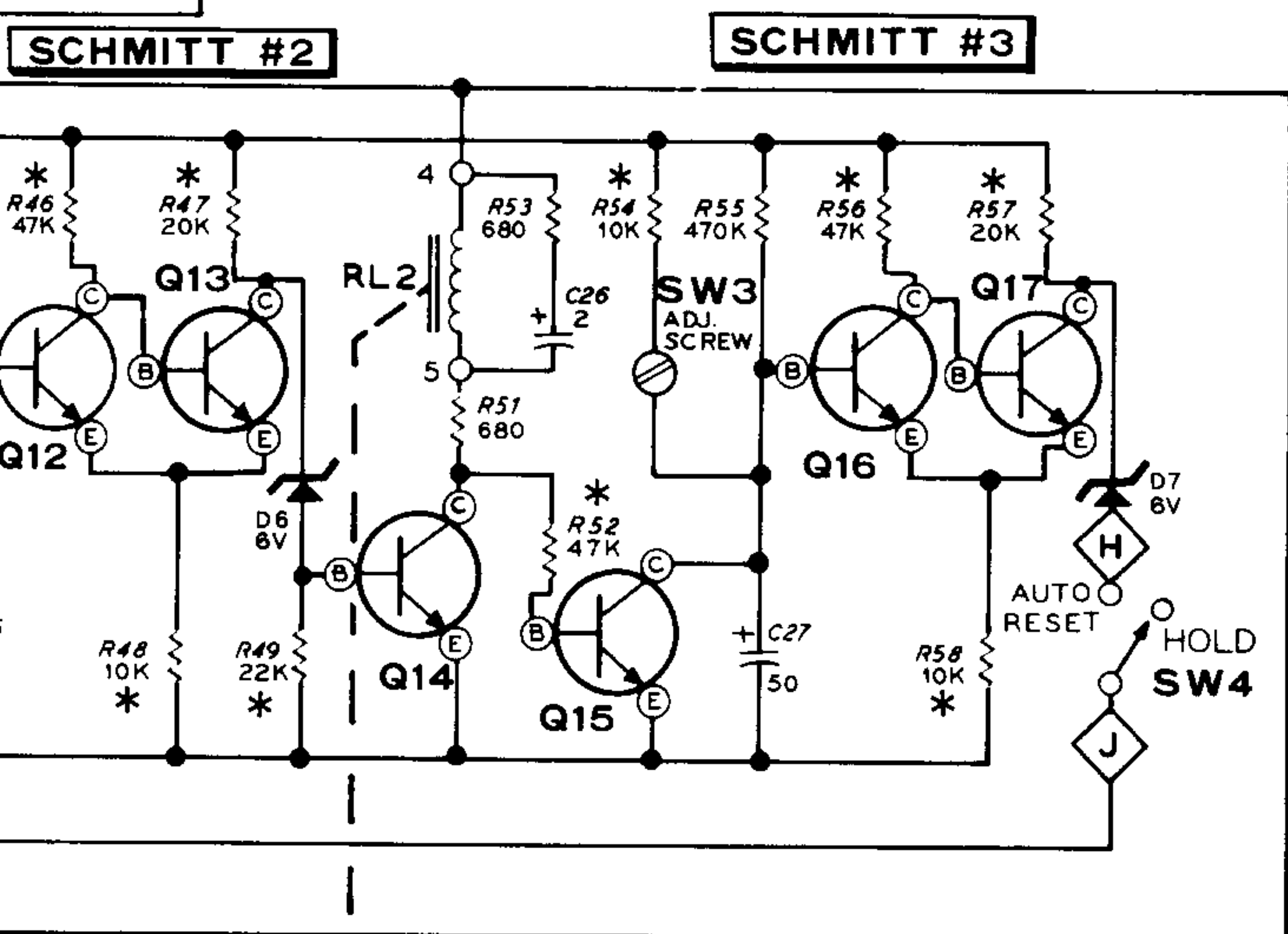
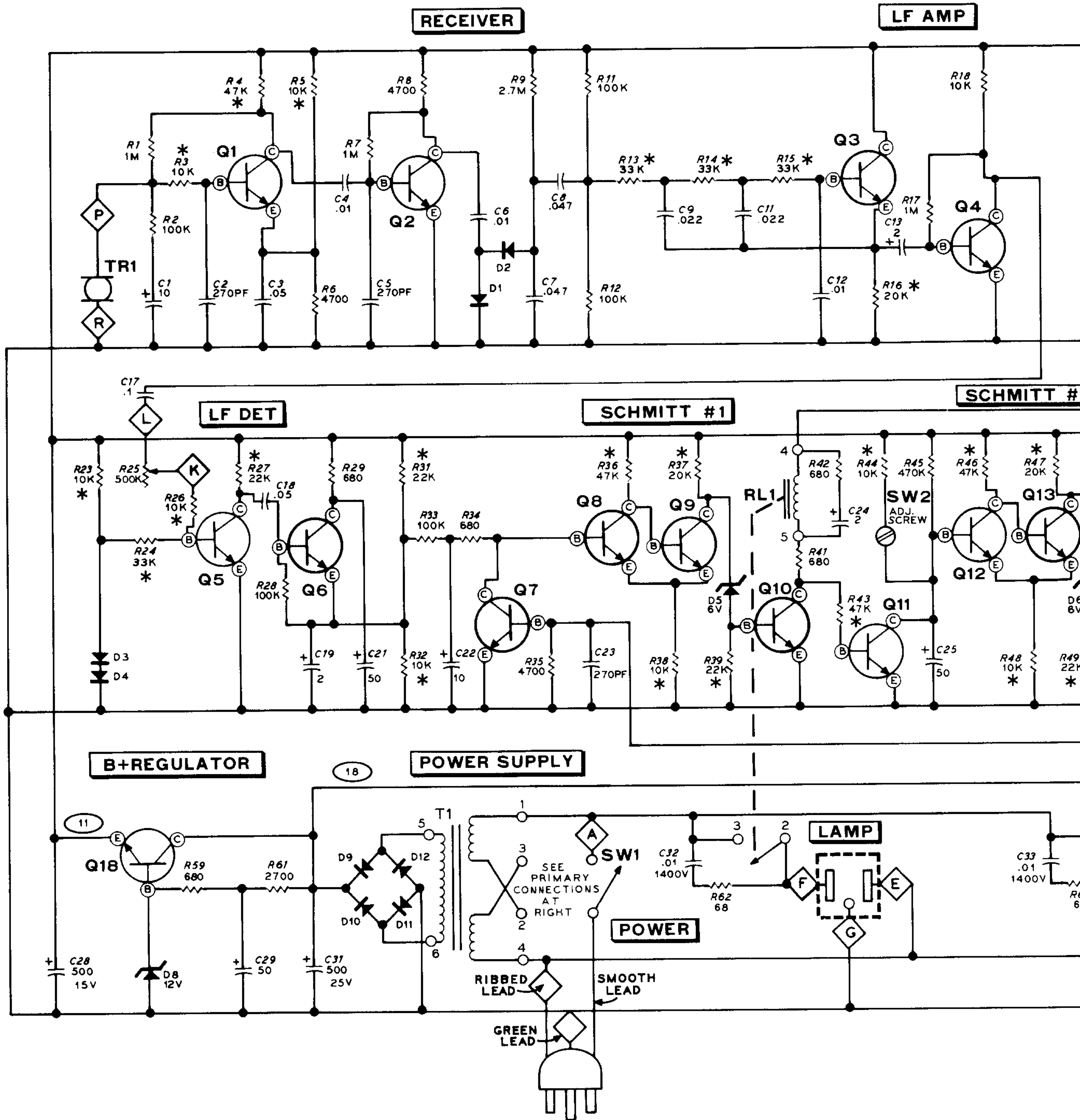


**SCHEMATIC OF THE
HEATHKIT®
MODEL GD-39
ULTRASONIC INTRUSION ALARM**

NOTES:

1. ALL RESISTORS ARE 1/2 WATT. RESISTOR VALUES ARE IN OHMS UNLESS OTHERWISE MARKED (K=1,000; M=1,000,000.) 5% TOLERANCE RESISTORS ARE MARKED WITH AN ASTERISK.
2. ALL CAPACITOR VALUES ARE IN μF UNLESS OTHERWISE MARKED.
3. SYMBOLS:
 - * 5% TOLERANCE RESISTORS (4th BAND GOLD)
 - ◇ A CIRCUIT BOARD CONNECTION HOLE. A LETTER IN THE SQUARE IS THE LETTER PRINTED ON THE CIRCUIT BOARD.
 - TRANSDUCER.
 - A DC VOLTAGE OF THE SAME VALUE AS THE CONTAINED NUMBER.
 - ⊞ AC SOCKET.
4. REFER TO THE TRANSISTOR AND DIODE IDENTIFICATION CHART FOR IDENTIFICATION INFORMATION OF THESE DEVICES.
5. REFER TO THE X-RAY VIEWS AND THE CHASSIS PHOTOGRAPH FOR THE PHYSICAL LOCATION OF PARTS.
6. REFER TO THE VOLTAGE CHART FOR VOLTAGES AT TRANSISTOR BASES AND DIODE LEADS.





Assembly and Operation of the



ULTRASONIC INTRUSION ALARM

MODEL GD-39

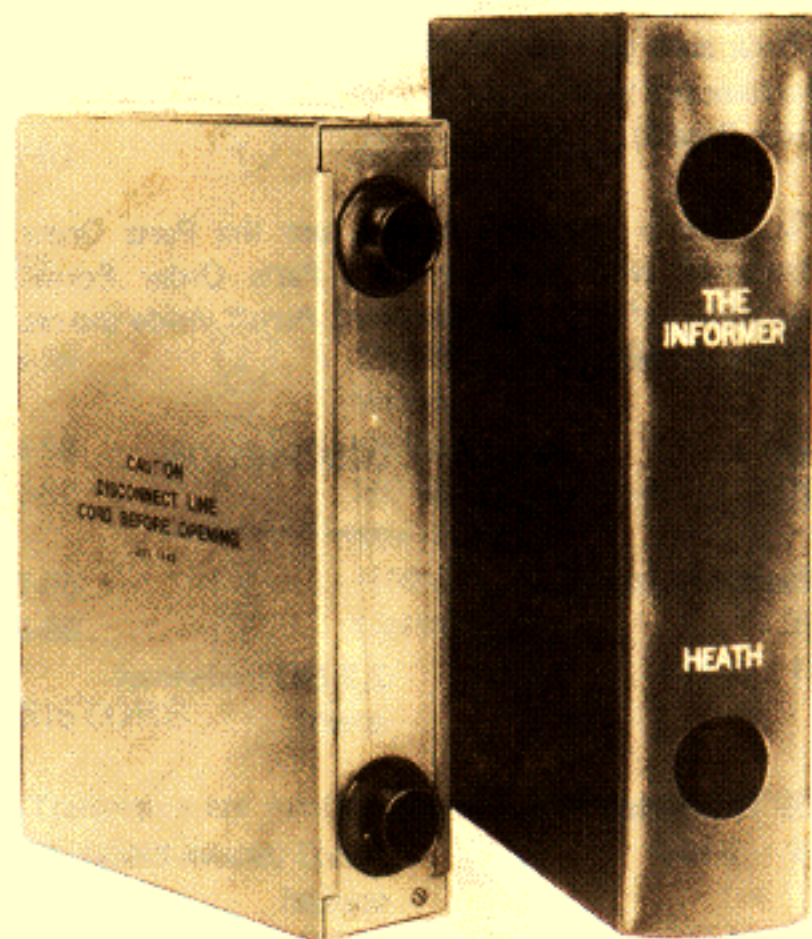

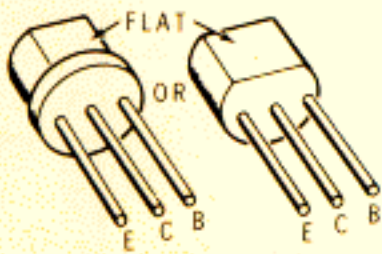


TABLE OF CONTENTS

| | |
|---|--------------------|
| Introduction | 2 |
| Parts List | 2 |
| Step-by-Step Assembly | 4 |
| Transformer Primary Wiring | 14 |
| Chassis Notes | 15 |
| Chassis Parts Mounting | 15 |
| Tests and Adjustments | 20 |
| Final Assembly | 22 |
| Installation | 23 |
| Operation | 25 |
| In Case of Difficulty | 26 |
| Troubleshooting Chart | 27 |
| Specifications | 30 |
| Circuit Description | 31 |
| Circuit Board X-Ray Views | 33 |
| Chassis Photograph | 36 |
| Voltage Charts | 37 |
| Schematic. . . (fold-out from page) | 39 |
| Warranty | Inside front cover |
| Customer Service | Inside rear cover |

TRANSISTOR AND DIODE IDENTIFICATION

| COMPONENT | HEATH PART NUMBER | REPLACEMENT TYPE | IDENTIFICATION |
|-------------------|-------------------|----------------------------------|---|
| D1, D2 | 56-26 | 1N191 (BROWN-WHITE-BROWN) | <p>HEATH PART NUMBERS OR THE TYPE NUMBERS ARE STAMPED ON MOST DIODES.</p> <p>NOTE: DIODES MAY BE SUPPLIED IN ANY OF THE FOLLOWING SHAPES. ALWAYS POSITION THE BANDED END AS SHOWN ON THE CIRCUIT BOARD.</p>  <p style="text-align: center;">BAND OR BANDS</p> |
| D3, D4 | 56-56 | 1N4149 | |
| D5, D6, D7 | 56-58 | 1N709A | |
| D9, D10, D11, D12 | 57-65 | 1N4002 | |
| D8 | 56-57 | 1N716A (VIOLET-BROWN-BLUE-BROWN) | |
| Q1, Q2 | 417-91 | 2N5232A |  <p style="text-align: center;">FLAT OR</p> |
| Q3 THRU Q9 | 417-118 | 2N3393 | |