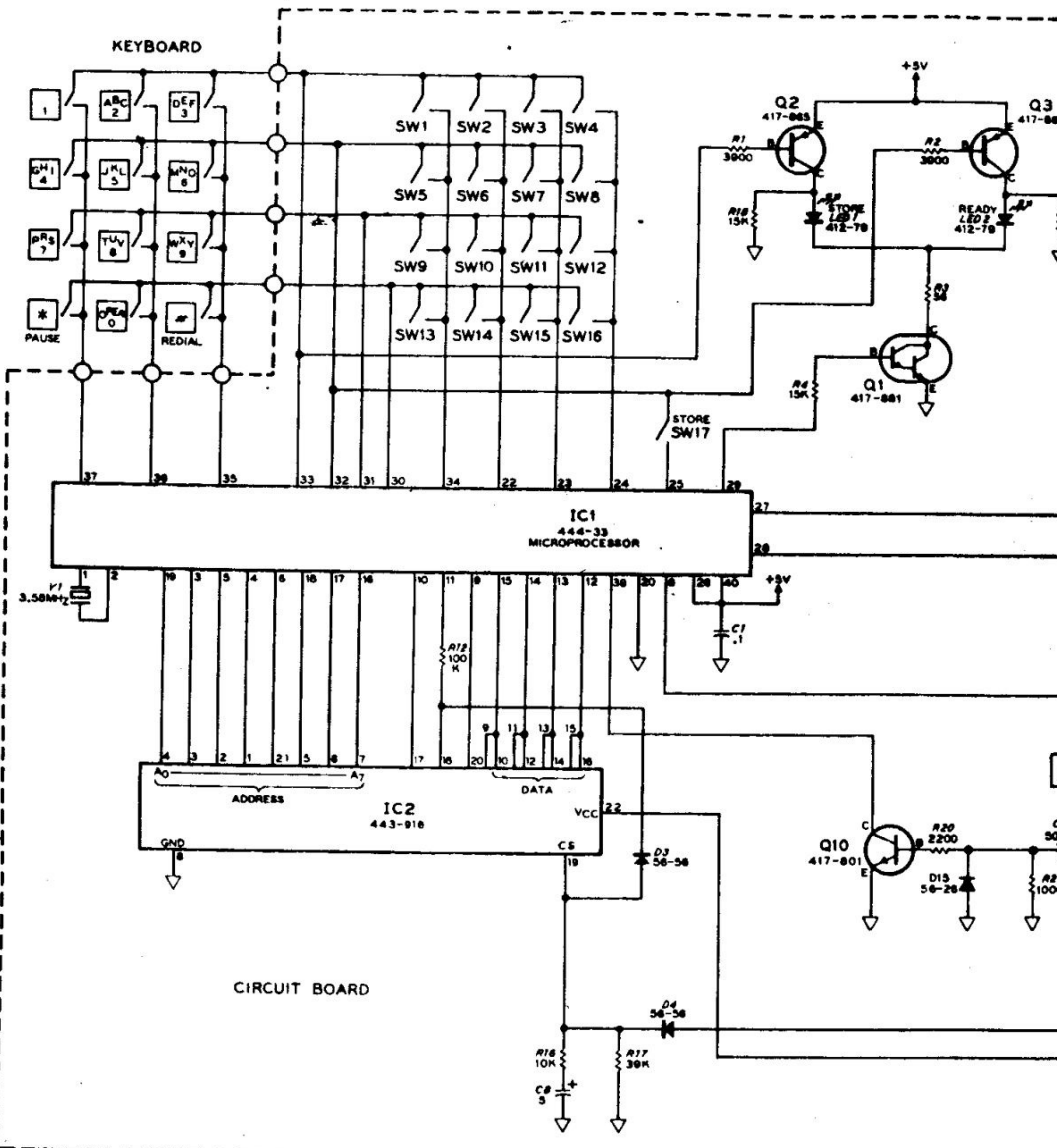


**SCHEMATIC OF THE  
HEATHKIT®  
ELECTRONIC DIRECTORY/DIALER  
MODEL GT-1217**

**NOTES:**

1. ALL RESISTORS ARE 1/4-WATT, 5%. RESISTOR VALUES ARE IN OHMS (K-1,000; M-1,000,000).
2. ALL CAPACITORS ARE IN  $\mu$ F.
3. ○ THIS SYMBOL INDICATES A DC VOLTAGE TAKEN UNDER NORMAL OPERATING CONDITIONS.

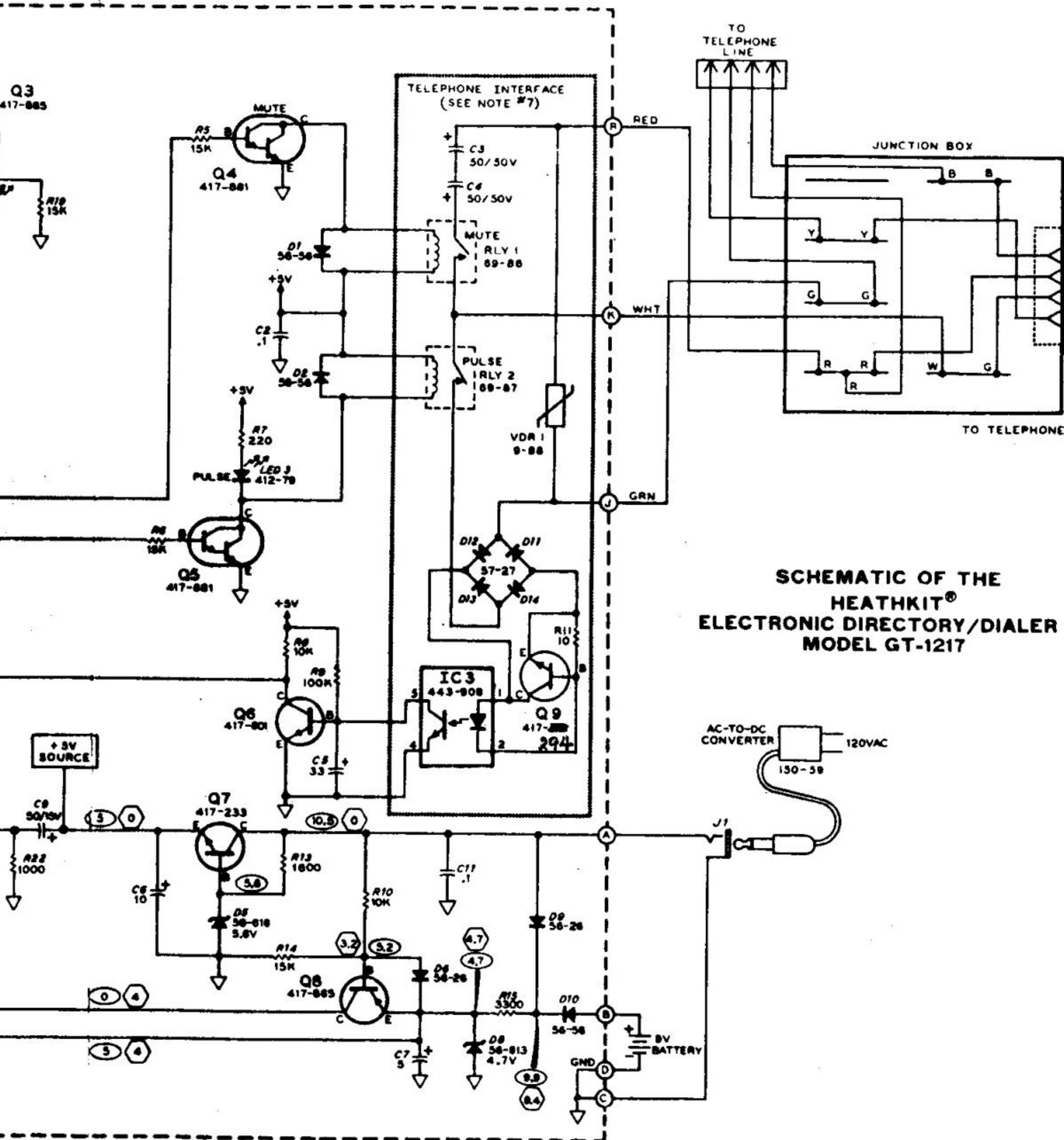
4. ◻ THIS SYMBOL INDICATES A DC VOLTAGE TAKEN DURING BATTERY OPERATION.
5. ▽ THIS SYMBOL INDICATES CIRCUIT BOARD GROUND.
6. RELAYS SHOWN IN NORMAL (UNENERGIZED) POSITION.
7. TELEPHONE INTERFACE CIRCUITRY - REPLACE WITH SAME RATED PARTS, OR CORRECT HEATH COMPANY PART. FAILURE TO DO SO WILL VOID FCC REGULATIONS.



**NOTES:**

1. ALL RESISTORS ARE 1/4-WATT, 5%. RESISTOR VALUES ARE IN OHMS (K-1000; M-1,000,000).
2. ALL CAPACITORS ARE IN  $\mu$ F.
3. THIS SYMBOL INDICATES A DC VOLTAGE TAKEN UNDER NORMAL OPERATING CONDITIONS.

4. THIS SYMBOL INDICATES BATTERY OPERATION.
5. THIS SYMBOL INDICATES
6. RELAYS SHOWN IN NORMAL
7. TELEPHONE INTERFACE CIRCUIT RATED PARTS, OR CORRECT FAILURE TO DO SO WILL VOID



SCHEMATIC OF THE  
HEATHKIT®  
ELECTRONIC DIRECTORY/DIALER  
MODEL GT-1217

...ATES A DC VOLTAGE TAKEN DURING

...ATES CIRCUIT BOARD GROUND.

...ORMAL (UNENERGIZED) POSITION.

...CIRCUITRY - REPLACE WITH SAME  
...RECT HEATH COMPANY PART.  
...L VOID FCC REGULATIONS.