

## NOTES

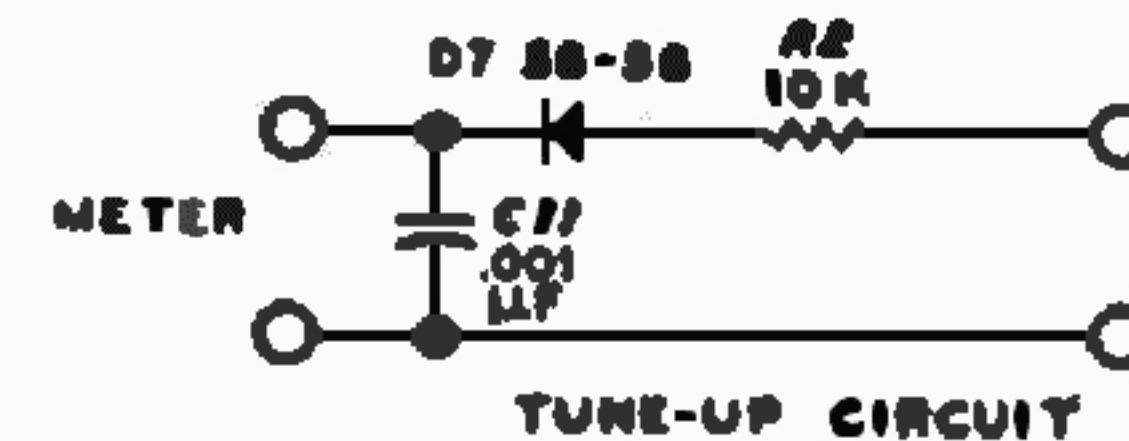
1. RESISTORS ARE 1/2 WATT UNLESS OTHERWISE NOTED.
2. CAPACITORS ARE IN pF UNLESS OTHERWISE NOTED.
3. VOLTAGES ARE TAKEN WITH A HIGH IMPEDANCE INPUT VTVM FROM THE POINT INDICATED TO CHASSIS GROUND.
4. SYMBOLS USED:

□ CIRCUIT BOARD CONNECTION.

▽ CIRCUIT BOARD GROUND.

≡ CHASSIS GROUND

FB FERRITE BEAD.



**SCHEMATIC OF THE  
HEATHKIT®  
2-METER AMPLIFIER  
MODEL HA-201**