

# ***specifications***

FOR THE



*Pioneer And World-Leader in Electronic Kits*



## **CODE OSCILLATOR**

Model HD-16



All prices are subject to change without notice. The Heath Company reserves the right to discontinue instruments and to change specifications at any time.

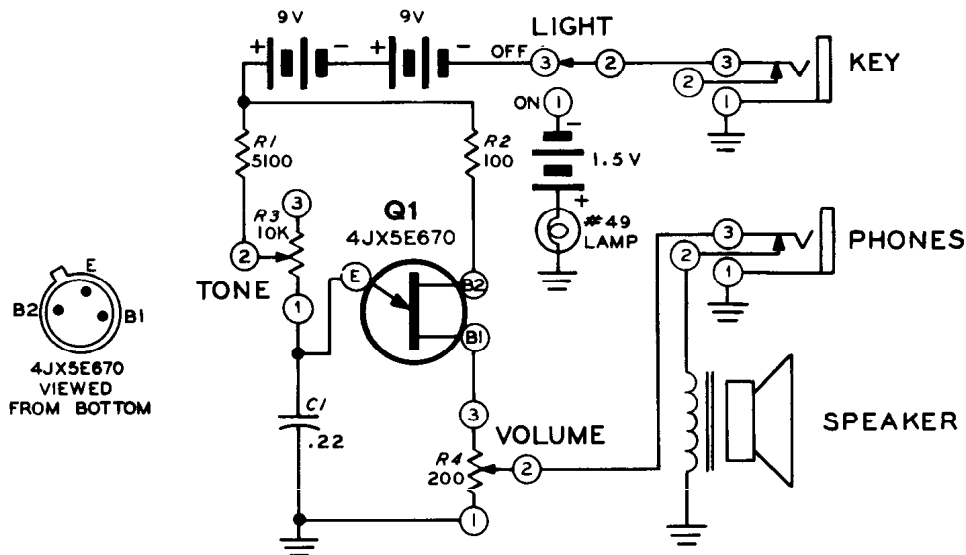
**HEATH COMPANY**  
BENTON HARBOR,  
MICHIGAN

# SPECIFICATIONS

Modes Of Operation. . . . .	Audible tone from speaker or headphones. Visual indication from lamp.
Tone Frequency. . . . .	500 Hz nominal center frequency (adjustable).
Controls. . . . .	Volume control, Tone control, Light switch (Off-On).
Front Panel Connections. . . . .	Key jack (key furnished). Phones jack.
Speaker. . . . .	130 ohms, permanent magnet type.
Transistor. . . . .	4JX5E670, GE unijunction.
Batteries Required (not supplied). . . . .	1 - C cell (1.5 volt). 2 - #9-volt transistor batteries (NEDA #1604, or equivalent).
Color. . . . .	Dark green and pale gray. Wrinkle enamel finish.
Dimensions. . . . .	4-5/8" wide x 4-1/4" high x 4-3/4" deep (phone plug not inserted).
Net weight. . . . .	1-1/3 lbs.

The Heath Company reserves the right to discontinue instruments and to change specifications at any time without incurring any obligation to in-

corporate new features in instruments previously sold.



**SCHEMATIC OF THE  
HEATHKIT®  
CODE OSCILLATOR  
MODEL HD-16**

- NOTES:  
 1. ALL RESISTORS ARE 1/2 WATT.  
 2. ALL RESISTOR VALUES ARE IN OHMS (K=1000).  
 3. ALL CAPACITOR VALUES ARE IN  $\mu$ fd.