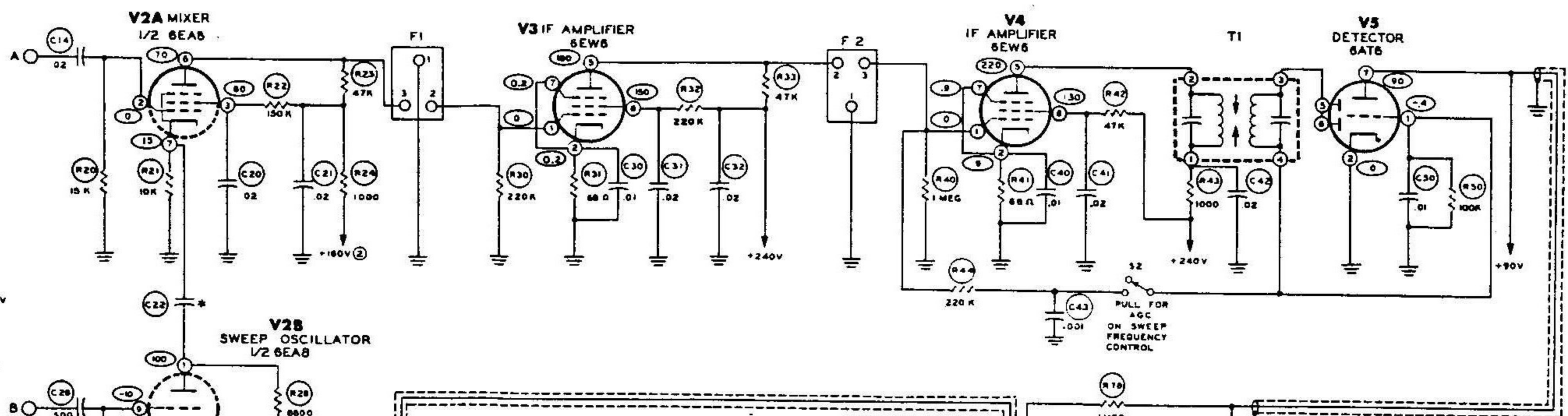
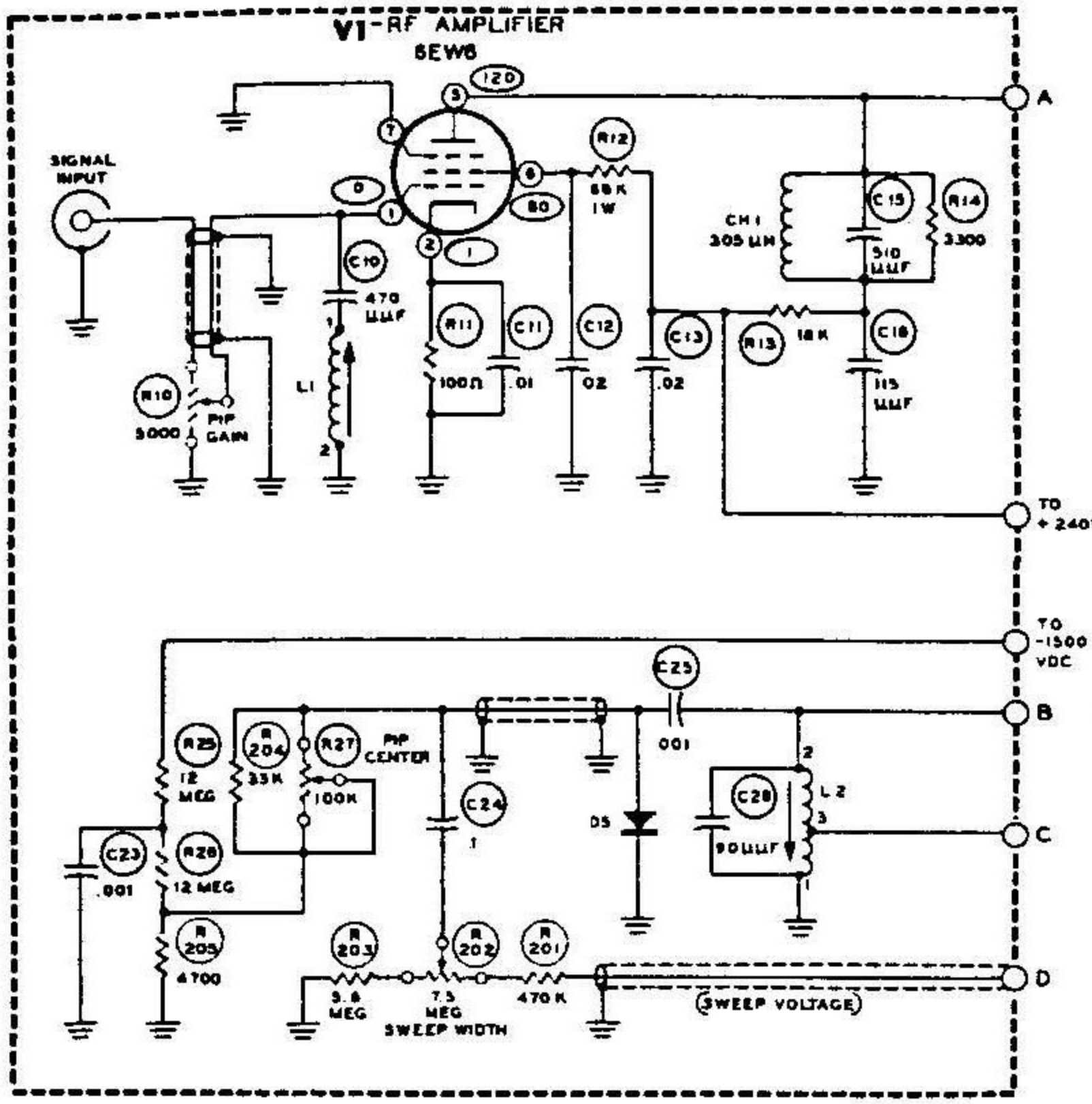
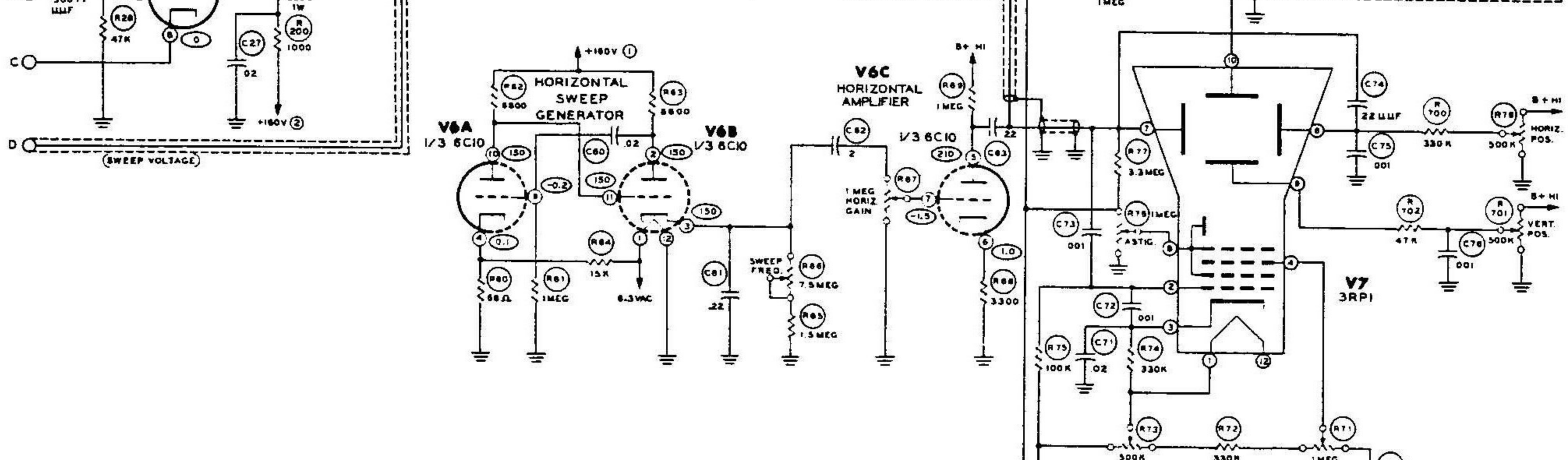
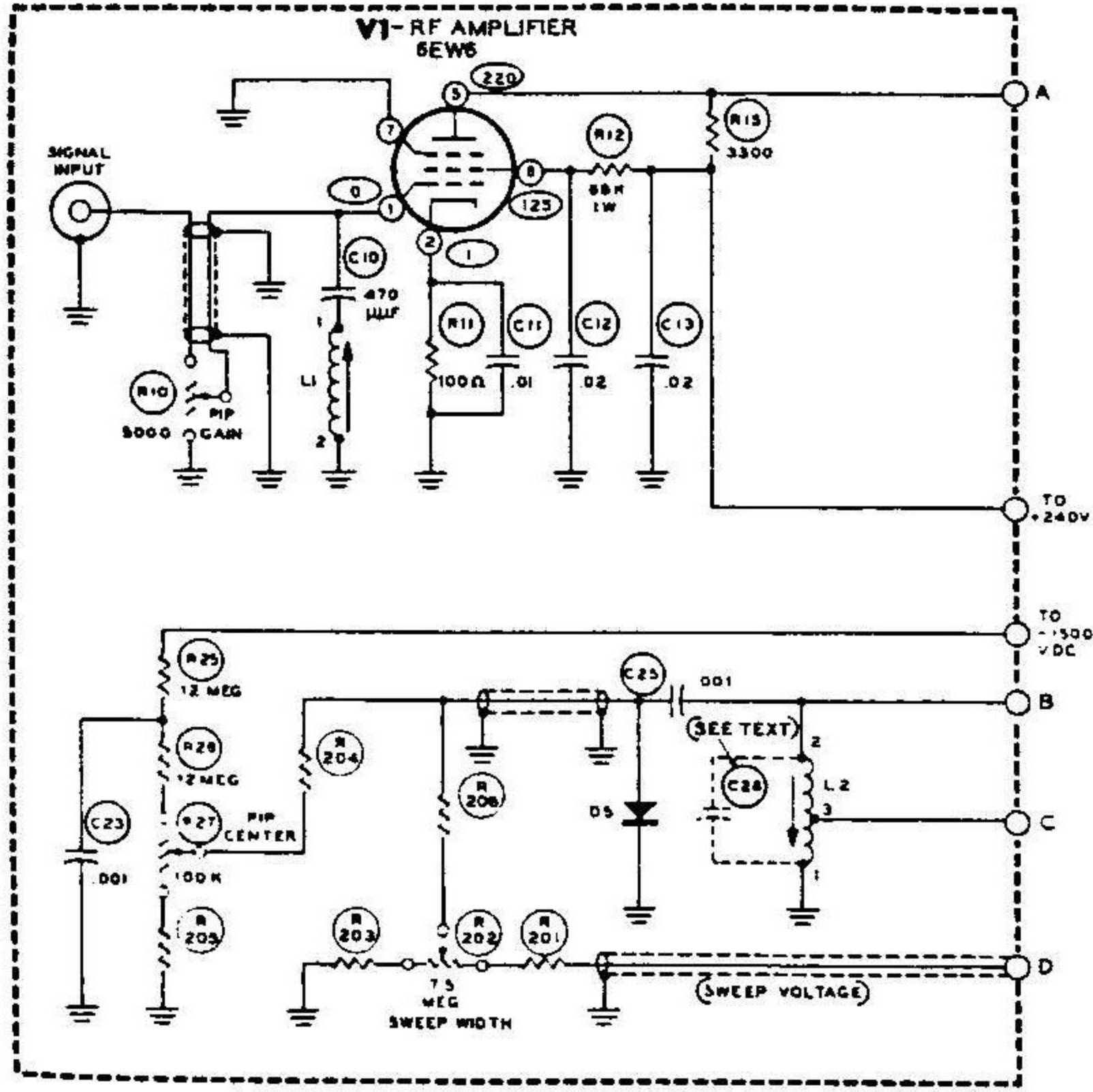


455 KC ONLY



OTHER THAN 455 KC

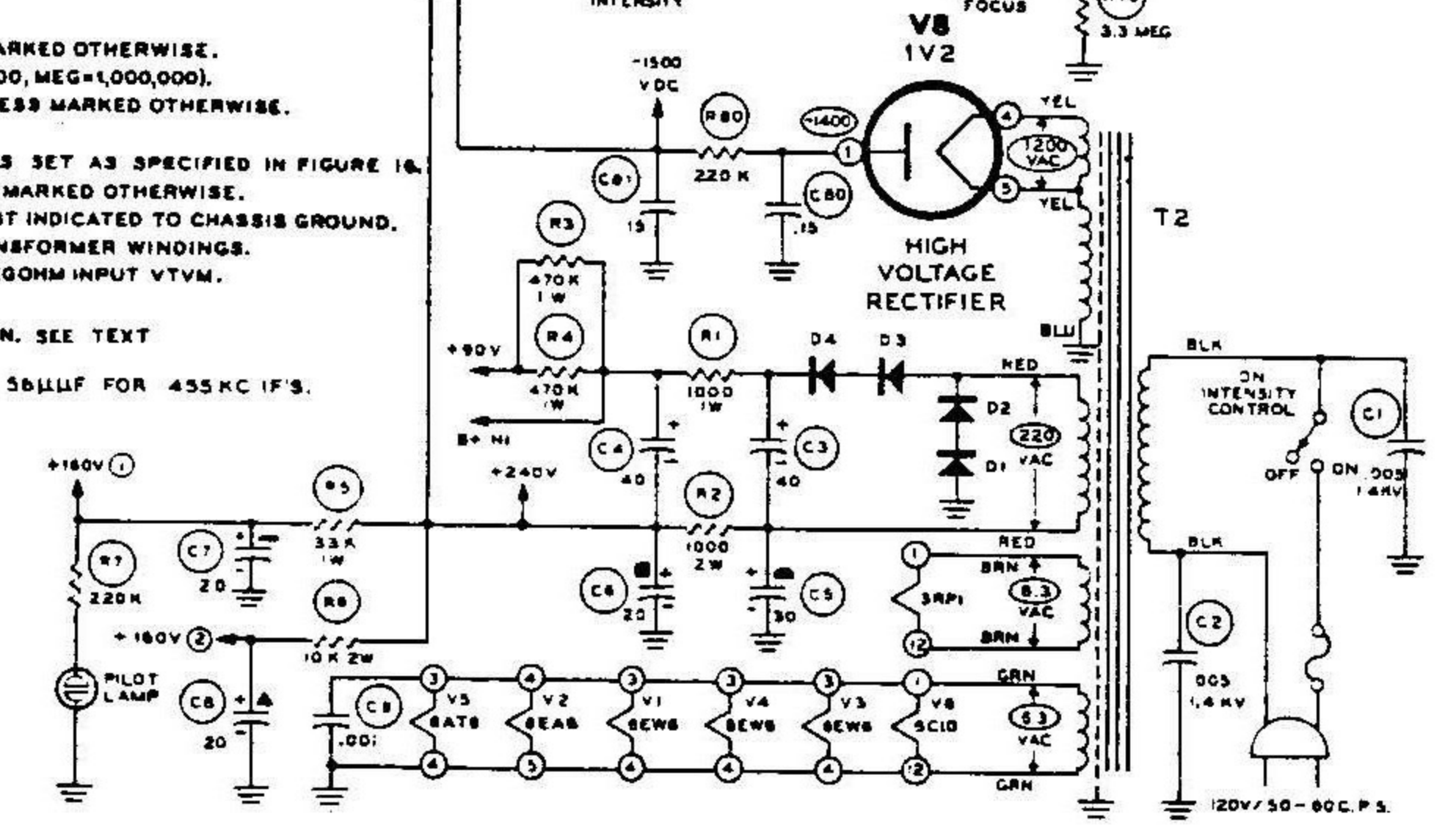


RESISTOR AND COIL L3 IDENTIFICATION

RECEIVER IF KC	COIL L2	R201	R203	R206	R204	R205	C28
1600	40-588	1.5 MEG	5.6 MEG	100 K	150 K	10 K	NOT USED
1650	40-589	2.2 MEG	3.3 MEG	680 K	100 K	68 K	90 uF MICA
2075	40-589	3.3 MEG	1.5 MEG	680 K	100 K	68 K	56 uF MICA
2215	40-589	3.3 MEG	680 K	1 MEG	100 K	10 K	56 uF MICA
2445	40-589	2.2 MEG	680 K	3.3 MEG	150 K	68 K	

NOTES:
 ALL RESISTORS ARE 1/2 WATT UNLESS MARKED OTHERWISE.
 ALL RESISTOR VALUES ARE IN OHMS (K=1,000, MEG=1,000,000).
 ALL CAPACITOR VALUES ARE IN uF UNLESS MARKED OTHERWISE.
 ○ INDICATES VOLTAGE READING.
 ALL VOLTAGES MEASURED WITH CONTROLS SET AS SPECIFIED IN FIGURE 16.
 ALL VOLTAGES ARE DC POSITIVE UNLESS MARKED OTHERWISE.
 ALL VOLTAGES ARE MEASURED FROM POINT INDICATED TO CHASSIS GROUND.
 EXCEPT AC VOLTAGES ON POWER TRANSFORMER WINDINGS.
 VOLTAGE READINGS TAKEN WITH AN 11 MEGOHM INPUT VTVM.
 VOLTAGES MAY VARY ±20%.
 --- INDICATES ALTERNATE CONNECTION. SEE TEXT
 * THE VALUE OF THIS CAPACITOR IS 56uF FOR 455 KC IF'S, AND 12 uF FOR ALL OTHERS.

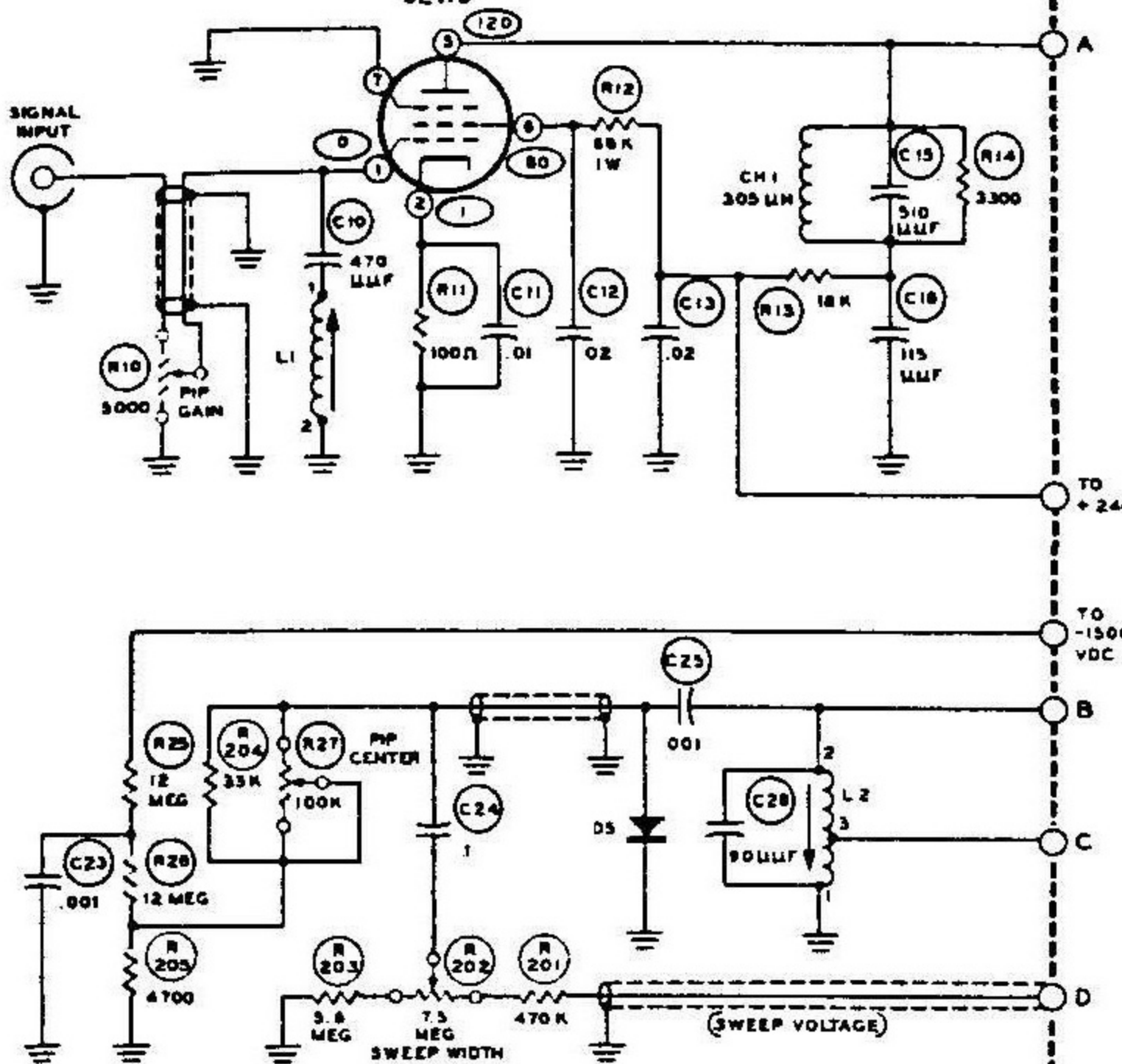
SCHMATIC OF THE HEATHKIT HAM-SCAN MODEL HO-13



455 KC ONLY

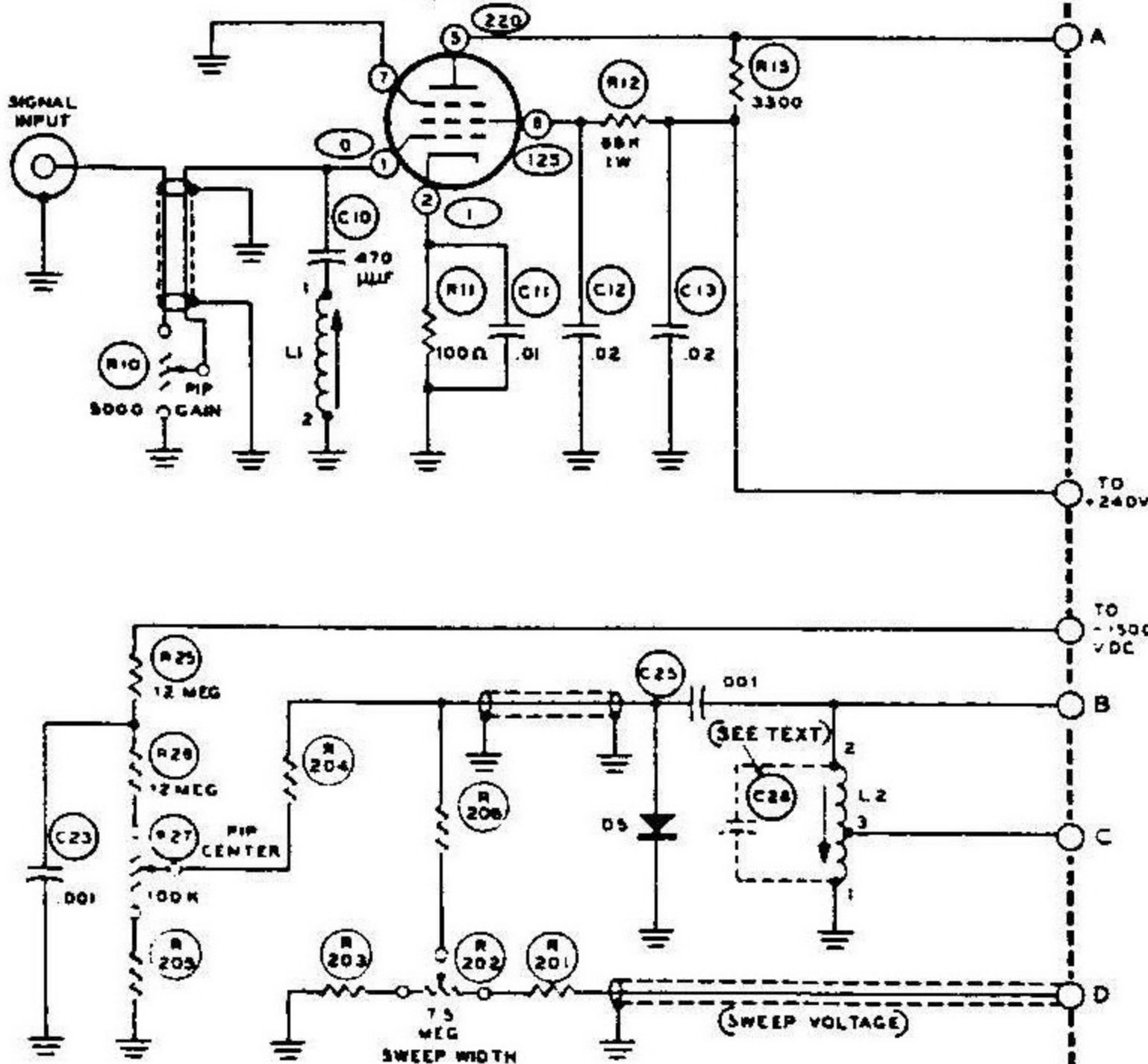
V1-RF AMPLIFIER

6EW6

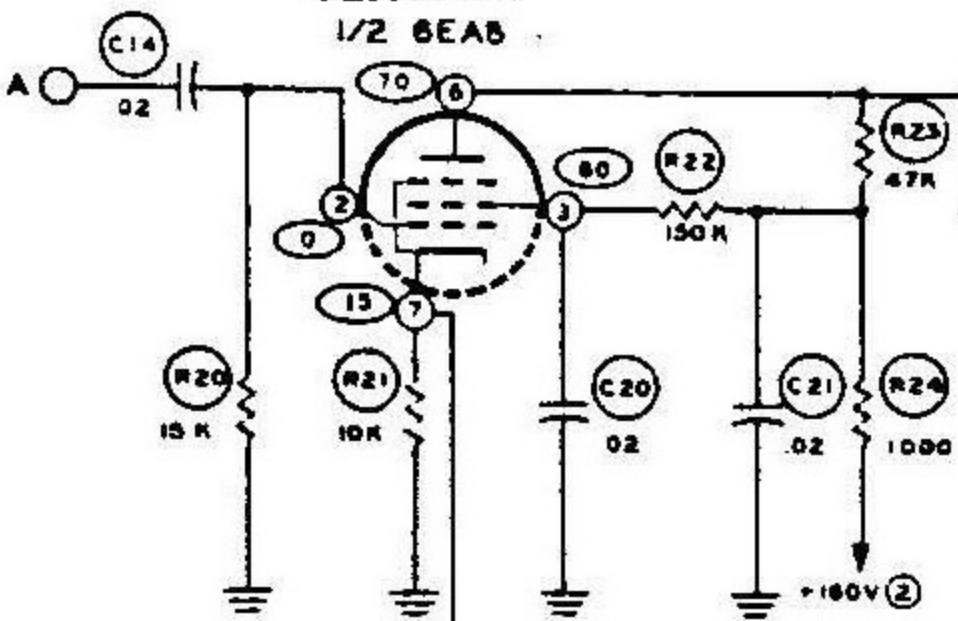


OTHER THAN 455 KC

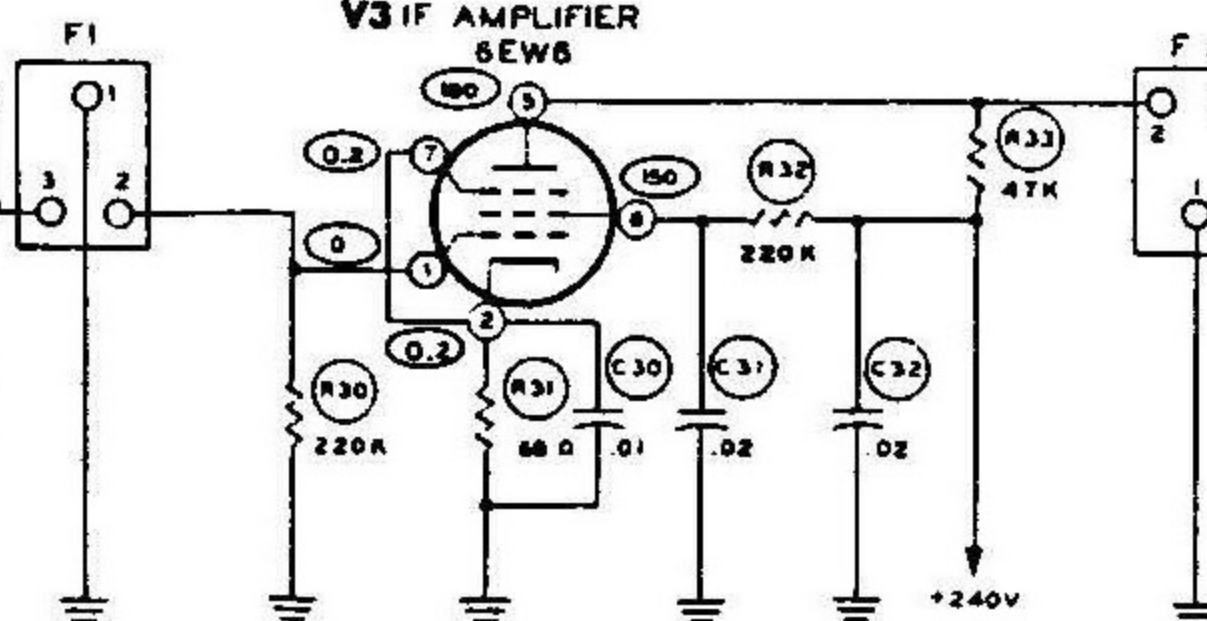
V1-RF AMPLIFIER
6EW5



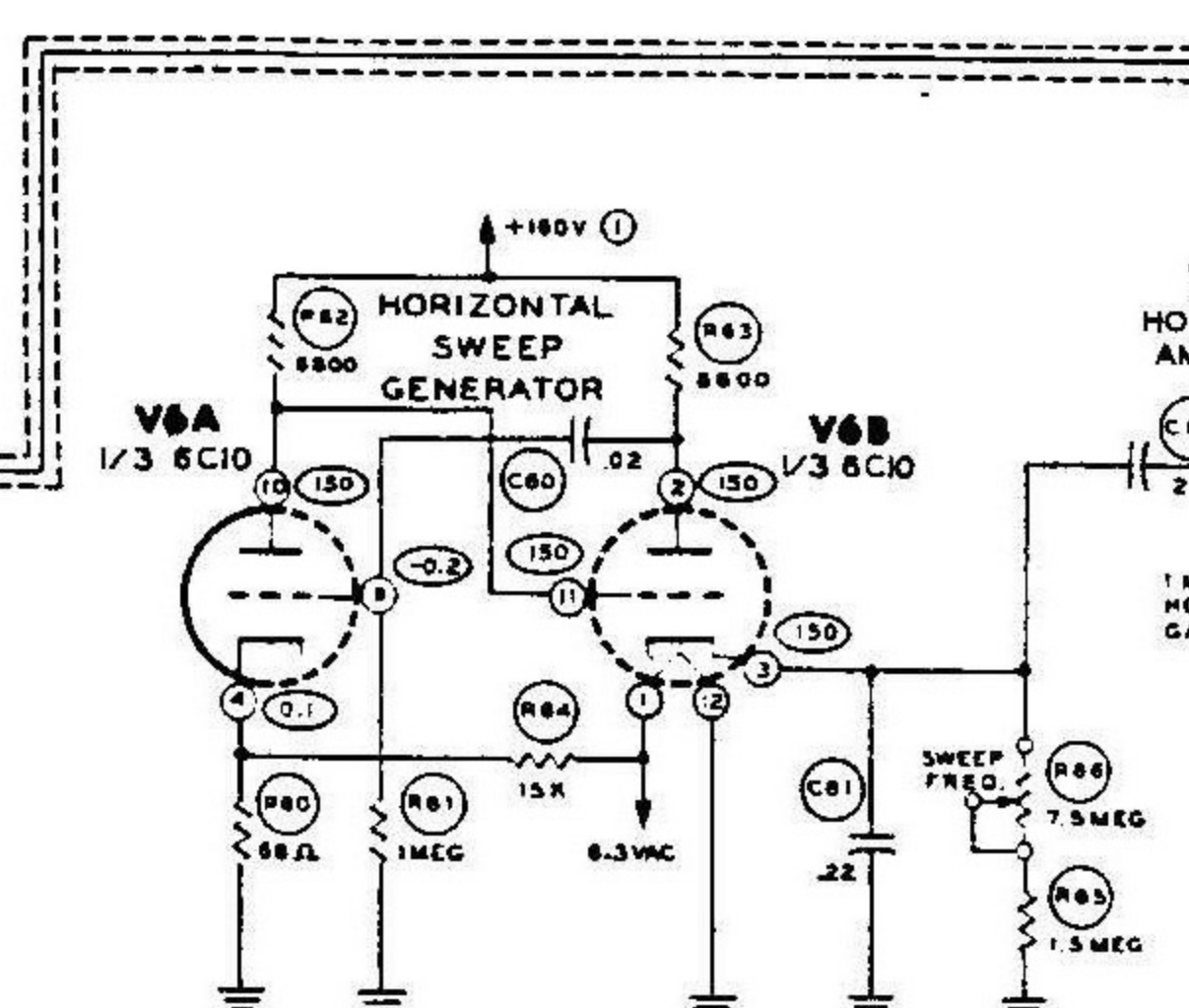
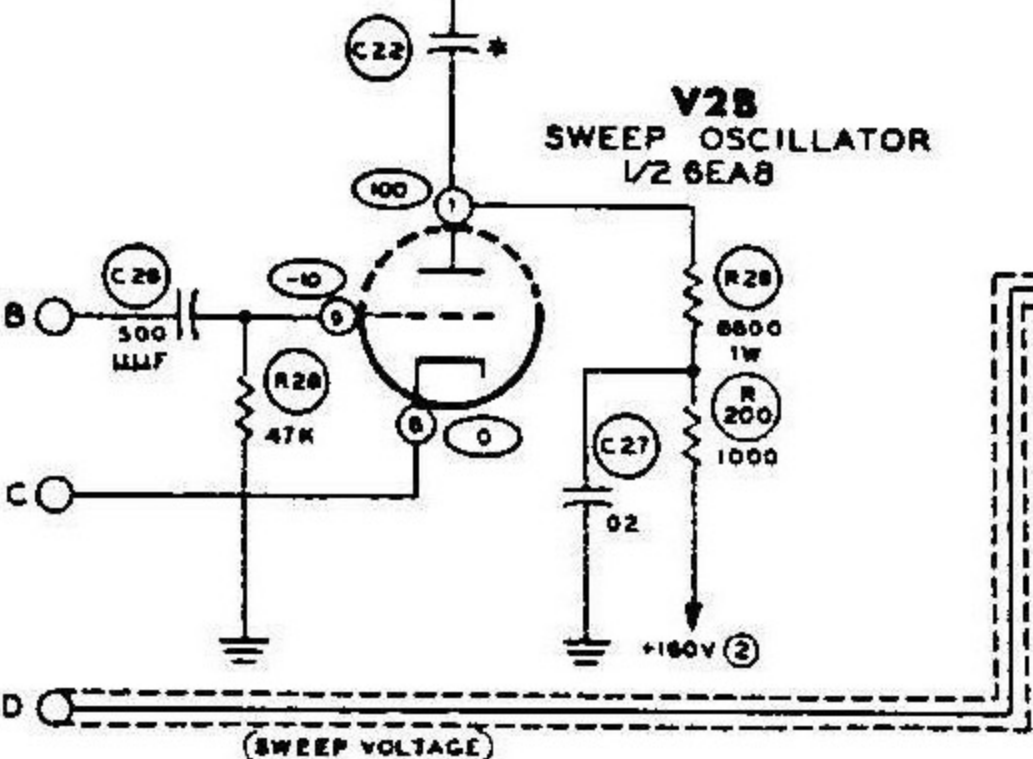
V2A MIXER
1/2 6EA8



V3 IF AMPLIFIER
6EW6



V2B SWEEP OSCILLATOR
1/2 6EA8



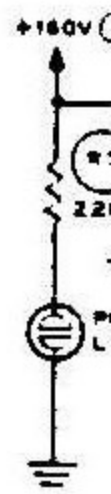
RESISTOR AND COIL L3 IDENTIFICATION

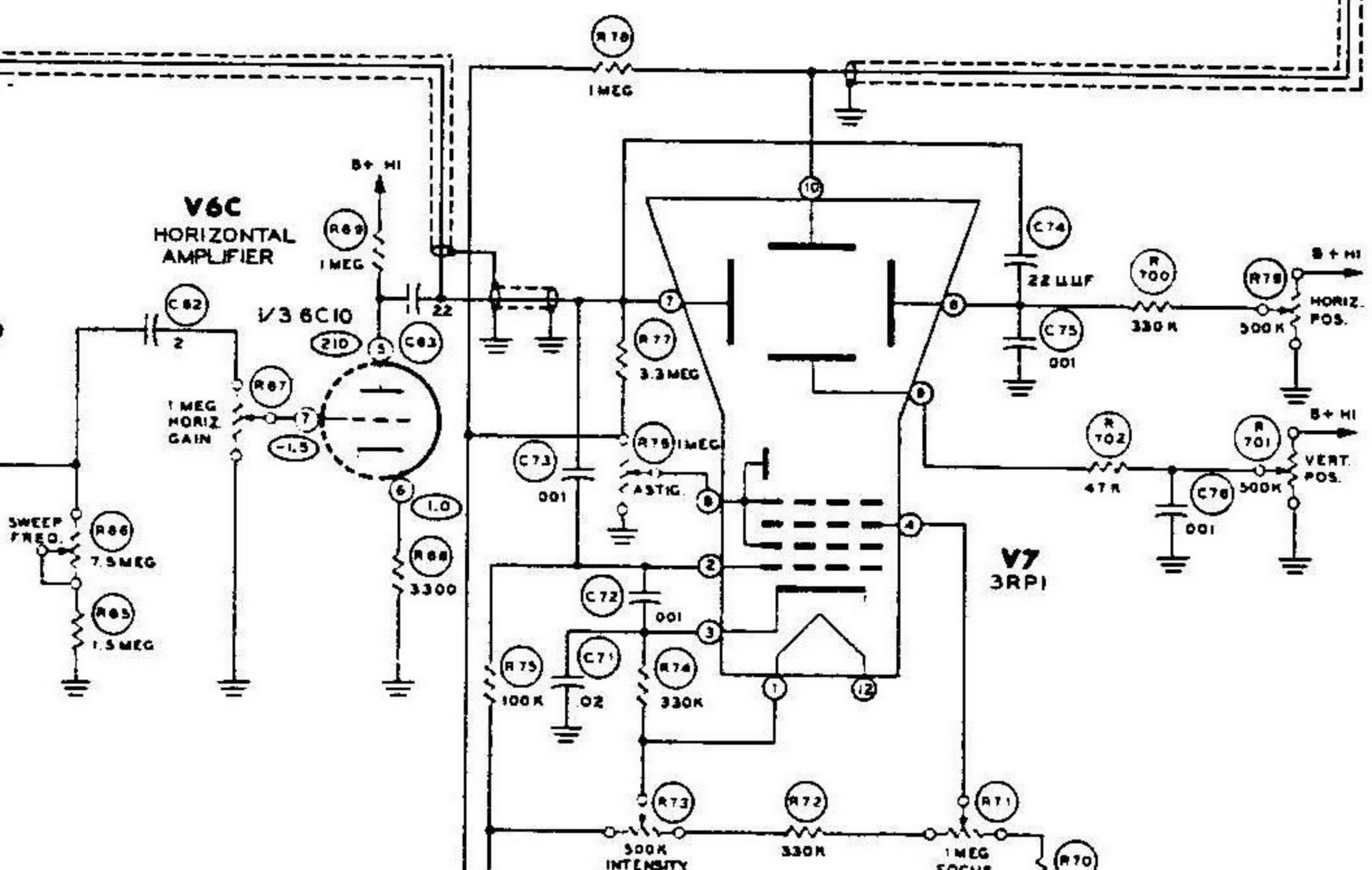
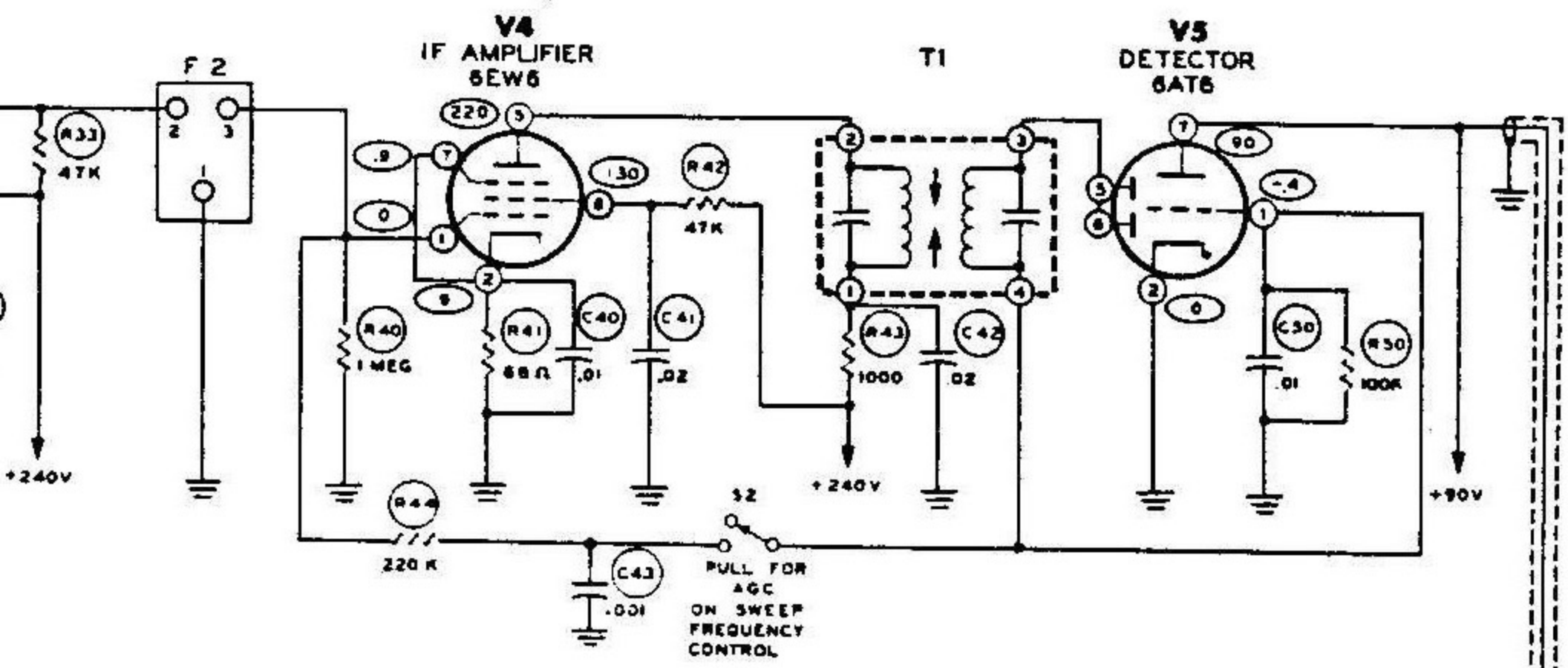
RECEIVER IF KC	COIL L2	R201	R203	R206	R204	R205	C28
1600 1850 1981	40-588	1.5 MEGΩ	3.6 MEGΩ	100 KΩ	150 KΩ	10 KΩ	NOT USED
2075 2215	40-589	2.2 MEGΩ	3.3 MEGΩ	680 KΩ	100 KΩ	68 KΩ	90 μuf MICA
2445	40-589	3.3 MEGΩ	1.5 MEGΩ	680 KΩ	100 KΩ	68 KΩ	
3000 3055	40-589	3.3 MEGΩ	680 KΩ	1 MEGΩ	100 KΩ	10 KΩ	56 μuf MICA
3395	40-589	2.2 MEGΩ	680 KΩ	3.3 MEGΩ	150 KΩ	68 KΩ	

NOTES:

- ALL RESISTORS ARE 1/2 WATT UNLESS MARKED OTHERWISE.
- ALL RESISTOR VALUES ARE IN OHMS (K=1000, MEG=1,000,000).
- ALL CAPACITOR VALUES ARE IN μFD UNLESS MARKED OTHERWISE.
- INDICATES VOLTAGE READING.
- ALL VOLTAGES MEASURED WITH CONTROLS SET AS SHOWN.
- ALL VOLTAGES ARE DC POSITIVE UNLESS MARKED OTHERWISE.
- ALL VOLTAGES ARE MEASURED FROM POINT INDICATED BY THE NUMBER.
- EXCEPT AC VOLTAGES ON POWER TRANSFORMER SECONDARY.
- VOLTAGE READINGS TAKEN WITH AN 11 MEGOHM INPUT IMPEDANCE.
- VOLTAGES MAY VARY ±20%.
- INDICATES ALTERNATE CONNECTION. SEE TEST PROCEDURE.
- * THE VALUE OF THIS CAPACITOR IS 56 μUF FOR 1600, 1850, 1981, 2075, 2215, 2445, 3000, 3055, 3395 AND 12 μUF FOR ALL OTHERS.

SCHMATIC OF THE
HEATHKIT
HAM-SCAN
MODEL HO-13





UNLESS MARKED OTHERWISE, RESISTORS (K=1000, MEG=1,000,000) AND CAPACITORS (UF UNLESS MARKED OTHERWISE, P.F. UNLESS MARKED OTHERWISE) ARE TO BE USED UNLESS OTHERWISE SPECIFIED.

CONTROLS SET AS SPECIFIED IN FIGURE 16, UNLESS MARKED OTHERWISE.

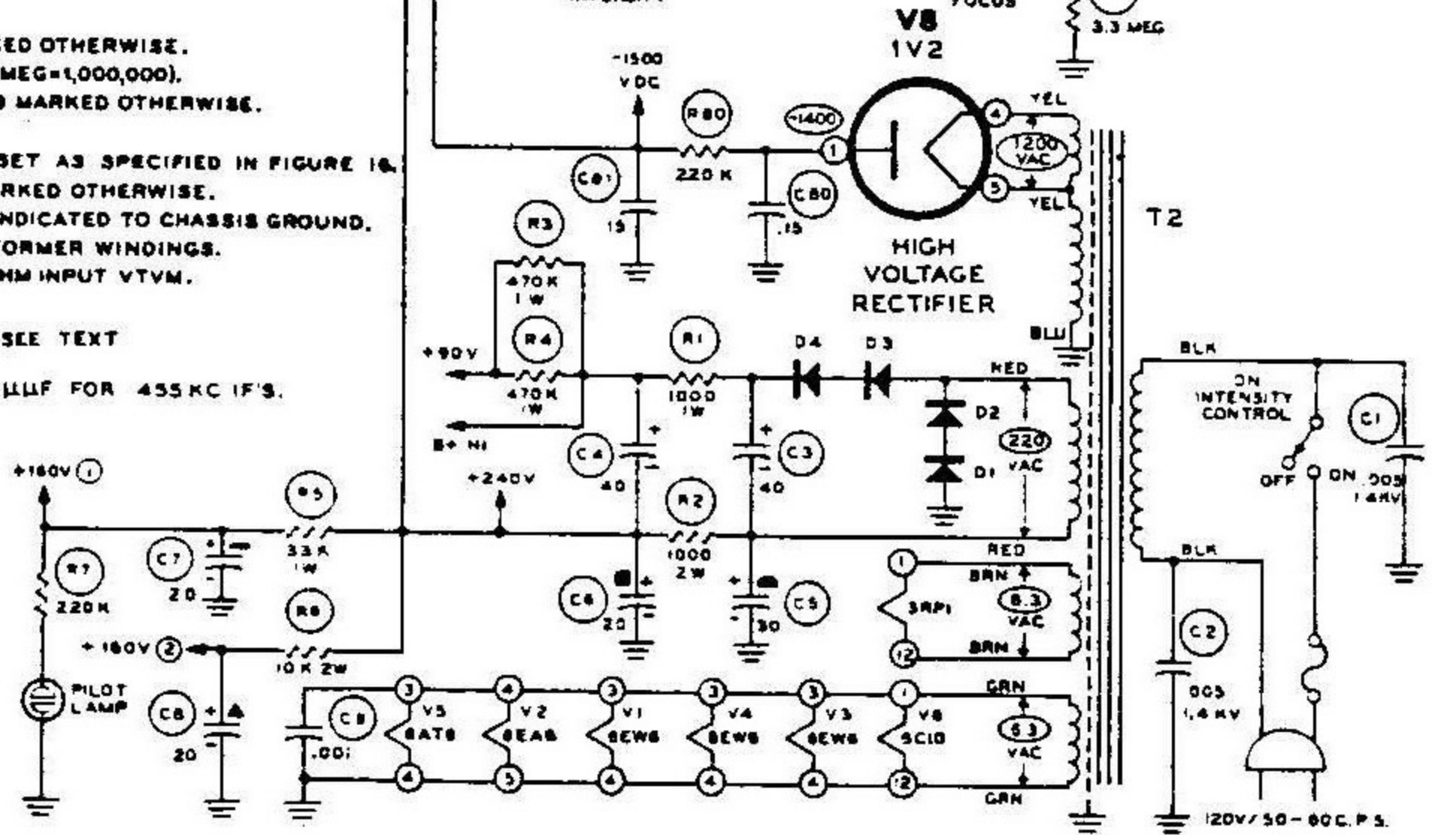
FROM POINT INDICATED TO CHASSIS GROUND, UNLESS OTHERWISE SPECIFIED.

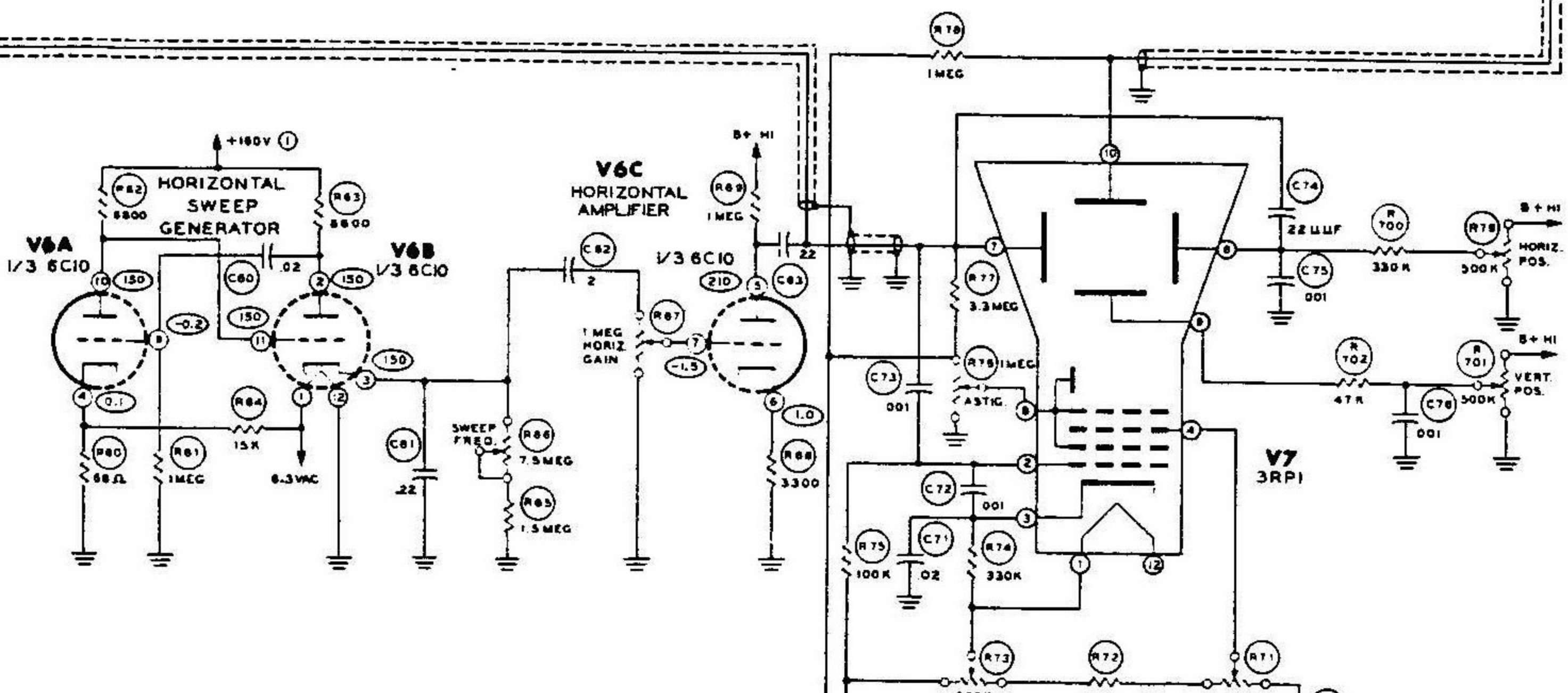
FOR TRANSFORMER WINDINGS, UNLESS OTHERWISE SPECIFIED, USE AN 11 MEGOHM INPUT VTVM.

CONNECTION. SEE TEXT

PILOT LAMP IS 56LLUF FOR 455 KC IF'S.

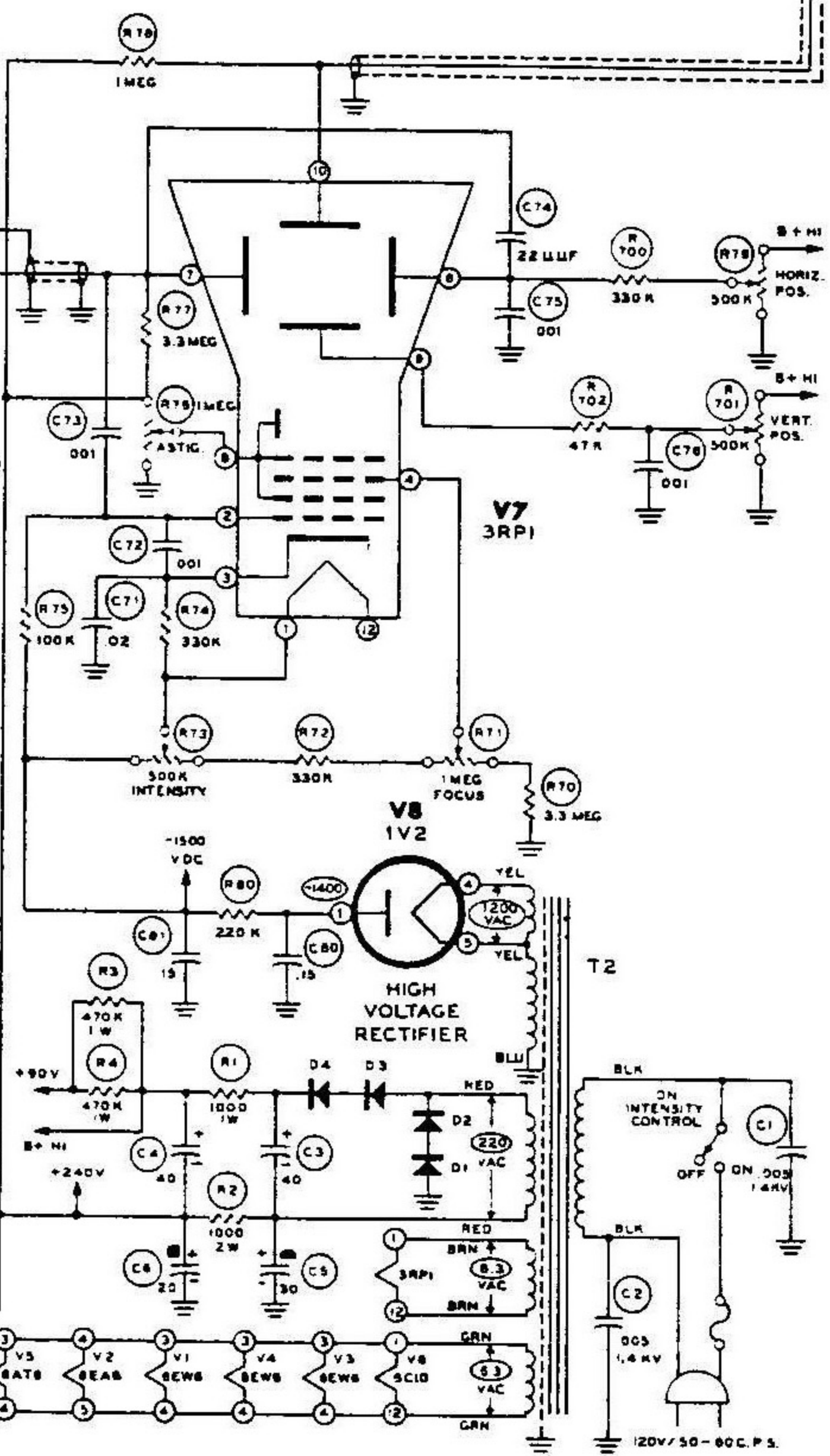
OTHERS.





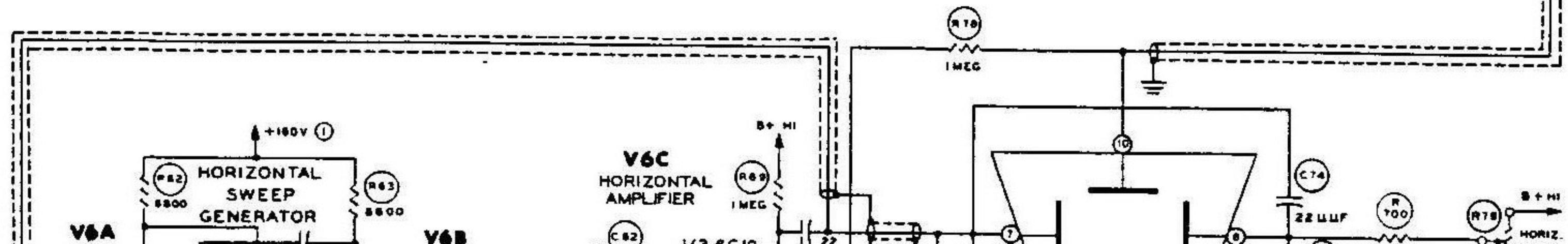
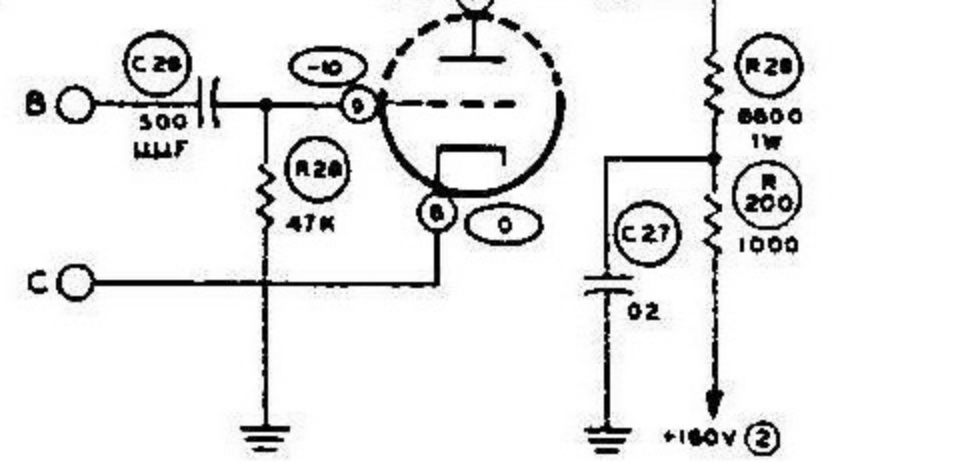
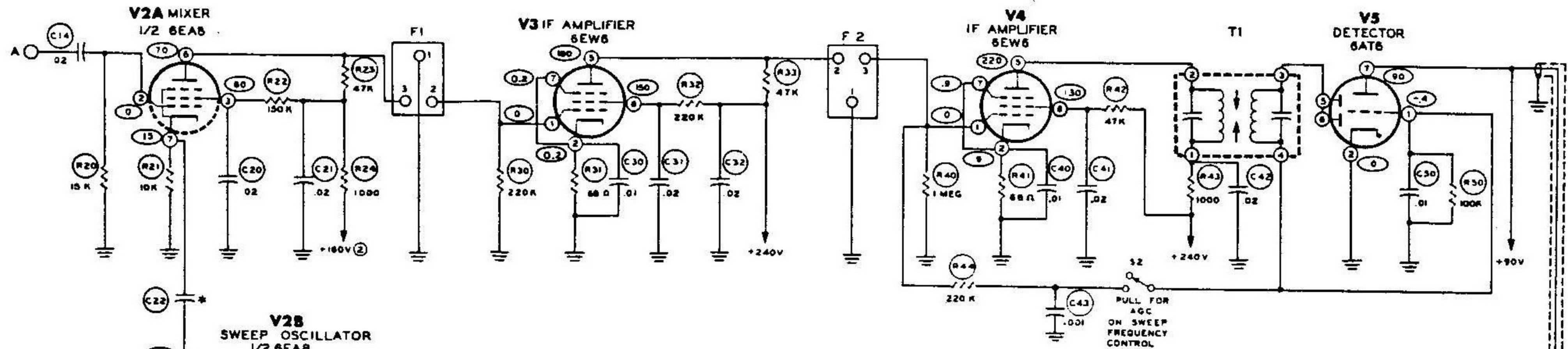
NOTES:
 ALL RESISTORS ARE 1/2 WATT UNLESS MARKED OTHERWISE.
 ALL RESISTOR VALUES ARE IN OHMS (K=1000, MEG=1,000,000).
 ALL CAPACITOR VALUES ARE IN μ F UNLESS MARKED OTHERWISE.
 ○ INDICATES VOLTAGE READING.
 ALL VOLTAGES MEASURED WITH CONTROLS SET AS SPECIFIED IN FIGURE 16.
 ALL VOLTAGES ARE DC POSITIVE UNLESS MARKED OTHERWISE.
 ALL VOLTAGES ARE MEASURED FROM POINT INDICATED TO CHASSIS GROUND,
 EXCEPT AC VOLTAGES ON POWER TRANSFORMER WINDINGS.
 VOLTAGE READINGS TAKEN WITH AN 11 MEGOHM INPUT VTVM.
 VOLTAGES MAY VARY $\pm 20\%$.
 --- INDICATES ALTERNATE CONNECTION. SEE TEXT

* THE VALUE OF THIS CAPACITOR IS 56 μ F FOR 455 KC IF'S,
 AND 12 μ F FOR ALL OTHERS.



C26	NOT USED
C27	90 μ F MICA
C28	56 μ F MICA

SCHEMATIC OF THE
 REATHKIT
 AM-SCAN
 MODEL HO-13



RESISTOR AND COIL L3 IDENTIFICATION

RECEIVER IF KCI	COIL L2	R201	R203	R206	R204	R205	C26
1600 1650 1661	40-589	1.5 MEGΩ	3.6 MEGΩ	100 KΩ	150 KΩ	10 KΩ	NOT USED
2075 2215	40-589	2.2 MEGΩ	3.3 MEGΩ	680 KΩ	100 KΩ	68 KΩ	90 μuf MICA
2445	40-589	3.3 MEGΩ	1.5 MEGΩ	680 KΩ	100 KΩ	68 KΩ	
3000 3055	40-589	3.3 MEGΩ	680 KΩ	1 MEGΩ	100 KΩ	10 KΩ	56 μuf MICA
3395	40-589	2.2 MEGΩ	680 KΩ	3.3 MEGΩ	150 KΩ	68 KΩ	

NOTES:

ALL RESISTORS ARE 1/2 WATT UNLESS MARKED OTHERWISE.

ALL RESISTOR VALUES ARE IN OHMS (K=1000, MEG=1,000,000).

ALL CAPACITOR VALUES ARE IN μFD UNLESS MARKED OTHERWISE.

○ INDICATES VOLTAGE READING.

ALL VOLTAGES MEASURED WITH CONTROLS SET AS SPECIFIED IN FIGURE 16.

ALL VOLTAGES ARE DC POSITIVE UNLESS MARKED OTHERWISE.

ALL VOLTAGES ARE MEASURED FROM POINT INDICATED TO CHASSIS GROUND.

EXCEPT AC VOLTAGES ON POWER TRANSFORMER WINDINGS.

VOLTAGE READINGS TAKEN WITH AN 11 MEGOHM INPUT VTVM.

VOLTAGES MAY VARY ±20%.

--- INDICATES ALTERNATE CONNECTION. SEE TEXT

* THE VALUE OF THIS CAPACITOR IS 56μUF FOR 455 KC IF'S,
AND 12μUF FOR ALL OTHERS.