

* SEE TABLE BELOW

	3.385 MHz IF	8.830 MHz IF
C334	5000pF	—
C338	1000pF	68 pF
C337	.01 pF	1000 pF
C338	—	33 pF
C341	100 pF	22 pF
C340	47 pF	22 pF
C344	850 pF	—
C345	180 pF	3.3 pF
Y301	3.385 MHz	8.830 MHz
L303	45-031	45-825
T301	62-197	62-198

- NOTES:
- All resistors are rated at 1/4-watt and have a tolerance of 5% unless otherwise noted. Resistor values are in ohms ($k = 1000, M = 1,000,000$)
 - Capacitor values less than 1 are in μF (microfarads). Values greater than 1 are in pF (picofarads) unless otherwise noted.
 - ∇ This symbol indicates a circuit board ground.
 - \equiv This symbol indicates a chassis ground.
 - \bigcirc This symbol indicates a wire connection to the circuit board.

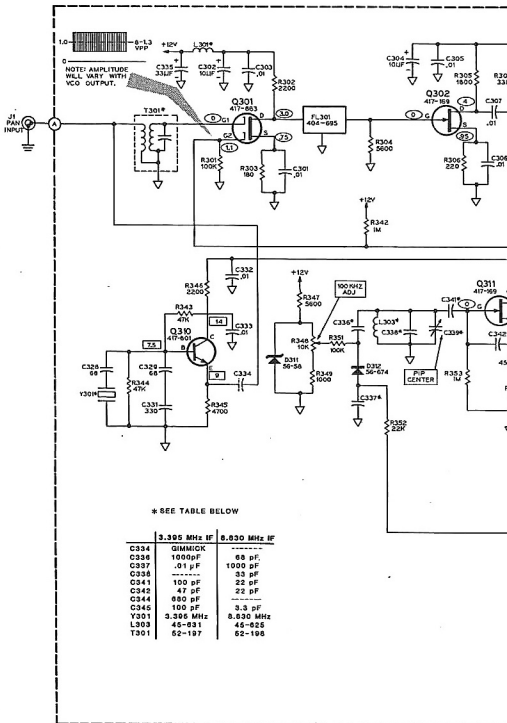
- \leftarrow This symbol indicates a plug.
- \bigcirc This symbol indicates a DC voltage taken from the point indicated to chassis ground.
- \square This symbol indicates a DC voltage taken from the point indicated to chassis ground with the Marker pushbutton depressed (on).

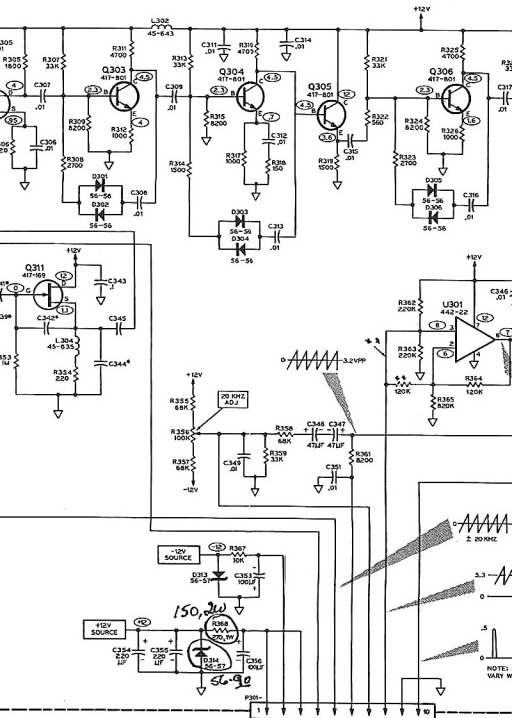
9. The oscilloscope Time Base was set for 50 ms to obtain the indicated waveforms. The actual frequency will vary with the sweep control setting.

TO HO-5404 STATION MONITOR

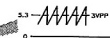
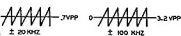
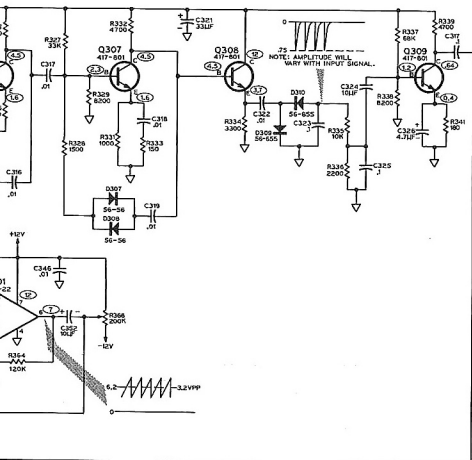
* SUT FOIL AND INSTALL 120K Ω RESISTOR TO REVERSE SCREEN DISPLAY ACTION.

SCHEMATIC OF THE HEATHKIT® PAN ADAPTOR MODULE MODEL HOA-5404-1





TD HO-5404
STATION MONITOR



NOTE: AMPLITUDE WILL VARY WITH INPUT SIGNAL.

SCHEMATIC OF THE HEATHKIT® PAN ADAPTOR MODULE MODEL HOA-5404-1