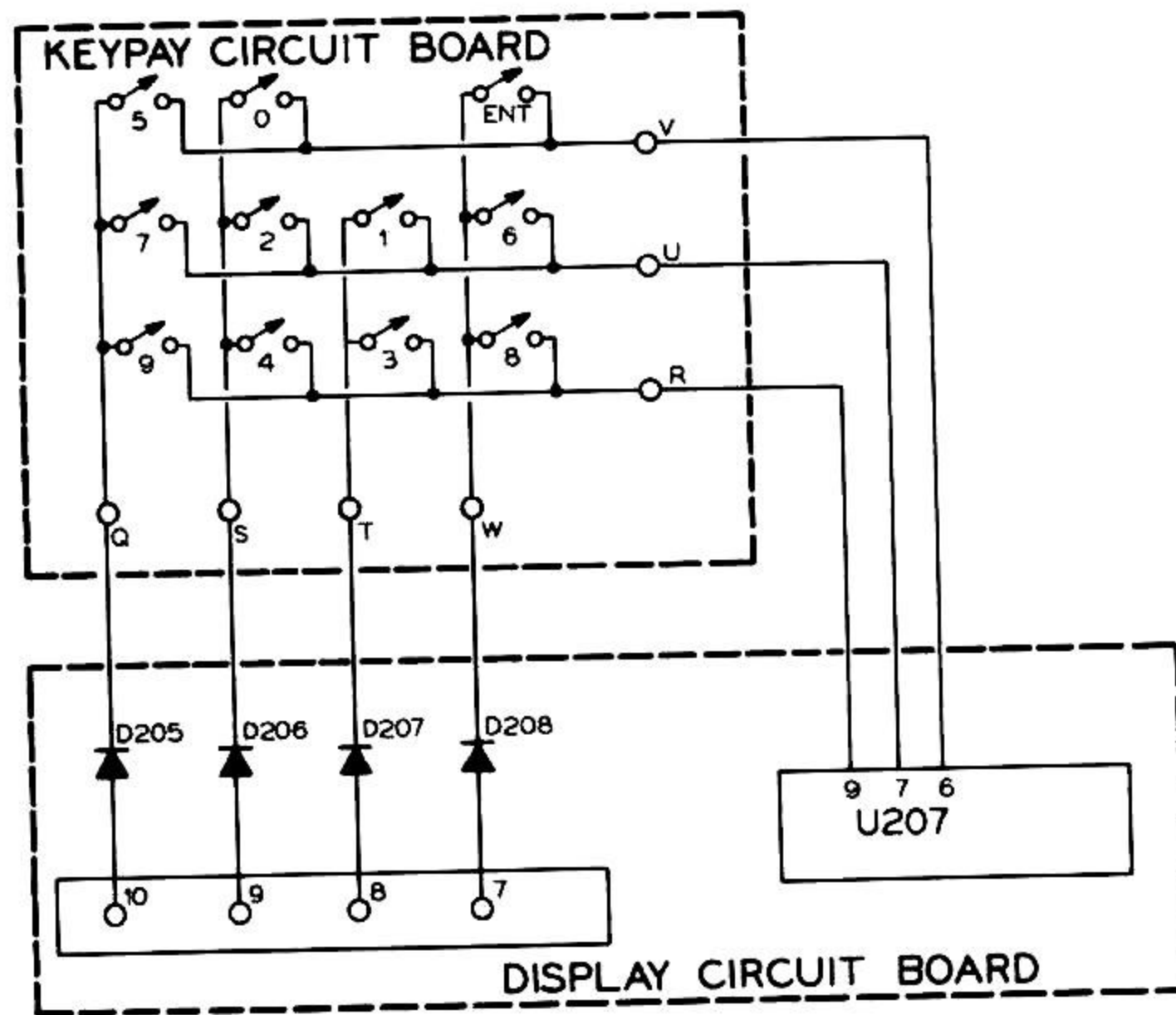


NOTES:

1. COMPONENT NUMBERS ARE IN THE FOLLOWING GROUPS.  
 1-99 CHASSIS MOUNTED PARTS.  
 101-199 PARTS MOUNTED ON THE AC CIRCUIT BOARD.  
 201-299 PARTS MOUNTED ON THE DISPLAY CIRCUIT BOARD.  
 301-399 PARTS MOUNTED ON THE REGULATOR CIRCUIT BOARD.
2. ALL RESISTORS ARE 1/2-WATT, 5% TOLERANCE UNLESS OTHERWISE NOTED. RESISTORS VALUES ARE IN OHMS (K=1000).
3. CAPACITORS LESS THAN 1 ARE IN  $\mu$ F (MICROFARADS). ALL OTHER CAPACITORS ARE IN PF (PICOFARADS) UNLESS OTHERWISE NOTED.

4. THIS SYMBOL INDICATES A POSITIVE DC VOLTAGE MEASURED WITH A HIGH IMPEDENCE VOLTMETER FROM THE POINT INDICATED TO CHASSIS GROUND WITH THE TRANSCEIVER POWER TURNED ON.
5. THIS SYMBOL INDICATES AN AC VOLTAGE.
6. THIS SYMBOL INDICATES A CIRCUIT BOARD GROUND.
7. THIS SYMBOL INDICATES A CHASSIS GROUND.
8. THIS SYMBOL INDICATES A WIRED CONNECTION TO A CIRCUIT BOARD.
9. THIS SYMBOL INDICATES A CHASSIS-MOUNTED COMPONENT.
10. \* USE ONLY HEATHKIT DIRECT REPLACEMENT PARTS, #21-72.
11. REFER TO "CIRCUIT BOARD X-RAY VIEWS" AND TO THE PICTORIALS WHERE COMPONENTS WERE MOUNTED ON THE CHASSIS FOR THE PHYSICAL LOCATION OF PARTS.



**SCHEMATIC**