

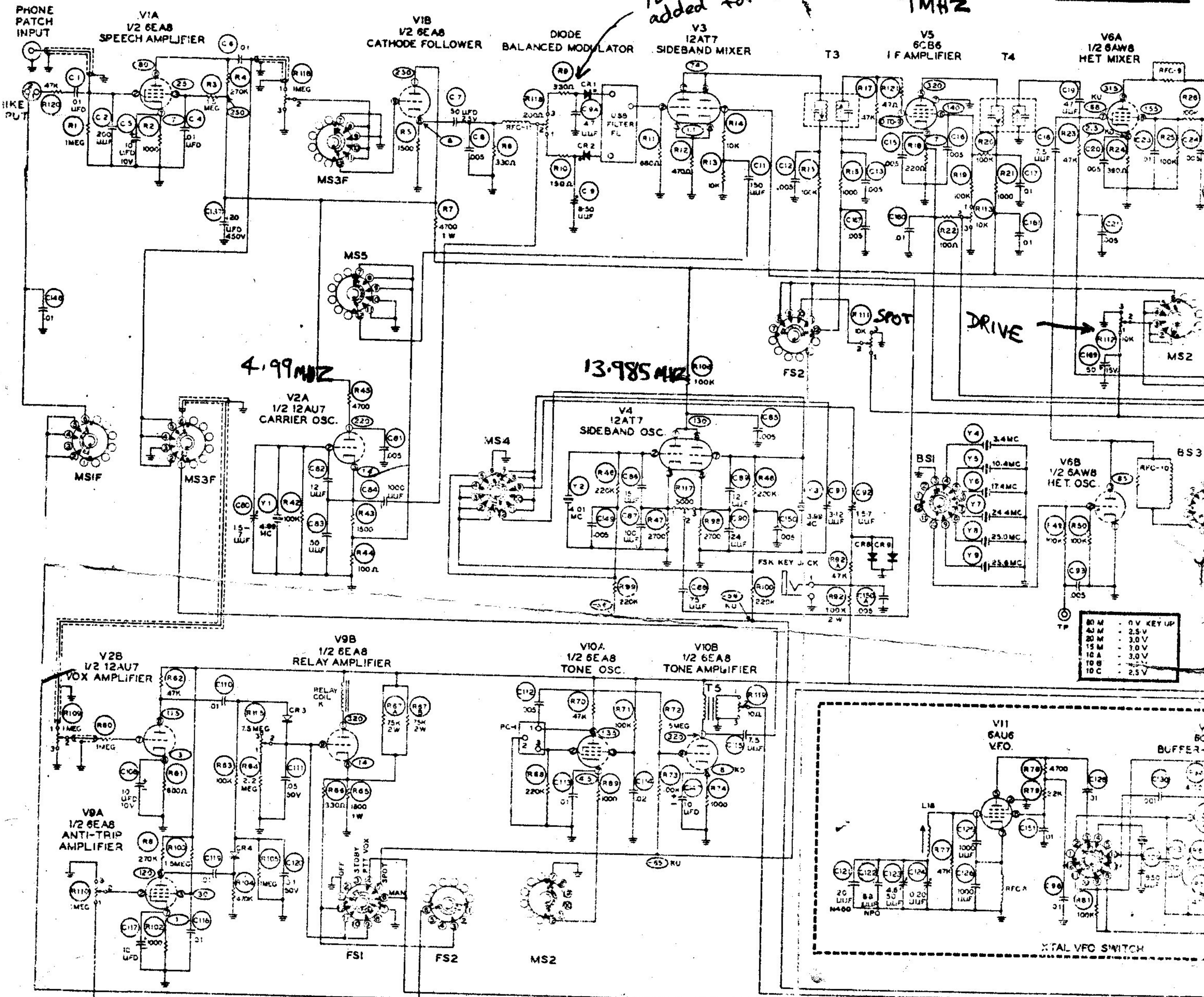
VFO MIXER OUTPUT		
BAND	FROM	TO
10 C	29.1 MC	29.7 MC
10 B	28.5 MC	29.1 MC
10 A	27.9 MC	28.5 MC
15	20.9 MC	21.5 MC
20	13.9 MC	14.5 MC
40	6.9 MC	7.3 MC
80	3.5 MC	4.1 MC

HETERODYNE MIXER OUTPUT	
BAND	FREQUENCY
10 C	34.6 MC
10 B	34.0 MC
10 A	33.4 MC
15	26.4 MC
20	19.4 MC
40	12.4 MC
80	9.0 MC

80 M	-0 V KEY UP
40 M	-2.5 V
20 M	-3.0 V
15 M	-3.0 V
107	-3.0 V
108	-2.5 V
106	-4.5 V

HETERODYNE MIXER OUTPUT	
BAND	FREQUENCY
10 C	34.6 MC
10 B	34.0 MC
10 A	33.4 MC
15	26.4 MC
20	19.4 MC
40	12.4 MC
80	9.0 MC

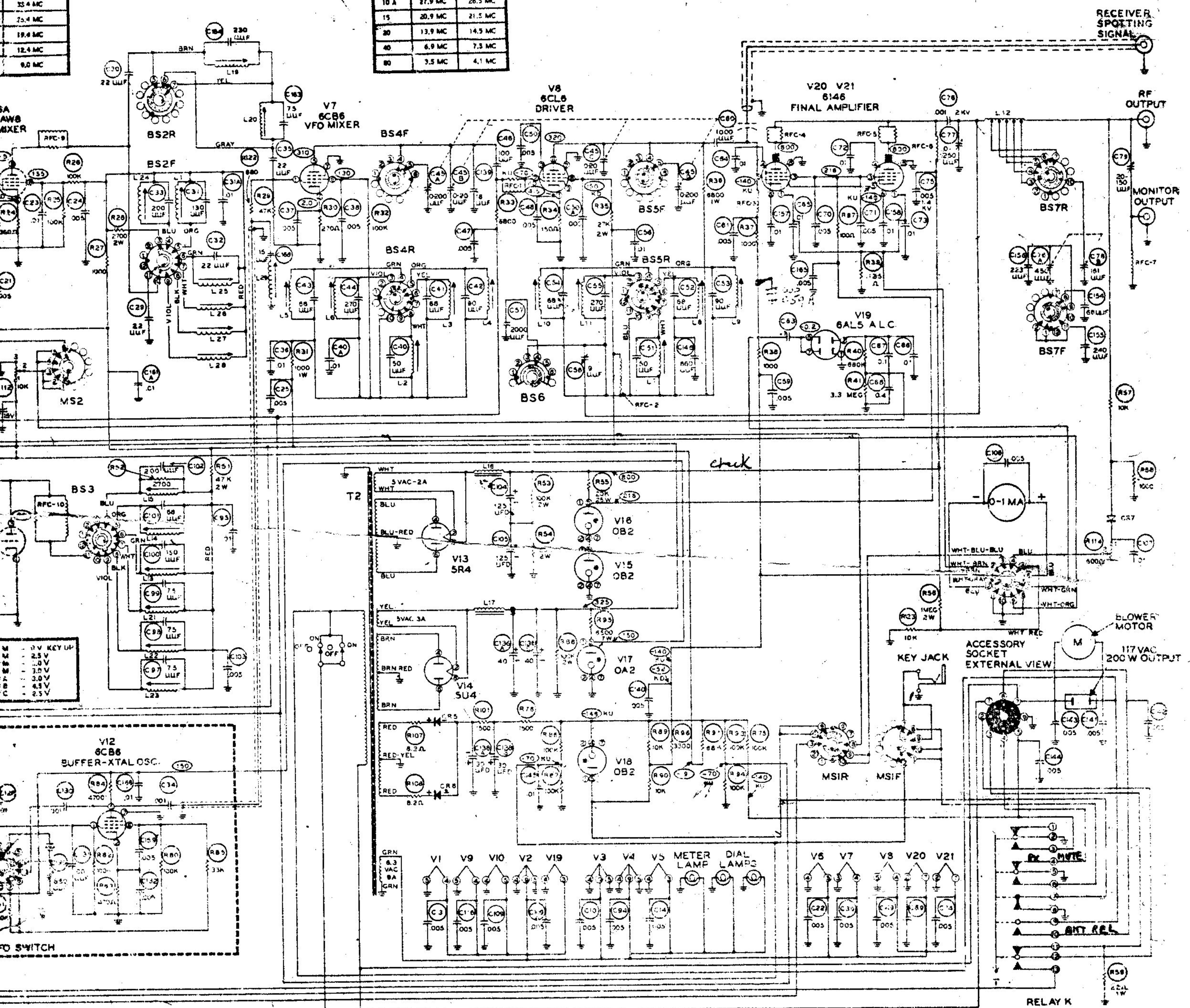
180Ω in parallel with 330Ω added for balance
9MHz



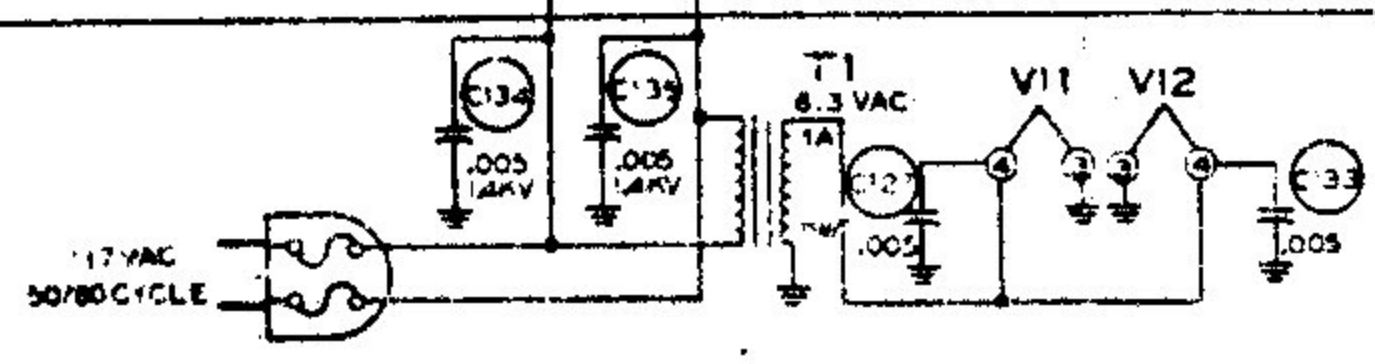
5.5 -> 4.9 MHz

MIXER OUTPUT FREQUENCY
34.6 MC
34.0 MC
33.4 MC
32.8 MC
32.2 MC
31.6 MC
31.0 MC

VFO MIXER OUTPUT		
	FROM	TO
15 C	29.1 MC	29.7 MC
10 B	28.5 MC	29.1 MC
10 A	27.9 MC	28.5 MC
15	20.9 MC	21.5 MC
20	13.9 MC	14.5 MC
40	6.9 MC	7.5 MC
80	3.5 MC	4.1 MC



M	-1V KEY UP
M	-2.5V
M	-3.0V
M	-3.5V
A	-3.0V
B	-4.5V
C	-2.5V



**"MARAUDER" SSB TRANSMITTER
MODEL HX-10**

- MODE SWITCH IN CW POSITION.
- FUNCTION SWITCH IN OFF POSITION.
- XTAL-VFO SWITCH IN VFO POSITION.
- SEND SWITCH IN 80 METER POSITION.
- METER SWITCH IN "GRID" POSITION.
- ALL VOLTAGES MEASURED WITH A VTVM.
- INDICATES VOLTAGE READINGS.
- ALL VOLTAGES ARE POSITIVE UNLESS OTHERWISE SHOWN.
- ALL CAPACITORS LISTED ARE IN μF UNLESS OTHERWISE SHOWN.
- ALL RESISTORS 1/2 WATT UNLESS OTHERWISE SHOWN.
- AC VOLTAGES TAKEN WITH FUNCTION SWITCH IN STBY POSITION.
- MODE SWITCH IN CW KEY UP (KU) UNLESS OTHERWISE SPECIFIED.
- RD = KEY DOWN.
- SEE MANUAL TEXT FOR RF VOLTAGES MEASURED ONLY WITH AN RF PROBE.

KEY CLICK FILTER (FEB '77)