

NOTES

INPUT AND FUNCTION SELECTORS SHOWN IN FULL CCW POSITION VIEWED FROM FRONT PANEL.

ALL CAPACITORS IN μ UNLESS OTHERWISE SPECIFIED.

ALL RESISTORS 1/2 WATT UNLESS OTHERWISE SPECIFIED.

— INDICATES CLOCKWISE TRAVEL.

VOLTAGES TAKEN WITH HEATHKIT VTVM, 117 V AC LINE SOURCE.

VOLTAGES MAY VARY $\pm 10\%$ DUE TO TOLERANCE OF COMPONENTS.

INPUT SELECTOR IN AUX POSITION. VOLUME FULL CCW, BASS AND TREBLE 1/2 TOTATION.

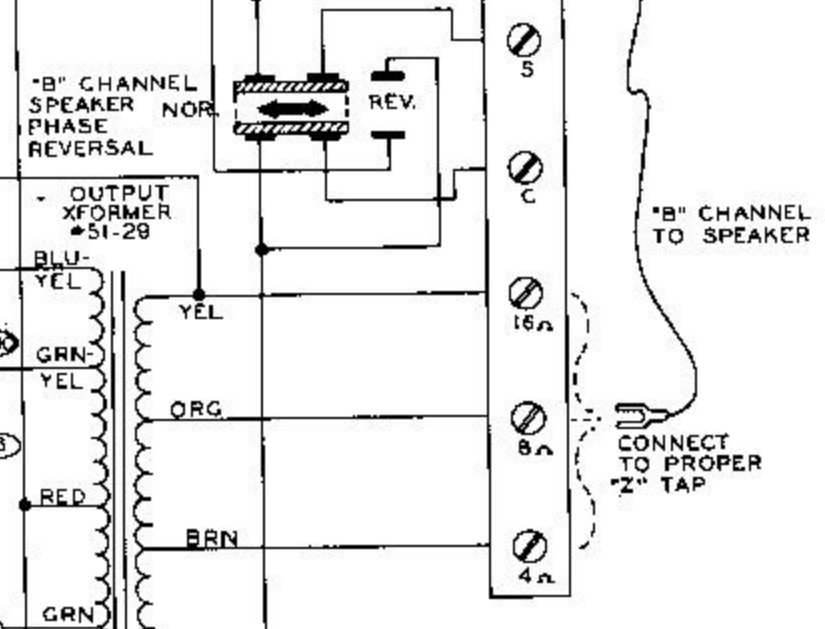
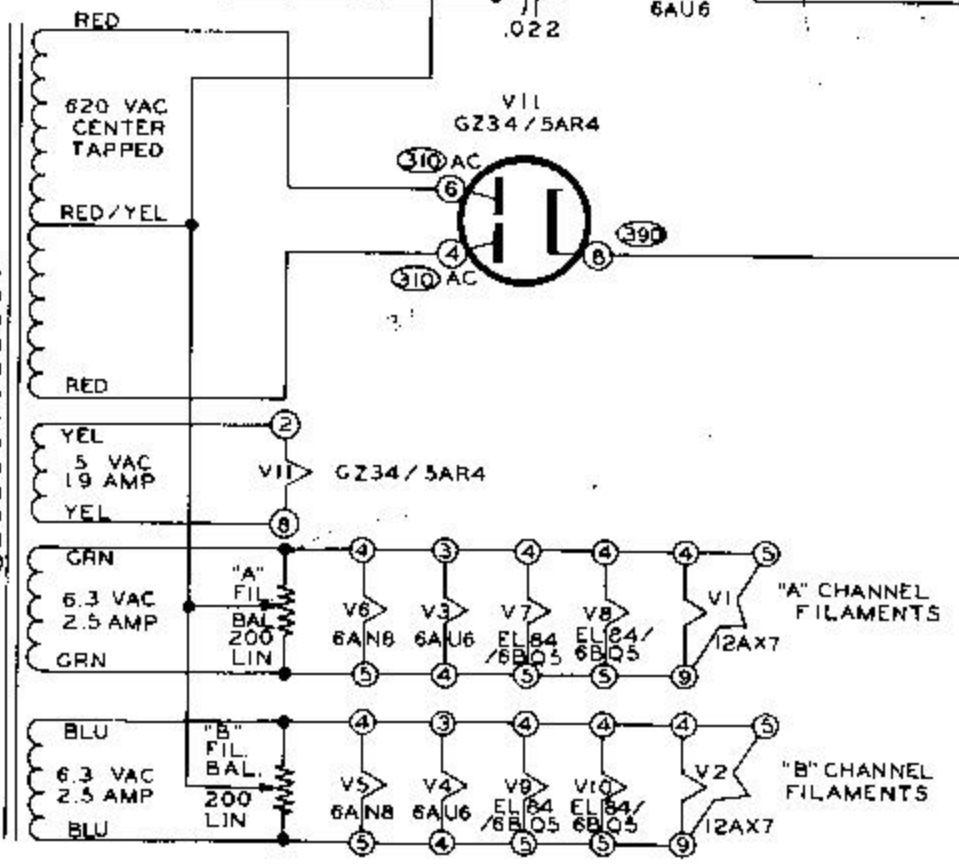
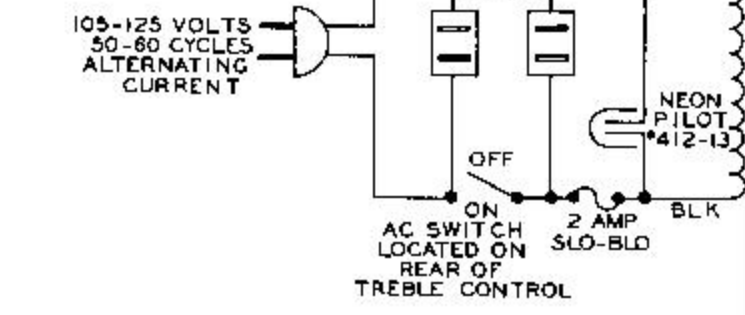
FUNCTION SELECTOR IN STEREO POSITION FOR VOLTAGE READINGS.

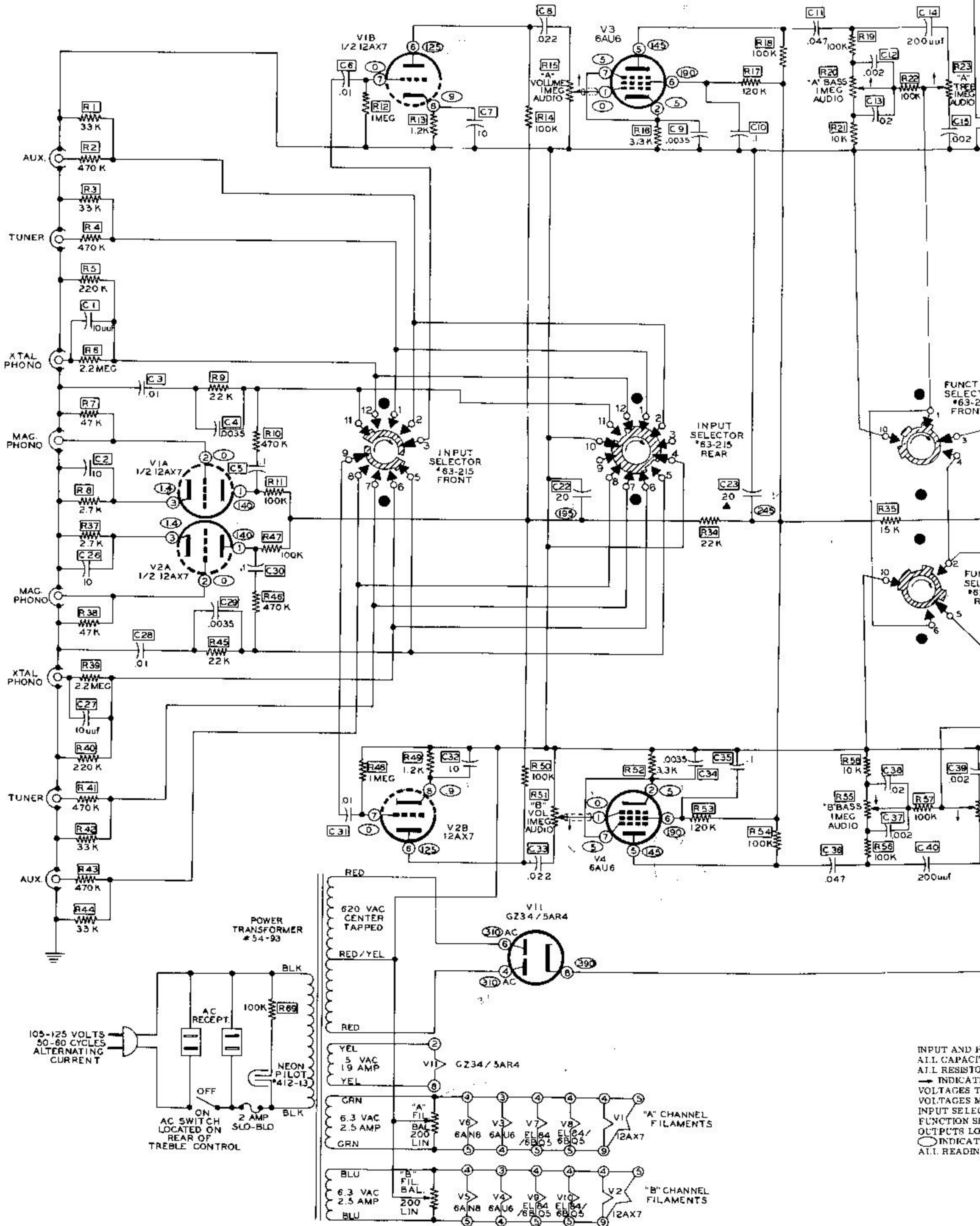
OUTPUTS LOADED WITH 16Ω RESISTORS.

○ INDICATES VOLTAGE READING.

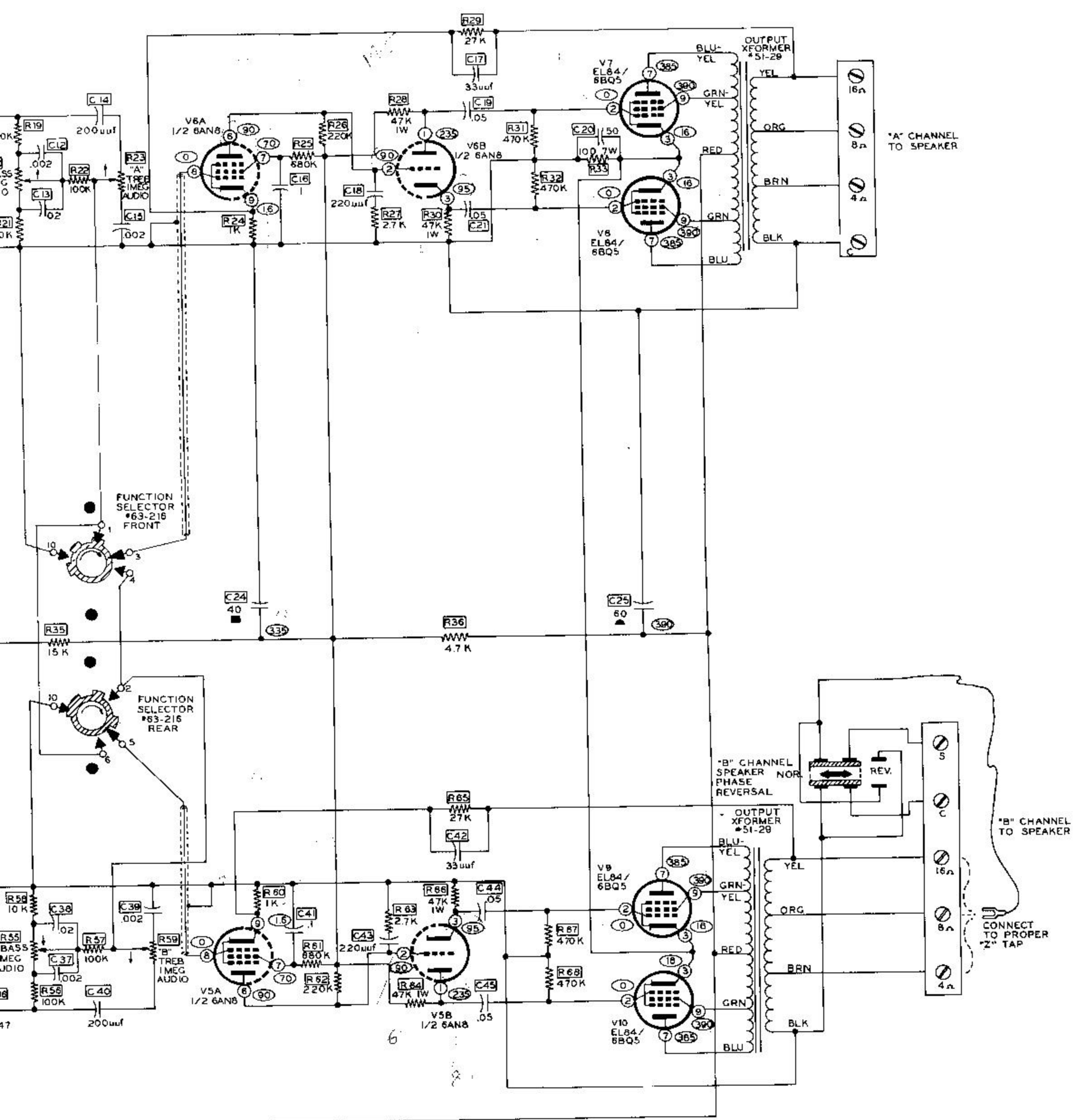
ALL READINGS FROM TEST POINT TO COMMON GROUND.

**HEATHKIT
STEREO AMPLIFIER
MODEL SA-2**





INPUT AND F
ALL CAPACIT
ALL RESISTO
INDICATE
VOLTAGES T
VOLTAGES M
INPUT SELEC
FUNCTION SE
OUTPUTS LO
INDICATE
ALL READIN



NOTES

INPUT AND FUNCTION SELECTORS SHOWN IN FULL CCW POSITION VIEWED FROM FRONT PANEL.
 ALL CAPACITORS IN μ F UNLESS OTHERWISE SPECIFIED.
 ALL RESISTORS 1/2 WATT UNLESS OTHERWISE SPECIFIED.
 → INDICATES CLOCKWISE TRAVEL.
 VOLTAGES TAKEN WITH HEATHKIT VTVM, 117 V AC LINE SOURCE.
 VOLTAGES MAY VARY $\pm 10\%$ DUE TO TOLERANCE OF COMPONENTS.
 INPUT SELECTOR IN AUX POSITION, VOLUME FULL CCW, BASS AND TREBLE 1/2 TOTATION,
 FUNCTION SELECTOR IN STEREO POSITION FOR VOLTAGE READINGS.
 OUTPUTS LOADED WITH 16 Ω 20 W RESISTORS.
 ○ INDICATES VOLTAGE READING.
 ALL READINGS FROM TEST POINT TO COMMON GROUND.

**HEATHKIT
 STEREO AMPLIFIER
 MODEL 5A-2**