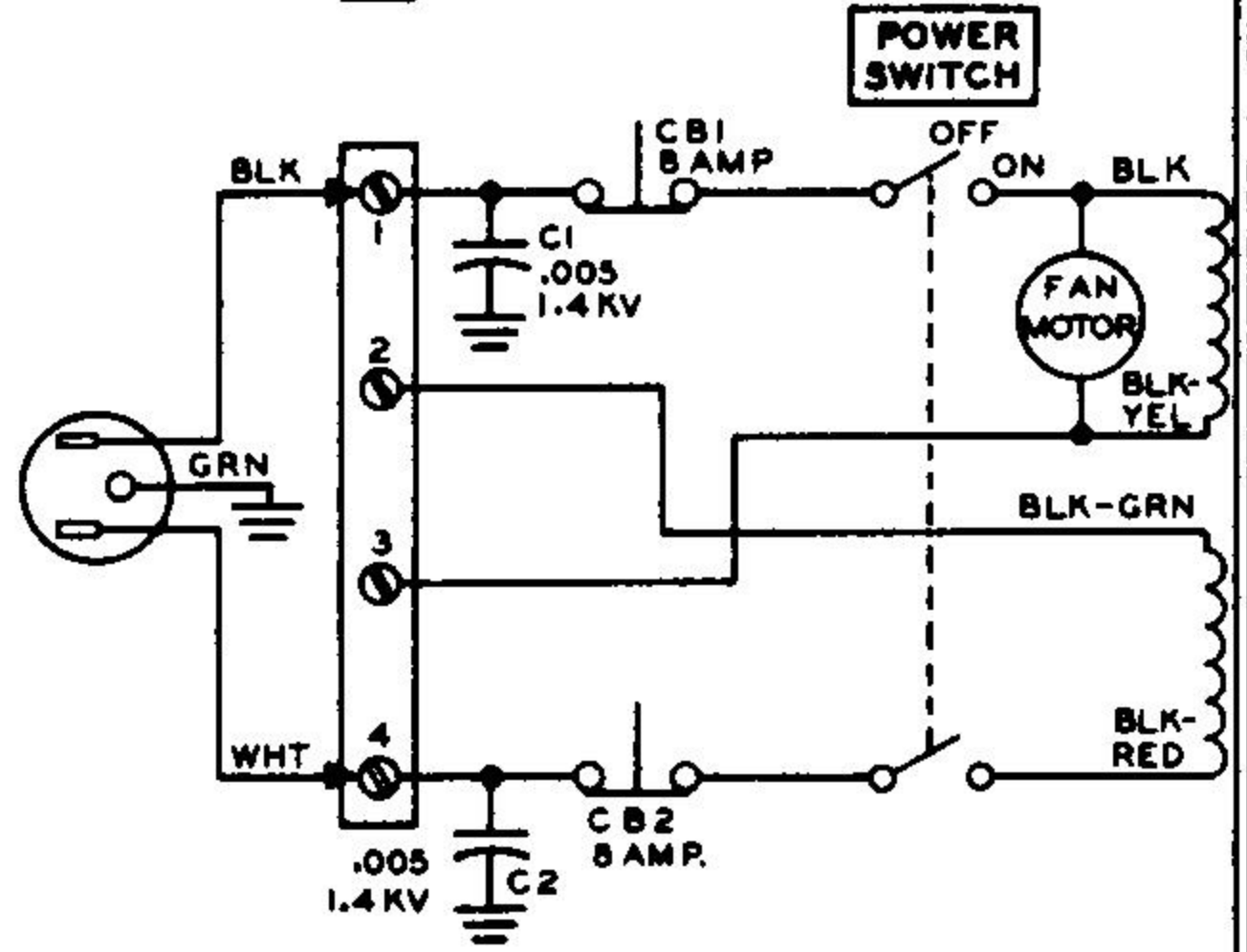
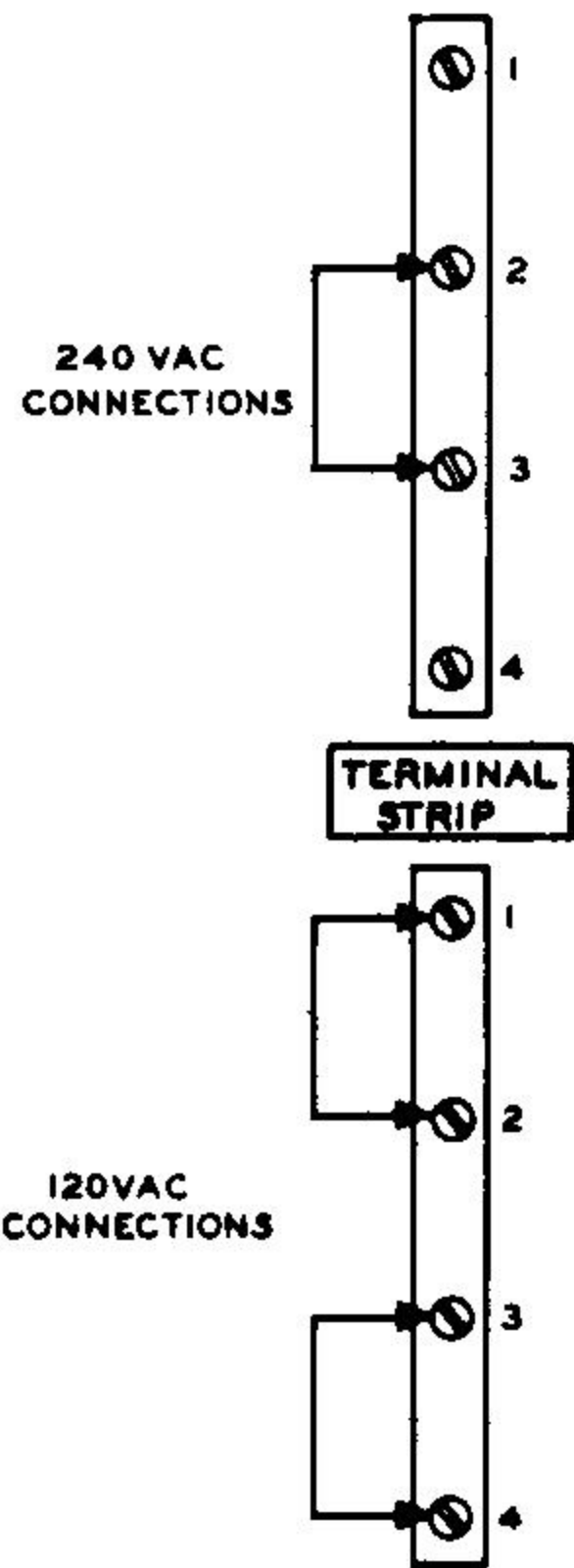


SPECIFICATIONS

Band Coverage,	80, 40, 20, 15, and 10 meters.
Maximum Power Input,	SSB: 1200 watts P.E.P. CW: 1000 watts.
Driving Power Required,	100 watts.
Duty Cycle,	SSB: continuous voice modulation. CW: 50% (key down time not to exceed 5 minutes).
Third Order Distortion,	-30 db or better at 1000 watts P.E.P.
Output Impedance,	50 to 75 Ω unbalanced; variable pi-output circuit, SWR not to exceed 2:1.
Input Impedance,	52 Ω unbalanced; broad-band pretuned input circuit requires no tuning.
Meter Functions,	0-100 ma grid current (white area). 0-1000 ma plate current. 0-1000 relative power. 1:1 to 3:1 SWR. 1500-3000 volts high voltage.
Front Panel Controls,	LOAD: 1 to 10. TUNE: 80, 40, 20, 15, and 10 meters. BAND: 80, 40, 20, 15, and 10 meters. RELative Power SENSitivity. Meter Switch: GRID, PLATE, REL PWR, SWR, and HV. Power Switch: OFF, ON.
Tube Complement,	Two 572-B (or two T-160-L) in parallel.
Power Requirements,	120 volts AC at 16 amperes (maximum). 240 volts AC at 8 amperes (maximum).
Cabinet Size,	14-7/8" wide x 6-5/8" high x 13-3/8" deep.
Net Weight,	35 lbs.



SCHEMATIC OF THE HEATHKIT® LINEAR AMPLIFIER MODEL SB-200

- NOTES:**
- ALL RESISTORS ARE 1/2 WATT UNLESS MARKED OTHERWISE.
 - ALL RESISTOR VALUES ARE IN OHMS (K=1000, MEG=1,000,000).
 - ALL CAPACITOR VALUES ARE IN μ F UNLESS MARKED OTHERWISE.
 - INDICATES VOLTAGE READING.
 - ALL VOLTAGES MEASURED WITH NO SIGNAL INPUT.
 - ALL VOLTAGES ARE DC POSITIVE UNLESS MARKED OTHERWISE.
 - ALL VOLTAGES ARE MEASURED FROM POINT INDICATED TO CHASSIS GROUND, EXCEPT AC VOLTAGES ON POWER TRANSFORMER WINDINGS.
 - VOLTAGE READINGS TAKEN WITH AN 11 MEGOHM INPUT VTVM.
 - VOLTAGES MAY VARY $\pm 10\%$.
 - ALL SWITCHES VIEWED FROM THE REAR (UNLESS MARKED OTHERWISE) AT FULL COUNTERCLOCKWISE ROTATION.
 - ARROW (→) INDICATES CLOCKWISE ROTATION OF KNOB.

