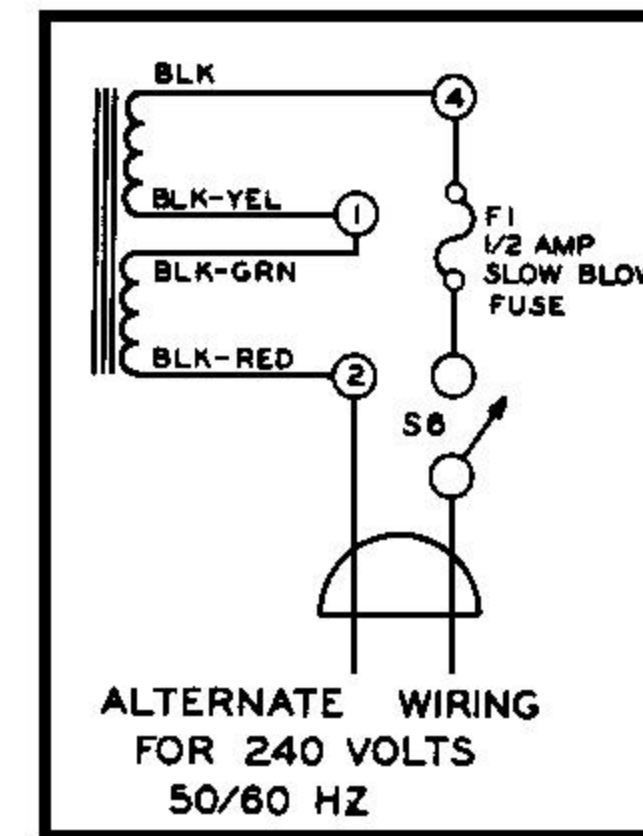
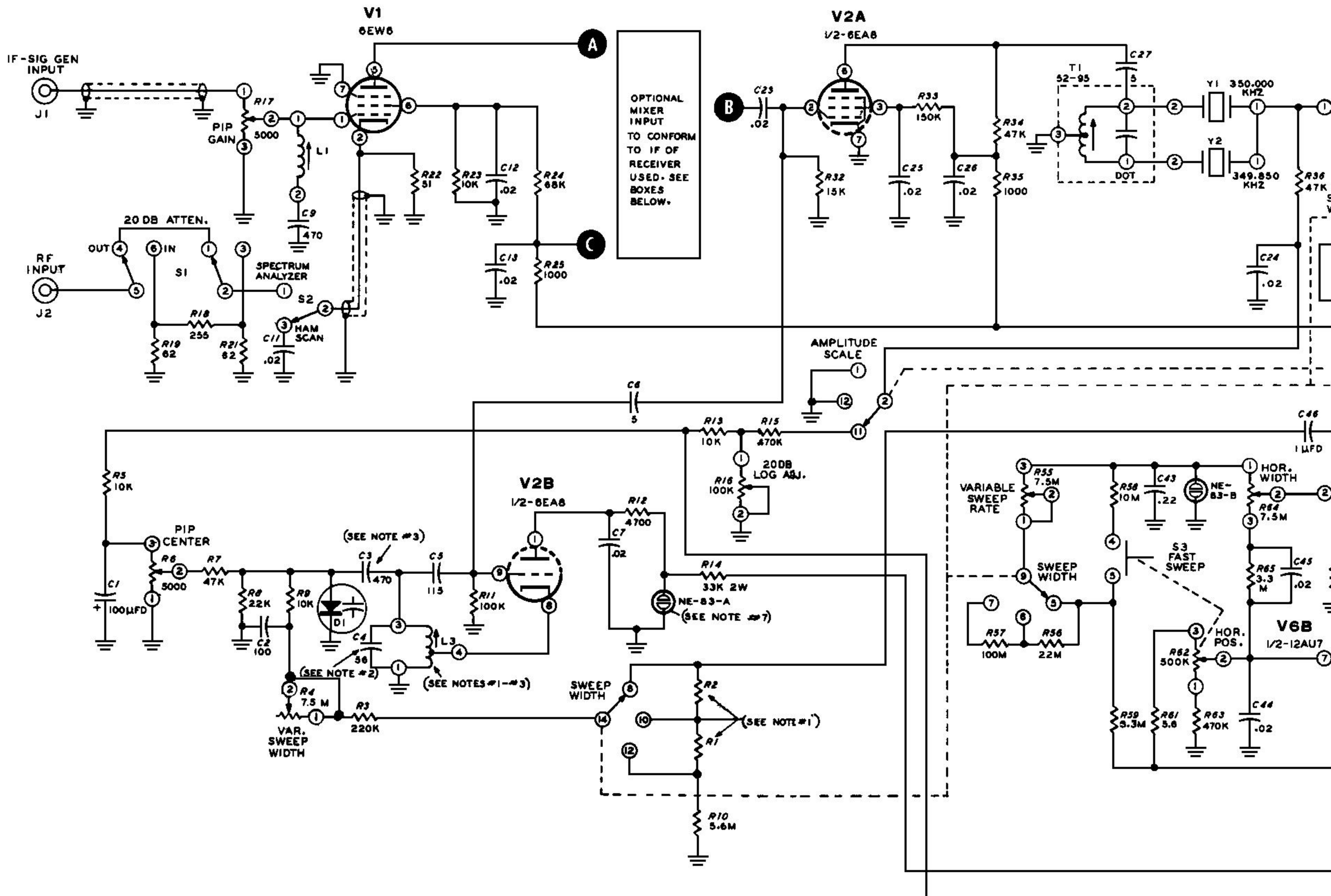


**SCHEMATIC OF THE
HEATHKIT®
SCANALYZER
MODEL SB-620**

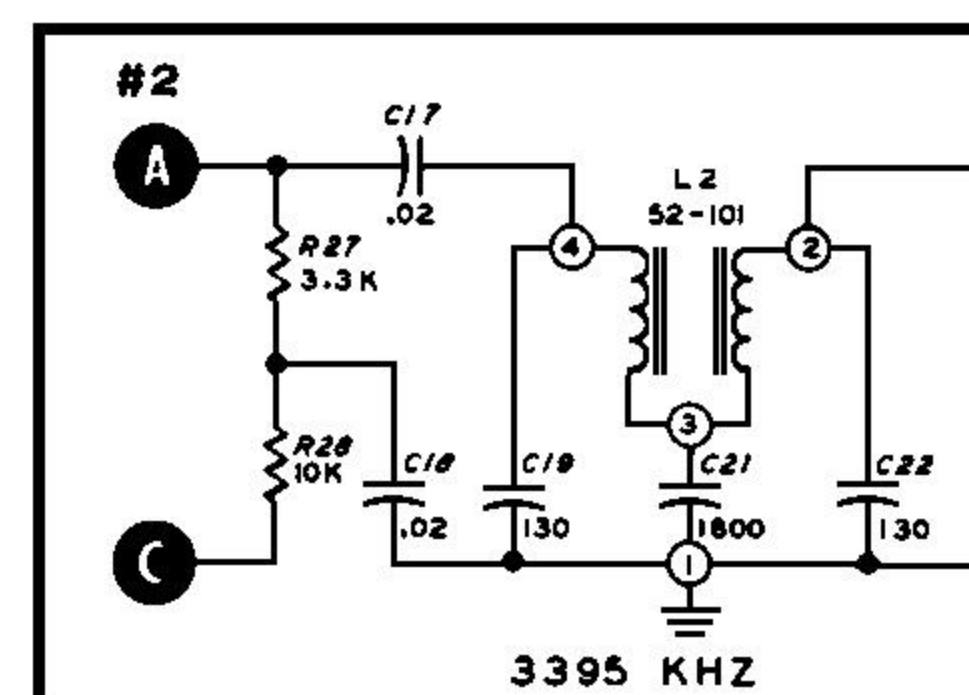
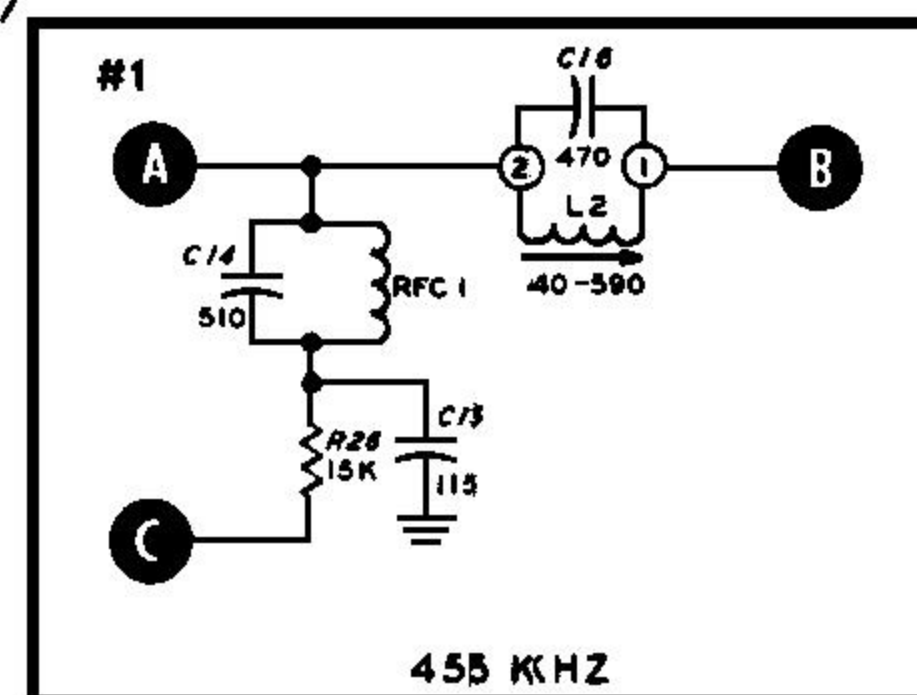
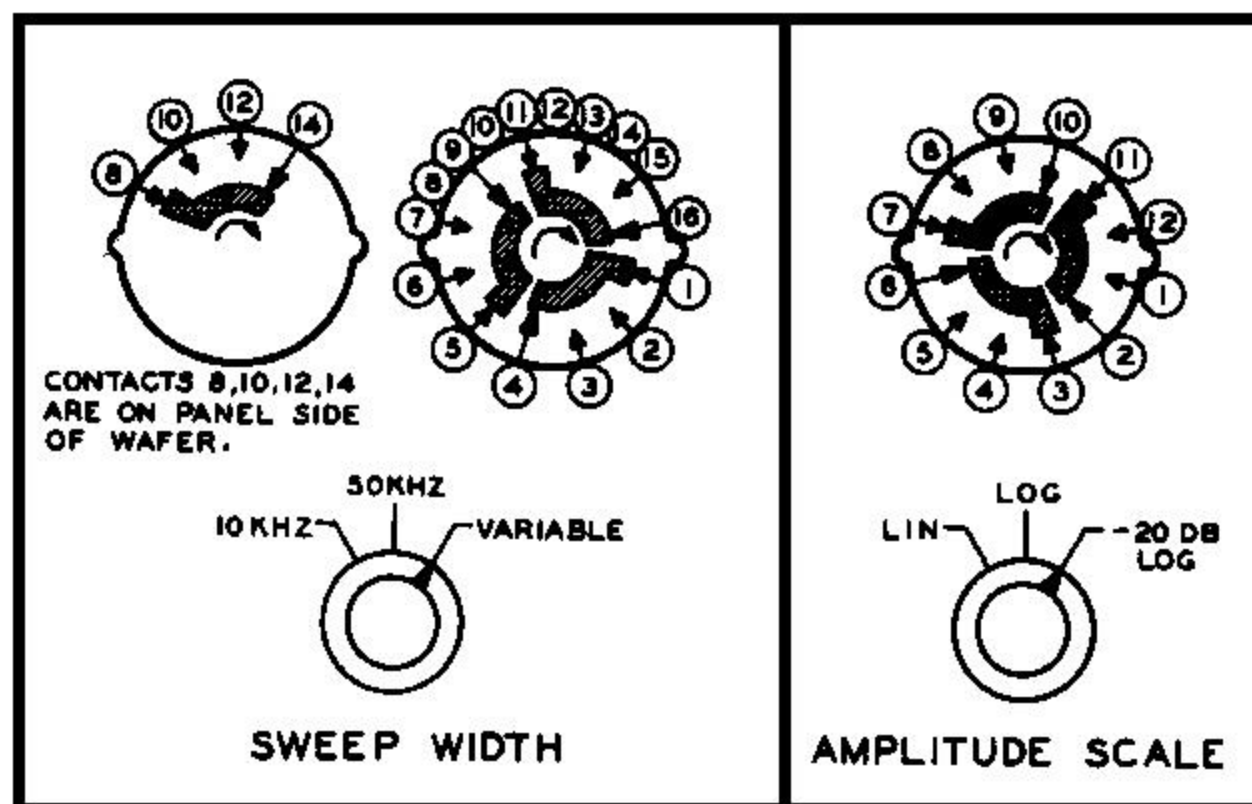
NOTES:

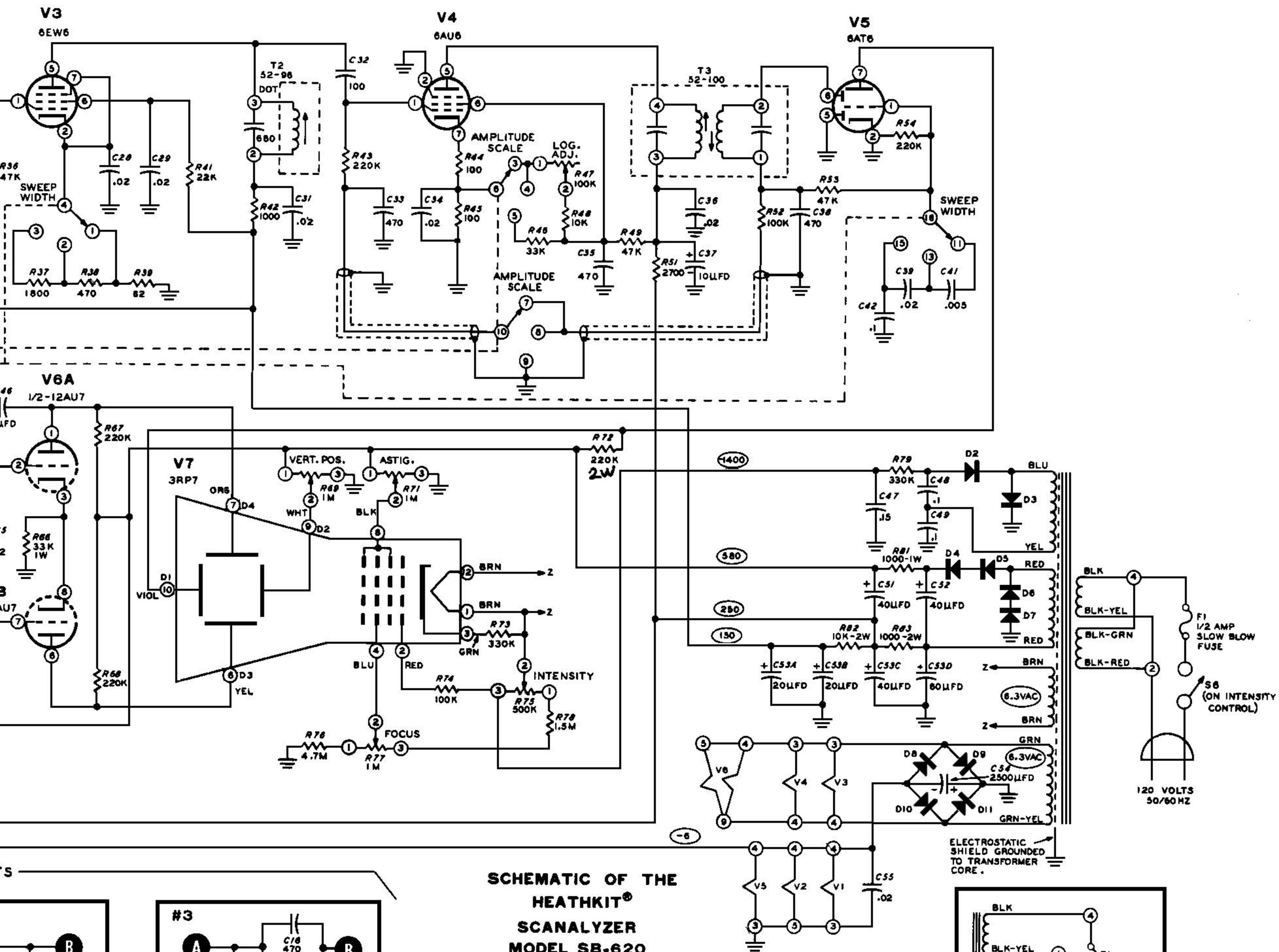
- SEE IF CHART ON PAGE 75.
- A. NO CAPACITOR USED ACROSS L3 WHEN WIRED FOR 1000 KHZ.
- B. WHEN WIRED FOR A RECEIVER IF FREQUENCY OF 455 KHZ, C4 IS 75 PF.
- WHEN OSCILLATOR COIL 40-775 IS USED AT L3, CHANGE C3 TO 260 PF.
- CAPACITOR VALUES LESS THAN 1 ARE IN μ F. VALUES OF 1 AND ABOVE ARE IN PF UNLESS OTHERWISE MARKED.
- ALL RESISTORS ARE 1/2 WATT UNLESS OTHERWISE MARKED. RESISTOR VALUES ARE IN OHMS (K = 1000, M = 1,000,000).
- SWITCH WAFERS ARE SHOWN IN FULL COUNTERCLOCKWISE ROTATION AS VIEWED FROM THE REAR. ARROWS SHOW DIRECTION OF COUNTERCLOCKWISE KNOB ROTATION.
- NE-83-A, VOLTAGE REGULATOR, IS ALSO USED AS THE PANEL "ON" INDICATOR.





OPTIONAL MIXER INPUT CIRCUITS -





**SCHEMATIC OF THE
HEATHKIT®
SCANALYZER
MODEL SB-620**

NOTES:

1. SEE IF CHART ON PAGE 75.
2. A. NO CAPACITOR USED ACROSS L3 WHEN WIRED FOR 1000 kHz.
B. WHEN WIRED FOR A RECEIVER IF FREQUENCY OF 455 kHz, C4 IS 75 pf.
3. WHEN OSCILLATOR COIL 40-775 IS USED AT L3, CHANGE C3 TO 260 pf.
4. CAPACITOR VALUES LESS THAN 1 ARE IN μ fd. VALUES OF 1 AND ABOVE ARE IN pf UNLESS OTHERWISE MARKED.
5. ALL RESISTORS ARE 1/2 WATT UNLESS OTHERWISE MARKED. RESISTOR VALUES ARE IN OHMS (K = 1000, M = 1,000,000).
6. SWITCH WAFERS ARE SHOWN IN FULL COUNTERCLOCKWISE ROTATION AS VIEWED FROM THE REAR. ARROWS SHOW DIRECTION OF COUNTERCLOCKWISE KNOB ROTATION.
7. NE-81-A, VOLTAGE REGULATOR, IS ALSO USED AS THE PANEL "ON" INDICATOR.

