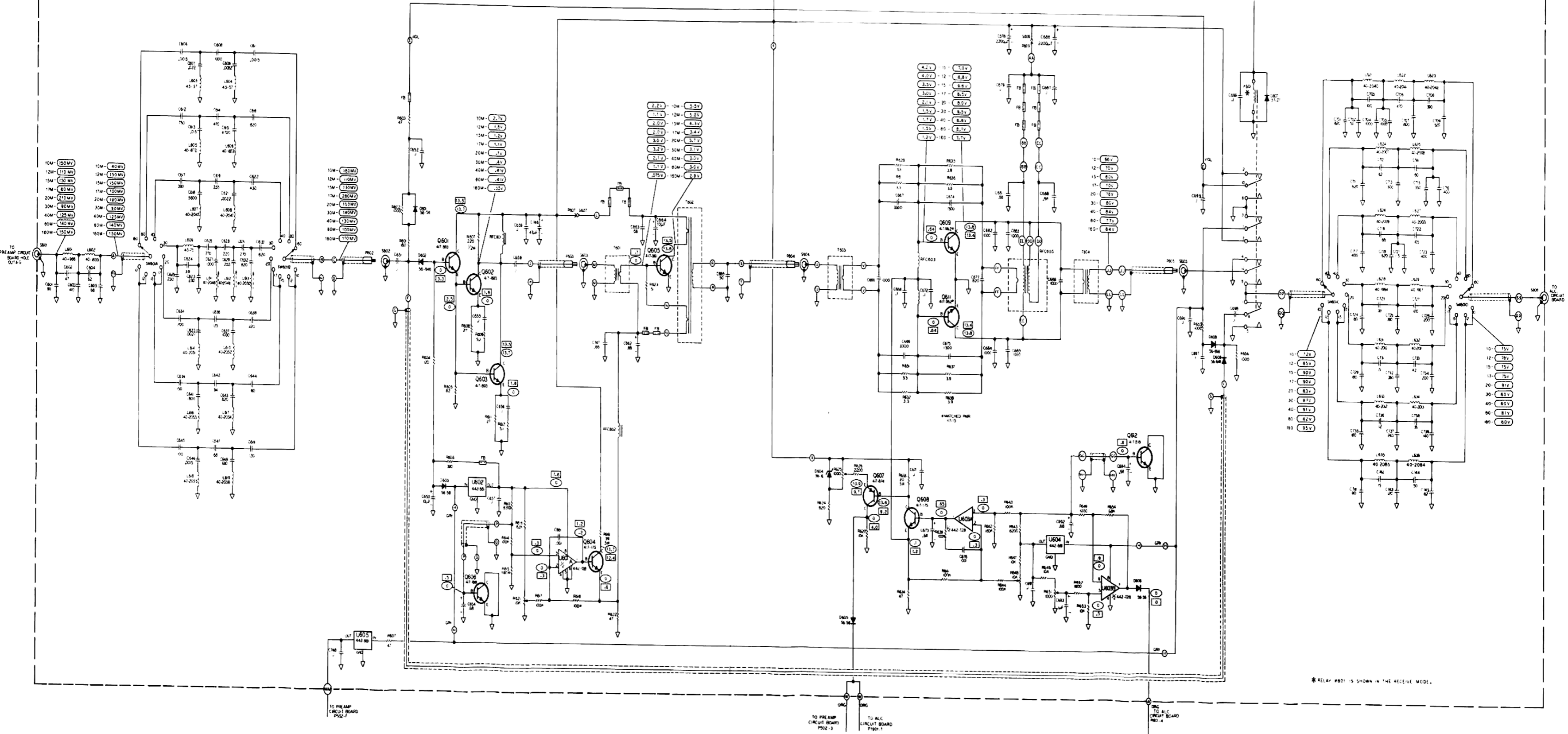


SCHEMATIC OF THE HEATHKIT HF SYNTHESIZED TRANSCEIVER MODEL SS-9000

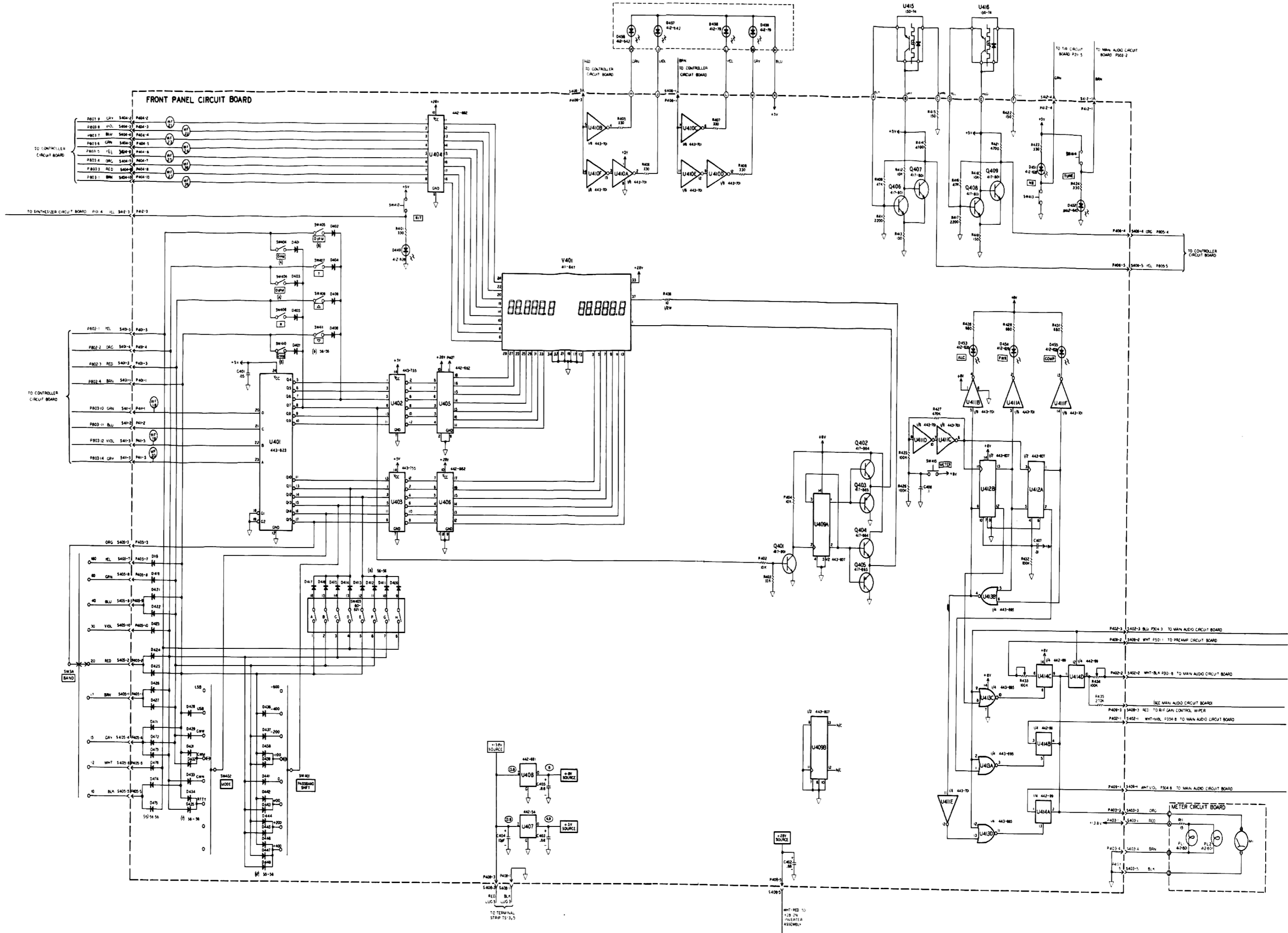
- NOTES:
- COMPONENT NUMBERS ARE IN THE FOLLOWING GROUPS:
 001-999 PARTS MOUNTED ON THE CHASSIS.
 101-199 PARTS MOUNTED ON THE SYNTHESIZER CIRCUIT BOARD.
 201-299 PARTS MOUNTED ON THE TRANSMIT/RECEIVE CIRCUIT BOARD.
 301-399 PARTS MOUNTED ON THE MAIN AUDIO CIRCUIT BOARD.
 401-499 PARTS MOUNTED ON THE FRONT PANEL CIRCUIT BOARD.
 501-599 PARTS MOUNTED ON THE PREAMP CIRCUIT BOARD.
 601-699 PARTS MOUNTED ON THE POWER AMP CIRCUIT BOARD.
 801-899 PARTS MOUNTED ON THE CONTROLLER CIRCUIT BOARD.
 901-999 PARTS MOUNTED ON THE BANDPASS FILTER CIRCUIT BOARD.
 1001-1099 PARTS MOUNTED ON THE INVERTER CIRCUIT BOARD.
 1201-1299 PARTS MOUNTED ON THE POWER INTERFACE CIRCUIT BOARD.
 1401-1499 PARTS MOUNTED ON THE MOTOR DRIVE CIRCUIT BOARD.
 1601-1699 PARTS MOUNTED ON THE ALC CIRCUIT BOARD.

- ALL RESISTORS ARE 1/4-WATT, 5% TOLERANCE, UNLESS OTHERWISE NOTED. RESISTOR VALUES ARE IN OHMS (A-1000; M-1,000,000).
- CAPACITORS LESS THAN 1 ARE IN PF (PICOFARADS). ALL OTHER CAPACITORS ARE IN P.F. (PICOFARADS) UNLESS OTHERWISE NOTED.
- ARROWS ON CONTROLS INDICATE CLOCKWISE ROTATION AS VIEWED FROM THE KNOB SIDE OF THE CONTROL.
- THIS SYMBOL INDICATES A POSITIVE DC VOLTAGE MEASURED WITH A HIGH IMPEDANCE VOLTMETER FROM THE POINT INDICATED TO CHASSIS GROUND (RECEIVE MODE, NO SIGNAL INPUT).
- THIS SYMBOL INDICATES A POSITIVE DC VOLTAGE MEASURED WITH A HIGH IMPEDANCE VOLTMETER FROM THE POINT INDICATED TO CHASSIS GROUND (TRANSMIT MODE).
- THIS SYMBOL INDICATES CIRCUIT BOARD GROUND.
- THIS SYMBOL INDICATES CHASSIS GROUND.
- THIS SYMBOL INDICATES A SOLDERED CONNECTION TO A CIRCUIT BOARD.
- THIS SYMBOL INDICATES A PLUG AND SOCKET.
- SEE YOUR "SERVICE MANUAL" FOR WAVEFORMS.
- REFER TO THE "CIRCUIT BOARD X-RAY VIEWS" FOR THE PHYSICAL LOCATION OF PARTS.
- THIS SYMBOL WITH A NUMBER CORRESPONDS TO A WAVEFORM SHOWN IN THE "WAVEFORM" SECTION OF THE SERVICE MANUAL (PAGE 144).

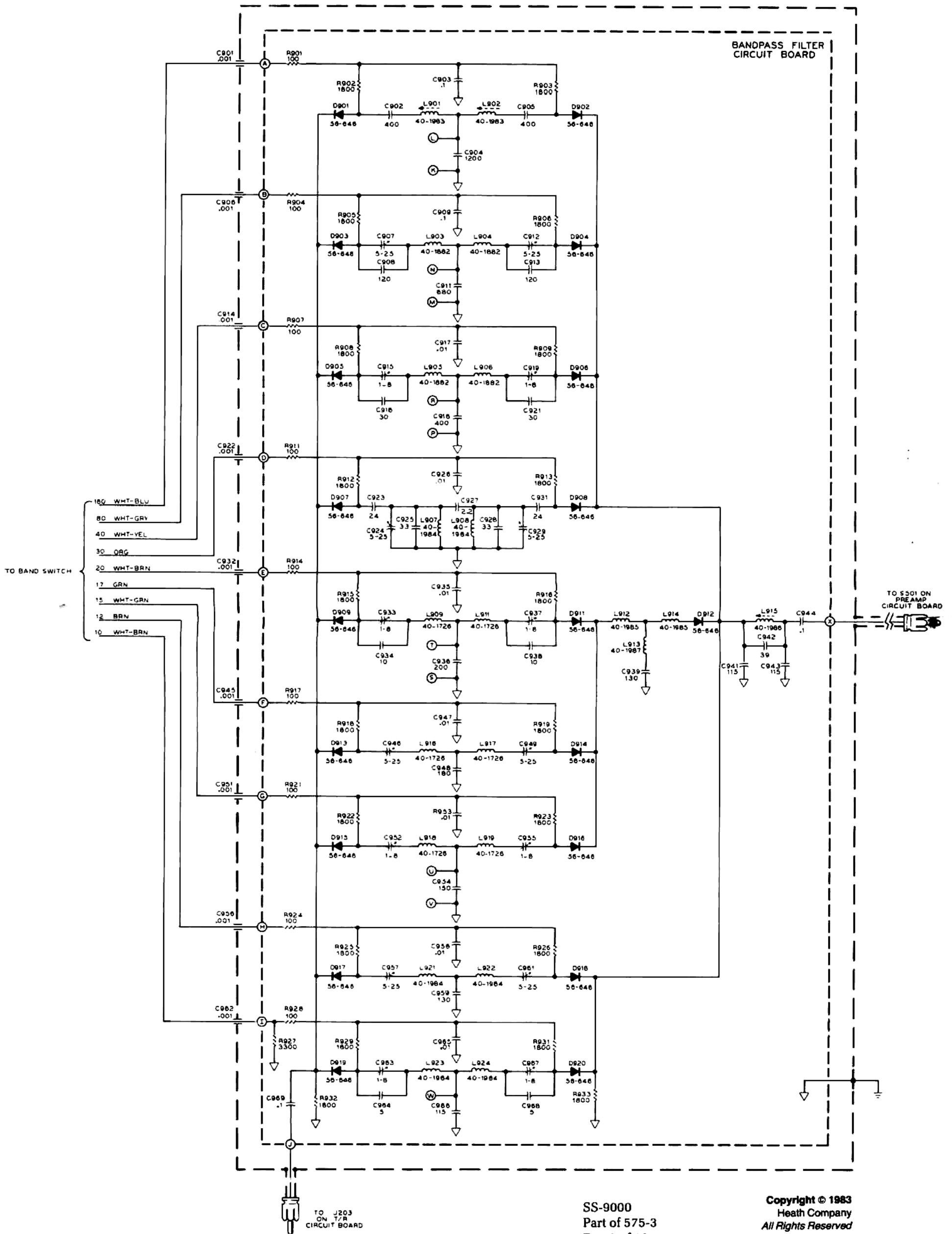
**POWER AMPLIFIER
CIRCUIT BOARD**

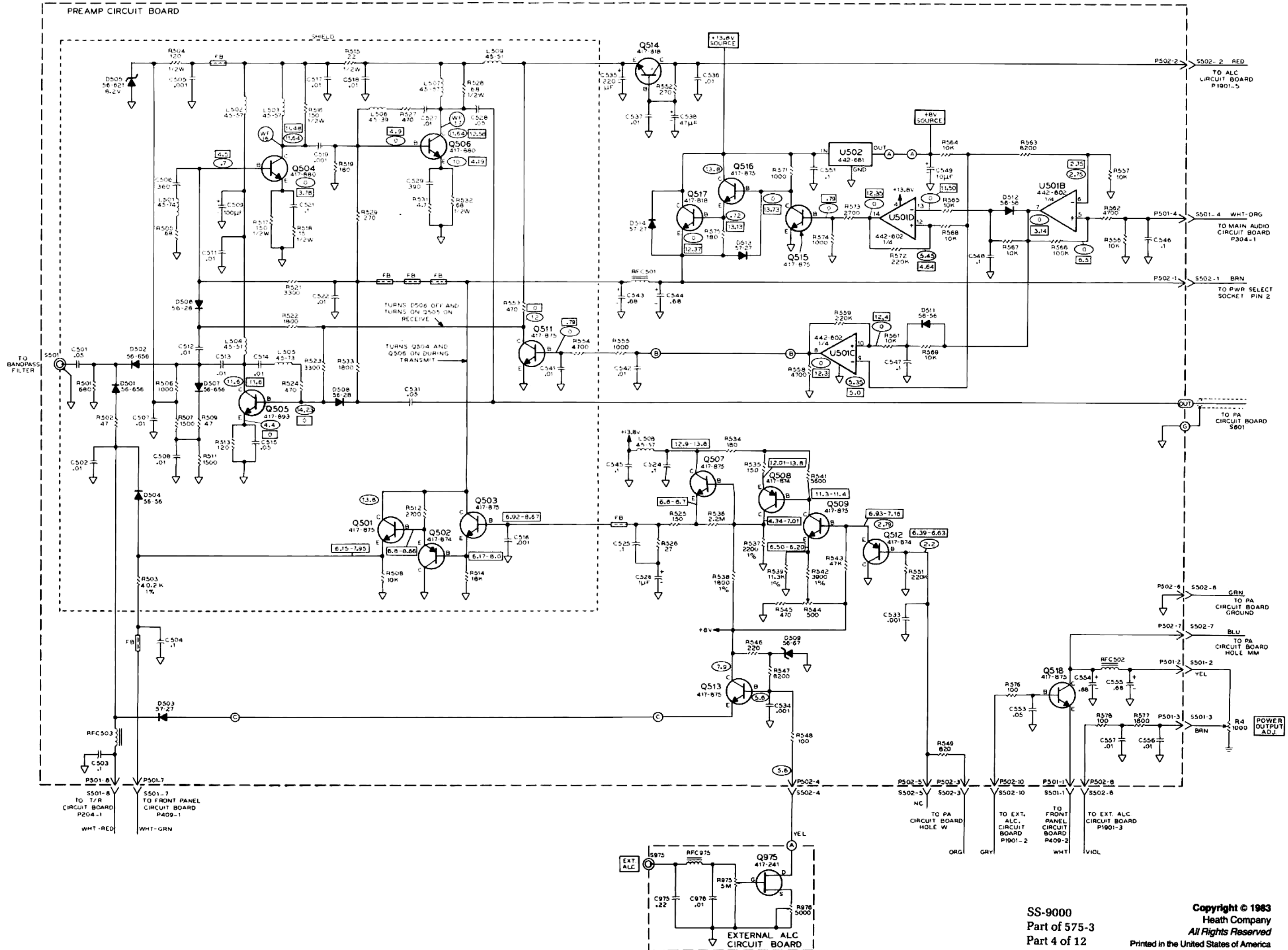


FRONT PANEL CIRCUIT BOARD



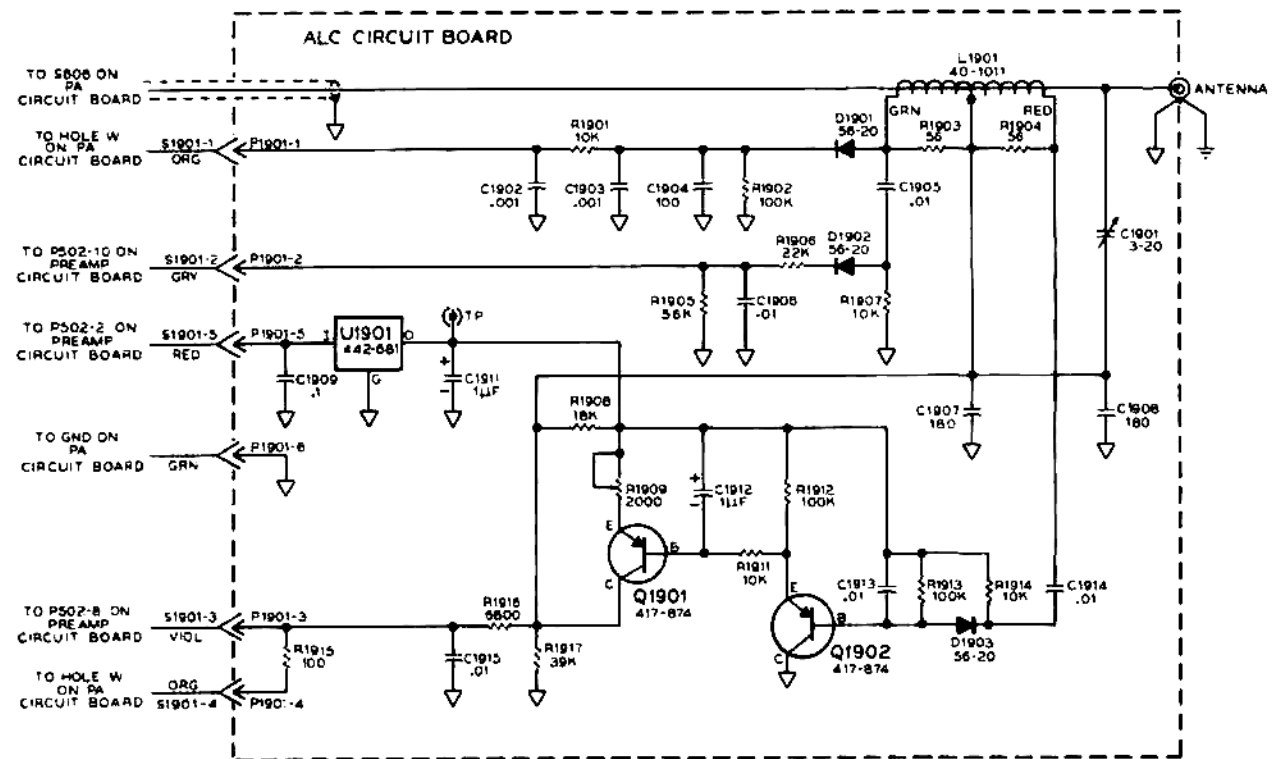
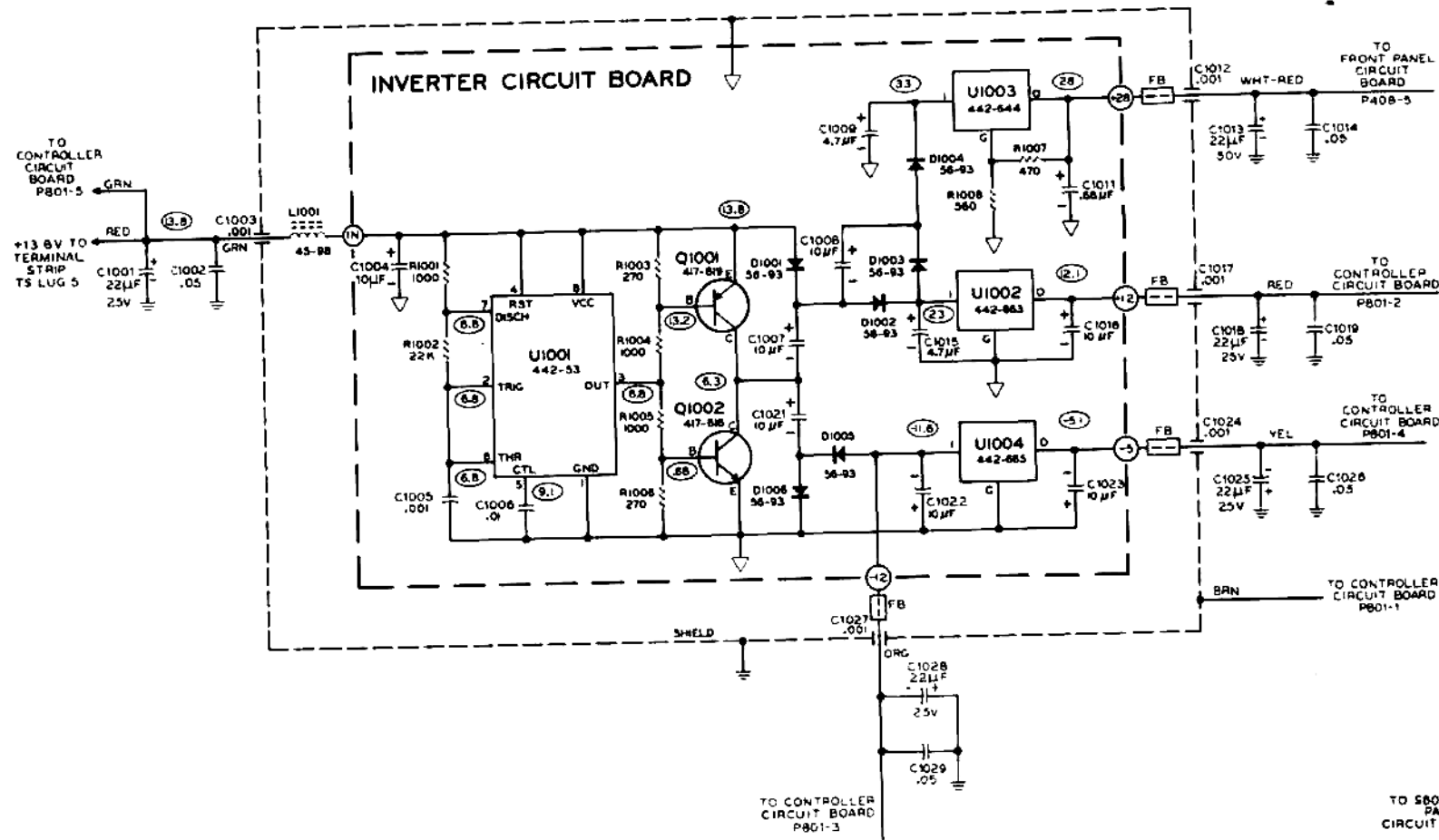
BANDPASS FILTER
CIRCUIT BOARD

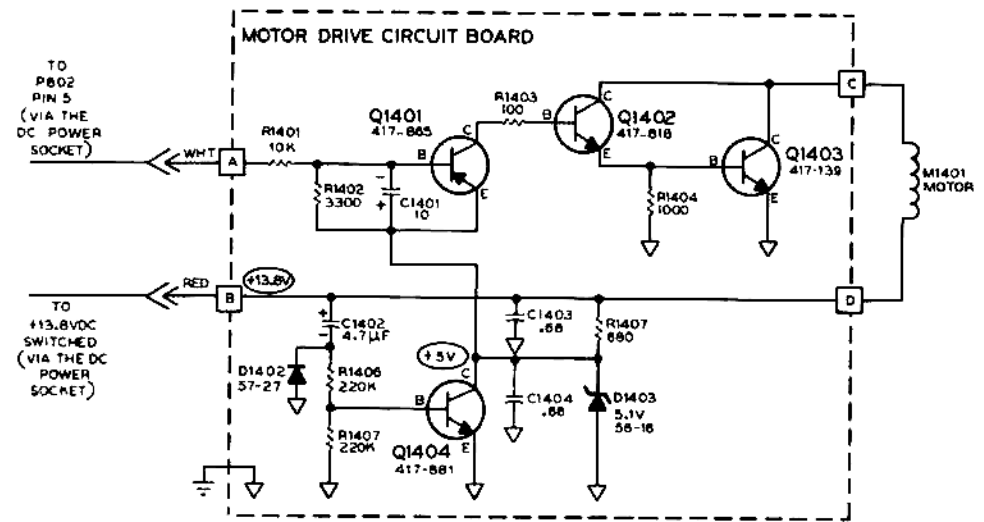
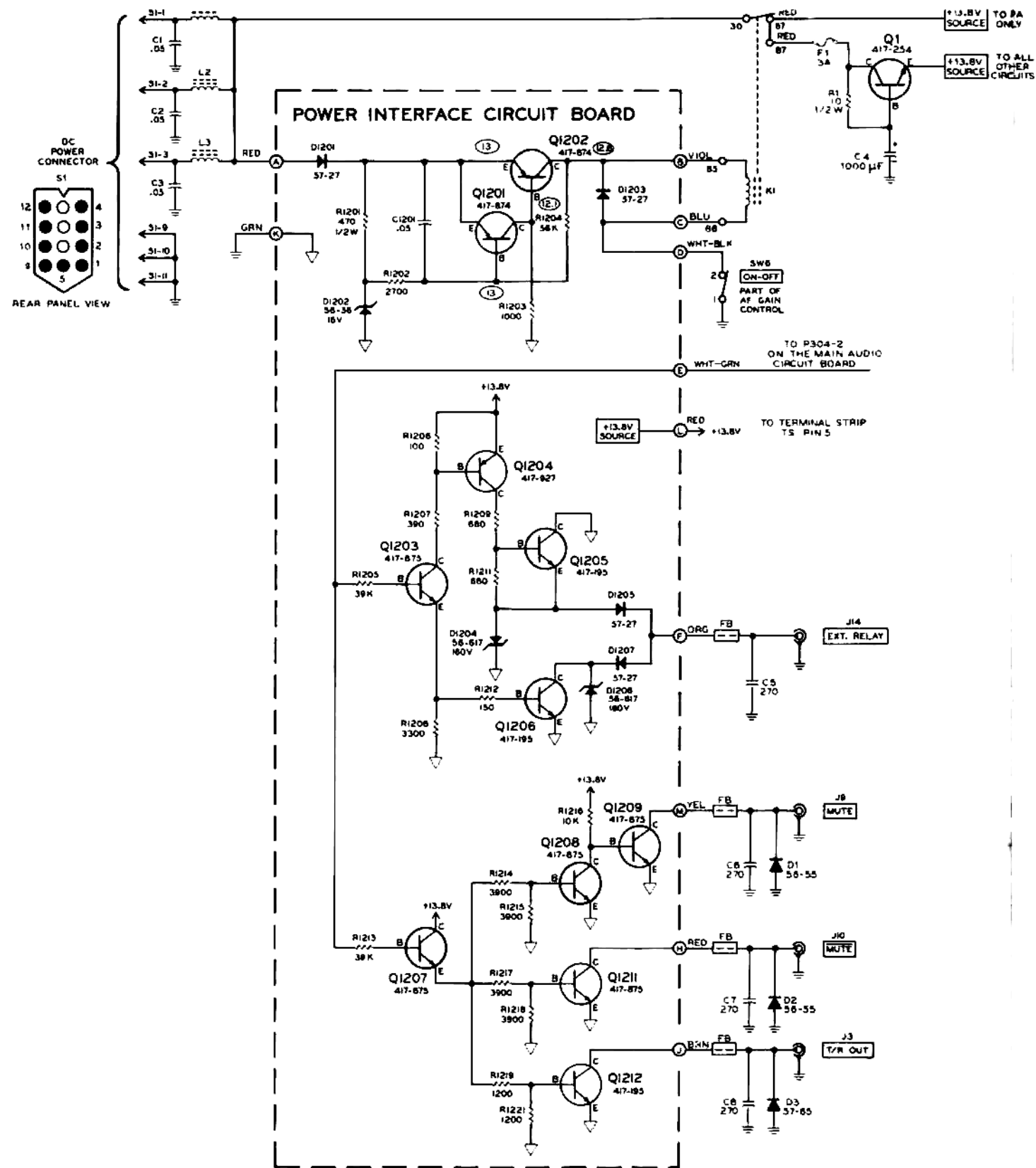


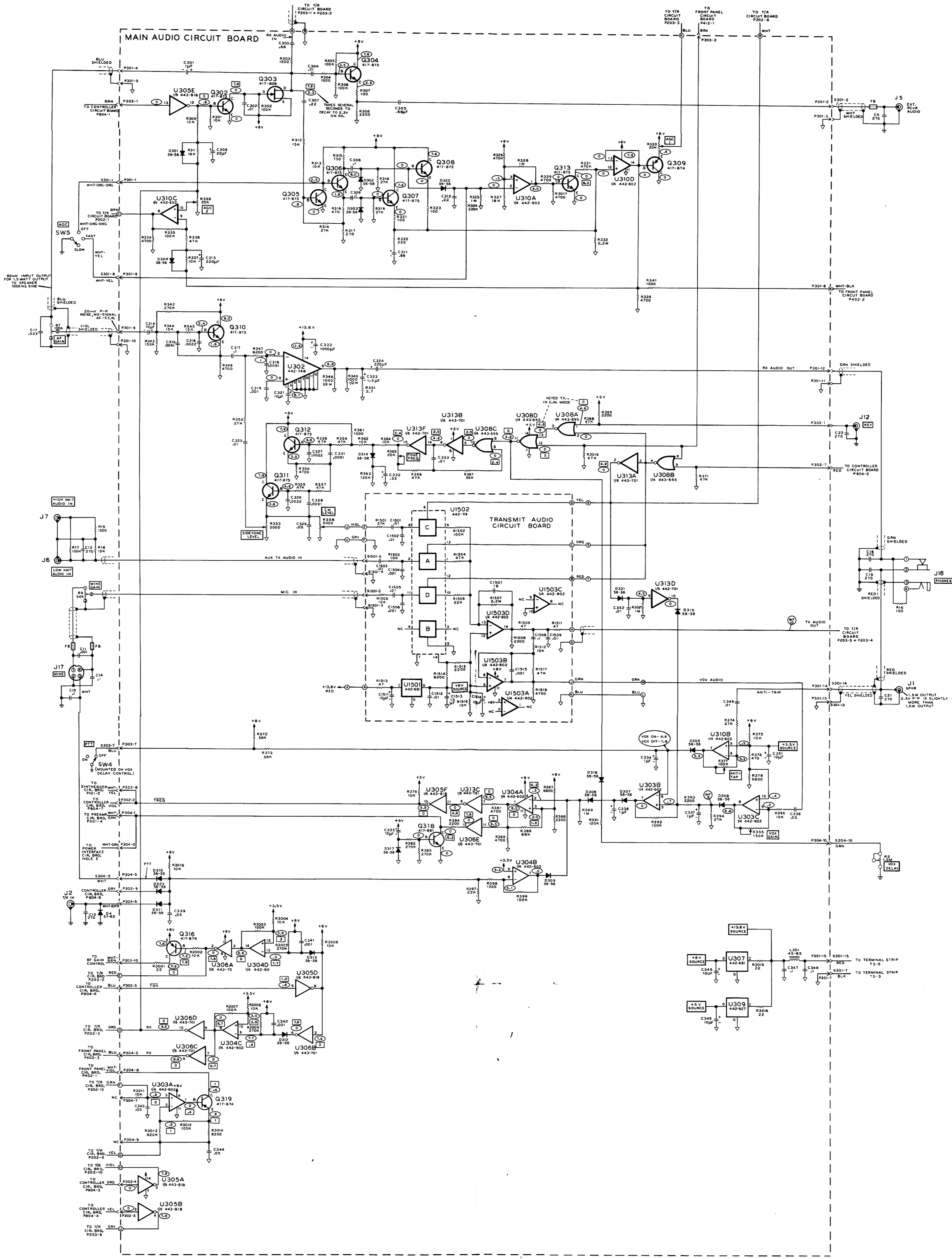


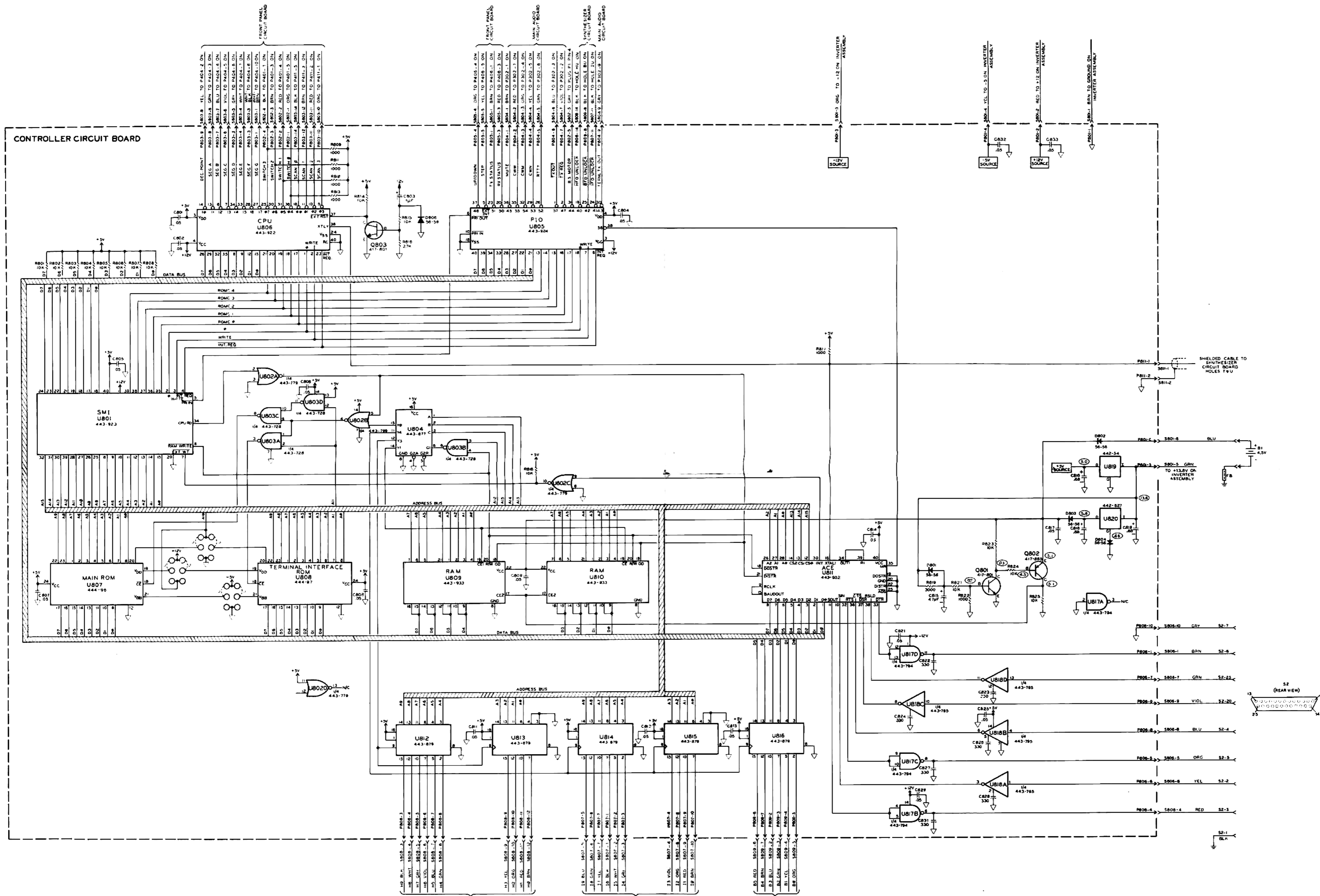
SS-900
Part of 575-3
Part 4 of 12

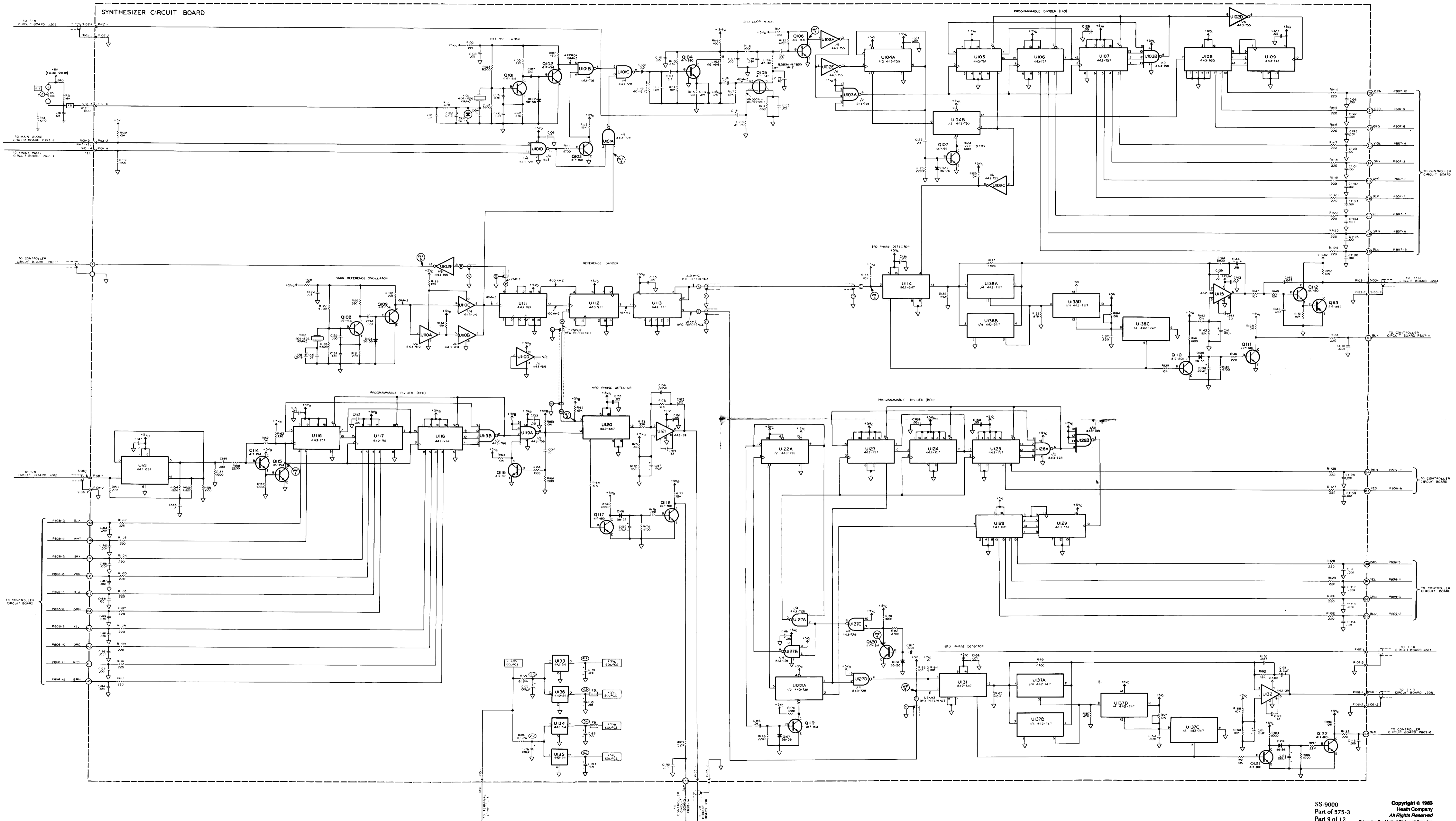
Copyright © 1983
Heath Company
All Rights Reserved
Printed in the United States of America

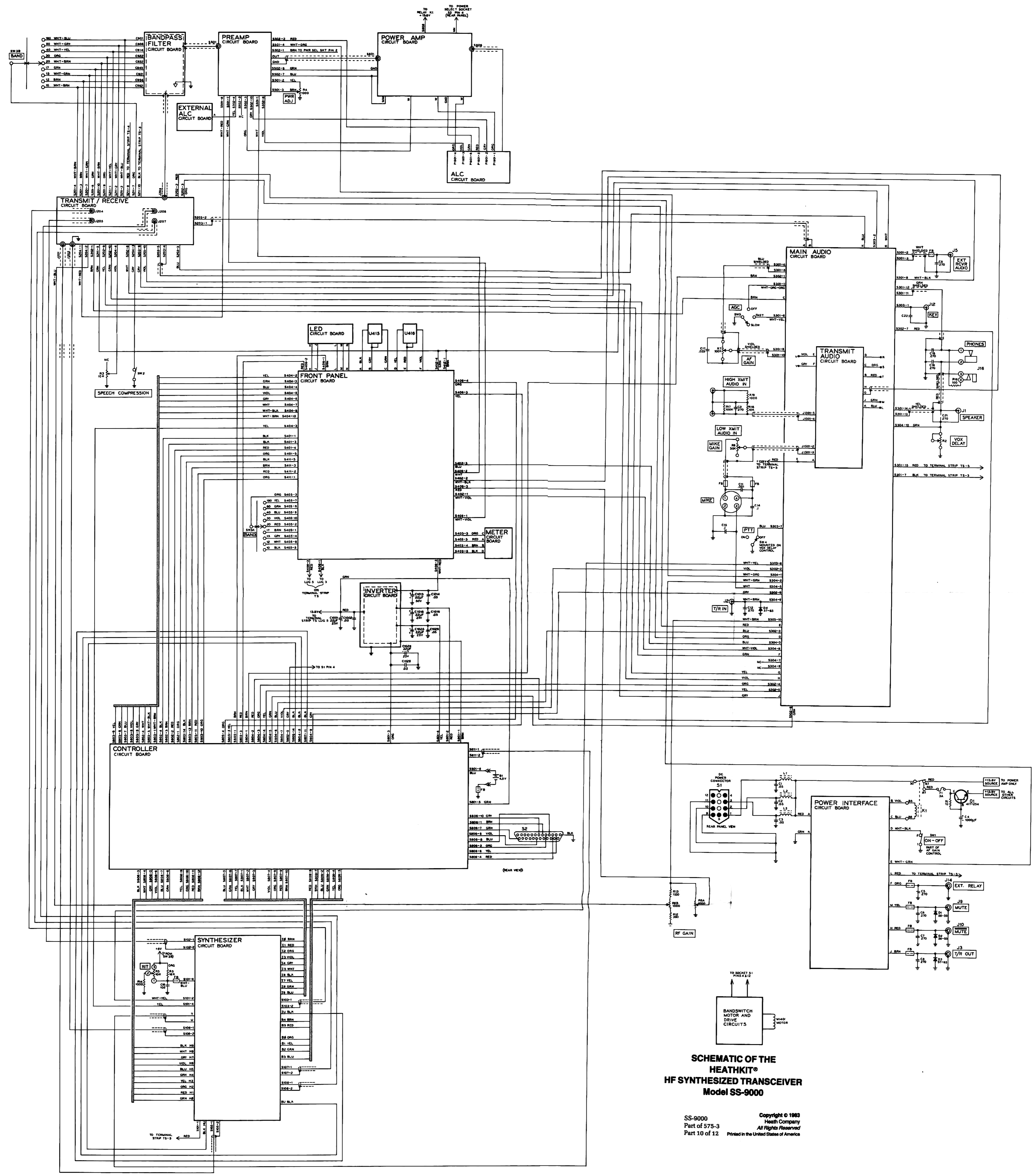




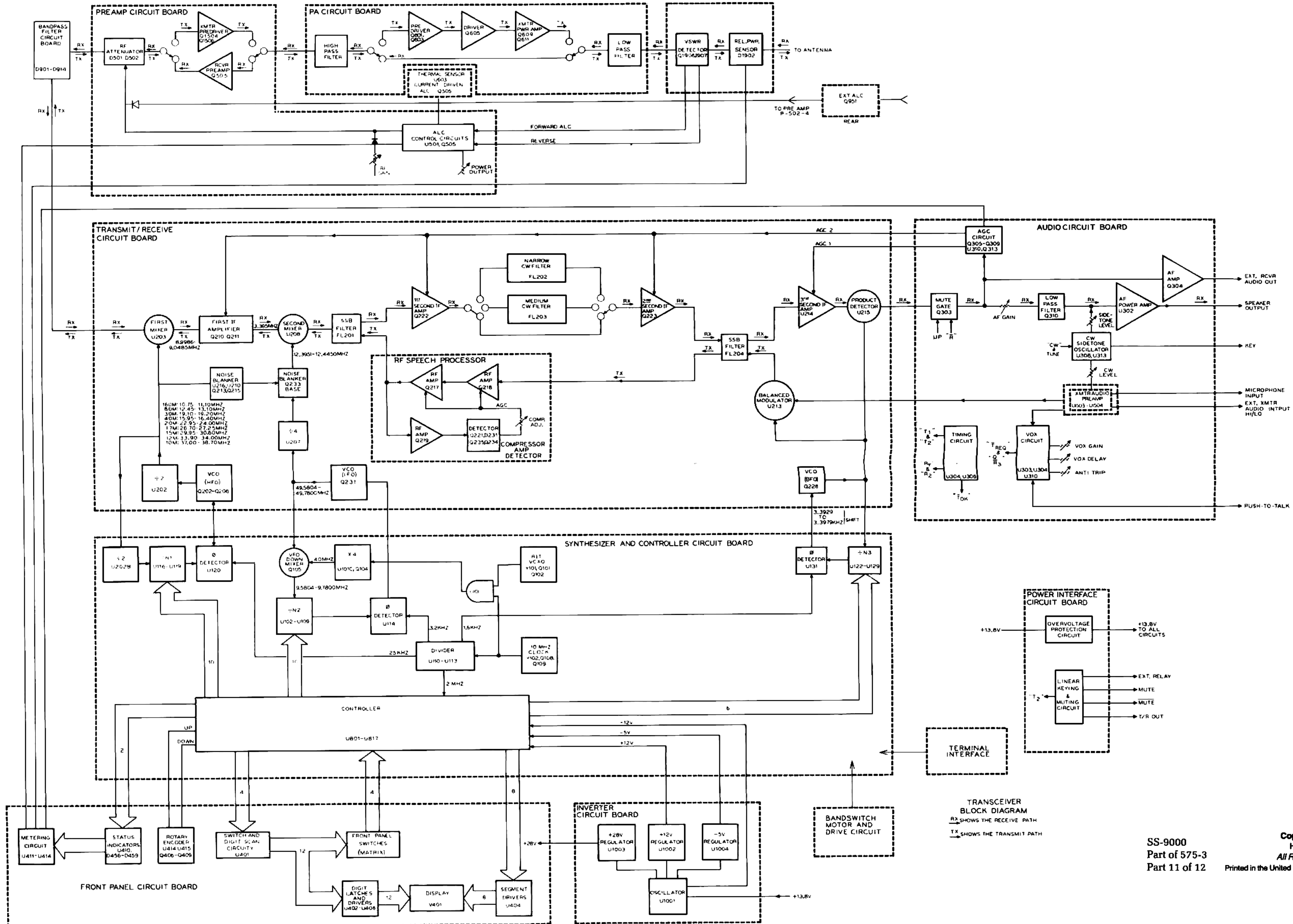








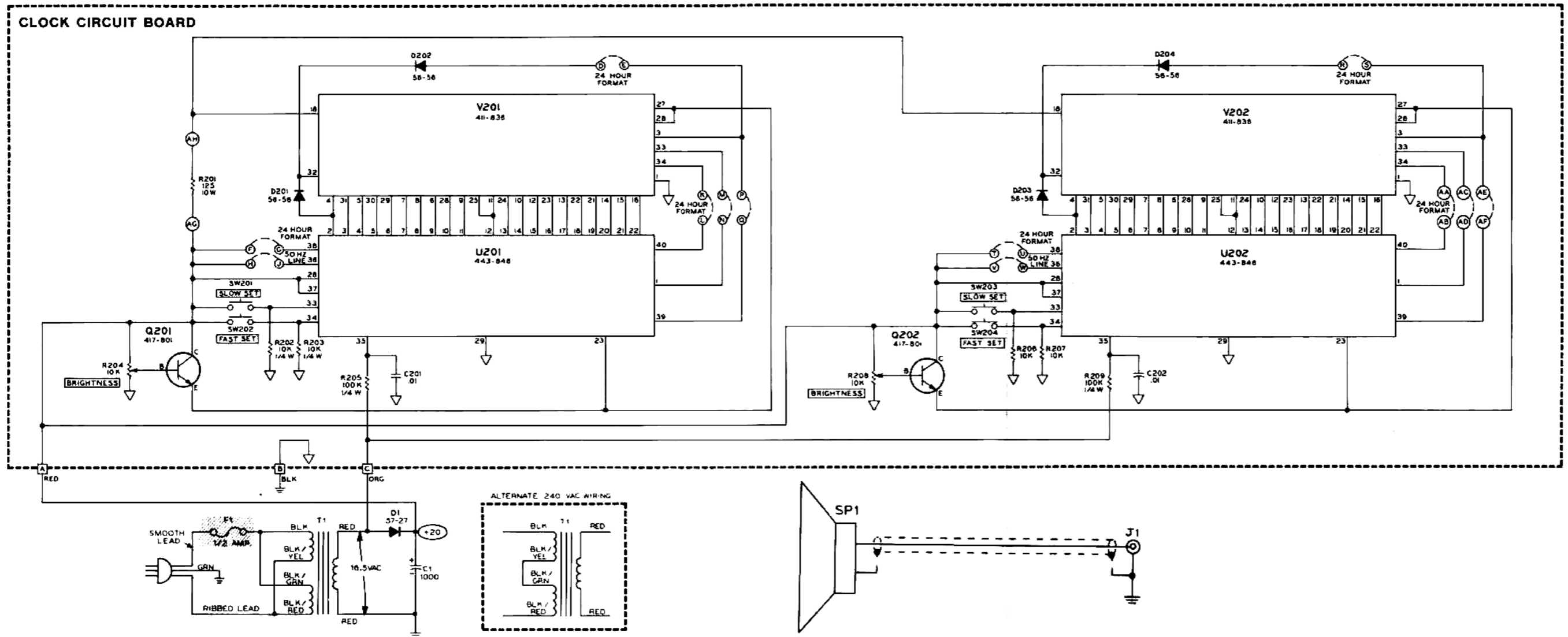
**SCHEMATIC OF THE
HEATHKIT®
HF SYNTHESIZED TRANSCEIVER
Model SS-900**



TRANSCIVER
BLOCK DIAGRAM
RX SHOWS THE RECEIVE PATH
TX SHOWS THE TRANSMIT PATH

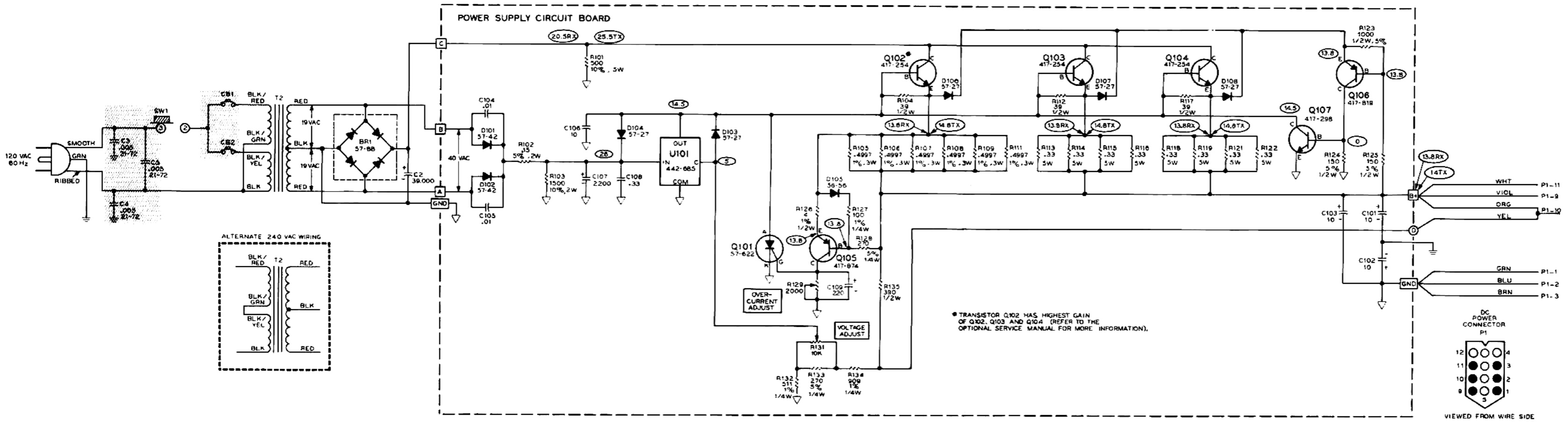
SS-9000
Part of 575-3
Part 11 of 12

Copyright © 1983
Heath Company
All Rights Reserved
Printed in the United States of America



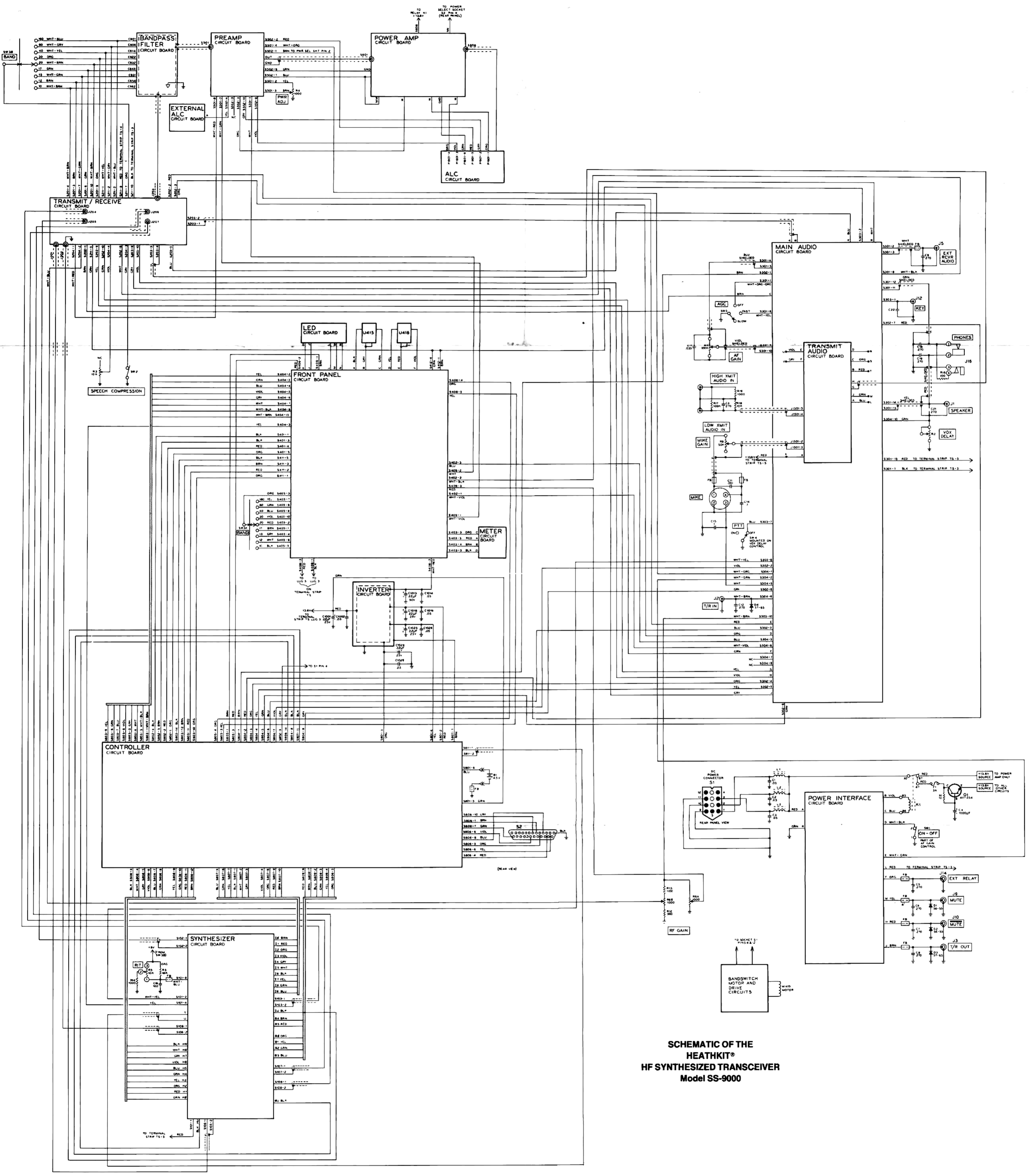
**SCHEMATIC OF THE
HEATHKIT®
POWER SUPPLY/SPEAKER/
DUAL CLOCK
MODEL PS-9000**

- COMPONENT NUMBERS ARE IN THE FOLLOWING GROUPS:
1-99 CHASSIS MOUNTED PARTS.
100-199 PARTS MOUNTED ON THE POWER SUPPLY CIRCUIT BOARD.
200-299 PARTS MOUNTED ON THE CLOCK CIRCUIT BOARD.
- ALL RESISTORS ARE IN OHMS (K= 1000).
- ALL CAPACITORS ARE IN µF.
- THIS SYMBOL WITH A LETTER IN IT INDICATES A WIRE CONNECTION TO THE CIRCUIT BOARD.
- THIS SYMBOL INDICATES CIRCUIT BOARD GROUND.
- THIS SYMBOL INDICATES CHASSIS GROUND.
- THIS SYMBOL WITH A NUMBER IN IT INDICATES THE DC VOLTAGE TO CHASSIS GROUND FROM THE POINT INDICATED. READINGS SHOULD BE VALID FOR ALL NORMAL POWER SUPPLY OPERATING CONDITIONS.
- COMPONENTS IN THE SHADED AREAS ARE CRITICAL TO CONTINUED PRODUCT SAFETY. REPLACE THEM ONLY WITH PARTS OF THE SAME RATING OR WITH PROPER HEATH REPLACEMENT PARTS.
- THE CLOCKS MAY BE INDIVIDUALLY CHANGED TO INDICATE IN A 12-HOUR FORMAT. TO CHANGE THE CLOCKS, REMOVE OR CUT THE FOLLOWING JUMPER WIRES:
 - LEFT-HAND CLOCK
 - K TO L
 - M TO N
 - P TO Q
 - F TO G
 - D TO E
 - RIGHT-HAND CLOCK
 - AA TO AB
 - AC TO AD
 - AE TO AF
 - R TO S
 - T TO U



Copyright © 1982
HEATH COMPANY
All Rights Reserved
Printed in the United States of America

Part of 597-2760
&
575-3



**SCHEMATIC OF THE
HEATHKIT®
HF SYNTHESIZED TRANSCEIVER
Model SS-9000**

