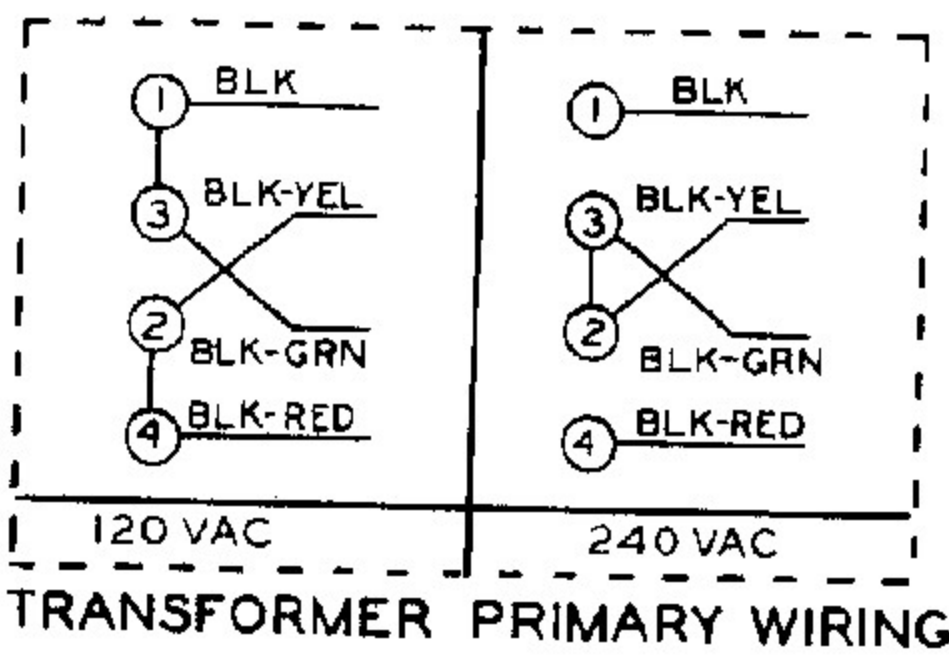
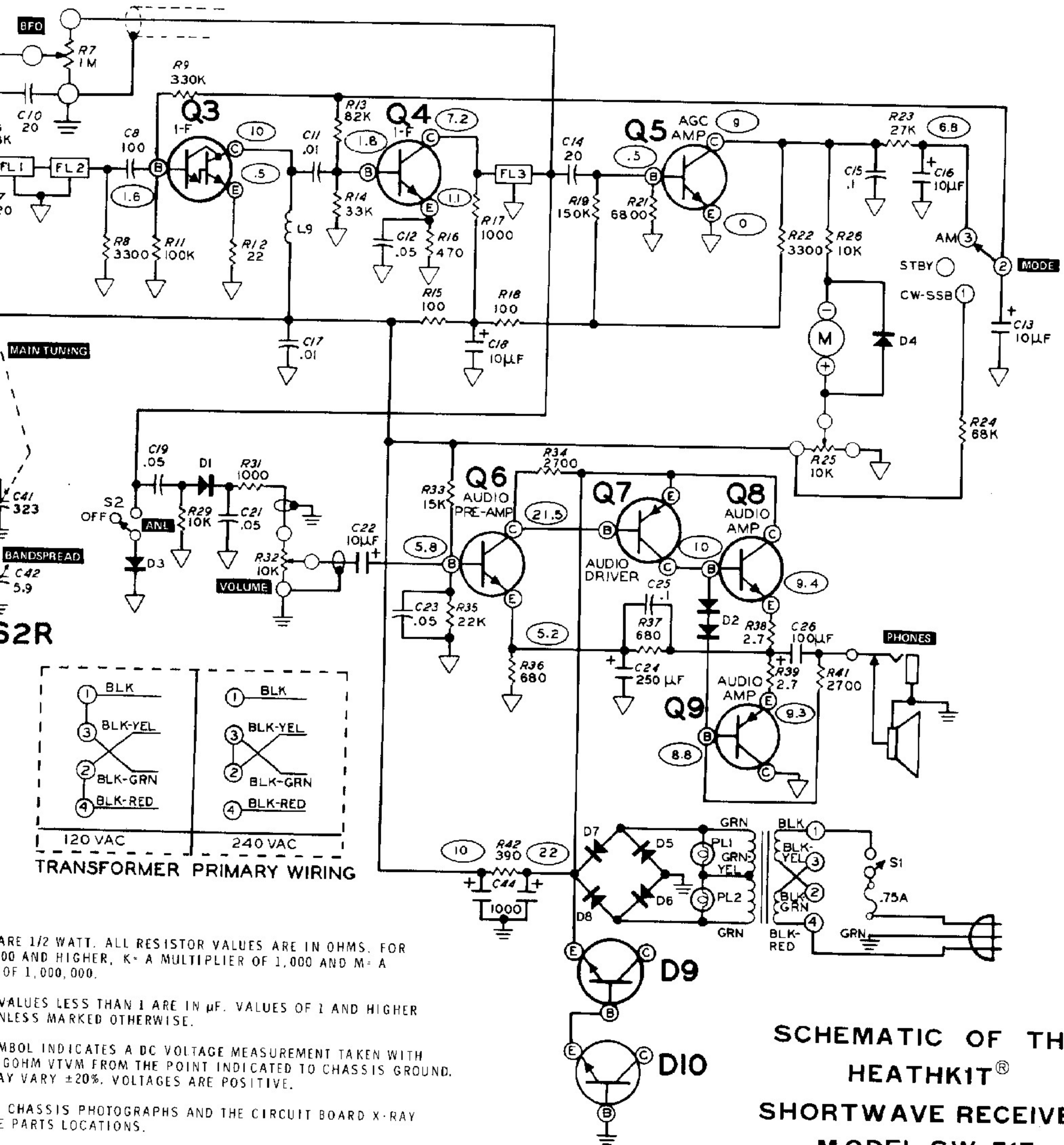


PART NO.	COMPONENT	TYPE NUMBER	BOTTOM VIEW
417-169	Q1	MPF 105	
417-240	Q2	40673	
417-222 417-91 417-118 417-201	Q3 Q4, Q5 Q6, D9, D10 Q7	2N5308 2N5232A 2N3393 X29A829	
417-224 417-225	Q8 Q9	MPSU05 MPSU55	
56-26	D1, D3, D4	1N191	
56-61	D2	STB-620	
57-65	D5, D6, D7, D8	1N4002	
56-19	ZD1	ZENER, 9.1V, 25MA, 1W	

NOTES:

- RESISTORS ARE 1/2 WATT. ALL RESISTOR VALUES 10,000 AND HIGHER, K= A MULTIPLIER OF 1,000,000.
- CAPACITOR VALUES LESS THAN 1 ARE IN PF UNLESS MARKED OTHERWISE.
- THIS SYMBOL INDICATES A DC VOLTAGE. AN 11 MEGOHM VTVM FROM THE POINTS INDICATED. VOLTAGES MAY VARY ±20%.
- REFER TO THE CHASSIS PHOTOGRAPHS FOR THE PARTS LOCATIONS.
- BANDSWITCH WAFERS ARE VIEWED FROM THE FRONT. THE ARROW SHOWS THE PIN CONNECTS THE OPPOSITE SIDES OF THE WAFER.
- CONNECTIONS FOR THE POWER TRANSFORMER IN THE BOXED INSET DRAWING.



ALL RESISTORS ARE 1/2 WATT. ALL RESISTOR VALUES ARE IN OHMS. FOR 100 AND HIGHER, K = A MULTIPLIER OF 1,000 AND M = A MULTIPLIER OF 1,000,000.

VALUES LESS THAN 1 ARE IN  $\mu$ F. VALUES OF 1 AND HIGHER UNLESS MARKED OTHERWISE.

SYMBOL INDICATES A DC VOLTAGE MEASUREMENT TAKEN WITH 50 OHM VTVM FROM THE POINT INDICATED TO CHASSIS GROUND. VALUES MAY VARY  $\pm 20\%$ . VOLTAGES ARE POSITIVE.

SEE CHASSIS PHOTOGRAPHS AND THE CIRCUIT BOARD X-RAY FOR PARTS LOCATIONS.

TRANSFORMER WAFERS ARE VIEWED FROM THE REAR. SWITCH CONTACTS ARE SHOWN FROM THE FRONT. THE ARROW SHOWS THE DIRECTION OF ROTATION. A TIE LINE INDICATES THE OPPOSITE SIDES OF THE ROTOR OF WAFER #1.

FOR THE POWER TRANSFORMER PRIMARY WIRES ARE SHOWN IN THE INSET DRAWING.

**SCHEMATIC OF THE  
HEATHKIT®  
SHORTWAVE RECEIVER  
MODEL SW-717**