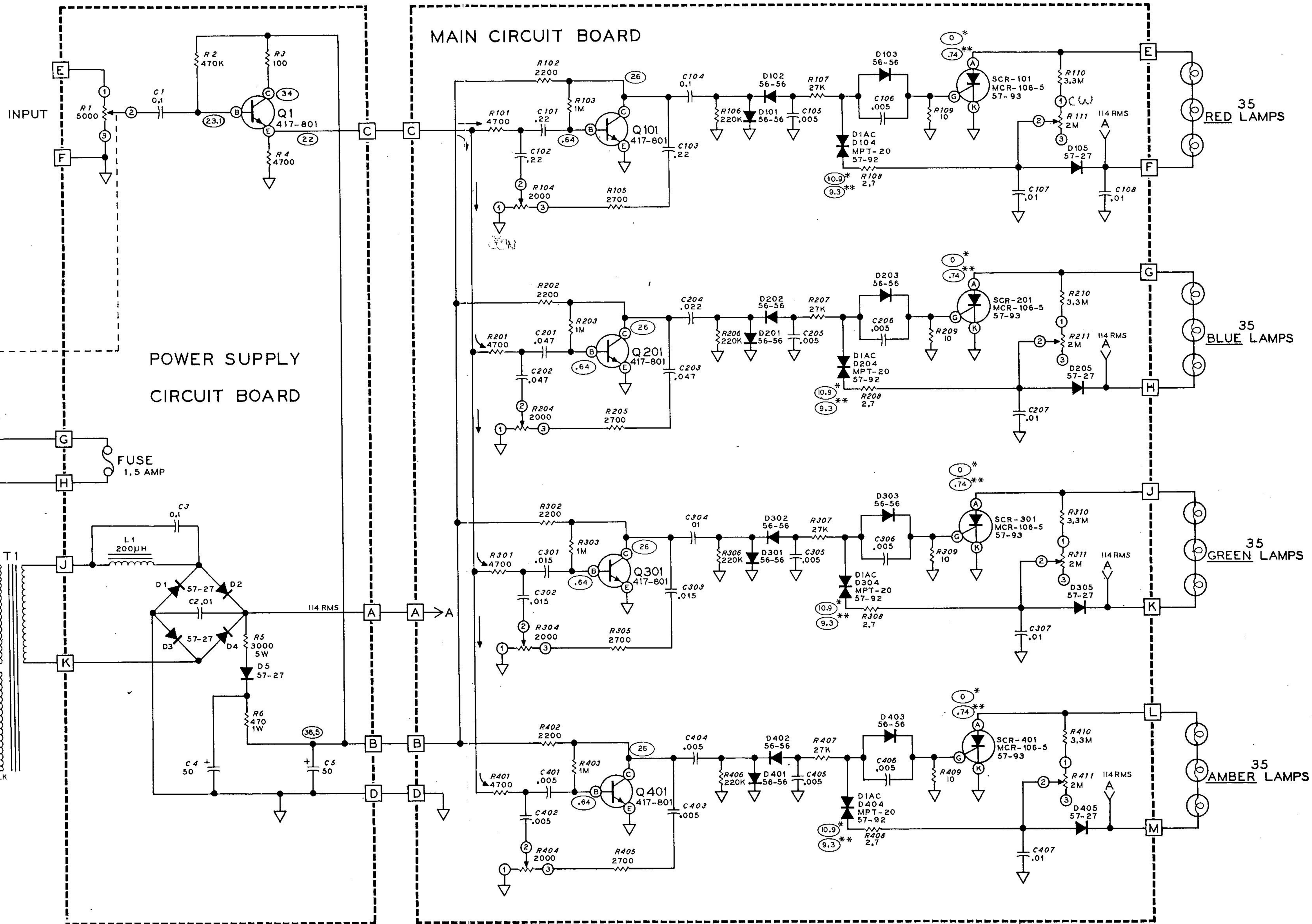


SCHEMATIC OF THE
HEATHKIT®
COLOR ORGAN
MODEL TD-1006



NOTES:

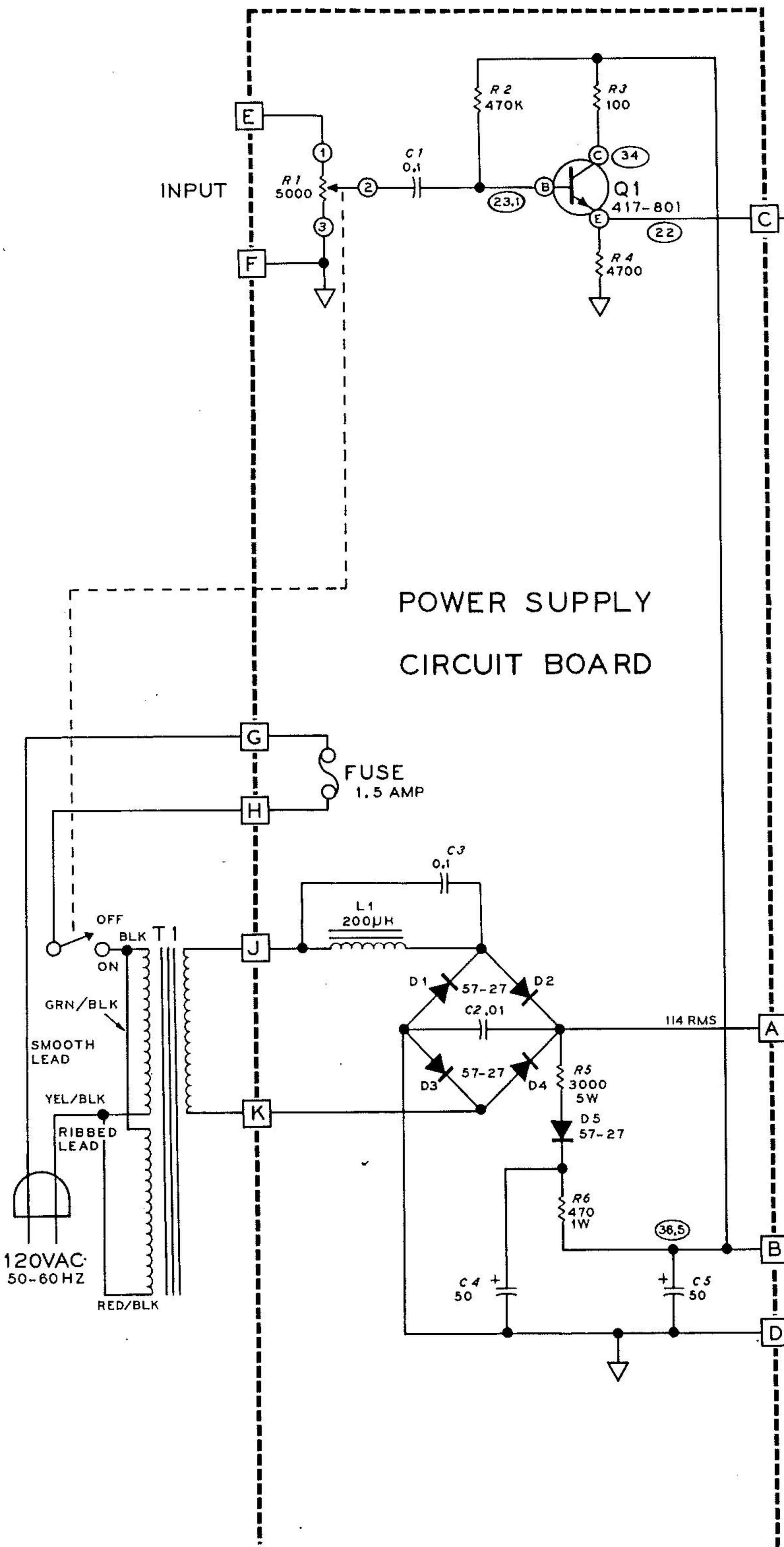
1. REFER TO THE X-RAY VIEWS FOR THE PHYSICAL LOCATION OF PARTS.
2. ALL RESISTORS ARE 1/2 WATT UNLESS OTHERWISE NOTED.
3. ALL CAPACITOR VALUES ARE IN µF.
4. THIS SYMBOL INDICATES A CONNECTION TO THE CIRCUIT BOARD.
5. THIS SYMBOL INDICATES DC VOLTS, MEASURED UNDER A NO-SIGNAL CONDITION.

- * MADE WITH ALL CONTROLS FULLY COUNTERCLOCKWISE.
- ** MADE WITH RED (2K) CONTROLS COUNTERCLOCKWISE, AND BLUE (2M) CONTROLS FULLY CLOCKWISE.

DC VOLTAGES ARE MEASURED WITH A HIGH IMPEDANCE VOLTMETER FROM THE POINT INDICATED TO GROUND. VOLTAGES MAY VARY ±20%.

INPUT

POWER SUPPLY CIRCUIT BOARD



MAIN CIRCUIT BOARD

