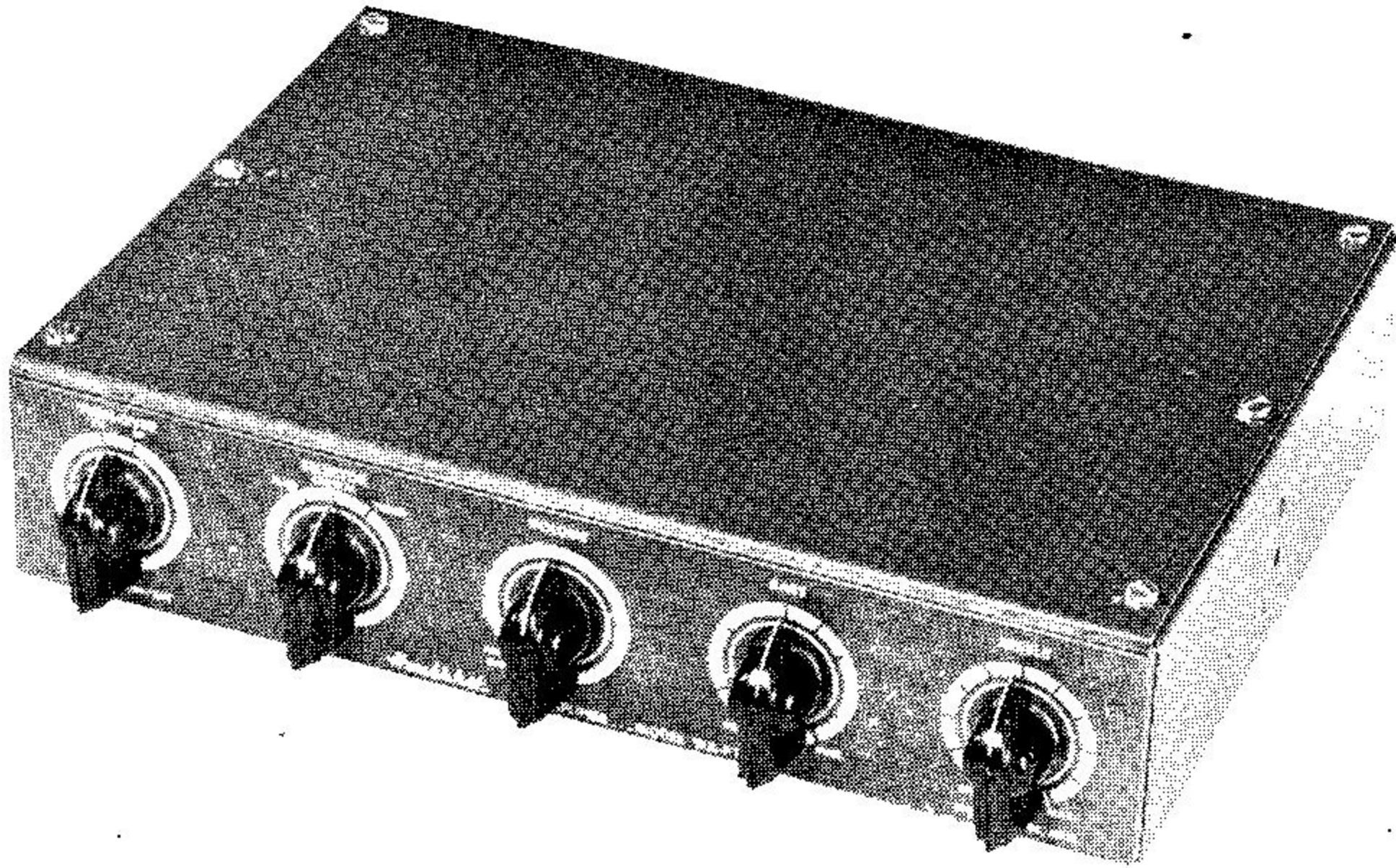


HEATHKIT PREAMPLIFIER

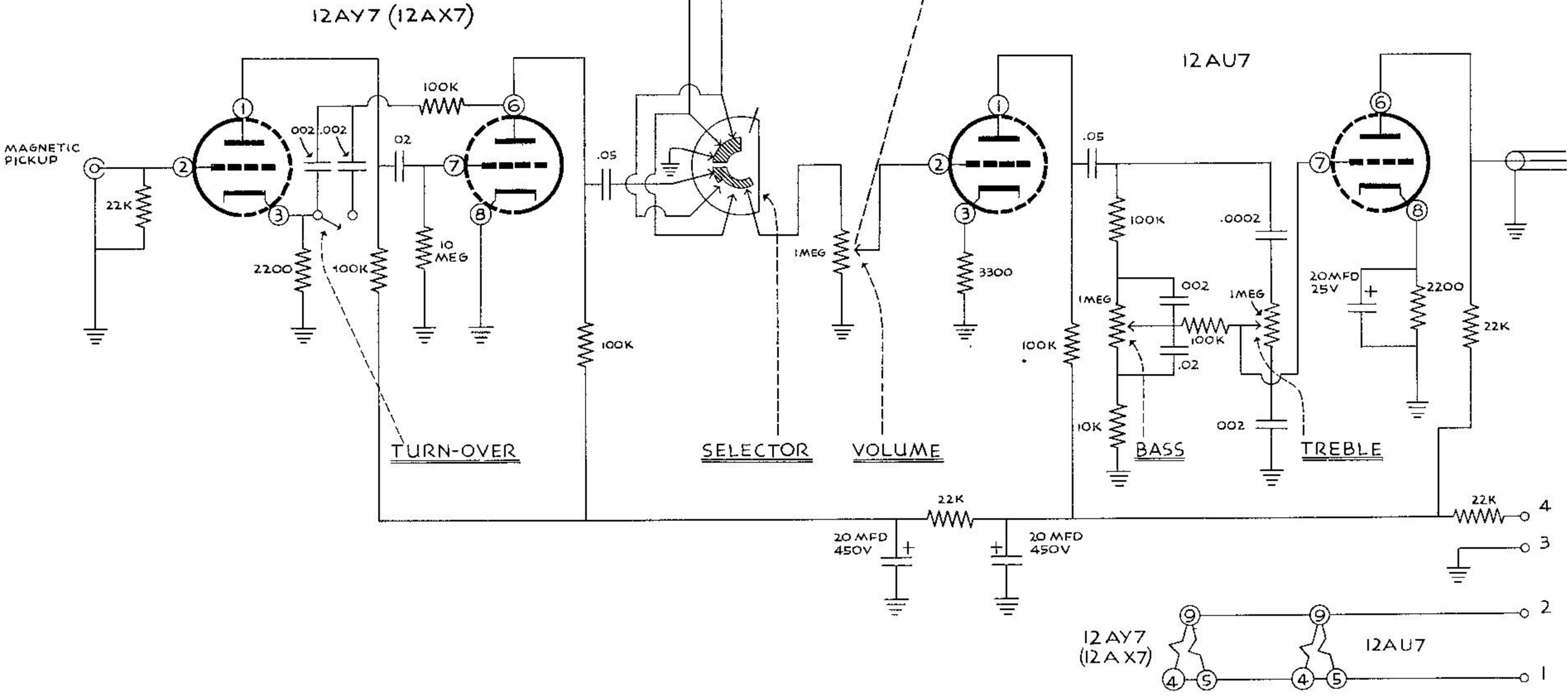
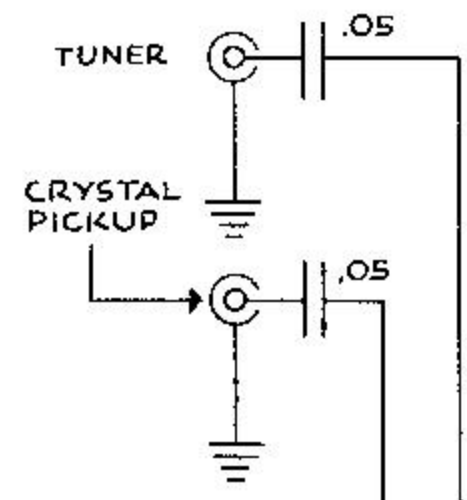
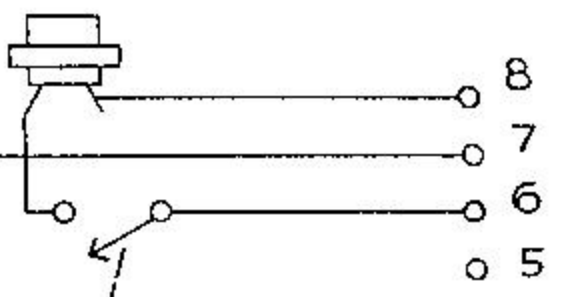
MODEL WA-P1



Preamplifier (WA-P1)

Tube Complement.	1 - 12AY7 (or 12AX7) and 1 - 12AU7.
Switch selected inputs.	2 - low gain for crystal pickup and tuner. 1 - high gain for magnetic pickup.
Switch selected turn-over	for 78 RPM and LP on high gain channel.
Base tone control at 20 cycles	boosts 15 db max., cuts 15 db max.
Treble tone control at 20KC.	boosts 15 db max., cuts 15 db max.
Input voltage at 1kC for 1.2 volts output.	0.2 volts across 1 megohm on low gain channels. 0.004 volts across 22K on high gain channel
Power requirements.	220V DC at 6 mA and 6.3V at 600 mA.
Dimensions less shafts and knobs.	2 $\frac{1}{4}$ " high x 10 $\frac{1}{4}$ " wide x 7 $\frac{1}{4}$ " deep.

117 VOLT OUTLET
FOR TUNER OR
RECORD PLAYER FOR
INSTANCE



PREAMPLIFIER CIRCUIT DIAGRAM