

SPARE PARTS LIST  
FOR NSM-PHONOGRAPH  
THE PERFORMER  
"GRAND"

This spare parts list is applicable for NSM-Phonograph: THE PERFORMER "GRAND"

Every spare part order should contain the following:

1. Model
2. Serial number
3. Quantity
4. Part number
5. Description

**Example**

Model	Serial-Number	QTY	Part-No.	Description	Data
THE PER- FORMER "GRAND"	02 904	1	174 788	LINE TRANSFO	CD-Player
		2	224 188	BALLAST	VG 13/2 KY
		1	225 343	STARTER	S2

**ATTENTION!**

Precise orders save unnecessary questions and bring the best results.

**ORDER SPARE PARTS THRU YOUR NSM-DISTRIBUTOR!**

Information and illustrations contained in this spare parts list, are correct at the time of going to press.

**NSM-AKTIENGESELLSCHAFT, Saarlandstraße 240 - W-6530 BINGEN am Rhein**

INDEX

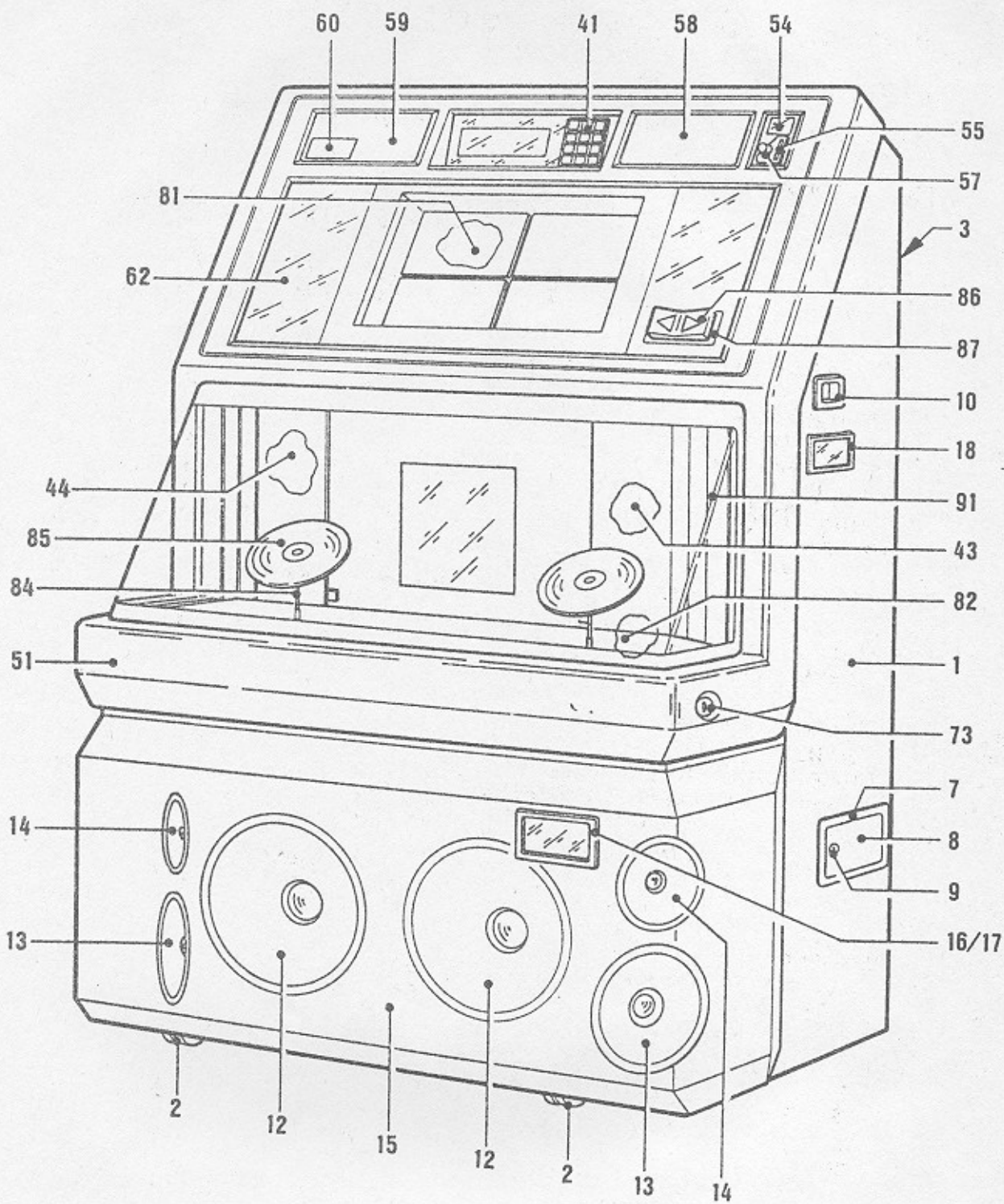
Page 121	UNITS and ACCESSORIES
Page 122-125	CABINET
Page 126-128	LID
Page 128	CABLE HARNESSSES

# SPARE PARTS LIST

POS.	PART-No.	DESCRIPTION	DATA	QTY	
<b><u>PHONOGRAPH - THE PERFORMER "GRAND"</u></b>					
<b><u>UNITS and ACCESSORIES</u></b>					
174	873	CB - CONTROL UNIT CD, ASSY	see Page 406	1	
173	664	CB - DISPLAY CD, ASSY	see Page 504	1	
173	666	CB - CENTRALE CD, ASSY	see Page 608	1	
171	701	OUTPUT STAGE	50 Hz	see Page 703	>
171	702	OUTPUT STAGE	60 Hz	see Page 703	1
175	980	CD-CHANGER 100 (without Design Pieces)	see Page 806	1	
175	977	VIEW GLASS		1	
175	998	FRONT TRIMPLATE		1	
175	992	SIDE TRIMPLATE, LEFT		2	
175	993	SIDE TRIMPLATE, RIGHT		1	
212	555	TRIM PLATE		1	
219	508	COLOR FOIL		2	
174	710	CD-TITLE INDICATION II, ASSY	see Page 904	1	
171	799	OUTPUT TRANSFORMER		1	
174	915	CABLE HARNESS		1	
174	258	IR-REMOTE CONTROL, ASSY		1	
206	783	SENDER		1	
173	178	RECEIVER		1	
171	883	CONNECTING CABLE f. RECEIVER	1,5 m	>	
170	459	CONNECTING CABLE f. RECEIVER	5,0 m	1	
171	743	REMOTE CONTROL	w. 5 m CABLE	>	
172	077	REMOTE CONTROL	w. 20 m CABLE	1	
224	223	MICROPHONE		1	
171	880	MICROPHONE CABLE	10 m	>	
172	187	MICROPHONE CABLE	25 m	1	
173	985	WALLBOX-CONNECTING, ASSY		1	
172	025	TAPE-CONNECTING CABLE		1	
173	348	CASH COUNTER, ASSY		1	
174	648	CB - AUDIO CONNECTION		1	
175	376	DATA PRINT 2000		1	



# SPARE PARTS LIST

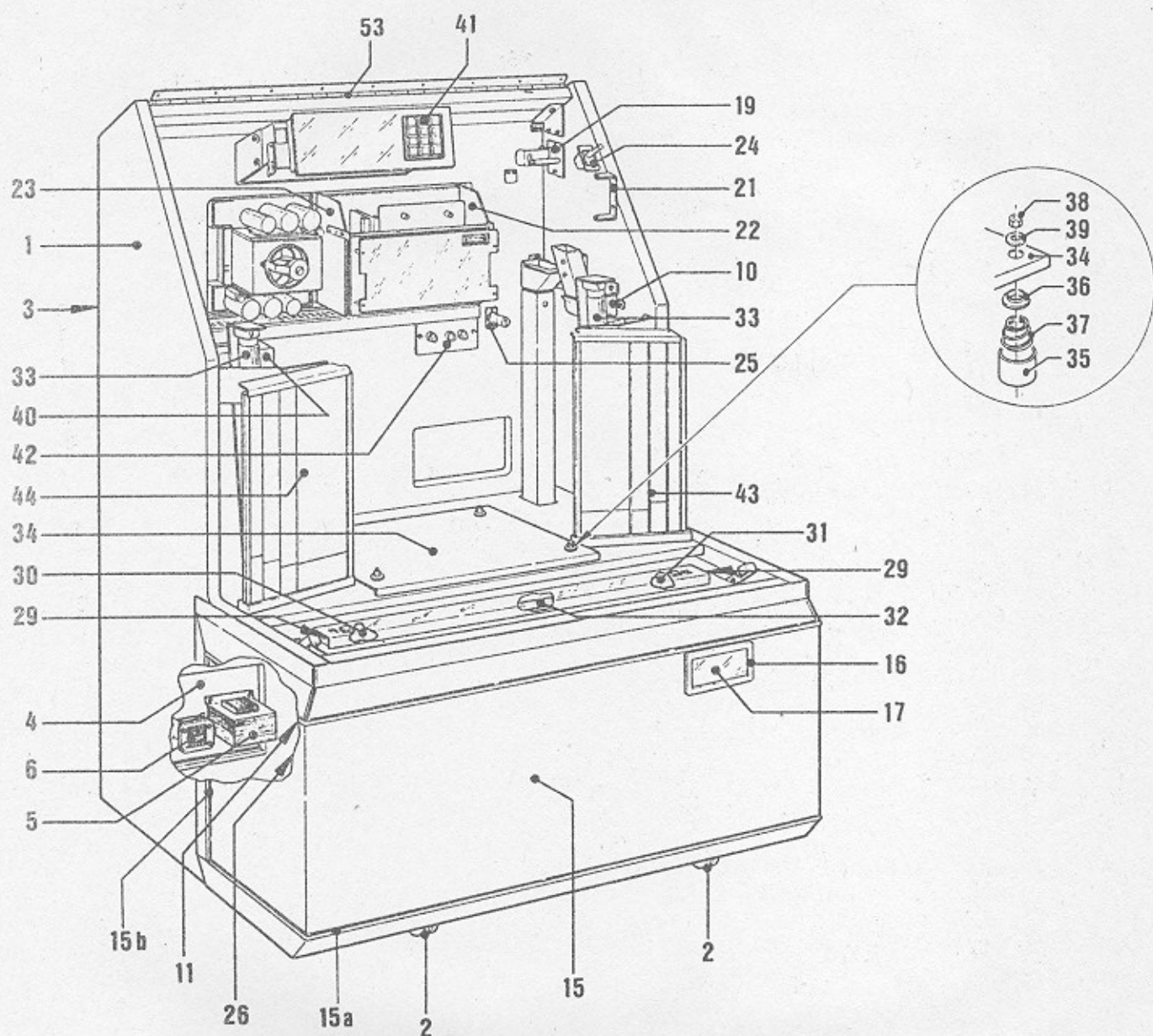


# SPARE PARTS LIST

POS.	PART-No.	DESCRIPTION	DATA	QTY
<u>PHONOGRAPH THE PERFORMER "GRAND"</u>				
1	203 824	CABINET		1
2	217 506	ROLLER		4
3	170 852	HANDLE		4
4	173 968	TRANSFORMER PLATE	(In REAR WALL)	1
	217 772	HINGE		1
5	223 418	TRANSFORMER		1
6	174 788	LINE TRANSFORMER, ASSY	(CD-PLAYER)	1
	225 907	TRANSFORMER-FUSE	0,25 A	1
7	174 501	CASH FRAME		1
8	174 500	CASH-DOOR		1
9	207 008	CYL.-LOCK with KEYS	DOM Typ 447-04-01	1
	207 496	CASH BAG		1
10	174 818	COIN RETURN CUP		1
	174 499	COIN LID		1
	172 474	COVER		1
11	172 519	NETWORK		2
	171 289	SPACER		6
12	224 240	LOUDSPEAKER	4 Ohms pmt 300	2
	173 970	DECOR RING		2
13	224 241	LOUDSPEAKER	8 Ohms P 175	2
14	224 242	LOUDSPEAKER	8 Ohms P 135	2
	173 971	DECOR RING		2
15	176 021	SPEAKER GRILL		1
15a	250 366	PROFILE, FRONT		2
15b	250 365	PROFILE, LOWER		2
16	172 531	FRAME		1
17	212 517	MASK		1
	212 516	GLASS		1
18	114 664	FRAME for ADDRESS CARD		1
	215 008	ADDRESS CARD		1
19	172 611	PLATE, STAMPED		1
	171 928	FLAT SPRING		1
21	172 410	SUPPORT		1
	172 412	BOLT		1
	172 415	COIN RETURN LEVER		1
	170 069	HOLDER		1
	170 031	COIN CHUTE, ASSY		1
	171 905	COIN TUBE		1
	172 461	HOLDING BRACKET		1
	172 545	COIN TUBE	COIN RETURN CUP	1
	172 418	HOLDING BRACKET		1
	172 546	COIN TUBE	CASH BOX	1

NSH-COIN ACCEPTOR

# SPARE PARTS LIST



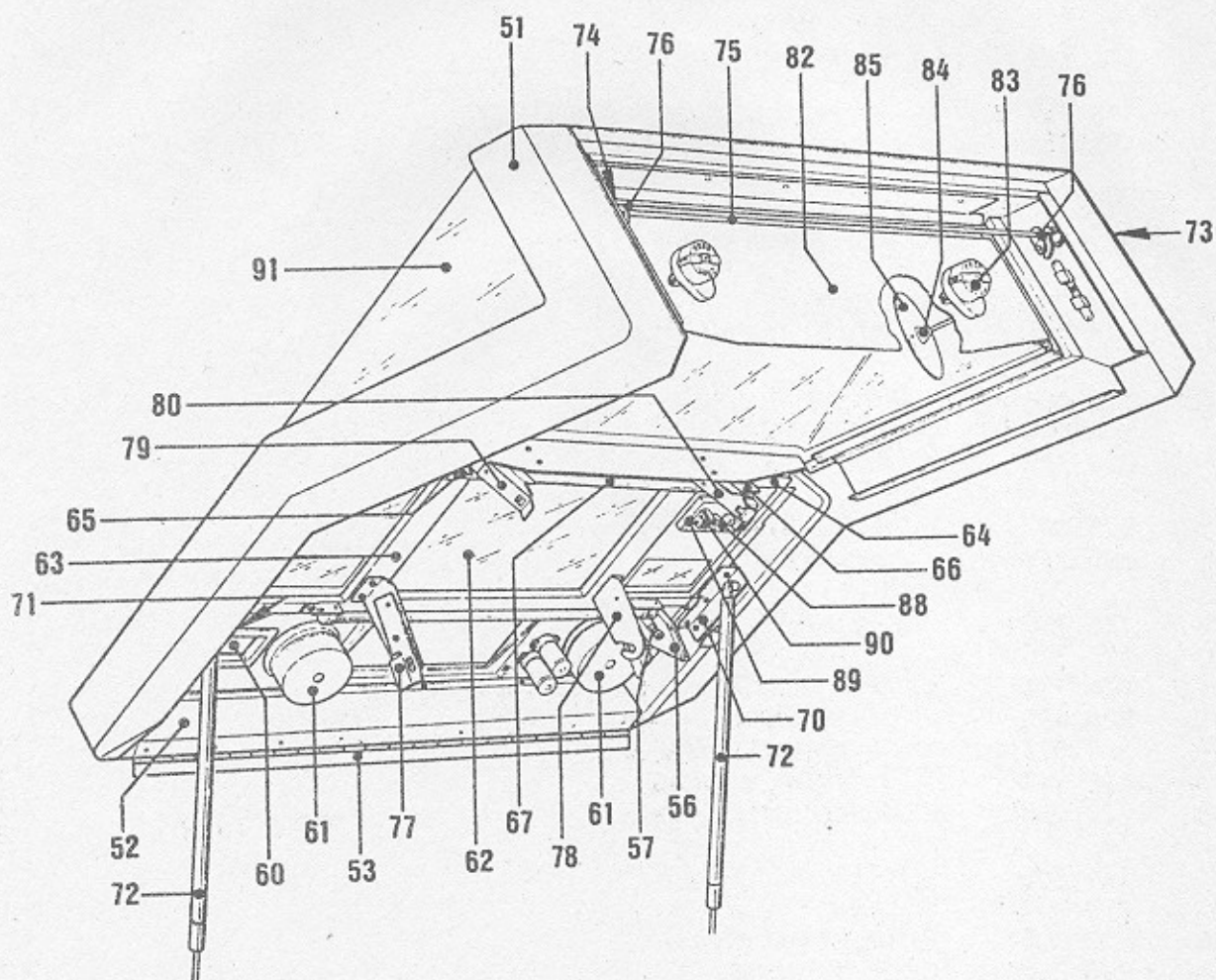


# SPARE PARTS LIST

MARS-COIN  
ACCEPTOR

POS.	PART-No.	DESCRIPTION	DATA	QTY	
- 21	172 571	SUPPORT		1	
	172 572	MOUNTING PLATE, STAMPED		1	
	172 183	BRACKET		1	
	172 574	COIN RETURN LEVER, STAMPED		1	
	172 576	HOLDING BRACKET		1	
	172 577	COIN TUBE	CASH BOX	1	
	172 139	LP-Mars-Münzprüfer		1	
22	173 722	BRACKET, ASSY	RIGHT	CONTROL UNIT	1
23	173 723	BRACKET, ASSY	LEFT	and CENTRALE	1
24	172 724	SWITCH PLATE		1	
	222 509	PUSH BUTTON SWITCH		1	
25	174 252	HOLDING PLATE		1	
	222 505	KEY SWITCH		1	
26	176 050	SUPPORT PLATE		1	
	224 064	BALLAST	KX 16 D	1	
	224 188	BALLAST	KX 13 D	2	
	225 040	STARTER	S10	3	
	225 343	STARTER	S2	2	
29	175 995	LAMP HOLDER		2	
30	225 756	LAMP SOCKET		1	
31	225 757	LAMP SOCKET with STARTER SOCKET		1	
32	226 073	FLUORECENT LAMP	50 Hz 16 W	1	
	226 074	FLUORECENT LAMP	60 Hz	1	
	219 493	Transparentfolie		1	
33	226 085	FLUORECENT LAMP	TL-D 15 W	2	
34	174 765	BOTTOM PLATE		1	
35	170 007	SOCKET		4	
36	170 006	GUIDE SPACER		4	
37	205 353	CONE SPRING		4	
38	023 380	HEX NUT		4	
39	170 005	WASHER		4	
40	171 725	JUNCTION PLATE, ASSY	50 Hz	1	
	171 726	JUNCTION PLATE, ASSY	60 Hz	1	
41	175 905	KEY BOARD, ASSY		1	
42	175 402	JUNCTION PLATE		1	
	222 452	BUTTON, green		1	
	222 470	BUTTON, white		1	
	222 471	BUTTON, red		1	
	175 365	CABLE HARNESS		1	
43	212 561	SIDE TRIMPLATE, RIGHT		1	
44	212 550	SIDE TRIMPLATE, LEFT		1	

# SPARE PARTS LIST





# SPARE PARTS LIST

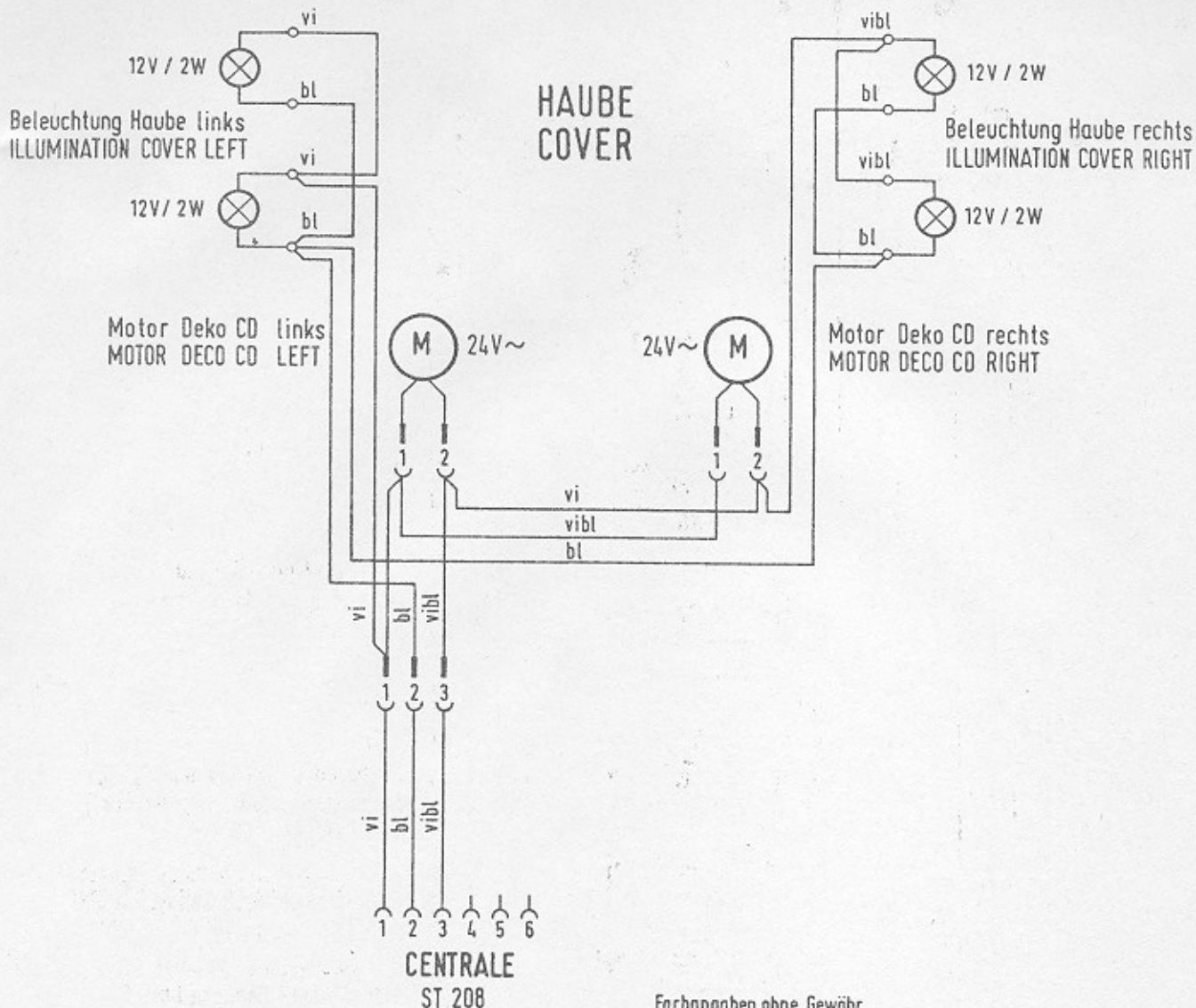
POS.	PART-No.	DESCRIPTION	DATA	QTY
<u>COVER</u>				
51	176 027	COVER, PRE-MOUNTED		1
52	172 375	BACK PLATE		1
53	206 297	HINGE		1
54	212 554	GLASS, PRINTED		1
55	176 078	COIN INSERT		1
56	176 079	COIN CHANNEL		1
57	171 662	COIN REJECT		1
58	174 849	BACKPLATE, RIGHT		1
	209 065	PROTECTIVE TISSUE, RIGHT		1
59	174 871	BACKPLATE, LEFT		1
	209 066	PROTECTIVE TISSUE, LEFT		1
60	172 403	CLOSING PLATE	DOLLAR BILL	1
61	224 233	LOUDSPEAKER	4 Ohms SKK 10	2
62	214 002	GLASS, UPPER	GERMANY	1
	217 507	RUBBER PROFILE	2x800 / 2x275 lg	-
63	174 803	SUPPORT, ASSY		1
64	174 815	PRESSURE PLATE		2
65	174 805	LAMP HOLDER, LEFT		2
66	174 804	LAMP HOLDER, RIGHT		2
67	226 075	FLUORESCENT LAMP	13 W	2
	219 507	FOIL	f. LAMP, UPPER	1
70	172 479	HOLDING BRACKET, RIGHT STAMPED		1
71	172 372	HOLDING BRACKET, LEFT STAMPED		1
72	206 320	PISTON ROD		2
73	217 814	CYL.-LOCK		1
	217 992	SPARE KEY		-
74	172 469	BRACKET		1
75	172 447	CLOSING RAIL		1
76	171 616	CLOSING NOSE		2
77	176 015	BRACKET, RIGHT UPPER, STAMPED		1
78	176 016	BRACKET, LEFT UPPER, STAMPED		1
79	176 018	BRACKET, RIGHT LOWER, STAMPED		1
80	176 017	BRACKET, RIGHT LOWER, STAMPED		1
81	174 710	CD-TITLE INDICATION II		1

# SPARE PARTS LIST

POS.	PART-No.	DESCRIPTION	DATA	QTY
82	212 559	LOWER MASK		1
83	176 061	MOTOR, ASSY		2
84	176 001	CD-HOLDER		2
85	206 658	CD-NON PLAY BACK		2
86	175 974	BUTTON		1
87	175 973	FRAME		1
	207 199	RUBBER PROFILE	2x100 / 2x60 lg	4
88	176 003	FLAT SPRING		1
89	175 981	COVER		1
90	222 547	SWITCH		2
91	176 019	GLASS	HYPERBEAM™	1
	206 333	RUBBER PROFILE	1595 lg	1
	206 334	RUBBER PROFILE	1300 lg	1

## CABLE HARNESS

172 506	DISPLAY	1100 lg 10 prongs	1
172 508	CENTRALE OUTPUT STAGE	700 lg 10 prongs	2
176 109	LOUDSPEAKER		1
171 790	CENTRALE -- LINE TRANSFORMER		1
171 782	CENTRALE -- CONTROL UNIT	120 lg 15 prongs	1
171 783	CENTRALE -- CONTROL UNIT	120 lg 12 prongs	1
173 164	CENTRALE -- CD PLAYER		1
151 626	CONTROL UNIT -- CD PLAYER		1
173 963	TRANSFORMER -- CD PLAYER		1
174 910	CENTRALE -- LP TITLE STRIP HOLDER		1
173 966	CD-AUDIO		1
174 916	TITLE DRUM		1



Farbangaben ohne Gewähr.  
COLOR INDICATION WITHOUT WARRANTY.

ÄNDERUNGEN IM SINNE DES TECHN. FORTSCHRITTES VORBEHALTEN,  
JEDOCH KEINE NACHRÜSTPFLICHT!

SUBJECT TO TECHNICAL MODIFICATION WITHOUT OBLIGATION  
TO MODIFY EQUIPMENT ALREADY DELIVERED!

Farb Spiegel  
COLOR CODE

ws	weiß	white
bl	blau	blue
br	braun	brown
ge	gelb	yellow
gh	grün	green
gr	grau	grey
or	orange	orange
rs	rosa	pink
rt	rot	red
sw	schwarz	black
vi	violett	violet



MUSIKAUTOMATEN  
PHONOGRAPHS

**ES IV - CD** TECHNOLOGY

Schaltbild  
WIRING DIAGRAM

Dekorbeleuchtung  
ILLUMINATION DECOR

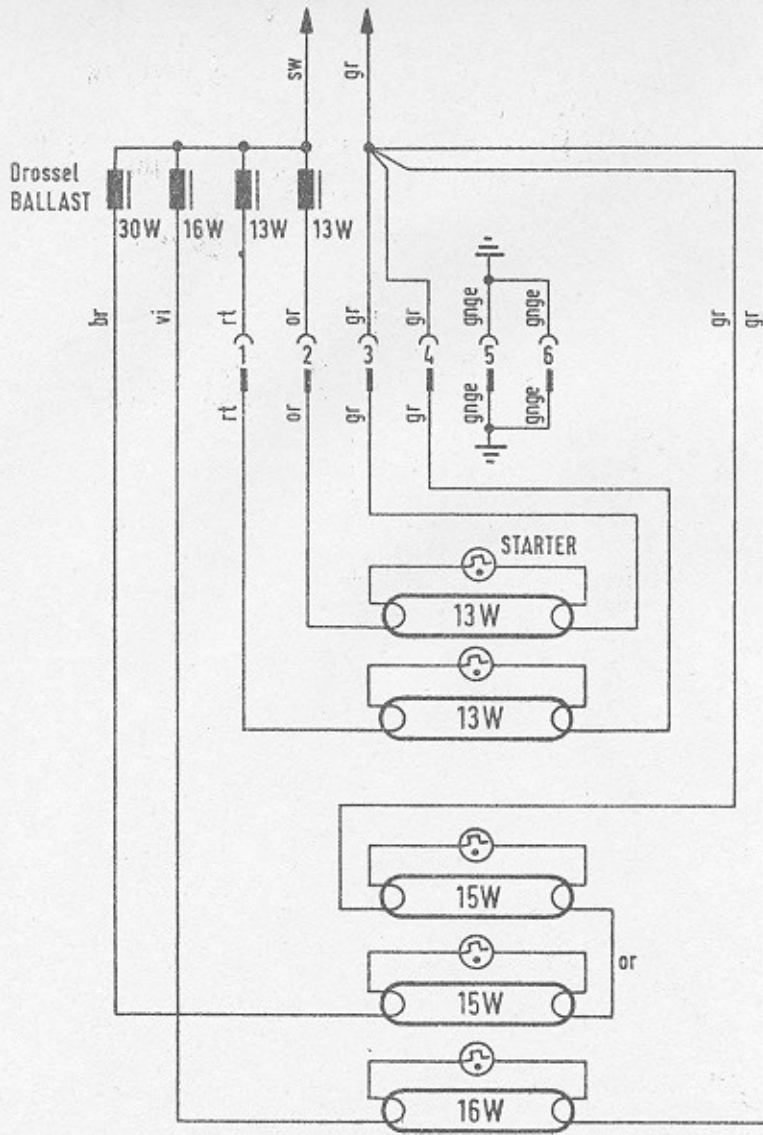
THE PERFORMER

"GRAND"

Dat. 08.08.91	Gez. Braun	Bearb.	Gepr.
------------------	---------------	--------	-------



Zum Netz-Transformator  
TO MAINS TRANSFORMER



Leuchtstofflampen Haube  
FLUORESCENT LAMPS COVER

Leuchtstofflampe Gehäuse - links  
FLUORESCENT LAMP CABINET -LEFT

Leuchtstofflampe Gehäuse - rechts  
FLUORESCENT LAMP CABINET -RIGHT

Leuchtstofflampe Gehäuse  
FLUORESCENT LAMP CABINET

Farbangaben ohne Gewähr.  
COLOR INDICATION WITHOUT WARRANTY.

ÄNDERUNGEN IM SINNE DES TECHN. FORTSCHRITTES VORBEHALTEN,  
JEDOCH KEINE NACHRÜSTPFLICHT!

SUBJECT TO TECHNICAL MODIFICATION WITHOUT OBLIGATION  
TO MODIFY EQUIPMENT ALREADY DELIVERED!

Farb Spiegel  
COLOR CODE

ws	weiß	white
bl	blau	blue
br	braun	brown
ge	gelb	yellow
gn	grün	green
gr	grau	grey
or	orange	orange
rs	rosa	pink
rt	rot	red
sw	schwarz	black
vi	violett	violet



MUSIKAUTOMATEN  
PHONOGRAPHS

**ES IV - CD** TECHNOLOGY

Schaltbild  
WIRING DIAGRAM

Beleuchtung  
ILLUMINATION

THE PERFORMER

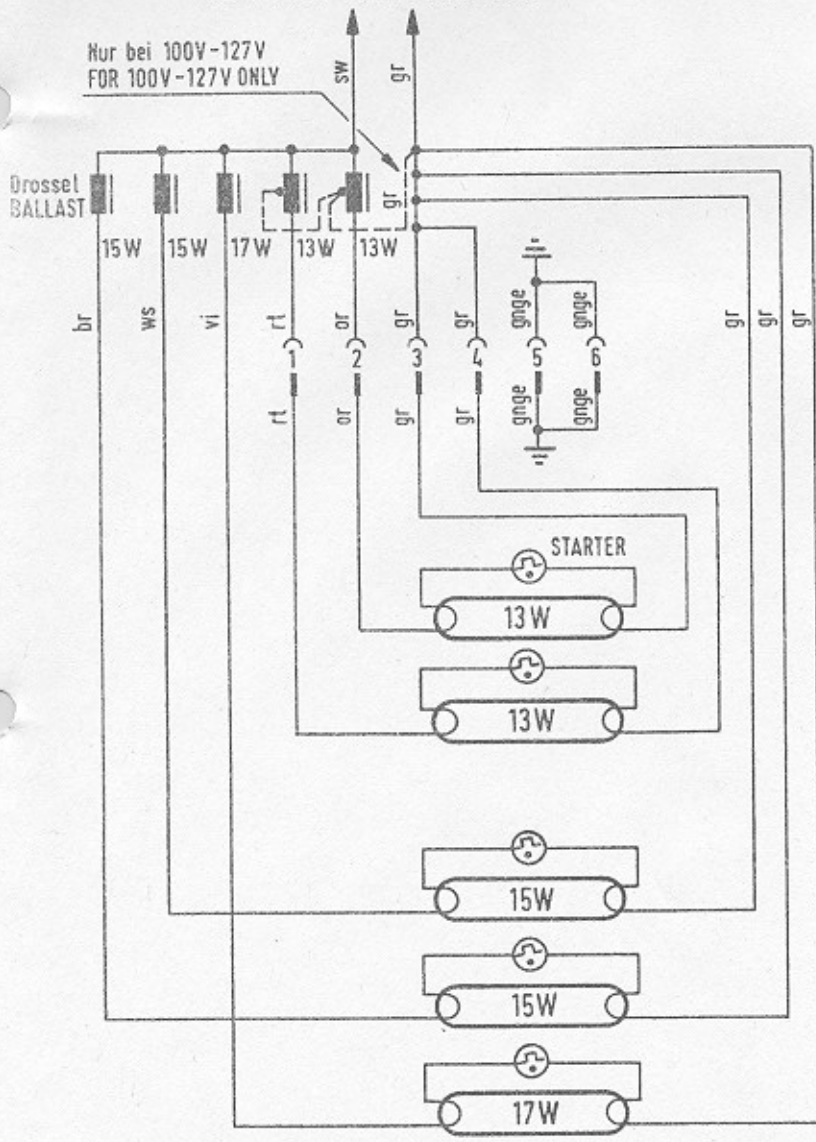
“GRAND”

[ 50HZ ]

Dat.	15.08.91	Gez	Braun	Bearb.		Gepr.	
------	----------	-----	-------	--------	--	-------	--

Zum Netz-Transformator  
TO MAINS TRANSFORMER

Nur bei 100V-127V  
FOR 100V-127V ONLY



Leuchtstofflampen Haube  
FLUORESCENT LAMPS COVER

Leuchtstofflampe Gehäuse - links  
FLUORESCENT LAMP CABINET - LEFT

Leuchtstofflampe Gehäuse - rechts  
FLUORESCENT LAMP CABINET - RIGHT

Leuchtstofflampe Gehäuse  
FLUORESCENT LAMP CABINET

Farbangaben ohne Gewähr.  
COLOR INDICATION WITHOUT WARRANTY.

ÄNDERUNGEN IM SINNE DES TECHN. FORTSCHRITTES VORBEHALTEN,  
JEDOCH KEINE NACHRÜSTPFLICHT!

SUBJECT TO TECHNICAL MODIFICATION WITHOUT OBLIGATION  
TO MODIFY EQUIPMENT ALREADY DELIVERED!

Farbspiegel  
COLOR CODE

ws	weiß	white
bl	blau	blue
br	braun	brown
ge	gelb	yellow
gn	grün	green
gr	grau	grey
or	orange	orange
rs	rosa	pink
rl	rot	red
sw	schwarz	black
vi	violett	violet



MUSIKAUTOMATEN  
PHONOGRAPHS

**ES IV - CD** TECHNOLOGY

Schaltbild  
WIRING DIAGRAM

Beleuchtung  
ILLUMINATION

THE PERFORMER

“GRAND”

[ 60HZ ]

Dat.	08.08.91	Gez.	Braun	Bearb.		Gepr.	
------	----------	------	-------	--------	--	-------	--