

**ROCK-OLA**

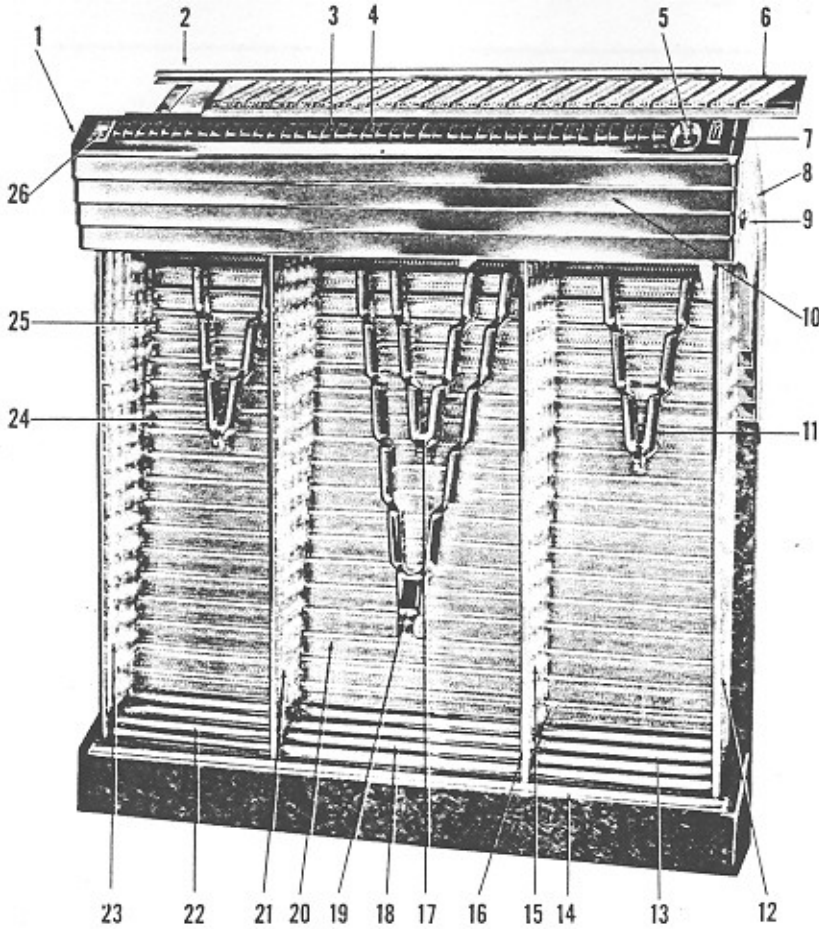
**MODEL 1452 PHONOGRAPH**

**50 SELECTION HI-FIDELITY**

**PARTS LIST**

**ROCK-OLA MANUFACTURING CORPORATION**  
800 NORTH KEDZIE AVENUE  
CHICAGO 51, ILLINOIS

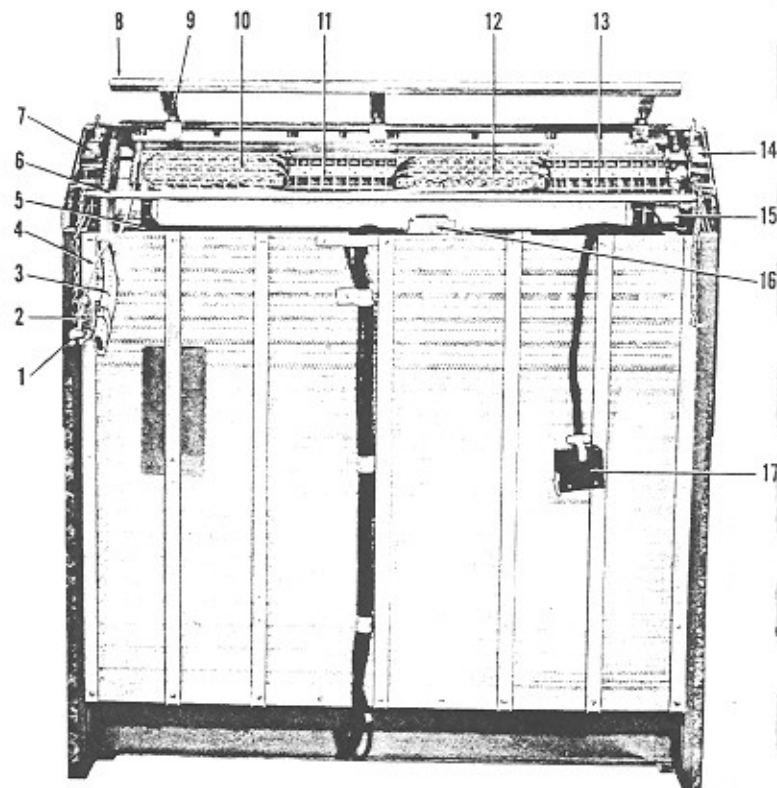
No. 19452-A Door Assembly (Front View)



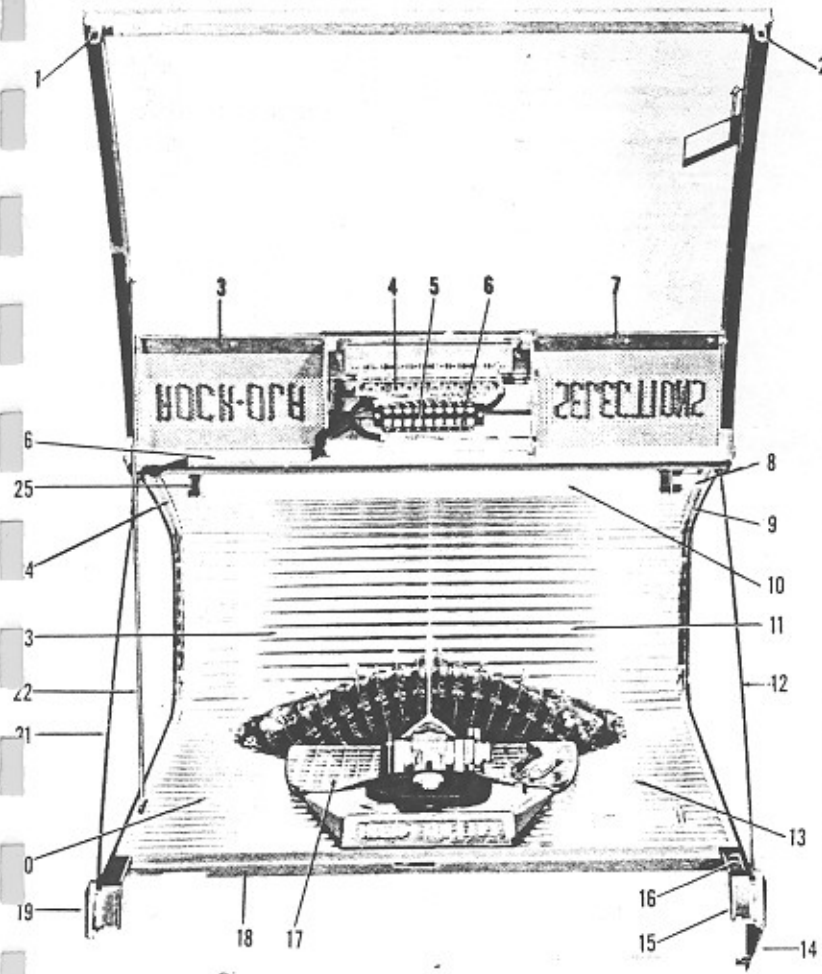
| Part No. | Description                              |
|----------|--|
| 1        | 18746-1 Door Side Casting (L.H.)         |
| 2        | 19424 Program Extrusion Upper            |
| 3        | 18741 Key Switch Button (Black)          |
| 4        | 18740 Key Switch Button (Amber)          |
| 5        | 19155-A Reject Button and Cable Assembly |
| 6        | 19452-A Program Holder Assembly (11-50)  |
| 7        | 18751 Key Plate                          |
| 8        | 18745-1 Door Side Casting (R.H.)         |
| 9        | ST-7394 Front Door Lock                  |
| 10       | 18742 Door Front Casting                 |
| 11       | 18749 Grille Trim Casting (Small)        |
| 12       | 18790 Grille Glass (R.H.)                |
| 13       | 18893 Chrome Trim (End)                  |
| 14       | 18888 Base Trim Moulding                 |
| 15       | 18790 Grille Glass (R.H.)                |
| 16       | 18860 Grille Trim Moulding (Front)       |
| 17       | 18749 Grille Trim Casting (Small)        |
| 18       | 18892 Chrome Trim (Center)               |
| 19       | 18750 Grille Trim Casting (Large)        |
| 20       | 19153-A Perforated Grille Assembly       |
| 21       | 18791 Grille Glass (L.H.)                |
| 22       | 18893 Chrome Trim (End)                  |
| 23       | 18791 Grille Glass (L.H.)                |
| 24       | 18749 Grille Trim Casting (Small)        |
| 25       | 19149-A Grille Trim Moulding (Rear)      |
| 26       | 19305 Key Plate Cover                    |

No. 19452-A Door Assembly (Rear View)

| Part No. | Description                              |
|----------|--|
| 1        | 19236-A Cam Arm and Connector Assembly   |
| 2        | 19185-A Reject Bracket and Stop Assembly |
| 3        | 19022 Flexible Chute                     |
| 4        | 17760 Reject Cable Housing               |
| 5        | 18891 Grille Color Shield                |
| 6        | 19188-A Lock Cam Riveting Assembly       |
| 7        | 18869 Locking Arm Guide (L.H.)           |
| 8        | 19424 Program Extrusion Upper            |
| 9        | 19426 Program Support Bracket            |
| 10       | 18724 Key Switch (Rear)                  |
| 11       | 18723 Key Switch (Front)                 |
| 12       | 18724 Key Switch (Rear)                  |
| 13       | 18723 Key Switch (Front)                 |
| 14       | 18868 Locking Arm Guide                  |
| 15       | 11556 Fluorescent Light Starter          |
| 16       | 19122 Ballast                            |
| 17       | 19387                                    |
| 18       | Contact Socket and Shell                 |



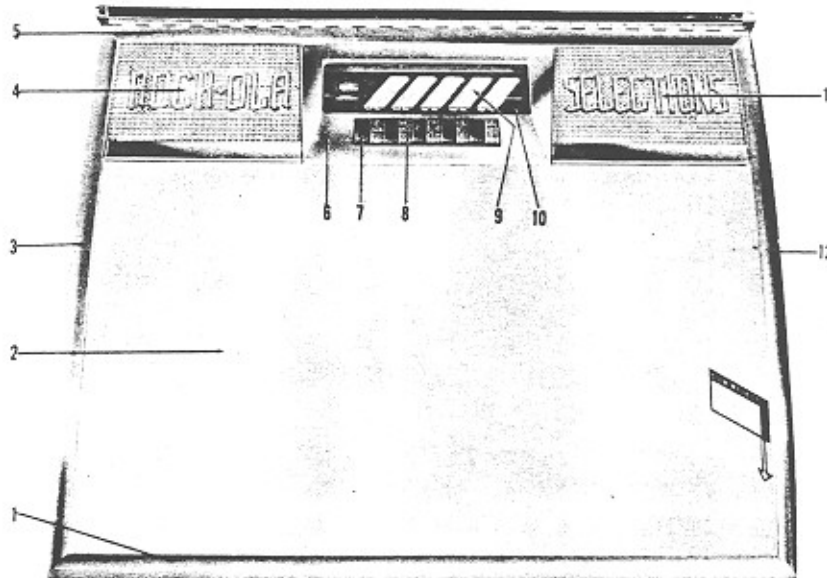
### Dome and Related Parts

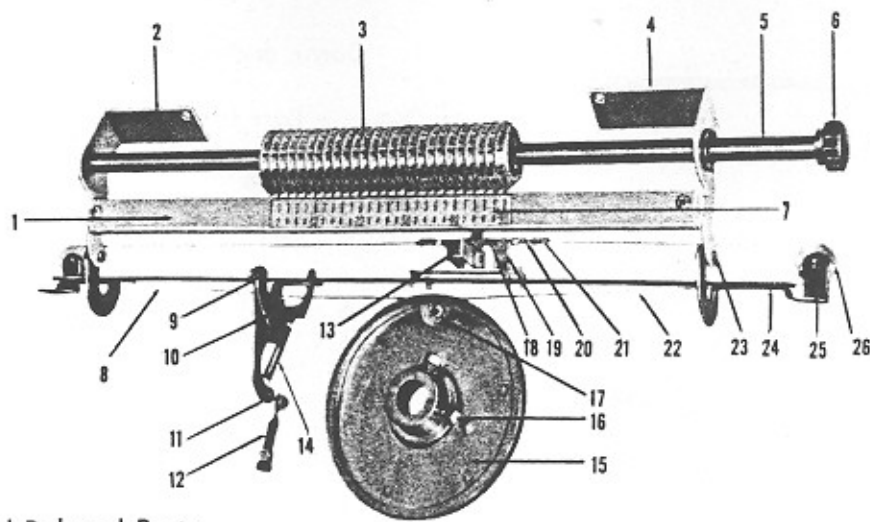


| Part No. | Description                                  |
|----------|--|
| 1        | 18867 Dome Lock Bracket (L.H.)               |
| 2        | 18866 Dome Lock Bracket (R.H.)               |
| 3        | 19371 Dome Glass Backing Plate               |
| 4        | 19386 Selector Switch (Top)                  |
| 5        | 19378 18 Lug Binding Post                    |
| 6        | 19377 9 Lug Terminal Strip                   |
| 7        | 19371 Dome Glass Backing Plate               |
| 8        | 11556 Fluorescent Light Starter              |
| 9        | 18738 Cabinet Inner Trim (R.H.)              |
| 10       | 19218 Fluorescent Tube                       |
| 11       | 19294 Rear Dress Panel                       |
| 12       | 18874 Dome Glass Side Panel                  |
| 13       | 19316-A Dress Panel Assembly (R.H.)          |
| 14       | 18743 Cabinet Side Casting Front (R.H.)      |
| 15       | 18932 Corner Cover Cap (R.H.)                |
| 16       | 19061 Select Glass                           |
| 17       | 19384 Dress Cap                              |
| 18       | 19504-A Dress Panel Front Extrusion Assembly |
| 19       | 18744 Cabinet Side Casting Front (L.H.)      |
| 20       | 19317-A Dress Panel Assembly (L.H.)          |
| 21       | 18874 Dome Glass Side Panel                  |
| 22       | 19021 Dome Latching Bar                      |
| 23       | 19294 Rear Dress Panel                       |
| 24       | 18739 Cabinet Inner Trim (L.H.)              |
| 25       | 19298 Fluorescent Light Socket               |
| 26       | 19372 Dome Switch Cover                      |

### No. 19430-A Dome Assembly (Less Switch)

| Part No. | Description                            |
|----------|--|
| 1        | 18875 Dome Extrusion Front             |
| 2        | 19320 Dome Front Window (Lower)        |
| 3        | 19327 Dome Extrusion Side (L.H.)       |
| 4        | 19356 Dome Upper Window (L.H.)         |
| 5        | 19343 Dome Extrusion Back              |
| 6        | 19484-A Dome Casting Assembly          |
| 7        | 18741 Key Switch Button (Black)        |
| 8        | 18740 Key Switch Button (Amber)        |
| 9        | 19488-A Program Holder Assembly (1-10) |
| 10       | 19345 Dome Program Window              |
| 11       | 19355 Dome Upper Window (R.H.)         |
| 12       | 19326 Dome Extrusion Side (R.H.)       |



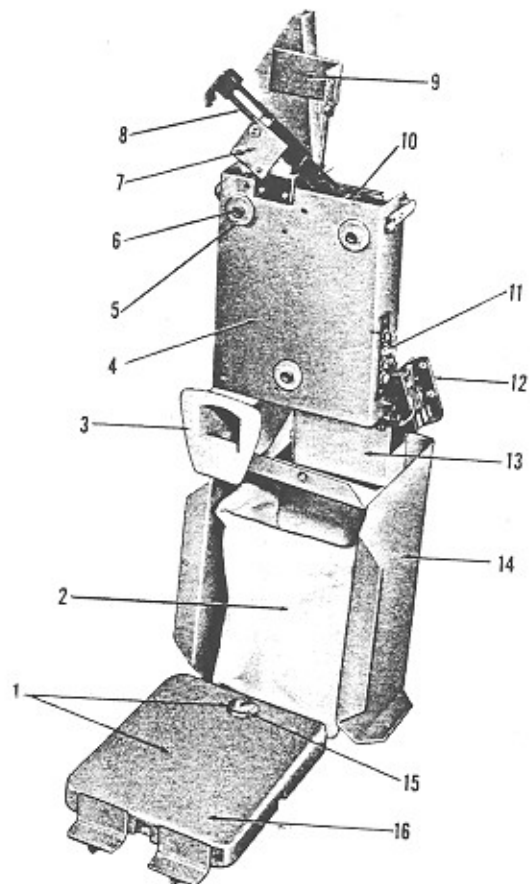


### Popularity Counter and Related Parts

| Part No. | Description                              | Part No. | Description                                |
|----------|--|----------|--|
| 1        | 18874 Counter Disc Stop Rail             | 14       | 18949 Spring                               |
| 2        | 18963-A Mounting Bracket Assembly (L.H.) | 15       | 18727 Drive Wheel                          |
| 3        | 18759 Counter Disc                       | 16       | ST-2244 Square Head Set Screw              |
| 4        | 18962-A Mounting Bracket Assembly (R.H.) | 17       | PH-4735 Keeper                             |
| 5        | 19278 Shaft                              | 18       | 18948 Spring                               |
| 6        | 17227 Knob                               | 19       | 18971-A Counter Carriage and Stud Assembly |
| 7        | 19279 Counter Decal                      | 20       | 19552 Counter Link                         |
| 8        | 19553-A Drive Cord Assembly              | 21       | ST-9157 Connector                          |
| 9        | 18789 Pivot Screw                        | 22       | 19553-A Drive Cord Assembly                |
| 10       | 18769 Secondary Lifter Arm               | 23       | 18775 Hanger Pin                           |
| 11       | 18922 Counter Link                       | 24       | 18967-A Carriage Rail and Pulley Assembly  |
| 12       | 18974-A Spring Lever and Stud Assembly   | 25       | 18788 Pivot Pin                            |
| 13       | 19338 Ratchet Pawl                       | 26       | 18758 Idler Pulley                         |

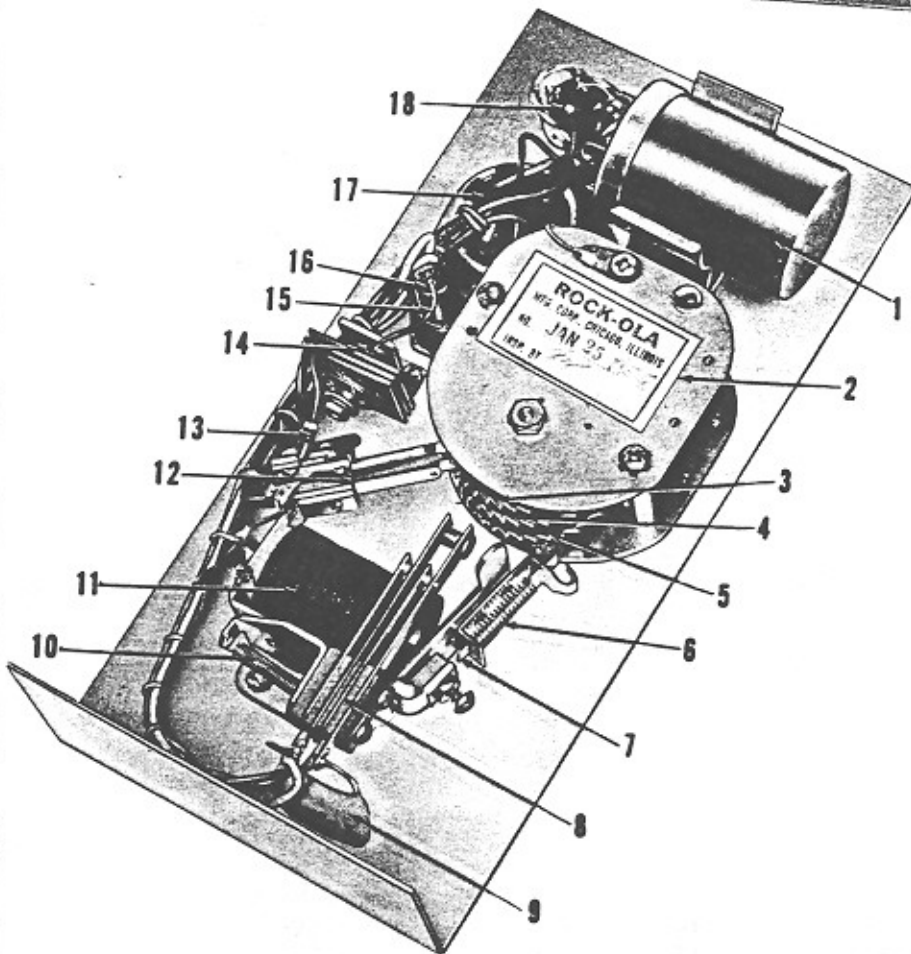
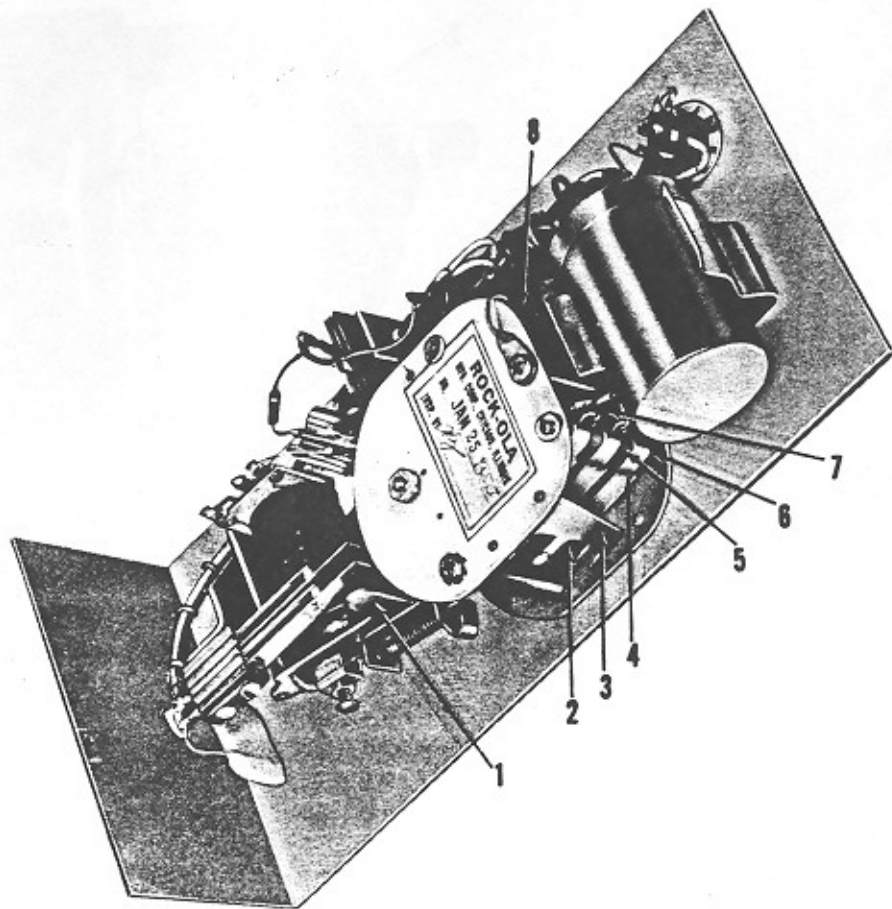
### Slug Rejector - Cash Box and Related Parts

| Part No. | Description                                   |
|----------|---|
| 1        | 19172-A Cash Box Door Assembly                |
| 2        | 18938 Cash Bag                                |
| 3        | 18920 Coin Return Cup                         |
| 4        | 19173-A Slug Rejector Mounting Case Assembly  |
| 5        | PH-7943 Rubber Grommet                        |
| 6        | 17754 Grommet Bushing                         |
| 7        | 17767-A Arm Link Plate Assembly               |
| 8        | 19174-A Slug Rejector Arm Assembly            |
| 9        | 19176-A Coin Chute Riveting Assembly          |
| 10       | 19357-A (ABT) Slug Rejector and Stud Assembly |
| 11       | 15481 Terminal Strip                          |
| 12       | 14072 Coin Switch                             |
| 13       | 15451 Mounting Plate                          |
| 14       | 18931 Cash Box Housing                        |
| 15       | ST-7379 Cash Box Lock (ST-7391 Lock Latch)    |
| 16       | 18862 Cash Box Door (Only)                    |



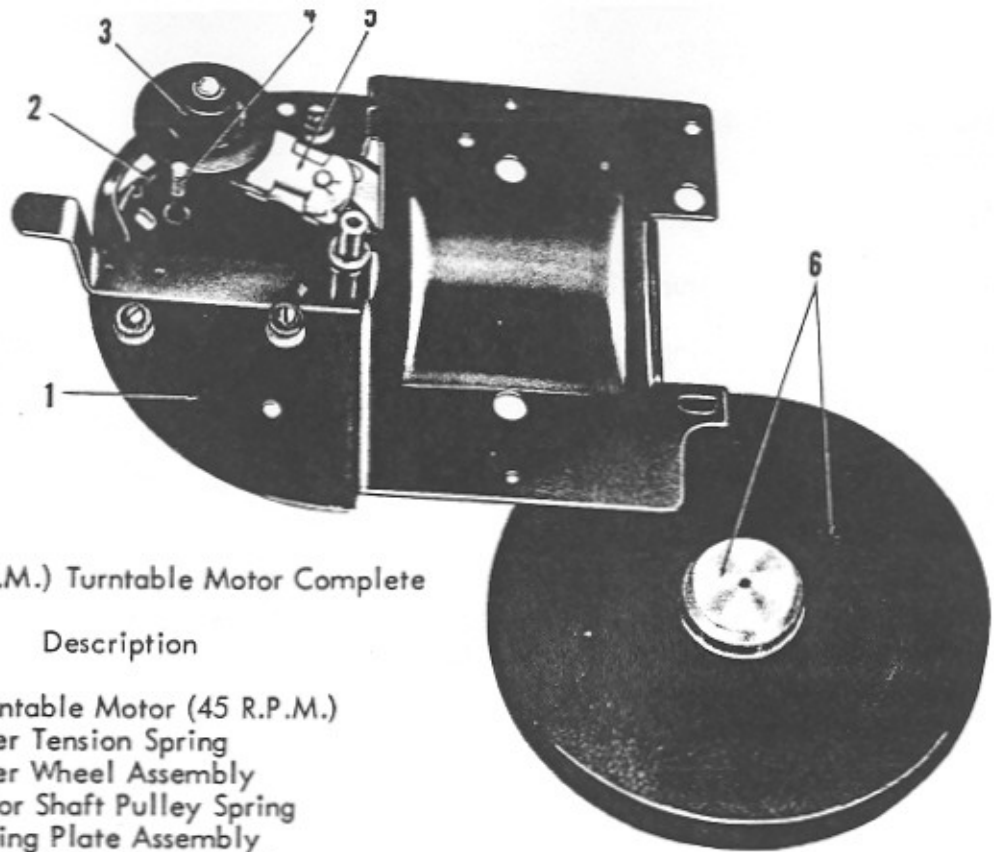
No. 19088-A Accumulator Assembly  
Complete

| Part No. | Description                                  |
|----------|--|
| 1        | 17992-A Reset Armature Riveting Assembly     |
| 2        | 14570 Tension Spring                         |
| 3        | 14567 Spring Anchor                          |
| 4        | 14014 Armature - Ratchet                     |
| 5        | 14018 Spacer                                 |
| 6        | 14017 Spacer - Ratchet Detent                |
| 7        | 14011 Coil - Electromagnet                   |
| 8        | 14579-A Ratchet Escapement Armature Assembly |



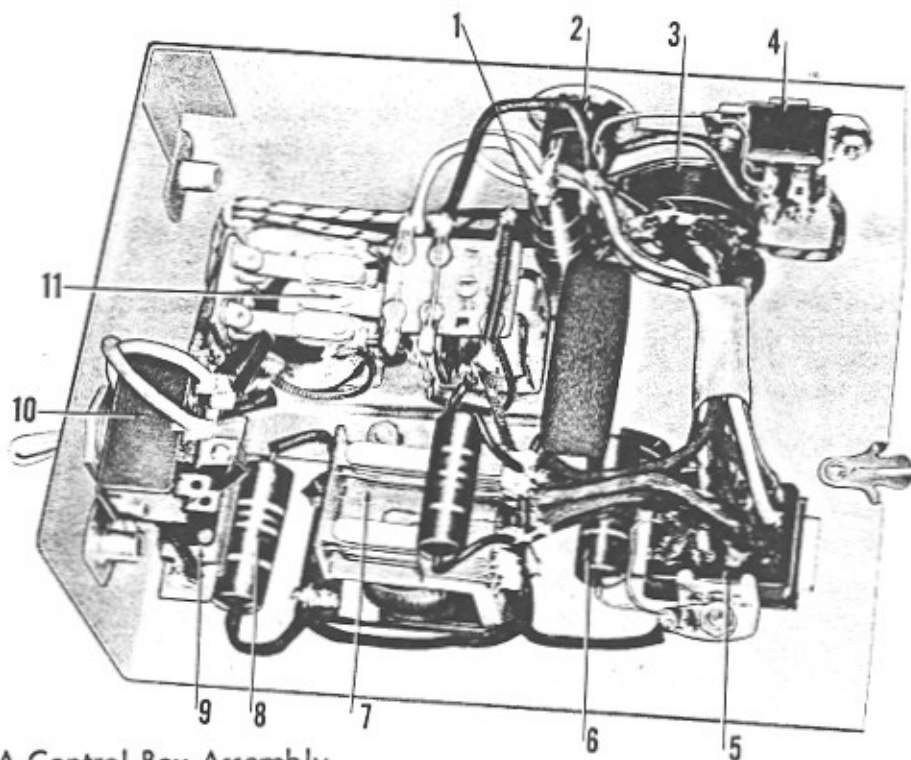
No. 19088-A Accumulator Assembly  
Complete

| Part No. | Description                          |
|----------|--------------------------------------|
| 1        | 14416 Accumulator Capacitor          |
| 2        | 14580-A Accumulator Assembly         |
| 3        | 14035-A 25¢ Ratchet and Hub Assembly |
| 4        | 14036-A 10¢ Ratchet and Hub Assembly |
| 5        | 14037-A 5¢ Ratchet and Hub Assembly  |
| 6        | 14028 Compression Plate              |
| 7        | 17982 Pawl - Reset                   |
| 8        | 14415 Switch - Selection Impulse     |
| 9        | 19213 1 Ohm 5 Watt Resistor          |
| 10       | 19216 Tension Spring                 |
| 11       | 14030 Coil - Reset                   |
| 12       | 15392-A Control Switch Assembly      |
| 13       | 14097 47 Ohm 1/2 Watt Resistor       |
| 14       | 16812 Rectifier                      |
| 15       | 11555 Fuse Holder                    |
| 16       | ST-4306 1/10 Amp. Fusetron           |
| 17       | 16871 8 Prong Male Plug              |
| 18       | 18634 6 Prong Miniature Socket       |



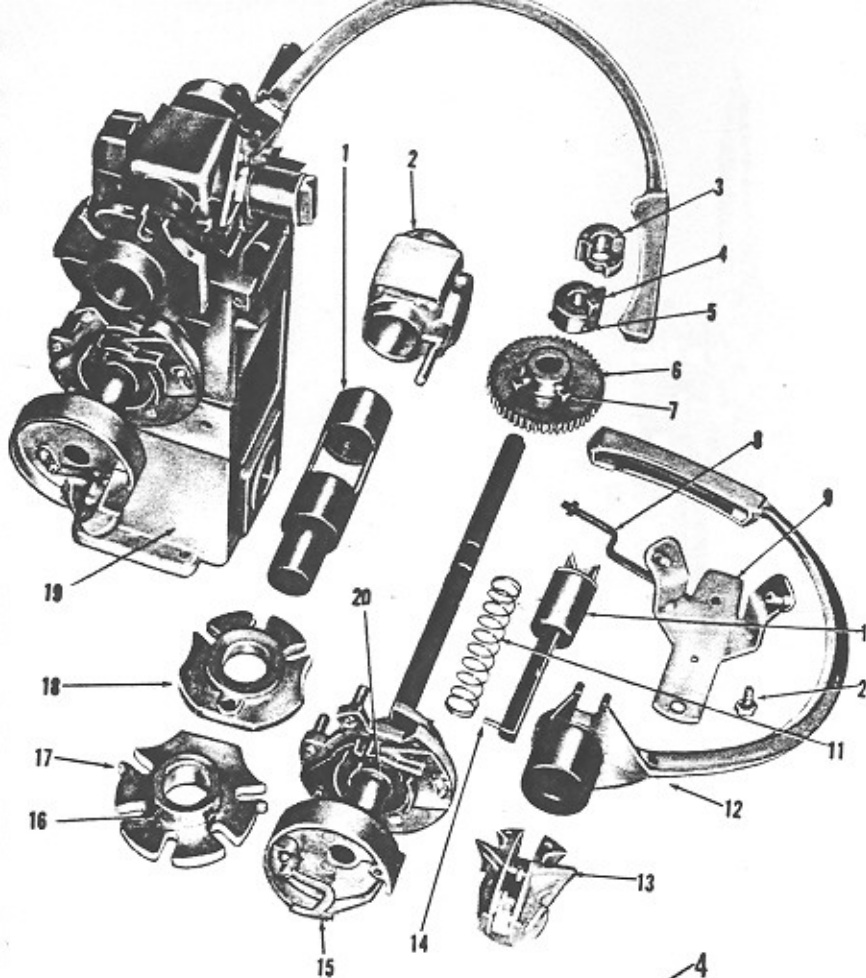
No. 18940 (45 R.P.M.) Turntable Motor Complete

| Part No. | Description                   |
|----------|-------------------------------|
| 1 18940  | Turntable Motor (45 R.P.M.)   |
| 2 17149  | Idler Tension Spring          |
| 3 17148  | Idler Wheel Assembly          |
| 4 17151  | Rotor Shaft Pulley Spring     |
| 5 17150  | Spring Plate Assembly         |
| 6 17160  | Turntable with Center Locator |



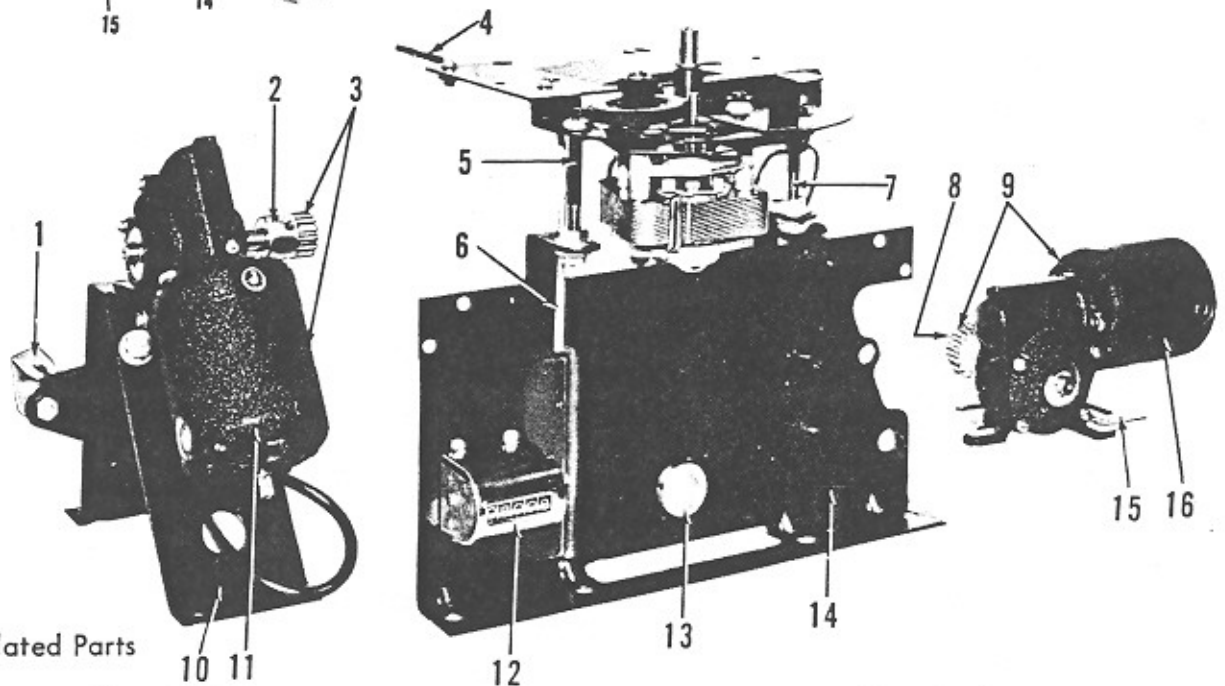
No. 18975-A Control Box Assembly

| Part No.  | Description               | Part No. | Description               |
|-----------|---------------------------|----------|---------------------------|
| 1 14365   | .05 MFD. 400 V. Condenser | 7 18858  | Cancel Relay (D.C.)       |
| 2 16810   | 4 Prong Miniature Socket  | 8 14365  | .05 MFD. 400 V. Condenser |
| 3 PH-3732 | 8 Prong Socket            | 9 16913  | Record Load Switch        |
| 4 17595   | 4 Prong Plug              | 10 16912 | Mechanism Service Switch  |
| 5 16851   | 12 Contact Female Socket  | 11 17599 | Interlock Relay           |
| 6 14365   | .05 MFD. 400 V. Condenser |          |                           |



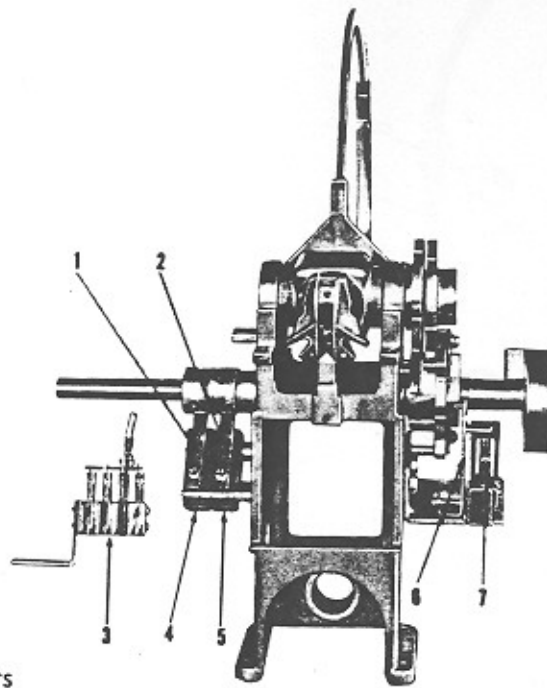
### No. 18813-A Gripper Unit Assembly

| Part No. | Description  |
|----------|--|
| 1        | 18811-A Trunnion Shaft Assembly                      |
| 2        | 16671-A Gripper Spider Assembly                      |
| 3        | 16305 Micro Safety Cam - Outer                       |
| 4        | 17679 Micro Safety Cam - Inner                       |
| 5        | ST-2262 Allen Set Screw                              |
| 6        | 17470 Gripper Shaft Gear                             |
| 7        | ST-2244 Square Head Set Screw                        |
| 8        | 16381 Gripper Connecting Rod                         |
| 9        | 16683-A Gripper Reversing Bracket Assembly           |
| 10       | 18722 Inner Gripper Casting                          |
| 11       | 17133 Gripper Spring                                 |
| 12       | 18721 Gripper Arm                                    |
| 13       | 16299 Gripper Arm Reversing Cam                      |
| 14       | ST-516 Driv-Loc Pin                                  |
| 15       | 17524 Tone Arm Cam Keeper Spring                     |
| 16       | ST-2270 Allen Set Screw                              |
| 17       | 16294 Geneva Gripper Release                         |
| 18       | 16293 Geneva Gripper Turn-over                       |
| 19       | 17552-A Gripper Housing (with Bearing and Stud Only) |
| 20       | 17557-A Gripper Drive Shaft Assembly                 |
| 21       | 16281 Shoulder Screw                                 |



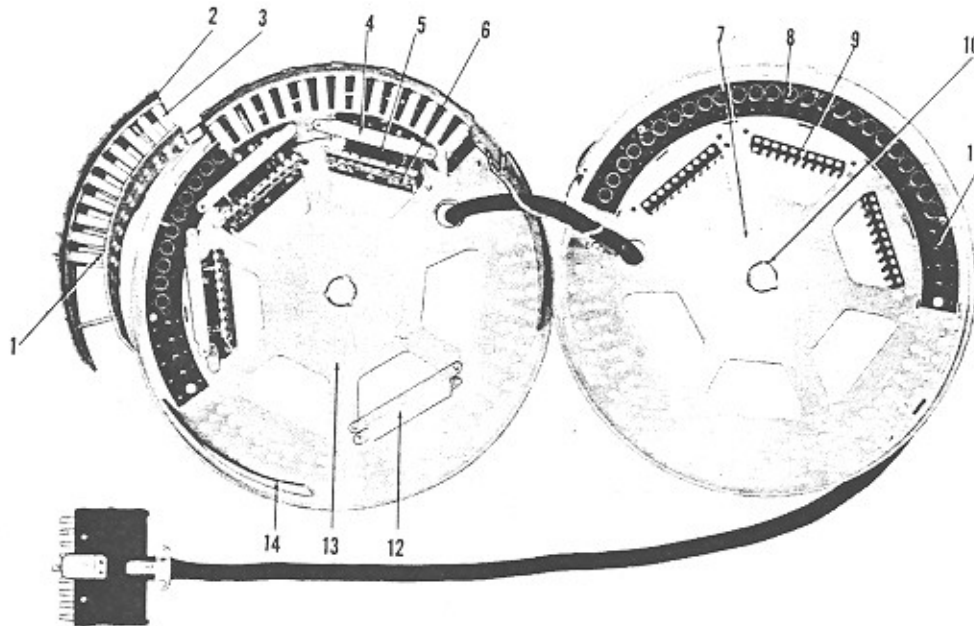
### Motors and Related Parts

| Part No. | Description                             | Part No. | Description                             |
|----------|---|----------|---|
| 1        | 17840-A Reversing Switch Assembly       | 9        | 18960-A Motor and Pinion Assembly       |
| 2        | 16279-1 Gripper Motor Gear              | 10       | 17837-A Motor Mounting Bracket Assembly |
| 3        | 18961-A Gripper Motor and Gear Assembly | 11       | 18070 Magazine and Gripper Motor        |
| 4        | 19348 Counter Wire                      | 12       | 12312 Counter                           |
| 5        | 18786 Turntable Mounting Stud           | 13       | 19014 Selector Plate Bearing            |
| 6        | 19349 Counter Wire Housing              | 14       | 18821-A Mounting Bracket Assembly       |
| 7        | 18786 Turntable Mounting Stud           | 15       | 17170 Motor Clamping Plate              |
| 8        | 16440 Magazine Drive Pinion             | 16       | 18070 Magazine and Gripper Motor        |



### Switches and Related Parts

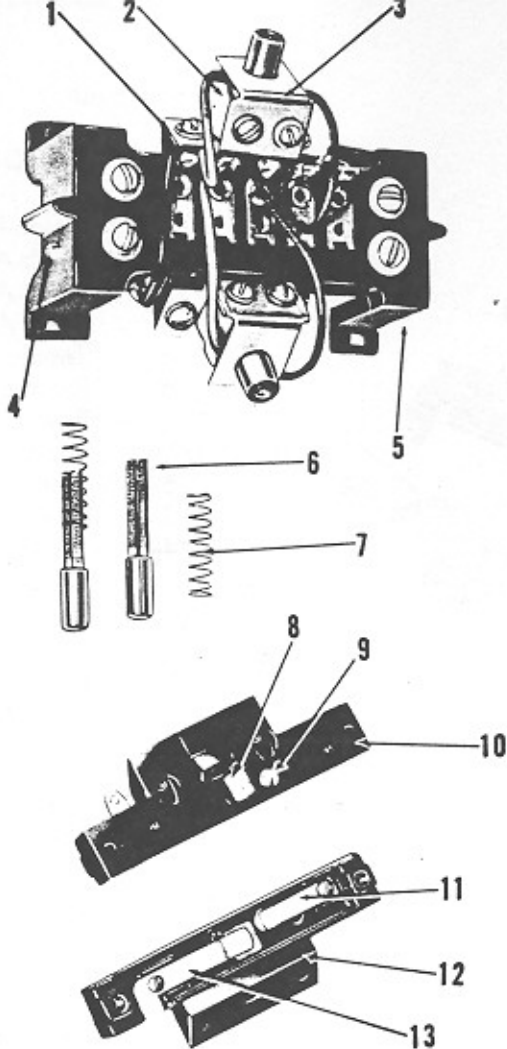
| Part No. | Description                         | Part No. | Description                                  |
|----------|-------------------------------------|----------|--|
| 1        | 17445-A Micro Switch Lever Assembly | 5        | 11609 Micro Switch                           |
| 2        | 17445-A Micro Switch Lever Assembly | 6        | 17963-A Grip Switch Lever Assembly           |
| 3        | 17807-A Reversing Switch Assembly   | 7        | 16979-A Grip Cam Switch and Bracket Assembly |
| 4        | 11609 Micro Switch                  |          |  |



### No. 19465-A Selector Unit Assembly

| Part No. | Description                                | Part No. | Description                             |
|----------|--|----------|---|
| 1        | 19150 Armature Spring                      | 8        | 16330 Selector Coil                     |
| 2        | 19207 Contact Washer                       | 9        | 16572-A Selector Strip Contact Assembly |
| 3        | 16315 Selector Lever                       | 10       | 19014 Selector Plate Bearing            |
| 4        | 16575-A Clapper Bracket Assembly           | 11       | 16313 Selector Insulator                |
| 5        | 16329 Clapper Coil                         | 12       | 16319 Clapper Bracket                   |
| 6        | 16577-A Clapper Armature Riveting Assembly | 13       | 18958-A Selector Bottom Plate Assembly  |
| 7        | 19469-A Selector Top Plate Assembly        | 14       | 18029 Locator Plate Extension (L.H.)    |



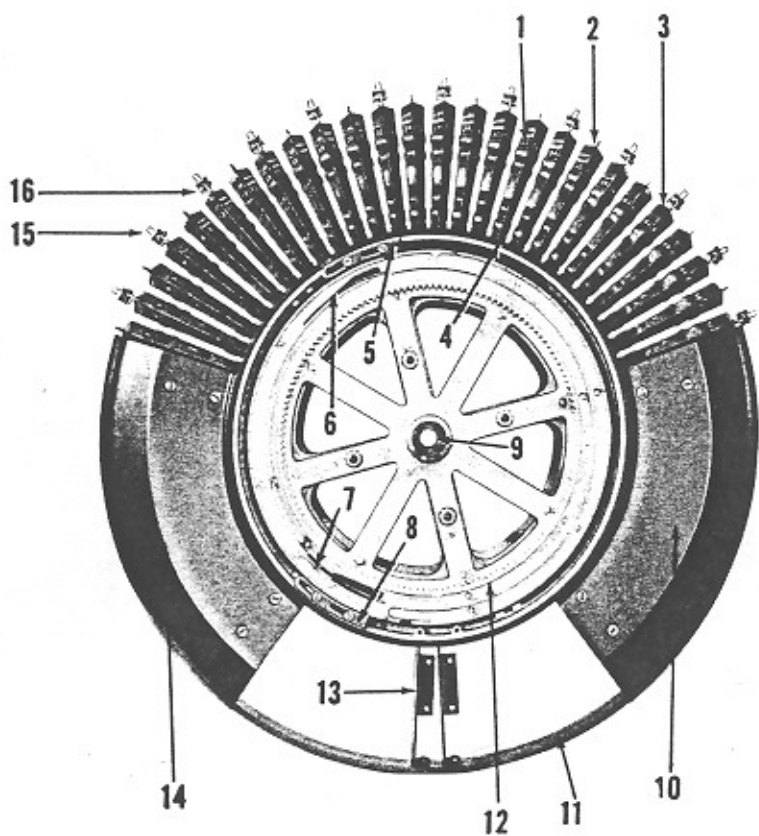


No. 18020-A Carriage Assembly Complete

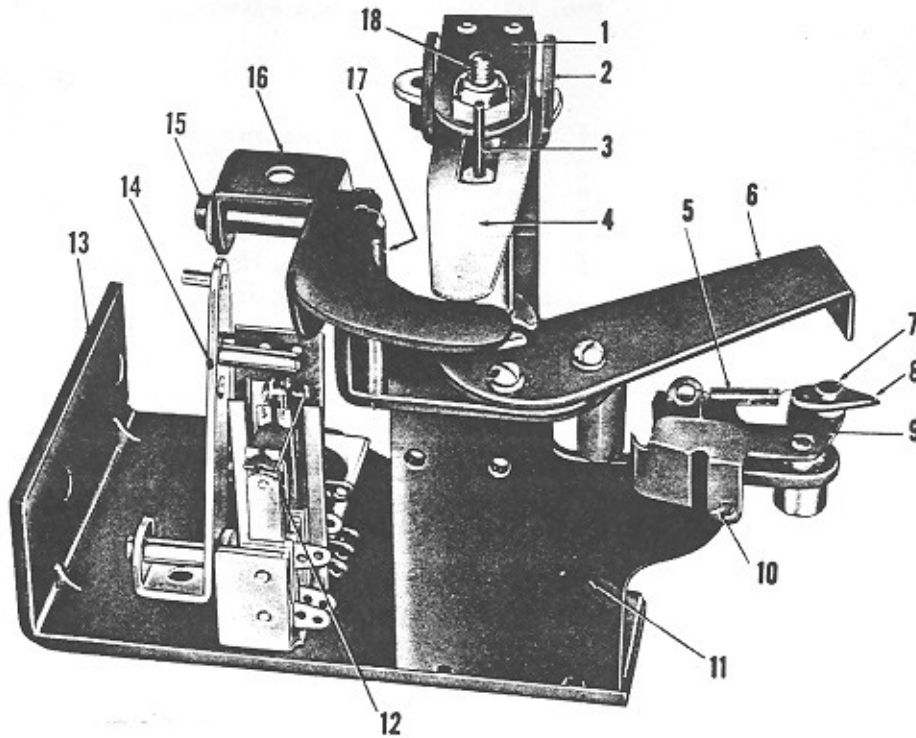
| Part No. | Description                                   |
|----------|---|
| 1        | 16347 Coil Mounting Bracket                   |
| 2        | 18019 Cancel Coil (D.C.)                      |
| 3        | 16348 Coil Mounting Bracket                   |
| 4        | ST-2272 Allen Set Screw                       |
| 5        | 16613-A Carriage Housing and Terminals (Only) |
| 6        | 18018-A Coil Plunger Assembly                 |
| 7        | 16346 Plunger Return Spring                   |
| 8        | 17946-A Contact Assembly                      |
| 9        | 16344 Spacer Pin                              |
| 10       | 16351-1 Contact Block (Only)                  |
| 11       | 16350 Spacer Pin Retainer                     |
| 12       | 17339-A Carriage Contact Block Assembly       |
| 13       | 16349 Contact Retainer                        |

No. 19421-A Record Magazine Assembly

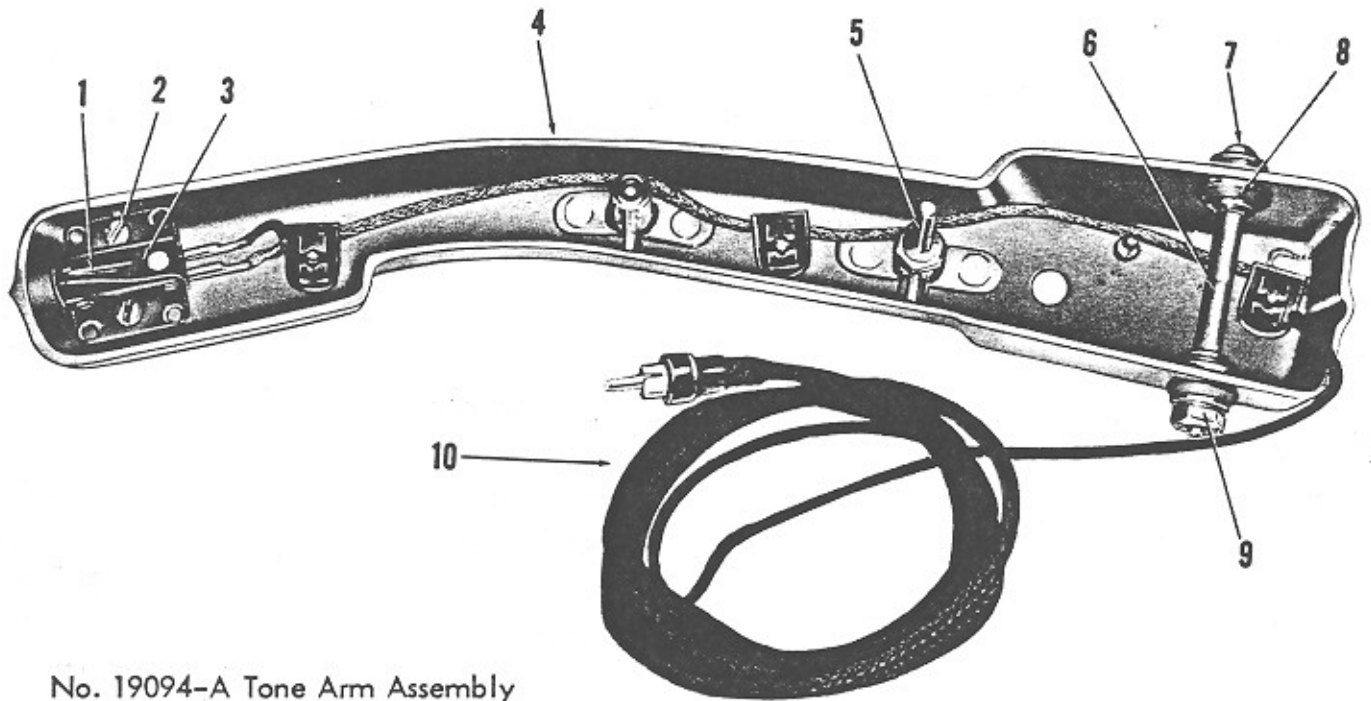
| No. | Part No. | Description                                |
|-----|----------|--|
|     | 1        | 19277 Tray Decal                           |
|     | 2        | 18806-A Tray Assembly (Less Record Keeper) |
|     | 3        | 18803-A Tray and Keeper Assembly           |
|     | 4        | 17310 Rubber Ring                          |
|     | 5        | 17323 Reversing Switch Trip Bracket (L.H.) |
|     | 6        | 17153 Cam Track Spring (L.H.)              |
|     | 7        | 17152 Cam Track Spring (R.H.)              |
|     | 8        | 17322 Reversing Switch Trip Bracket (R.H.) |
|     | 9        | 16645-A External Shaft Assembly            |
|     | 10       | 19276 Magazine Cover                       |
|     | 11       | 19275 Magazine Counterbalance              |
|     | 12       | 18025 Drive Gear                           |
|     | 13       | 18026 Cover Bracket                        |
|     | 14       | 19276 Magazine Cover                       |
|     | 15       | 17956 Record Keeper Spring                 |
|     | 16       | 17312-A Record Keeper Assembly             |



### Tone Arm Mounting

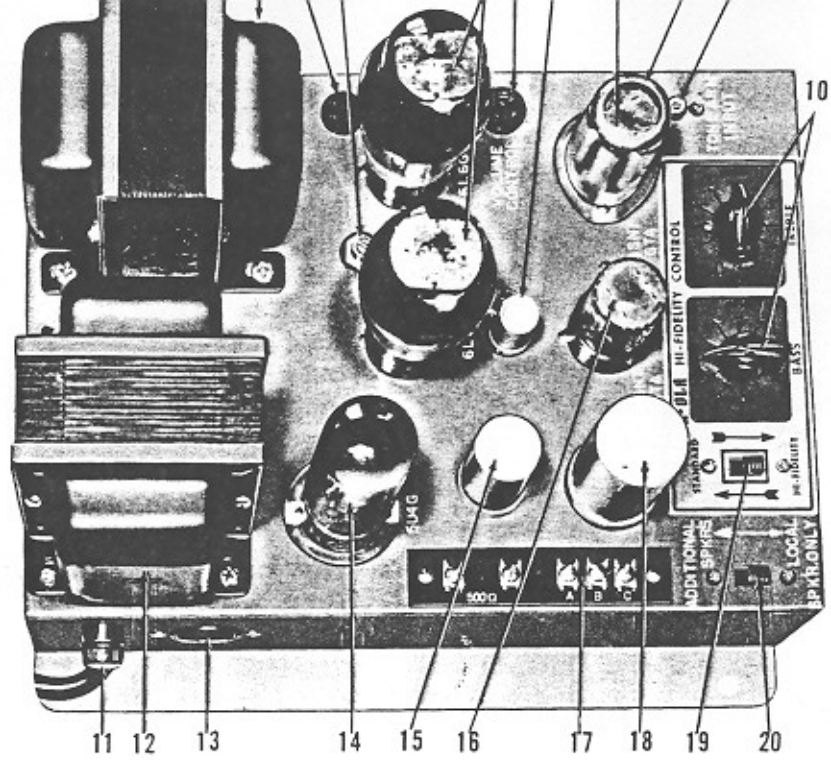


| Part No.   | Description                          |
|------------|--------------------------------------|
| 1 17779-A  | Pivot Plate Assembly                 |
| 2 17521    | Tone Arm Pivot Plate                 |
| 3 17547    | Tone Arm Rest Pin                    |
| 4 17533    | Tone Arm Spring                      |
| 5 10901    | Tension Spring                       |
| 6 17616    | Ratchet Plate                        |
| 7 17540    | Pawl Stud                            |
| 8 17475    | Tone Arm Pawl                        |
| 9 17776-A  | Lever and Pawl Assembly              |
| 10 17543   | Pawl Lever Spring                    |
| 11 17774-A | Tone Arm Bracket Assembly            |
| 12 16979-A | Grip Cam Switch and Bracket Assembly |
| 13 17473   | Tone Arm Mounting Plate              |
| 14 17963-A | Grip Switch Lever Assembly           |
| 15 17539   | Lifter Lever Stud                    |
| 16 17784-A | Lifter Lever and Stud Assembly       |
| 17 17749   | Lifter Lever Spring                  |
| 18 ST-2279 | 8/32 x 1/2 Hollow Set Screw          |



### No. 19094-A Tone Arm Assembly

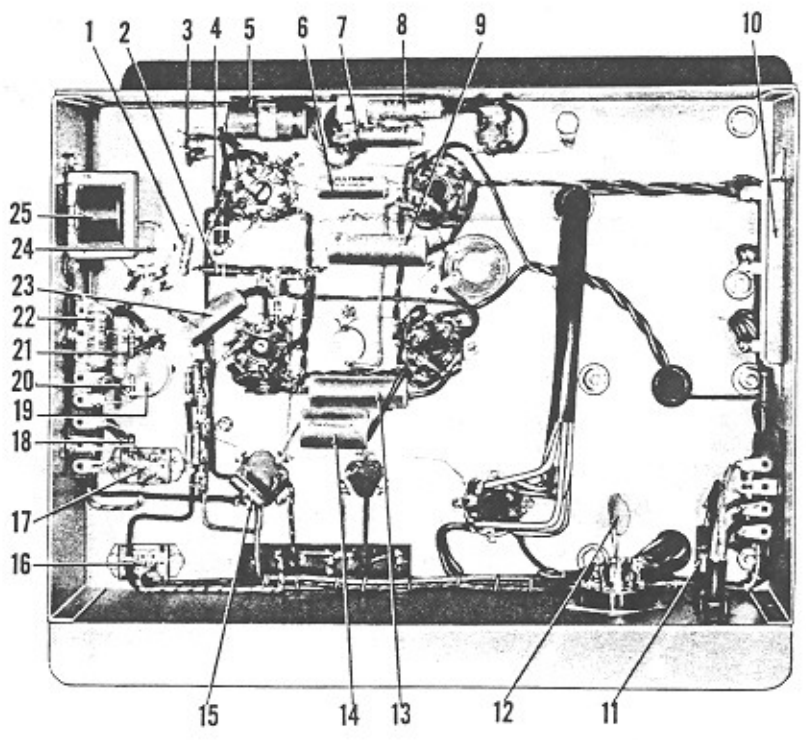
| Part No.  | Description                          | Part No. | Description           |
|-----------|--------------------------------------|----------|-----------------------|
| 1 18512   | Hi-Fi Needle                         | 6 17549  | Tone Arm Bearing      |
| 2 ST-1543 | Screw                                | 7 ST-752 | 6/32 x 1 3/4 R.H.M.S. |
| 3 18390   | Ceramic Pickup Cartridge (45 R.P.M.) | 8 17697  | Tone Arm Grommet      |
| 4 17791-A | Tone Arm Casting Assembly            | 9 ST-403 | 6/32 Hex Nut          |
| 5 17547   | Tone Arm Rest Pin                    | 10 19053 | Input Cable           |

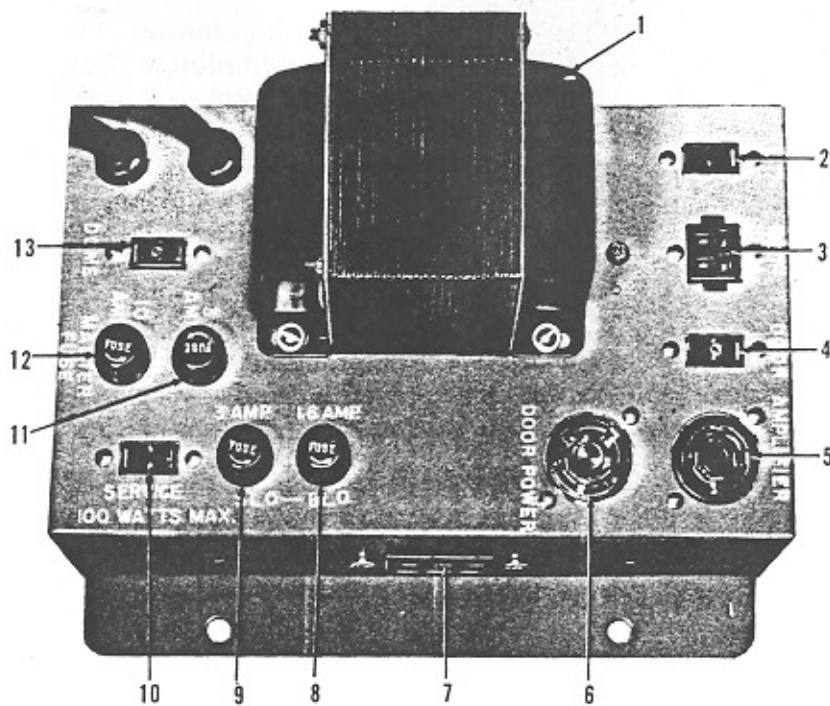


| Part No. | Description                    |
|----------|--------------------------------|
| 1        | 19002 Power Transformer        |
| 2        | 16810 4 Prong Miniature Socket |
| 3        | 18411 Hum Control              |
| 4        | PH-3191 6L6 Tube               |
| 5        | 18634 6 Prong Miniature Socket |
| 6        | 18436 Standee Resistor         |
| 7        | 18385 6 SN7 GTA Tube           |
| 8        | 18412 Tube Shield              |
| 9        | 18402 Input Socket             |
| 10       | 11578 Pointer Knob             |
| 11       | PH-3523 3 Amp. Fuse            |
| 12       | 19003 Output Transformer       |
| 13       | 18414 6 Prong Socket           |
| 14       | PH-3190 5U4 Tube               |
| 15       | 16924 Input Capacitor          |
| 16       | 18385 6 SN7 GTA Tube           |
| 17       | 18401 Terminal Strip           |
| 18       | 16926 Filter Capacitor         |
| 19       | 18403 Slide Switch (SPDT)      |
| 20       | 18606 Slide Switch (DPDT)      |

No. 19389-A Amplifier Assembly (Less Tubes)

| Part No. | Description                      |
|----------|----------------------------------|
| 1        | 19072 .002 MFD. 400 V. Condenser |
| 2        | 19076 15,000 ohm Resistor        |
| 3        | 18677 1.5 Megohm Resistor        |
| 4        | 18417 .01 MFD. 400 V. Condenser  |
| 5        | 17788 .47 MFD. 200 V. Condenser  |
| 6        | 19067 25 MFD. 15 V. Condenser    |
| 7        | 19075 .1 MFD. 200 V. Condenser   |
| 8        | 19075 .1 MFD. 200 V. Condenser   |
| 9        | 19066 .05 MFD. 600 V. Condenser  |
| 10       | 16925 Filter Resistor            |
| 11       | 11555 Fuse Holder                |
| 12       | 13188 Tube Sockets               |
| 13       | 19066 .05 MFD. 600 V. Condenser  |
| 14       | 19028 50 MFD. 50 V. Condenser    |
| 15       | 16222 6800 Ohm Resistor          |
| 16       | 18403 Slide Switch (SPDT)        |
| 17       | 18606 Slide Switch (DPDT)        |
| 18       | 15403 27,000 Ohm Resistor        |
| 19       | 18651 Tone Control               |
| 20       | 13015 47,000 Ohm Resistor        |
| 21       | 19074 .01 MFD. 200 V. Condenser  |
| 22       | 19182 .033 MFD. 200 V. Condenser |
| 23       | 19067 25 MFD. 15 V. Condenser    |
| 24       | 18651 Tone Control               |
| 25       | 19084 Audio Reactore             |



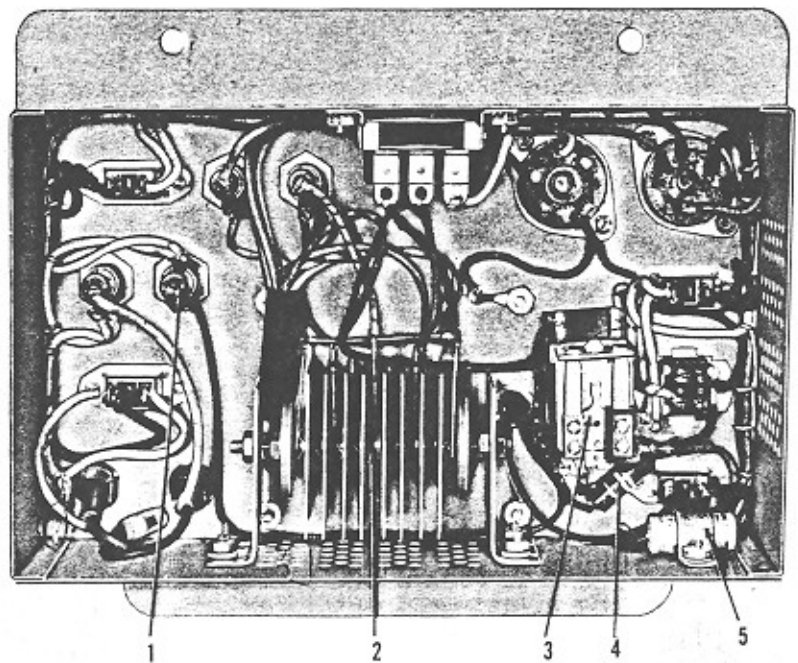


No. 18990-A Power Distribution Panel Assembly

| Part No.   | Description                 |
|------------|-----------------------------|
| 1 17604    | Control Circuit Transformer |
| 2 19006    | Miniature Outlet            |
| 3 17596    | 4 Prong Socket              |
| 4 19006    | Miniature Outlet            |
| 5 PH-3722  | 4 Prong Socket              |
| 6 PH-3740  | 4 Prong Socket              |
| 7 19008    | 6 Prong Jones Socket        |
| 8 ST-4321  | 1.6 Amp. Fuse               |
| 9 ST-3090  | 3 Amp. Slo-Blo Fuse         |
| 10 19006   | Miniature Outlet            |
| 11 PH-3523 | 3 Amp. Fuse                 |
| 12 ST-3092 | 10 Amp. Fuse                |
| 13 19006   | Miniature Socket            |

No. 18990-A Power Distribution Panel Assembly

| Part No. | Description                 |
|----------|-----------------------------|
| 1 11555  | Fuse Holder                 |
| 2 17621  | Power Rectifier             |
| 3 18859  | Start Relay (D.C.)          |
| 4 18417  | .01 MFD. 400 V. Condenser   |
| 5 15476  | .002 MFD. 1200 V. Condenser |



Additional Parts Listing

| Part No.  | Description                     | Part No.   | Description                     |
|-----------|---------------------------------|------------|---------------------------------|
| 1 ST-3046 | Type #44 Bulb                   | 12 18926   | 10¢ and 3 for 25¢ Decal         |
| 2 ST-6028 | Caster                          | 13 18927   | 5¢ - 10¢ - 25¢ Decal            |
| 3 ST-7379 | Cash Door Lock                  | 14 18928   | 5¢ - 10¢ - 6 for 25¢ Decal      |
| 4 ST-7392 | Rear Door Lock (ST-7393 Latch)  | 15 18930   | Cash Door Frame                 |
| 5 ST-7394 | Front Door Lock (ST-7385 Latch) | 16 18938   | Cash Bag                        |
| 6 12053   | 20 W. Fluorescent               | 17 18946   | 10¢ and 4 for 25¢ Decal         |
| 7 13362   | Master Line Switch              | 18 19056   | 15" Hi-Fi Speaker               |
| 8 15159   | Momentary Push Switch           | 19 19106-A | Volume Control Assembly         |
| 9 17008   | Needle Brush                    | 20 19163-A | Skid Front Casting Assem.(R.H.) |
| 10 17804  | Brush Wire                      | 21 19164-A | Skid Front Casting Assem.(L.H.) |
| 11 17958  | Leveling Bolt                   | 22 19324   | 2-5c Decal                      |