

SCHEMATIC DIAGRAM OF SELECTION SYSTEM FOR 120 SELECTION PHONOGRAPH.

When a deposited coin strikes one of the four coin switch levers, located below the slug rejector, a D. C. circuit is completed to the corresponding electro magnet coil in the accumulator, releasing the master ratchet wheel at (A). This movement allows the master control and select light switches to close at (B). The master control switch completes a D. C. circuit through the top level of the push button switch at (C), to the 300 MFD. section of the electrolytic capacitor at (D).

In order for a proper selection to be made, a lettered program switch must be pressed first. In the case of the above diagram, button "A" is depressed. It will be noted that the rest of the switches being in the normal position, allow circuits to be connected to commoning relays for

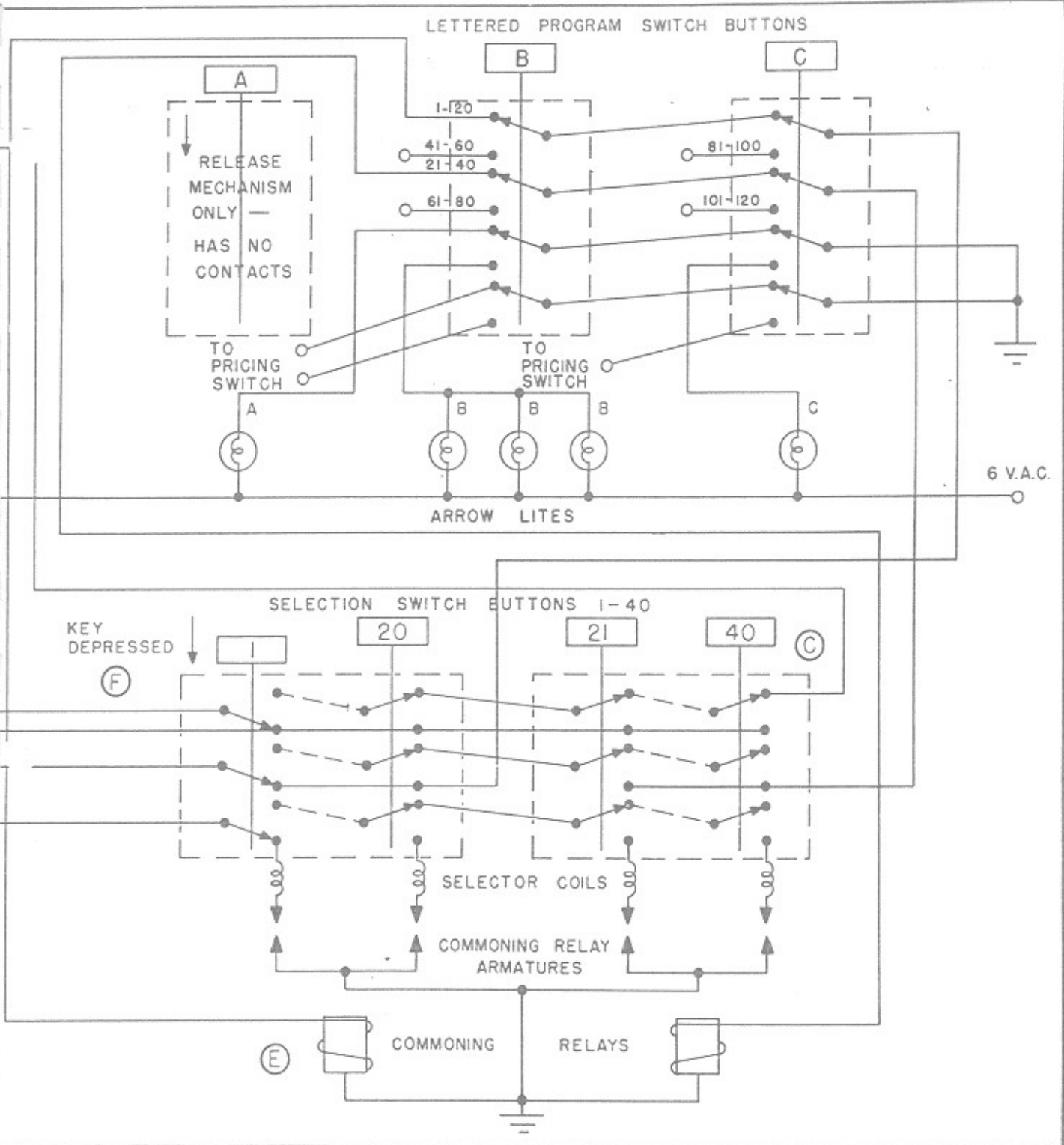


FIG. 9

selection from 1-20 and 21-40 (E). As No. 1 key switch button is pressed, at (F), the switch contacts are repositioned.

This action discharges the 300 MFD. condenser (D) through reset coil (G). The reset coil armature is drawn toward the pole-piece allowing 3 pairs of contacts (H) to momentarily close. 25 V. A. C. is allowed to flow through these contacts completing circuits to the proper commoning relay through the second level of the key switch assembly, and the third level completes a circuit to the proper selector coil. A final circuit is completed through the scan control solenoid (K), allowing the record magazine to scan.

The schematic for the 200 selection phonograph on the following page is identical except for two additional lettered program switches. For convenience, the above information is repeated.