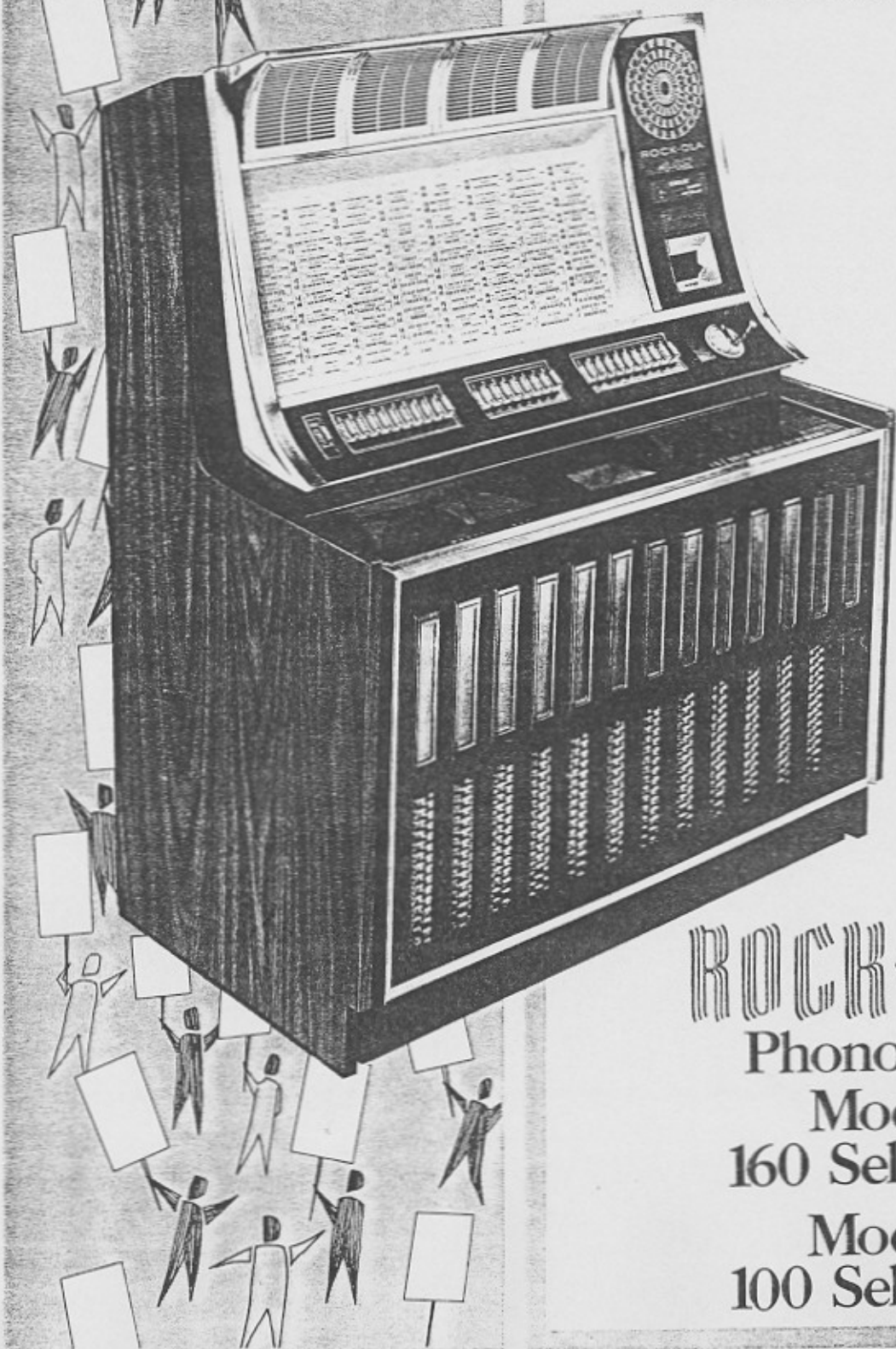


# Parts Catalog



ROCK-OLA

Phonographs

Model 442

160 Selections

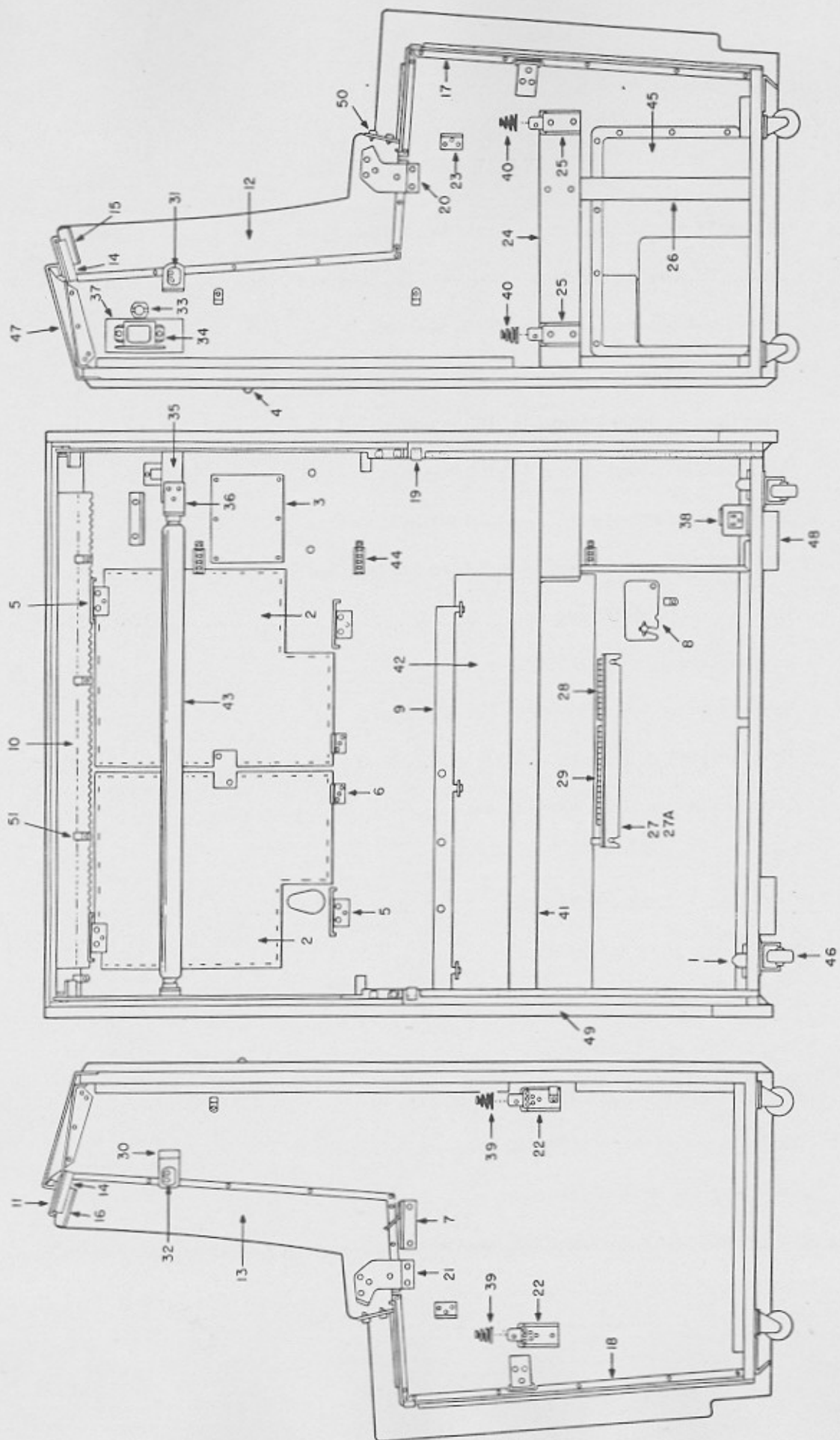
Model 443

100 Selections



## TABLE OF CONTENTS

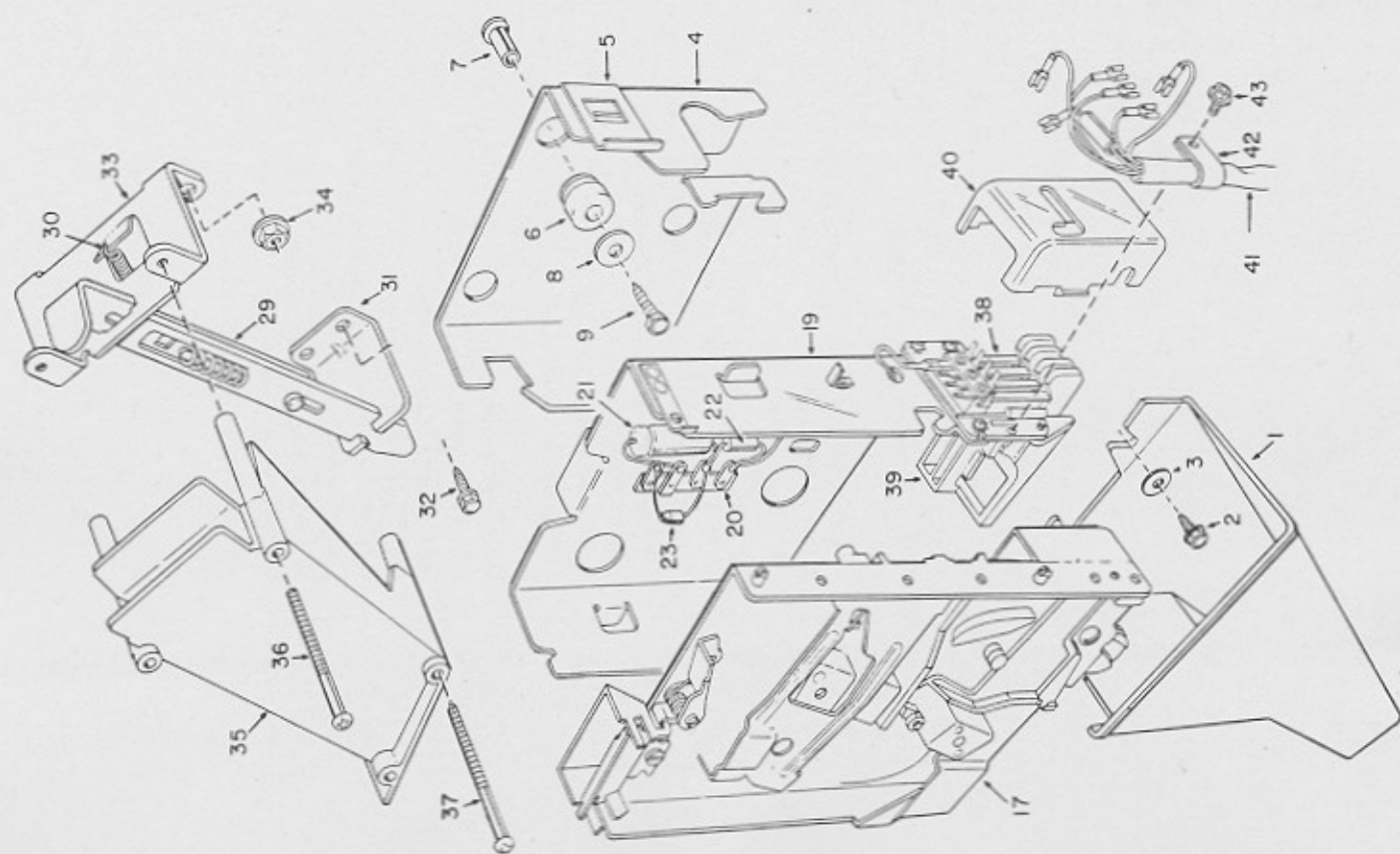
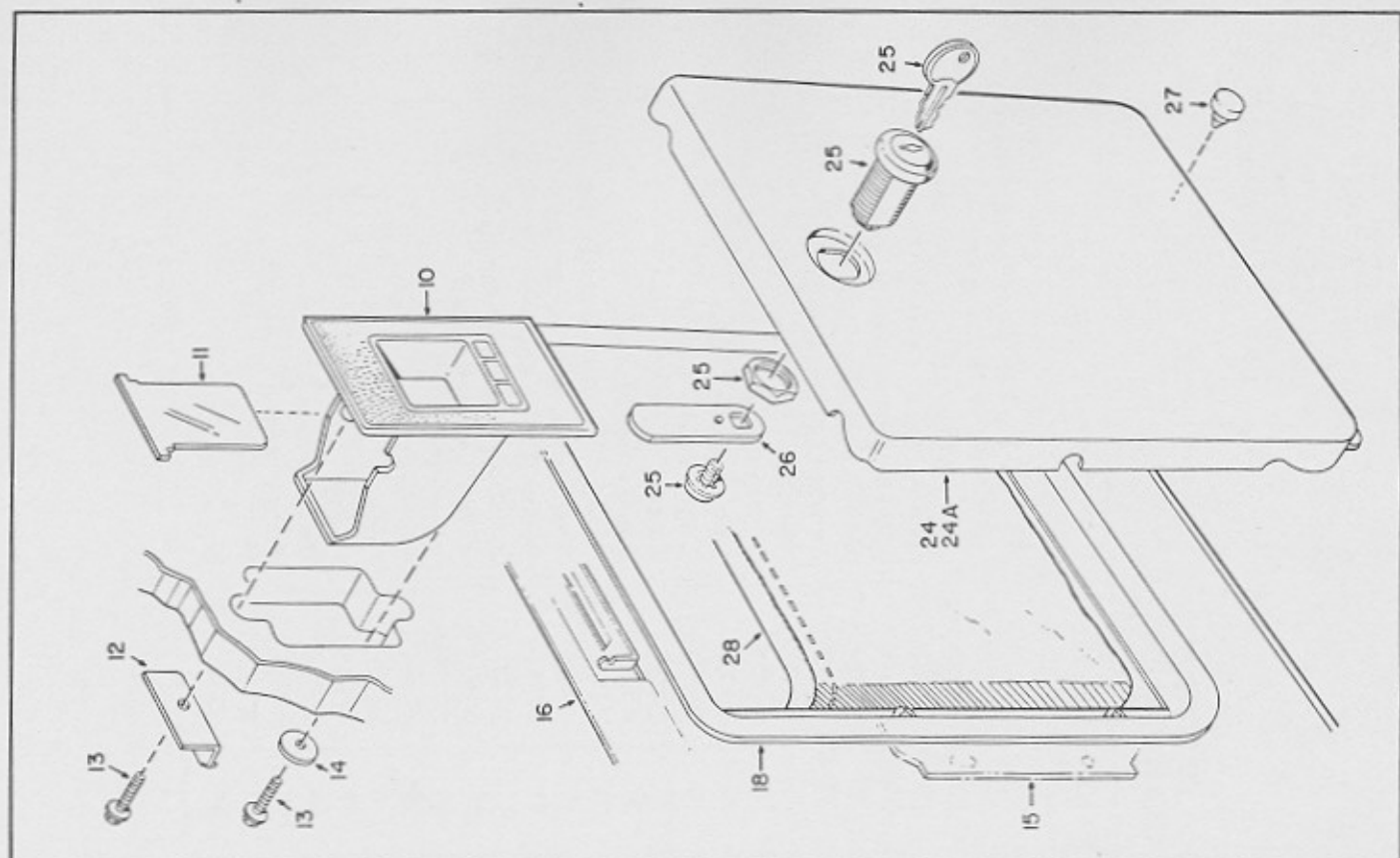
	Page
Cabinet Trim and Related Parts – Model 442-160 Selections . . . . .	4 thru 7
Cabinet Trim and Related Parts – Model 443-100 Selections . . . . .	8 thru 11
Upper Dome Assembly – Model 442-160 Selections . . . . .	12
Upper Dome Assembly – Model 443-100 Selections . . . . .	14
Front Door Assembly – Model 442-160 Selections . . . . .	16
Front Door Assembly – Model 443-100 Selections . . . . .	18
Keyplate and Switch Assembly – Model 442-160 Selections . . . . .	20
Keyplate and Switch Assembly – Model 443-100 Selections . . . . .	21
Mechanism – 100 & 160 Selections . . . . .	22 thru 25
Selector Assembly – 100 & 160 Selections . . . . .	26
Turntable Motor Assembly – 100 & 160 Selections . . . . .	28
Tone Arm and Base Assembly – 100 & 160 Selections . . . . .	30
Gripper Housing – 100 & 160 Selections . . . . .	32
Popularity Counter – 100 & 160 Selections . . . . .	33
Control Box – 100 & 160 Selections . . . . .	34
Credit Unit – 100 & 160 Selections . . . . .	35
Write-in Carriage – 160 Selections . . . . .	36
Write-in Carriage – 100 Selections . . . . .	37
Read-out Carriage – 100 & 160 Selections . . . . .	38
Accumulator Assembly – 100 & 160 Selections . . . . .	39
Power Supply – 100 & 160 Selections . . . . .	40
2/3 Quarter Alternator – 100 & 160 Selections . . . . .	42
Pricing Cards – 100 & 160 Selections . . . . .	43



MODEL 442 - 160 SELECTIONS  
CABINET AND RELATED PARTS

Item	Part No.	Description	Item	Part No.	Description
1	44194-1	Door Hinge Bracket	27	45870-A	Terminal Block Mounting Bracket Assembly
2	45567	Bottom Plate	27A	44708	Terminal Block Mounting Bracket
3	45549	Handle Cover Plate	28	43780	Terminal Block (11)
4	45444	Upper Handle	29	44976	Terminal Block (17)
5	45548	Chassis Hinge Mounting Bracket	30	45515	Light Mounting Bracket Support
6	43687	Bracket	31	45886	Cabinet Light Socket - R.H.
7	45861-A	Dome Stay Rest Bracket Riveting Assembly	32	45887	Cabinet Light Socket - L.H.
8	44157	Cable Cover	33	35117	Fluorescent Starter Socket
9	45566	Back Door Lock Plate	34	42817	25 Watt Ballast - 60 Cycle
10	45555	Cabinet Upper Vent Screen	35	44005-1	Light Mounting Bracket
11	45866-A	Inner Trim - Top & Stud Assembly	36	36788-1	Light Bracket - Cabinet
12	45867-A	Cabinet Inner Trim & Stud Assembly - R.H.	37	43782	Ballast Insulator
13	45868-A	Cabinet Inner Trim & Stud Assembly - L.H.	38	45780-A	Junction Box Assembly - 117V.
14	45483	Hinge Mounting Bracket	39	34405	Chassis Spring Black (Magazine Side)
15	45983	Corner Blocking Shield - R.H.	40	39680	Chassis Spring Red (Selector Side)
16	45984	Corner Blocking Shield - L.H.	41	45583	Cabinet Support Channel
17	45557	Door Stop Angle - R.H.	42	45892-A	Back Door & Bumper Assembly
18	45558	Door Stop Angle - L.H.	43	V-10875	25 Watt Fluorescent Light
19	ST-9840	"U" Type Speed Clip	44	ST-9844	Harness Clamp
20	45492	Dome Latch Bracket - R.H.	45	45445	Cash Box Housing
21	45493	Dome Latch Bracket - L.H.	46	ST-6030	Casters
22	44739-A	Chassis Mounting Bracket Welding Assembly	47	46563	Louvered Top
23	45589	Door Latch Bracket	48	36636-1	Handle Bracket
24	45568	Horizontal Mechanism Support	49	45547	Plastic Moulding
25	45677	Mechanism Support Bracket	50	ST-2318	Plug Bumper
26	45569	Vertical Mechanism Support	51	ST-3609	Nylon Clamp 5/8

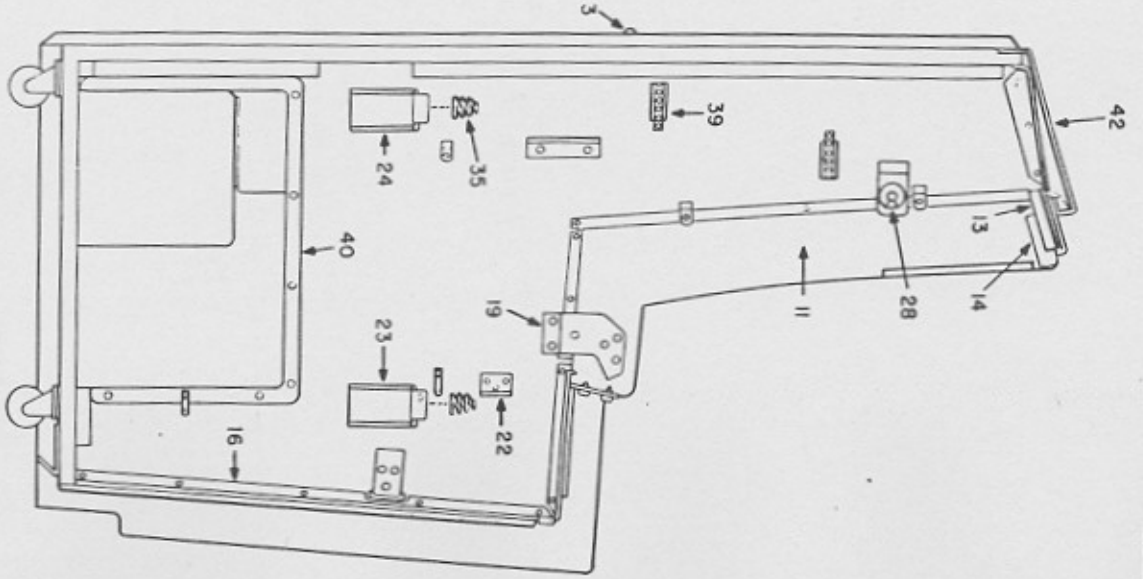
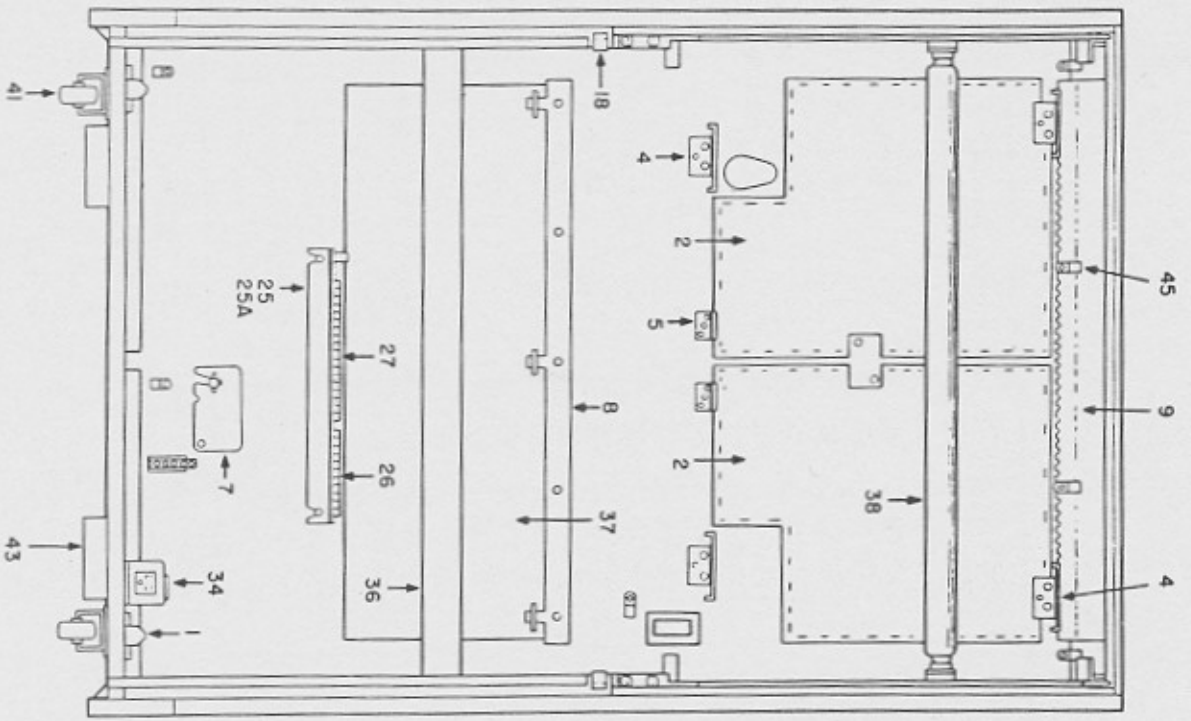
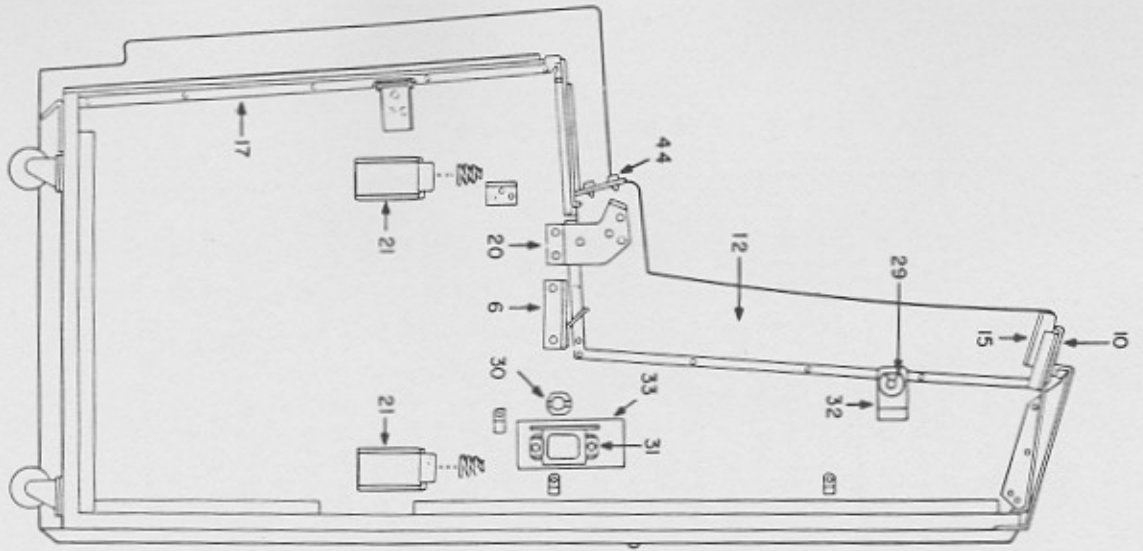




**SLUG REJECTOR AND CASH BOX HOUSING ASSEMBLY  
MODEL 442 — 160 SELECTIONS**

Item	Part No.	Description	Item	Part No.	Description
1	44989	Lower Coin Chute	23	44875	Silicon Rectifier
2	ST-9710	#8x5/8 Hex Flg.	24	45034-A	Cash Box Door Assembly
3	ST-4870	Flat Washer	24-A	43692-1	Cash Box Door (only)
4	45042-A	Slug Rejector Housing Cabinet Riveting Assembly	25	ST-7379	Lock
5	44867	Latch Spring	26	44995	Cam Bolt
6	44517	Mounting Grommet	27	43293	Button Bumper
7	44518	Grommet Spacer	28	43802	Cash Bag
8	ST-3139	Flat Washer	29	45529-A	Plunger Riveting Assembly
9	ST-9717	#10x1 Hex Flg.	30	44441	Plunger Return Spring
10	44544	Coin Return Cup	31	44411-1A	Plunger Mounting Bracket Rivet Assembly
11	34935	Coin Return Cup Flap	32	ST-9710	#8x5/8 Hex Flg
12	44543	Coin Cup Mounting Bracket	33	45574	Coin Chute Mounting Bracket
13	ST-9722	#8x3/4 Hex Flg.	34	ST-8722	10-32 Hex Flg. Whiz Lock Nut
14	ST-4843	Flat Washer	35	45446	Coin Chute — Upper
15	44996	Plate-Cash Door Frame Mounting	36	ST-7253	8-32x2 3/4 Phil. P.H.M.S.
16	45036-A	Horn Support Bracket Assembly	37	ST-9726	#8x2 7/8 Phil. P.H.
17	45860	Slug Rejector — 50¢	38	45465-A	Coin Switch Assembly — 50¢
18	43691-1	Cash Door Frame	39	45460	Coin Guide
19	45043-1A	Slug Rejector Housing Riveting Assembly	40	45463	Coin Switch Cover
20	45041	4 Lug Terminal Strip	41	45859-A	Coin Switch Cable (160 Selection Only)
21	41501	100 Mfd. 64V. Electrolytic Capacitor	42	ST-9806	Tube Clamp
22	33248	47 Ohm — 1 Watt Resistor	43	ST-8256	6-32x1/4 Hex Flg.



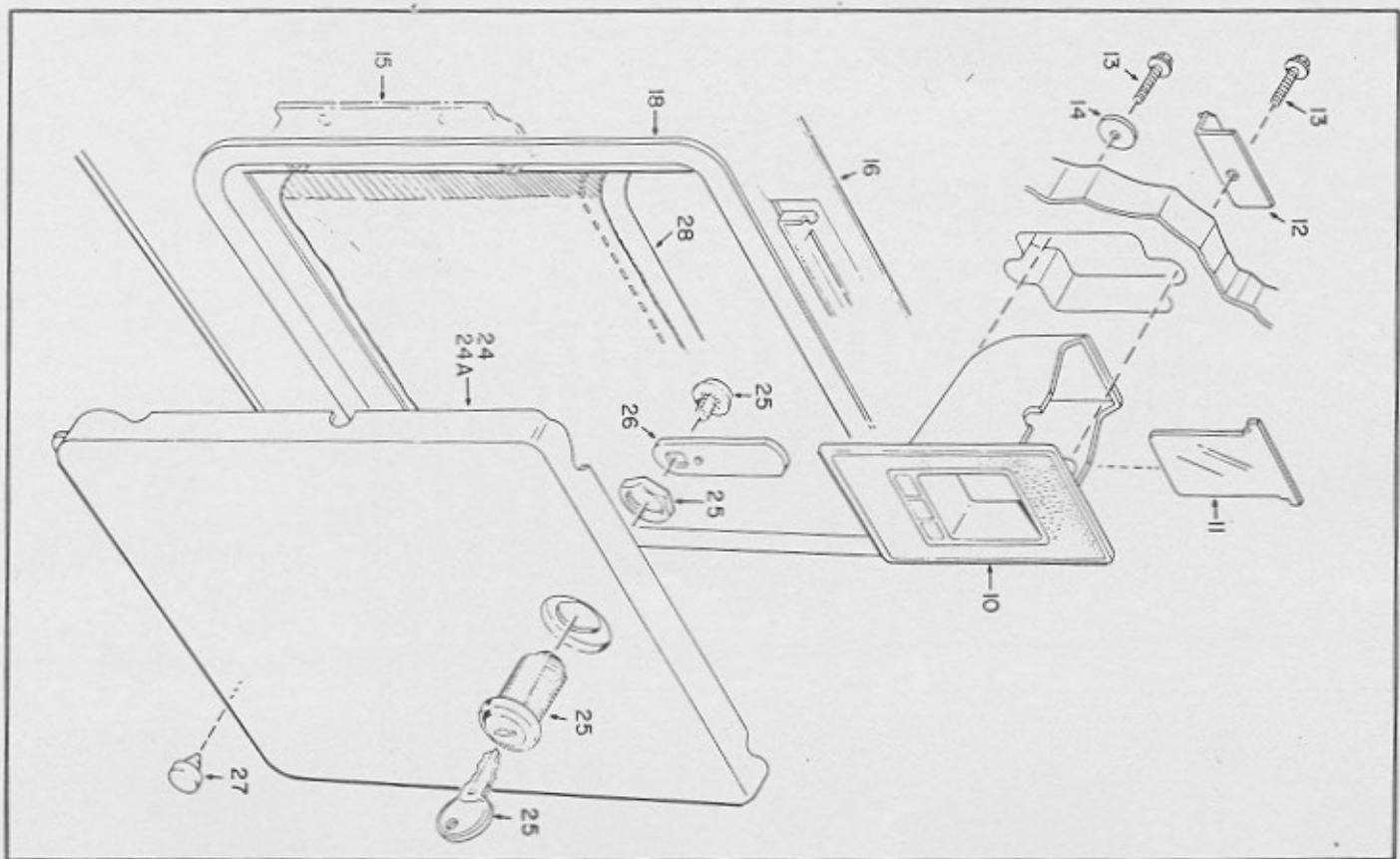
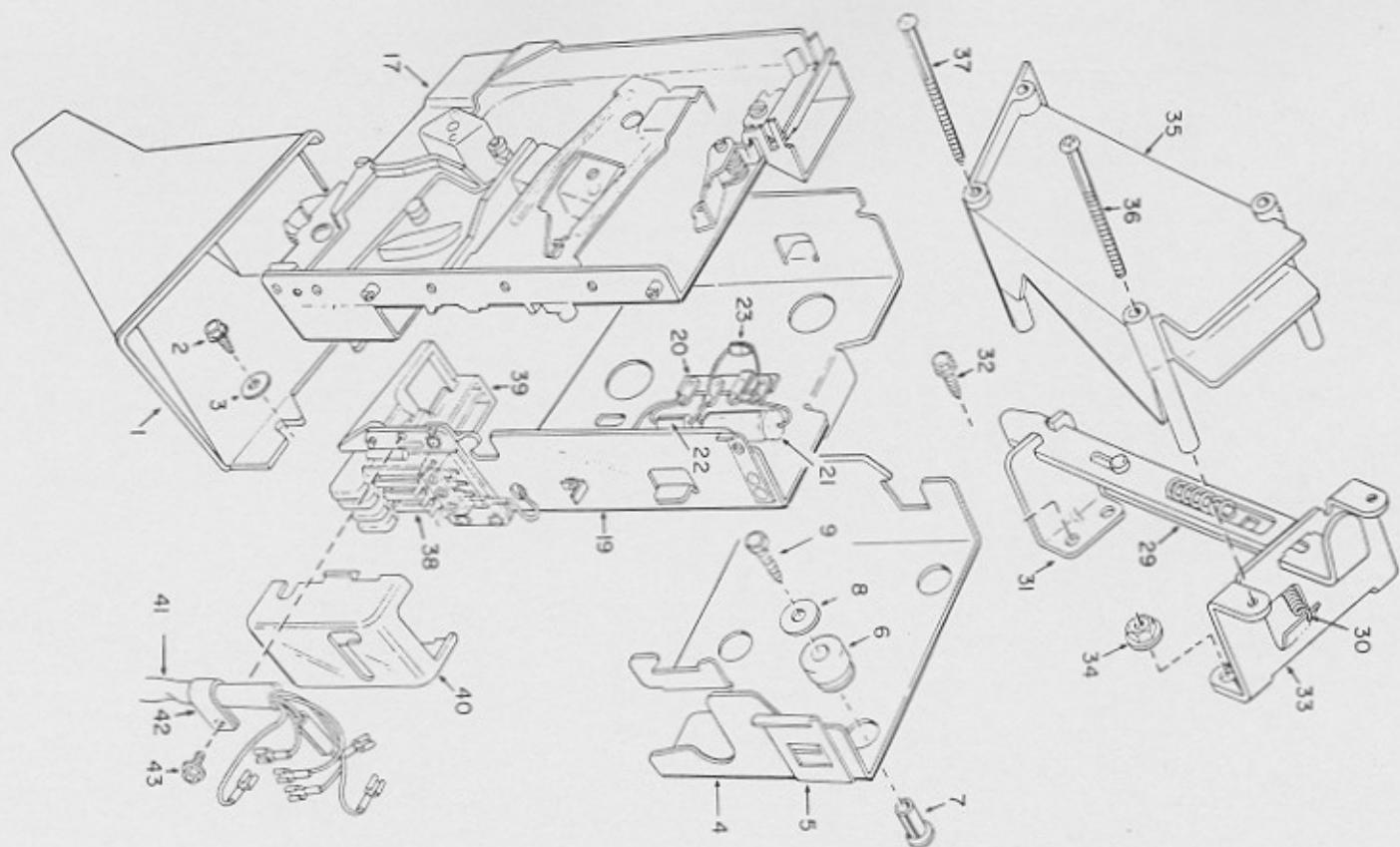


MODEL 443 - 100 SELECTIONS  
CABINET AND RELATED PARTS

Item	Part No.	Description	Item	Part No.	Description
1	44194-1	Door Hinge Bracket	24	46027	Chassis Mounting Bracket (R.H. - Rear)
2	45567	Amplifier Bottom Plate	25	45870-A	Terminal Block Mounting Bracket Assembly
3	45444	Upper Handle	25A	44708	Terminal Block Mounting Bracket
4	45548	Chassis Hinge Mounting Bracket	26	43780	Terminal Block (11)
5	43687	Bracket	27	44976	Terminal Block (17)
6	45861-A	Dome Stay Rest Bracket Riveting Assembly	28	46179	Cabinet Light Socket - R.H.
7	44157	Cable Cover	29	46177	Cabinet Light Socket - L.H.
8	46164	Back Door Lock Plate	30	35117	Fluorescent Starter Socket
9	46031	Cabinet Upper Vent Screen	31	42817	25 Watt Ballast - 60 Cycle
10	46057-A	Inner Trim - Top & Stud Assembly	32	46153	Lite Mounting Bracket
11	45867-A	Cabinet Inner Trim & Stud Assembly - R.H.	33	43782	Ballast Insulator
12	45868-A	Cabinet Inner Trim & Stud Assembly - L.H.	34	45780-A	Junction Box Assembly - 117V.
13	45483	Hinge Mounting Bracket	35	34405	Chassis Spring - Black
14	45983	Corner Blocking Shield - R.H.	36	46032	Cabinet Support Channel
15	45984	Corner Blocking Shield - L.H.	37	46058-A	Back Door and Bumper Assembly
16	45557	Door Stop Angle - R.H.	38	V-10671	25 Watt Fluorescent Light
17	45558	Door Stop Angle - L.H.	39	ST-9844	Harness Clamp (Phono Cables)
18	ST-9840	"U" Type Speed Clip	40	45445	Cash Box Housing
19	45492	Dome Latch Bracket - R.H.	41	ST-6030	Casters
20	45493	Dome Latch Bracket - L.H.	42	46028	Louwered Top
21	44739-A	Chassis Mounting Bracket Welding Assembly	43	36636-1	Handle Bracket
22	45589	Door Latch Bracket	44	ST-2318	Plug Bumper
23	46026	Chassis Mounting Bracket (R.H. - Front)	45	ST-3609	Nylon Clamp 5/8



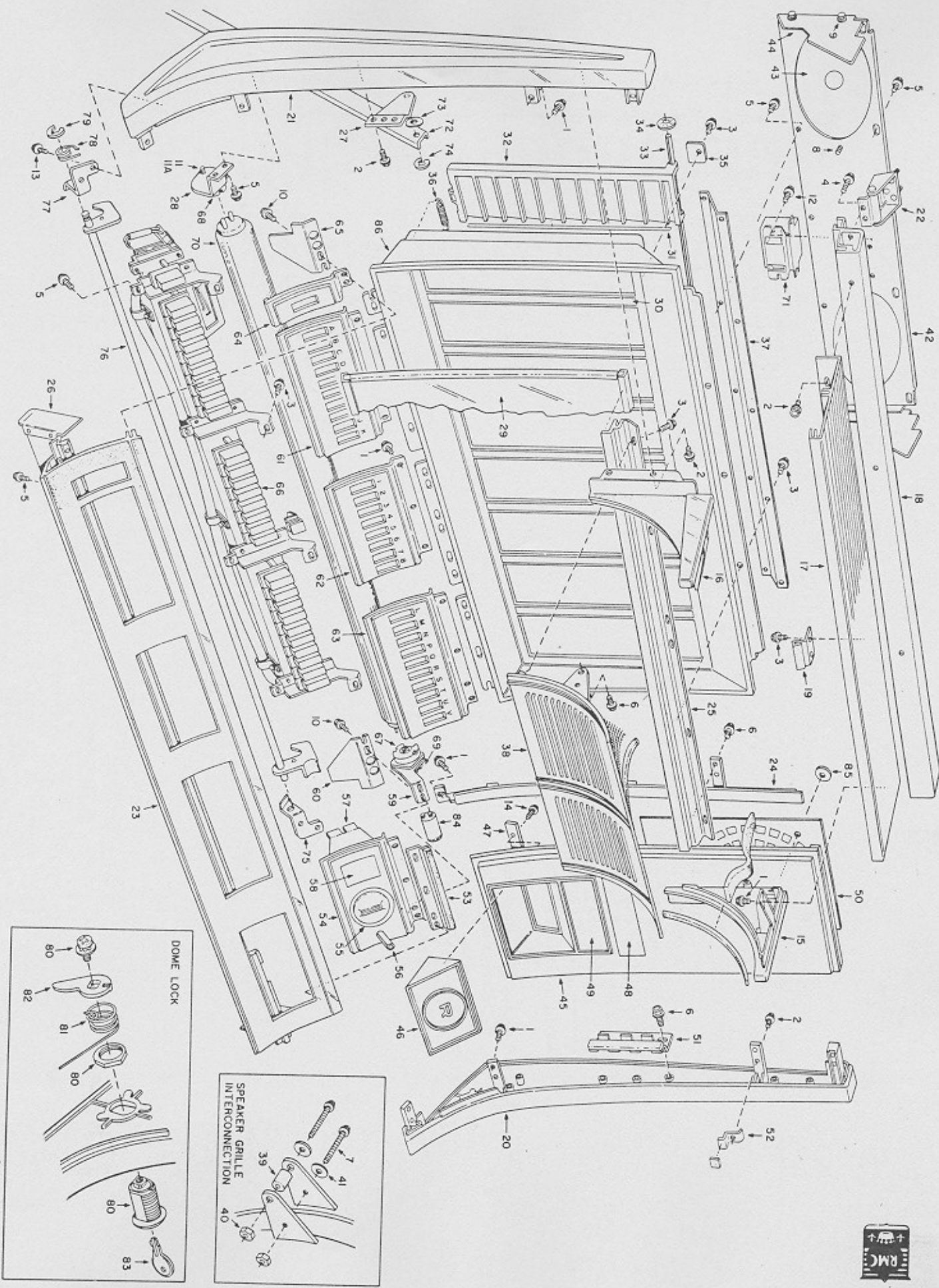




**SLUG REJECTOR AND CASH BOX HOUSING ASSEMBLY  
MODEL 443 — 100 SELECTIONS**

Item	Part No.	Description	Item	Part No.	Description
1	44989	Lower Coin Chute	23	44875	Silicon Rectifier
2	ST-9710	#8x5/8 Hex Flg.	24	45034-A	Cash Box Door Assembly
3	ST-4870	Flat Washer	24A	43692-1	Cash Box Door (only)
4	45042-A	Slug Rejector Housing Cabinet Riveting Assembly	25	ST-7379	Lock
5	44867	Latch Spring	26	44995	Cam Bolt
6	44517	Mounting Grommet	27	43293	Button Bumper
7	44518	Grommet Spacer	28	43802	Cash Bag
8	ST-3139	Flat Washer	29	45529-A	Plunger Riveting Assembly
9	ST-9717	#10x1 Hex Flg.	30	44441	Plunger Return Spring
10	44544	Coin Return Cup	31	44411-1A	Plunger Mounting Bracket Rivet Assembly
11	34935	Coin Return Cup Flap	32	ST-9710	#8x5/8 Hex Flg
12	44543	Coin Cup Mounting Bracket	33	45574	Coin Chute Mounting Bracket
13	ST-9722	#8x3/4 Hex Flg.	34	ST-8722	10-32 Hex Flg. Whiz Lock Nut
14	ST-4843	Flat Washer	35	45446	Coin Chute — Upper
15	44996	Plate-Cash Door Frame Mounting	36	ST-7253	8-32x2 3/4 Phil. P.H.M.S.
16	45036-A	Horn Support Bracket Assembly	37	ST-9726	#8x2 7/8 Phil. P.H.
17	45860	Slug Rejector — 50¢	38	45465-A	Coin Switch Assembly — 50¢
18	43691-1	Cash Door Frame	39	45460	Coin Guide
19	45043-1A	Slug Rejector Housing Riveting Assembly	40	45463	Coin Switch Cover
20	45041	4 Lug Terminal Strip	41	44978-A	Coin Switch Cable (100 Selection Only)
21	41501	100 Mfd. 64V. Electrolytic Capacitor	42	ST-9806	Tube Clamp
22	33248	47 Ohm — 1 Watt Resistor	43	ST-8256	6-32x1/4 Hex Flg.

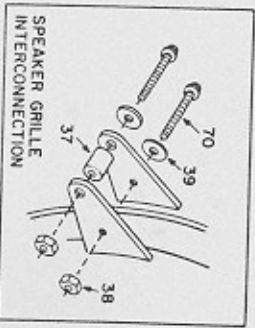
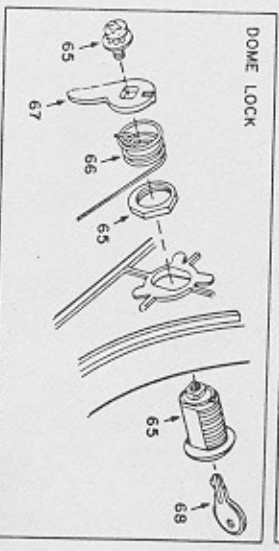
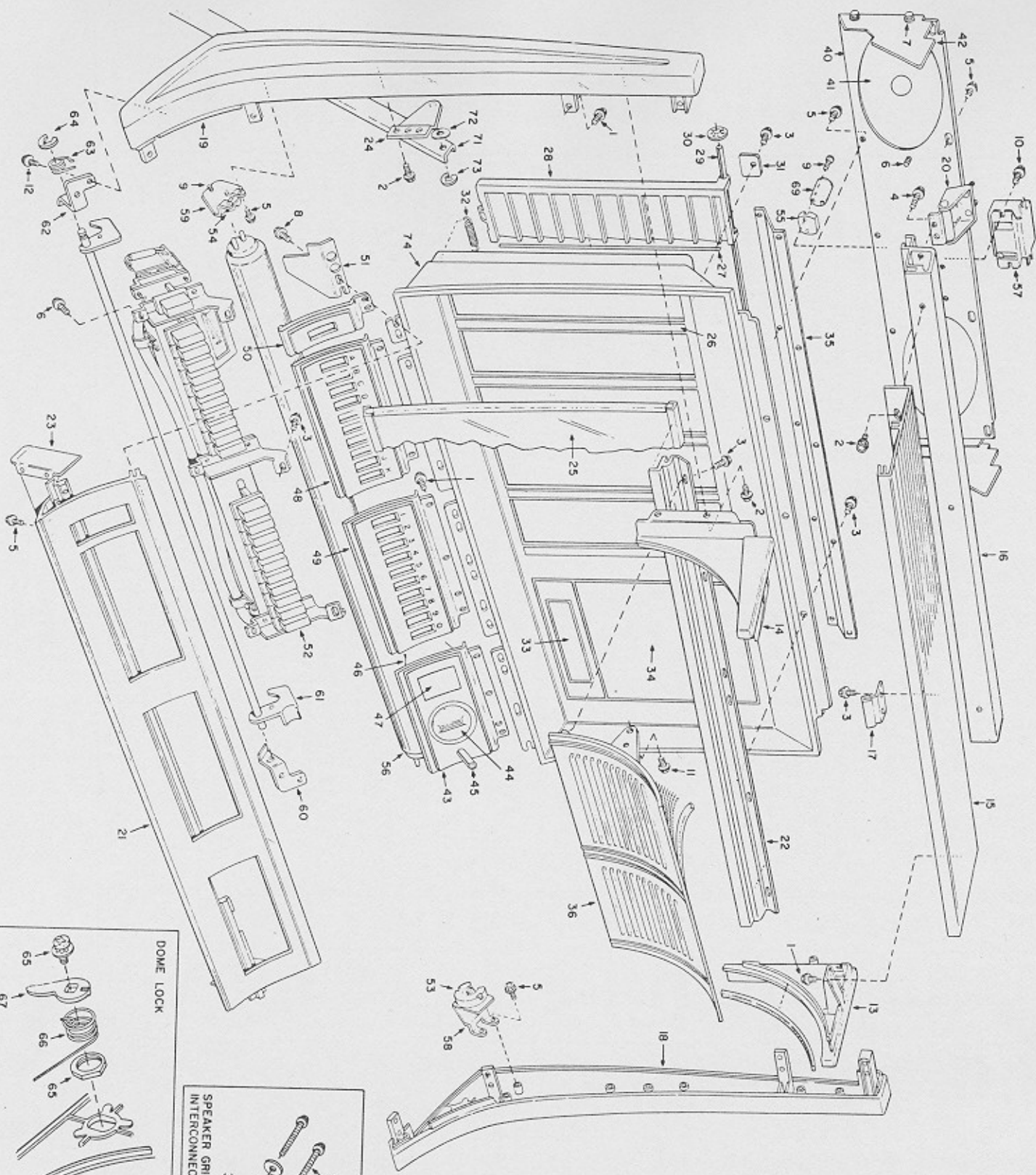




**DOME ASSEMBLY — 160 SELECTIONS**  
No. 45585-A

Item	Part No.	Description	Item	Part No.	Description	Item	Part No.	Description
S1	ST-8298	8x1/2 Hex Fig.	32	43430	Program Holder	57	454/3	Select Light Housing
2	ST-8271	8-32x1/2 Hex Fig.	33	45687	Pin Program Holder Hinge		376/5	Lite Socket
3	ST-8296	8x3/8 Hex Fig.	34	ST-9398	Push Nut		ST-1046	Bulb #44
4	ST-8283	10-24x3/4 Hex Fig.	35	45507	Program Retainer Strip	58	455.0	Select Card — L.P.
5	ST-8269-D	8-32x3/8 Hex Fig.	36	45474	Program Holder Spring	59	455.14	Lite Mounting Brkt. R.H.
6	ST-8268	8-32x5/16 Hex Fig.	37	45485	Speaker Frame "Z" Channel	60	455/11	Protection Cover R.H.
7	ST-2562	6-32x7/8 Hex Fig. W.L.	38	45878-A	Speaker Grille Assembly	61	454/50	Letter Window (A-K)
8	ST-8281	#10-24x1/2 Hex Fig.			(With Foam Cushion #42722)			(With Felt Gasket #38314)
9	ST-9712	8x32 Tap Screw	39	45506	Spacer	62	454/53	Number Window (1-8)
10	ST-9710	8x5/8 Hex Fig.	40	ST-8715	6-32 Hex Whiz Lock Nut			(With Felt Gasket #38314)
11	ST-9724	4-40x5/8 P.P.H. Left Side	41	ST-4835	Flat Washer	63	454/51	Letter Window (L-V)
11A	ST-6542	4-36x3/4 P.P.H. Right Side	42	45484	Speaker Mounting Frame			(With Felt Gasket #38314)
12	ST-8280	10-24x3/8 Hex Fig.	43	45736	Speaker (Oval Tweeter)	64	45454	Reset Window — Domestic
13	ST-8277	8-32x7/16 P.P.H.	44	45714	Light Blocking Plate			(With Felt Gasket #38314)
14	ST-8272	8-32x5/8 Hex Fig.	45	45441	Bill Acceptor Frame	65	45552	Protection Cover L.H.
15	45427	Spk. Side Casting R.H.			(With Felt Gasket #38314)	66	45735-A	Push Button Switch Assembly
		(With Felt Gasket #38314)			Divider Casting Side & Foam			(See Page 20)
16	45428	Spk. Side Casting L.H.	46	45442	Cushion #42944 Frame Top)	67	45936	Dome Light Socket R.H.
		(With Felt Gasket #38314)	47	45457	Bill Acceptor Frame Insert	68	45937	Dome Light Socket L.H.
17	45469	Top Extrusion Speaker Box	48	45881	Frame Insert Retainer	69	45938	Fluorescent Starter Socket
18	45468	Dome Top Extrusion	49	45513	Pricing Card — 2/25¢	70	V-10875	25 Watt Fluorescent Lite
19	45667	Upper Grill Retainer Brkt.	50	45508	Color Display Sheet — Dome	71	42817	25 Watt Ballast — 60 Cycle
		(With Rubber Channel #41387)	51	44239	Side Retainer	72	45559	Dome Stay
20	45424	Dome Side Casting R.H.			(With Rubber Cushion	73	ST-4822	Spring Washer
21	45425	Dome Side Casting L.H.			#45191 & 33358)	74	ST-16	Keeper
22	45872-A	Hinge Riveting Assembly	52	45430	Bill Acceptor Frame Support	75	45489	Dome Lock Pivot Brkt. R.H.
23	45471	Key Plate Extrusion	53	45473	(With Rubber Cushion #40367)	76	45487-A	Dome Lock Shaft Weld Assembly
24	45426	Divider Extrusion	54	45456	Display Panel Retainer Bottom	77	45490	Dome Lock Pivot Brkt. L.H.
25	45470	Dome Center Extrusion			(With Rubber Cushion #45473)	78	45976	Lock Link Return Spring
26	45874-1A	Key Plate Lower Riv. Assembly			Select & Coin Window	79	ST-9827	Keeper
27	45875-A	Dome Stay Pivot Bracket			(With Felt Gasket #38314)	80	ST-7408-1	Lock
28	45505	Lite Mounting Brkt. L.H.	55	45429	Coin Insert Casting	81	44400	Cam Bolt Return Spring
29	45509	Dome Glass	56	43798	Reject Button	82	45491	Cam Bolt
		(With Vinyl Chan. #45226)			Reject Button Spring	83	43631	592 Key
30	45512	Program Number Strip			Keeper	84	V-438	25 Watt Starter
31	44797	Program Holder Label			Reject Button Spring	85	44535	Retaining Washers for Bill Acceptor
					Keeper			Frame
					Keeper			Program Holder Frame

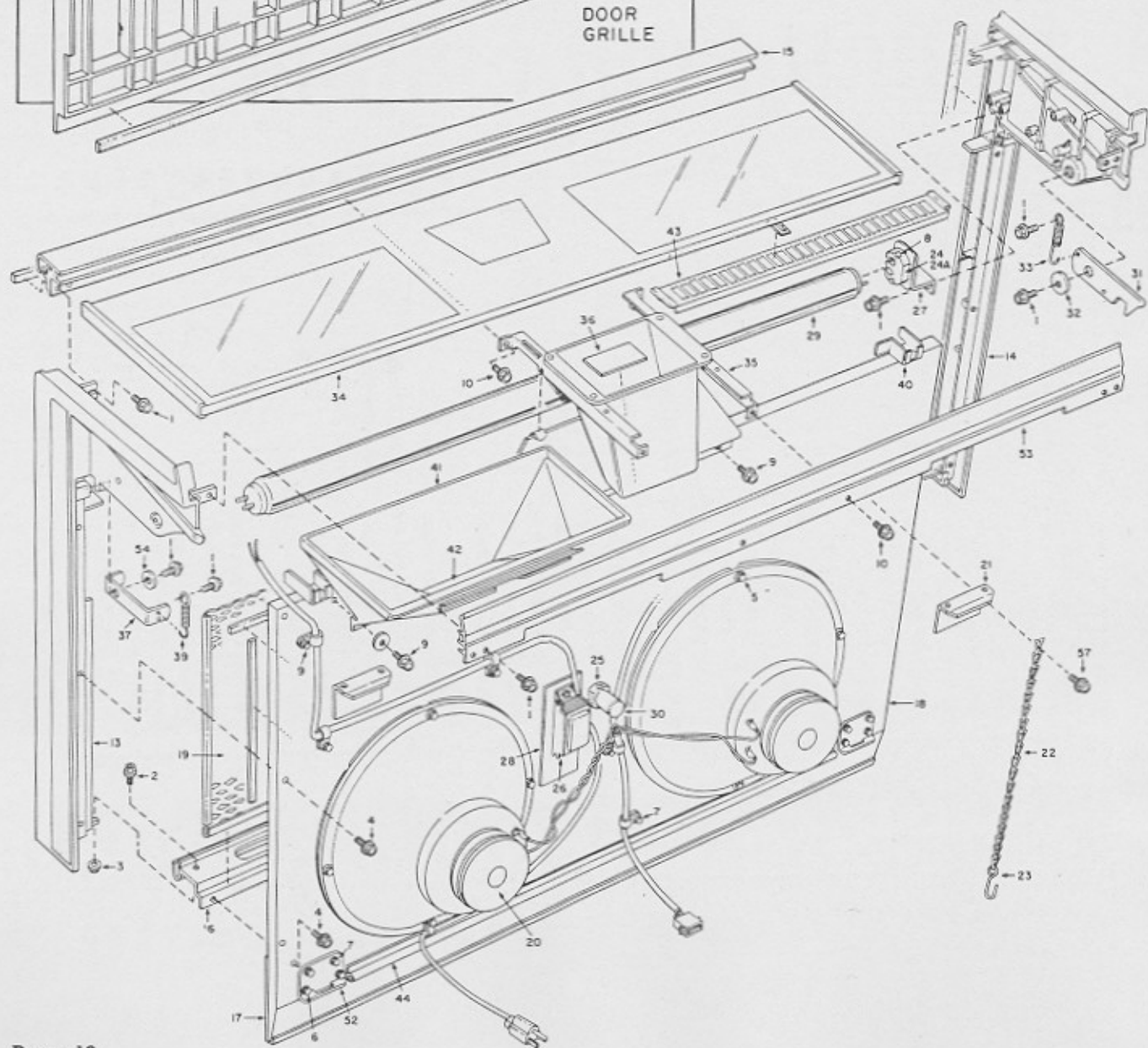
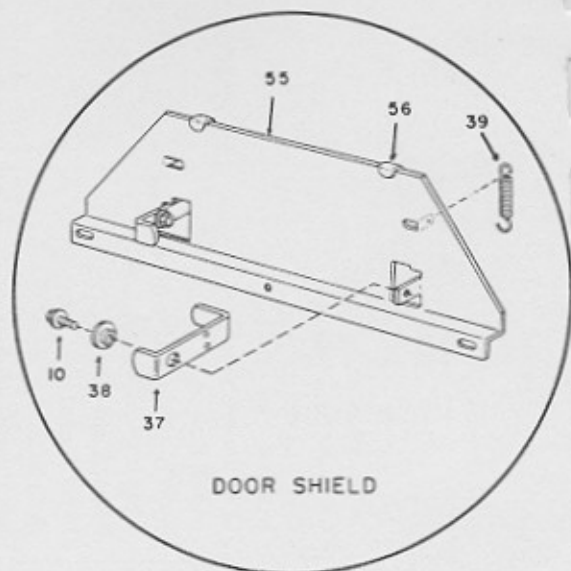
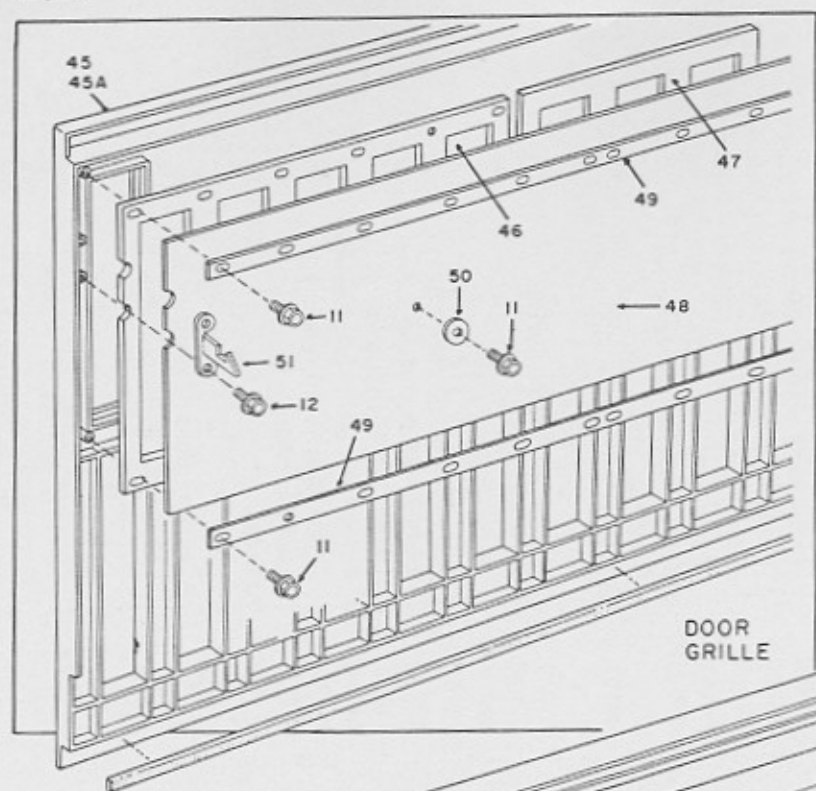




**DOME ASSEMBLY — 100 SELECTIONS**  
No. 46005-A

Item	Part No.	Description	Item	Part No.	Description
1	ST-8298	8x1/2 Hex Fig.	40	45484	Speaker Mounting Frame
2	ST-8271	8-32x1/2 Hex Fig.	41	46222	Speaker (Oval Tweeter)
3	ST-8296	8x3/8 Hex Fig.	42	45714	Light Blocking Plate
4	ST-8283	10-24x3/4 Hex Fig.	43	45456	Select & Coin Window
5	ST-8269-D	8-32x3/8 Hex Fig.	44	45429	Coin Insert Casting
6	ST-8281	#10-24x1/2 Hex Fig.	45	43798	Reject Button
7	ST-9712	8x5/8 Hex Fig.		43800-1	Reject Button Spring (Not Shown)
8	ST-9710	8x5/8 Hex Fig.		ST-9827	Keeper (Not Shown)
9	ST-9724	4-40 5/8 Phil Pan Head	46	45443	Select Light Housing
10	ST-8280	10-24x3/8 Hex Fig.		37625	Light Socket
11	ST-8268	8-32x5/16 Hex Fig.		ST-3046	Bulb #44
12	ST-8277	8-32x5/8 Hex Fig.	47	45510	Select Card — L.P.
13	45427	Spk. Side Cast. R.H. (With Felt Gasket #38314)	48	45450	Letter Window (A-K) (With Felt Gasket #38314)
14	45428	Spk. Side Cast. L.H. (With Felt Gasket #38314)	49	45452	Number Window (1-0) (With Felt Gasket #38314)
15	45469	Top Extrusion Speaker Box	50	45454	Reset Window—Dom. (With Felt Gasket #38314)
16	46048	Dome Top Extrusion	51	45552	Protection Cover L.H.
17	45667	Upper Grille Retaining Bracket (With Rubber Channel #41387)	52	46020-A	Push Button Switch Assembly (See Page 21)
18	45424	Dome Side Casting R.H.	53	46197	Dome Light Socket R.H.
19	45425	Dome Side Casting L.H.	54	46198	Dome Light Socket L.H.
20	45872-A	Hinge Riveting Assembly	55	45938	Fluorescent Starter Socket
21	46046	Keyplate Extrusion	56	V-10671	25 Watt Fluorescent Light
22	45470	Dome Center Extrusion	57	42817	25 Watt Ballast — 60 Cycle
23	46059-A	Keyplate Extrusion Lower Rivet Assembly	58	46051	Light Mounting Bracket R.H.
24	45875-A	Dome Stay Pivot Bracket Rivet Assembly	59	46052	Light Mounting Bracket L.H.
25	45509	Dome Glass (With Vinyl Channel #45226)	60	45489	Dome Lock Pivot Bracket R.H.
26	45511	Program Number Strips	61	46054-A	Dome Lock Shaft Weld Assembly
27	44793	Program Holder Label (100)	62	45490	Dome Lock Pivot Bracket L.H.
28	43430	Program Holder	63	45976	Lock Link Return Spring Keeper
29	45687	Pin Program Holder Hinge	64	ST-9827	Lock
30	ST-9398	Push Nut (Pin Retainer)	65	ST-7408-1	Lock
31	45507	Program Retainer Clip	66	44400	Cam Bolt Return Spring
32	45474	Program Holder Spring	67	45491	Cam Bolt
33	46162	Pricing Card 2/25¢	68	43631	592 Key
34	46152	Record Jacket Insert	69	V-438	25 Watt Starter
35	45485	Speaker Frame "Z" Channel	70	ST-2562	6/32x7/8 Hex Fig. Whiz Lock
36	45878-A	Speaker Grille Assembly (With Foam Cushion)	71	45559	Dome Stay
37	45506	Spacer	72	ST-4822	Spring Washer
38	ST-8715	6-32 Hex Whiz Lock Nut	73	ST-16	Keeper
39	ST-4835	Flat Washer	74	45439	Program Holder Frame



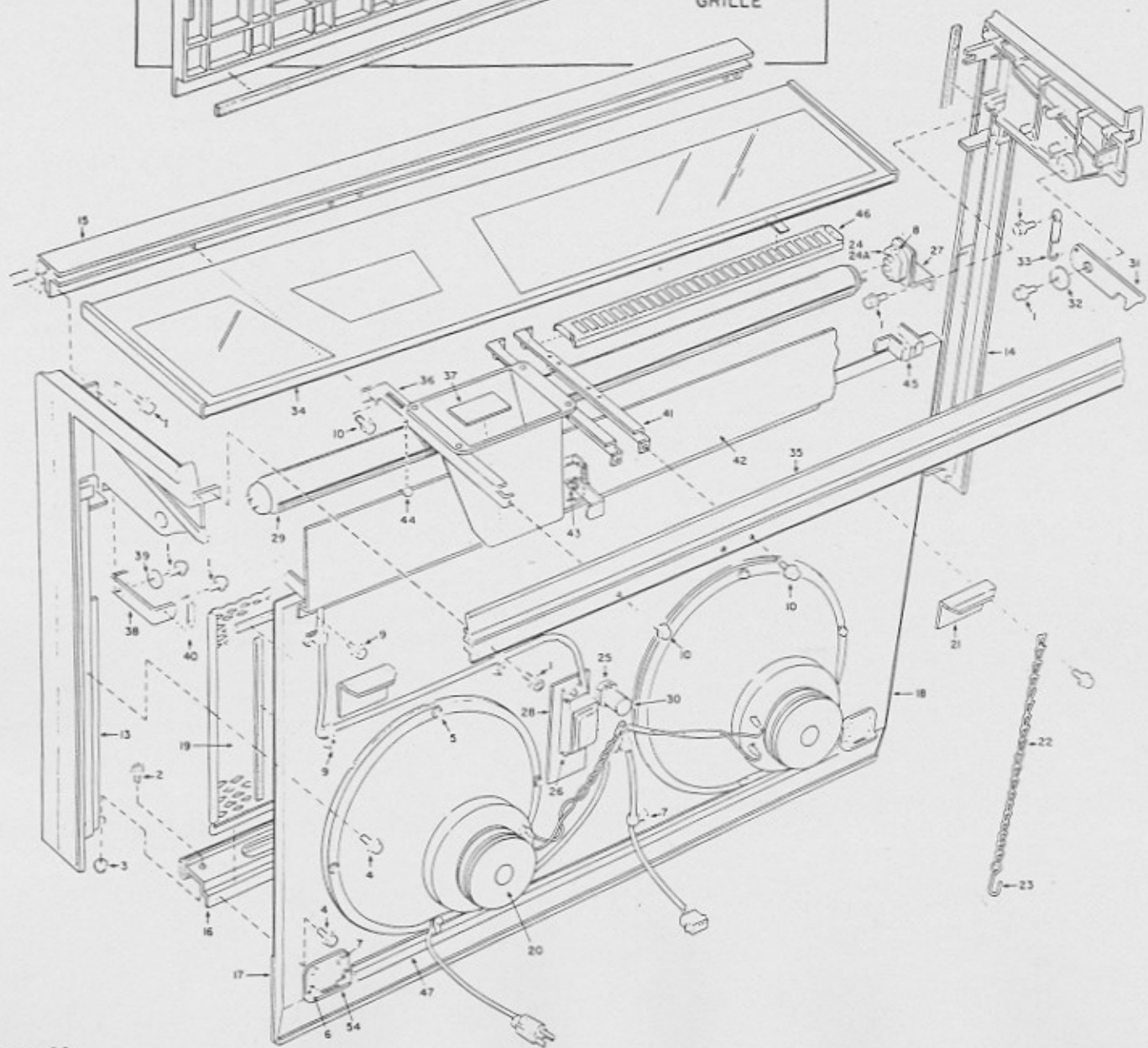
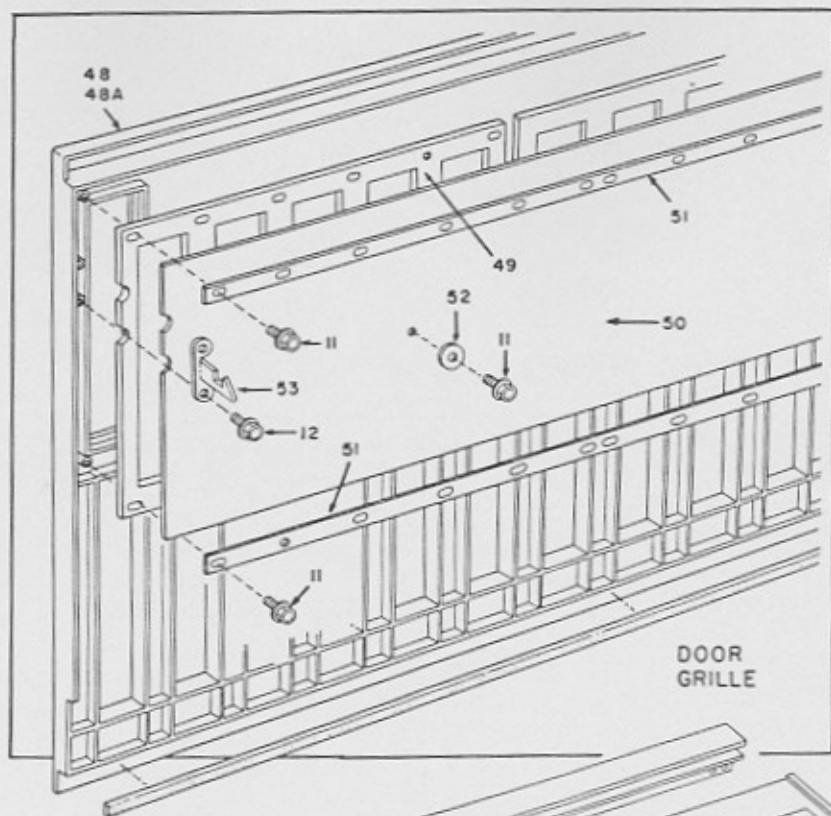




**FRONT DOOR ASSEMBLY — 160 SELECTIONS**  
**No. 45580-A**

Item	Part No.	Description	Item	Part No.	Description
1	ST-8270	8-32x7/16 Hex Flg. S.	30	V-438	25 Watt Starter
2	ST-2567	8-32x1/2 Hex Flg. W.L.	31	45681	Door Latch
3	ST-8721	8-32 Hex Flg. W.L. Nut	32	ST-3150	Flat Washer
4	ST-8274	8-32 7/8 Hex Flg. S.	33	34702	Spring
5	ST-8722	10-32 Hex Flg. W.L. Nut	34	45594	Door Glass (With Vinyl Channel #45226)
6	ST-2580	10-32x5/8 Hex Flg. W.L.	35	45944-A	Door Shroud Assembly
7	ST-9711	10x11/16 Hex Flg.	36	45691	Record Play Insert (Domestic)
8	ST-9724	4-40x5/8 Phil. P.H.	37	45883	Latch Bracket
9	ST-9710	8x5/8 Hex Flg.	38	45871	Bushing
10	ST-8268-D	8-32x5/16 Hex Flg. S.D.	39	35108	Spring
11	ST-8289	#6x3/8 Hex Flg.	40	45834	Latch Guard Bracket
12	ST-8298	#8x1/2 Hex Flg.	41	45436	Record Jacket Holder
13	45431	Door Frame Casting R.H.	42	45690	Record Jacket Insert
14	45432	Door Frame Casting L.H.	43	45437	Personalization Strip
15	45476	Door Front Extrusion			(With Foam Cushion #40001)
16	45477	Door Bottom Extrusion	44	40679	Door Bottom Gasket
17	45588	Door Bottom Trim	45	45942-A	Front Door Grille & Latch Assembly
18	45947-A	Door & Tee Nut Assembly	45A	45434	Front Door Grille Only
19	45595	Speaker Grille			(With Rubber Cushion #40365)
		(With Rubber Channel #41837)	46	45818	Grille Window
20	44854-1	Speaker 12"	47	45817	Grille Window
21	44067	Door Hold Down Brkt.	48	45596	Door Display
22	45974	Front Door Chain	49	46093	Door Display Retainer
23	19127	Hook (Chain)	50	ST-330	Flat Washer
24	45949	Door Light Socket R.H.	51	45458	Latch (Front Door Grille)
24A	45951	Door Light Socket L.H.	52	42134	Door Pivot Bracket
25	35117	Fluorescent Starter Socket	53	45475	Door Rear Extrusion
26	42817	25 Watt Ballast — 60 Cycle	54	ST-4870	Flat Washer
27	39861-1	Light Mounting Bracket	55	45497	Door Shield
28	43782	Ballast Insulator	56	ST-9845	Felt
29	V-10875	25 Watt Fluorescent Lamp	57	ST-2570	8-32x5/8 Hex Flg. Whiz Lock

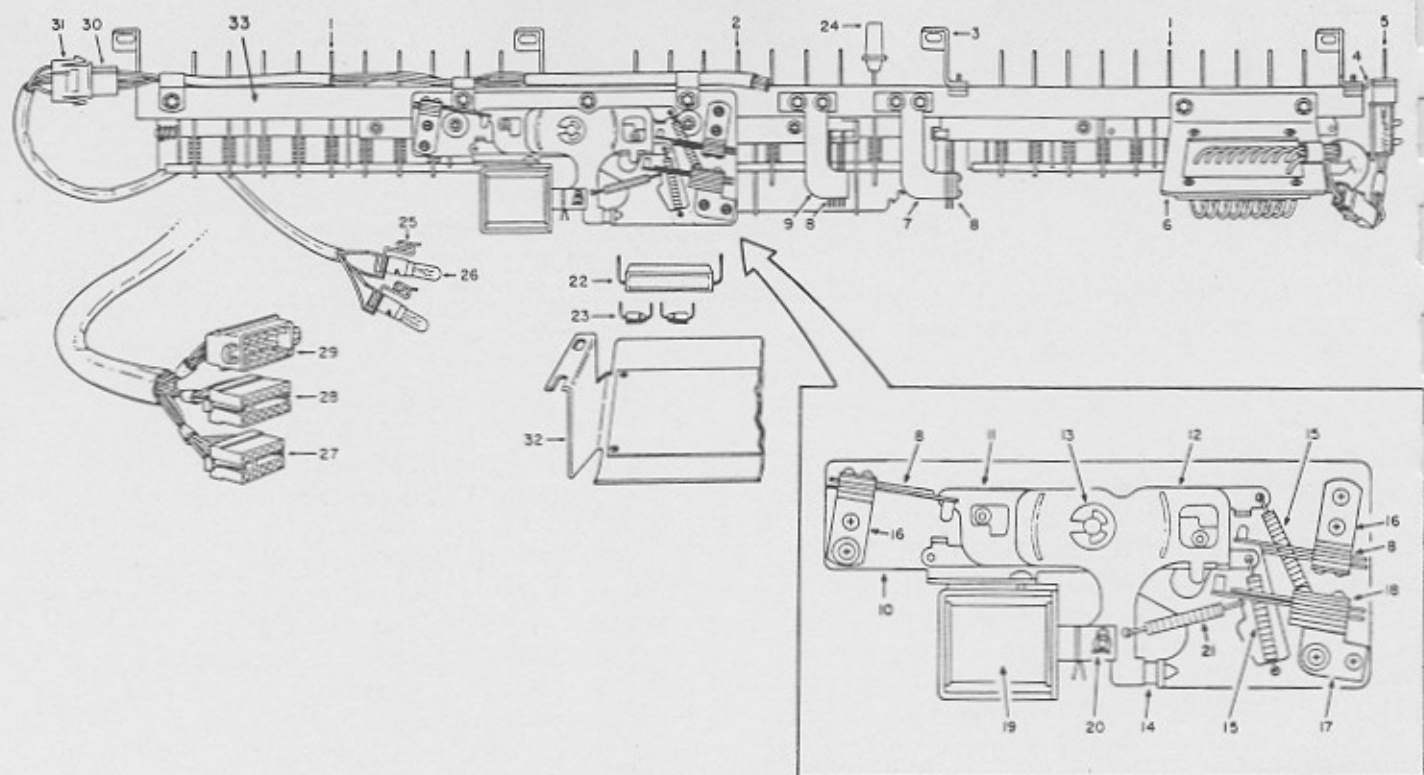






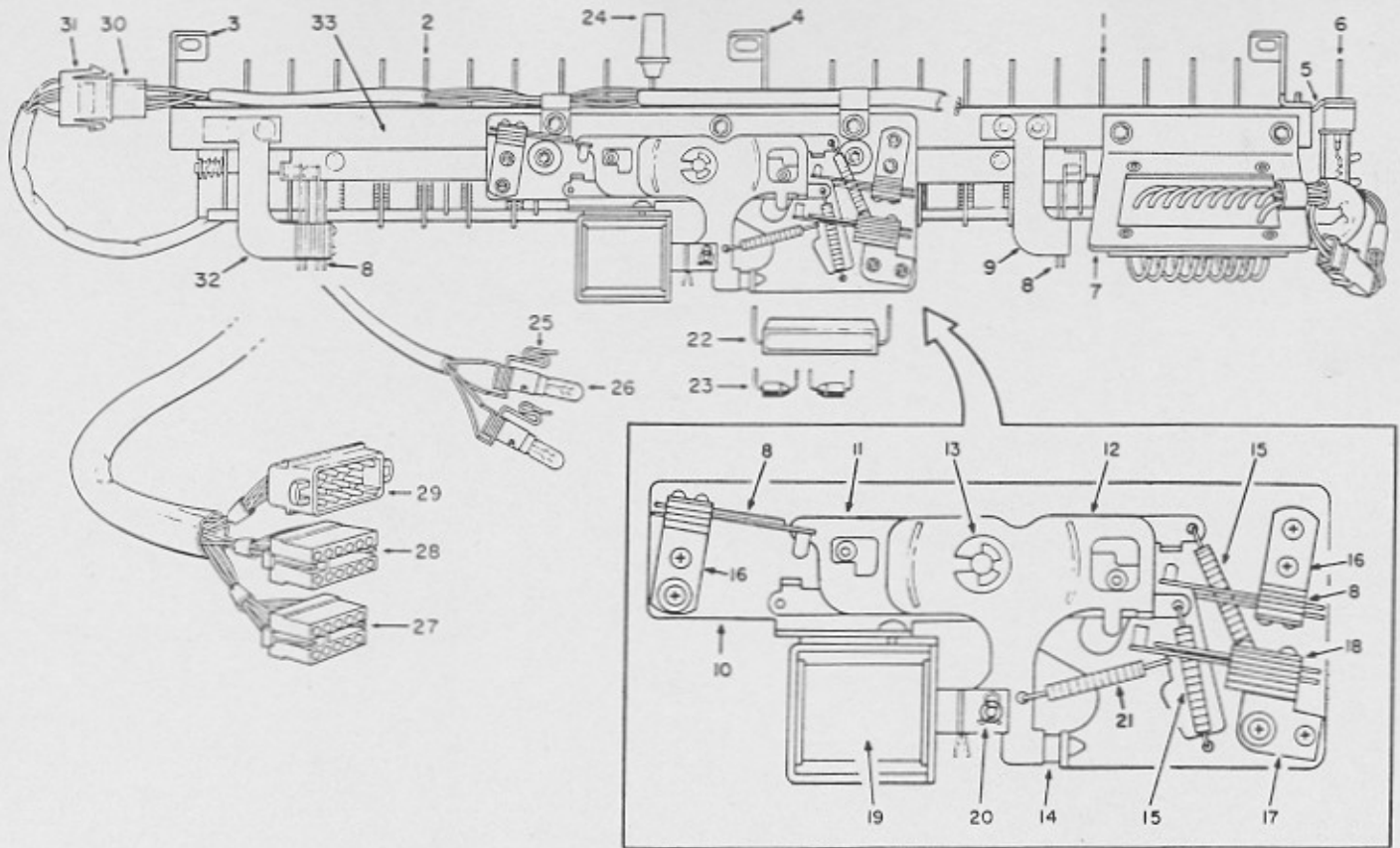
**FRONT DOOR ASSEMBLY — 100 SELECTIONS**  
**No. 45985-A**

Item	Part No.	Description	Item	Part No.	Description
1	ST-8270	8-32x7/16 Hex Flg. S.	28	43782	Ballast Insulator
2	ST-2569	8-32x1/2 Hex Flg. W.L.	29	V-10671	25 Watt Fluorescent Lamp
3	ST-8721	8-32 Hex Flg. W.L. Nut	30	V-438	25 Watt Starter
4	ST-8274	8-32x7/8 Hex Flg. S.	31	45681	Door Latch
5	ST-8722	10-32 Hex Flg. W.L. Nut	32	ST-3150	Flat Washer
6	ST-2580	10-32x5/8 Hex Flg. W.L.	33	34702	Spring
7	ST-9711	10x11/16 Hex Flg.	34	46039	Door Glass (With Vinyl Channel #45226)
8	ST-9724	4-40 5/8 P. Pan H.	35	46036	Door Rear Extrusion
9	ST-9710	8x5/8 Hex Flg.	36	46007-A	Door Shroud Assembly
10	ST-8268-D	8-32x5/16 Hex Flg.	37	45691	Record Play Insert (Domestic)
11	ST-8289	#6x3/8 Hex Flg.	38	45883	Latch Bracket
12	ST-8298	#8x1/2 Hex Flg.	39	ST-4870	Flat Washer
13	45431	Door Frame Casting R.H.	40	35108	Spring
14	45432	Door Frame Casting L.H.	41	45587-1	Shroud Mtg. Bracket L.H.
15	46033	Door Front Extrusion	42	46095-A	Door Shield Riveting Assembly
16	46034	Door Bottom Extrusion	43	45871	Bushing
17	46038	Door Bottom Trim	44	ST-9845	Felt
18	45989-A	Door & Tee Nut Assembly	45	45834	Latch Guard Bracket
19	46037	Speaker Grille (With Rubber Channel #41387)	46	45437	Personalization Strip (With Foam Cushion #40001)
20	45315-1	Speaker (12")	47	40679	Door Bottom Gasket
21	44067	Door Hold Down Bracket	48	46012-A	Front Door Grille & Latch Assembly
22	45974	Front Door Chain	48A	45433	Front Door Grille
23	19127	Hook	49	45818	Grille Window
24	46168	Door Light Socket R.H.	50	46041	Door Display
24A	46177	Cab. Light Socket L.H.	51	46119	Door Display Retainer
25	35117	Fluorescent Starter Socket	52	ST-330	Flat Washer
26	42817	25 Watt Ballast — 60 Cycle	53	45458	Latch
27	46042	Light Mounting Bracket	54	42134	Door Pivot Bracket



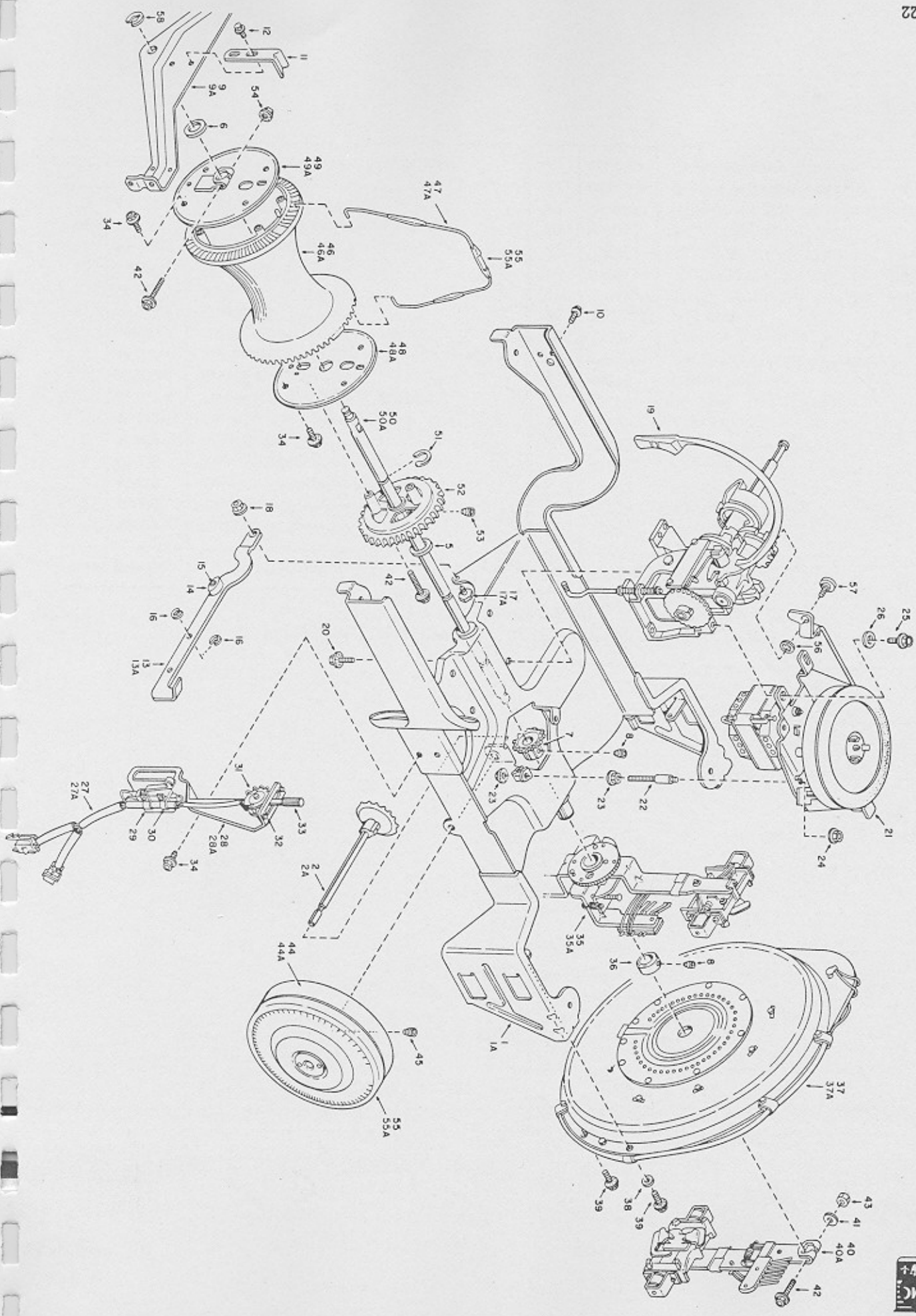
**PUSHBUTTON SWITCH ASSEMBLY—160 SELECTION**  
**No. 45735-A**

Item	Part No.	Description	Item	Part No.	Description
1	45809	Pushbutton Switch — Letters	18	45852	Lock Bar Switch
2	45810	Pushbutton Switch — Numbers	19	45705	Keyboard Plunger
3	45688	Key Switch Mtg. Brkt.		45706	Plunger
4	45498	Reset Switch Stop Brkt.		45707	Residual Spring
5	45847-A	Reset Switch Assembly	20	45517	Actuator Connecting Pin
6	45849-A	Terminal Brd. Brkt. Rivet Assem.	21	35108	Lock Bar Sol. Return Spring
7	45533-A	Brkt. & Switch Assem. — Letters	22	45854	15 Ohm 10 Watt Resistor
8	35359-1	Rocker Blade Switch	23	44875	Plastic Silicon Rectifier
9	45532-A	Brkt. & Switch Assem. — Numbers	24	45858-A	Key Switch Button Assem.
10	45850-A	Sol. & Switch Mtg. Plate Assem.	25	37625	Light Socket
11	35029-1	Locking Bar	26	ST-3046	#44 Bulb
12	45503	Actuator	27	V-7039	10 Cir. M-N-L Mtr. Mnt. Soc. Hsg. — Red
13	ST-9245	Truarc "E" Ring	28	V-7043	12 Cir. M-N-L Mtr. Mnt. Soc. Hsg. — White
14	ST-2320	Solenoid Bumper	29	V-8764	15 Cir. M-N-L Mtr. Mnt. Pin Hsg. — Green
15	35109	Rocker Bar Spring	30	V-7046	3 Cir. M-N-L Pin Hsg. — White
16	45671-A	Brkt. & Switch Assem. (Rocker Blade)	31	V-7047	3 Cir. M-N-L Soc. Hsg. — White
17	45853-A	Brkt. & Switch Assem. (Lockbar)	32	45977-A	Switch Shield Assembly
			33	45496	Keyswitch Mounting Plate



**PUSHBUTTON SWITCH ASSEMBLY – 100 SELECTIONS**  
**No. 46020-A**

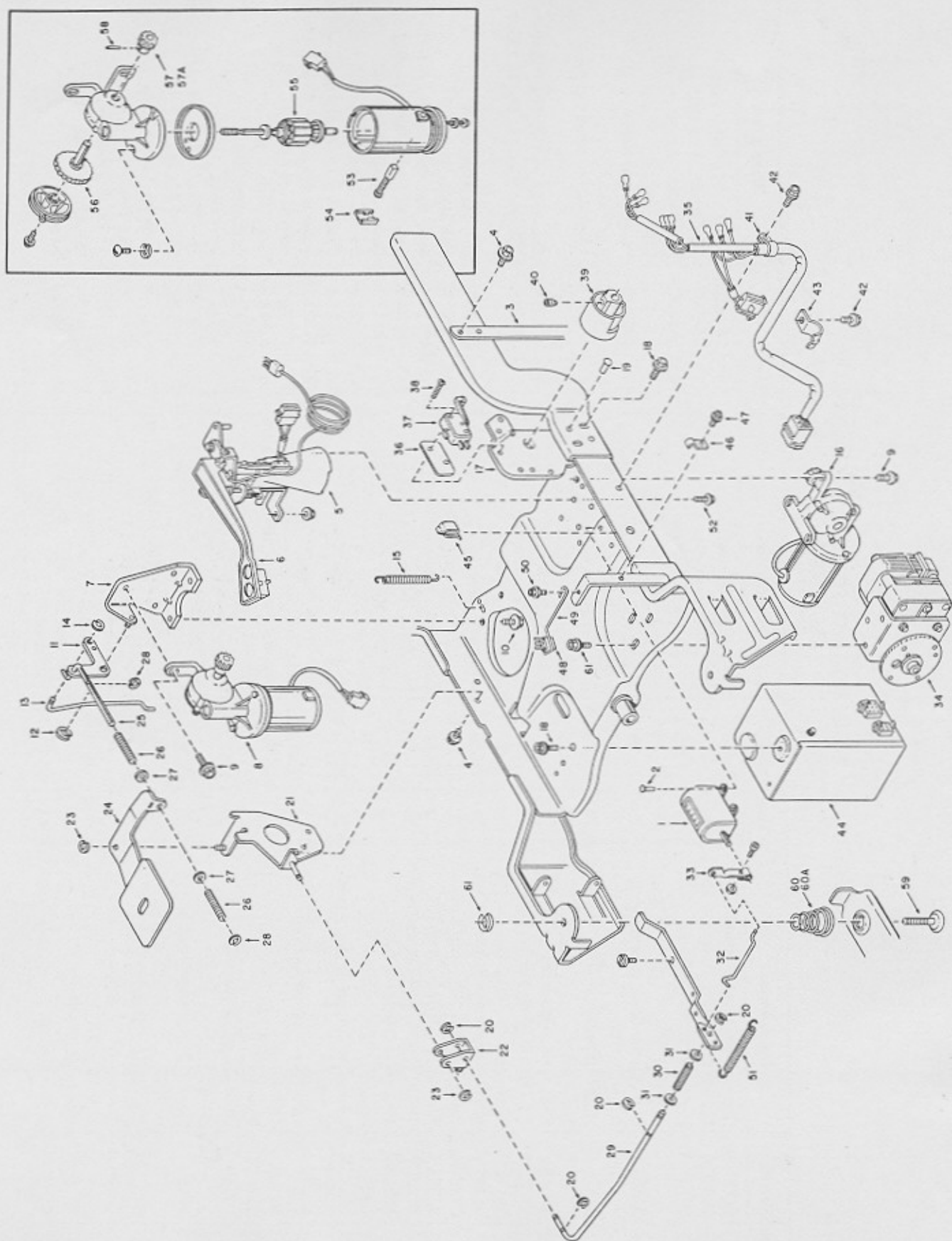
Item	Part No.	Description	Item	Part No.	Description
1	46098	Pushbutton Switch – Letters	18	45852	Lock Bar Switch
2	46099	Pushbutton Switch – Numbers	19	45705	Keyboard Solenoid
3	45689	Keyswitch Mounting Bracket		45706	Plunger
4	45688	Keyswitch Mounting Bracket-Std.		45707	Residual Spring
5	45498	Reset Switch Stop Bracket	20	45517	Actuator Connecting Pin
6	45847-A	Reset Switch Assembly	21	35108	Lockbar Solenoid Return Spring
7	46101-A	Terminal Brd. Brkt. Riv. Assembly	22	45854	15 Ohm 10 Watt Resistor
8	35359-1	Rocker Blade Switch	23	44875	Silicon Rectifier
9	46102-A	Bracket & Switch Assembly – Letters	24	45858-A	Keyswitch Button Assembly
10	45850-A	Sol. & Switch Mtg. Plate Assembly	25	37625	Light Socket
11	35029	Locking Bar	26	ST-3046	#44 Bulb
12	45503	Actuator	27	V-7039	10 Cir. M-N-L Mtr. Mnt. Soc. Housing - Red
13	ST-9245	Truarc "E" Ring	28	V-7043	12 Cir. M-N-L Mtr. Mnt. Soc. Housing - White
14	ST-2320	Solenoid Bumper	29	V-8764	15 Cir. M-N-L Mtr. Mnt. Pin Housing - Green
15	35109	Rocker Bar Spring	30	V-7046	3 Cir. M-N-L Pin Housing - White
16	45671-A	Brkt. & Switch Assembly (Rocker Blade)	31	V-7047	3 Cir. M-N-L Soc. Housing - White
17	45853-A	Brkt. & Switch Assembly (Lockbar)	32	46103-A	Bracket & Switch Assembly – Numbers
			33	46049	Keyswitch Mounting Plate



**MECHANISM ASSEMBLY—160 SELECTION No. 45590-A  
100 SELECTION No. 46010-A**

Item	Part No.	Description	Item	Part No.	Description	Item	Part No.	Description
1	43251-2A	Chassis Plate Rivet. Assem. — 160	22	39119	T-T Mounting Stud	42	ST-2586	10-32x1-1/2 Whiz Lock
1A	43246-A	Chassis Plate Rivet. Assem. — 100	23	ST-8723	1/4-20 Whiz Lock	43	ST-8717	10-32 Hex Whiz Lock Nut
2	39137-A	Pop Counter Shaft & Gear Assem. — 160	24	ST-8722	10-32 Whiz Lock Nut	44	38735-1A	Pop Counter Assem. — 160
2A	34662-1A	Pop Counter Shaft & Gear Assem. — 100	25	ST-2578	10-32x3/8 Fig. Whiz Lock	44A	36720-1A	(See Page 33) Pop Counter Assem. — 100
5	39178	Washer (Special) — 160	26	ST-4864	Flat Washer		(See Page 33)	
6	ST-4838	Flat Washer	27	41373-3A	Scan Switch Cable Assem. 160 Sel.	45	ST-2274	10-32x3/16 Allen Set Screw
7	39083	Bevel Gear — Main Shaft	27A	41866-2A	Scan Switch Cable Assem. 100 Sel.	MAGAZINE ASSEMBLY — 160 No. 43240-A MAGAZINE ASSEMBLY — 100 No. 43235-A		
8	ST-2253	10-32x1/4 Allen Hd. Set Screw	28	41376	Odd-Even Sw. Brkt. — 160			
9	39110-1	Mechanism End Mtg. Brkt. — 160	28A	41386	Odd-Even Sw. Brkt. — 100			
9A	34347-1	Mechanism End Mtg. Brkt. — 100	29	41377	Odd-Even Snap Switch			
10	ST-2566	8-32x1/4 Hex. Fig. Whiz Lock	30	45224	Cable Clamp			
11	34362-1	Rest Brkt. — Gripper Arm	31	30368	Service Scan Switch			
12	ST-2576	10-32x1/4 Hex Fig. Whiz Lock	32	ST-2555	6-32x1/4 Fig. Whiz Lock			
13	41369-A	Linkage — Gripper & Dog Assem. — 160	33	38711	Scan Switch Knob			
13A	34666-A	Linkage — Gripper & Dog Assem. — 100	34	ST-2578	10-32x 3/8 Fig. Whiz Lock			
14	34317	Odd-Even Alternating Dog	35	42326-A	Write-In Carriage Assem. — 160			
15	ST-9249	"E" Ring	35A	39215-1A	(See Page 36) Write-In Carriage Assem. — 100			
16	ST-9825	Keeper	36	39082	(See Page 37) Main Shaft Collar			
17	39259	Stud — Gripper Reversing Brkt. — 160	37	41380-3A	Selector Assem. — 160			
17A	34422	Stud — Gripper Reversing Brkt. — 100	37A	41870-3A	(See Page 26) Selector Assem. — 100			
18	ST-8722	10-32 Fig. Whiz Lock	38	ST-332	(See Page 26) Flat Washer			
19	45655-A	Gripper Housing Assem.	39	ST-2557	6-32x3/8 Fig. Whiz Lock			
20	ST-2588	1/4-20x3/8 Whiz Lock	40	41378-A	Read-Out Carriage 160			
21	45665-A	T-T Mtg. Plate Assem. (See Page 28)	40A	41567-A	(See Page 38) Read-Out Carriage 100			
			41	ST-399	(See Page 38) Flat Washer			
						46	43030	Hub Magazine — 160
						46A	43051	Hub Magazine — 100
						47	43222-A	Separator Wire Assem. — 160
						47A	43224-A	Separator Wire Assem. — 100
						48	43218-1	Cover — Mag. Wire — 160
						48A	43221-1	Cover — Mag. Wire — 100
						49	43226-A	Cover & Brkt. Weld Assem. 160 Sel.
						49A	43227-A	Cover & Brkt. Weld Assem. 100 Sel.
						50	43223	Main Shaft — 160
						50A	43216	Main Shaft — 100
						51	ST-9194	Retaining Ring
						52	43313	Drive Gear
						53	ST-3509	1/4-20x5/16 Hex Socket Set Screw
						54	ST-8722	10-32 Fig. Whiz Lock
						55	43225	Magazine Label — 160
						55A	43228	Magazine Label — 100
						56	ST-4862	Shakeproof Lock Washer
						57	35813	Drive Brkt. Screw
						58	ST-9827	Keeper

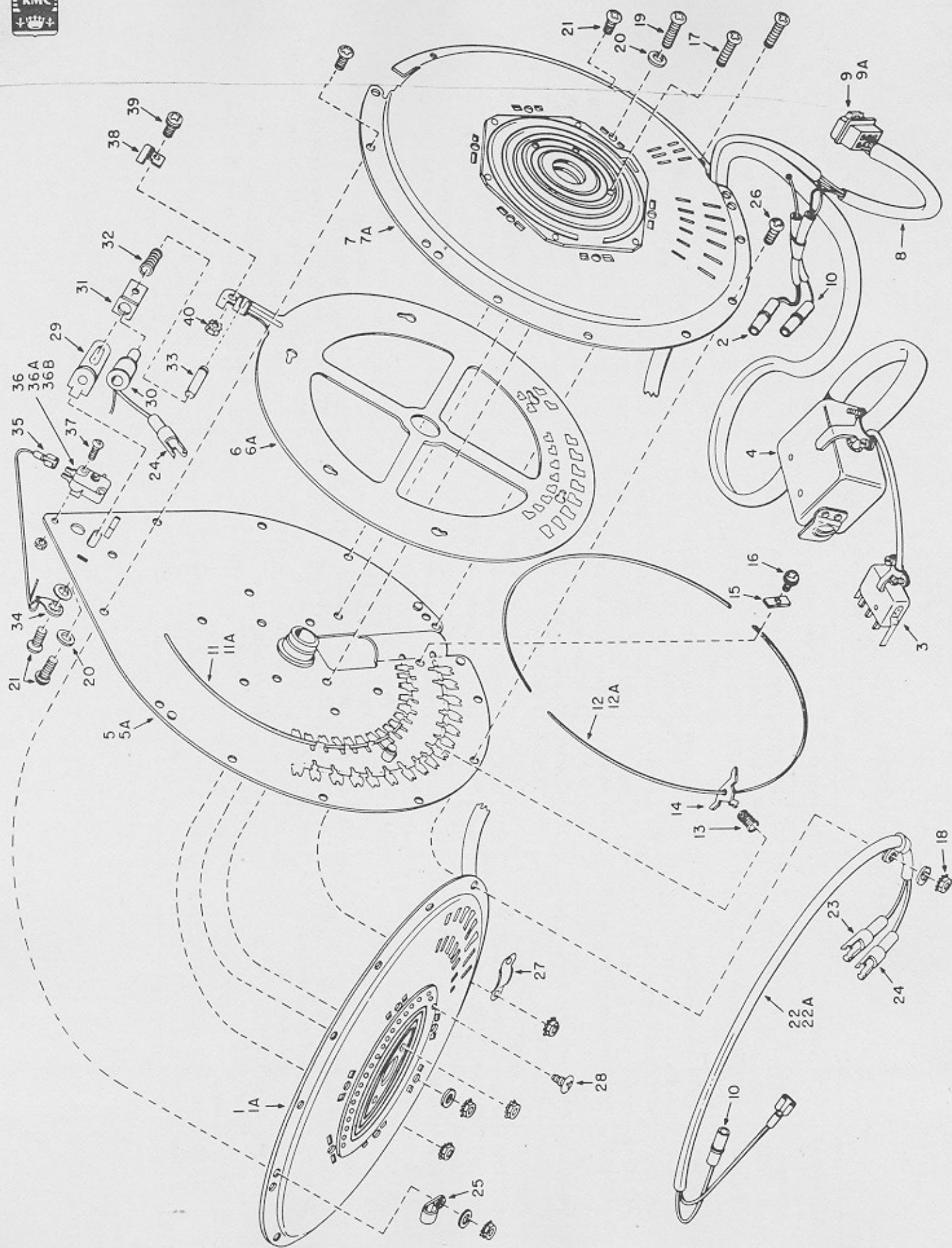




MECHANISM ASSEMBLY—160 SELECTION No. 45590-A—continued  
100 SELECTION No. 46010-A

Item	Part No.	Description	Item	Part No.	Description	Item	Part No.	Description
1	39248	Mechanical Counter	22	36728-1A	Rocker Arm & Pawl Rivet Assem.	43	11681	Jifty Wire Clip
2	ST-4946	Rivet	23	ST-9825	Keeper	44	40697-2A	Control Box Assembly
3	39120-3	Record Guard Steel Band 160 Sel.	24	44552-A	Pop Counter Slide Weld Assembly — 160	45	ST-1389	Tinnerman Clip
	34395-1	Record Guard Steel Band 100 Sel.		43908-A	Pop Counter Slide Weld Assembly — 100	46	17011	Wire Clip
4	ST-2566	8—32x1/4 Fig. Whiz Lock	25	39197	Push Rod — Pop Counter Slide—160	47	ST-2546	5—40x1/4 Fig. Whiz Lock
5	42332-1A	Tone Arm Base Assem.		36543	Push Rod — Pop Counter Slide—100	48	17008	Brush
6	44900-1A	Tone Arm Assem. Magnetic 160 (See Page 30)	26	34446	Spring — Play Indicator	49	40935	Brush Holder
	45106-1A	Tone Arm Assem. Ceramic 100 (See Page 30)	27	ST-332	Flat Washer	50	ST-8267	8—32x1/4 Hex Fig.
7	34671-A	Stud & Brkt Rivet Assem.	28	ST-9826	Keeper	51	39179	Rocker Arm Return Spring 160 Sel.
8	45715-A	Gripper Motor Complete	29	39117	Push Rod — Rocker Arm — 160	52	36115	Rocker Arm Return Spring 100 Sel.
9	ST-2589	1/4—20x1/2 Fig. Whiz Lock	30	40212	Push Rod — Rocker Arm — 100	53	ST-2569	8—32x1/2 Fig. Whiz Lock
10	ST-2588	1/4—20x3/8 Fig. Whiz Lock	31	34945	Spring — Rocker Arm — 100	54	45717	Motor Brush — Gripper &
11	34356-1	Bell Crank	32	ST-347	Flat Washer	55	45718	Motor Brush — Gripper &
12	ST-16	Keeper	33	39102	Spring Lever — Counter	56	45719	Magazine Motor
13	39116	Push Rod Bell Crank — 160	34	40180-2A	Write-In Motor — 160	57	34308	Nylon Gear & Shaft Gripper &
	34407	Push Rod Bell Crank — 100		40675-1A	Write-In Motor — 100	57A	34309	Magazine Motor
14	ST-9826	Keeper	35	43496-A	Micro Switch Cable Assem.	58	ST-530	Motor Gear — Gripper Moor
15	34466	Spring — Bell Crank	36	43494	Micro Switch Insulator	59	34728-1A	Spiral Pin
16	45720-A	Magazine Motor Complete	37	43414	SPDT Snap Switch	60	34405	Spring Bolt Assembly
17	43492	Micro Switch Mtg. Plate	38	ST-6551	#4—36x9/16 Phil. P.H.M.S.	60A	39680	Chassis Spring — 4 Black — 100 Sel.
18	ST-2578	10—32x3/8 Fig. Whiz Lock	39	43493	Micro Switch Cam			Chassis Spring — 2 Red (Selector Side) — 160
19	ST-512	#10x3/8 Drive Stud	40	ST-2253	10—32x1/4 Set Screw	61	ST-2576	10—32x1/4 Fig. Whiz Lock
20	ST-9826	Keeper	41	ST-3606	Nylon Clamp			
	39143-A	Slide Brkt. Assem. — 160	42	ST-2576	10—32x1/4 Fig. Whiz Lock 160 Sel.			
	39245-A	Slide Brkt. Assem. — 100		ST-2566	8—32x1/4 Fig. Whiz Lock — 100			

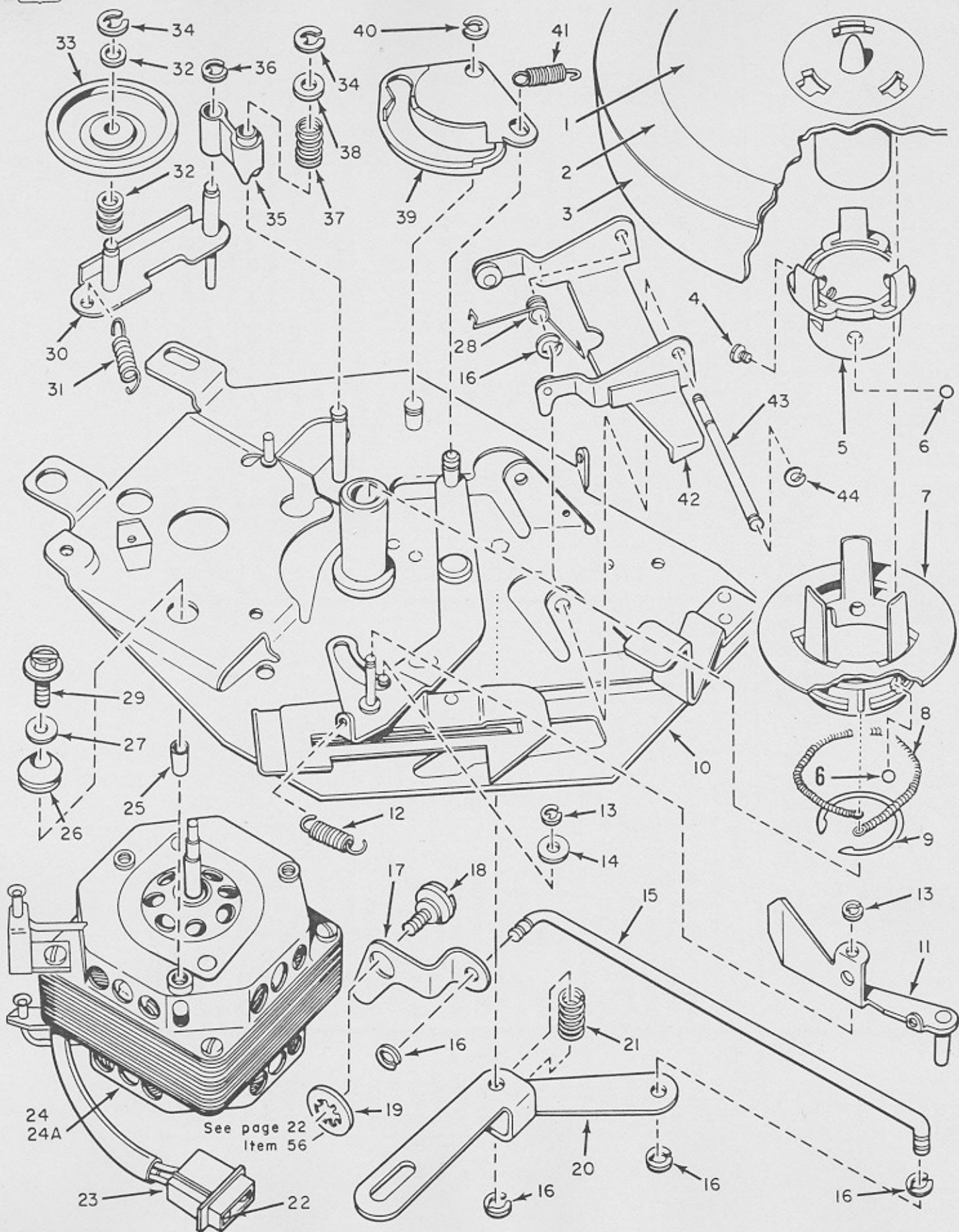




SELECTOR ASSEMBLY-160 SELECTION No. 41380-3A  
 SELECTOR ASSEMBLY-100 SELECTION No. 41870-3A

Item	Part No.	Description	Item	Part No.	Description
1	41470-2A	Selector Cover Write-In Wiring Assembly - 160 Selection	19	ST-2562	6-32x7/8 Slot Hex Flg. Whiz Lock Nut
1A	41871-2A	Selector Cover Write-In Wiring Assembly - 100 Selection	20	ST-332	Flat Washer
2	V-9838	1 Circuit M-N-L Socket Housing - Red	21	ST-2556	6-32x5/16 Hex Flg. Whiz Lock
3	14215	3 Prong Jones Plug & Shell - 160 only	22	42395-A	M-N-L Cable Assembly - 160
4	45026	21 Contact Jones Plug & Shell	22A	42311-A	M-N-L Cable Assembly - 100
5	41474-1A	Selector Center Assembly - 160	23	V-9839	1 Circuit M-N-L Pin Housing - Red
5A	41557-1A	Selector Center Assembly - 100	24	V-9839	1 Circuit M-N-L Pin Housing - White
6	41384-2	Wobble Plate - 160	25	ST-3605	Black Nylon Clamp - 1/4"
6A	41536-1	Wobble Plate - 100	26	ST-2559	6-32x1/2 Hex Flg. Whiz Lock
7	41480-1A	Selector Cover Read-Out Assembly - 160	27	39013	Selector Cable Clamp
7A	41554-1A	Selector Cover Read-Out Assembly - 100	28	ST-8216	#8x5/16 Phil. Truss H.S.
8	42394-A	6 Conductor Cable & Housing Assembly	29	39785-A	Sol. Coil Support Rivet. Assem. - 160 only
9	V-7004	6 Circuit M-N-L Pin Housing - Green	30	34556-1	Solenoid Coil
9A	V-7003	M-N-L Pin	31	34448	Solenoid Bracket
10	V-9838	1 Circuit M-N-L Socket Housing - White	32	34559	Return Spring
11	39015	Inside Key Shaft - 160	33	34449	Solenoid Armature
11A	34428	Outside Key Shaft - 100	34	ST-2620-1	#6 Shakeproof Terminal Lug
12	39016	Outside Key Shaft - 160	35	V-5111	Faston Receptical
12A	34429	Outside Key Shaft - 100	36	42397	Micro Switch
13	34437	Selector Lever Spring	36A	45389	Micro Switch Insulator (Not shown)
14	34334-1	Selector Key	36B	45395	Switch Hold Down Plate (Not shown)
15	34400	Key Shaft Keeper	37	ST-4591	4-36x5/8 Phil. P.H.M.S.
16	ST-6335	6-32x3/16 Phil. P.H.M.S.	38	42299	Switch Actuating Spring
17	ST-7238	6-32x3/4 Phil. Fillister H.M.S.	39	ST-6317	5-40 1/4 Phil. R.H.M.S. Sems Int.
18	ST-8720	6-32 Hex Flg. Whiz Lock Nut	40	ST-3457	5-40 Keps Nut





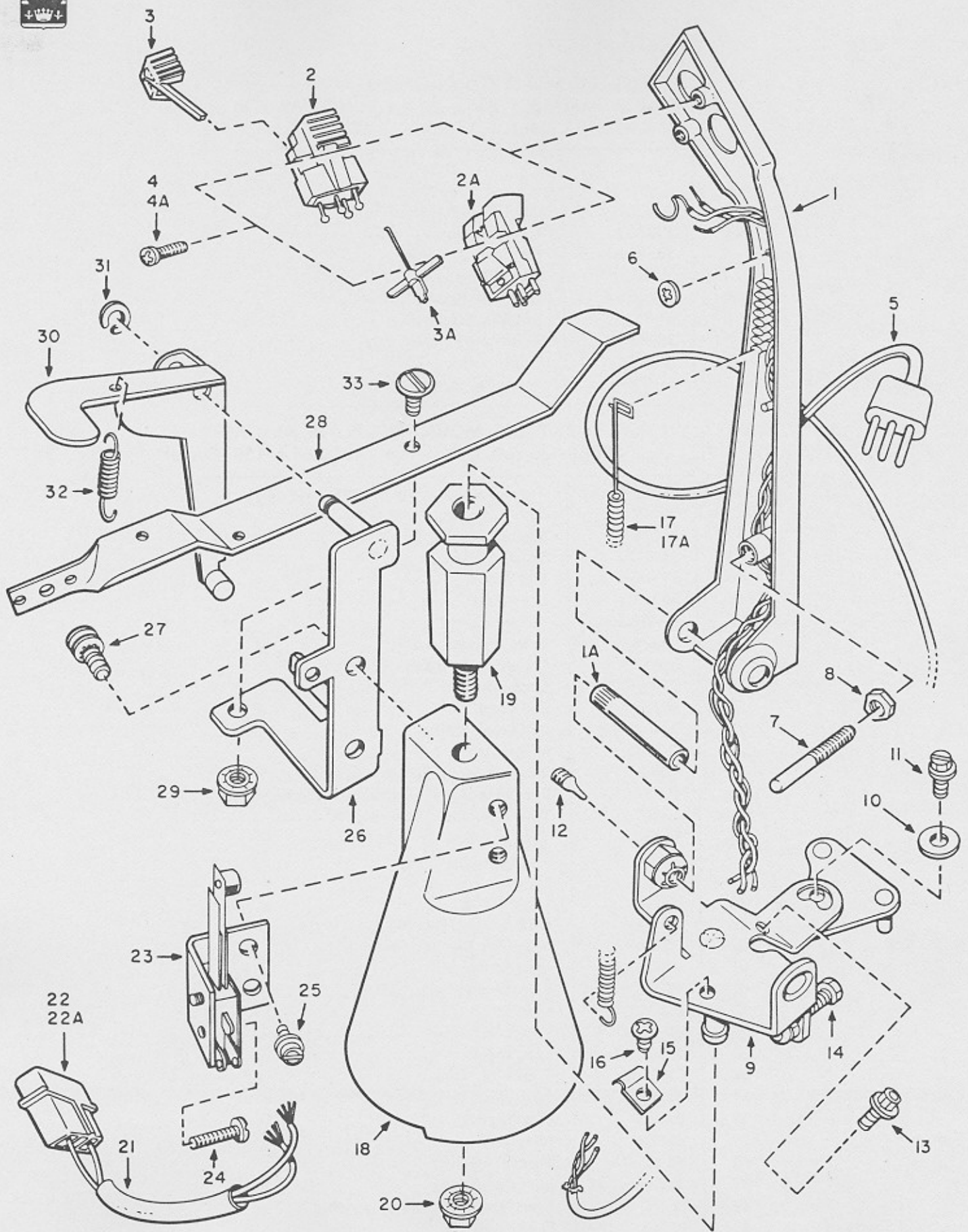


**160-100 SELECTION PHONOGRAPHS  
TURNTABLE ASSEMBLY 33 $\frac{1}{3}$ —45 R.P.M. (COMPLETE)  
No. 40155-6A**

Item	Part No.	Description
1		Cover Plate Not Used
2	35826	Turntable Ring
3	35770-5A	Turntable Assembly
4	35769	Sensor Stop Stud
5	35766	45 R.P.M. Record Hub
6	ST-1214	.156 Dia. Steel Ball
7	36153	Sensor and Pin Assembly
8	36452	Sensor Spring
9	ST-9264	Truarc "E" Ring

**33 $\frac{1}{3}$ —45 R.P.M. TURNTABLE MOUNTING PLATE ASSEMBLY  
(COMPLETE) No. 40089-1A (60 Cycle)—No. 40309-1A (50 Cycle)**

10	36304-1A	Turntable Mtg., Plate Riveting Assembly
11	36162-A	Sensor Riveting Assembly
12	35829	Sensor Lever Spring
13	ST-9123	Truarc "E" Ring
14	ST-4875	Flat Washer
15	36295	Drive Rod
16	ST-9825	Keeper
17	36294	Drive Bracket
18	35813	Drive Bracket Screw
19	ST-4862	Lockwasher
20	36293	Bell Crank
21	36403	Bell Crank Spring
22	V-7003	M-N-L Pin
23	V-9497	2 Circuit M-N-L Pin Housing — White
24	40091-2A	Turntable Motor Assembly (60 Cycle)
24A	40310-2A	Turntable Motor Assembly (50 Cycle)
25	18850	Turntable Spacer
26	18849	Turntable Grommet
27	ST-332	Washer
28	35819	Lifter Spring
29	ST-2560	6-32x5/8 Slot Hex Fig.
30	36166-A	Idler Link Riveting Assembly
31	35832	Idler Spring
32	36291	Fiber Washer
33	35831	Idler
34	ST-9266	Truarc "E" Ring
35	35830	Link Toggle
36	ST-9262	Truarc "E" Ring
37	35821	Idler Lifter Spring
38	35833	Cup Washer
39	35776	Idler Cam
40	ST-9263	Truarc "E" Ring
41	35828	Idler Cam Spring
42	36160-A	Lifter Bracket Riveting Assembly
43	35807	Pivot Stud
44	ST-9825	Keeper



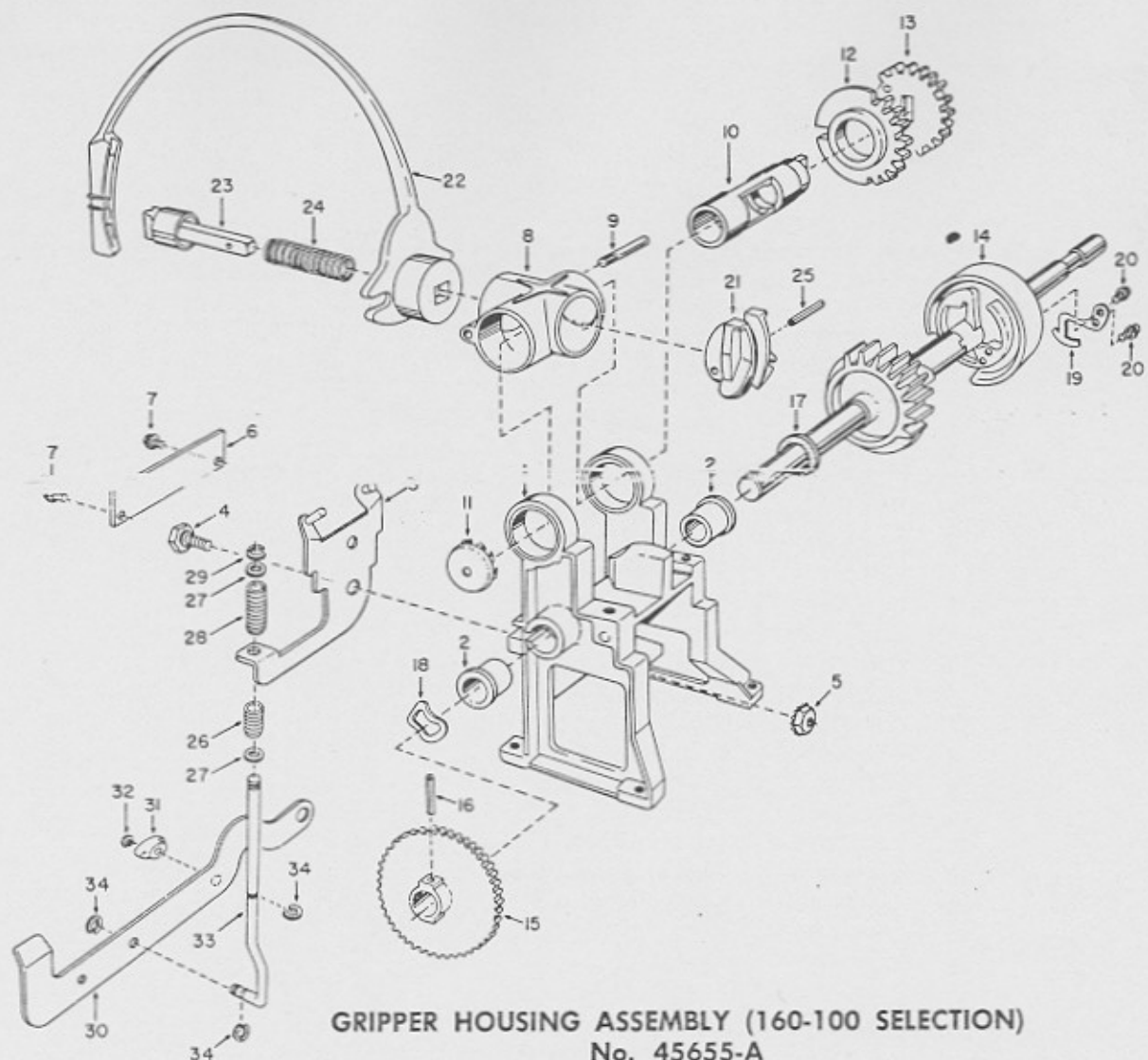


**TONE ARM ASSEMBLY—MAGNETIC 160 SELECTION No. 44900-1A**  
**TONE ARM ASSEMBLY—CERAMIC 100 SELECTION No. 45106-1A**

Item	Part No.	Description
1	41611-A	Tone Arm & Pivot Shaft Assembly
1A	41435	Tone Arm Pivot Shaft
2	43467	M44M-C Shure Pickup Cartridge (Special) 160 only
2A	35122	Astatic Pickup (Diamond) 100 only
3	43469	Stylus 160 only
3A	40676	Stylus 100 only
4	ST-6564	4—40x3/8 Phil. F.H.M.S. 160 only
4A	ST-4519	4—40x3/16 Phil. F.H.M.S. 100 only
5	46130-A	Dual Input Cable
6	ST-314	Shakeproof Lockwasher
7	41446	Tone Arm Rest Pin
8	ST-423	5—40 Hex Nut
9	41608-A	Pivot Bracket Riveting Assembly
10	ST-399	Flat Washer
11	ST-2576	10—32x1/4 Slot Hex Flg.
12	41433	Tone Arm Pivot Screw
13	ST-2547	5—40x3/8 Slot Hex Flg.
14	ST-2520	6—32x1/2 Hex Hd.
15	17011	Wire Clip
16	ST-4574	5—40x3/16 Phil. P.H.M.S.
17	42093	Tone Arm Spring 160 only
17A	41758	Tone Arm Spring 100 only

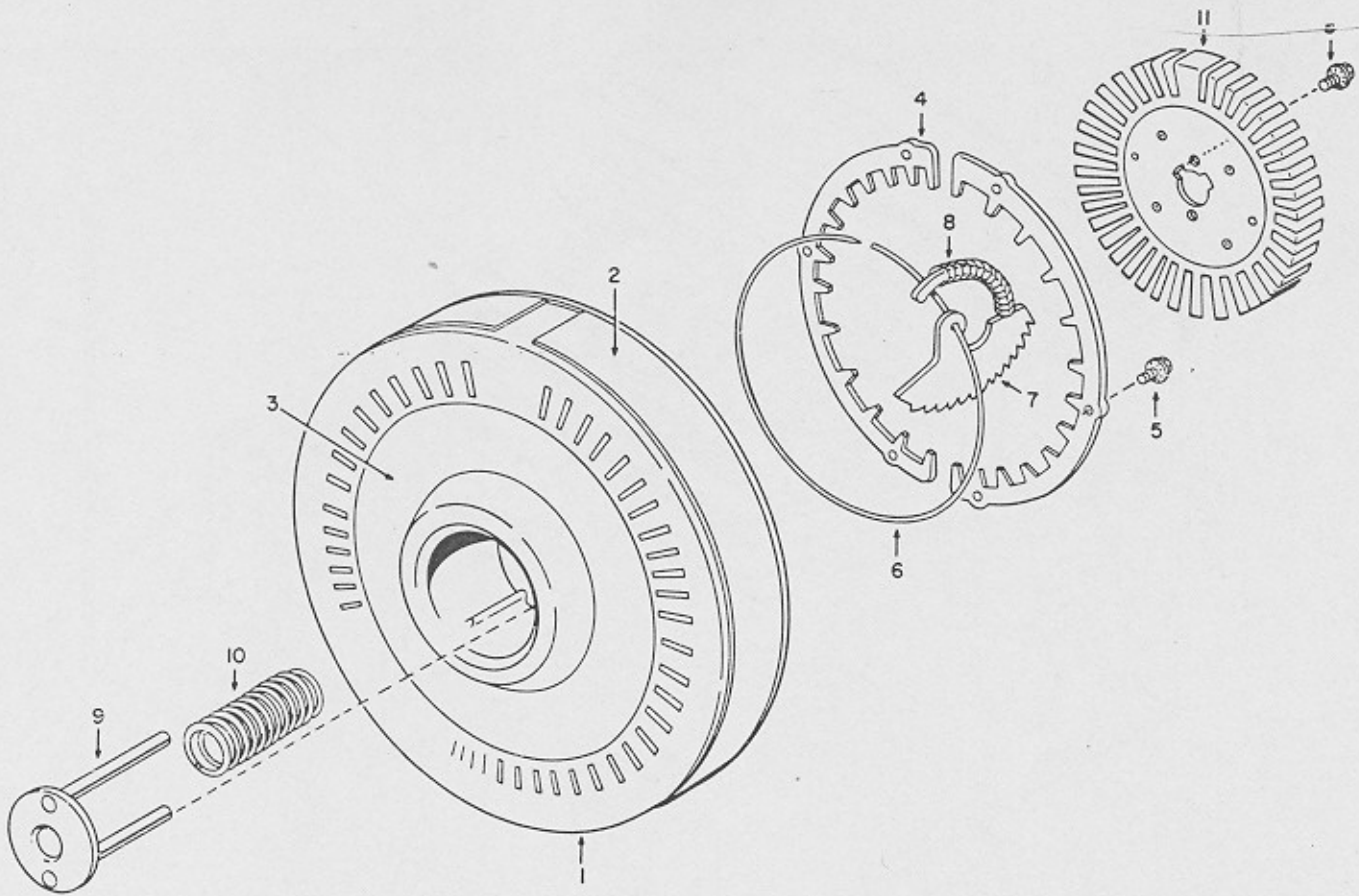
**TONE ARM BASE ASSEMBLY No. 42332-1A (160-100 SELECTION)**

18	41366	Tone Arm Base
19	41612-A	Pivot Bushing & Ball Assembly
20	ST-8717	10—32 Hex Whiz Lock Nut
21	41613-3A	Tone Arm Switch Wiring Assembly
22	V-7046	3 Circuit M-N-L Pin Housing — Red
22A	V-7003	M-N-L Pin
23	41649-1A	Tone Arm Switch & Bracket Assembly
24	ST-4568	5—40x5/8 Phil. P.H.M.S.
25	ST-2555	6—32x1/4 Slot Hex Flg.
26	41610-A	Support Bracket & Stud Assembly
27	ST-2566	8—32x1/4 Slot Hex Flg.
28	34391-1	Pawl Lever Pivot Arm
29	ST-8720	6—32 Flg. Whiz Lock Nut
30	41609-A	Lifter Lever & Cam Pin Assembly
31	ST-9825	Keeper
32	34444	Lifter Lever Spring
33	34427	Pawl Guide Stud



**GRIPPER HOUSING ASSEMBLY (160-100 SELECTION)  
No. 45655-A**

Item	Part No.	Description	Item	Part No.	Description
1	45421	Gripper Housing	19	17524	Tone Arm Cam Keeper Spring
2	45422	Gripper Housing Bearing	20	ST-2555	6-32x1/4 Hex Flg. Whiz Lock
3	34609-A	Brkt. Gripper Rev. Rivet Assem.	21	34323-6A	Cam-Gripper Reversing Assem.
4	34422	Stud-Gripper Rev. Brkt.	22	34322-5A	Gripper Arm Assembly
5	ST-8722	10-32 Flg. Whiz Lock Nut	23	34314-A	Inner Gripper Assembly
6	34371	Reversing Brkt. Ret. Strip	24	39775	Spring - Gripper
7	ST-2568	8-32x3/8 Hex Flg. Whiz Lock	25	ST-534	Spirol Pin - Medium Duty
8	34315-6	Gripper Spider	26	34864	Spring - Connecting Rod - Lower
9	34421	Gripper Stop Pin	27	ST-4853	Flat Washer
10	34399	Trunnion Shaft	28	34447	Spring - Connecting Rod - Upper
11	34877	Trunnion Shaft Button	29	ST-9825	Washer
12	34312-1	Gripper Turnover Gear	30	41369-A	Linkage - Gripper & Dog Assem. (160)
13	36308-1A	Gripper Release Gear Assem.		34666-A	Linkage - Gripper & Dog Assem. (100)
14	43359-1A	Gripper Shaft Assem.	31	34317	Odd-Even Alternating Dog
15	34310	Gripper Shaft Gear	32	ST-9249	"E" Ring
16	ST-519	Spirol Pin - Heavy Duty	33	39115	Connecting Rod - Gripper Linkage (160)
17	34399	Gripper Shaft Thrust Washer		34398	Connecting Rod - Gripper Linkage (100)
18	ST-4828	Spring Washer	34	ST-9825	Keeper



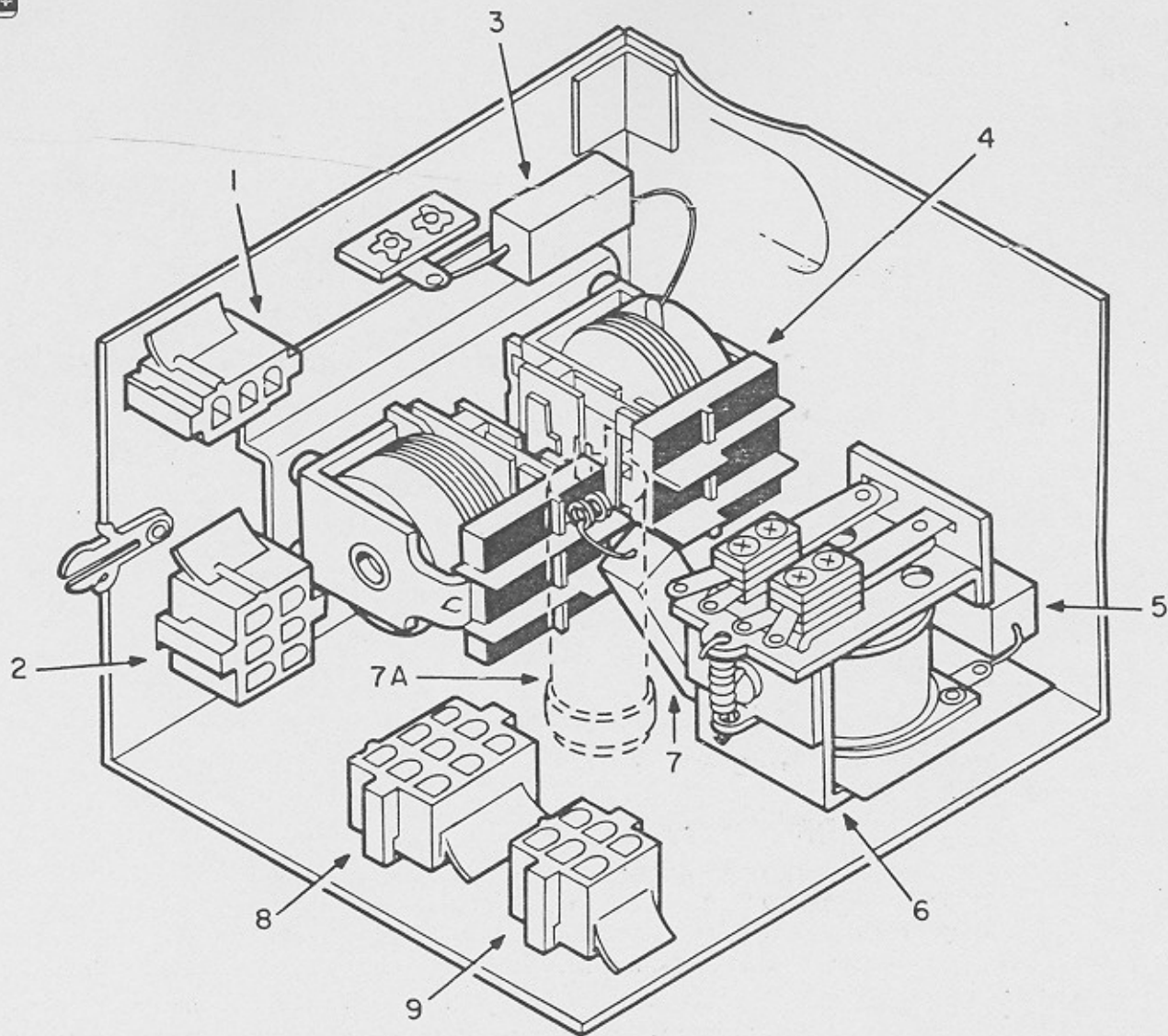
**POP COUNTER ASSEMBLY—160 SELECTION  
No. 38735-1A**

**POP COUNTER ASSEMBLY—100 SELECTION  
No. 36720-1A**

Item	Part No.	Description
1	38734-1A	Pop Counter Casting & Index Tab Assembly
2	39065-2	Pop Counter Index Tab
3	42650	Pop Counter Label
4	39066	Wire Retainer
5	ST-2546	5-40x1/4 Slot Hex Fig.
6	39067	Pop Counter Lock Wire
7	36521-1	Pop Counter Indicator
8	34443	Indicator Compression Spring
9	36717-A	Reset Button Assembly
10	38727	Reset Button Spring
11	39073-A	Reset Ring Riveting Assembly

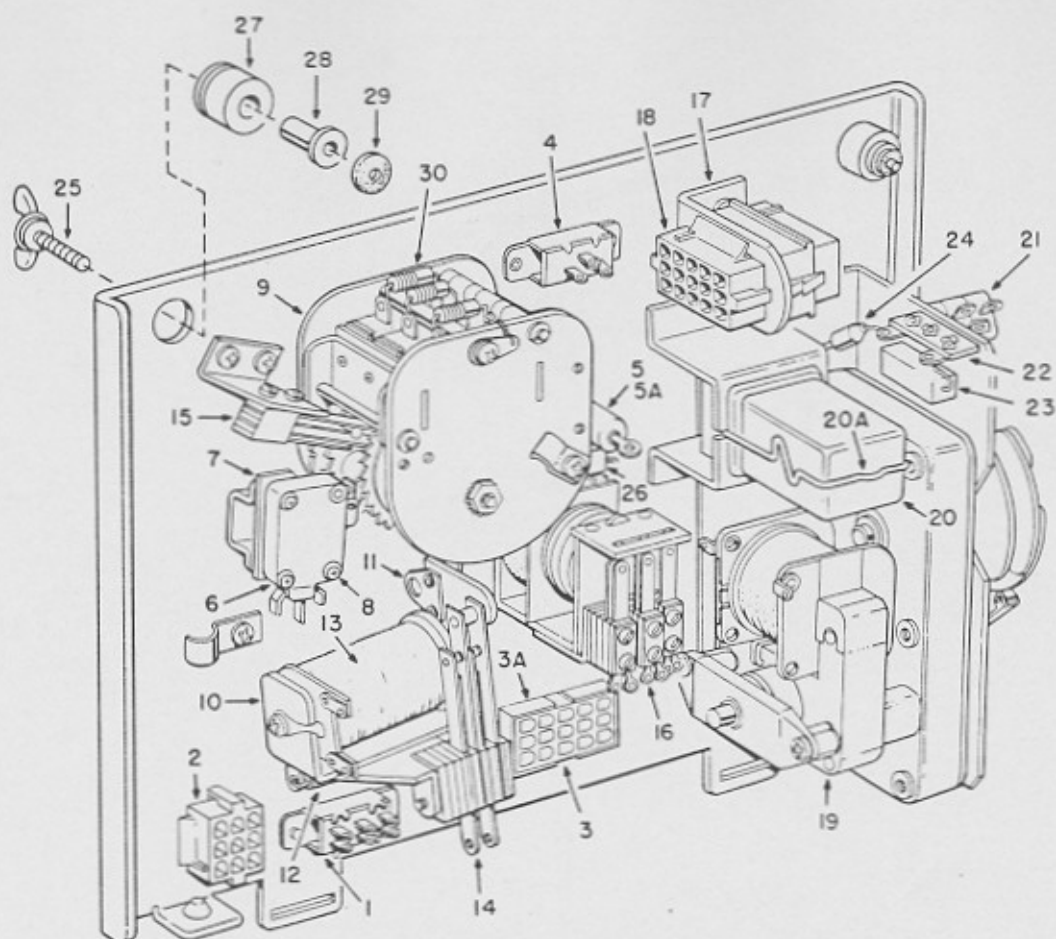
Item	Part No.	Description
1	36719-1A	Pop Counter Casting & Index Tab Assembly
2	36545-2	Pop Counter Index Tab
3	42033	Pop Counter Label
4	36532	Wire Retainer
5	ST-2546	5-40x1/4 Slot Hex. Fig.
6	36533	Pop Counter Lock Wire
7	36521-1	Pop Counter Indicator
8	34443	Indicator Compression Spring
9	36717-A	Reset Button Assembly
10	38727	Reset Button Spring
11	36716-A	Reset Ring Riveting Assembly





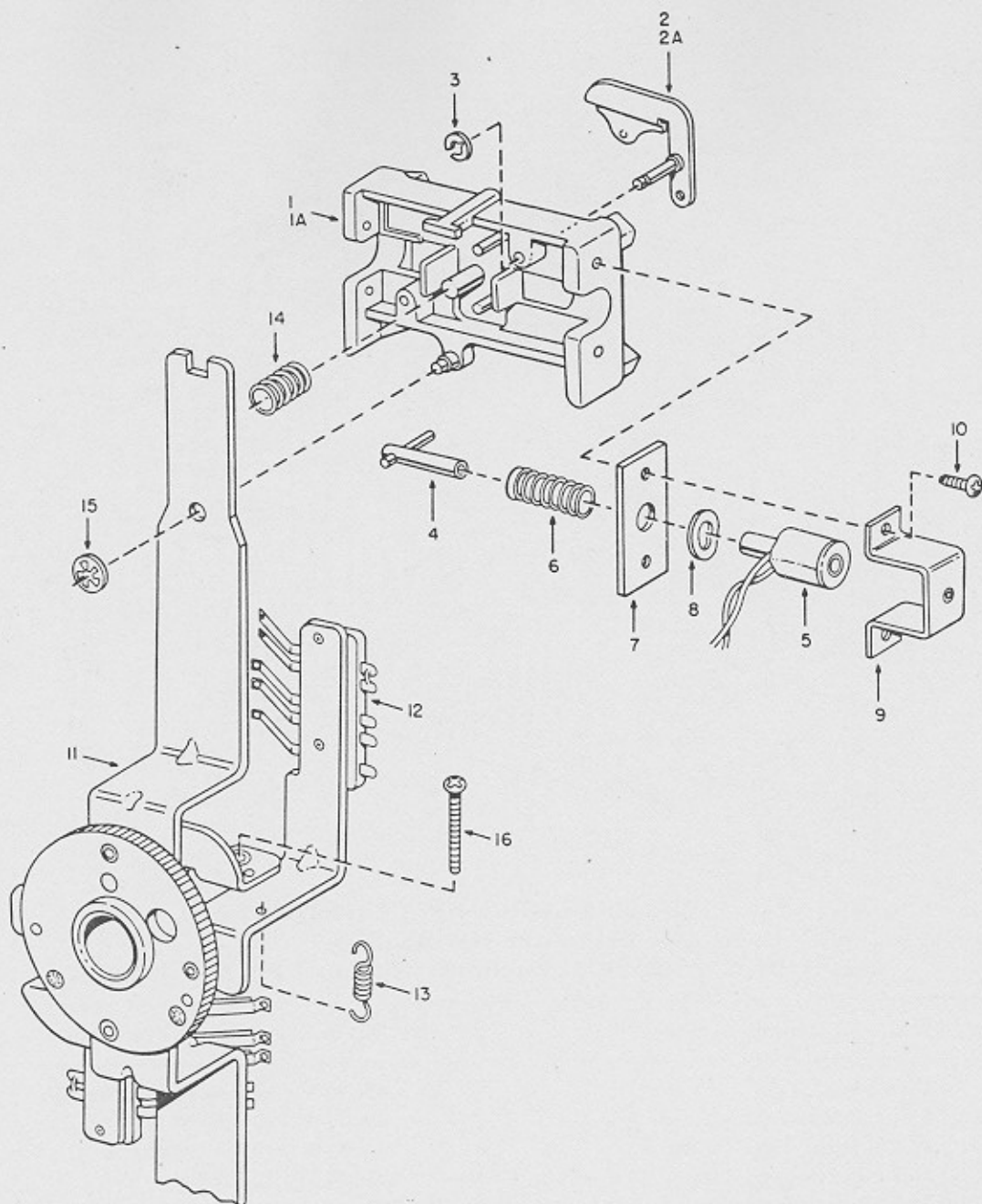
**CONTROL BOX ASSEMBLY (160-100 SELECTION)  
No. 40697-2A**

Item	Part No.	Description
1	V-7047	3 Circuit M-N-L Socket Housing – White
2	V-7005	6 Circuit M-N-L Socket Housing – Red
3	36454	60 Ohm 5 Watt Resistor
4	36453-1	Interlock Relay
5	34871	680 Ohm 5 Watt Resistor
6	35114	Gripper Reverse Relay
7	39696	15 Ohm 5 Watt Resistor or
7A	44009	Standee Resistor 15 Ohm 10 Watt
8	V-7013	9 Circuit M-N-L Socket Housing – White
9	V-7005	6 Circuit M-N-L Socket Housing – White



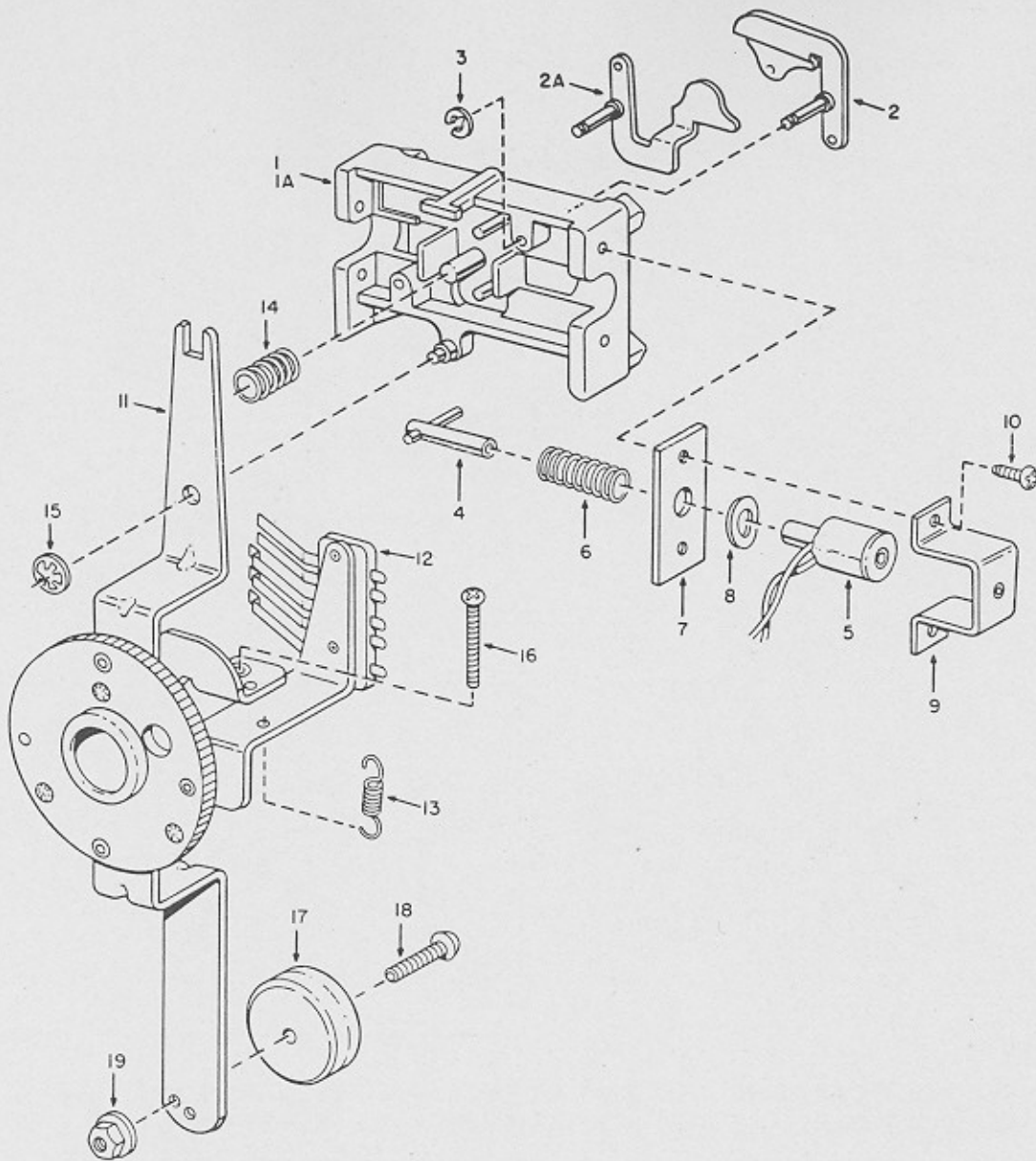
**160-100 SELECTION PHONOGRAPHS**  
**CREDIT UNIT ASSEMBLY—L.P. No. 45675-A**  
**CREDIT UNIT ASSEMBLY—Standard (Without L.P.) No. 45680-A**

Item	Part No.	Description	Item	Part No.	Description
1	40510	Slide Switch	19	45656-A	Album Motor Assembly
2	V-7013	9 Circuit M-N-L Socket — Red		43403-A	Check-Off Motor & Cam Assem.
3	V-8764	15 Cir. M-N-L Pin — White		43402-A	Check-Off Cam & Hub Assem.
3A	43771	M-N-L Pin Housing Clip		39648	Check-Off Motor
4	43932	Slide Switch (Spring Return)		ST-531	Spirol Pin (Not Shown)
5	44786	Fuse Holder	20	45305	Relay 4 P.D.T-24V.A.C.
	44787	Knob Assembly	20A	42303	Relay Hold Down Spring
5A	St-4330	1/4 Amp Slo Blo Fuse	21	V-10989	Switch
6	39611	Album Play Switch	22	39705	3 Lug Terminal Strip
7	40811	Shim	23	39706	39 Ohm 3 Watt Resistor
8	ST-6526	2-56x7/16 P.H.M.S.	24	44875	600 PRV Silicon Rectifier
9	39655-2A	Accumulator Assem. (See Page 39)	25	ST-3952	10-32x3/4 Wing Hd. Screw
10	30422-A	Reset Mechanism Assembly	26	30574	820 Ohm 5 Watt Resistor
11	34229-A	Reset Armature & Rivet Assem.	27	44517	Mounting Grommet
12	19216	Tension Spring	28	44518	Grommet Spacer
13	14030	Rest Coil	29	ST-9439	Fibre Washer
14	34719	Selection Impulse Switch	30	15686	470 Ohm 1/2 Watt Resistor
15	34000-1A	Control Switch & Brkt.			
16	35138	Attract Delay Relay			
17	43791	15 M-N-L Bracket			
18	V-8760	15 Cir. M-N-L Soc. — White			



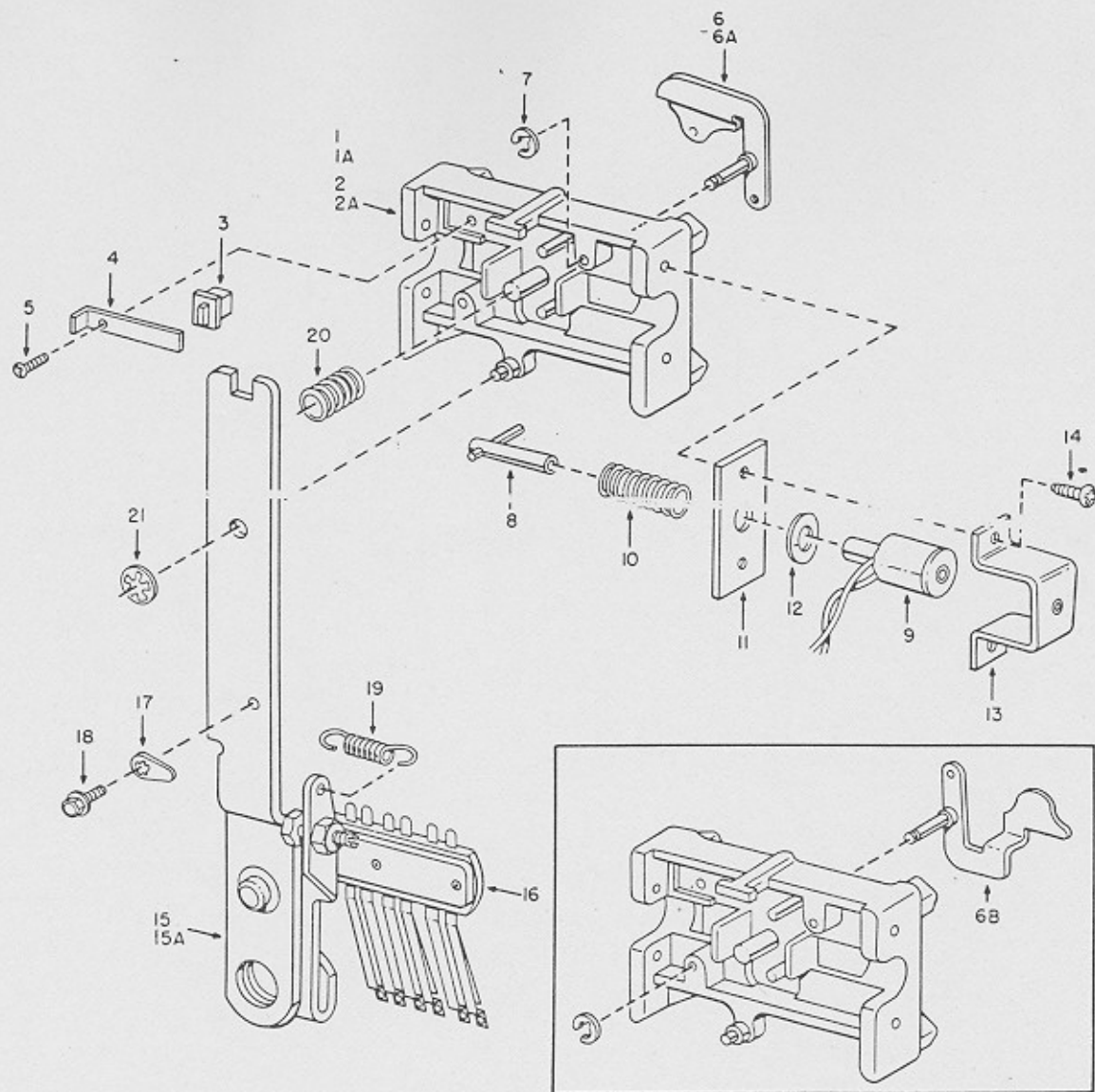
**WRITE-IN CARRIAGE AND ARM ASSEMBLY—160 SELECTION**  
**No. 42326-A**

Item	Part No.	Description	Item	Part No.	Description
1	39252-A	Carriage Assembly	8	ST-4856	Spring Washer
1A	39020	Carriage Housing	9	34626-A	Coil Housing Brkt. Assem.
2	34624-A	Outside Key Lever & Pin Assembly	10	ST-8210	6-32x7/16 Phil. B.H. Self Tap
2A	34623-1A	Inside Key Lever & Pin Assembly	11	42331-A	Write-In Arm Rivet Assembly
3	ST-9825	Keeper	12	39005	Write-In Wiper
4	34622-A	Coil Armature & Pin Assembly	13	37672	Page Spring
5	34557-1	Carriage Coil	14	34473	Carriage Pressure Spring
6	34472	Armature Return Spring	15	ST-9247	Truarc Self Locking Ring
7	34386	Coil Pad	16	ST-4560	10-32x1-1/4 Phil. P.H.M.S.



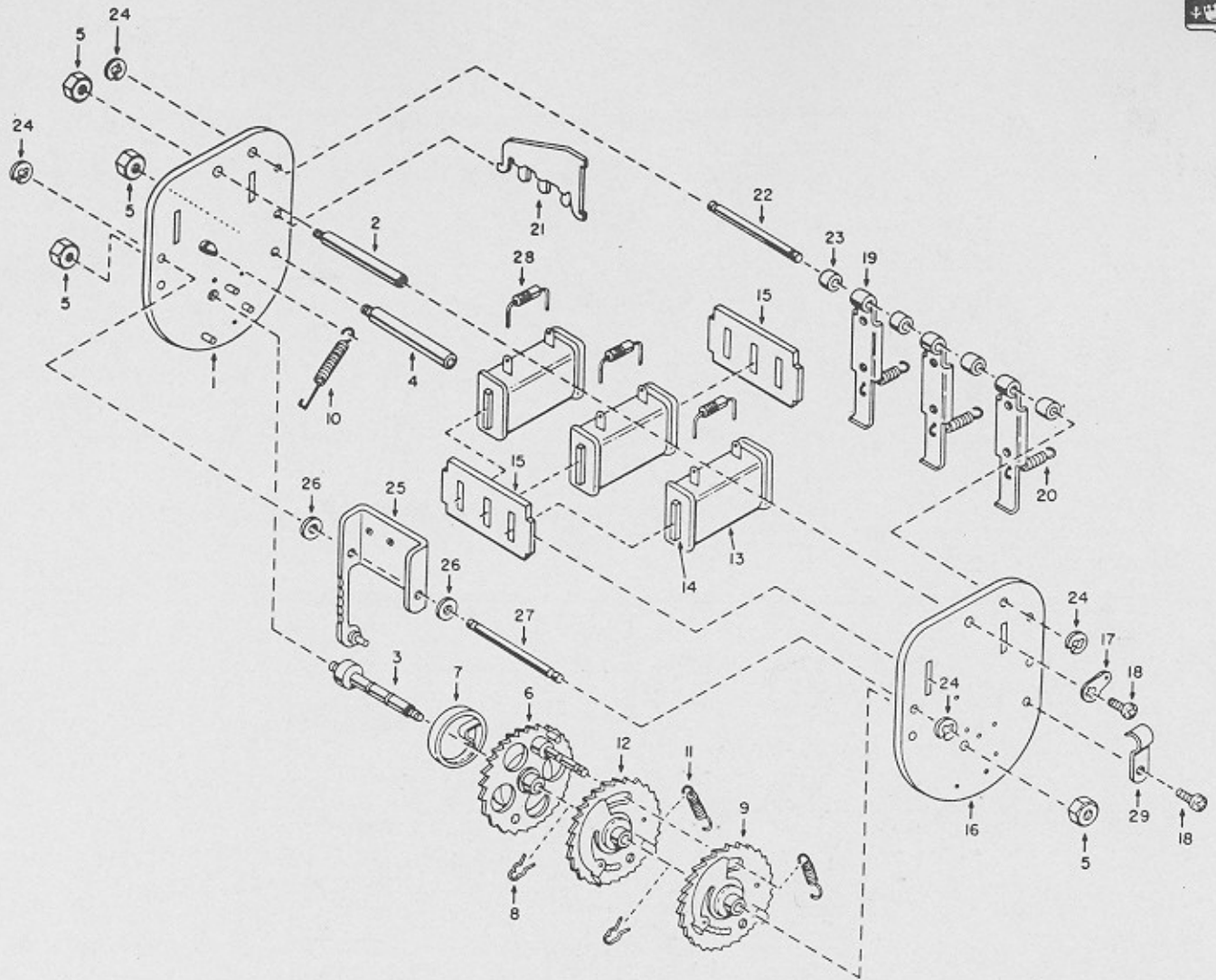
**WRITE-IN CARRIAGE AND ARM ASSEMBLY—100 SELECTION**  
**No. 39215-1A**

Item	Part No.	Description	Item	Part No.	Description
1	34925-2A	Carriage Assembly	10	ST-8210	6-32x7/16 Phil. B.H. Self Tap
1A	34364-1	Carriage Housing	11	42321-A	Write-In Riveting Assembly
2	34624-A	Outside Lever & Pin Assembly	12	34392	Write-In Wiper
2A	34623-2A	Inside Lever & Pin Assembly	13	37672	Page Spring
3	ST-9825	Keeper	14	34917	Carriage Pressure Spring
4	34622-A	Coil Armature & Pin Assem.	15	ST-9247	Truarc Self Locking Ring
5	34557-1	Carriage Coil	16	ST-4560	10-32x1-1/4 Phil. R.H.M.S.
6	34472	Armature Return Spring	17	34779	Counter Balance Weight
7	34386	Coil Pad	18	ST-6573	10-32x7/8 Phil. R.H.M.S.
8	ST-4856	Spring Washer	19	ST-8722	10-32 Hex Whiz Lock Nut
9	34626-A	Coil Housing Brkt. Assem.			



**READ-OUT CARRIAGE AND ARM ASSEMBLY—160 SELECTION No. 41378-A**  
**READ-OUT CARRIAGE AND ARM ASSEMBLY—100 SELECTION No. 41567-A**

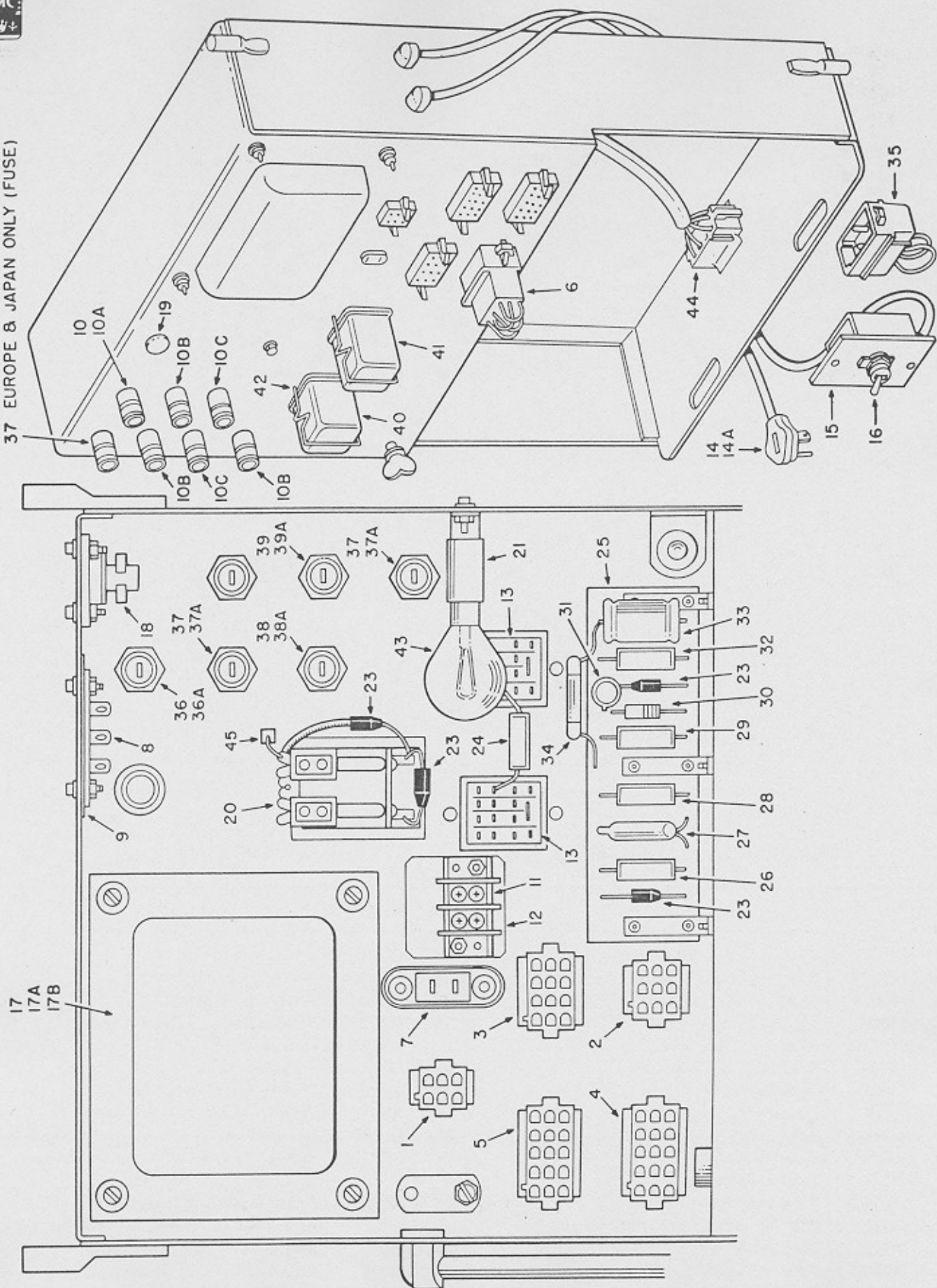
Item	Part No.	Description	Item	Part No.	Description
1	41392-A	Carriage Assembly – 160 only	11	34386	Coil Pad
1A	41566-A	Carriage Assembly – 100 only	12	ST-4856	Spring Washer
2	39020	Carriage Housing – 160 only	13	34626-A	Coil Housing Brkt. Assembly
2A	34364-1	Carriage Housing – 100 only	14	ST-8210	6–32x7/16 Phil. Pan H.
3	17946-1A	Contact Assembly	15	41393-A	Read-Out Arm & Holder Rivet. Assem. – 160 only
4	34382-1	Contact Spring Retainer	15A	41565-A	Read-Out Arm & Holder Rivet. Assem. – 100 only
5	ST-7250	3–48x3/16 Phil. P.H.M.S.	16	41389	Printed Circuit Wiper Unit
6	34624-A	Outside Key Lever & Pin. Assembly	17	ST-2620-1	#6 Shakeproof Solder Lug
6A	34623-1A	Inside Key Lever & Pin Assembly – 160 only	18	ST-2555	6–32x1/4 Slot Hex Flg.
6B	34623-2A	Inside Key Lever & Pin Assembly – 100 only	19	34471	Read-Out Tension Spring
7	ST-9825	Keeper	20	34473	Carriage Pressure Spring
8	34622-A	Coil Armature & Pin Assembly	21	ST-9247	Truarc Self Locking Ring
9	41801	Carriage Coil			
10	34472	Armature Coil Spring			



### ACCUMULATOR ASSEMBLY No. 39655-2A-160 AND 100 SELECTIONS

Item	Part No.	Description	Item	Part No.	Description
1	39599-1A	Bottom Plate & Stud Riveting Assembly	17	ST-2620-1	#6 Terminal Lug
2	14537	Spacer - Frame - 3/16	18	ST-4554	6-32x3/8 Phil. P.H.M.S.
3	14001	Shaft - Main Ratchet	19	14014	Armature - Ratchet Detent
4	14002	Spacer - Frame - 1/4	20	14570	Tension Spring - Ratchet Detent Armature
5	ST-8715	6-32 Hex Whiz Lock Nut	21	14567	Spring Anchor
6	43368	Ratchet & Hub Assembly	22	14126	Shaft - Armature
7	14007	Clock Spring	23	36847	Spacer - Ratchet Detent Armature
8	ST-12	Keeper	24	ST-9826	Keeper
9	31258-1A	Ratchet & Hub Assembly	25	14579-A	Ratchet Escapement Armature & Rivet Assembly
10	14569	Armature Spring	26	14042	Spacer - Ratchet Escapement Armature
11	10901	Tension Spring	27	14019	Shaft - Armature
12	31214-A	Ratchet & Hub Assembly	28	15686	470 Ohm 1/2 Watt Resistor
13	14011	Coil - Accumulator Electro Magnet	29	45224	Cable Clamp
14	14113	Core Detail			
15	14012	Plate - Electromagnet			
16	14566-2	Frame Plate Accumulator Top			

37 EUROPE & JAPAN ONLY (FUSE)



POWER DISTRIBUTION ASSEMBLY—160 AND 100 SELECTIONS

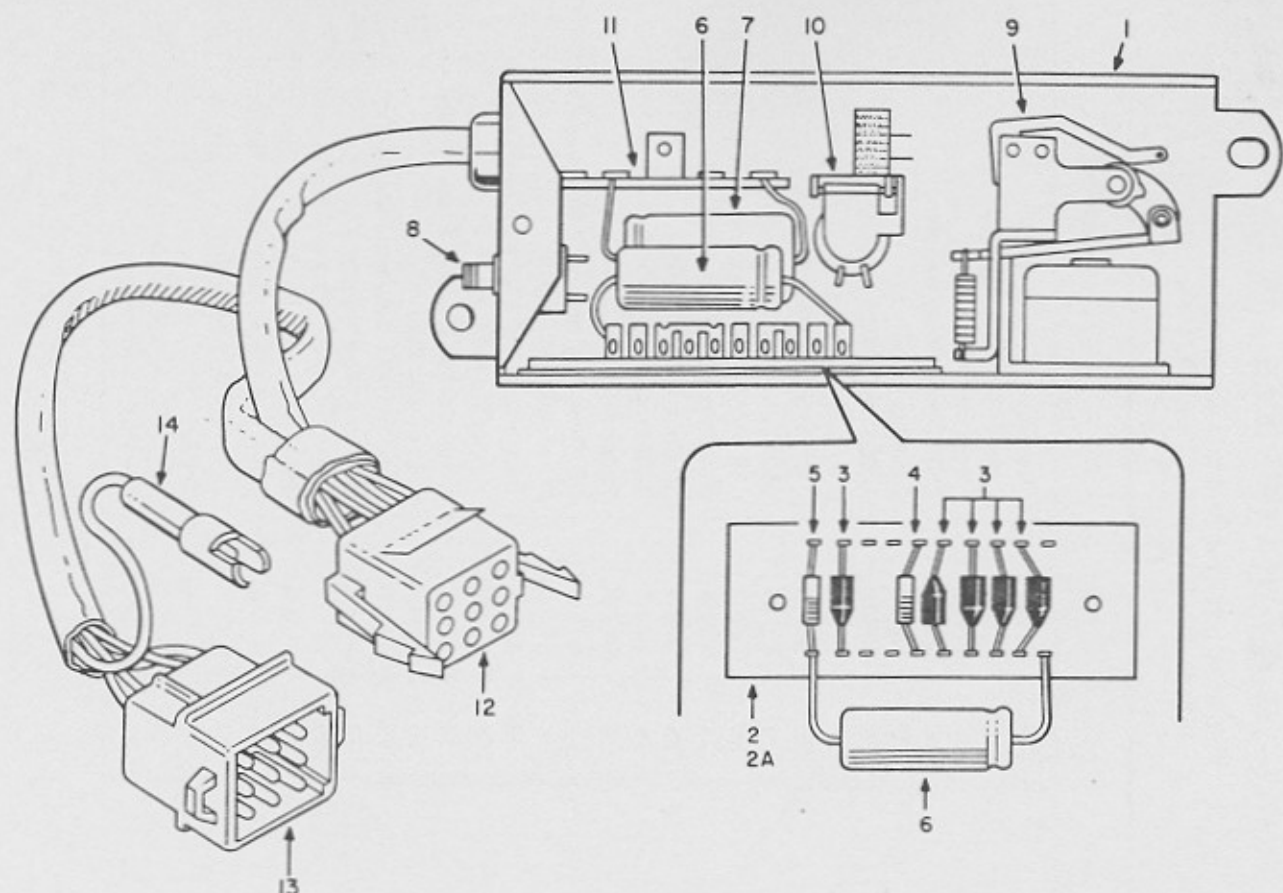
U.S.A. 117 V.A.C. No. 45745-A  
CANADA 117 V.A.C. No. 45755-A

EUROPE 220/240 V.A.C. No. 45750-A  
JAPAN 100/117 V.A.C. No. 45740-A

Item	Part No.	Description	Item	Part No.	Description
1	V-7005	6 Circuit M-N-L Socket — Green	20	34792-1	Play Relay
2	V-7013	9 Circuit M-N-L Socket — White	21	45768	Lamp Socket
3	V-7021	12 Circuit M-N-L Socket — White	23	44875	Plastic Silicon Rectifier
4	V-8760	15 Circuit M-N-L Socket — White	24	45804	1500 Ohm 3 Watt Resistor
5	V-8760	15 Circuit M-N-L Socket — Red	25	45697	Terminal Board
6	40131-A	9 Circuit M-N-L Pin Assembly	26	45804	1500 Ohm 3 Watt Resistor
7	19272	Miniature Socket	27	44782	1 Amp Circuit Breaker
8	45796	Ground Terminal Strip	28	30583	1 Ohm 5 Watt Resistor
9	45797	Terminal Strip Insulator	29	45803	560 Ohm 5 Watt Resistor
10	44786	Fuse Holder (See 10A thru 10C for Canadian Fuse Holders)	30	45802	130 Ohm 1 Watt Resistor
			31	45805	SCR (Silicon Control Rectifier)
	44787	Knob Assembly	32	36454	60 Ohm 5 Watt Resistor
	ST-8744	Hex Nut	33	45806	20 Mfd. Capacitor — N.P.
	ST-4840	Neoprene Washer	34	ST-9623	Pigtail Fuse
10A	44924	Fuse Holder HLO 8 Amp	35	44841-A	15 M-N-L Pin Housing Assembly — Blue
10B	44929	Fuse Holder HLO 3.2 Amp	36	ST-9631	5 Amp Slo-Blo Fuse
10C	46116	Fuse Holder HLO 1.6 Amp	36A	44925	Fustron GMQ 6 1/4 Amp Fuse (Canada)
11	44755	2 Lug Barrier Strip	37	ST-3090	3 Amp Slo-Blo Fuse
12	45713	Barrier Insulator	37A	44930	Fustron GMQ 3.2 Amp Fuse (Canada)
13	44806	Relay Socket	38	ST-4321	1.6 Amp Slo-Blo
14	45703	3 Conductor Cord — 117V.	38A	46118	Fustron GMQ 1.6 Amp Fuse (Canada)
14A	45704	3 Conductor Cord — 220/240V.	39	ST-4332	1.0 Amp Slo-Blo Fuse
15	45798-A	4 Conductor Switch Assembly	39A	46117	Fustron GMQ 1.0 Amp Fuse (Canada)
16	V-10499	On-Off Switch (Only)	40	45305	Relay — 4 P.D.T. 24 V.A.C. — Red
17	45672	Power Transformer — 117V.	41	43561	Relay — 4 P.D.T. 24 V.D.C. — White
17A	45672-C	(Transformer — Canada Only)	42	42303	Relay Hold Down Spring
17B	45673	Transformer — 220/240V.	43	ST-4338	Bulb
18	43509	Bridge Rectifier	44	V-8760	15 M-N-L Socket Housing — Blue
19	ST-9843	Cap Plug	45	40250	2.4 Ohm 3 Watt Resistor







**2/3 QUARTER ADAPTER ASSEMBLY—160 AND 100 SELECTIONS  
No. 45820-A**

Item	Part No.	Description	Item	Part No.	Description
1	45825	2/3 Qtr. Adapter Housing	8	40510	Slide Switch D.P.D.T.
2	45827-A	10 Lug Term. Brd. Wiring Assem.	9	45831	Sequence Relay
2A	45828	10 Lug Term. Brd. (Only)	10	41502	Relay
3	44875	Plastic Silicon Rectifier	11	44781	5 Lug Terminal Strip
4	14234	22 Ohm 1/2 Watt Resistor	12	V-7013	9 MNL Soc. Housing - Red
5	35632	220 Ohm 1 Watt Resistor	13	V-7012	9 MNL Pin Housing - Red
6	41501	100 Mfd. 64V. Capacitor	14	V-9839	1 MNL Pin Housing - White
7	43536	250 Mfd. 64V. Capacitor			Not Shown
				45833	2/3 Qtr. Adapter Housing Cover

PRICE	SINGLES	LP ALBUMS
1 QUARTER _____	2	1
2 QUARTERS OR	5	2 + 1 SINGLE
HALF DOLLAR _____		

45881

PRICE	SINGLES	LP ALBUMS
10c _____	<input type="checkbox"/>	<input type="checkbox"/>
QUARTER _____	<input type="checkbox"/>	<input type="checkbox"/>
HALF DOLLAR _____	<input type="checkbox"/>	<input type="checkbox"/>

46139

PRICE	SINGLES	LP ALBUMS
10c _____	1	1
QUARTER _____	3	1
HALF DOLLAR _____	7	2 + 1 SINGLE

46136

PRICES		
10c _____	1	SINGLE
QUARTER _____	3	SINGLES
HALF DOLLAR _____	7	SINGLES

46161

PRICES		
10c _____	<input type="checkbox"/>	SINGLE
QUARTER _____	<input type="checkbox"/>	SINGLES
HALF DOLLAR _____	<input type="checkbox"/>	SINGLES

46137

PRICES		
1 QUARTER _____	2	SINGLES
2 QUARTERS OR	5	SINGLES
HALF DOLLAR _____		

46162

SINGLES	
QUARTER _____	<input type="checkbox"/>
HALF DOLLAR _____	<input type="checkbox"/>

46138

1 1 1 1 1 1 1 1 1 1 1 2	+1 SINGLE	+2 SINGLES
3 3 3 3 3 4 4 5 2 2 2 3 5	+1 SINGLE	+2 SINGLES
6 7 8 9 10 9 10 10 5 6	+1 SINGLE	+2 SINGLES
1 1 2 3 4 5 6 6 7 7 8 9 10		
1 1 2 3 4 5 6 6 7 7 8 9 10		

46141