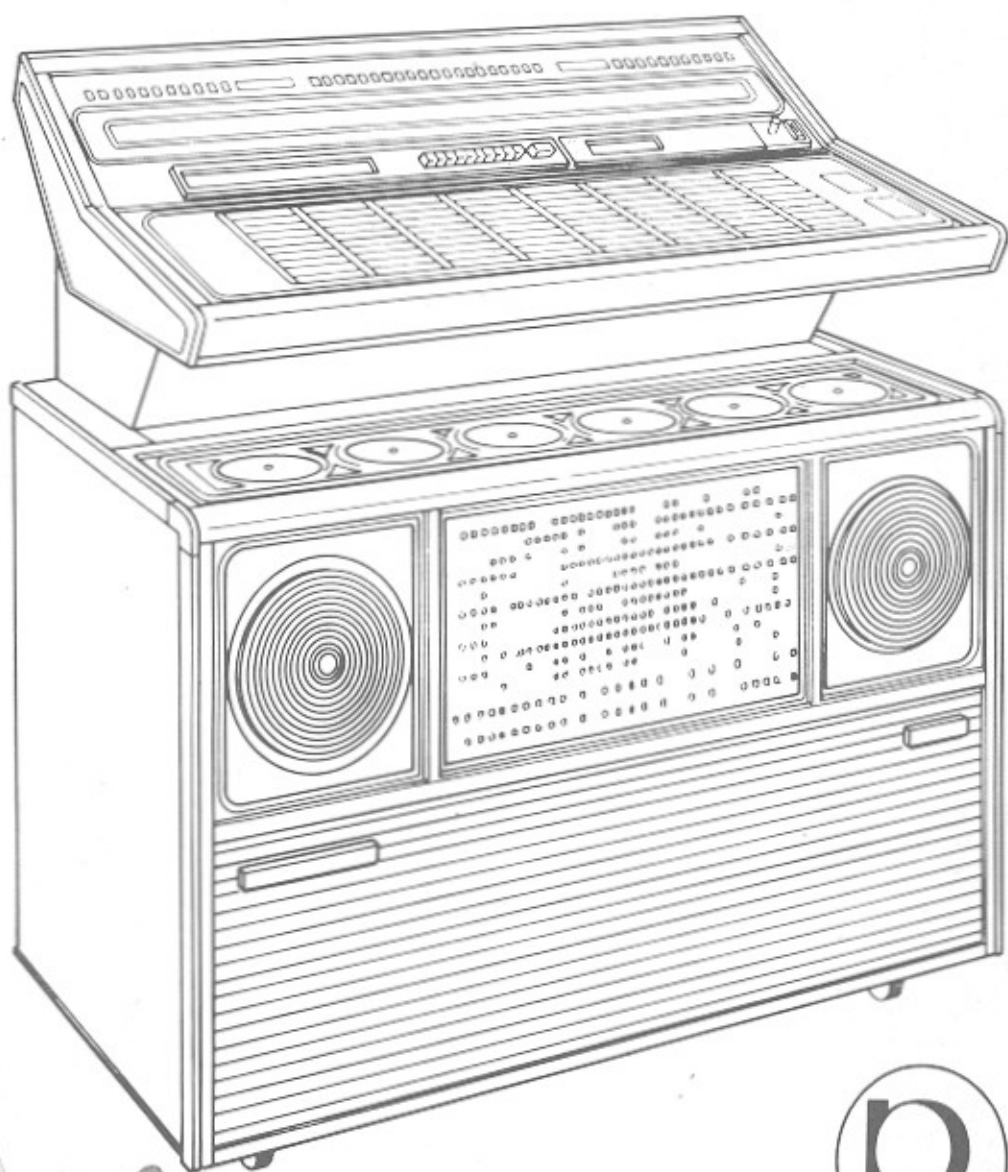


FERGUSON ENTERPRISES INC.
3455 SILVERTON RD. N.E.
SALEM, OREGON 97303



Parts Catalog

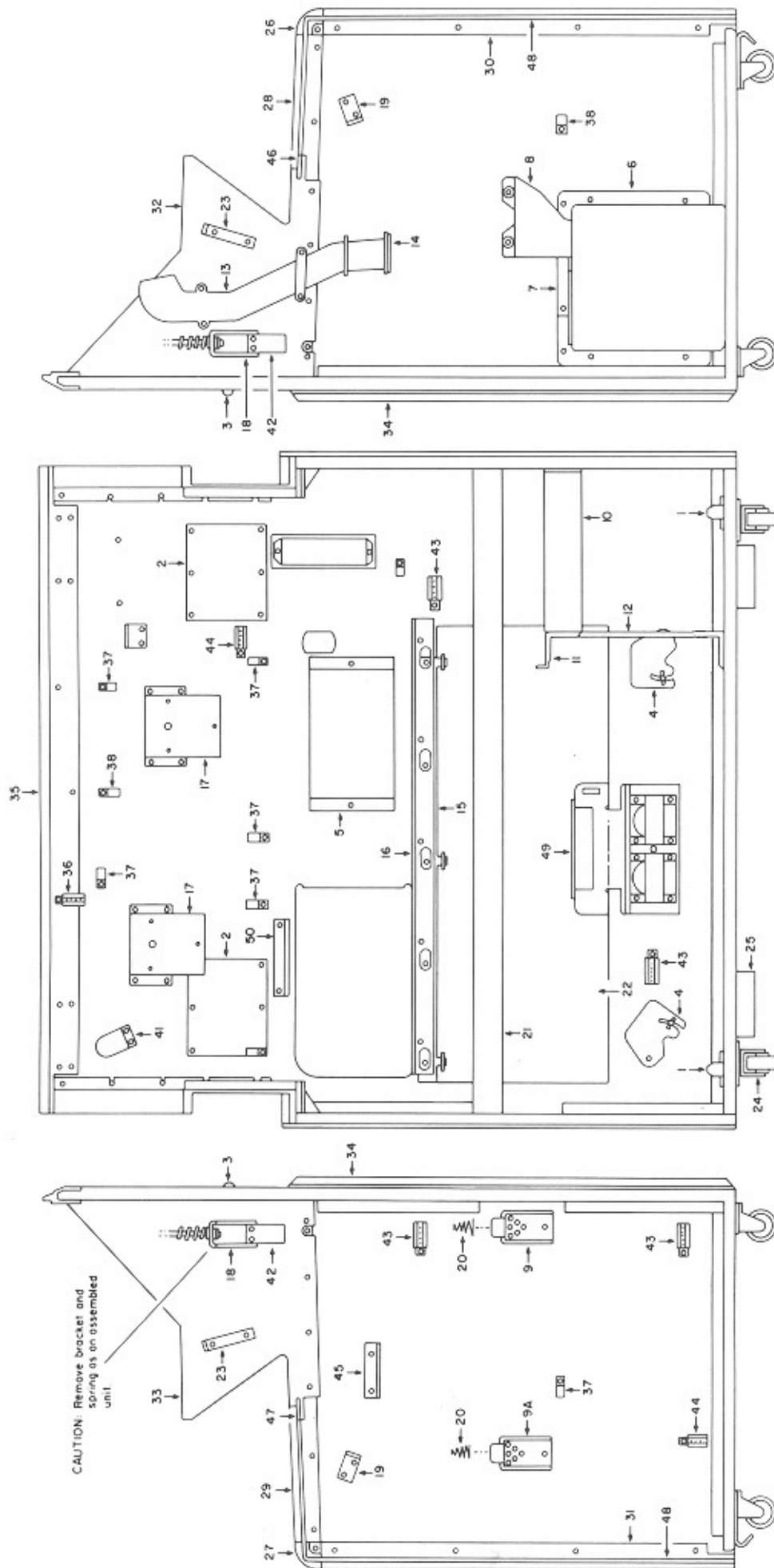
MODEL 453 • 100 SELECTION
MODEL 454 • 160 SELECTION

Phonographs



TABLE OF CONTENTS

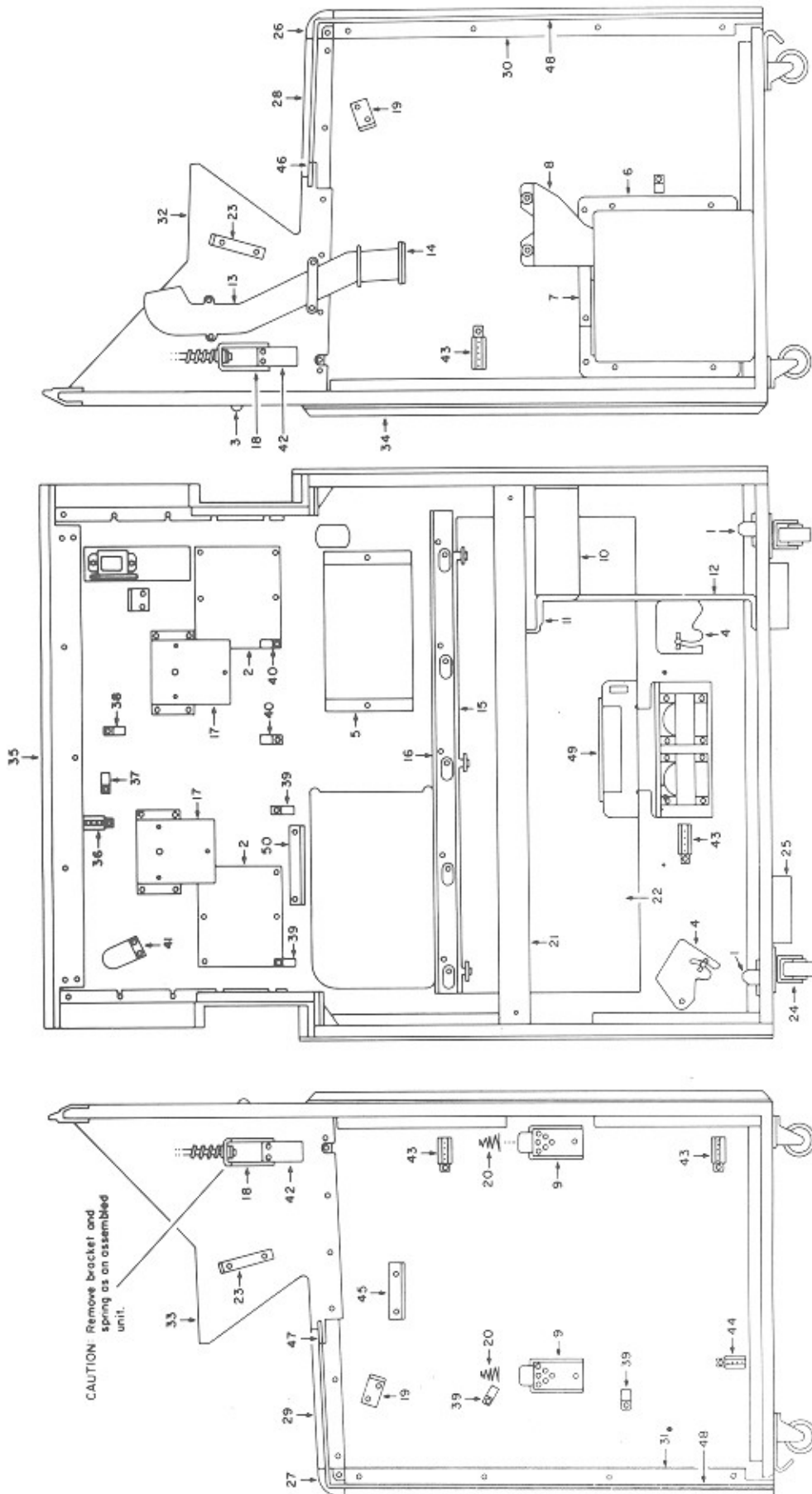
	Page
Cabinet Trim and Related Parts—160 Selection	4–5
Cabinet Trim and Related Parts—100 Selection	6–7
Rejector and Cash Box Housing Assembly—160 & 100 Selection	8–9
Upper Dome Assembly—160 & 100 Selections	10–11
Front Door Assembly—160 & 100 Selection	12–13
Pushbutton Switch Assembly—160 & 100 Selections	14–15
Selection Control Box—Front & Back Assembly—160 & 100 Selections	16–17
Electronic P.C. Board Assembly—160 & 100 Selections	18–19
Mechanism Assembly—160 & 100 Selection	20 thru 23
Selection Indicator, Auxiliary Power Supply & Scan Control—160 & 100 Selection	24–25
Selector Assembly—160 & 100 Selection	26–27
Turntable Assembly—160 & 100 Selection	28–29
Tone Arm Assembly—160 & 100 Selection	30–31
Gripper Housing Assembly—160 & 100 Selection	32
Popularity Counter—160 & 100 Selection	33
Control Box Assembly—160 & 100 Selection	34
Credit Unit Assembly—160 & 100 Selection	35
Write-in Carriage Assembly—160 Selection	36
Write-in Carriage Assembly—100 Selection	37
Read-out Carriage Assembly—160 & 100 Selection	38
Accumulator Assembly—160 & 100 Selection	39
Power Distribution Assembly—160 & 100 Selection	40
2/3 Quarter Adapter (Kit 2158)—160 & 100 Selection	42





**CABINET AND RELATED PARTS
MODEL 454-160 SELECTIONS**

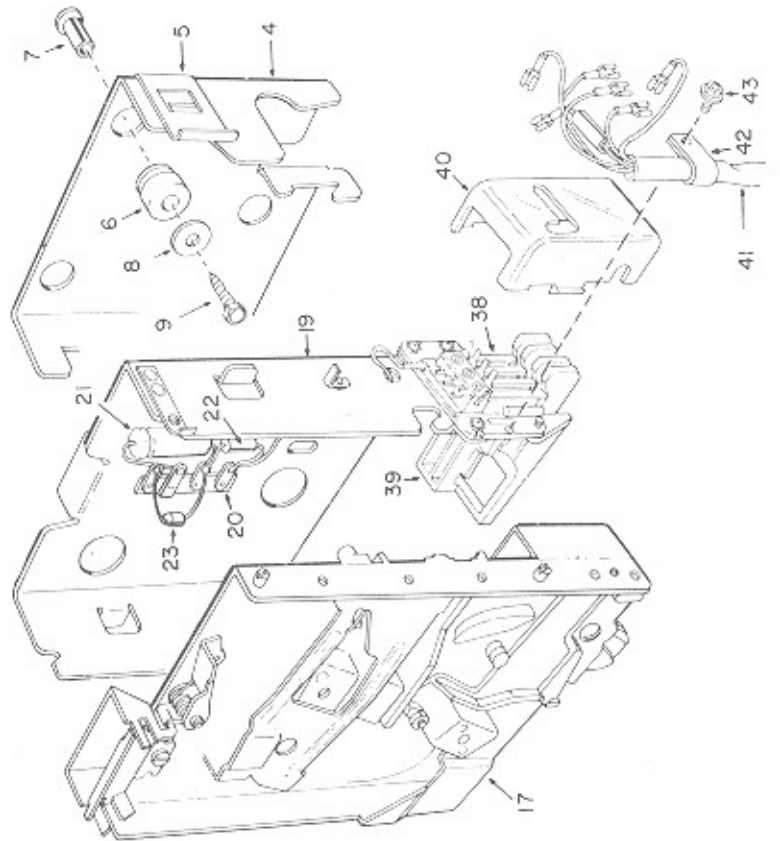
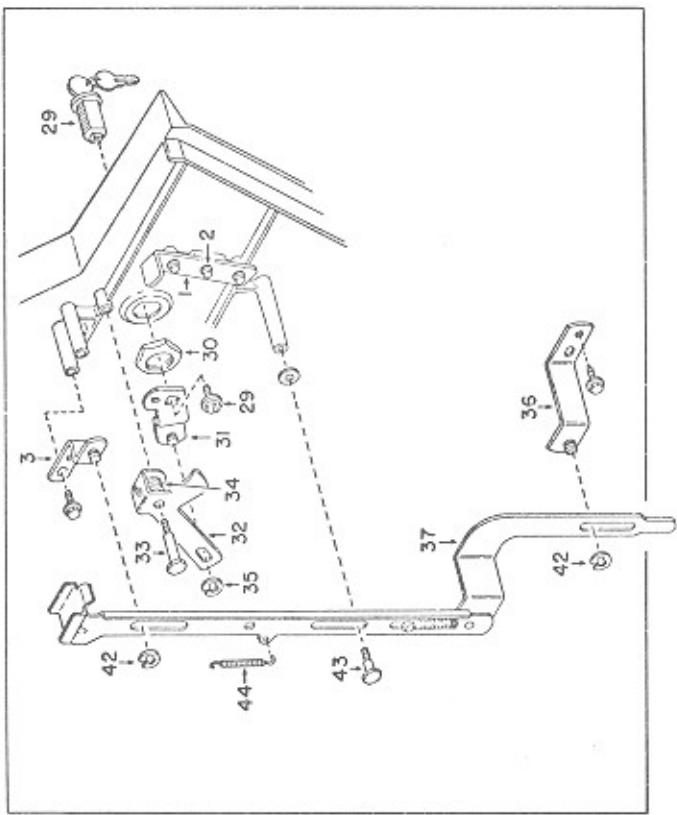
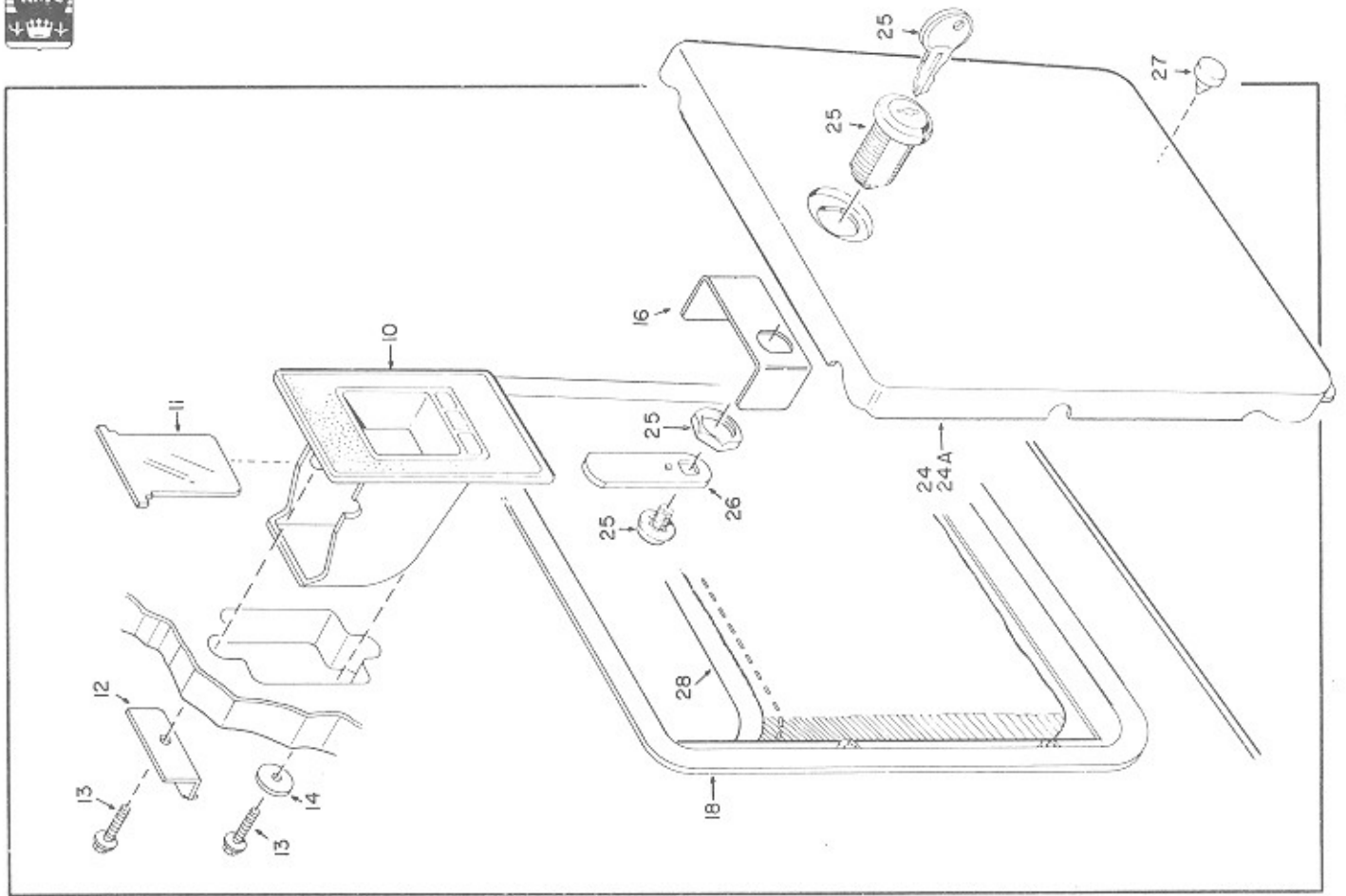
Item	Part No.	Description	Item	Part No.	Description
1	44194-1	Door Hinge Bracket	25	36636-1	Handle Bracket
2	45549	Handle Cover Plate	26	48965	Cabinet Corner Casting R.H.
3	45444-1	Upper Handle	27	48966	Cabinet Corner Casting L.H.
4	46956	Cable Cover	28	49046	Top Extrusion - Cabinet R.H.
5	49066	Vent Cover - Power Dist.	29	49047	Top Extrusion - Cabinet L.H.
6	48980	Cash Box Housing	30	49048	Front Extrusion - Cabinet R.H.
7	49043	Lock Strap Cash Box	31	49049	Front Extrusion - Cabinet L.H.
8	48981	Lower Coin Chute	32	48963	Cabinet Side Casting - R.H.
9	44739-1A	Chassis Mtg. Brkt. Weld Assembly	33	48964	Cabinet Side Casting - L.H.
9A	47099	Chassis Mtg. Brkt.	34	49056	Bumper Strip
10	49063	Horizontal Mechanism Rail	35	49228	Hinge Extrusion - Cabinet
11	45677-1	Mechanism Support Bracket	36	12428	Harness Clamp
12	49064	Vertical Mechanism Support	37	ST-3603	Black Nylon Clamp 9/16
13	48977-A	Coin Chute Assembly	38	ST-3610	Black Nylon Clamp 3/4
14	49506	Pad - Coin Chute	39	ST-3600	Black Nylon Clamp 1/2
15	45566-1	Back Door Lock Plate	40	ST-3609	Black Nylon Clamp 5/8
16	49484	Rest Angle	41	36788-1	Light Bracket (Hold Down Cables)
17	49009	Credit Unit Mtg. Brkt.	42	49478	Cable Retainer Bracket
18	49382-A	Spring & Bracket Assembly	43	ST-9844	Harness Clamp
19	48713	Door Latch Bracket	44	ST-9330	Harness Clamp
20	34403-1	Spring Mtg. Bolt	45	43749	Main Cable Bracket
	34404	Mtg. Bolt Washer	46	49632	Rubber Filler R.H.
	39680	Chassis Spring (Red)	47	49633	Rubber Filler L.H.
	ST-9827	Keeper	48	49373	Rubber Cushion
21	49067	Cabinet Support Channel	49	48595-A	Audio Distribution Assembly
22	46594-2A	Back Door & Bumper Assembly	50	49519	Amplifier Mtg. Brkt.
23	49042	Dome Latch Bracket			
24	ST-6030-1	Caster			
	ST-2592	1/4-20x7/8 Hex Fig. Whiz Lock			



**CABINET AND RELATED PARTS
MODEL 453—100 SELECTIONS**

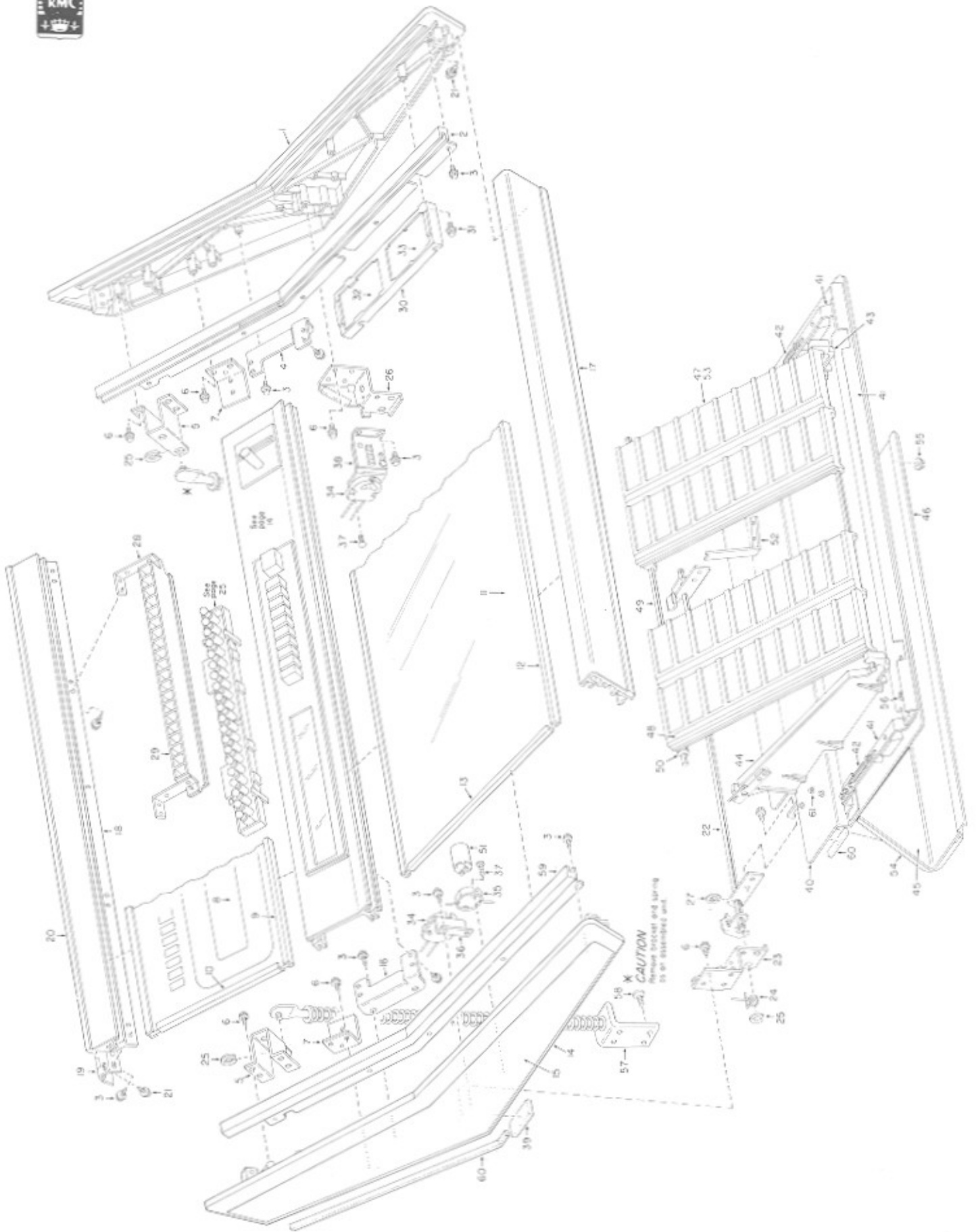
Item	Part No.	Description	Item	Part No.	Description
1	44194-1	Door Hinge Bracket	25	36636-1	Handle Bracket
2	45549	Handle Cover Plate	26	48965	Cabinet Corner Casting R.H.
3	45444-1	Upper Handle	27	48966	Cabinet Corner Casting L.H.
4	46956	Cable Cover	28	49046	Top Extrusion — Cabinet R.H.
5	49066	Vent Cover — Power Dist.	29	49047	Top Extrusion — Cabinet L.H.
6	48980	Cash Box Housing	30	49048	Front Extrusion — Cabinet R.H.
7	49043	Lock Strap Cash Box	31	49049	Front Extrusion — Cabinet L.H.
8	48981	Lower Coin Chute	32	48963	Cabinet Side Casting — R.H.
9	44193	Chassis Mtg. Brkt.	33	48964	Cabinet Side Casting — L.H.
10	49230	Horizontal Mechanism Rail	34	49056	Bumper Strip
11	45677-1	Mechanism Support Bracket	35	49228	Hinge Extrusion — Cabinet
12	49229	Vertical Mechanism Support	36	12428	Harness Clamp
13	48977-A	Coin Chute Assembly	37	ST-3603	Black Nylon Clamp 9/16
14	49506	Pad — Coin Chute	38	ST-3610	Black Nylon Clamp 3/4
15	45566-1	Back Door Lock Plate	39	ST-3600	Black Nylon Clamp 1/2
16	49484	Rest Angle	40	ST-3609	Black Nylon Clamp 5/8
17	49009	Credit Unit Mtg. Brkt.	41	36788-1	Light Bracket (Hold Down Cables)
18	49383-A	Spring & Bracket Assembly	42	49478	Cable Retainer Bracket
19	48713	Door Latch Bracket	43	ST-9844	Harness Clamp
20	34403-1	Spring Mtg. Bolt	44	ST-9330	Harness Clamp
	34404	Mtg. Bolt Washer	45	43749	Main Cable Bracket
	34405	Chassis Spring (Black)	46	49632	Rubber Filler R.H.
	ST-9827	Keeper	47	49633	Rubber Filler L.H.
21	49231	Cabinet Support Channel	48	49373	Rubber Cushion
22	46594-2A	Back Door & Bumper Assembly	49	48595-A	Audio Distribution Assembly
23	49042	Dome Latch Bracket			
24	ST-6030-1	Caster			
	ST-2592	1/4—20x7/8 Hex Fig. Whiz Lock			





SLUG REJECTOR AND CASH BOX HOUSING ASSEMBLY

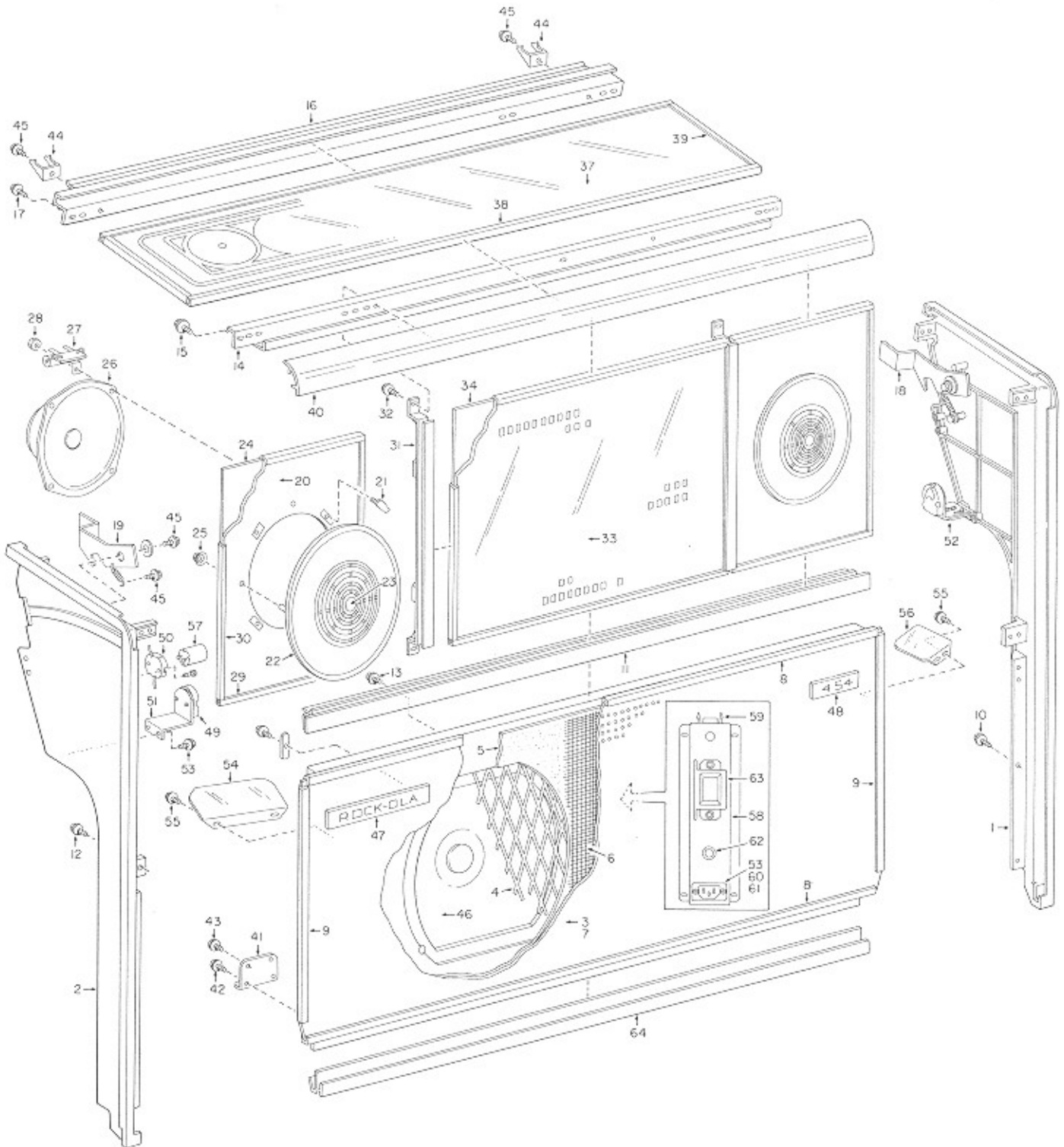
Item	Part No.	Description	Item	Part No.	Description
1	49042	Dome Latch Bracket	24A	49061	Cash Box Door (Only)
2	ST-8271-D	8-32x1/2 Hex Flg.	25	ST-7379K	Lock with Key
3	49262-A	Reject Link Mtg. Brkt. Assembly	26	49049	Cam Bolt
	ST-8269	8-32x3/8 Hex Flg.	27	43293	Button Bumper
4	48510-A	Slug Rejector Housing Assembly	28	49062	Cash Bag
5	44867	Latch Spring	29	10251K	Lock With Key
6	44517	Mounting Grommet	30	ST-8752	Mounting Bolt
7	44518	Grommet Spacer	31	49507-A	Cam Bolt Assembly
8	ST-3139	Flat Washer	32	49053	Lock Link
9	ST-9717	#10x1 H.F.	33	49055	Shoulder Screw
10	48982	Coin Return Cup	34	49054	Spring
11	49041	Coin Return Cup Flap	35	ST-9245	"E" Ring
12	49040	Coin Cup Mounting Brkt.	36	49469-A	Reject Link Mtg. Brkt. Assembly
13	ST-9722	#8x3/4 H.F.		ST-9710	8x5/8 Hex Flg.
14	ST-4843	Flat Washer	37	49263-A	Reject Link Assembly
16	49058	Cash Box Lock Guard	38	45465-A	Coin Switch Assembly - 50¢
17	47165	Slug Rejector - 50¢	39	45460	Coin Guide
18	49060	Cash Door Frame	40	45463-1	Coin Switch Cover
19	45042-A	Slug Rejector Housing Assembly	41	49167-A	Coin Switch Cable (160)
20	45041	4 Lug Terminal Strip		45467-A	Coin Switch Cable (100)
21	41501	100 Mfd 64V Capacitor	42	ST-9245	"E" Ring
22	33248	47 Ohm 1 Watt Resistor	43	48371	Shoulder Screw
23	47972	200 Piv Glass Rectifier		ST-4835	Flat Washer
24	49505-A	Cash Box Door Assembly	44	V-15464	Spring



DOME ASSEMBLY (160)—No. 48315-A
DOME ASSEMBLY (100)—No. 48630-A



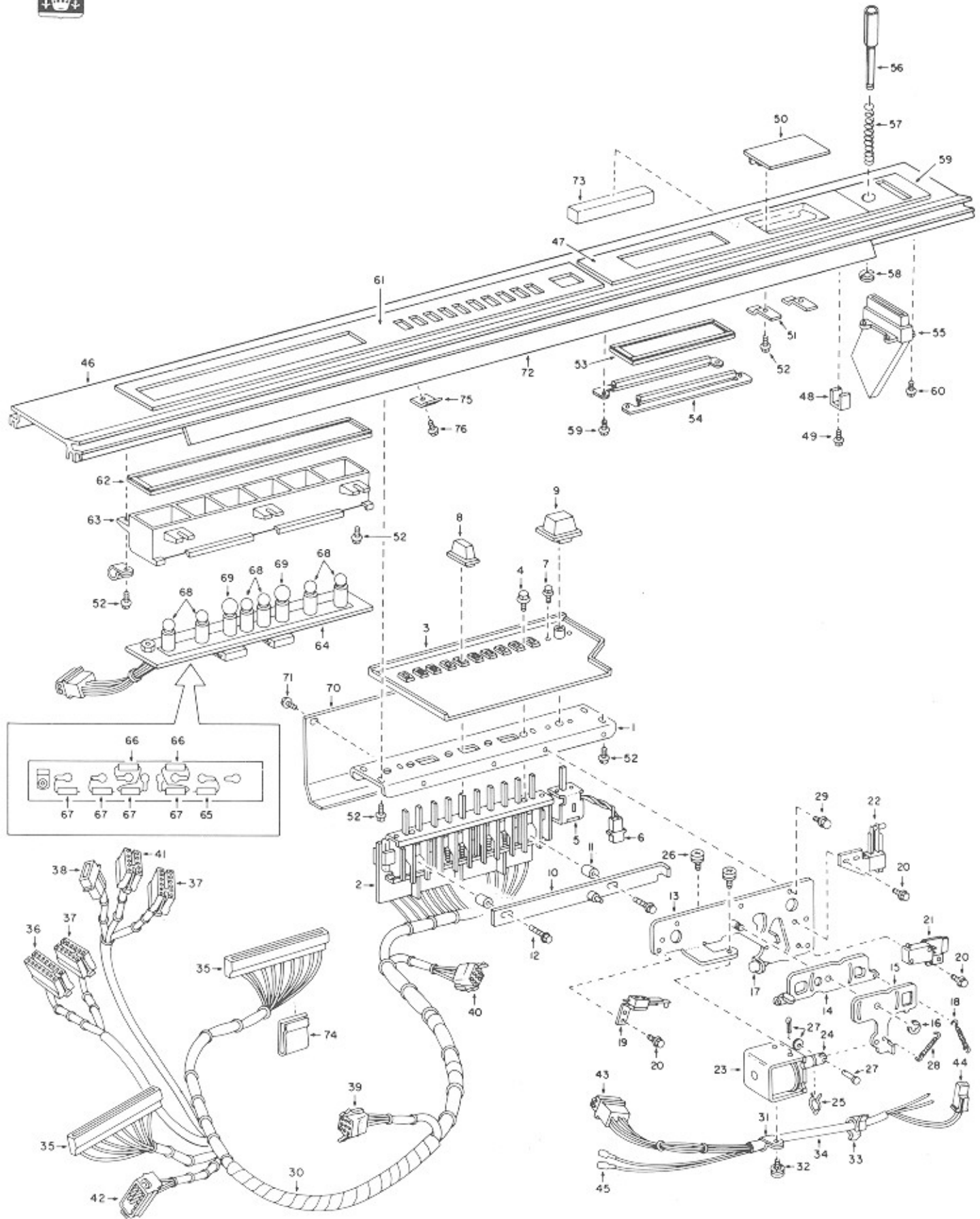
Item	Part No.	Description	Item	Part No.	Description
1	48961	Dome Casting — Side — R.H.	33	49729	Pricing Card — 2/3-25¢ — Std.
2	49388	Dome Casting Insert — R.H.	34	46634	Fluor. Light Socket
3	48985	Glass Trim Casting — R.H.	35	35117	Fluor. Starter Socket
4	ST-8269	#8-32x3/8 Hex Flg.	36	46153-1	Light Mtg. Brkt. (L.H. Casting) (160)
5	49037	Keypate Mtg. Brkt. — R.H.	37	47121	Light Mtg. Brkt. (L.H. Casting) (100)
6	49034	Dome Lift Brkt.	38	ST-9745	4-40x1/2 Phil. Pan. H.
7	ST-8282	#10-24x5/8 Hex Flg.	39	47540-A	Light Mtg. Brkt. Assembly (R.H. Casting)
8	49025	Stop Brkt. Dome	40	48989	Neoprene Bumper
9	49502-A	Dome Glass Assembly — Upper (160)	41	49534-A	Bottom Plate & Guide Casting Assembly (160)
10	49513-A	Dome Glass Assembly — Upper (100)	42	49541-A	Bottom Plate & Guide Casting Assembly (100)
11	45226-35	3/4 Vinyl Channel (160)	43	49523-A	Lock & Ext. Bar Rivet Assembly (160)
12	45226-32	1/2 Vinyl Channel (100)	44	49531-A	Lock & Ext. Bar Rivet Assembly (100)
13	45226-7	Vinyl Channel	45	49026	Extension Bar Spring
14	49028	Dome Glass — Lower (160)	46	49013	Program Support Rivet Assembly R.H.
15	49226	Dome Glass — Lower (100)	47	49526-A	Program Support Rivet Assembly L.H.
16	45226-39	3/4 Vinyl Channel (160)	48	49527-A	Front Panel Weld Assembly (160)
17	45226-12	1/2 Vinyl Channel	49	49589-A	Front Panel Weld Assembly (100)
18	48962	Dome Casting — Side — L.H.	50	49629-A	Lower Extrusion Dome (160)
19	49389	Dome Casting — Insert — L.H.	51	49018	Lower Extrusion Dome (100)
20	49038	Keypate Mtg. Bracket — L.H.	52	49530-A	Program Holder Assembly Complete (160)
21	49012	Front Extrusion — Dome (160)	53	49540-A	Program Holder Assembly Complete (100)
22	49217	Front Extrusion — Dome (100)	54	47031	Program Holder Label Number Strip (160)
23	49010	Rear Extrusion — Dome (160)	55	47263	Program Holder Label Number Strip (100)
24	49215	Rear Extrusion — Dome (100)	56	49494	Program Tie Rod (160)
25	49032	Dome Hinge (160)	57	49501	Program Tie Rod (100)
26	49220	Dome Hinge (100)	58	ST-9873	Push Nut
27	49011	Rear Extrusion Dome — Upper (160)	59	38688	30 Watt Starter (160)
28	49216	Rear Extrusion Dome — Upper (100)	60	49538	30 Watt Fluor. Lamp — Daylite (160)
29	ST-9744	#8x1/2 Hex Washer Hd.	61	V-438	25 Watt Starter (100)
30	49124-A	Dome Lock Shaft Weld Assem. (160)		49539	19 Watt Fluor. Lamp — Daylite (100)
31	49166-A	Dome Lock Shaft Weld Assem. (100)		46861	Fluor-O-Lock
32	49036	Lock Shaft Mounting Brkt. L.H.		49639	Support Brkt.
	49016	Lock Latch Spring — Dome Keeper		46998-1	Program Holder
	ST-9827	Lock Shaft Mounting Brkt. R.H.		40654-10	3/4 Foam Cushion
	49035	Retaining Ring		ST-8721	#8-32 Flg. Hex Whiz Lock Nut
	ST-9258	Light Box Mounting Brkt.		ST-399	Flat Washer
	49033	Play Indicator Light Box		ST-9263	"E" Ring
	46996	Flat Washer		49382-A	Spring & Brkt. Assembly (160)
	ST-399	#8-32x3/8 Hex Flg.		49383-A	Spring & Brkt. Assembly (100)
	ST-8269	Card Holder & Gasket Assembly		ST-4053	10-32x1/2 R.H.S.T.
	48641-A	#8-32x1/2 Hex Flg.		48986	Glass Trim Casting L.H.
	ST-8271-D	Instruction Card (Domestic)		45816	Rubber Cushion
	48443			ST-2567	#8-32x5/16 Hex Flg.





FRONT DOOR ASSEMBLY (160)—No. 48310-A
FRONT DOOR ASSEMBLY (100)—No. 48615-A

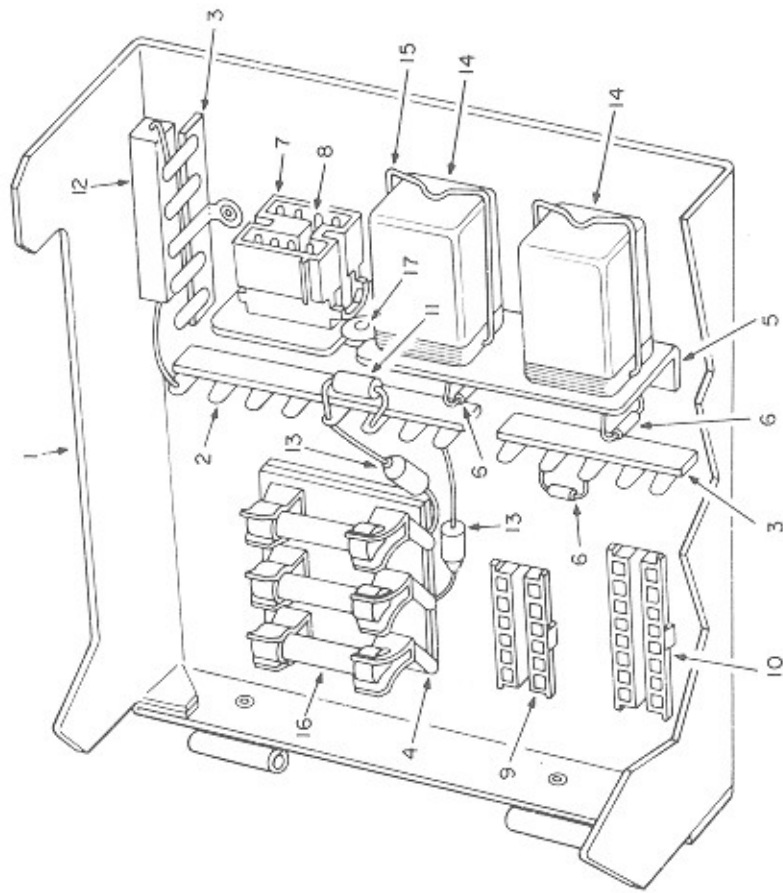
Item	Part No.	Description	Item	Part No.	Description
1	48967	Door Casting R.H.	31	48984	Divider Casting (160)
2	48968	Door Casting L.H.	32	ST-8296	8x3/8 Hex Hd.
3	49443-A	Baffle & Grille Assem. (160)	33	48996	Front Glass (160)
	49451-A	Baffle & Grille Assem. (100)		49206	Front Glass (100)
4	49001	Grille Backing Plate	34	49003	Front Glass Backing
5	49623	Foam Pad R.H. (160)	35	45226	Vinyl Channel 19 1/4 (160)
	49624	Foam Pad L.H. (160)		45226	Vinyl Channel 32 1/2 (100)
	49682	Foam Pad (100)	36	45226	Vinyl Channel 11 11/16
6	49634	Speaker Scrim (160)	37	48995	Top Glass (160)
	49628	Speaker Scrim (100)		49205	Top Glass (100)
7	48997	Grille (160)	38	45226	Vinyl Channel 39 3/4 (160)
	49207	Grille (100)		45226	Vinyl Channel 32 1/2 (100)
8	47733	Rubber Channel 39 1/4 (160)	39	45226	Vinyl Channel 7 7/8
	47733	Rubber Channel 32 1/4 (100)	40	48991	Front Extrusion (160)
9	48988	Rubber Cushion 11 7/8		49202	Front Extrusion (100)
10	ST-2570-D	8-32x5/8 Hex Flg.	41	42134	Door Pivot Bracket
11	48992	Center Extrusion (160)	42	ST-2580	10-32x5/8 Hex Flg.
	49203	Center Extrusion (100)	43	ST-9711	10x11/16 Hex Flg.
12	ST-8298	8x1/2 Hex Flg.	44	49631	Blocking Bracket
13	ST-9710	8x5/8 Hex Flg.	45	ST-8269	8-32x3/8 Hex Flg.
14	48998	Glass Support Channel (160)	46	44854-1	Speaker 12" (160)
	49208	Glass Support Channel (100)		49212	Speaker 12" (100)
15	ST-8271	8-32x1/2 Hex Flg. (160)	47	49394	"Rock-Ola" Casting (160)
	ST-8269	8-32x3/8 Hex Flg. (100)		49476	Casting Mounting Strap (160)
16	48990	Rear Extrusion (160)		ST-9744-D	8x1/2 Hex Flg.
	49201	Rear Extrusion (100)	48	49395	"454" Casting (160)
17	ST-8271	8-32x1/2 Hex Flg.		49476	Casting Mounting Stap (160)
18	49005	Door Latch R.H.		ST-9744-D	8x1/2 Hex Flg.
	ST-3150	Flat Washer	49	46634	Fluor. Light Socket
	ST-8269	8-32x3/8 Hex Flg.		V-10875	Fluor. Lamp (Daylite) (160)
	34702	Spring		V-10671	Fluor. Lamp (Daylite) (100)
19	49006	Door Latch L.H.	50	35117	Fluor. Starter Socket
	ST-3150	Flat Washer	51	47121	Light Mounting Brkt.
	ST-8269	8-32x3/8 Hex Flg.	52	47540-A	Light Mounting Brkt. Assem.
20	48970	Speaker Mtg. Casting (160)	53	ST-9745	4-40x1/2 P.P.H.
21	ST-10277	10-32 3/4 Spotweld Screw (160)	54	49641	Light Reflector - Long (160)
22	48971	Speaker Grille Casting (160)	55	ST-9710	8x5/8 Hex Flg.
23	48994	Casting Insert (160)	56	49642	Light Reflector - Short (160)
24	49004	Casting Backing (160)	57	V-438	25 Watt Starter
25	ST-8705	Palnut	58	49482	Ballast Mtg. Brkt.
26	48852	Speaker (6") Round (160)	59	ST-10056	3 Cir. M-N-L Socket Hsg.
27	49548-A	Speaker Terminal Assembly (160)	60	49308	Male Connector 125V 15 Amp.
	49511	Connector Strip (160)	61	49483	Connector Mtg. Plate
	48844	8 M.F.D. 34V Capacitor (160)	62	ST-4384	Snap Bushing
28	ST-8717	10-32 Hex Whiz Lock Nut (160)	63	49449-A	25W Ballast Assembly
29	45226	Vinyl Channel 9 7/8 (160)	64	48993	Bottom Extrusion (160)
30	45226	Vinyl Channel 11 11/16		49204	Bottom Extrusion (100)



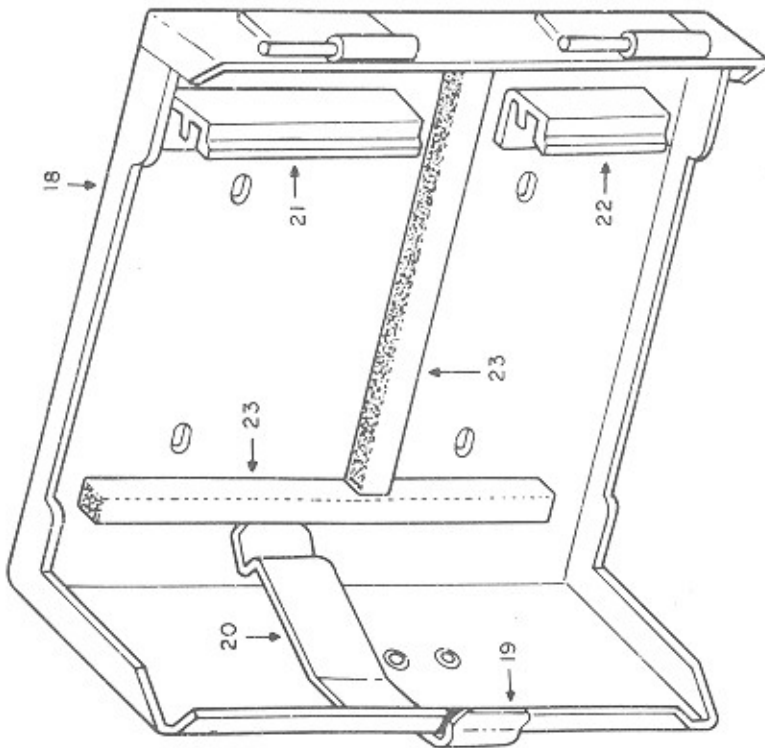


PUSH BUTTON SWITCH ASSEMBLY (160)—No. 48530-A
PUSH BUTTON SWITCH ASSEMBLY (100)—No. 48665-A

Item	Part No.	Description	Item	Part No.	Description
1	47156-1	Mounting Channel	36	ST-10007	16 Cir. Mtr. Mtg. Soc. Hsg.
2	48477-2	Push Button Switch	37	V-7043	12 Cir. Mtr. Mtg. Soc. Hsg.
3	49636	Plastic Shield	38	V-7046	3 Cir. Pin Hsg. — White
4	ST-2567	8—32x5/16 Hex Flg.	39	V-7013	9 Cir. Pin Hsg. — Red
5	48478	Reset Switch	40	V-7013	9 Cir. Pin Hsg. — White
6	V-9497	2 Cir. M-N-L Pin Hsg.—White	41	V-7039	10 Cir. Mtr. Mnt. Soc. Hsg. — Red
7	ST-2556	6—32x5/16 Hex Flg.	42	V-8764	15 Cir. Pin Hsg. — Green
8	47002-2	Key Switch Button Set (1 thru 0)	43	V-7012	9 Cir. Pin Hsg. — White
	48479-1	Key Switch Button "1"	44	V-9498	2 Cir. Soc. Hsg. — White
	48479-2	" " " "2"	45	37671	.110 Faston Receptacle
	48479-3	" " " "3"		V-5111	.187 Faston Receptacle
	48479-4	" " " "4"		V-7053	M-N-L Pin (For above M-N-L Hsgs.)
	48479-5	" " " "5"		V-7052	M-N-L Socket
	48479-6	" " " "6"	46	49014	Keyplate Extrusion (160)
	48479-7	" " " "7"		49219	Keyplate Extrusion (100)
	48479-8	" " " "8"	47	48974	Bill Acceptor Bezel (160)
	48479-9	" " " "9"	48	49068	Casting Clamp
	48479-0	" " " "0"	49	ST-8271	#8—32x1/2 Hex Flg.
9	47003-2	Reset Button (Domestic)	50	48975	Bill Acceptor Cover (160)
10	47379-A	Lock Stud Bar Rivet Assem.	51	49074	Bill Acceptor Cover Brkt. (160)
11	45506	Spacer — Lock Bar	52	ST-8269	#8—32x3/8 Hex Flg.
12	ST-2560	6—32x5/8 Hex Flg.	53	49401	Design Glass (160)
13	47167-A	Switch Plate Riv. Assem.		33358	Rubber Cushion
14	35029-2	Locking Bar	54	49393	Glass Retainer (160)
15	45503-2	Actuator	55	48972	Coin Entry Casting
16	ST-9245	Truarc "E" Ring	56	49039	Reject Button
17	ST-2320	Solenoid Bumper	57	43800-1	Reject Button Spring
18	47958	Rocker Bar Spring		46273	Rubber Washer
19	45671-A	Brkt. & Switch Assem.	58	ST-9827	Keeper
20	ST-2555	6—32x1/4 Hex Flg.	59	48973	Coin Chute Dome
21	48828-A	Brkt. & Switch Assem.	60	ST-9744	#8x1/2 Hex Washer Hd.
	48819	Switch Bracket	61	48969	Push Button Switch Casting
	48821	Switch Insulator		33358	Rubber Cushion
	42397	Micro Switch	62	49397	Signal Window
	ST-7248	4—40x1/2 P.P.H.M.S.		33358	Rubber Cushion
22	49310-A	Brkt. & Switch Assem.	63	47009	Signal Light Housing
23	47201	Keyboard Solenoid	64	49111-A	Light Board & Socket Assembly
24	45706	Plunger	65	47059	120 Ohm 5W Resistor
25	45707	Residual Spring	66	35128	22 Ohm 5W Resistor
26	ST-6305	10—32x1/4 P.P.H.M.S.	67	39706	39 Ohm 3W Resistor
27	45517	Actuator Connecting Pin	68	46739	#53 Light Bulb
	ST-347	Flat Washer	69	ST-10066	#257 Light Bulb
	ST-1013	Cotter Pin	70	49392	Key Switch Cable Guard
	ST-9430	Fiber Washer		48692	Cable Guard Insulator
28	35108	Lock Bar Sol. Return Spring	71	ST-8268	8—32x5/16 Hex Flg.
29	ST-2566	8—32x1/4 Hex Flg.	72	49638	Light Blocking Strip (160)
30	49234-A	Push Switch Mech. Cable Assem.		49683	Light Blocking Strip (100)
31	ST-3601	Black Nylon Clamp	73	40654	Foam Cushion 3 1/2" Lg.
32	ST-6305	10—32x1/4 P.P.H.M.S.	74	49537	Connector Spring
33	ST-9891	Cable Clip	75	49559	Dome Light Cable Clip
34	49236-A	Push Switch Cable (160)	76	ST-9743-D	8x3/8" Hex Washer Hd.
	49379-A	Push Switch Cable (100)			
35	47162	Edge Connector (22 Circuit)			
	47161	Edge Keying Plug			
	46733	P.C. Board Contact			



SELECTION CONTROL BOX FRONT ASSEMBLY
NO. 48298-A - 160
NO. 48553-A - 100

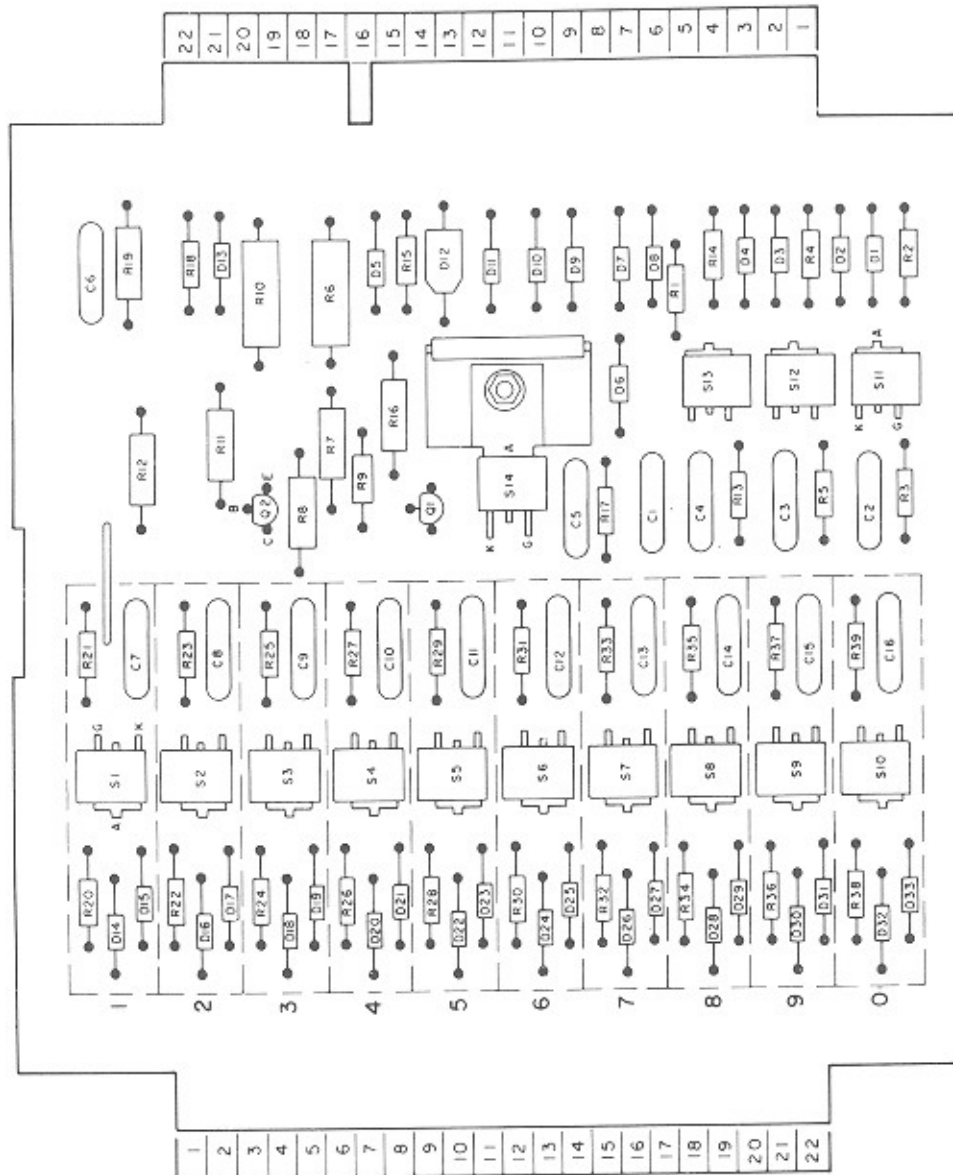


SELECTION CONTROL BOX BACK ASSEMBLY
NO. 48290-A - 160 AND 100
(Includes P.C. Board No. 47486-1A. See next
page for component parts.)

SELECTION CONTROL ASSEMBLY COMPLETE (160)—No. 48115-A
SELECTION CONTROL ASSEMBLY COMPLETE (100)—No. 48220-A

Item	Part No.	Description
1	48299-A	Front Riveting Assembly
2	19071	8 Lug Terminal Strip
3	40229	5 Lug Terminal Strip
4	47431	Fuse Holder — Triple
5	47490-A	Relay Socket Bracket Assembly
	47144	Relay Socket Bracket
	47471	Relay Socket
	ST-6577	4-40x1/4 Phil. P.H.M.S.
	ST-8727	4-40 Keps Hex Nut
6	46497	100 PRV 1 Amp Miniature Rectifier
7	V-7034	8 Circuit MNL Motor Mount Pin Housing — White
8	V-7053	MNL Pin
9	V-7042	12 Circuit MNL Pin Housing — White
10	ST-10006	16 Circuit MNL Pin Housing — White
11	43514	270 Ohm 1 Watt Resistor 10%
12	45854	15 Ohm 10 Watt Resistor 10%
13	47972	200 PRV Glass 1.5 Amp Rectifier
14	47386	Relay 2C — 24 V.D.C.
15	47472	Relay Hold Down Spring
16	ST-3068	1 Amp 3AG 250V. Fuse
17	ST-3273	Rubber Grommet
18	48297-A	Back Riveting Assembly
19	47483	Front Retainer Spring
20	47484	P.C. Board Retainer Spring
21	47485	P.C. Board Runner
22	47474	P.C. Board Runner — Short
23	47278	Rubber Cushion — 4 3/4"





SELECTION CONTROL P.C. BOARD



ELECTRONIC P.C. BOARD ASSEMBLY No. 47486-1A

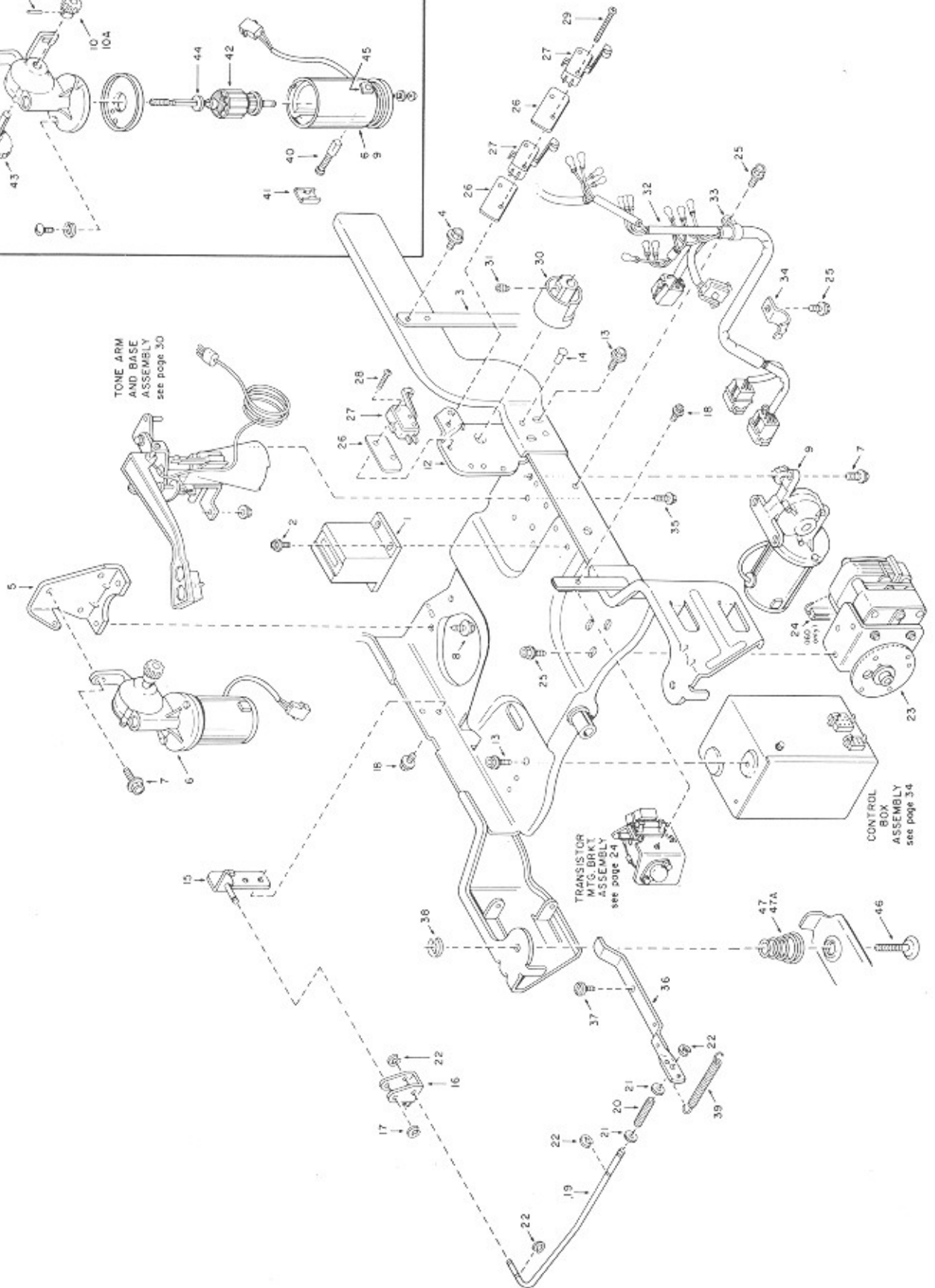
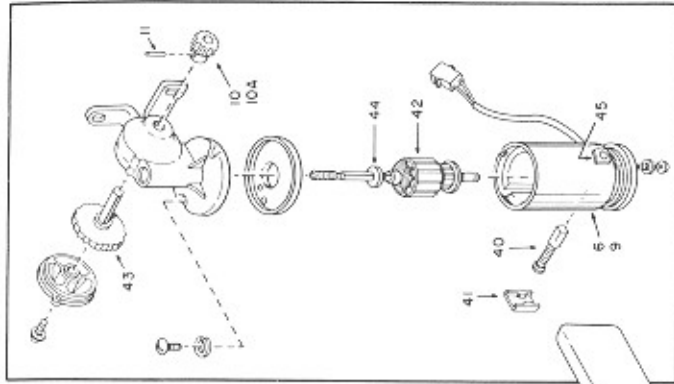
Note: Electronic P.C. Board resistor values as shown in the Service Manual Schematics and the Wiring Diagram are superseded by resistor values as shown here.

Item	Part No.	Description	Item	Part No.	Description	Item	Part No.	Description
RESISTORS								
R1	47426	470 Ohm 1/4 Watt 10%	R25	47426	470 Ohm 1/4 Watt 10%	C9	47422	.047 Mfd 250 W.V.D.C.
R2	47832	5.6K Ohm 1/4 Watt 10%	R26	47832	5.6K Ohm 1/4 Watt 10%	C10	47422	.047 Mfd 250 W.V.D.C.
R3	47426	470 Ohm 1/4 Watt 10%	R27	47426	470 Ohm 1/4 Watt 10%	C11	47422	.047 Mfd 250 W.V.D.C.
R4	47832	5.6K Ohm 1/4 Watt 10%	R28	47832	5.6K Ohm 1/4 Watt 10%	C12	47422	.047 Mfd 250 W.V.D.C.
R5	47426	470 Ohm 1/4 Watt 10%	R29	47426	470 Ohm 1/4 Watt 10%	C13	47422	.047 Mfd 250 W.V.D.C.
R6	47423	1500 Ohm 1 Watt 10%	R30	47832	5.6K Ohm 1/4 Watt 10%	C14	47422	.047 Mfd 250 W.V.D.C.
R7	16226	4.7K Ohm 1/2 Watt 10%	R31	47426	470 Ohm 1/4 Watt 10%	C15	47422	.047 Mfd 250 W.V.D.C.
R8	16226	4.7K Ohm 1/2 Watt 10%	R32	47832	5.6K Ohm 1/4 Watt 10%	C16	47422	.047 Mfd 250 W.V.D.C.
R9	47832	5.6K Ohm 1/4 Watt 10%	R33	47426	470 Ohm 1/4 Watt 10%	SILICON CONTROL RECTIFIERS		
R10	47423	1500 Ohm 1 Watt 10%	R34	47832	5.6K Ohm 1/4 Watt 10%	S1 thru		
R11	16226	4.7K Ohm 1/2 Watt 10%	R35	47426	470 Ohm 1/4 Watt 10%	S13	47433	Heat Sink Bracket
R12	16226	4.7K Ohm 1/2 Watt 10%	R36	47832	5.6K Ohm 1/4 Watt 10%	S14	47432	4-40x3/8 P.P.H.M.S.
R13	47426	470 Ohm 1/4 Watt 10%	R37	47426	470 Ohm 1/4 Watt 10%		44713	4-40 Keps Hex Nut
R14	47832	5.6K 1/4 Watt 10%	R38	47832	5.6K Ohm 1/4 Watt 10%		ST-7265	
R15	47832	5.6K 1/4 Watt 10%	R39	47426	470 Ohm 1/4 Watt 10%		ST-8727	
R16	13042	2K Ohm 1/2 Watt 5%	CAPACITORS			DIODES		
R17	47426	470 Ohm 1/4 Watt 10%	C1	47421	.1 Mfd 250 W.V.D.C.	D12	44875	600 P.R.V. Rectifier
R18	47426	470 Ohm 1/4 Watt 10%	C2	47422	.047 Mfd 250 W.V.D.C.	D1 thru		
R19	16224	1K Ohm 1/2 Watt 10%	C3	47422	.047 Mfd 250 W.V.D.C.	D33	46497	100 P.R.V. 1 Amp Rect.
R20	47832	5.6K Ohm 1/4 Watt 10%	C4	47422	.047 Mfd 250 W.V.D.C.	TRANSISTORS		
R21	47426	470 Ohm 1/4 Watt 10%	C5	47422	.047 Mfd 250 W.V.D.C.	Q1	47831	Transistor MPS A56
R22	47832	5.6K Ohm 1/4 Watt 10%	C6	47421	.1 Mfd 250 W.V.D.C.	Q2	47831	Transistor MPS A56
R23	47426	470 Ohm 1/4 Watt 10%	C7	47422	.047 Mfd 250 W.V.D.C.			
R24	47832	5.6K Ohm 1/4 Watt 10%	C8	47422	.047 Mfd 250 W.V.D.C.			

**MECHANISM ASSEMBLY—160 SELECTION No. 48320-A
100 SELECTION No. 48650-A**

Item	Part No.	Description	Item	Part No.	Description	Item	Part No.	Description
1	43251-5A	Chassis Plate Rivet, Assem.—160	20	39119	Turntable Mounting Stud (160 Sel.)	40	43030	Hub Magazine—160 Selection
1A	43246-2A	Chassis Plate Rivet, Assem.—100	20A	36312	Turntable Mounting Stud (100 Sel.)	40A	43051	Hub Magazine—100 Selection
2	39137-A	Pop Counter Shaft & Gear Assembly—160 Selection	21	ST-8723	1/4-20 Whiz Lock Nut	41	43222-A	Separator Wire Assembly—160 Sel.
2A	34662-1A	Pop Counter Shaft & Gear Assembly—100 Selection	22	ST-8722	10-32 Whiz Lock Nut	41A	43224-A	Separator Wire Assembly—100 Sel.
5	39178	Washer (Special)—160 Sel. only	23	ST-2578	10-32x3/8 Hex Fig. Whiz Lock Flat Washer	42	43218-1	Cover—Mag. Wire—160 Selection
6	ST-9377	Retaining Ring	24	ST-4864	Scan Switch Cable Assem.—160 Sel.	42A	43221-1	Cover—Mag. Wire—100 Selection
7	39083	Bevel Gear—Main Shaft	25A	47741-1A	Scan Switch Cable Assem.—100 Sel.	43	43226-A	Cover & Brkt. Weld Assem.—160 Sel.
8	ST-2253	10-32x1/4 Allen Hd. Set Screw	26	46397-A	Odd-Even Sw. Brkt.—160 Selection	43A	43227-A	Cover & Brkt. Weld Assem.—100 Sel.
9	46357	Mechanism End Mtg. Brkt.—160	26A	46432-A	Odd-Even Sw. Brkt.—100 Selection	44	46461	Main Shaft—160 Selection
9A	46555	Mechanism End Mtg. Brkt.—100	27	41377	Odd-Even Snap Switch	44A	46552	Main Shaft—100 Selection
10	ST-2566	8-32x1/4 Hex Fig. Whiz Lock	28	ST-9861	Cable Clamp	45	ST-9194	Retaining Ring
11	46378	Rest Bracket—Gripper Arm	29	30368	Service Scan Switch	46	43313	Drive Gear
12	ST-2566	8-32x1/4 Hex Fig. Whiz Lock	30	ST-2555	6-32x1/4 Hex Fig. Whiz Lock	47	ST-3509	1/4-20x5/16 Hex Socket Set Screw
13	41369-A	Linkage—Gripper & Dog Assembly—160 Selection	31	38711	Scan Switch Knob	48	ST-8722	10-32 Hex Fig. Whiz Lock
13A	34666-A	Linkage—Gripper & Dog Assembly—100 Selection	32	ST-2578	10-32x3/8 Hex Fig. Whiz Lock	49	47061	Magazine Label—160 Selection
14	34317	Odd-Even Alternating Dog	33	39082	Main Shaft Collar	49A	47197	Magazine Label—100 Selection
15	ST-9249	"E" Ring	34	ST-332	Flat Washer	50	ST-4862	Shakeproof Lock Washer
16	ST-9825	Keeper	35	ST-2557	6-32x3/8 Hex Fig. Whiz Lock	51	35813	Drive Bracket Screw
17	39259	Stud—Gripper Reversing Brkt. 160 Selection	36	ST-399	Flat Washer	52	39085-1	Mechanism Mtg. Plate Bearing
17A	34422	Stud—Gripper Reversing Brkt. 100 Selection	37	ST-2586	10-32x1-1/2 Whiz Lock	53	39086-1	Main Bearing—Selector Side
18	ST-8722	10-32 Hex Fig. Whiz Lock	38	ST-8717	10-32 Hex Whiz Lock Nut	54	46559	Spacer Bushing
19	ST-2588	1/4-20x3/8 Whiz Lock	39	ST-2274	10-32x3/16 Allen Set Screw			
					MAGAZINE ASSEMBLY—160 No. 47070-A			
					MAGAZINE ASSEMBLY—100 No. 47185-A			

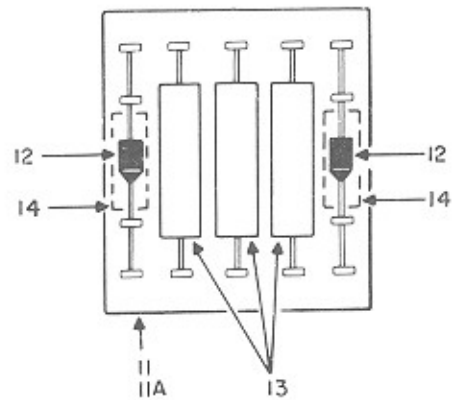
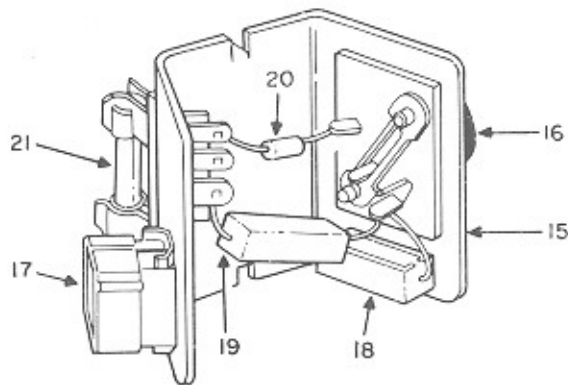
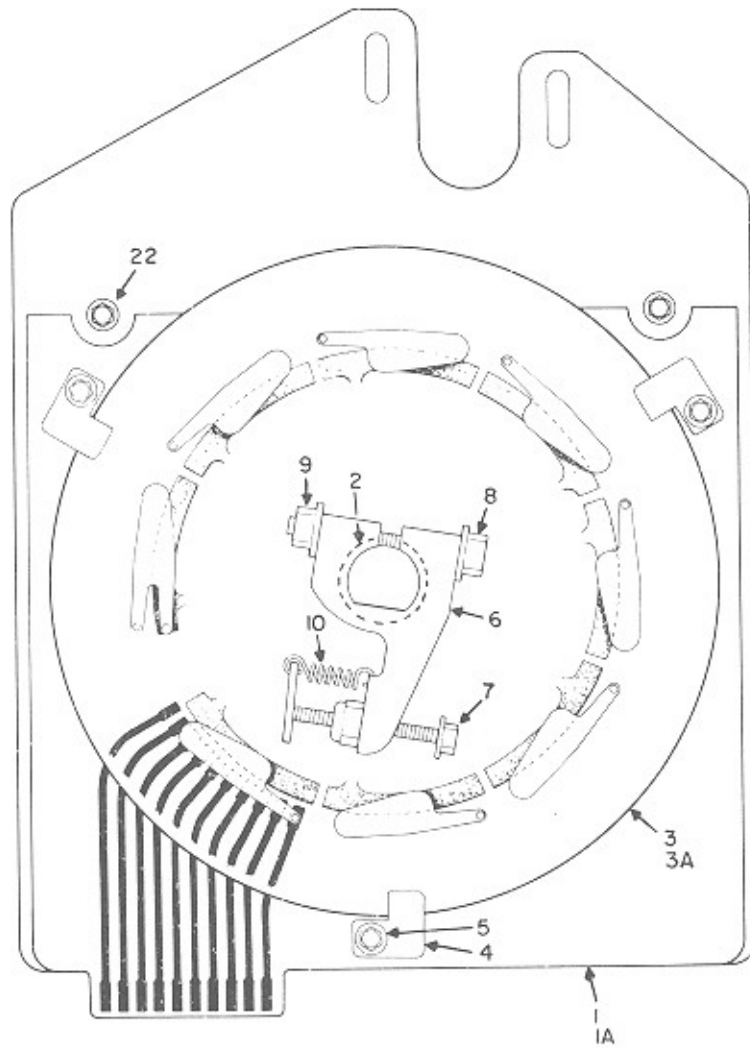


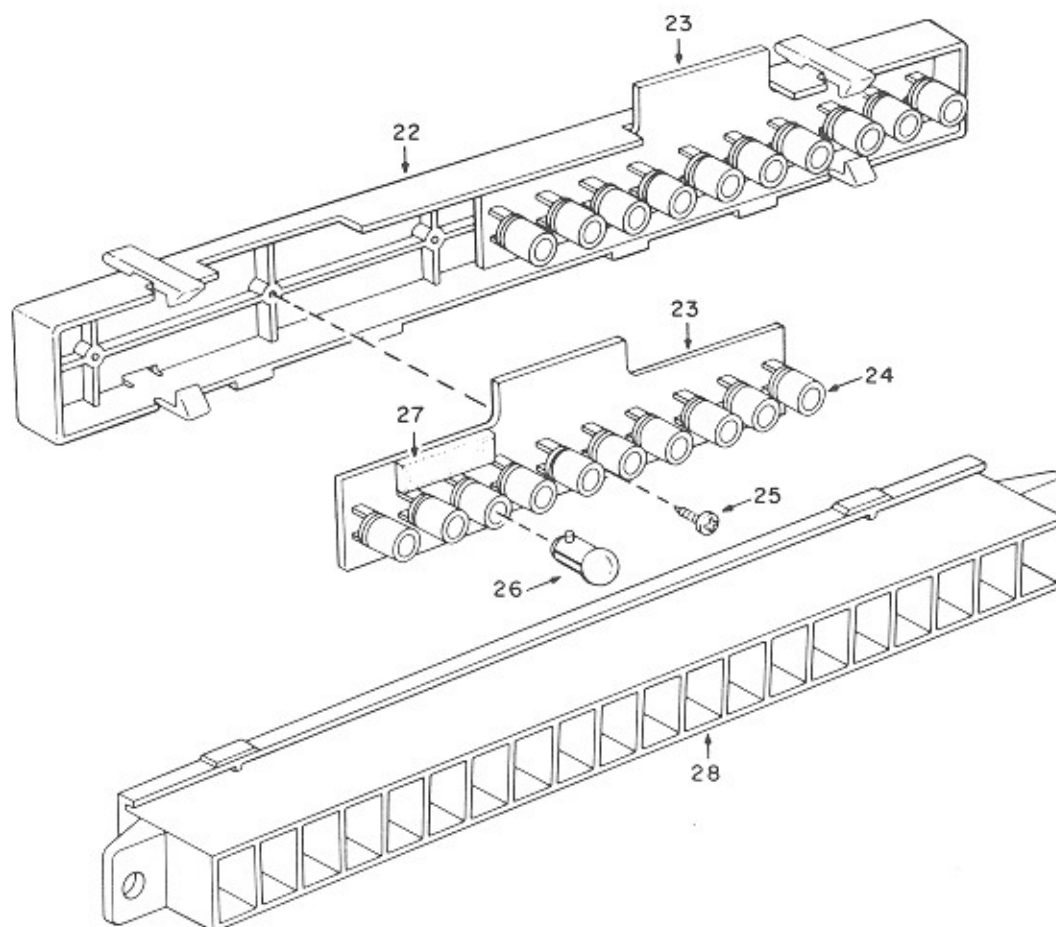


MECHANISM ASSEMBLY—CONTINUED

Item	Part No.	Description	Item	Part No.	Description
1	46369-A	Electric Counter Assembly	24	34871	680 Ohm 5 Watt Resistor 10%
2	ST-8258	6-32x3/8 Hex Flg.	25	ST-2576	10-32x1/4 Hex Flg. Whiz Lock
3	39120-3	Record Guard Steel Band — 160 Sel.	26	43494	Micro Switch Insulator
4	34395-1	Record Guard Steel Band — 100 Sel.	27	43414	SPDT Enclosed Snap Switch
5	ST-2566	8-32x1/4 Hex Flg. Whiz Lock	28	ST-6551	#4-36x9/16 Phil. Pan H.M.S.
6	34363	Gripper Motor Mounting Bracket	29	ST-6552	#4-36x1" Phil. Pan H.M.S.
7	47698-A	Gripper Drive Motor Assembly Complete (w/o Filter)	30	43493-1	Micro Safety Cam
8	ST-2589	1/4-20x1/2 Hex Flg. Whiz Lock	31	ST-2253	10-32x1/4 Allen Hd. Set Scr.
9	ST-2588	1/4-20x3/8 Hex Flg. Whiz Lock	32	47192-A	Micro Switch Cable Assembly
10	47699-A	Magazine Drive Motor Complete (w/o Filter)	33	ST-3604	Black Nylon Clamp
10A	34308	Magazine Drive Pinion Gear	34	11681	Jiffy Wire Clip
11	34309	Gripper Motor Gear	35	ST-2576	10-32x1/4 Hex Flg. Whiz Lock
12	ST-530	1/8x3/4 Spirol Pin	36	34391-1	Pawl Lever Pivot Arm
13	43492	Micro Switch Mounting Plate	37	34427	Pawl Guide Stud
14	ST-2578	10-32x3/8 Hex Flg.	38	ST-9827	Keeper
15	ST-512	#10x3/8 R.H. Grooved Drive Stud	39	39179	Rocker Arm Return Spring
16	46389-A	Rocker Arm Mounting Bracket Assembly	40	45716	Motor Brush—Gripper & Magazine Motor
17	36728-1A	Rocker Arm & Pawl Riveting Assembly	41	45717	Motor Brush Cap
18	ST-9825	Keeper	42	47034	Armature—Gripper & Magazine Motor
19	ST-2566	8-32x1/4 Hex Flg. Whiz Lock	43	45719	Nylon Gear & Shaft—Gripper & Magazine Motor
20	39117	Push Rod—Rocker Arm 160 Sel.	44	45528	Trust Bearing
21	34401	Push Rod—Rocker Arm 100 Sel.	45	45826	Brush Holder
22	40212	Spring—Rocker Arm 160 Sel.	46	34728-1A	Spring Bolt Assembly
23	34945	Spring—Rocker Arm 100 Sel.	47	34405	Chassis Spring—4 Black—100 Sel.
	ST-347	Flat Washer	47A	39680	Chassis Spring—4 Red 160 Sel.
	ST-9826	Keeper			
	40180-2A	Write-In Motor Assembly—160 Sel.			
	40675-2A	Write-In Motor Assembly—100 Sel.			

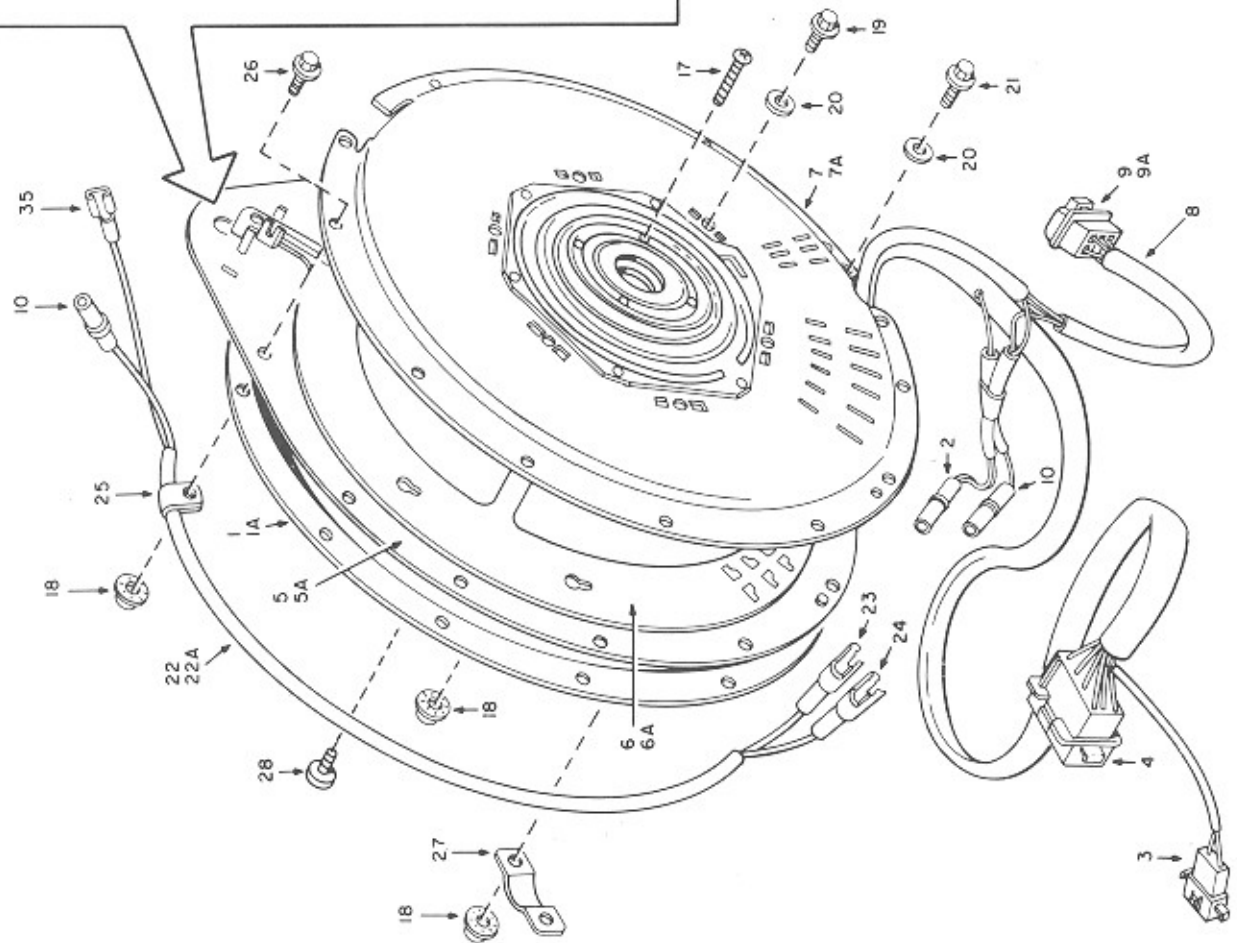
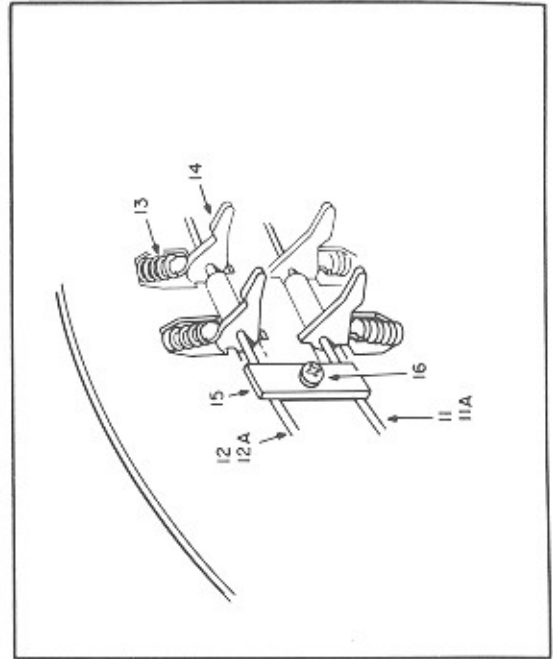
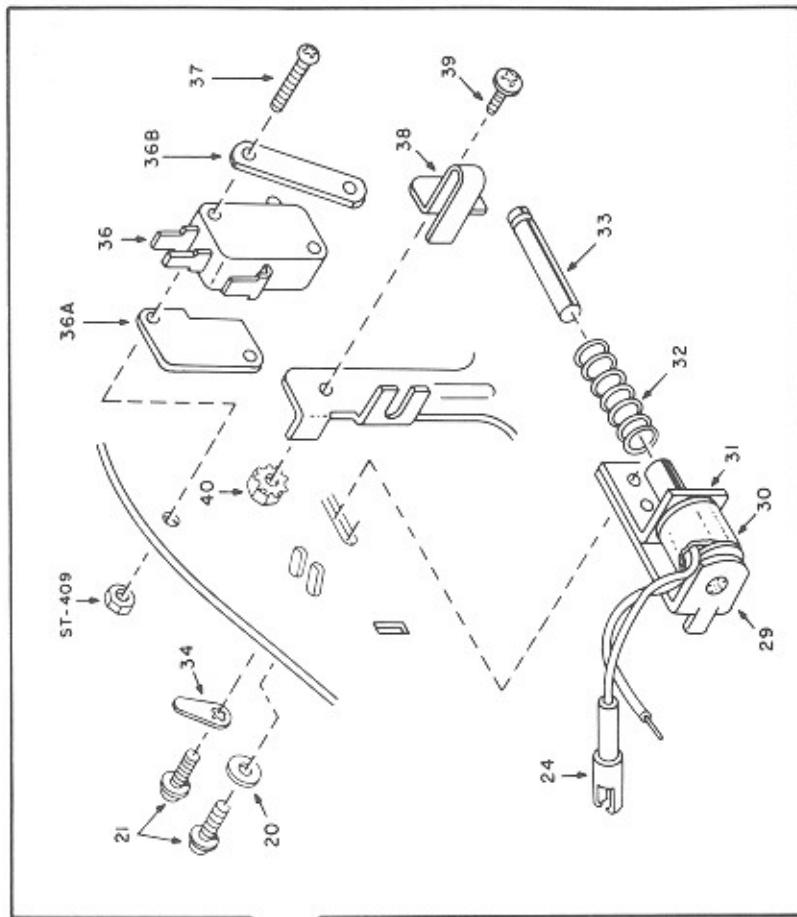






**SELECTION NOW PLAYING INDICATOR PARTS
Mechanism and Dome Assemblies (160-100)**

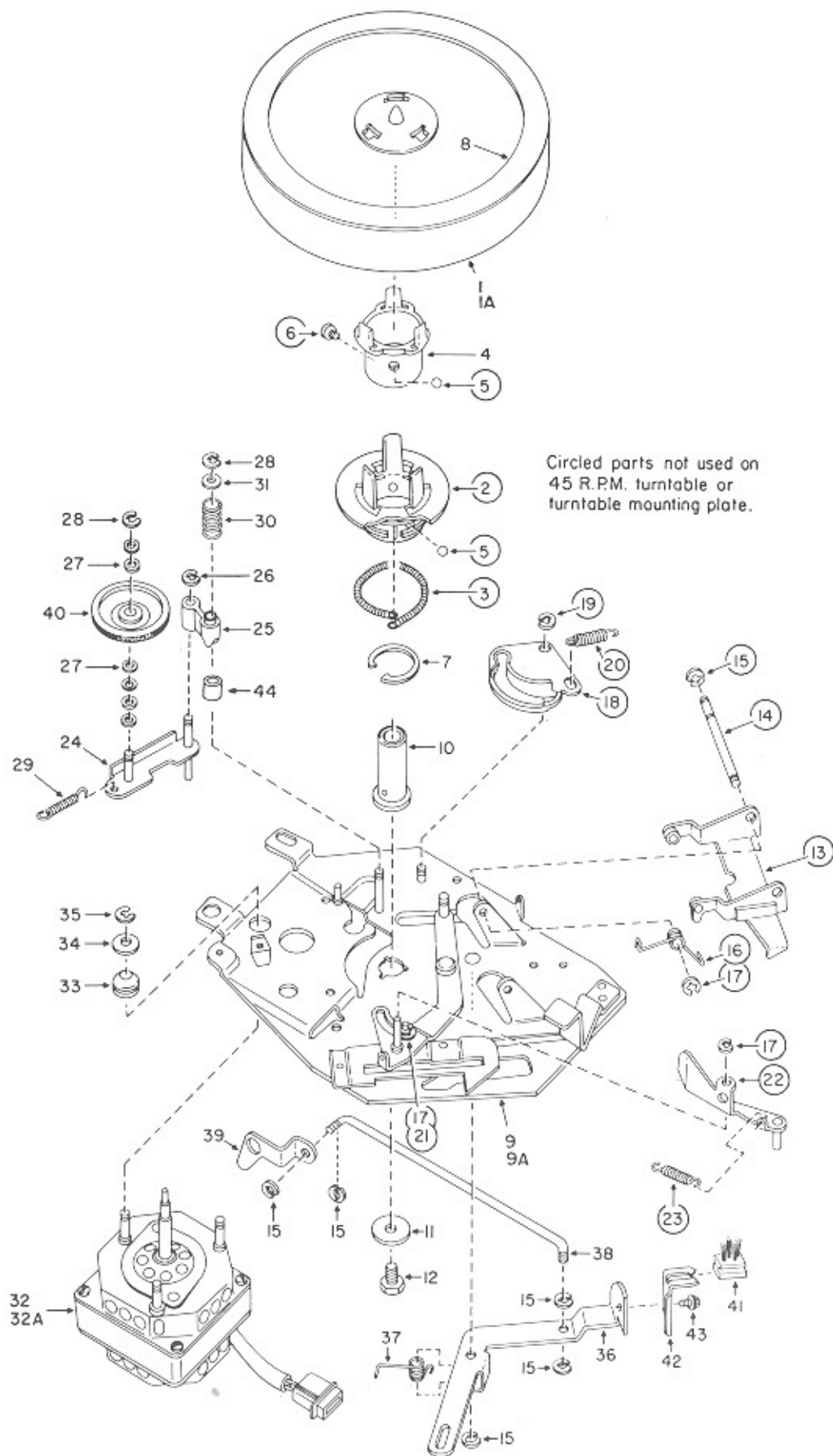
Item	Part No.	Description	Item	Part No.	Description
1	46358-1A	P.C. Brd. Riv. Assembly (160)	15	46985-A	Transistor Mtg. Brkt. Assem.
1A	47347-A	P.C. Brd. Riv. Assembly (100)	16	43506	Power Output Transistor
2	46559	Bushing		48098	Insulator—Power Insulator
3	46374-A	Mtg. Pl't & Wiper Assem. (160)		46916	Fiber Washer
3A	46757-A	Mtg. Pl't & Wiper Assem. (100)	17	V-7030	6 Cir. M.N.L. Pin Hsg. White
4	46554	Guide Block		V-7053	M.N.L. Pins
5	ST-8262	6-32x3/4 Hex Hd. Screw	18	40248-1	250 Ohm 5 Watt Resistor
6	46732-A	Drive Bracket—Wiper Assem.	19	46615	150 Ohm 3 Watt Resistor
7	ST-6534	8-32x1 1/4 Phil. P.H.M.S.	20	46497	1 Amp Min. Silicon Rectifier
8	ST-2586	10-32x1 1/2 Hex Flg. W.L.	21	ST-4330	1/4 Amp Slo-Blo Fuse
9	ST-8722	10-32 Flg. Whiz Lock Nut	22	46997	Lite Box Cover
10	37672	Tension Spring	23	47191-A	Lite P.C. Board Assembly
11	47738-A	Resistor—Rectifier Brd. Assem.	24	46496	Lite Socket
11A	46736	14 Lug Terminal Brd.	25	ST-9735	4x5/16 Phil. P.H.
12	44875	Silicon Rectifier	26	46739	#53 Bulb
13	47737	220 Ohm 7 Watt Resistor	27	45191	Rubber Cushion
14	ST-9620	Clear Plastic Tubing 7/8"	28	46996	Play Indicator Lite Box Cover



**SELECTOR ASSEMBLY—160 SELECTION No. 47080-A
SELECTOR ASSEMBLY—100 SELECTION No. 47215-A**

Item	Part No.	Description	Item	Part No.	Description
1	47243-A	Selector Cover Write-In Wiring Assembly—160 Selection	19	ST-2562	6—32x7/8 Slot Hex Fig. Whiz Lock Nut
1A	47244-A	Selector Cover Write-In Wiring Assembly—100 Selection	20	ST-332	Flat Washer
2	V-9838	1 Circuit M-N-L Socket Housing—Red	21	ST-2556	6—32x5/16 Hex Fig. Whiz Lock
3	47292	3 Circuit M-N-L Pin Hsg.—160 only	22	42395-A	M-N-L Cable Assembly—160
4	47294	21 Circuit M-N-L Pin Hsg.	22A	42311-A	M-N-L Cable Assembly—100
5	47172-A	Selector Center Assembly—160	23	V-9839	1 Circuit M-N-L Pin Housing—Red
5A	47226-A	Selector Center Assembly—100	24	V-9839	1 Circuit M-N-L Pin Housing—White
6	41384-2	Wobble Plate—160	25	ST-3605	Black Nylon Clamp—1/4"
6A	41536-1	Wobble Plate—100	26	ST-2559	6—32x1/2 Hex Fig. Whiz Lock
7	47173-A	Selector Cover Read-Out Assembly—160	27	39013	Selector Cable Clamp
7A	47227-A	Selector Cover Read-Out Assembly—100	28	ST-2556	6—32x5/16 H. Fig. W.L.
8	42394-A	6 Conductor Cable & Housing Assembly	29	39785-1A	Sol. Coil Support Rivet Assembly—160 only
9	V-7004	6 Circuit M-N-L Pin Housing—Green	30	34556-1	Solenoid Coil
9A	V-7053	M-N-L Pin	31	34448	Solenoid Bracket
10	V-9838	1 Circuit M-N-L Socket Housing—White	32	34559	Return Spring
11	39015	Inside Key Shaft—160	33	34449	Solenoid Armature
11A	34428	Inside Key Shaft—100	34	ST-2620-1	#6 Shakeproof Terminal Lug
12	39016	Outside Key Shaft—160	35	41898	Faston Receptacle
12A	34429	Outside Key Shaft—100	36	42397	Micro Switch
13	34437	Selector Lever Spring	36A	45389	Micro Switch Insulator
14	34334-1	Selector Key	36B	45395	Switch Hold Down Plate
15	34400	Key Shaft Keeper	37	ST-4591	4—36x5/8 Phil. P.H.M.S.
16	ST-6335	6—32x3/16 Phil. P.H.M.S.	38	42299	Switch Actuating Spring
17	ST-7238	6—32x3/4 Phil. Fillister H.M.S.	39	ST-6317	5—40x1/4 Phil. R.H.M.S. Sems Int.
18	ST-8720	6—32 Hex Fig. Whiz Lock Nut	40	ST-3457	5—40 Keps Nut





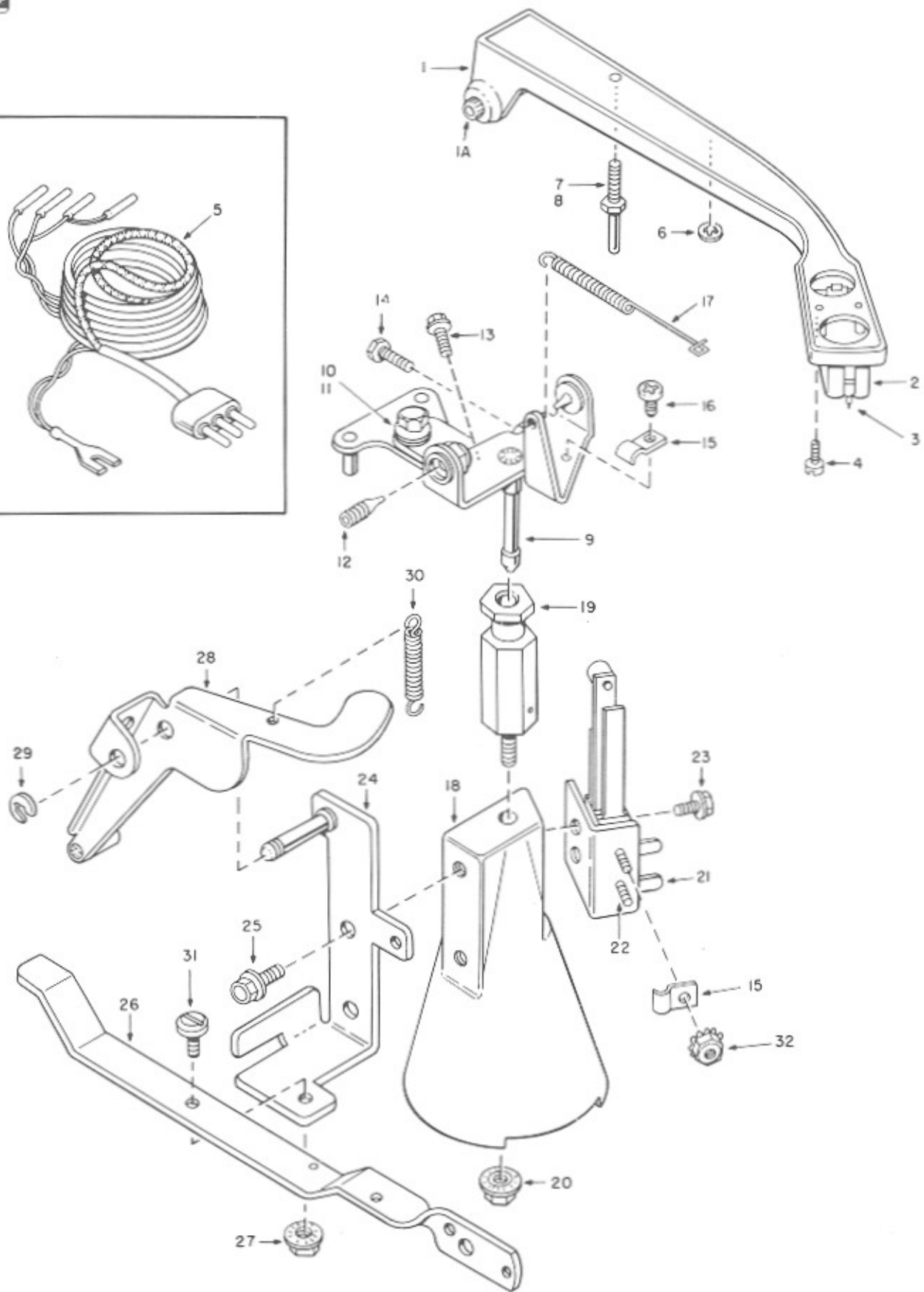
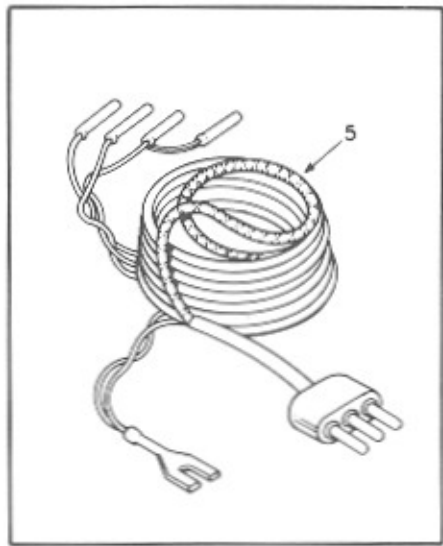


45 R.P.M. TURNTABLE ASSEMBLY COMPLETE No. 49760-A
33 $\frac{1}{3}$ -45 R.P.M. TURNTABLE ASSEMBLY COMPLETE No. 40155-6A

Item	Part No.	Description
1	35770-5A	Turntable Assembly 33 1/3-45 R.P.M.
1A	49761-A	Turntable Assembly 45 R.P.M.
2	36153-A	Sensor & Pin Assembly
3	36452	Sensor Spring
4	35766	45 R.P.M. Record Hub
5	ST-1214	.156 Diameter Steel Ball
6	35769	Sensor Stop Stud
7	ST-9264	Truarc "E" Ring
8	35826	Turntable Ring

45 R.P.M. - 60 HZ TURNTABLE MOUNTING PLATE ASSEMBLY No. 48410-A
45 R.P.M. - 50 HZ TURNTABLE MOUNTING PLATE ASSEMBLY No. 48415-A
33 $\frac{1}{3}$ -45 R.P.M. - TURNTABLE MOUNTING PLATE ASSEMBLY (Less Motor) No. 48145-A

9	46399-1A	Turntable Mounting Plate Riveting Assembly 33 1/3-45
9A	48440-A	Turntable Mounting Plate Riveting Assembly 45 R.P.M.
10	46294	Turntable Bearing
11	ST-4808	Flat Washer
12	46296	Turntable Shaft Bearing
13	36160-A	Lifter Bracket Riveting Assembly
14	358071-1	Pivot Stud
15	ST-9825	Keeper
16	35819	Lifter Spring
17	ST-9851	Truarc "E" Ring
18	35776	Idler Cam
19	ST-9263	Truarc "E" Ring
20	35828	Idler Cam Spring
21	ST-4875	Flat Washer
22	36162-1A	Sensor Riveting Assembly
23	35829	Sensor Lever Spring
24	36166-A	Idler Link Riveting Assembly
25	35830	Link Toggle
26	ST-9262	Truarc "E" Ring
27	36291	Fiber Washer
28	ST-9266	Truarc "E" Ring
29	35832	Idler Spring
30	35821	Idler Lifter Spring
31	35833	Cup Washer
32	47169-A	Turntable Motor Assembly - 60 HZ
32A	47203-A	Turntable Motor Assembly - 50 HZ
33	18849	Turntable Grommet
34	ST-4813	Flat Washer
35	ST-9263	Truarc "E" Ring
36	48487	Bell Crank
37	36403	Bell Crank Spring
38	36295-1	Drive Rod
39	36294	Drive Bracket
40	35831	Idler
41	17008	Brush
42	48489	Brush Holder
43	ST-8296	6-32x1/4 Hex Flg.
44	48572	Toggle Link Spacer - 45 R.P.M. Only



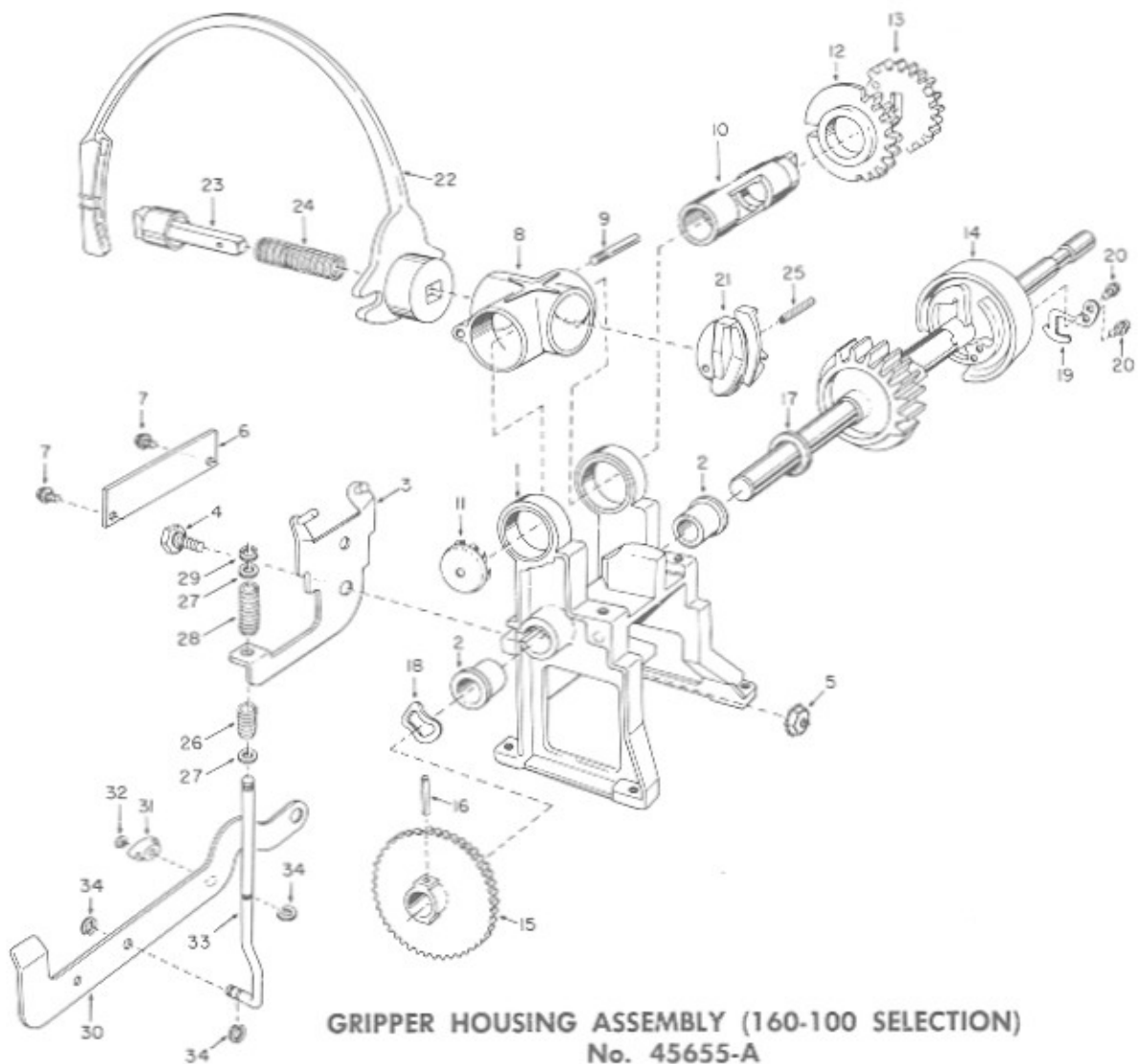


STONE ARM ASSEMBLY—MAGNETIC
No. 47115-A (160-100 SELECTION)

Item	Part No.	Description
1	41611-A	Tone Arm & Pivot Shaft Assembly
1A	41435	Tone Arm Pivot Shaft
2	43467	M44M-R Shure Pickup Cartridge (Special)
3	43469	Stylus
4	ST-6564	4-40x3/8 Phil. F.H.M.S.
5	47178-A	Dual Input Cable
6	ST-314	Shakeproof Lockwasher
7	41446	Tone Arm Rest Pin
8	ST-423	5-40 Hex Nut
9	41608-A	Pivot Bracket Riveting Assembly
10	ST-399	Flat Washer
11	ST-2576	10-32x1/4 Slot Hex Fig.
12	41433	Tone Arm Pivot Screw
13	ST-2547	5-40x3/8 Slot Hex Fig.
14	ST-2520	6-32x1/2 Hex Hd.
15	17011	Wire Clip
16	ST-4574	5-40x3/16 Phil. P.H.M.S.
17	41758	Tone Arm Spring

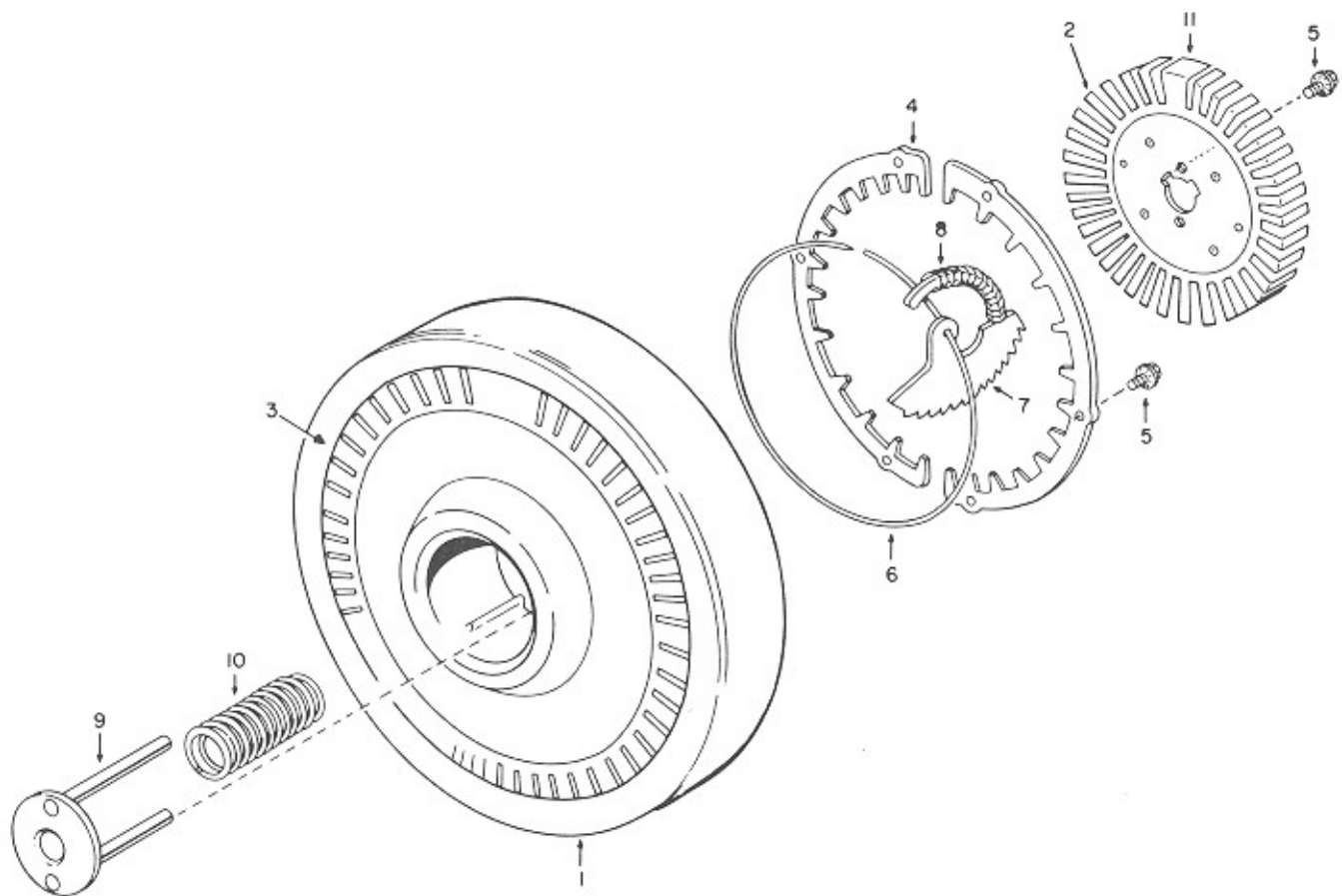
STONE ARM BASE ASSEMBLY No. 42332-2A (160-100 SELECTION)

18	41366	Tone Arm Base
19	41612-A	Pivot Bushing & Ball Assembly
20	ST-8717	10-32 Hex Whiz Lock Nut
21	41649-2A	Tone Arm Switch & Bracket Assembly
22	ST-4568	5-40x5/8 Phil. P.H.M.S.
23	ST-2555	6-32x1/4 Slot Hex Fig.
24	41610-A	Support Bracket & Stud Assembly
25	ST-2566	8-32x1/4 Slot Hex Fig.
26	34391-1	Pawl Lever Pivot Arm
27	ST-8720	6-32 Fig. Whiz Lock Nut
28	41609-A	Lifter Lever & Cam Pin Assembly
29	ST-9825	Keeper
30	34444	Lifter Lever Spring
31	34427	Pawl Guide Stud
32	ST-8720	6-32 Fig. Hex Whiz Lock Nut



**GRIPPER HOUSING ASSEMBLY (160-100 SELECTION)
No. 45655-A**

Item	Part No.	Description	Item	Part No.	Description
1	45421	Gripper Housing	19	17524	Tone Arm Cam Keeper Spring
2	45422	Gripper Housing Bearing	20	ST-2555	6-32x1/4 Hex Flg. Whiz Lock
3	34609-A	Brkt. Gripper Rev. Rivet Assem.	21	34323-6A	Cam-Gripper Reversing Assem.
4	34422	Stud-Gripper Rev. Brkt.	22	34322-5A	Gripper Arm Assembly
5	ST-8722	10-32 Flg. Whiz Lock Nut	23	34314-A	Inner Gripper Assembly
6	34371	Reversing Brkt. Ret. Strip	24	39775	Spring - Gripper
7	ST-2568	8-32x3/8 Hex Flg. Whiz Lock	25	ST-534	Spirol Pin - Medium Duty
8	34315-6	Gripper Spider	26	34864	Spring - Connecting Rod - Lower
9	34421	Gripper Stop Pin	27	ST-4853	Flat Washer
10	34399	Trunnion Shaft	28	34447	Spring - Connecting Rod - Upper
11	34877	Trunnion Shaft Button	29	ST-9825	Keeper
12	34312-1	Gripper Turnover Gear	30	41369-A	Linkage - Gripper & Dog Assem. (160)
13	36308-1A	Gripper Release Gear Assem.		34666-A	Linkage - Gripper & Dog Assem. (100)
14	43359-1A	Gripper Shaft Assem.	31	34317	Odd-Even Alternating Dog
15	34310	Gripper Shaft Gear	32	ST-9249	"E" Ring
16	ST-519	Spirol Pin - Heavy Duty	33	39115	Connecting Rod - Gripper Linkage (160)
17	34929	Gripper Shaft Thrust Washer		34398	Connecting Rod - Gripper Linkage (100)
18	ST-4828	Spring Washer	34	ST-9825	Keeper

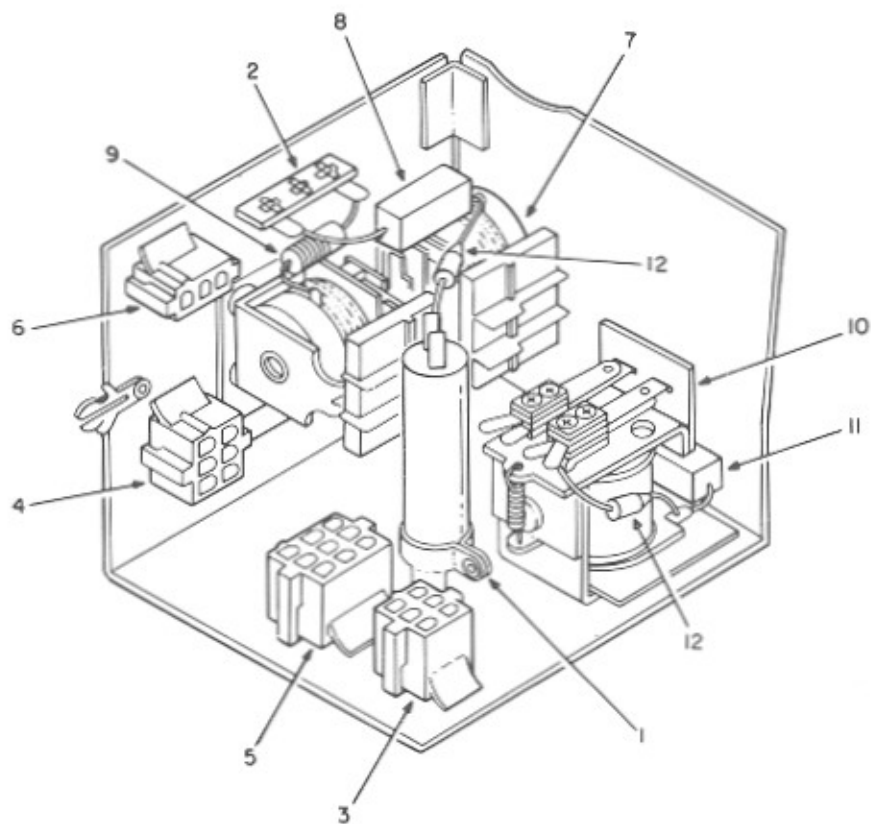


POP COUNTER ASSEMBLY—160 SELECTION
No. 47075-1A

POP COUNTER ASSEMBLY—100 SELECTION
No. 47195-A

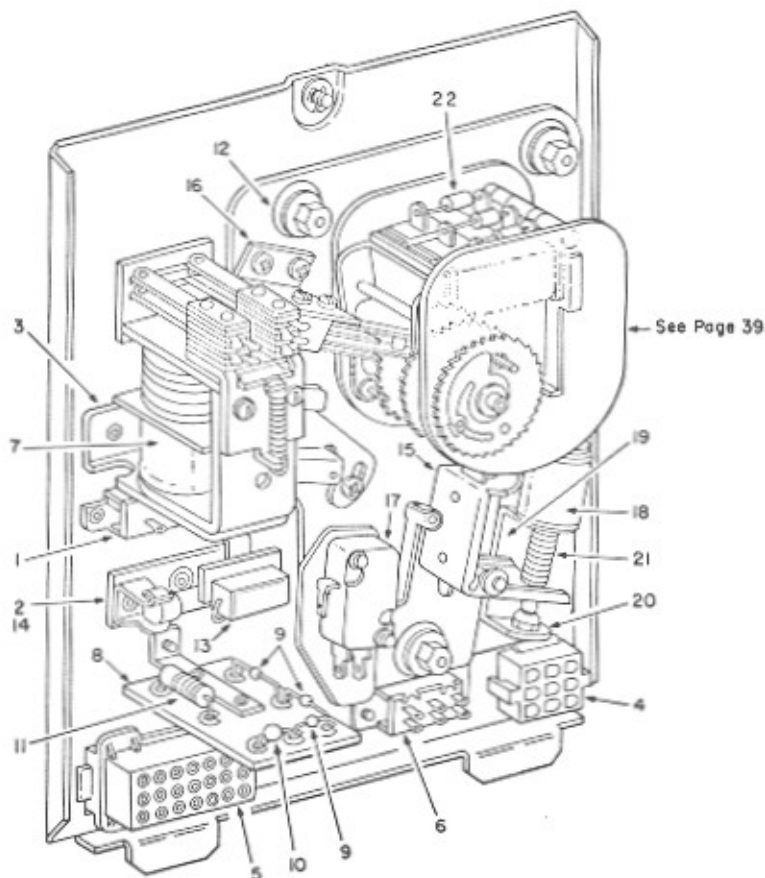
Item	Part No.	Description
1	47176-A	Pop Counter Casting & Label Assembly
2	39069	Pop Counter Comb
3	47062	Pop Counter Label
4	39066	Wire Retainer
5	ST-2546	5-40x1/4 Slot Hex Flg.
6	39067	Pop Counter Lock Wire
7	36521-1	Pop Counter Indicator
8	34443	Indicator Compression Spring
9	36717-A	Reset Button Assembly
10	38727	Reset Button Spring
11	39073-A	Reset Ring Riveting Assembly

Item	Part No.	Description
1	47199-A	Pop Counter Casting & Label Assembly
2	36529	Pop Counter Comb
3	47198	Pop Counter Label
4	36532	Wire Retainer
5	ST-2546	5-40x1/4 Slot Hex. Flg.
6	36533	Pop Counter Lock Wire
7	36521-1	Pop Counter Indicator
8	34443	Indicator Compression Spring
9	36717-A	Reset Button Assembly
10	38727	Reset Button Spring
11	36716-A	Reset Ring Riveting Assembly



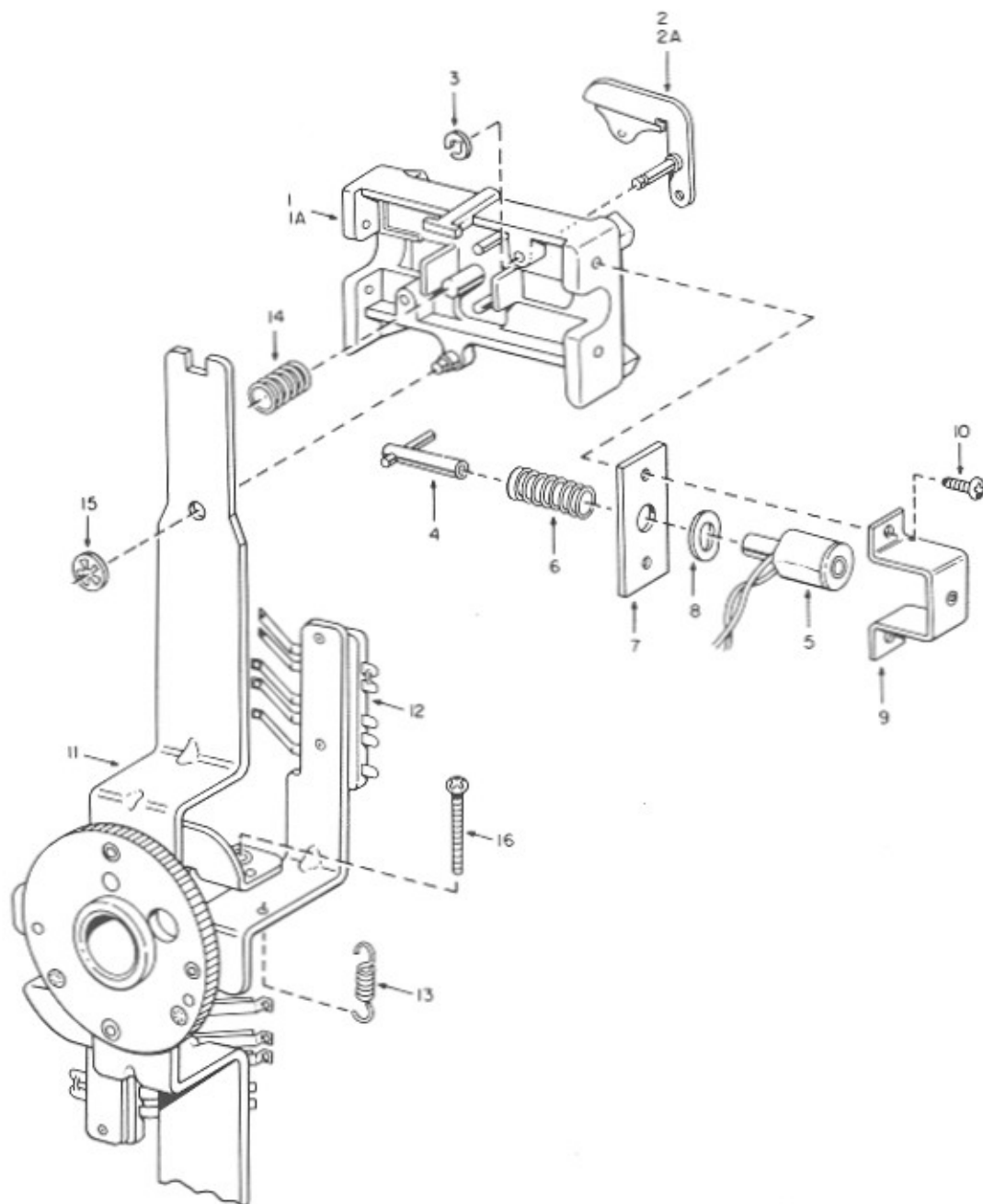
**CONTROL BOX ASSEMBLY (160-100 SELECTION)
No. 40697-4A**

Item	Part No.	Description
1	44009	Standee Resistor 15 ohm-10 Watt
2	39705	3 Lug Terminal Strip
3	V-7005	6 Circuit M-N-L Socket Housing-White
4	V-7005	6 Circuit M-N-L Socket Housing-Red
5	V-7013	9 Circuit M-N-L Socket Housing-White
6	V-7047	3 Circuit M-N-L Socket Housing-White
7	36453-1	D.C. Interlock Relay
8	36454	60 Ohm 5 Watt Resistor-10%
9	33248	47 Ohm 1 Watt Resistor-10%
10	35114	Gripper Reverse Relay
11	34871	680 Ohm 5 Watt Resistor-10%
12	46497	100 PRV Miniature Rectifier
		NOT SHOWN
	44452-1	Control Box Cover



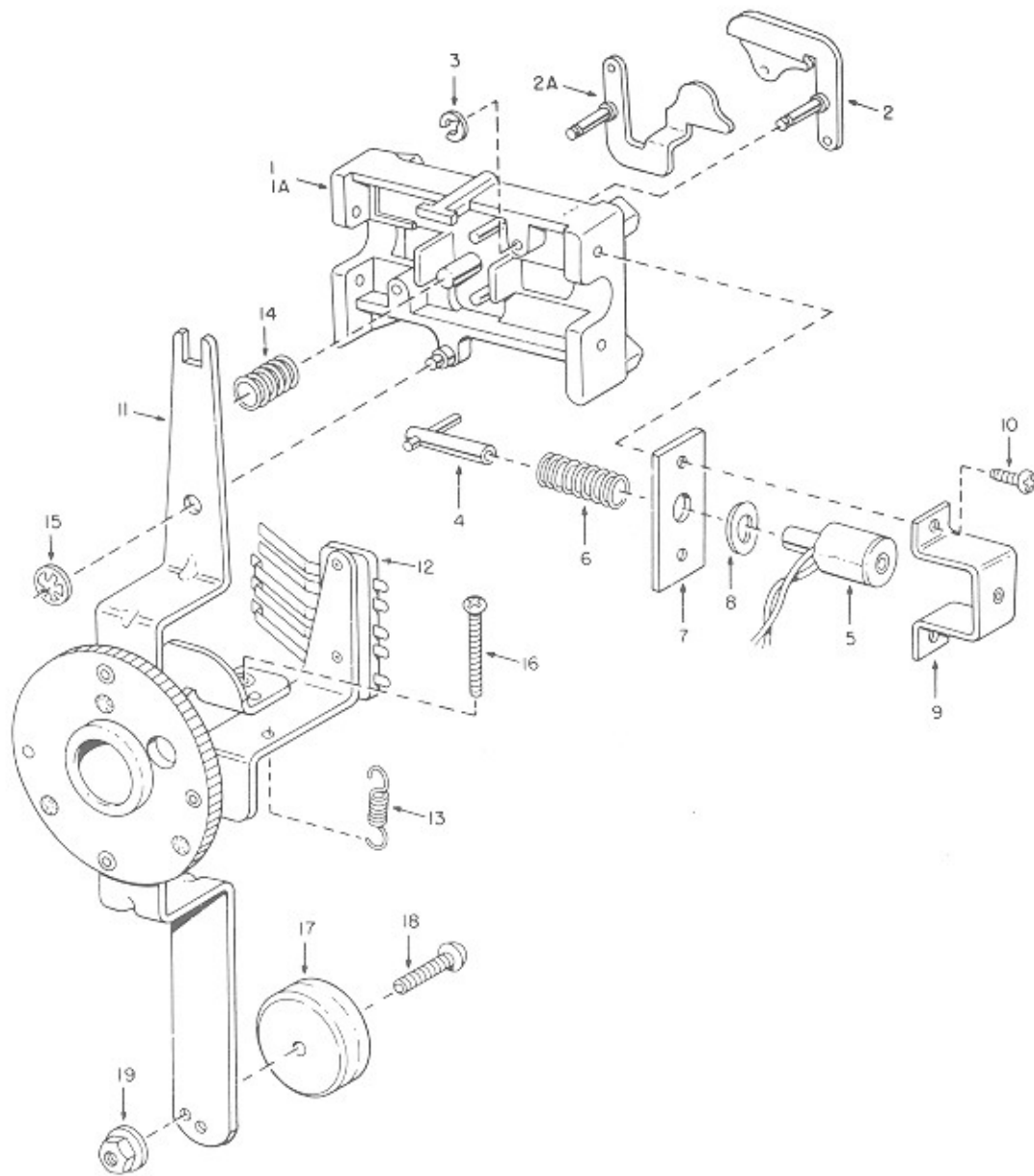
**CREDIT UNIT — STD
No. 48335-A**

Item	Part No.	Description	Item	Part No.	Description
1	43932	Slide Switch — Spring Return	15	37664-A	Reset Guide & Pawl Assem.
2	49307	Fuse Holder		37567	Reset Pawl Guide
3	49103	Relay Bracket		17982	Pawl—Reset
4	V-7013	9 Cir. M-N-L Soc. Hsg.		14028	Compression Spring
5	47294	21 Cir. M-N-L Pin Hsg.		ST-9825	Keeper
6	49302	Slide Switch	16	34000-1A	Control Sw. & Brkt. Assem.
	43898	Slide Switch Lock Plate	17	49474	Switch
	ST-4559	6—32 3/16 P.P.H.M.S.		49108	Switch Shim
7	35138-2	Attract Delay Relay		V-12228	Tapping Plate
8	49185-A	Cone Board Assem.		ST-10247	#4 5/8 Hex Washer Hd.
9	47972	200 PRV 1.5 Amp. Rect.	18	49303	Reset Coil
10	48214	100 PRV 3 Amp. Rect.	19	37634-A	Reset Coil Brkt. & Stop Assem.
11	35328	1500 Ohm 1 Watt Resistor		37556	Reset Coil Bracket
12	44517	Mounting Grommet		39784	Armature Back Stop
	44518	Grommet Spacer	20	49173-A	Reset Coil Brkt. & Nut Assem.
	ST-2571	8—32x3/4 Hex Flg. Whiz Lock	21	37570-1	Plunger
	ST-8721	8—32 Hex Flg. Whiz Lock		34559	Return Spring
13	47059	120 Ohm 5 Watt Resistor	22	46497	100 PRV 1 Amp. Sil. Rect.
14	ST-4330	1/4 Amp. Slo-Blo Fuse			



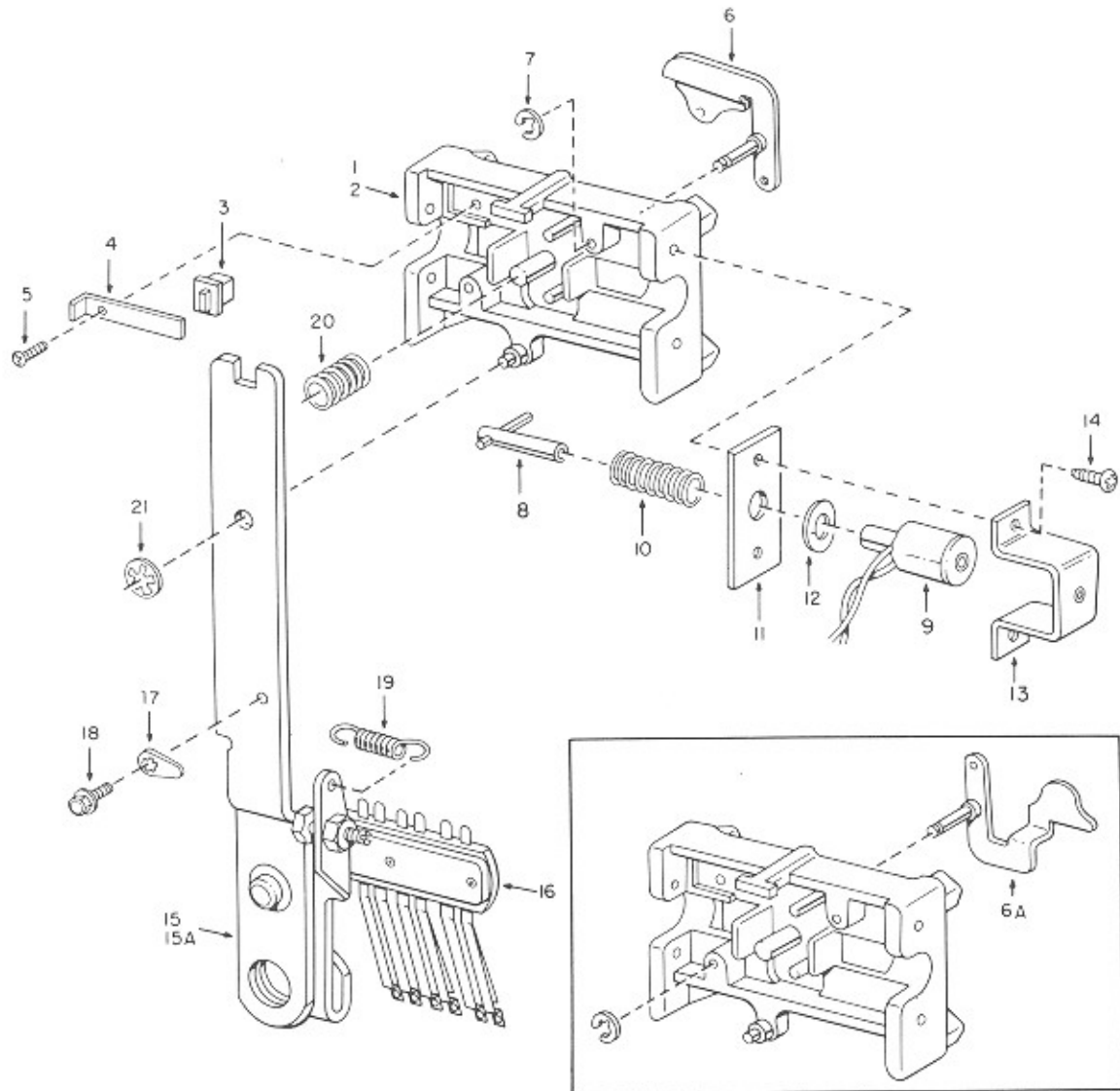
**WRITE-IN CARRIAGE AND ARM ASSEMBLY-160 SELECTION
No. 48325-A**

Item	Part No.	Description	Item	Part No.	Description
1	49170-A	Carriage Assembly	8	ST-4856	Spring Washer
1A	48924	Carriage Housing	9	34626-A	Coil Housing Brkt. Assem.
2	48952	Outside Key Lever	10	ST-8210	6-32x7/16 P.P.H.S.T.
2A	48953	Inside Key Lever	11	42331-A	Write-In Arm Rivet Assem.
3	ST-9825	Keeper	12	39006	Write-In Wiper
4	34622-A	Coil Armature & Pin Assem.	13	37672	Page Spring
5	34557-1	Carriage Coil	14	34473	Carriage Pressure Spring
6	34472	Armature Return Spring	15	ST-9247	Truarc Self Locking Ring
7	34386	Coil Pad	16	ST-4560	10-32 1-1/4 P.P.H.M.S.



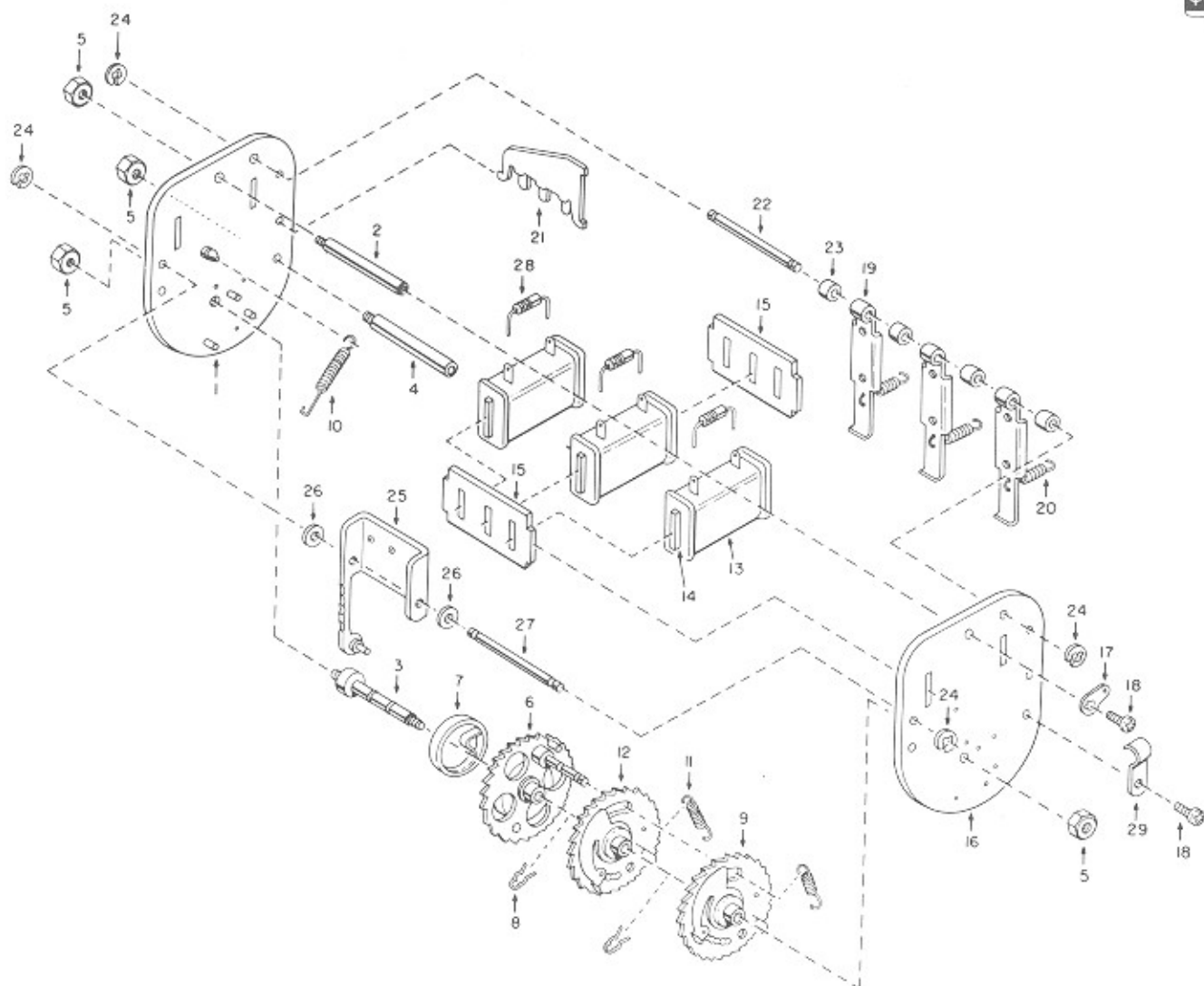
**WRITE-IN CARRIAGE AND ARM ASSEMBLY—100 SELECTION
No. 48655-A**

Item	Part No.	Description	Item	Part No.	Description
1	49170-A	Carriage Assembly	10	ST-8210	6-32x7/16 P.P.H.Self Tap
1A	48924	Carriage Housing	11	42321-A	Write-In Arm Rivet Assem.
2	48952	Outside Lever	12	34392	Write-In Wiper
2A	48953	Inside Lever	13	37672	Page Spring
3	ST-9825	Keeper	14	34917	Carriage Pressure Spring
4	34622-A	Coil Armature & Pin Assem.	15	ST-9247	Truarc Self Locking Ring
5	34557-1	Carriage Coil	16	ST-4562	10-32x1 P.H.M.S.
6	34472	Armature Return Spring	17	34779	Counter Balance Weight
7	34386	Coil Pad	18	ST-6573	10-32x7/8 P.P.H.M.S.
8	ST-4856	Spring Washer	19	ST-8722	10-32 Hex Whiz Lock Nut
9	34626-A	Coil Housing Brkt. Assem.			



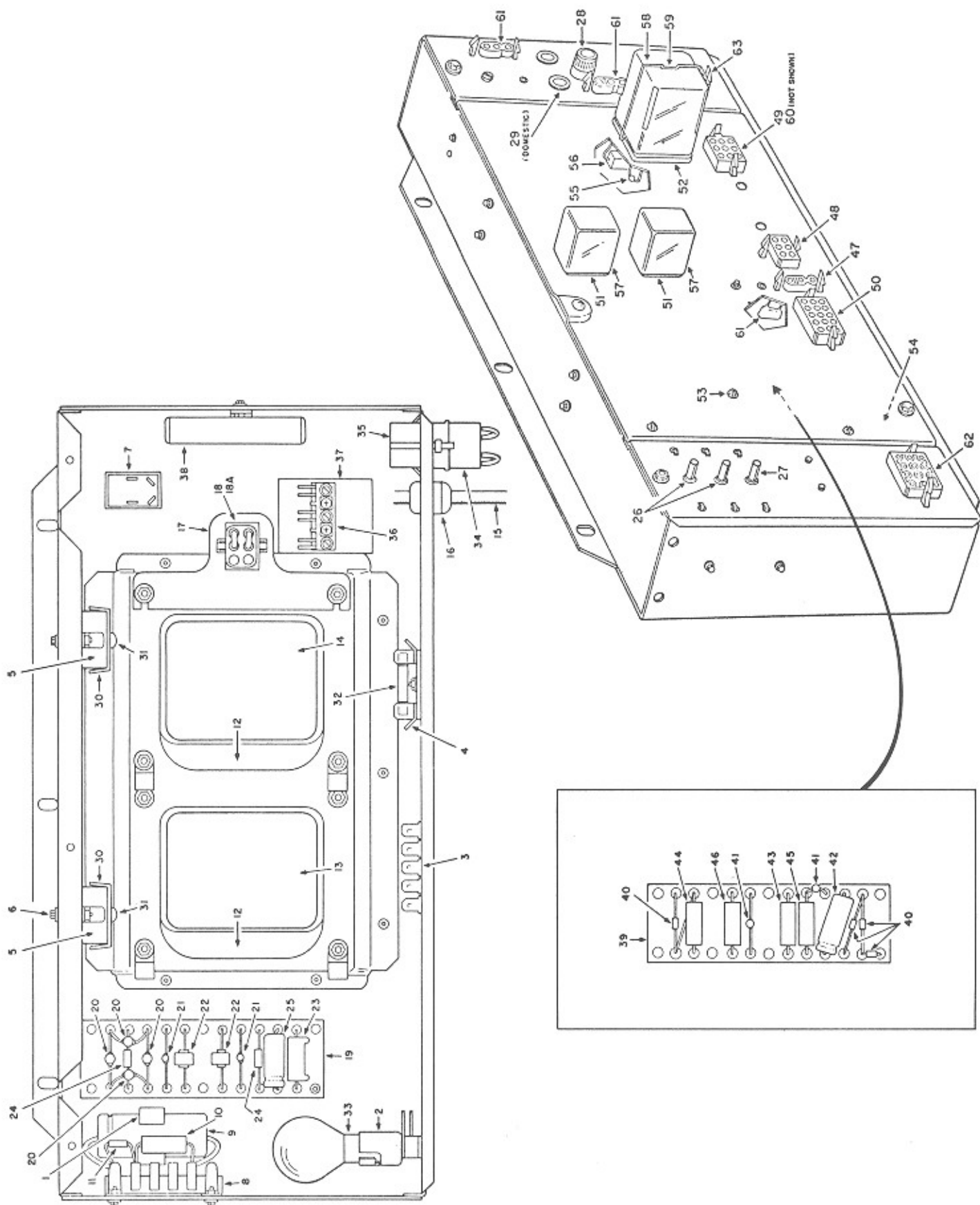
READ-OUT CARRIAGE AND ARM ASSEMBLY—160 SELECTION No. 48330-A
READ-OUT CARRIAGE AND ARM ASSEMBLY—100 SELECTION No. 48660-A

Item	Part No.	Description	Item	Part No.	Description
1	49175-A	Carriage Assembly	12	ST-4856	Spring Washer
2	48924	Carriage Housing	13	34626-A	Coil Housing Brkt. Assem.
3	17946-1A	Contact Assembly	14	ST-8210	6-32x7/16 P.P.H.
4	343821-A	Contact Spring Retainer	15	41393-A	Read-Out Arm Assem. (160)
5	ST-7250	3-48x3/16 P.P.H.M.S.	15A	41565-A	Read-Out Arm Assem. (100)
6	48952	Outside Key Lever	16	41389	Printed Circuit Wiper Unit
6A	48953	Inside Key Lever	17	ST-2620	#6 Shake-proof Solder Lug
7	ST-9825	Keeper	18	ST-2555	6-32x1/4 Slot Hex Flg.
8	34622-A	Coil Armature & Pin Assembly	19	34471	Read-Out Tension Spring
9	34557-1	Carriage Coil	20	34473	Carriage Pressure Spring
10	34472	Armature Coil Spring	21	ST-9247	Truarc Self Locking Ring
11	34386	Coil Pad			



ACCUMULATOR ASSEMBLY No. 39655-5A-160 AND 100 SELECTIONS

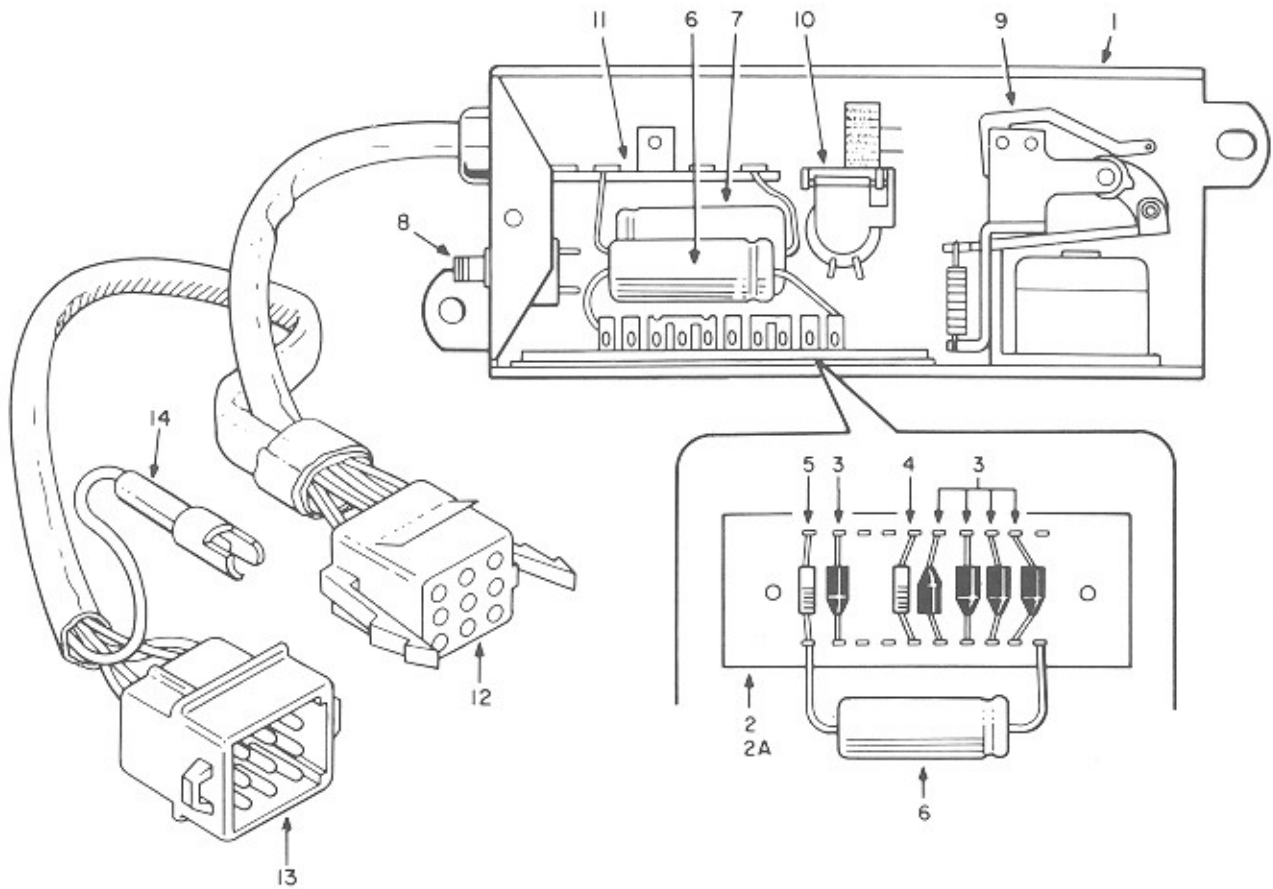
Item	Part No.	Description	Item	Part No.	Description
1	39599-1A	Bottom Plate & Stud Riveting Assembly	17	ST-2620-1	#6 Terminal Lug
2	14537	Spacer - Frame - 3/16	18	ST-4554	6-32x3/8 Phil. P.H.M.S.
3	14001	Shaft - Main Ratchet	19	14014	Armature - Ratchet Detent
4	14002	Spacer - Frame - 1/4	20	14570	Tension Spring - Ratchet Detent Armature
5	ST-8715	6-32 Hex Whiz Lock Nut	21	14567	Spring Anchor
6	43368-1A	Ratchet & Hub Assembly	22	14126-1	Shaft - Armature
7	14007	Clock Spring	23	36847	Spacer - Ratchet Detent Armature
8	ST-12	Keeper	24	ST-9851	Truarc "E" Ring
9	31258-1A	Ratchet & Hub Assembly	25	14579-A	Ratchet Escapement Armature & Rivet Assembly
10	14569	Armature Spring	26	14042	Spacer - Ratchet Escapement Armature
11	10901	Tension Spring	27	14019-1	Shaft - Armature
12	31258-1A	Ratchet & Hub Assembly	28	46497	100 P.R.V. 1 Amp S. R.
13	14011	Coil - Accumulator Electro Magnet	29	45224	Cable Clamp
14	14113	Core Detail			
15	14012	Plate - Electromagnet			
16	14566-2	Frame Plate Accumulator Top			



POWER DISTRIBUTION ASSEMBLY
120 VOLT 60 HZ USA-48445-A, 120 VOLT 60 HZ CANADA-48455-A, 100 VOLT 60 HZ JAPAN-48450-A
220/240V 50 HZ GERMANY-48460-A, 220/240V 50 HZ ENGLAND-48590-A, 220/240V BELGIUM-48465-A
220/240V 50 HZ AUSTRALIA-48470-A



Item	Part No.	Description	Item	Part No.	Description	Item	Part No.	Description
1	ST-9838	Plastic Clip	17	49114	Socket Mtg. Plate	33	ST-4338	309 G.E. Bulb
2	49304	Lamp Socket	18	V-15387	6 Cir. M-N-L Soc. Hsg.	34	44841-A	15 M-N-L Pin Hsg. Assem.
3	46446	Ground Terminal Strip	18A	49467-A	6 Cir. Pin Hsg. Assem.		49480-A	12 M-N-L Pin Hsg. — Germany
4	49311	Fuse Holder			U.S.A. — Australia — Canada — England	35	V-8760	15 Cir. M-N-L Soc. Hsg. — Blue
5	49242	Terminal Block			6 Cir. Pin Hsg. Assem.	36	47827	3 Pole Input Term. — Germany
6	ST-2560	6-32x5/8 Hex Flg. Whiz Lock		49471-A	6 Cir. Pin Hsg. Assem.	37	49007	Insulator
7	ST-8715	6-32 Hex Whiz Lock	19	49160-A	Belgium — Germany — Japan	38	49493-A	4 Amp Filter Assem. — Germany
	49313	DPST Toggle Switch		49321	Diode Board Assem.	39	49251	Cone Board
8	46772	Rocker Switch (Germany)		49253	Board Insulator	40	46497	100 PRV 1 Amp Rect.
9	45734	6 Lug Terminal Strip	20	49214	Plastic Board Support	41	47972	200 PRV 1.5 Amp Rect.
10	16226	1200 Mfd 50V Capacitor	21	47972	200 PRV 3 Amp. Rect.	42	41501	100 Mfd 64V Capacitor
12	49073	4.7 Ohm 1/2W 10%	22	49293	200 PRV 1.5 Amp. Rect.	43	45804	1500 Ohm 3 Watt Resistor
13	49468-A	Transformer Gasket	23	43517	6 Amp. 200 V. Rect.	44	47059	120 Ohm 5 Watt Resistor
	49101	Amp. Power Transformer — U.S.A.	24	16226	.56 Ohm 5 Watt Resistor	45	36454	60 Ohm 5 Watt Resistor
	49468-CA	Power Trans. Only — U.S.A.	25	41501	4700 Ohm 1/2W Resistor	46	46769	2 Ohm 2 Watt Resistor
	49101-C	Amp. Power Trans. — Canada	26	47742	100 Mfd 64V Capacitor	47	ST-10056	3 Cir. M-N-L Soc. Hsg. — Red
	49489-A	Power Trans. Only — Canada	27	49260	1.40 Amp. Cir. Breaker	48	V-7005	6 Cir. M-N-L Soc. Hsg. — White
	49101	Amp. Power Trans. — Germany	28	49447	3 Amp. Cir. Breaker	49	V-7013	9 Cir. M-N-L Soc. Hsg. — White
14	49472-A	Power Trans. Only — Germany		49250	Fuse Holder — U.S.A.	50	V-8760	15 Cir. M-N-L Soc. Hsg. — White
	49105	Phono Trans. Assem.		49686	Fuse Holder — Germany	51	47341	14 Cir. Relay Hsg. — Red
	49491-A	Phono Trans. Only		ST-9631	Fuse Holder — Canada	52	49258	Relay Socket
	49110	Phono Trans. Assem. — European		49687	5 Amp. Slo-Blo	53	49252	Plastic Board Support
15	49464-A	Phono Trans. Only — European	29	ST-3090	Fuse Holder — Canada	54	49098	Socket Mtg. Brkt.
	47706	Line Cord Assem. — U.S.A.	30	ST-9843	Fusetron 5 Amp — Canada	55	ST-10006	16 M-N-L Mtr. Mt. Pin Hsg.
	47833	3 Conductor Cord — Germany	31	49243	3 Amp Slo-Blo — Germany	56	47972	200 PRV 1.5 Amp Rect.
	48587	3 Conductor Cord — England	32	49245	Tapered Caplug	57	47059	120 Ohm 5 Watt Resistor
	47862	3 Conductor Cord — Belgium		ST-9637	Terminal Block Cover	58	45305	Relay
16	13206	3 Conductor Cord — Australia		ST-9637	Cover Retaining Pin	59	49257	Relay
	49241	Strain Relief — Germany		ST-4332	3 Amp Slo-Blo Glass Fuse	60	40131-A	Relay Hold Down Spring
					1 Amp Slo-Blo — Germany	61	46231	9 M-N-L Pin Hsg. Assem.
								.022 Mfd 150V Capacitor

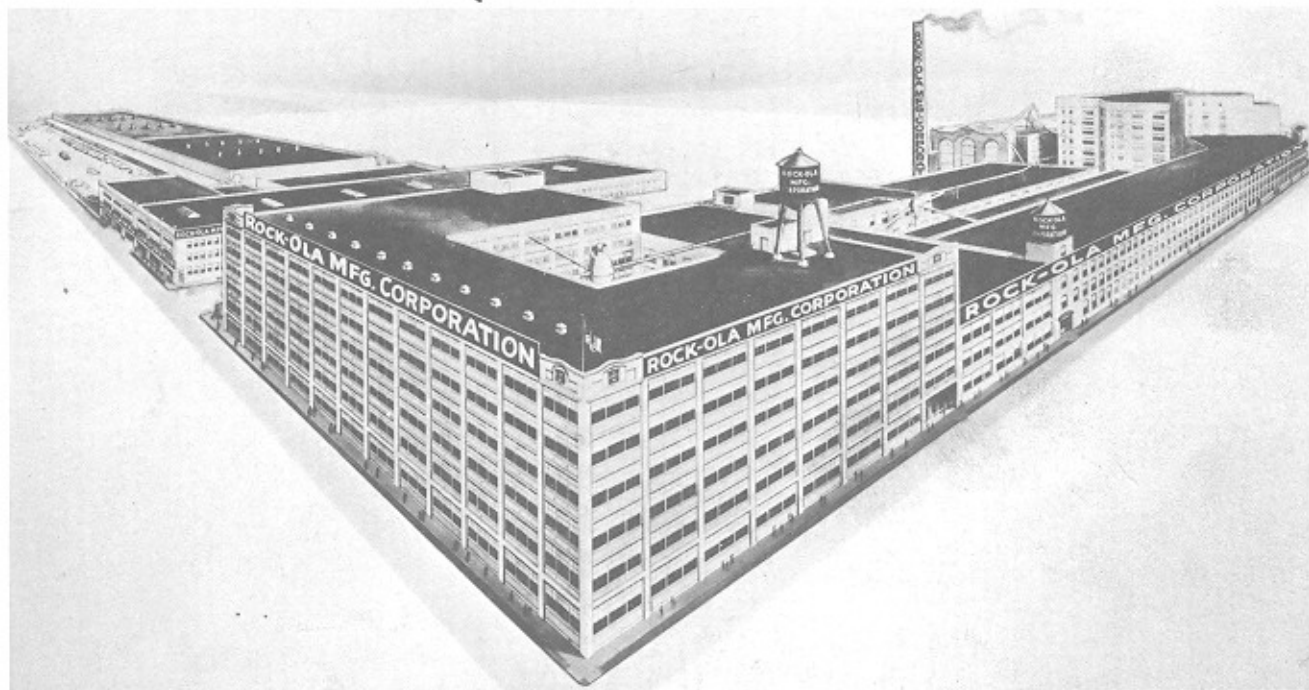


**2/3 QUARTER ADAPTER ASSEMBLY—160 AND 100 SELECTIONS No. 47295-A
KIT No. 2158**

Item	Part No.	Description	Item	Part No.	Description
1	45825	2/3 Qtr. Adapter Housing	8	40510	Slide Switch D.P.D.T.
2	45827-A	10 Lug Term. Brd. Wiring Assem.	9	45831	Sequence Relay
2A	45828	10 Lug Term. Brd. (Only)	10	41502	Relay
3	44875	Plastic Silicon Rectifier	11	44781	5 Lug Terminal Strip
4	14234	22 Ohm 1/2 Watt Resistor	12	V-7013	9 MNL Soc. Housing - Red
5	35632	220 Ohm 1/2 Watt Resistor	13	V-7012	9 MNL Pin Housing - Red
6	41501	100 Mfd. 64V. Capacitor	14	V-9839	1 MNL Pin Housing - White
7	43536	250 Mfd. 70V. Capacitor			Not Shown
				45833	2/3 Qtr. Adapter Housing Cover

THE HOME OF QUALITY BUILT PRODUCTS FOR GREATER PROFITS

The Rock-Ola factory in Chicago is the largest factory of its kind in the world devoted to the production of Coin Operated Equipment. It consists of a ground area of three and one-half city blocks with 23 buildings and a floor area of more than one-half million square feet.



ALWAYS INSIST ON GENUINE ROCK-OLA SERVICE PARTS

 **ROCK-OLA** *Manufacturing Corporation*

800 N. KEDZIE AVENUE, CHICAGO, ILLINOIS 60651

TELEPHONE: AREA CODE 312 638-7600