



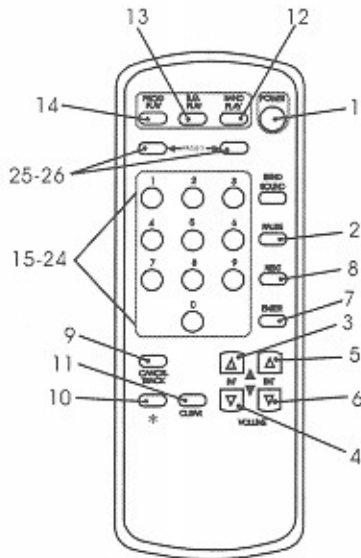
# S E C T I O N

# J

## Common Accessories

This section contains information about optional accessories for all models. This information also includes installation instructions for kits along with programming instructions for the accessories which require programming.

## Deluxe Remote Control P/N 58751-A



### Remote Control Functions:

1. **Power On/Off\*** - Turns the mech, lighting, CD player, and display ON and OFF. Puts the amplifier on standby. Set using Quick Find 70.
2. **Pause/Mute\*** - Puts the CD player in pause mode and mutes the amplifier for programmed period of time. Set using Quick Find 120.
3. **Internal Volume Up** - Raises the output of the internal amplifier.
4. **Internal Volume Down** - Lowers the output of the internal amplifier.
5. **External Volume Up** - Raises the output of the external amplifier.
6. **External Volume Down** - Lowers the output of the external amplifier.
7. **Enter\*** - Pressed after a four digit selection, the disc and track (if valid and enabled) will be added to the play queue. Quick Find 121 or 122 must be enabled.
8. **Next\*** - Pressed after a four digit selection, the disc and track (if valid and enabled) will be played next. This is especially useful for "Happy Birthday" or similar selections. Quick Find 121 or 122 must be enabled.
9. **Cancel Track** - Stops the current selection. The next selection in the play queue is played.
10. **\* - Programmable key.** Can be Cancel Disc which stops the current selection, and clears any remaining selections from this disc out of the play queue. Set using Quick Find 125. Can also be Remote Credits. Set using Quick Find 55.
11. **Clear\*** - If enabled, completely erases the play queue. Set using Quick Find 126.
12. **Random Play\*** - Activates the random play feature depending on how Quick Find 127 is configured. Set using Quick Find 127.
13. **Backgrnd Play\*** - Enables/disables background auto play mode. Set using Quick Find 128.
14. **Program Play\*** - Activates one of the 3 programmed play lists. Each play list plays up to 50 selections. Set using Quick Find 129.
- 15-24 **Digits 0-9** - Used for entering selections and programming.
- 25-26 **Page\*** - When pressed, will cause the title pages to move one page. Set using Quick Find 29.

\* These are programmable functions for the deluxe remote control. Only track cancel and volume are fixed functions.

For programming instructions, see Section E of the SyberSonic Service Manual.

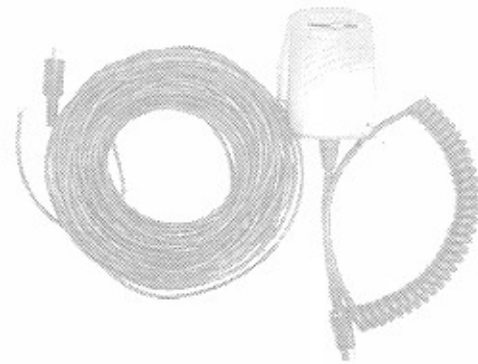
### QUICK FIND REFERENCE PROGRAMMING

120	Pause/Mute	125	Cancel Disc
121	Select Type	126	Clear Mem.
122	Rem Playlist	127	Random Sel.
123	Surround Snd	128	Background
124	Select Album	129	Play Lists

## Microphone Kit P/N 02379-02 (Yoga)

### Parts List:

QTY	P/N	Description
1	59360-A	Yoga Microphone w/ mtg brkt
1	59356-A	Cable Assembly, 75 feet
1	ST-11474	DIN Socket, 3 Pin
1	ST-11244	Header, 0.156 X 4
3	ST-11245	Pin, 0.156 Tin



### Installation Instructions:

The microphone is connected to the jukebox amplifier with a 2 wire (22 AWG) shielded cable. This cable is supplied with kit.

- Install the microphone's mounting bracket on a firm surface. If possible, choose a location away from any speakers.
- Run the cable between the microphone location and phonograph. Be sure the DIN socket side of the cable is at the chosen location.
- At the microphone location, connect the microphone to DIN socket.
- At the phonograph end, run the cable into the phonograph through the cable access port in the rear. Route the cable to the amplifier being careful to not interfere with any moving parts. Plug the connector into the microphone input.

This completes the installation. Turn the phonograph on and set the jukebox amplifier per the jukebox service manual. Test the microphone by keying and speaking into it.

**Important:** Do not blow into the microphone. Test by tapping on the case or talking into the microphone.

**Note:** Microphone volume is independent of the jukebox volume and will work regardless of whether music is playing or not. If the jukebox is playing, the volume of the music will be reduced during paging. This level may be changed by adjusting the Music Level While Paging. See the jukebox service manual for setting instructions.

**This kit includes the necessary connectors to utilize existing location wiring if desired. Connect cable and microphone following the below charts.**

The cable wiring is as follows:

Wire Color	Function	DIN Socket	Header Socket
Red	Power	Pin 3	Pin 4
Black	Audio	Pin 1	Pin 2
Shield	Ground	Pin 2	Pin 1

The microphone wiring is as follows:

Wire Color	Function	DIN Plug
White	Power	Pin 3
Red	Audio	Pin 1
Shield	Ground	Pin 2

### Hints To Avoid Feedback Howl

1. Hold the microphone close to mouth when using 1/2" to 1" is best.
2. Keep the microphone gain (volume) as low as possible consistent with coverage requirements.
3. Keep the microphone as far from the speakers as possible.

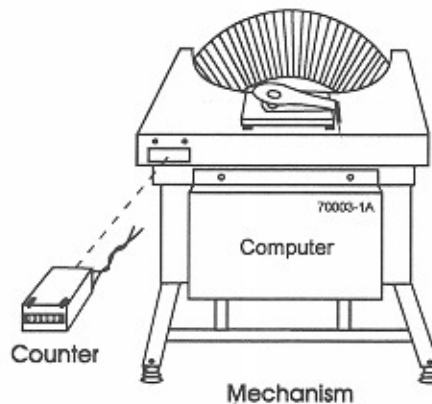
## Counter Kit P/N 02410-01

### Parts List:

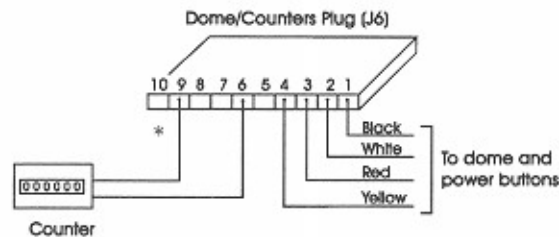
QTY	P/N	Description
1	58844	Counter with staked leads (twisted)
2	ST-02541	4-40 x 3/8 Hex Flg Machine Screw
1	ST-11308	3M Connector
1	59812	Bracket, coin counter
2	ST-04062	8 x 1/2 Phil Pan Hd Type "A" Screw
1	58899-01	Instruction Sheet

### Instruction:

1. Mount the counter to the mechanism front with two (2) screws ST-02541 (4-40x3/8 Hex Flg).



2. Press wires from counter into the dome/ counters plug at pins 9 and 6 as shown:



\* If J6 Pin 9 is occupied, use 3M connector ST-11308 to connect one wire from the counter to the blue/white wire at pin 7 of J1 on the computer.

## Volume Accessory Unit Kit P/N 02414

The **Volume Accessory Unit (VAU)** was designed for locations that prefer rotary or slide remote volume controls or if it is not convenient to pull a new 6 wire cable.

With this kit any 3 wire potentiometer based remote volume/cancel control can be used with the new Syber Sonic electronics.

There can be one control to operate both internal and external amplifiers, or two controls (one for internal and one for external) wired to the unit.

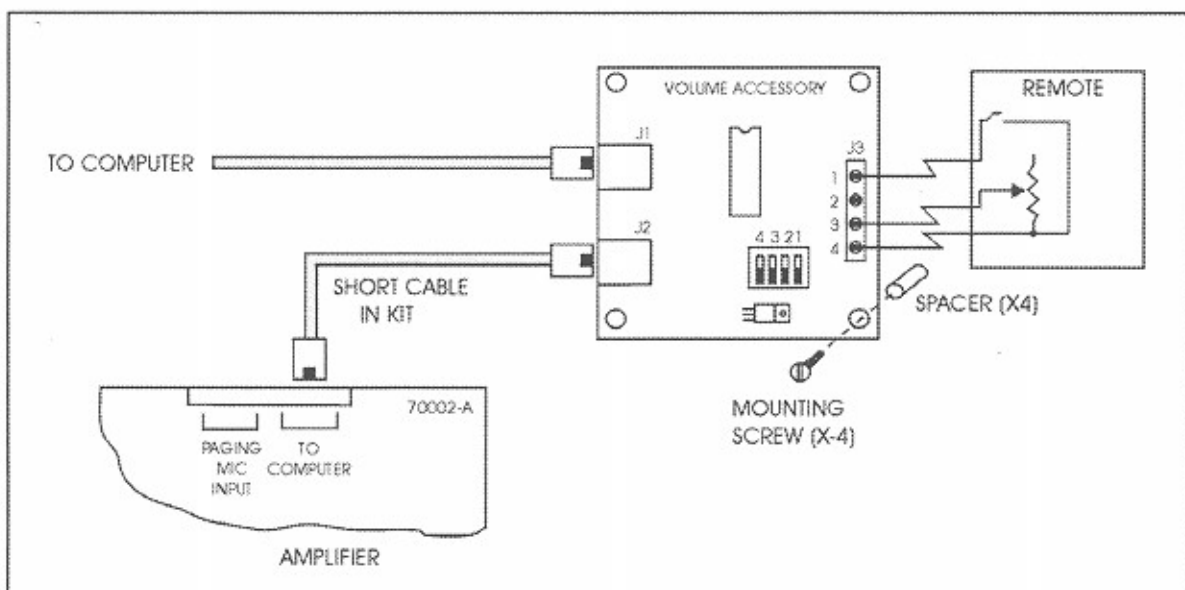
### Kit Contents:

- |              |                           |
|--------------|---------------------------|
| (1) 58809-A  | VAU Printed Circuit Board |
| (1) 58876    | 12" Modular Cable         |
| (4) ST-11155 | Nylon Standoffs           |
| (4) ST-09716 | 6 x 1 Hex Hd Screws       |
| (1) 58877    | Instruction sheet         |

### Installation:

1. Turn off power to the jukebox.
2. Remove the title page unit (Legend and Rocket).
3. Mount the circuit board to the back of the cabinet near the amplifier and cable access hole.
4. Unplug the communication cable going to the computer from the amplifier.
5. Plug this into one of the modular connectors on the VAU.
6. Run the 12" cable furnished with the kit from the other connector on the VAU to the amplifier.
7. Connect the remote volume control(s) as follows:

- Terminal 1 - Cancel button(s)
- Terminal 2 - Potentiometer for external amplifier control (see note).
- Terminal 3 - Potentiometer for internal amplifier control (see note).
- Terminal 4 - Common ground



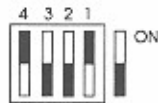
**Set up:**

Set the dip switches as follows:

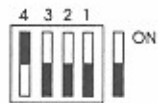
- One potentiometer connected to terminal 3 for internal amplifier control only or internal/external bridged.



- One potentiometer connected to terminal 2 for external amplifier control only.



- Two potentiometers connected one to terminal 3 for internal control and one connected to terminal 2 for external control.



The IR and push button remote volume functions are disabled for the amplifier that is using a potentiometer. The display does not readout volume settings as they are easily seen by the position of the knob. The mute and cancel track buttons will continue to operate normally.

**Note:** If you are using only one potentiometer to control both internal and external amplifiers, leave the VAU out of the loop until you have balanced and bridged the volume controls. Refer to your jukebox manual on setting the volume levels for the speaker systems. Connect the potentiometer to terminal 3 only and set the switches for internal control. After bridging the amplifiers, reconnect the VAU, cycle the power to initialize it and then the single potentiometer will raise and lower the levels together.

**Testing:**

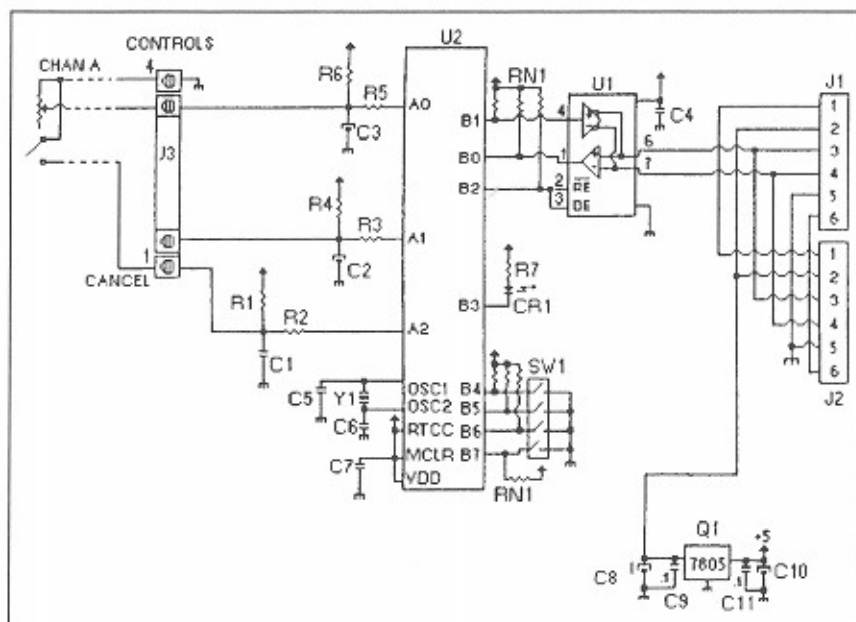
1. Apply power and look at the LED on the circuit board. It should be flashing. If it does not, see "Troubleshooting".
2. Make a selection and adjust the volume control(s).
3. If the controls work backward i.e., turning the control down raises the volume, turn power off, flip switch 3 and try again.

**Using:**

It is important to remember that although you are turning or sliding a control, the levels are still digitally controlled so there is a small delay in responding to a new volume setting. This is normal. The volume control will be limited by the minimums and maximums established in the set up menu of the jukebox. If the background music system is enabled, the potentiometer(s) will adjust the volume with whatever limits are established in the set up menu as well.

**Troubleshooting:**

On power up, the LED should come on and start flashing. A regular heartbeat of approx. 10 per second is normal. If the LED comes on and stays on, remove all power from the jukebox and then reapply. Look at the display to see what software version is installed on the jukebox. If the LED still does not flash and the software is version 2.9 or higher, check the modular cable and connections. If the LED is dark, check for 5 volt power on the board. If the volume stays all the way up or down, check connections to the potentiometer(s).

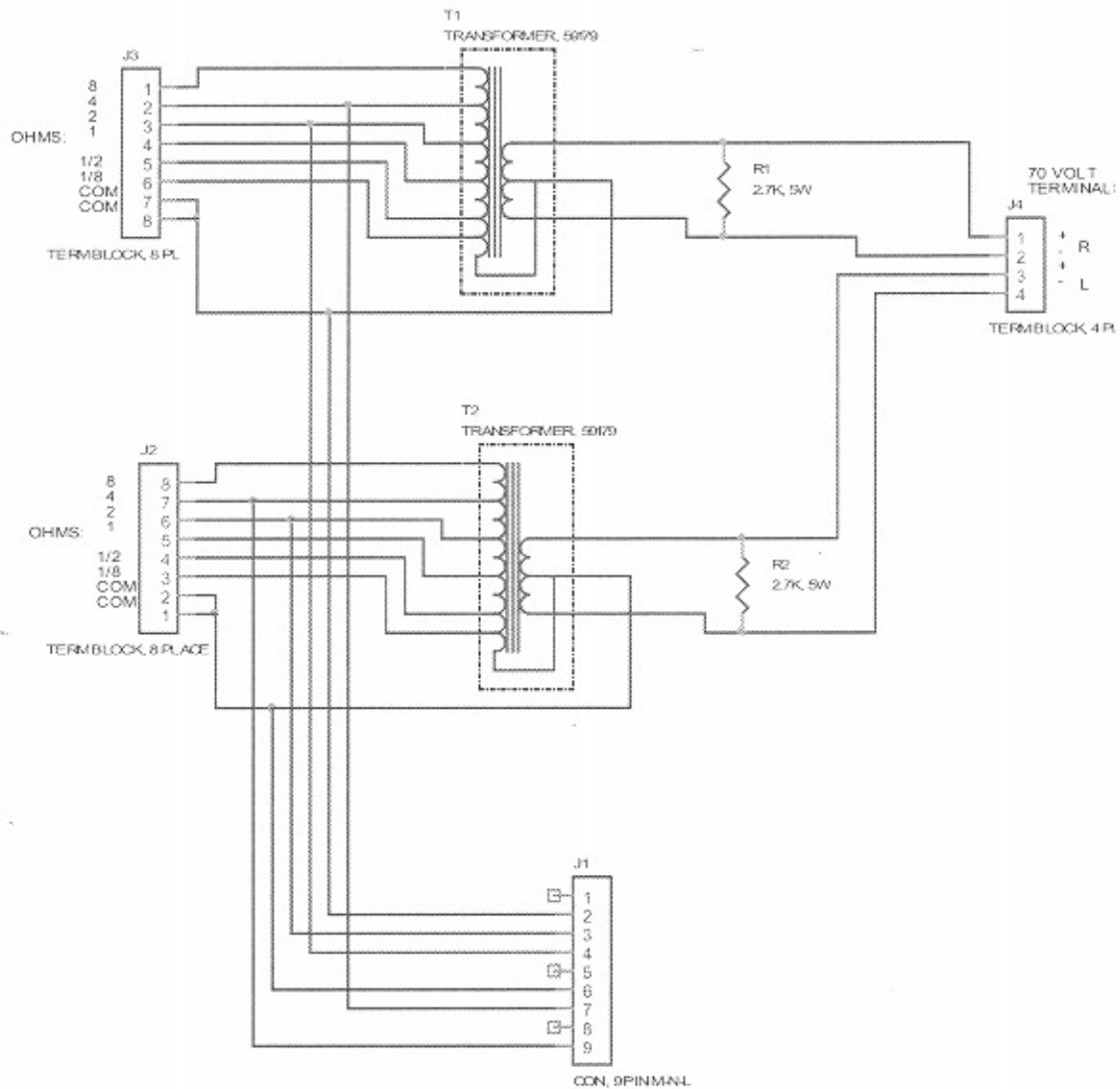


### Parts List:

#### 58809-A VAW PCB Assembly

<u>Designator</u>	<u>Part No.</u>	<u>Description</u>
-	58808	PCB, Raw
R1	51293	Resistor 10K, 1/4W
R2, R7	51564	Resistor 1K ohm, 1/4W
R3, R5	53888	Resistor 180 ohm, 1/4W
R4, R6	53869	Resistor 4.3K, 1/4W
C2, C3, C8	54412	Capacitor, Tantalum 1uF, 35V
C1, C4, C7, C9, C11	52675	Capacitor, Mono 0.1uF, 50V
C5, C6	58968	Capacitor, Disc 22PF
C10	48036	Capacitor, Tantalum 10uF, 16V
Q1	53702	Regulator 7805 TO-220
Y1	58879	Crystal, 4 Mhz
U1	58871	IC 75176
U2	52723	Dip Socket, 18 pin
U2	58878	Microcontroller, Programmed
SW1	G-05108	Dip Switch, 4 Place
J3	58886	Terminal Block, 4 Place
J1, J2	58880	Connector, Modular, 6 Place
CR1	51994	LED

## Audio Distribution Assembly, P/N 70046-1A



## Bill of Materials

Reference	Part	Rock-Ola Part No.
J1	Connector, 9 pin MNL	ST-10584
J2, J3	Terminal Block, 8 pos, .375	59176
J4	Terminal Block, 4 pos, .375	59177
R1, R2	Resistor, 2.7k, 5W, wire wound	59138
T1, T2	Output Transformer	59179
-	Base Plate with pem studs	59178-A
-	Flange Nut, 8-32	