



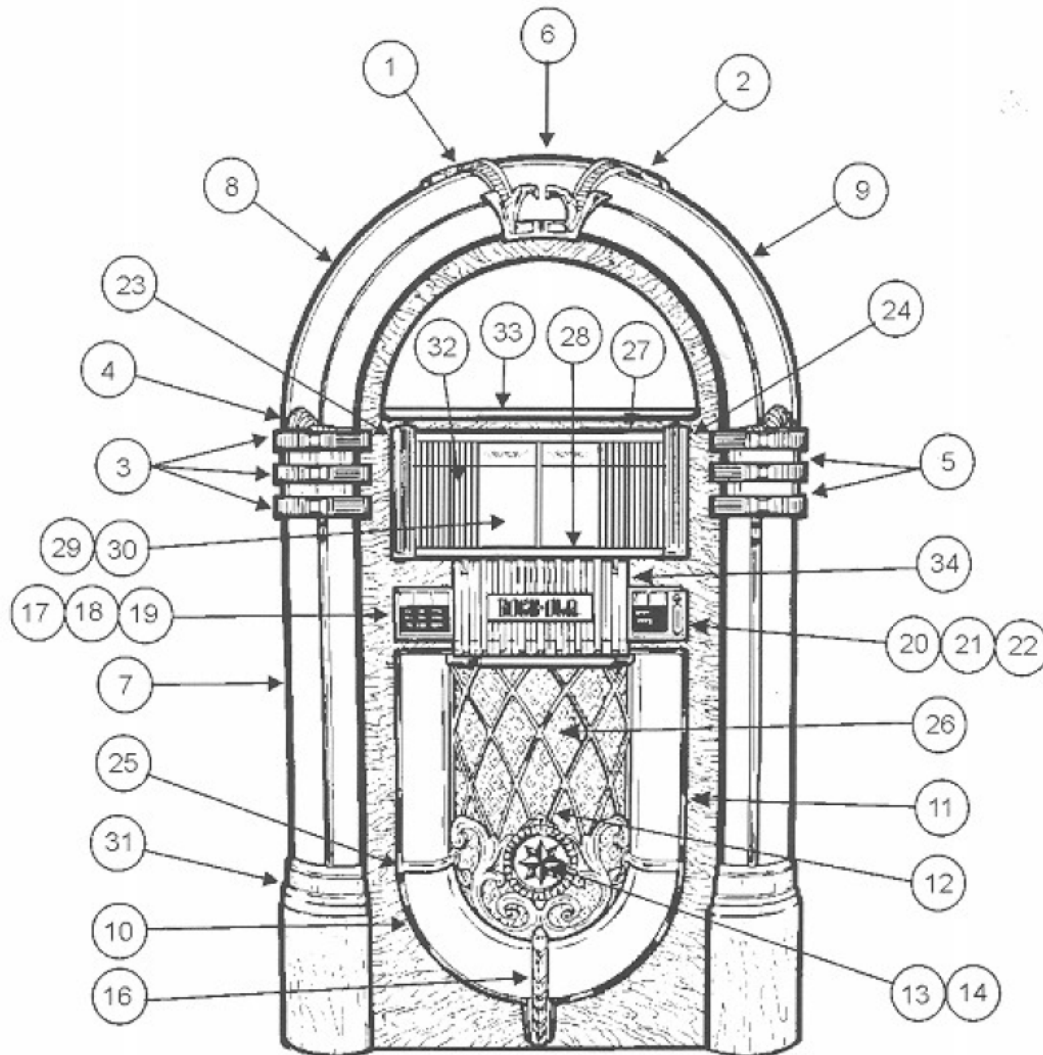
**S
E
C
T
I
O
N**

Parts Catalog

Door Assembly.....	2
Inside Door Assembly.....	3
Inside Cabinet.....	7
Outside Cabinet.....	9
Mechanism Assembly.....	11 - 12
Electronic Components.....	13 - 14
Cables.....	15 - 20
Kits and Accessories.....	21

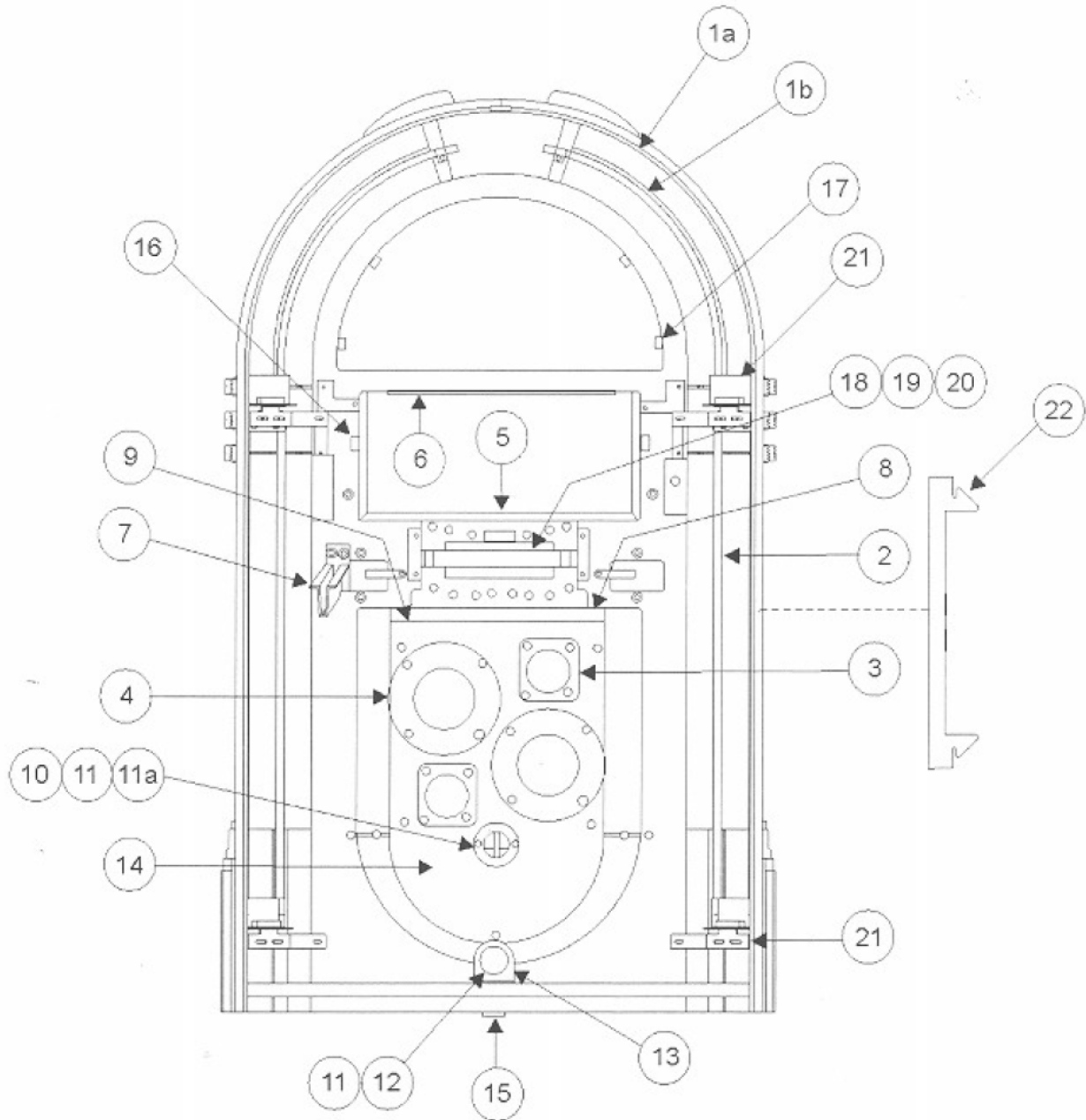
K

Door Assembly (CD-8 Bubbler)



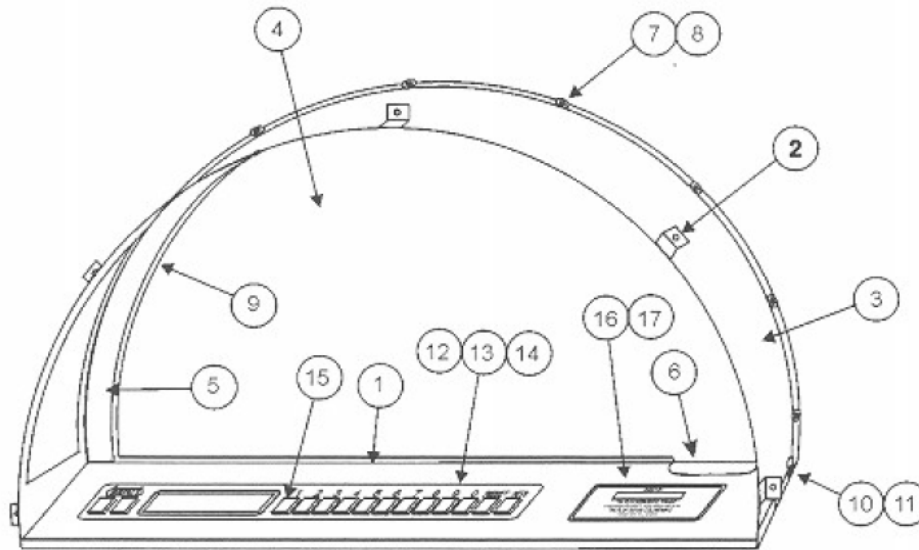
Item No.	Part No.	Description	Item No.	Part No.	Description
1	57380	Casting - Upper Trim LH	19	57456	Plastic - Bill Entry Block
2	57381	Casting - Upper Trim RH	20	57316-01	Casting - Coin Entry
3	57382	Casting - Side Trim	21	57317	Plastic - Coin Entry
4	57383	Casting - Shell Trim	22	57716	Decal 25 Cents only
5	57384	Plastic - Side Red	23	57457	Casting - Program Trim LH
6	57385	Plastic - Top Red	24	57458	Casting - Program Trim RH
7	57386-01	Plastic - Pilaster Cream	25	60202	Grill Trim
8	57387	Plastic - Upper Curve Cream LH	26	57472-	Grill Cloth Diamond Pattern
9	57388	Plastic - Upper Curve Cream RH		19250	19 1/4"
10	57452	Plastic - Inner Curve	27	SV-23826	Trim, Upper Display, Walnut
11	57453	Plastic - Inner Straight		SV-23827	" " Oak
			28	SV-23828	Trim, Lower Display, Walnut
				SV-23829	" " Oak
	SV-57392-A	Large Grill Assembly	29	57459	Program Glass
12	57393	Casting - Large Grill	30	53774-17500	Rubber Channel 17 1/2"
13	57394	Star Logo	31	SV-23402-A	Knee Assembly, Walnut
14	SV-60771-A	Grill Diffuser Plastic & Bracket Assy		SV-23415-A	Knee Assembly, Oak
16	57450	Grill Support	32	SV-58726-1A	Title Page Assembly (p. 6)
17	57454	Casting - Bill Entry	33	See page 3	Keyboard/Display Trim Assy
18	57455	Plastic - Bill Entry	34	SV-58840-A	Small Grill Assembly (p. 4)

Inside Door Assembly



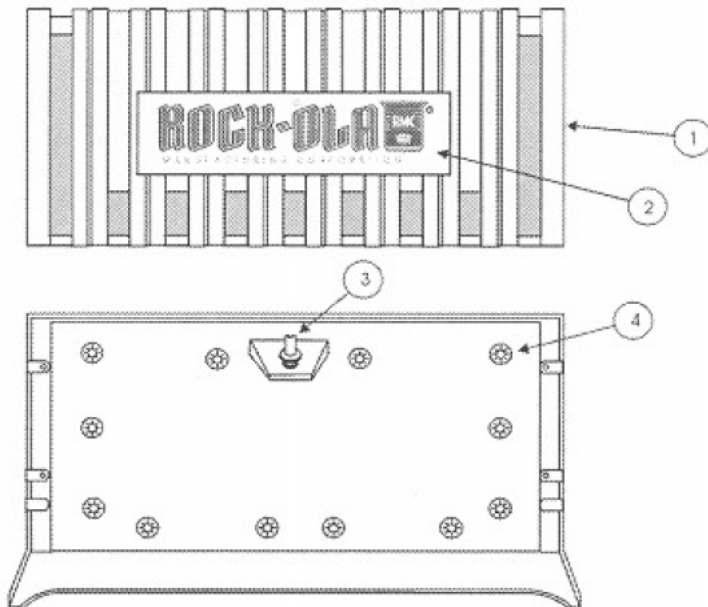
Item No.	Part No.	Description	Item No.	Part No.	Description
1a	57448	Bubble Tube, Long Curve	12	57433	Bulb 11 watt, Orange
1b	57449	Bubble Tube, Short Curve	13	57468	Lower Door Light Bracket
2	57447	Bubble Tube, Straight Long	14	SV-57469-3A	Speaker Board Assembly
3	58931	Speaker 3" Tweeter	15	57464	Kick Plate
4	56668-01	Speaker 6" Midrange	16	58251	Title Page Latch Spring
5	58252	Shroud, CD Title Page	17	57439	Light Arch Hanging Bracket
6	60756	White Plastic	18	60702	Fluorescent Light Bracket
7	SV-60764-A	Upper Coin Chute Assy	19	57673	Lampholder
8	57474	Light Diffuser Metal Frame	20	57467	Fluorescent Tube F6T5CW 9"
9	57475	Door Light Diffuser	21	SV-60764-A	Bubble Tube Heater & Mtg Assy
10	57492	Grill Light Bracket	22	58617	Dual Lock Strike
11	57431	Single Lamp Socket	23	See page 5	Light Arch Assembly (not shown)
11a	57473	Lamp (Bulb)	24	See page 5	Light Bar Assembly (not shown)

Keyboard/Display Trim Assembly



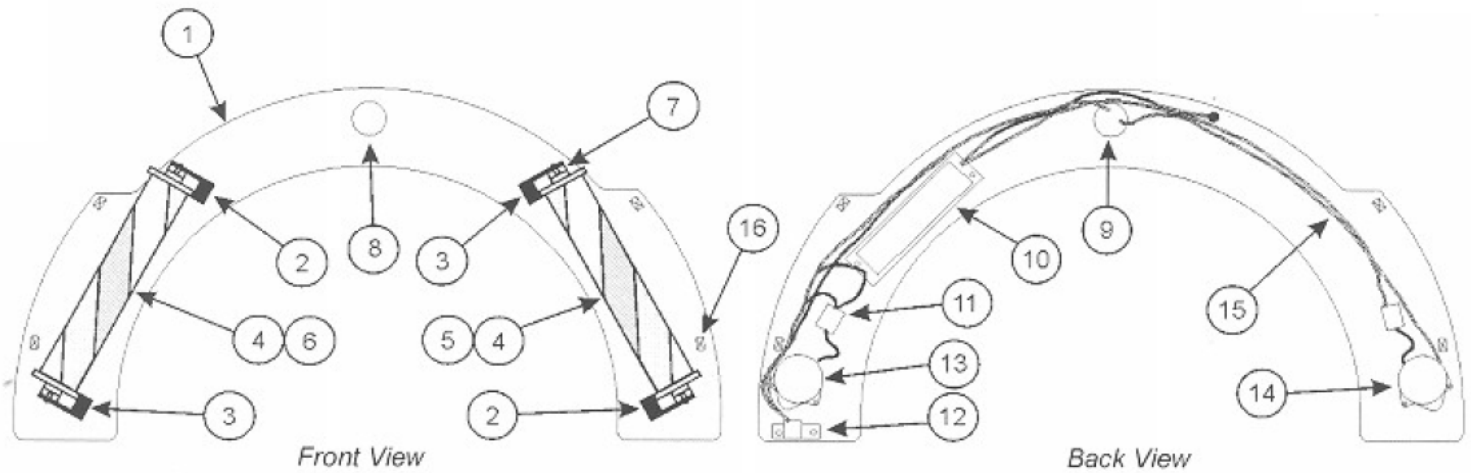
Item No.	Part No.	Description	Item No.	Part No.	Description
1	SV-23820-A	Display/Keybd Trim, Walnut	10	57512	Clamp
	SV-23821-A	Display/Keybd Trim, Oak	11	ST-04666	6x1/2 Phil Pan Hd Screw
	SV-23822-A	Display/Keybd Trim, Black	12	SV-58926-A	Keyboard/Display Assembly
2	57662	Wnwnd Arch Diffuser Frame	13	60627	Keyboard Bezel
3	58231	Arch Light Diffuser (CD-8 Bubbler)	14	59117	Keyboard Retainer Bracket (not shown)
4	58210	Wnwnd Glass	15	52242-01	Pushbutton - Orange
5	57507-30000	Wnwnd Extrusion 30°		52242-02	Pushbutton - Red
6	57507-20000	Wnwnd Extrusion 20°		52242-03	Pushbutton - Green
7	ST-04858	Tinnerman Nuts	16	60758	Price and Instruction Bezel
8	ST-09728	4-40x1/4 Phil Pan Hd Screw	17	60686	Pricing Bezel Retainer
9	57508	Wnwnd Glaze			

Small Grill Assembly #SV-58840-A (CD-8 Bubbler)



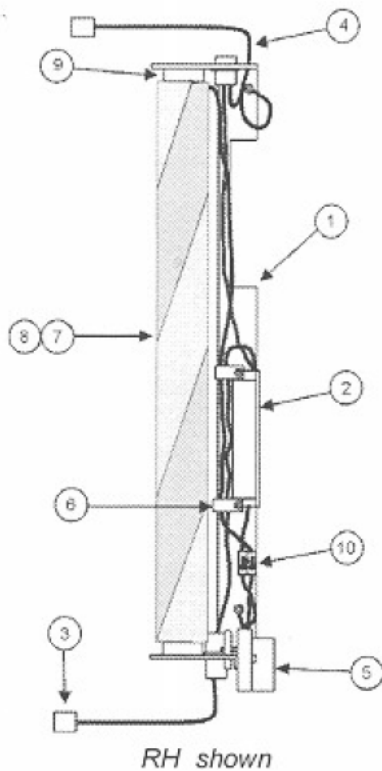
Item No.	Part No.	Description
1	58848	Small Grill Casting
2	58962	Rock-Ola Logo
3	58009	Mounting Stud
4	ST-11303	Speed Nut 3/16"

Arch Light Assembly # SV-60765-A



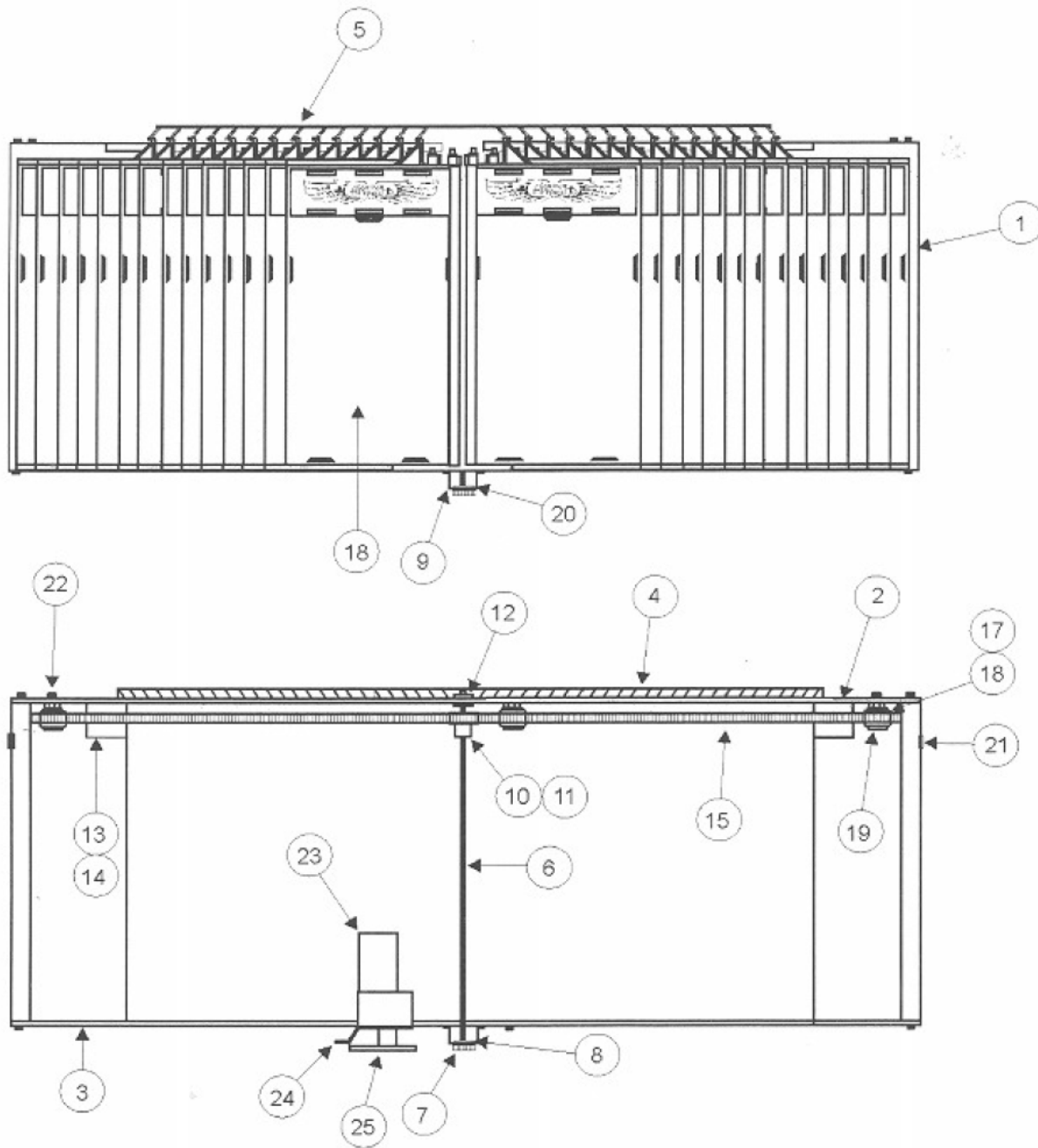
Item No.	Part No.	Description	Item No.	Part No.	Description
1	60696	Arch Light Frame	9	57431	Single Lamp Socket
2	57429	Lamp Bracket, RH	10	60207	Ballast, Workhorse 3
3	57430	Lamp Bracket, LH	11	57413	Terminal Strip, 2 pole
4	57434	Fluorescent Lamp F14T12CW	12	60739	Terminal Block
5	SV-57438-3A	Color Cylinder Assy, RH	13	SV-58046-A	Motor Assy, RH
6	SV-57435-3A	Color Cylinder Assy, LH	14	SV-58045-A	Motor Assy, LH
7	57415	Fluorescent bipin Socket	15	SV-60715-A	Arch Light Cable Assy
8	57433	Bulb 11W Orange	16	57440	Nylon Latch, 1/4 Turn

Light Bar Assembly



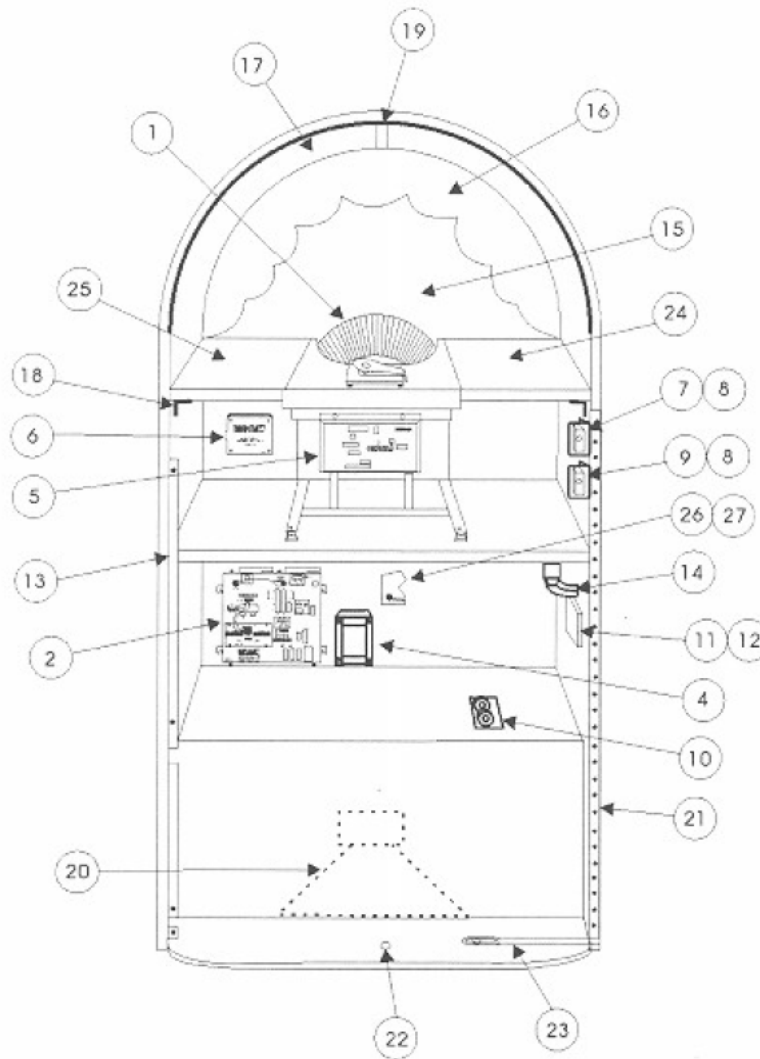
Item No.	Part No.	Description
1	60726-A	Light Bar Bracket, LH
	60727-A	" " " " RH
2	SV-60748-A	Ballast & Cable Assembly
3	SV-60708-A	Harness, Heater Power
4	SV-60714-A	Harness, Light Bar Power
5	SV-58045-A	Motor Assembly, LH
	SV-58046-A	" " " " RH
6	60739	Terminal Block
7	SV-57416-1A	Color Cylinder Assembly, LH
	SV-57425-1A	" " " " RH
8	36121	Fluorescent Lamp F20T12CW
9	57415	Fluorescent bipin socket
10	57413	Terminal Strip, 2 pole

Title Page Assembly #SV-58726-1A



Item No.	Part No.	Description	Item No.	Part No.	Description
1	57083-02	Title Page Main Frame	13	57353	Channel
2	57081-01	Top Bracket	14	57493	Slide Actuator
3	57082	Bottom Bracket	15	57354	Title Page Belt
4	57402-01	Catch Spring	16	57356	Title Page, Black Plastic
5	57347	Spring	17	57357	Standoff
			18	57358	Roller
	SV-57348-A	Drive Shaft Assembly	19	ST-09245	"C" Clip 1/4
6	57349	Drive Shaft	20	57360	Nyliner Bearing 5/16"
7	57350-01	Brass Gear	21	57072	Nyliner Bearing 1/4"
			22	ST-08268-D	8-32x5/16 Hex Hd Screw
8	57359	Nyliner Bearing 3/16"	23	59346-A	Title Page Motor
9	57351-01	Bottom Mounting Guide	24	59682	Motor Bracket
10	57352	Nylon Gear	25	59675	Page Drive Gear
11	ST-02255	Set Screw 6-32 x 3/16	25a	ST-11460	Set Screw
12	ST-09263	"C" Clip 3/16	26	43414-01	Snap Switch

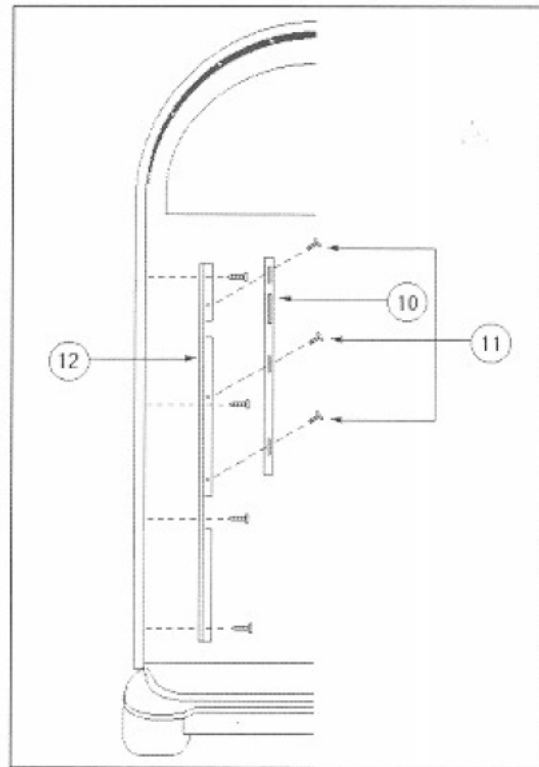
Inside Cabinet Assembly



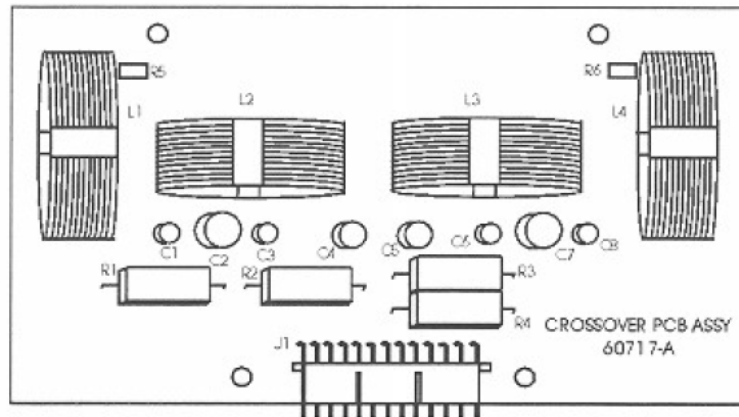
Item No.	Part No.	Description	Item No.	Part No.	Description
1	SV-58689-3A	Mechanism Assembly (p. 11)	17	57373	Gold Foil
2	SV-70135-A	Dual Digital Amplifier (p. 13)	18	57364	Mech Trim Bracket
-			19	57365	Light Block
4	60681-A	Transformer	20	57288-01	Woofer Speaker
5	SV-70003-2A	Computer (p. 14)	21	57377	Door Hinge
6	SV-70004-A	Volume Control	22	57477	Nylon Base Tack Glide
7	58602	Service Switch	23	57476	Door Support
8	58622	Switch Bracket	24	SV-23416-01	Mech Trim, RH, Walnut
9	58602	Power Cut off Switch		SV-23418	" " " Oak
10	SV-60717-A	Speaker Crossover (p. 8)		SV-23823	" " " Black
11	57335	Coin Acceptor	25	SV-23417-01	Mech Trim, LH, Walnut
12	57334-A	Coin Acceptor Mtg Frame		SV-23419	" " " Oak
13	SV-57366-A	Dual Lock Assy (p. 8)		SV-23824	" " " Black
14	SV-57336-A	Upper Coin Chute Assy	26	46956	Cable Cover
15	57374	Mural	27	ST-01352	Wing Nut
16	57375	Curtain			

Dual Lock Assembly SV- 57366-A

Item No.	Part No.	Description
10	57368	Dual Lock Side
11	57369	Shoulder Screw
12	57367	Dual Lock Guide

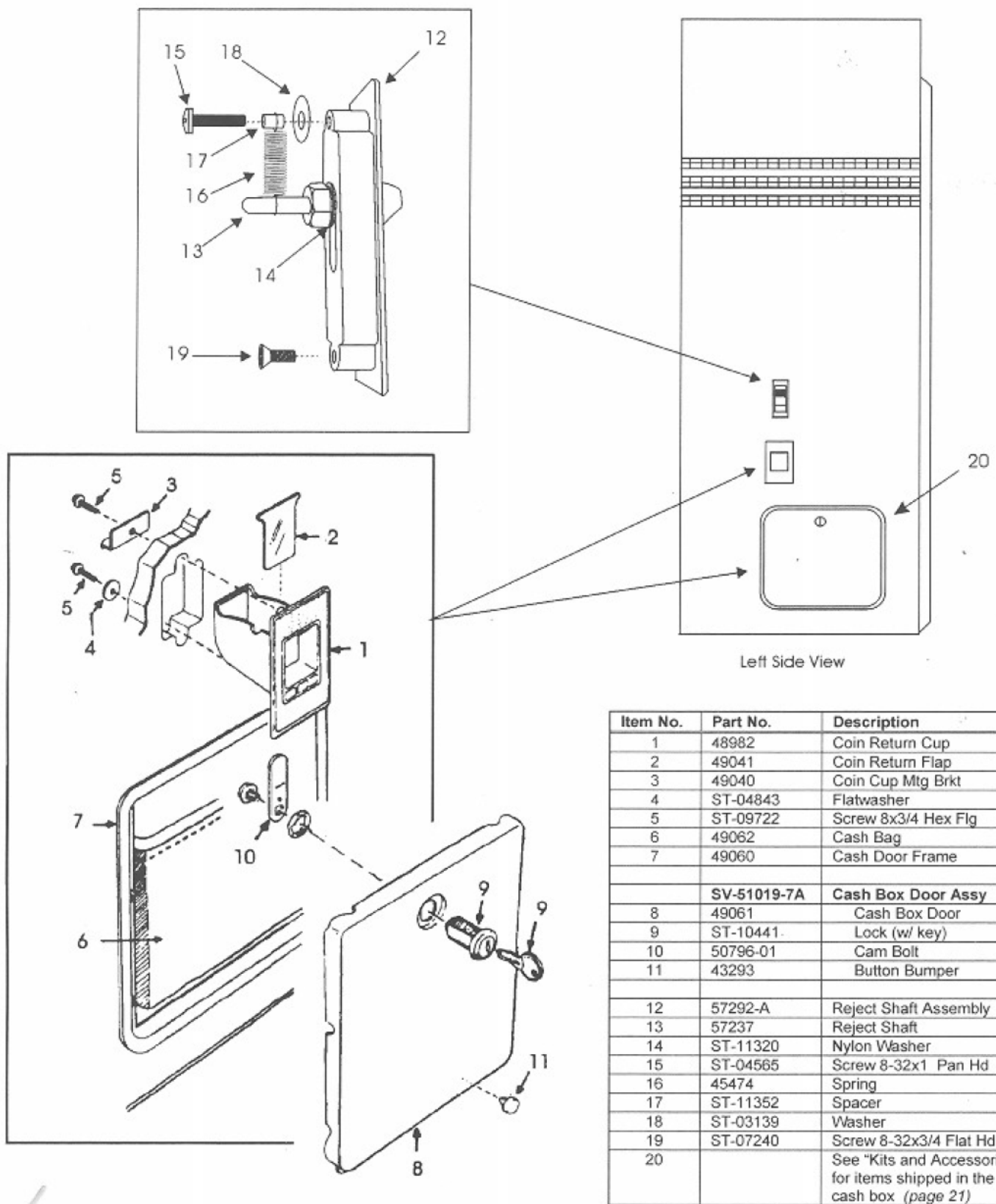


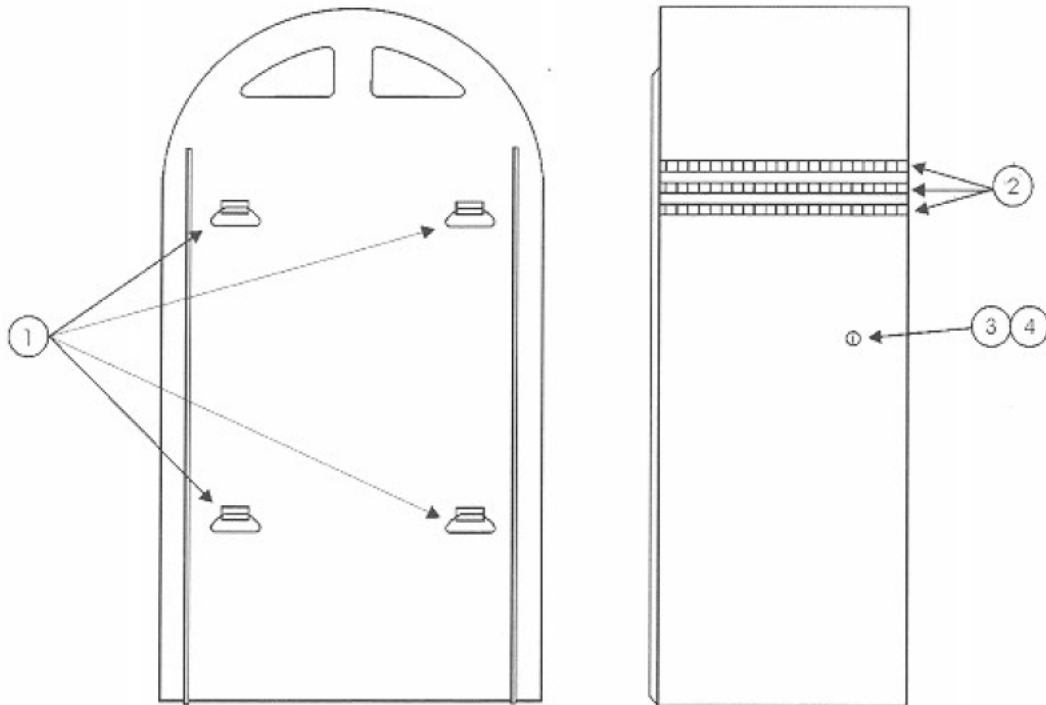
Crossover PCB Assembly SV-60717-A



Qty	Part No.	Description	Ref. Des.
2	58942	Coil .8mH	L1, L4
2	58943	Coil 1.25mH	L2, L3
2	58948	Cap 47uf	C2, C7
2	58949	Cap 22uf	C4, C5
2	58950	Cap 5.6uf	C1, C8
2	58944	Cap 3.9uf	C3, C6
2	58933	Res 10 ohm, 5W, 10%	R2, R3
2	60767	Res 62 ohm, 5W, 10%	R1, R4
2	60766	Res 39 ohm, 5W, 10%	R5, R6
1	58947	Header 12 pin Right Angle	J1

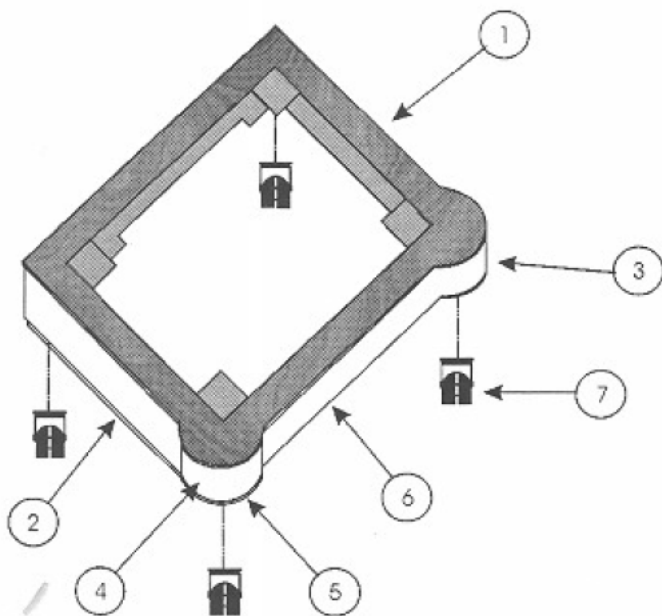
Outside Cabinet Assembly





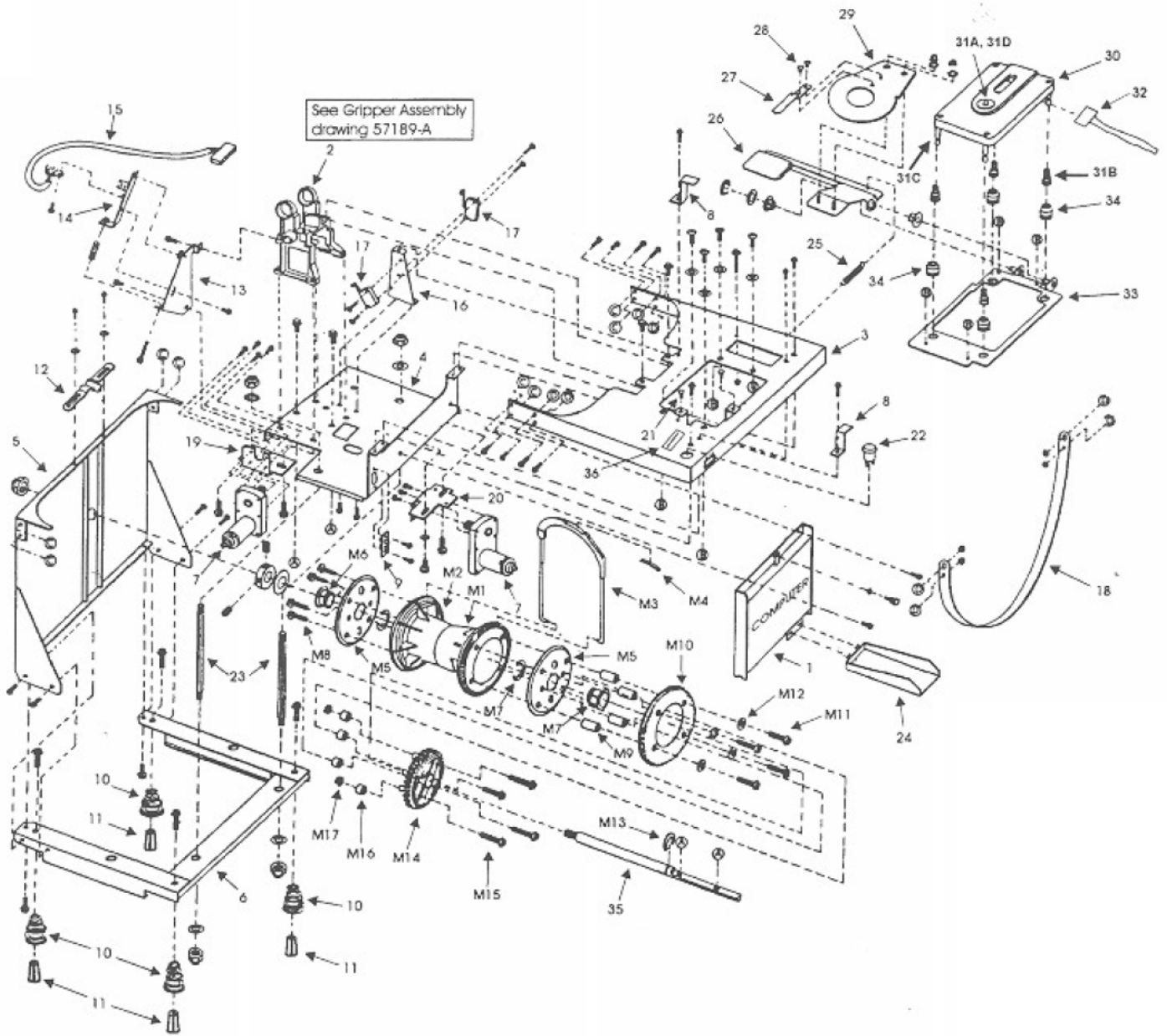
Item No.	Part No.	Description	Item No.	Part No.	Description
1	SV-49997-3A	Handle & Bracket Assy	3	ST-11296	Lock & Key
2	57376-18500	Mirror Strips 18 1/2"	4	ST-11296-K	Key only

CD-8 Bubbler Base Assembly SV-57322-A



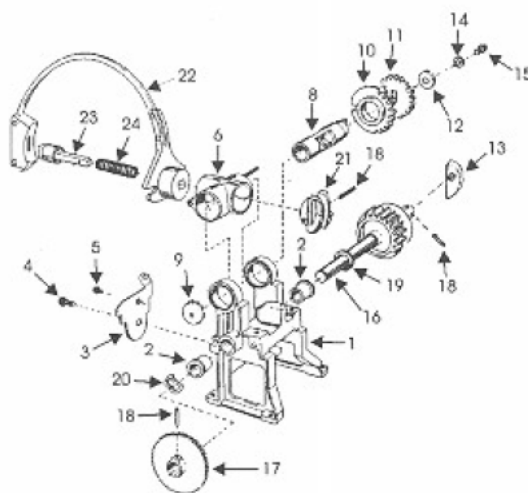
Item No.	Part No.	Description
1	58317	Side Metal RH
2	58316	Side Metal LH
3	57323	Front Corner Metal RH
4	57324	Front Corner Metal LH
5	57326	Lower Front Corner Metal
6	57325	Front Center Base Metal
7	ST-06030-04	Caster, Double Wheel

Mechanism Assembly



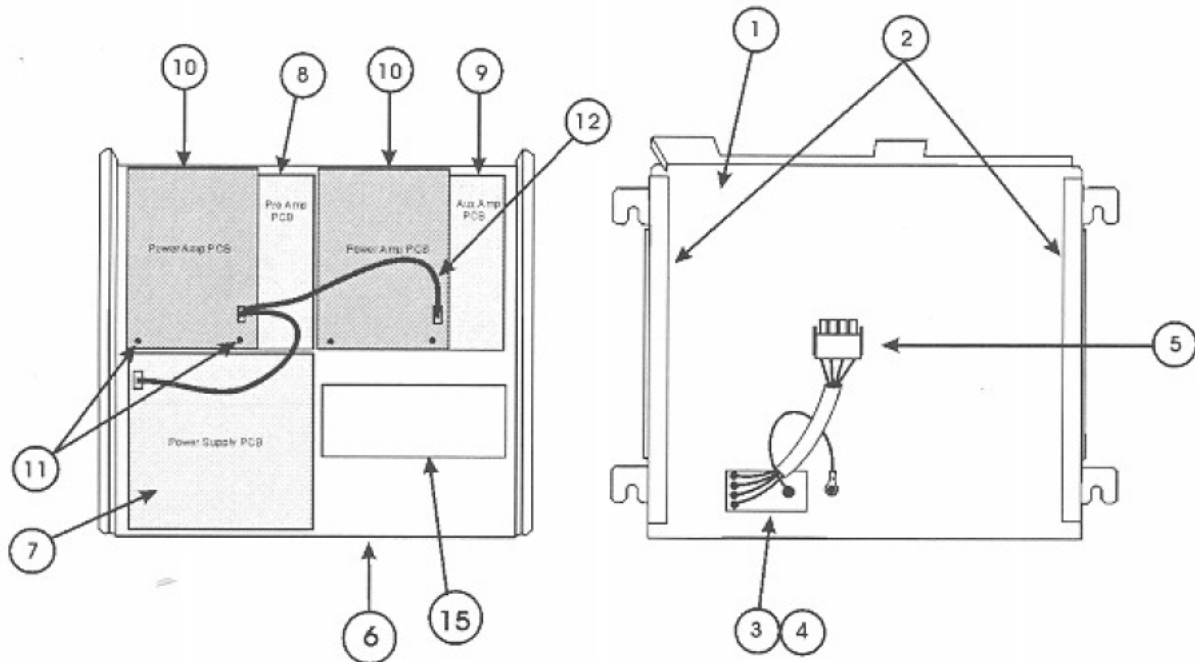
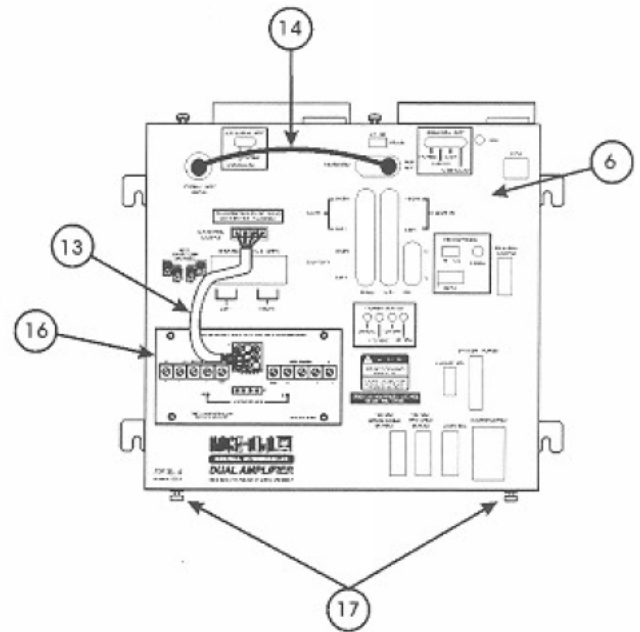
Item No.	Part No.	Description	Item No.	Part No.	Description
1	SV-70003-2A	Computer Assy (See page 14)	30	SV-59241-2A	CD Pro Player Assy
2	SV-57189-A	Gripper Assembly (See below)	31A	59954	Hub Insert
3	57062-2A	Mechanism Top Chassis Assy	31B	58639	Spring
4	58476	Main Chassis	31C	57051	Standoff
5	57161-01	Mech End Plate	31D	58929	Spider
6	58677	Mechanism Base Frame	32	58540-A	Audio to CD Player Cable
7	SV-55941-A	D.C. Gear Motor Assy	33	57063-1A	CD Player Mtg Bracket
8	57273	CD Hold Down Bracket	34	59071	Grommet
9	58544	Mounting Plate, RCA Jack	35	57156	Magazine Main Shaft
10	57167	Base Coil Spring	36	59140	Mech Warning label
11	57168	Nylon Spring Insert			
12	57157	Gripper Arm Rest Bracket		SV-57188-A	Magazine Assembly
13	57159	Opto Mounting Plate	M1	56016	Hub Front
14	57060-A	Opto Slide Bracket Assy	M2	56017	Hub Rear
15	58687-A	Mech Opto Cable Assy	M3	56348-1A	Separator Wire Assy
16	57154	Switch Mounting Bracket	M4	56283	Magazine Label
17	43414-01	Snap Switch	M5	57187-A	Cover Magazine Assy
18	57170	Steel Band	M6	50308-01	Main Bearing
19	57153	Gripper Motor Mtg Bracket	M7	ST-09264	Retaining Ring
20	55843	Mag. Motor Mtg Bracket	M8	ST-10561	10x1/2x Flg "B"
21	57071	Nylon Hole Plug	M9	57172	Spacer
22	58679	Momentary Switch	M10	55278-02	Encoder Disc
23	57165	Standoff	M11	ST-11282	10x1 1/4 Hex Flg "B"
-			M12	ST-04813	Flatwasher
25	57070	Clamper Spring	M13	ST-09194	Retaining Ring
26	57064-1A	CD Lifter Bracket Assy	M14	57293	Drive Gear
27	56076	Magnet Holder	M15	ST-02586	10-32x 1 1/2 Hex Flg MS
28	ST-00867	Rivet	M16	56114	Spacer
29	57166-02	Clamper Plate	M17	ST-08717	10-32 Hex Nut

Item No.	Part No.	Description	Item No.	Part No.	Description
	SV-57189-A	Gripper Assembly	23	56185-1A	Inner Gripper Assy
1	SV-45421-03	Gripper Housing	24	54768	Spring Gripper
2	45422	Gripper Housing Bearing			
3	52268-2A	Brkt Gripper Rev. Rivet Assy			
4	ST-09747	Screw 10-32x3/8 Hex Flg			
5	ST-09720	Screw 10-32x1/2 Hex Flg			
6	34315-07	Gripper Spider			
-					
8	34399	Trunnion Shaft			
9	34877	Trunnion Shaft Button			
10	34312-02	Gripper Turnover Gear			
11	34311-04	Gripper Release Gear			
12	ST-03150	Flatwasher			
13	57169	Cam			
14	ST-04881	Flatwasher			
15	ST-06535	Screw 8-32x5/8 Phil Pan Hd			
16	56434-A	Gripper Shaft Assy			
17	34310-01	Gripper Shaft Gear			
18	ST-00534	Spiral Pin Medium duty			
19	34929	Gripper Shaft Thrust Washer			
20	ST-04828	Spring Washer			
21	34323-8A	Cam Gripper Arm Rev. Assy			
22	56015-1A	Gripper Arm Assy			

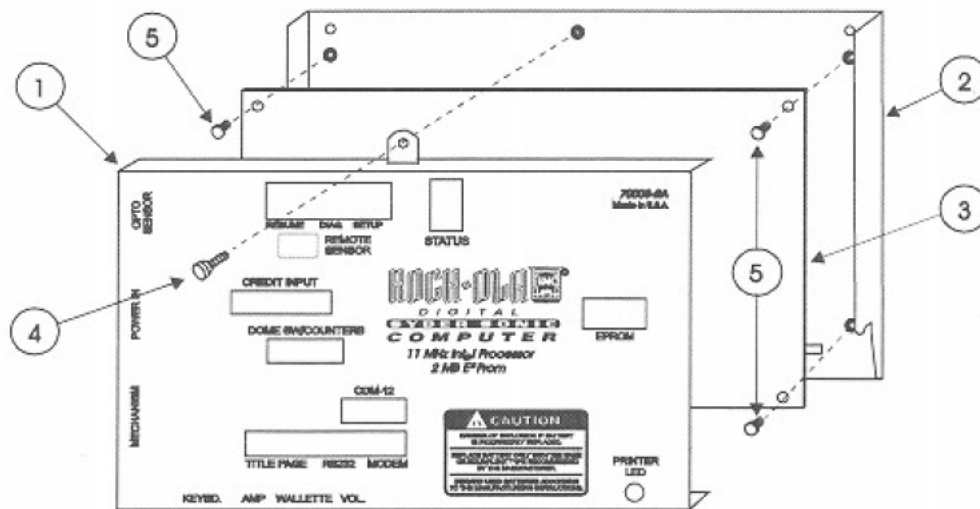


Dual Digital Amplifier SV-70135-A

Item No.	Part No.	Description
1	60621-A	Chassis, Dual Amp
2	40678-09500	Rubber Cushion 9.5"
3	58641	Switch, Corcom
4	ST-04346	Fuse, 8 Amp, 250v, fast blow (1 req) <i>(Domestic)</i>
	ST-11141	Fuse, 5A, 250V, fast blow (2 req) <i>(Export)</i>
5	60438-A	Harness, Amp Main Power
6	60622-A	Cover, Dual Amp
7	SV-60435-A	PCB, Digital Power Supply
8	SV-60441-1A	PCB, Digital Pre Amp
9	SV-60429-1A	PCB, Digital Aux Amp
10	SV-60442-A	PCB, Digital Power Amp
11	ST-11549	Standoff, 4-40 x 1/4"
12	60647-A	Harness, Power Amp
13	60648-A	Harness, Audio Output Panel
14	60649-A	Harness, Aux Amp Input
15	60643	Transformer Support Audio
16	SV-60455-A	Audio Output Panel PCB
17	ST-11429	Thumb Screw 6-32x3/8 (4 places)

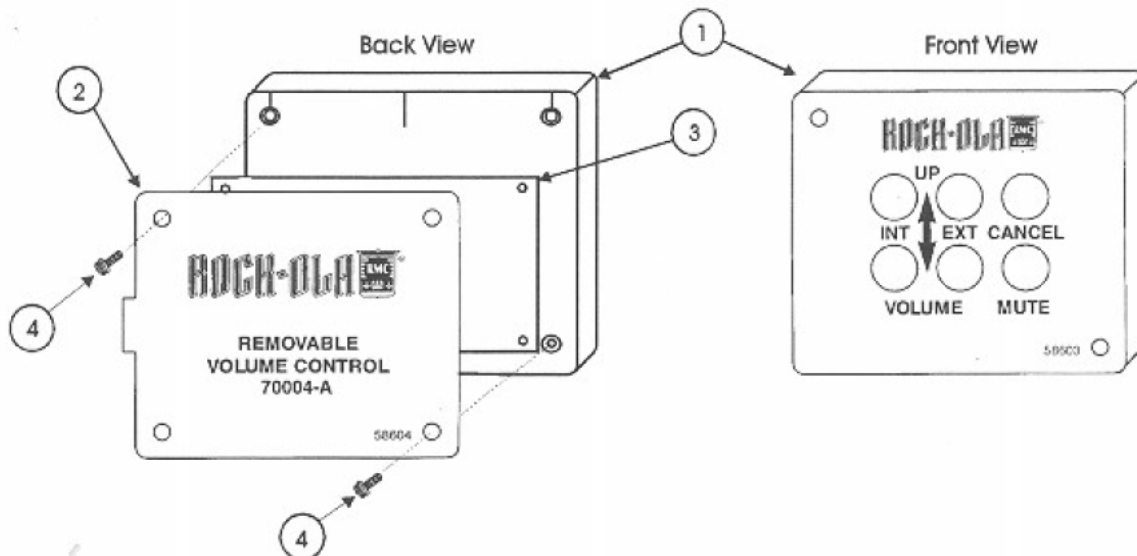


Computer Assembly SV-70003-2A



Item No.	Part No.	Description
1	58668-01	Computer Cover
2	58597	Computer Chassis
3	SV-58399-2A	Computer PC Board Assy
4	ST-11429	Thumb Screw
5	ST-02557	6-32x3/8 Hex Flg Screw

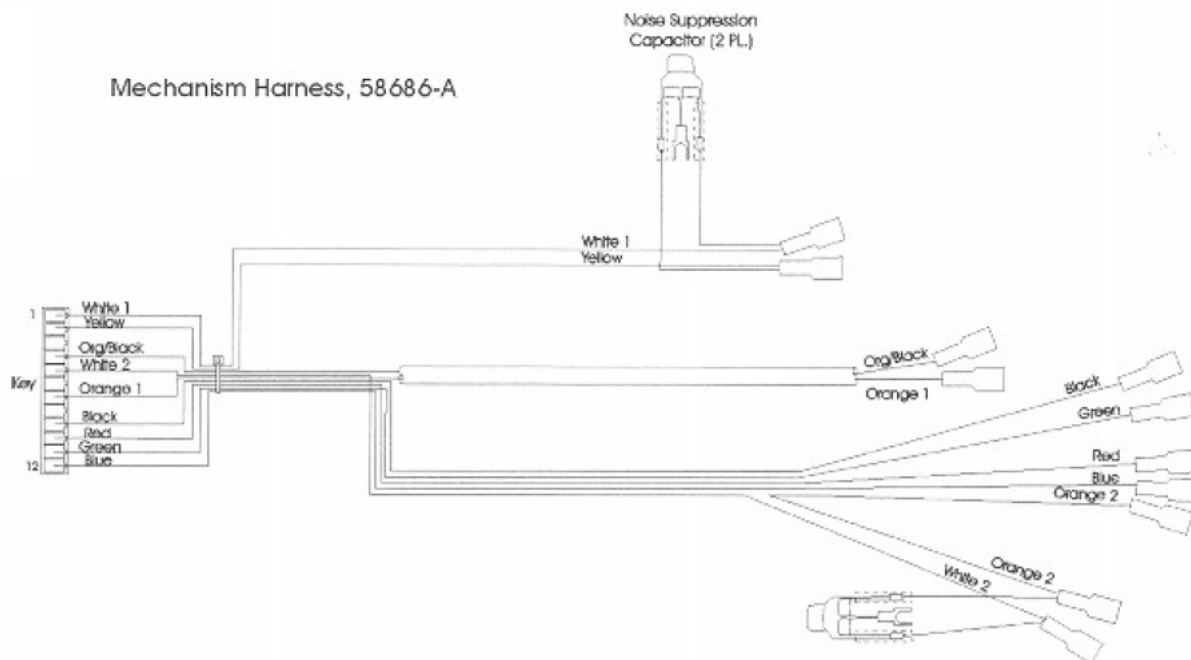
Volume Control Assembly SV-70004-A



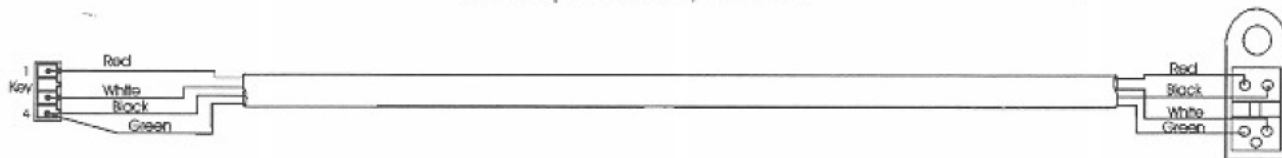
Item No.	Part No.	Description
1	58603	Volume Control Box
2	58604	Volume Control Plate
3	SV-58515-A	Volume Control PCB Assy
4	ST-04076	Tapping Screw 4 x 5/8 Pan Hd Type "B"

Cables

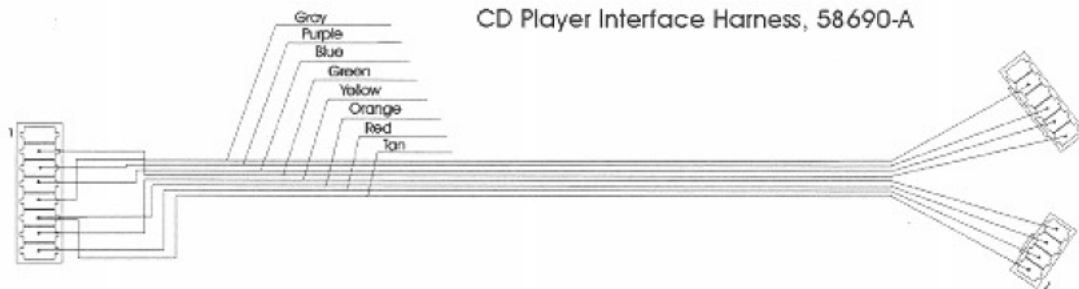
Mechanism Harness, 58686-A



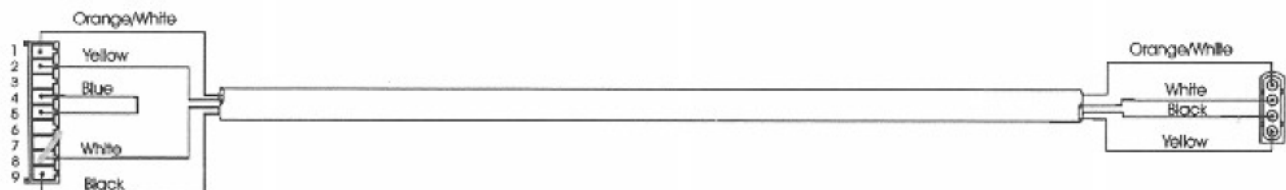
Mech Opto Harness, 58687-A



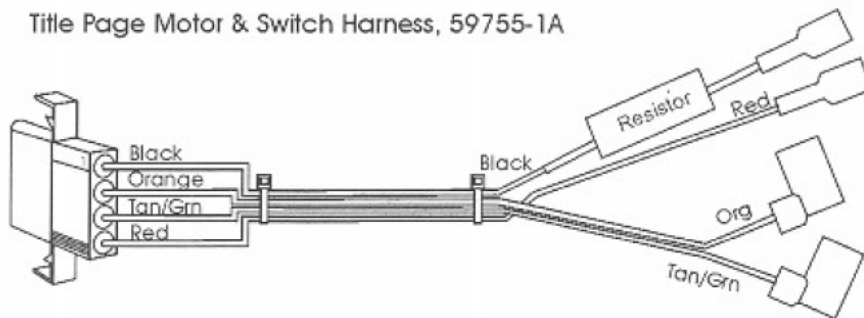
CD Player Interface Harness, 58690-A



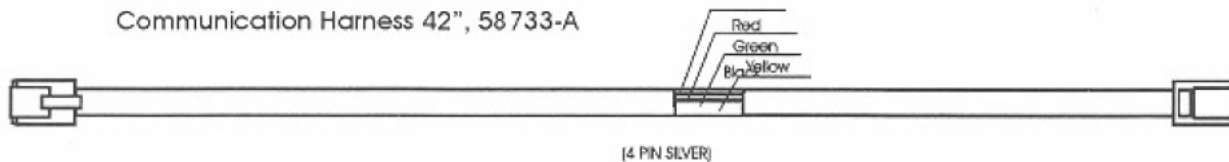
Title Page Harness, 58728-A



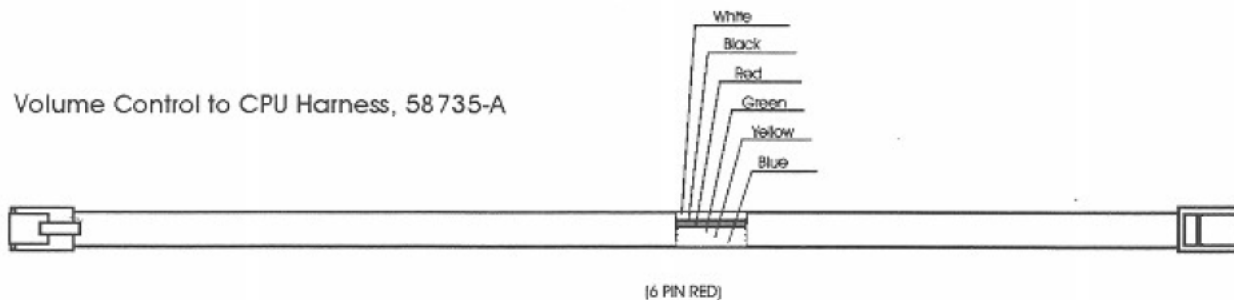
Title Page Motor & Switch Harness, 59755-1A



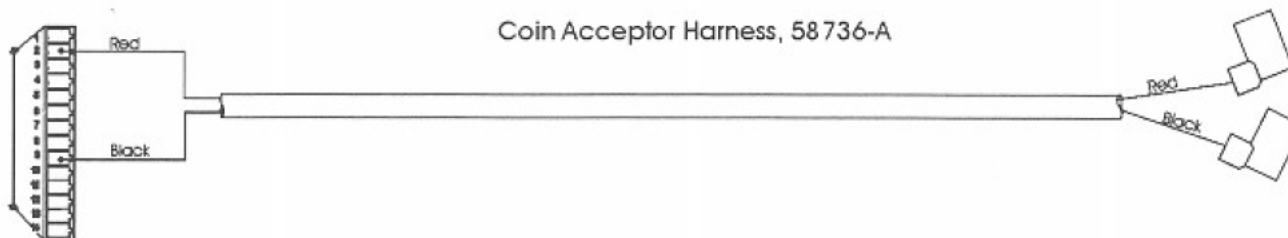
Communication Harness 42", 58733-A



Volume Control to CPU Harness, 58735-A



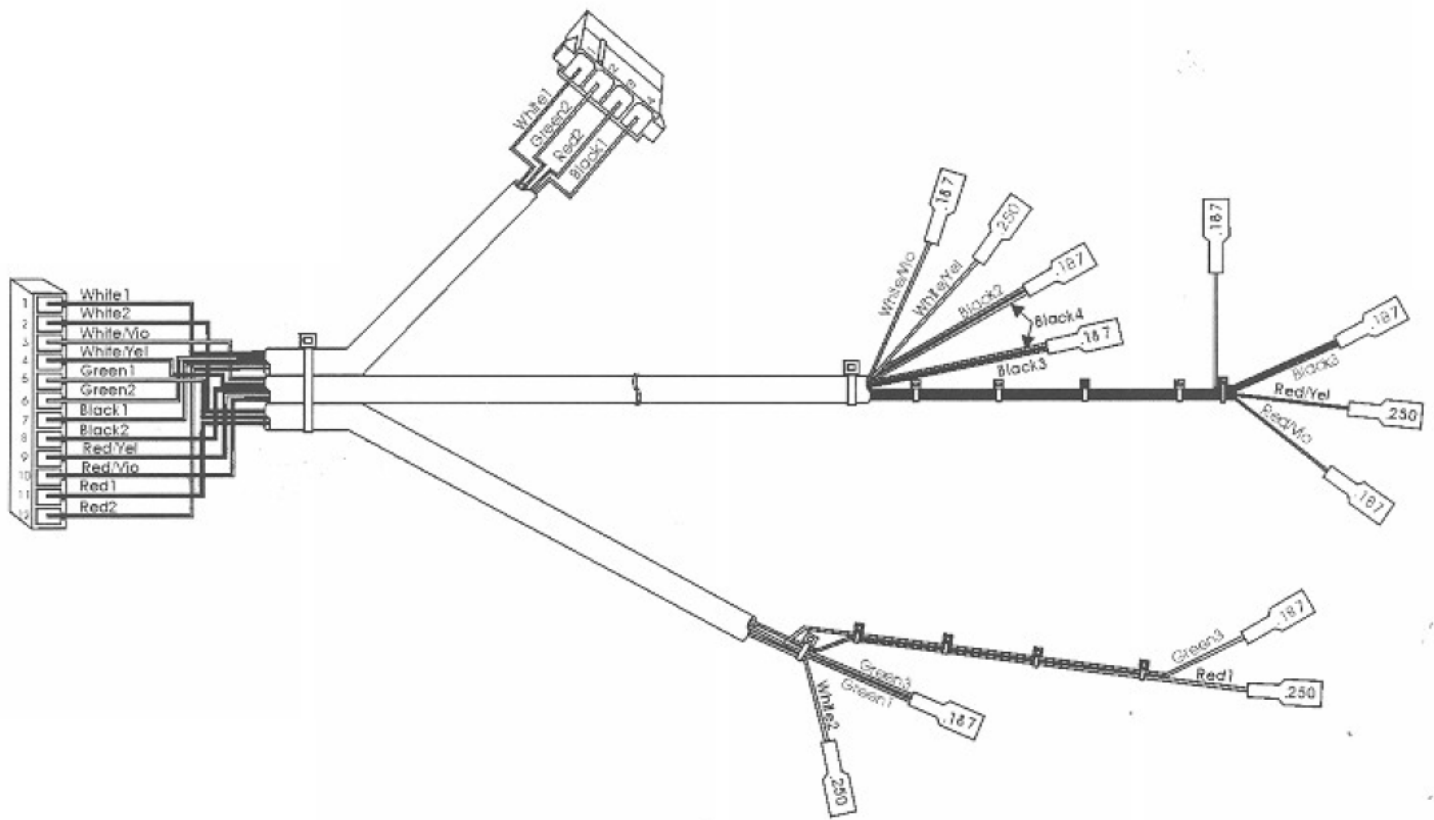
Coin Acceptor Harness, 58736-A



Service Switch Harness, 58738-1A



Universal Speaker Harness, 58932-A



Audio Cable 48", 56670



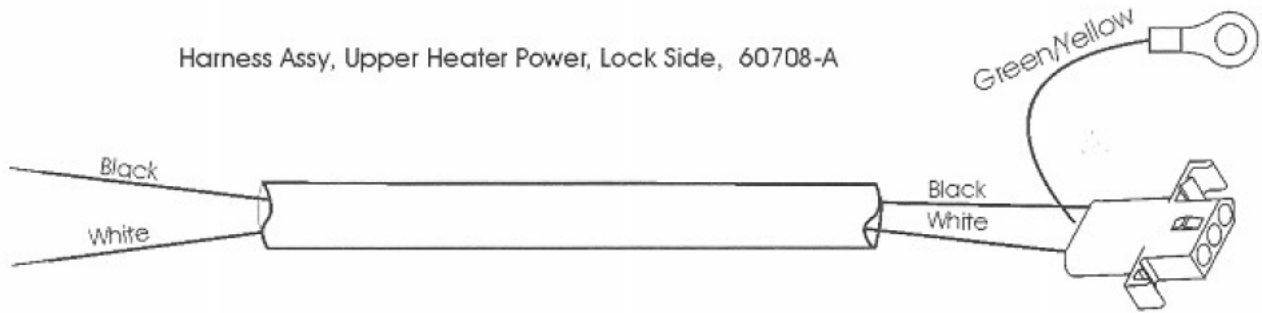
Ground Strap Harness

38" - 59511-A

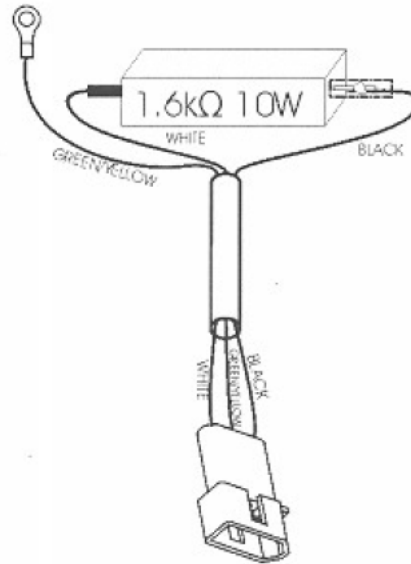
4-1/2" - 60742-A



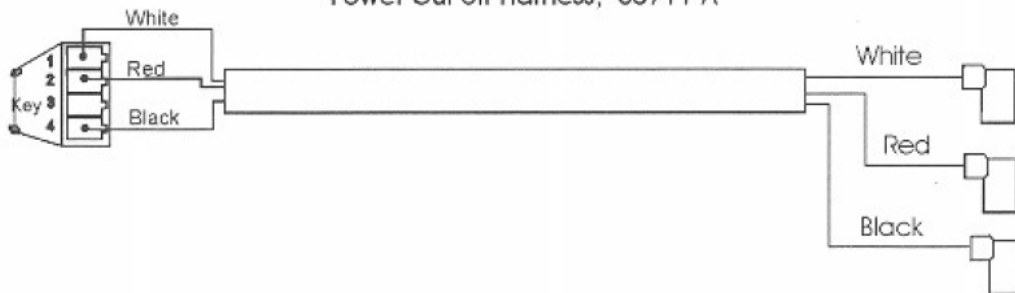
Harness Assy, Upper Heater Power, Lock Side, 60708-A



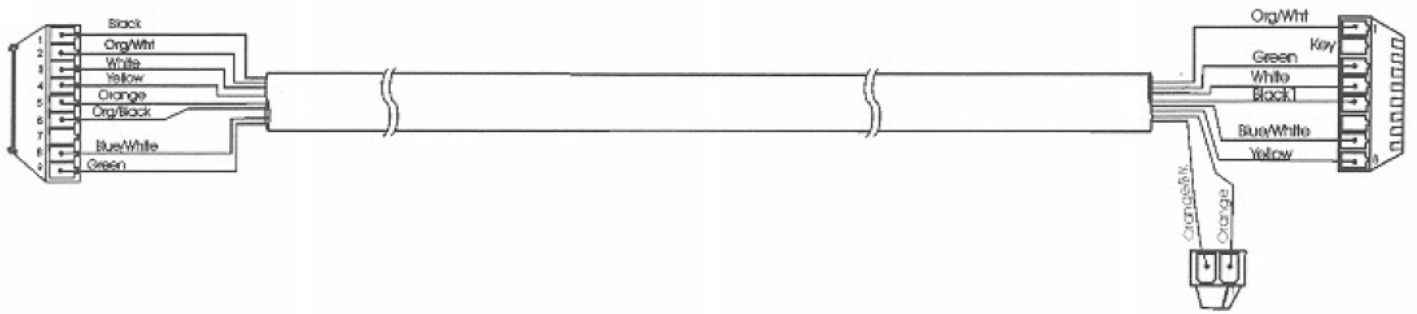
Heater Resistor Harness, 60710-A



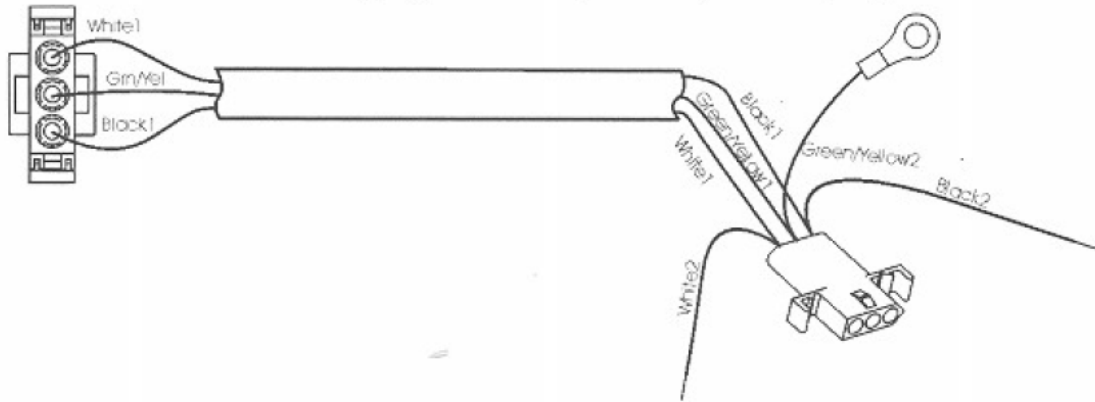
Power Cut off Harness, 60711-A



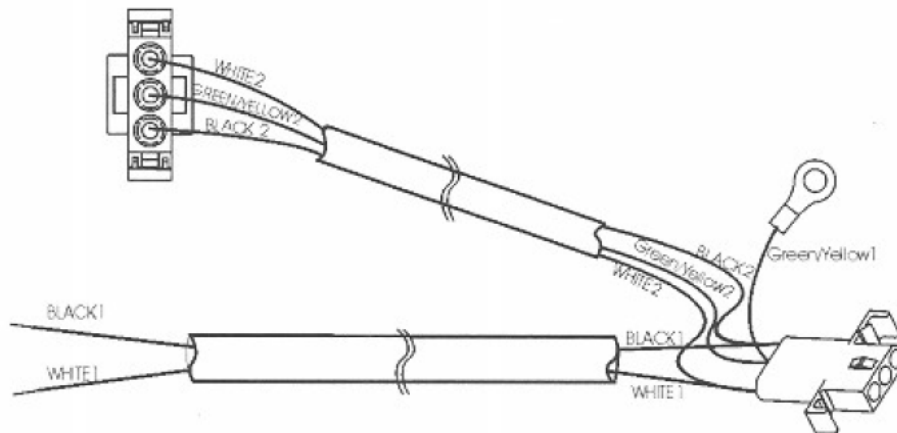
Power Supply to CPU Harness, 60712-A



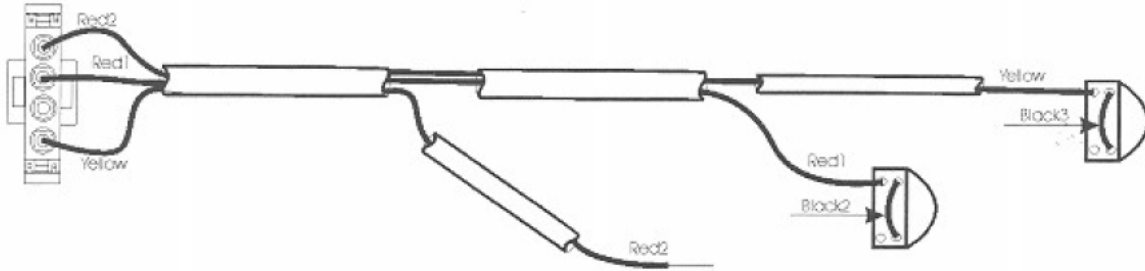
Harness Assy, Light Bar Power, Hinge Side, 60713-A (short)
 Harness Assy, Light Bar Power, Lock Side, 60714-A (Long)



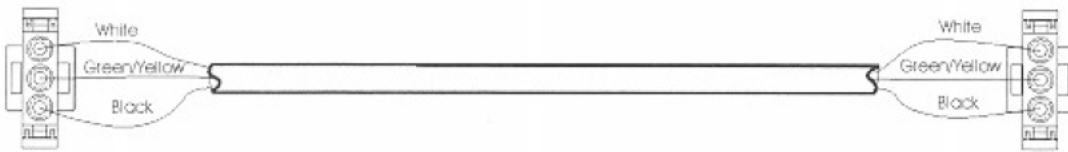
Light Arch Power Harness, 60715-A



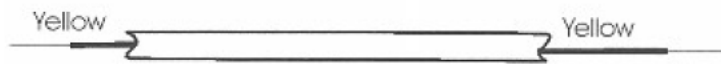
Title Page Lighting Harness, 60716-A



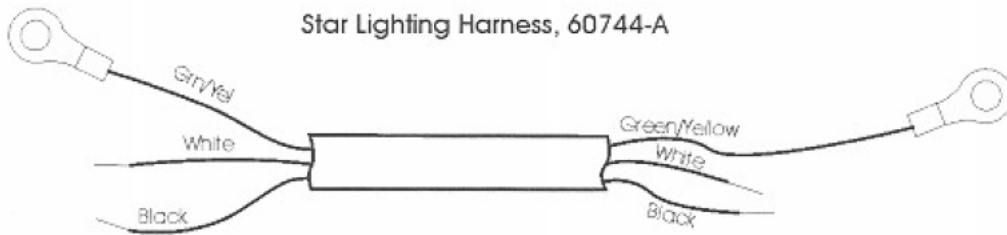
Power Supply to Junction Box Harness, 60729-A



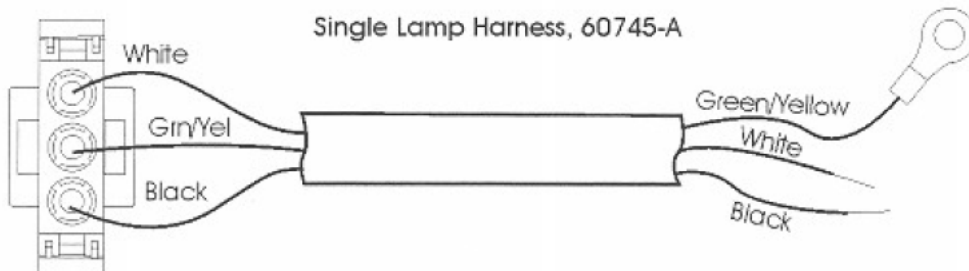
Logo Lighting Harness, 60735-A



Star Lighting Harness, 60744-A



Single Lamp Harness, 60745-A



Kits and Accessories

PART NO.	DESCRIPTION
	Items shipped in the cash box (I.R. Remote Control Package)
SV-58752-A	Standard I.R. Remote Control
SV-60046-A	Remote I.R. Receiver Assembly
SV-59891-A	I.R. Receiving Interface PCB Assembly
58810	Remote Sensor Enclosure
ST-10410	Screw, 4-40 x 3/8 Phil Pan Hd Sw.
58789-A	I.R. Remote Harness
58839-01	Instructions
	Service Envelope: (contains the following:)
56202-02	Pricing Sheet
60753	Title Strips, Single (25)
57279-02	Title Strips, Double (34)
60761	Operation & Service Manual with Parts Catalog
60511-02	Quick Find Reference Programming Sheet
60457-02	* Spanish (for Mexico)
57022-03	Warranty Card (Domestic)
58180-02	* (for Mexico)
59515	* (for Export)
55004	Application Form
58141	Number Strip
60670-01	Price Card, Blank (Domestic)
60683	Decal, DBA \$1 & \$1/2/5 (Domestic)
60685-A	Harness, Speaker Adaptor
60704-A	Terminal Kit
60685-A	Adaptor Harness
	Optional Kits:
SV-58751-A	Deluxe Remote Control
02379-02	Yoga Microphone Kit
02451	Serviceman's Kit
02410	Counter Kit
02414	Volume Accessory Unit Kit
02450	Audio Distribution Package, Digital Amp
02417-02	Telecommunications Kit
02436	Mars Dollar Bill Acceptor Kit