



CD-100E

LaserStar IV

*Compact Disc
Phonograph*

Field Service Manual
& Parts Catalog

Volume 2 of 2

CBA-2 Maintenance, Troubleshooting, Adjustments, Parts Catalog

PART NO. 21822629
SECOND EDITION

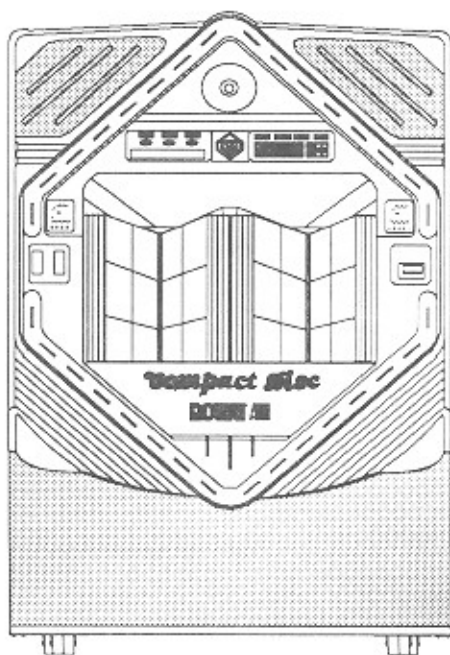
CD-100E

LaserStar IV

Compact Disc Phonograph

Field Service Manual
And Parts Catalog

Volume 2



 **ROWE**

ROWE INTERNATIONAL INC.

1500 UNION AVE, SE • GRAND RAPIDS, MI 49507 - 1884
(616) 243-3833

Printed in USA

PART NO. 21822629
Second Edition
First Printing June 1994

This page intentionally left blank

Table of Contents

SECTION 4 — CBA-2 MAINTENANCE

System Description	4-1
Equipment Description	4-1
Transport	4-1
Logic Board	4-1
Bill Acceptor Transport/Stacker	4-1
Magnetic Head	4-1
Anti Cheat Lever and V ₄ Sensor	4-2
Transport/Stacker Drive	4-2
Bill Acceptor Logic Board	4-2
Power and Status LED's	4-2
Reset Pushbutton	4-2
Functional Description	4-2
Power Up Sequence	4-3
Acceptor in Standby Mode (Ready to Accept Bills)	4-3
Problems that may Arise in Standby Mode	4-3
Actions Taken	4-3
Bill Acceptance Mode	4-4
Routine Maintenance	4-11
Tools Required	4-11
Removing Jammed Bills from Bill Acceptor	4-11
Bill Jamming Checklist	4-12
Cleaning	4-12
Lubrication	4-12
Mechanical Adjustments	4-13
Belt Adjustment	4-13
Gear Backlash Adjustment	4-14
Stacker Home Switch Adjustment	4-15
Magnetic Head Alignment	4-15
Removal and Replacement Procedures	4-15
Removing Inlet	4-15
Removing Watershield	4-16
Re-installing the Watershield	4-16
Removing the Lower Harness and Cell Assembly	4-16
Re-installing the Lower Harness and Cell Assembly	4-17
Troubleshooting Aids	4-19

SECTION 5 — TROUBLESHOOTING

Introduction	5-1
Troubleshooting Aids	5-1
Replacing the CCC Eprom / Factory Default	5-2
Free Play	5-2

Table of Contents

SECTION 5 — TROUBLESHOOTING *(Continued)*

CD Module Functions	5-2
Digital Display Module	5-2
Title Rack - Keyboard Interface Module	5-2
CCC	5-2
Mechanism Control	5-3
CBA-2 Logic Board	5-3
Sequence of Operation	5-3
CCC	5-4
Mechanism Control	5-4
CBA-2	5-4
Digital Display	5-4
Status Lamps	5-10
Main Power Supply LED's	5-10
Mechanism Control and CD Decoder	5-10
Central Control Computer	5-11
Digital Display	5-11
CBA-2	5-11
Errors and Warnings	5-12
Basic Concepts	5-12
Errors (ERR)	5-12
Warnings (WARN)	5-12
Viewing the Errors and Warnings	5-12
Error and Warning Summary	5-15
Description of Errors/Warnings and Probable Causes	5-16
Clearing Errors/Warnings from Memory	5-21
Disc Conditions	5-22
Basic Concepts	5-22
Programmable Disc Condition Logging	5-22
Skip Log (Service Code 35)	5-22
Skip Cancel (Service Code 36)	5-22
Time Cancel (Service Code 37)	5-22
Factory Settings	5-22
Non-Programmable Disc Condition Logging	5-22
Logged Track Number equals 00	5-22
Logged CANCL and SKIP Equals 99	5-22
Logged CANCL equals 99 and SKIP equals 77	5-23
Logged CANCL equals 99 and SKIP equals 88	5-23
Viewing Disc Conditions	5-23
Clearing Disc Conditions from Memory	5-26
Troubleshooting Charts	5-27
Sound System Quick Checks	5-38
No Sound - Both Channels	5-38
No Sound, Low Sound or Distorted Sound Right or Left Channel Only	5-38
Constant High Volume - Can Not Adjust	5-40
Excessive Hum	5-40

Table of Contents

SECTION 5 — TROUBLESHOOTING *(Continued)*

Components Lists

Main Power Supply	5-44
Preamplifier Board	5-50
Amplifier Driver Board	5-60
Crossover	5-63
Display Assembly	5-68
Central Control Computer	5-78
Mech. Control	5-94

SECTION 6 — MECHANICAL ADJUSTMENTS

Lubrication	6-1
Unscheduled Maintenance	6-1
Mechanism Maintenance And Adjustments	6-1
CD Player Mechanism	6-1
CD Player Maintenance	6-1
Removing The CD Player And Mechanism Control Unit	6-2
Hold Down Assembly And Hold Down Plate Height	6-4
Service Check	6-4
Adjustment	6-4
Hold Down Lifting Cam Adjustment	6-4
Hold Down Plate Centering	6-5
Optical Switch Adjustment	6-5
Sprag Assembly	6-6
Adjustments	6-6
Sprag Assembly Removal	6-7
Disc Magazine Transfer Arm And Support	6-7
Adjustment	6-7
Cam Switch	6-8
Adjustments	6-8
Cam Switch Check And Adjustment	6-8
Magazine Belt Adjustment	6-9
Title Rack Switch Adjustment	6-10
Title Page Re-Synchronizing	6-11

SECTION 7 — MISCELLANEOUS

CD-100E Specifications	7-1
Power Requirements	7-1
CD Player And Changer	7-1
Credit And Pricing System	7-1
Sound System	7-2
Door Lighting	7-2
Fuses And Circuit Breakers	7-3
Resistor Code Chart	7-5

Table of Contents

SECTION 8 — PARTS CATALOG

CD-100E Code Sheet	8-2
Introduction	8-3
Catalog Description	8-3
Parts List Description	8-3
Ordering Replacement Parts	8-3
Parts Catalog	8-5
Accessory Equipment	8-54

FREQUENTLY USED FIGURES AND TABLES for Volume 2

Accessory Equipment (<i>Table 8-1</i>)	8-54
Block Diagram, CD-100E (<i>Figure 5-1</i>)	5-9
Central Control Computer	
I/O Matrix (<i>Table 5-3</i>)	5-82
Schematic (<i>Figure 5-12A</i>)	5-71
Crossover Network (<i>Figure 5-8C</i>)	5-62
Display Assembly Schematic (<i>Figure 5-11</i>)	5-67
Harness Diagram, System (<i>Figure 5-4</i>)	5-39
Main Power Supply	
Schematic (<i>Figure 5-5B</i>)	5-41
Wiring Diagram (<i>Figure 5-5A</i>)	5-40
Mechanism Control	
Block Diagram (<i>Figure 5-13A</i>)	5-85
Connecting Diagram (<i>Figure 6-2</i>)	6-3
Schematic (<i>Figure 5-13B</i>)	5-87
CBA-2 Circuit Board Schematic (<i>Figure 5-12A</i>)	4-19
Power Amplifier Schematic (<i>Figure 5-8A</i>)	5-59
Preamplifier Schematic (<i>Figure 5-7A</i>)	5-47
Resistor Color Code (<i>Figure 7-2</i>)	7-5
Transformer	
Output Voltages (<i>Figure 5-9</i>)	5-64
Wiring Diagram (<i>Figure 5-10</i>)	5-65
Troubleshooting Chart	
Modular (<i>Table 5-2</i>)	5-28
CBA-2 (<i>Table 4-1</i>)	4-15

This page intentionally left blank

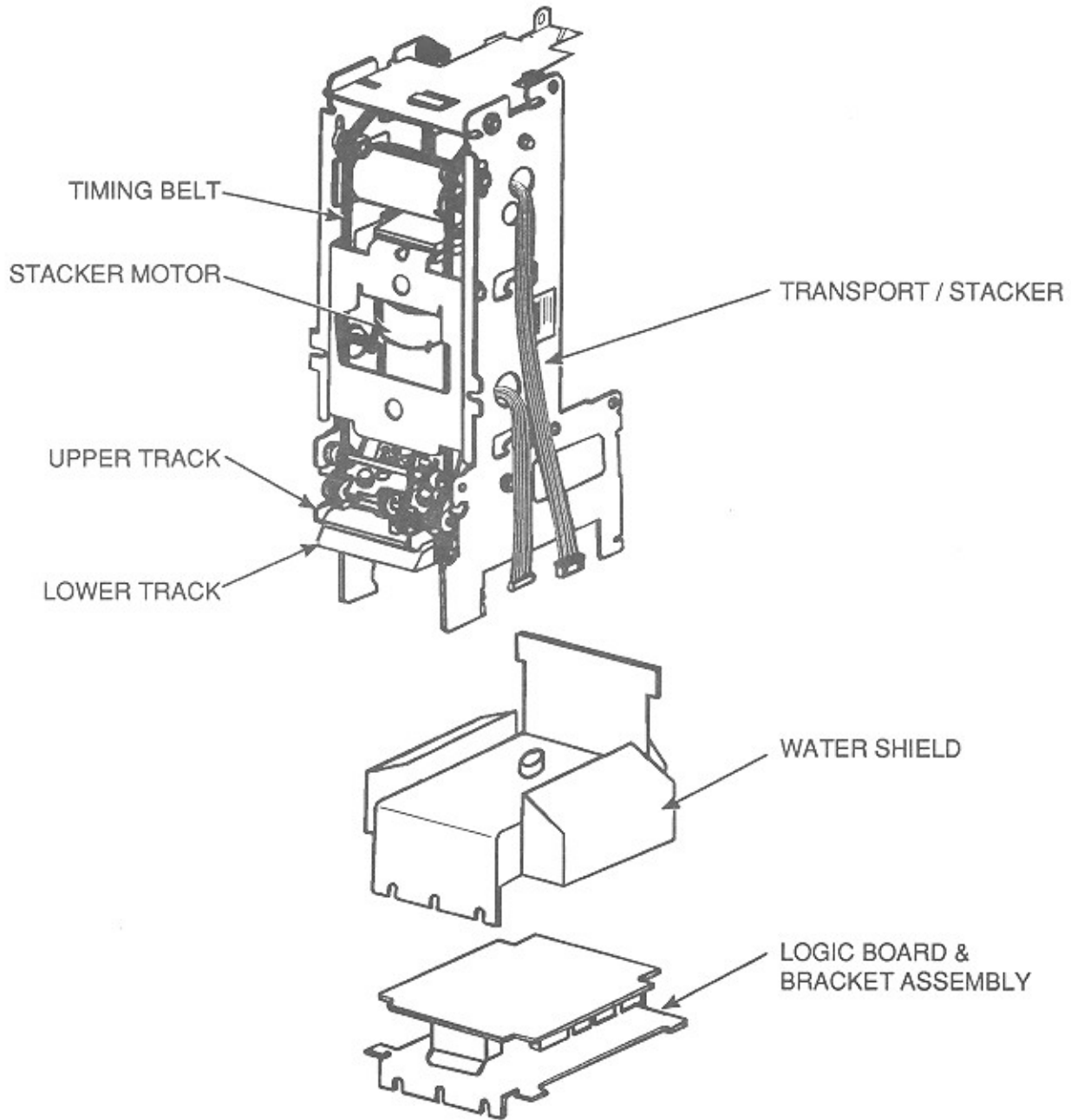


Figure 4-1. CBA-2 Components