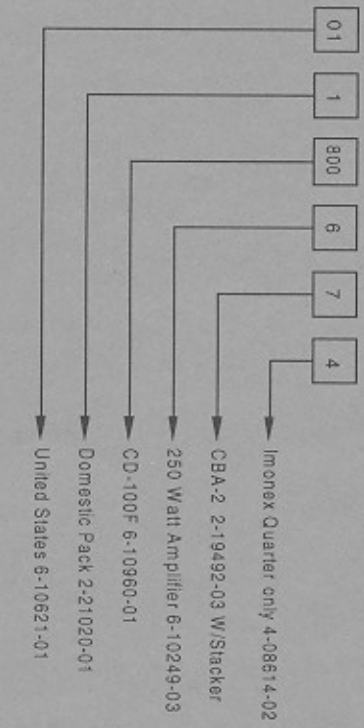
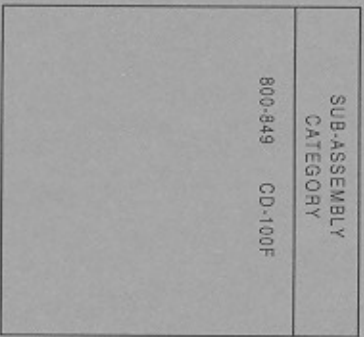


Section 8: Parts Catalog

CD-100F CODE SHEET	8-2
INTRODUCTION	8-3
Catalog Description	8-3
Parts List Description	8-3
Ordering Replacement Parts	8-3
CD-100F EXTERNAL VIEW	8-4
CD-100F TOP DOOR ASSEMBLY	8-6
TABLE 8-1. PRICE CARD PART NUMBERS	8-6
CD-100F FRONT DOOR ASSEMBLY	8-10
TITLE RACK ASSEMBLY	8-12
CD-100F INTERNAL VIEW	8-16
ANIMATION ASSEMBLY	8-18
CBA-2 BILL ACCEPTOR ASSEMBLY	8-19
Transport Assembly	8-22
Upper Track	8-24
Lower Track	8-25
Motor & Gear Assembly	8-26
Stacker Assembly	8-27
STEREO AMPLIFIER ASSEMBLY	8-28
Heat Sink Detail	8-30
Output Transformer Assembly	8-31
Main Power Supply	8-32
Central Control Computer Assembly	8-34
MECHANISM ASSEMBLY	8-36, 38, 40, 42
Sprag Assembly	8-44
Cam Switch and Motor Assembly	8-45
TABLE 8-2. ACCESSORY EQUIPMENT	8-46

COUNTRY 1st & 2nd DIGIT	PACK 3rd DIGIT	EAGLE SUB-ASSEMBLY 4th & 5th & 6th DIGIT	AMPLIFIER 7th DIGIT	BILL ACCEPTOR 8th DIGIT
01 = US	1 = DomPack = 2-21020-01	800 = Gold (60 HZ) = 6-10960-01 801 = Gold (50 HZ) = 6-10960-02 802 = Red (60 HZ) = 6-10960-03 803 = Red (50 HZ) = 6-10960-04	0 = None 1 = 2 = 3 = 4 = 5 = 6 = 250W Amp. 7 = 250W Amp 6-10249-03 with 3-068322-09 Remote Volume Control	0 = None 1 = 2-19801-02 RBA (Mexico) 2 = 2-19801-03 RBA (Argentina) 3 = 4 = 5 = 6 = 7 = CBA-2-19492-03 W/Stacker (45)
02 = Arg	6-10961-02			
03 = Australia	6-10961-03			
04 = Aus	6-10961-04			
05 = Bah	6-10961-05			
06 = Belg	6-10961-06			
07 = Canada	6-10961-07			
08 = Chile	6-10961-08			
09 = Col	6-10961-09			
10 = Costa R	6-10961-10			
11 = Neut. SIK	6-10961-11			
12 = Denmark	6-10961-12			
13 = Ecuador	6-10961-13			
14 = El Salv	6-10961-14			
15 = England	6-10961-15			
16 = Finland	6-10961-16			
17 = France	6-10961-17			
18 = Germany	6-10961-18			
19 =				
20 = Guat	6-10961-20			
21 = Holland	6-10961-21			
22 = Hon	6-10961-22			
23 = Italy	6-10961-23			
24 = Belize	6-10961-24			
25 = Japan	6-10961-25			
26 = Mexico	6-10961-26			
27 = Nic	6-10961-27			
28 = Norway	6-10961-28			
29 = Aruba	6-10961-29			
30 = Panama	6-10961-30			
31 = Curacao	6-10961-31			
32 = Spain	6-10961-32			
33 = Sweden	6-10961-33			
34 = Swiss Fr	6-10961-34			
35 = Swiss Ge	6-10961-35			
36 = Swiss It	6-10961-36			
37 = Trinidad	6-10961-37			
38 = Eng Video	6-10961-38			
39 = Venez	6-10961-39			
40 = Zambia	6-10961-40			
41 = Puerto R	6-10961-41			
42 = Guyana	6-10961-42			
43 = Brazil	6-10961-43			
44 = Barbados	6-10961-44			
45 = Surinam	6-10961-45			
46 = Yugo	6-10961-46			
47 = S. Africa	6-10961-47			
48 = US (220V)	6-10961-48			
49 = US (240V)	6-10961-49			
50 = Singapore	6-10961-50			
51 = Israel	6-10961-51			
52 = Korea	6-10961-52			
53 = Greece	6-10961-53			
54 = Portugal	6-10961-54			
55 = Hungary	6-10961-55			



COIN ACCEPTOR
9th DIGIT

0 = None*	
1 =	
2 =	
3 =	
4 = 25.4 Imonex 3 1/2 inch	
5 = Kit-Coin Comparator (CC-40)	3-09831-01*
6 = Kit-Slug Ref. (Mars 330 3 1/2 in.)	2-21063-01
7 = Kit-Slug Ref. (Coin Controls C120 3 1/2 in.)	2-19944-07
8 = Kit-Slug Ref. (Microcoin 55 3 1/2 in.)	2-19944-08
	2-19944-09

* Requires 2-19902-02

INTRODUCTION

This parts catalog lists replacement parts for the phonograph. The purpose of this parts catalog is to locate and identify replaceable components and supply information on how to order them.

Catalog Description

This catalog is divided into major sections labeled with figure numbers, which correspond to the illustrations used. Some assemblies require more than one illustration to identify the parts. Each page has a sheet number to identify the sheet as part of that assembly's parts list.

Replacing parts that are welded or riveted onto an assembly is normally impractical. Therefore, replacement parts are not listed for these items. The assembly containing the welded or riveted part should be replaced.

Parts List Description

The parts list contains four columns:

- **Figure, Sheet, and Index Number** — The first entry in this column is the figure number of the corresponding illustration. An index number, when listed, corresponds to the index number appearing on the illustration. Index numbers are not used when items are listed for reference purposes only or when the item listed is an alternate part.
- **Rowe Part Number** — This column lists the part number to use when ordering replacement parts or making inquiries.
- **Description** — This column gives a word description of each part or assembly. Each item is indented to show its relationship to the next higher assembly.
- **Qty.** — This column contains the part quantity used in the assembly. When a figure describes more than one model of an assembly, the "Qty" column is divided to show each model.

Ordering Replacement Parts

All replacement parts must be ordered directly from an authorized Rowe Distributor.

Once the replacement item has been determined, complete a Standard Parts Order Form (available from your Rowe Distributor at no charge). Very often parts orders are delayed because of inadequate or incomplete parts order forms. To enable prompt delivery, always specify the following information:

- Part Number and Description (indicate color, if applicable)
- Quantity required
- Machine Model and Serial Number
- Complete shipping address, including the ZIP code
- Shipping Instructions must be supplied. If the shipping method is Parcel Post, Air Parcel Post, United Parcel Service, or Air UPS, and the packages may exceed the size and weight limits of these services, indicate an alternate shipping method.

If the shipment must be delivered as fast as possible, specify "Fastest Way". Rowe will select the carrier for orders that justify shipment by truck.

Figure 8-1. CD-100F Phonograph External View
Sheet 1

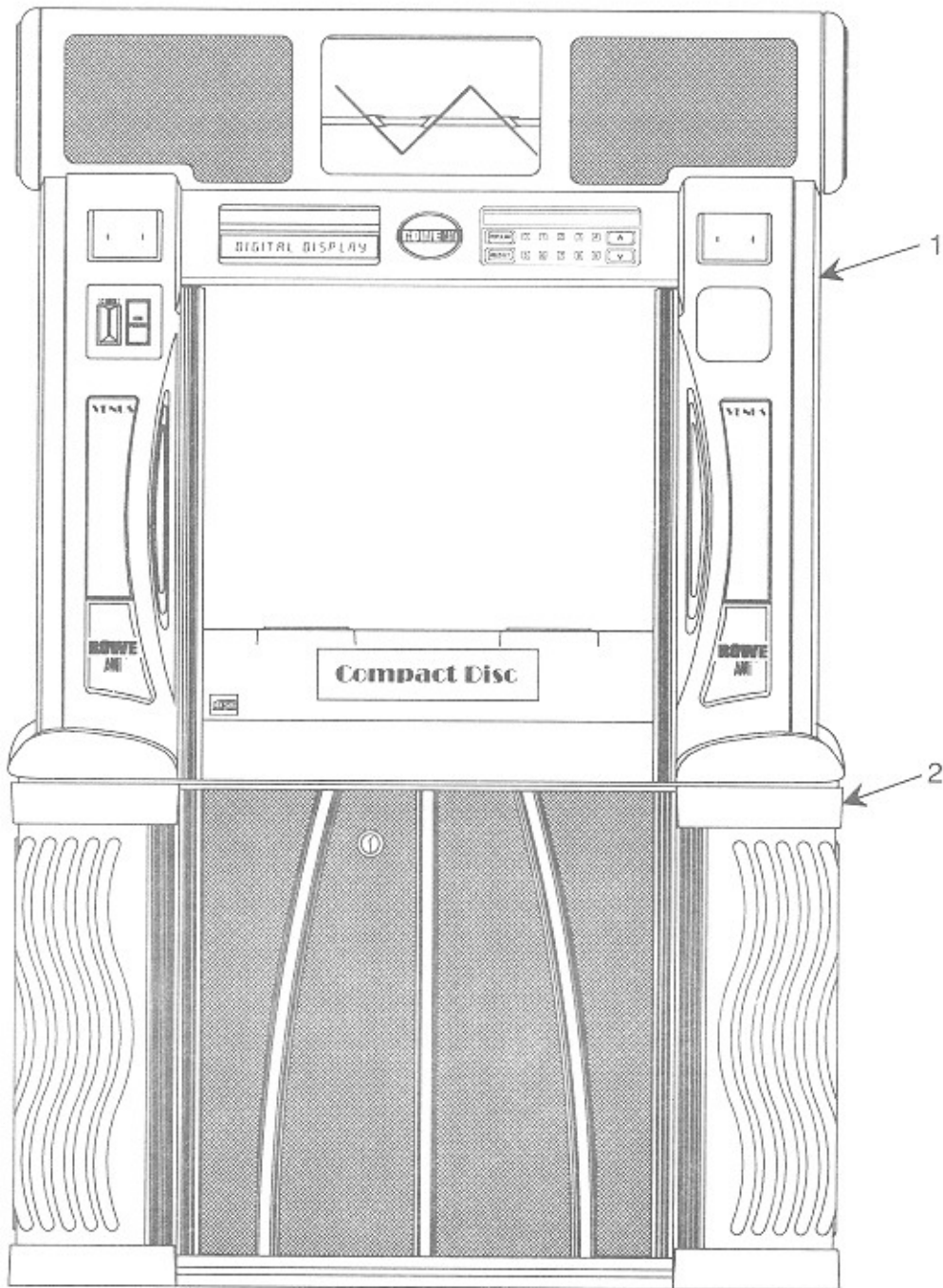


Figure 8-1. CD-100F Phonograph External View

Ref.	Part No.	Description	Qty.
1	61098901/02	Top Door Assembly (See Figure 8-2)	1
2	61098501/04	Front Door Assembly (See Figure 8-3)	1

Figure 8-1. CD-100F Phonograph External View
Sheet 2

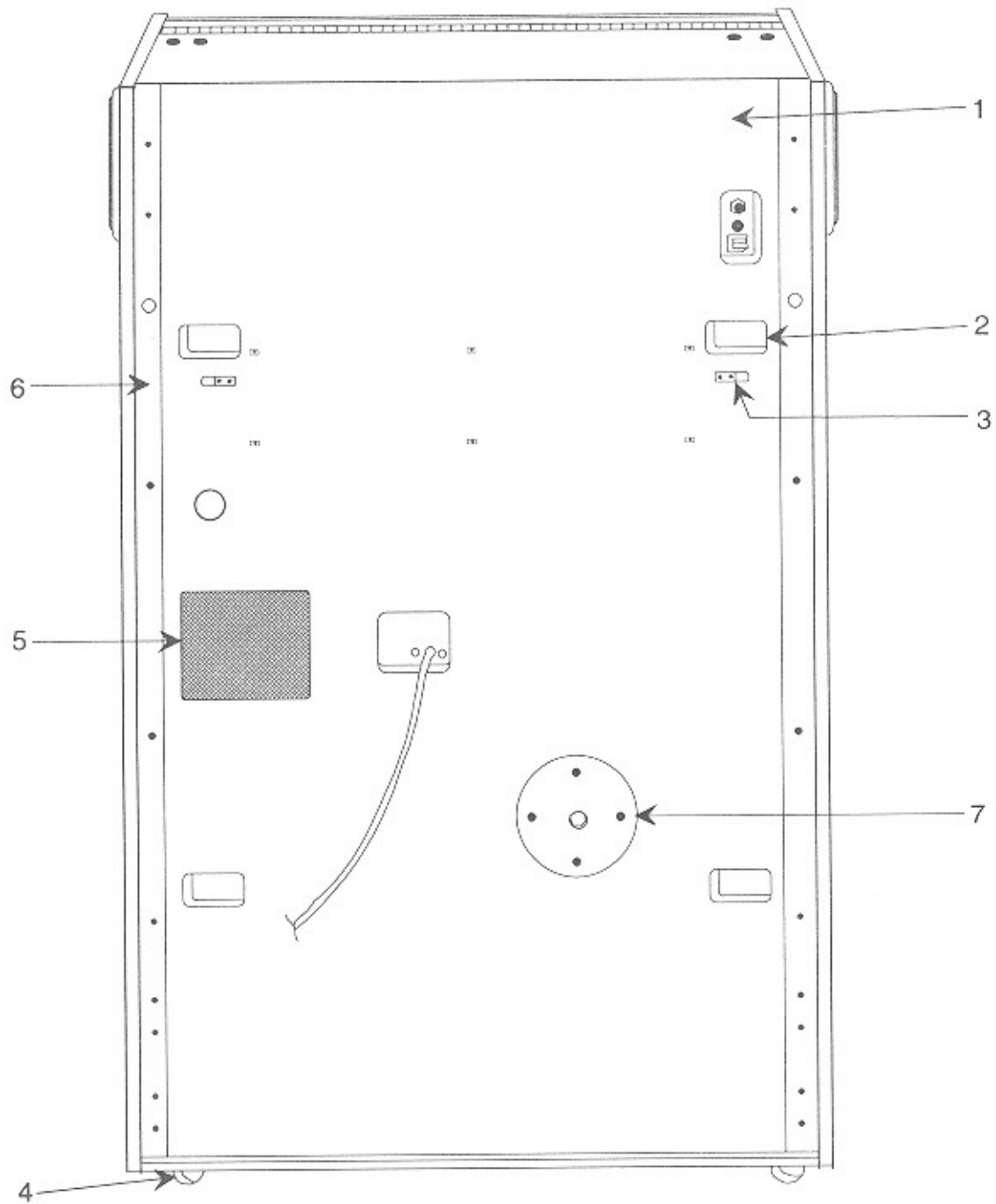


Figure 8-1. CD-100F Phonograph External View

Ref.	Part No.	Description	Qty.
1	61097001	Shell Assembly	1
2	30625701	Hand Hold Cover	4
3	20879501	Retainer Bracket (Power Cord)	2
4	30973101	Caster and Cup Assembly	2
5	30868405	Enclosure Screen	1
6	40702813	Skid Rail	4
7	21265203	Tie Down Plate Assembly	1

Figure 8-2. CD-100F Phonograph Top Door Assembly Sheet 1

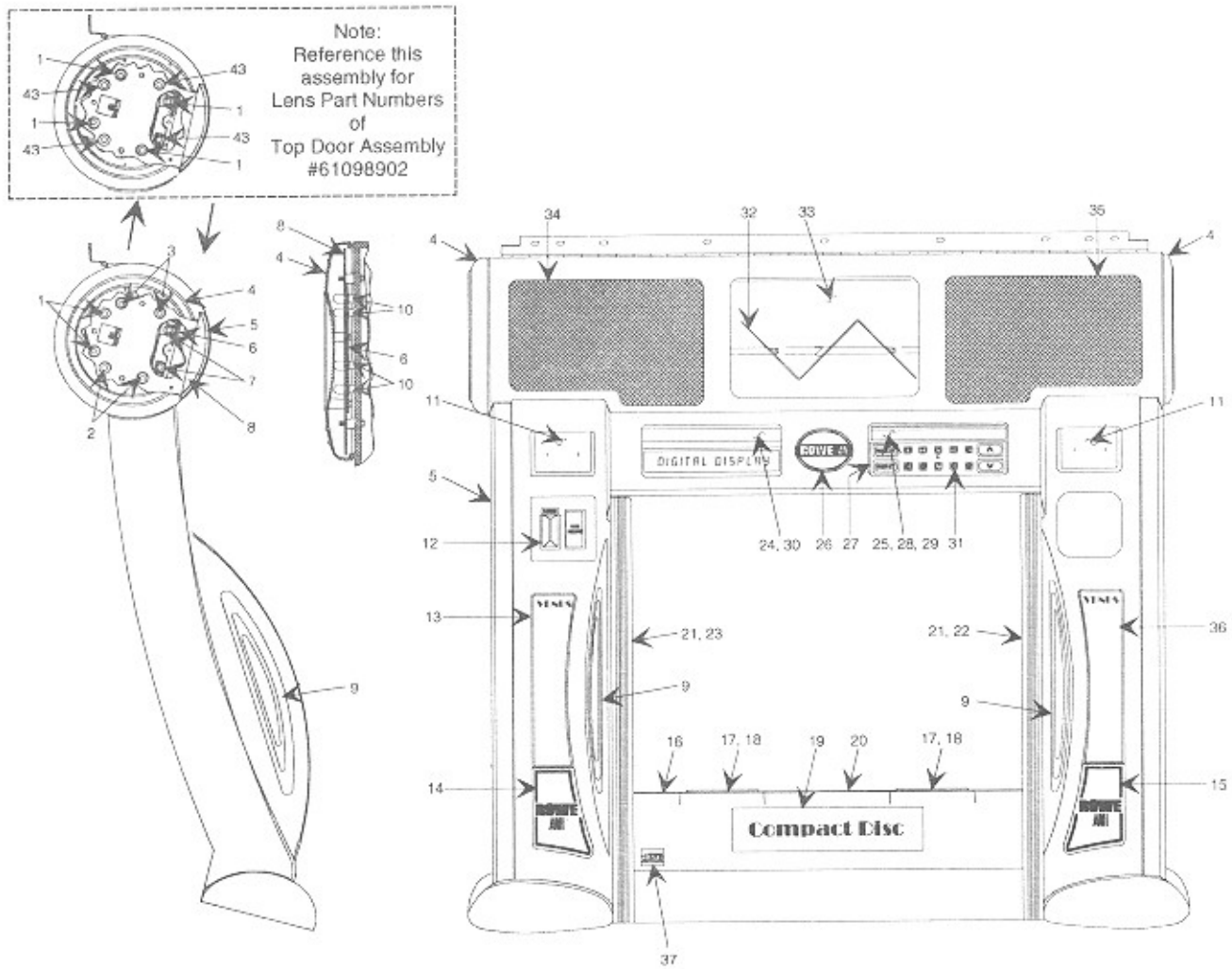


Table 8-1. Price Card Part Numbers

Price Card Language	Price Card	Readout Card	Selector Graphics Card
Standard U.S.	30931301	30982501	30944708
Universal U.S.	30931302	30982501	30944703
Hungary	30940506	30982510	30944710
Spanish	30940501	30982503	30944703
German	30940502	30982504	30944704
French	30940503	30982505	30944705
Universal	30940506		
Finland	30940504	30982506	30944706
Universal Price Sheet	61031402		

Figure 8-2. CD-100F Top Door Assembly (Sheet 1)

Ref.	Part No.	Description	Qty.
	61098901	CD-100F Top Door Assembly	Ref.
	*61098902	CD-100F Top Door Assembly (Red)	Ref.
1	30866504	Lens - Magenta	4
	*30866504	Lens - Magenta	8
2	30866501	Lens - Brown	4
3	30866506	Lens - Orange	4
4	61099601	End Cap	2
5	61097101	Door Frame	1
	*61097102	Door Frame	1
6	34002301	PWB - End Cap	2
7	30866505	Lens - Red	4
8	34002401	Mounting Plate - End Cap	2
9	61101601	Title Rack Lens	2
10	21862201	Lamp & Socket Assembly	20
11	21845613	Window	2
12	40880601	Coin Inlet	1
13	34002801	Side Decal - Left	1
14	34002601	AMI Card - Left	1
15	34002701	AMI Card - Right	1
16	25223101	Label - Flag	1
17	30921502	License Frame - White	2
18	21921001	License Retainer	2
19	34003001	Decal - Compact Disc	1
20	61102101	Window Diffuser	1
21	70225009	Foam Rubber Extrusion	1
22	40881201	Window Trim - Right	1
23	40881101	Window Trim - Left	1
24	21845610	Digital Display Window	1
25	22103501	Window Retainer - Digital Display	2
26	34001801	Decal - Rowe AMI	1
27	61040802	Keyboard Trim	1
28	21845616	Window	1
29	22103301	Window Retainer - Keyboard	1
30	22103401	Window Retainer - Keyboard	1
31	40839406	Keyboard Assembly	1
32	61101501	Animation Assembly	1
33	61095201	Animation Window	1
34	61100801	Upper Grill - Left	1
35	61100901	Upper Grill - Right	1
36	34002901	Side Decal - Right	1
37	21922001	Sticker - CD	1

See Table 8-1 opposite for Price Card and Graphics Card part numbers.

Figure 8-2. CD-100F Phonograph Top Door Assembly
Sheet 2

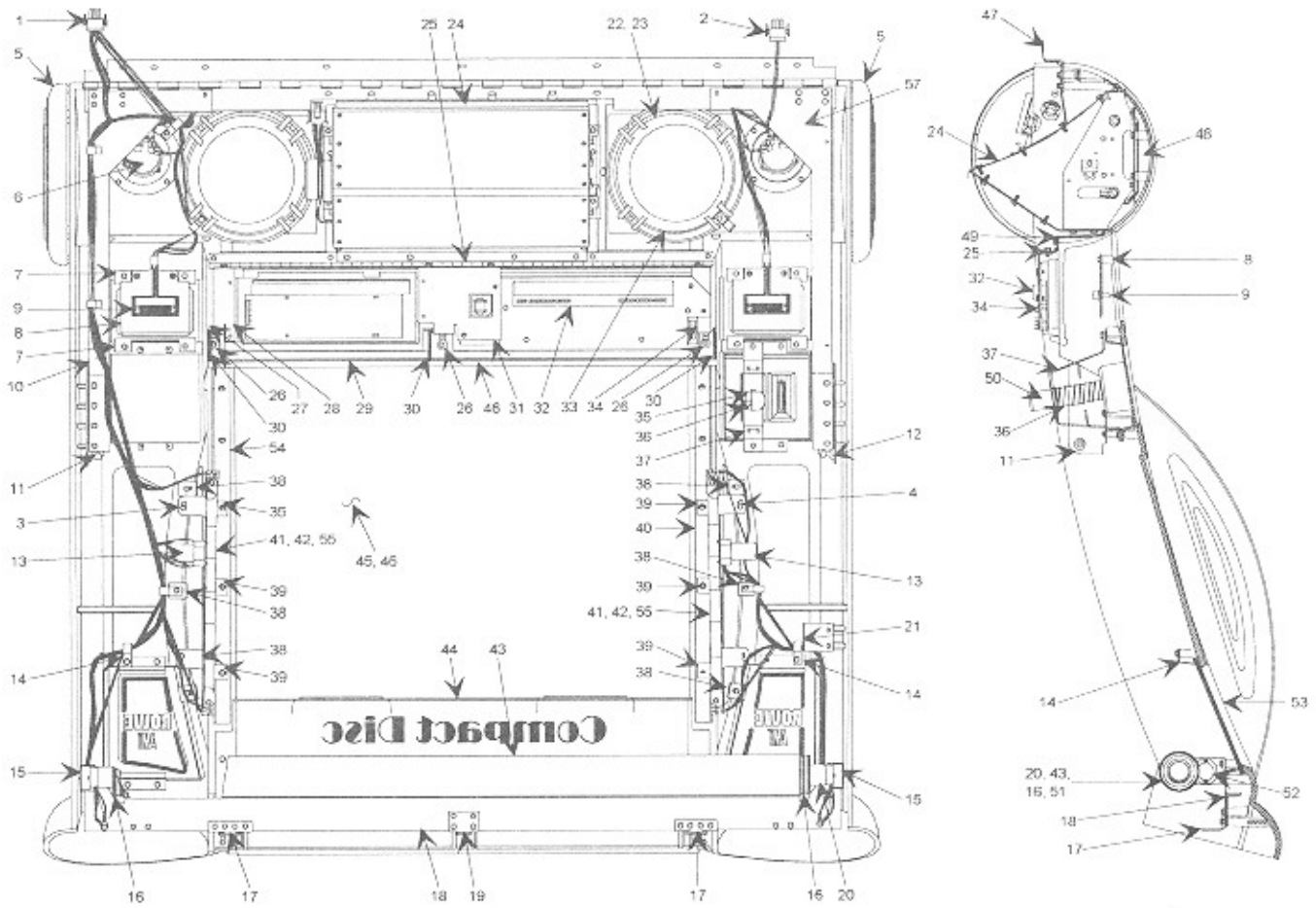


Figure 8-2. CD-100F Top Door Assembly (Sheet 2)

Ref.	Part No.	Description	Qty.
	61098901	CD-100F Top Door Assembly	Ref.
	* 61098902	CD-100F Top Door Assembly	Ref.
1	61101401	Harness Assembly Low Voltage	1
2	40881601	Harness Assembly - Top Door Light	1
3	22105101	Pocket Light Bracket - Right	1
4	22105001	Pocket Light Bracket - Left	1
5	61099601	End Cap	2
6	40830901	Speaker - Tweeter (3")	2
7	22103101	Price Card Bracket	4
8	34002201	PWB - Price Card	2
9	21862201	Lamp & Socket Assembly	20
10	40884501	Gusset - Right	1
11	21979501	Gas Spring Pivot Assembly - Right	1
12	21979401	Gas Spring Pivot Assembly - Left	1
13	70080001	Fluorescent Starter (FS-2)	2
14	22103701	Upper Card Retainer	4
15	34005201	Lamp Bracket	2
16	30953901	End Cap - Color Tube	2
17	30963401	Strike	2
18	40884001	Lower Stiffener	1
19	21921101	Guide	1
20	70060112	Fluorescent Lamp (30W T-8)	1
21	34005801	Reset Actuator	1
22	40830803	Speaker - Midrange (6")	2
23	61094301	Speaker Housing Assembly	2
24	61101501	Animation Assembly	1
25	34002501	Keyboard Hinge	1
26	25156904	Shoulder Washer	3
27	34001601	Upper Window Bracket	1
28	34003901	Right Bracket - Display	1
29	40882501	Display Latch	1
30	21256201	Tension Spring	3
31	40882001	Control Panel Mounting Bracket	1
32	40855001	PCB Assembly - Digital Display	1
33	30935303	Label - Speaker Harness	1
34	34003801	Left Bracket - Display	1
35	21834801	Channel	2
36	21822901	Compression Spring	1
37	40881301	Scavenge Bracket	1
38	22102901	Outer Lens Retainer	6
39	22102801	Inner Lens Retainer	6
40	61101801	Title Rack Diffuser - Left	1
41	70060102	Fluorescent Lamp	2
42	30954202	Color Tube	2
43	30954201	Color Tube	1
44	61102101	Window Diffuser	1
45	61095301	Top Door Glass	1
46	70225008	Foam Rubber Extrusion	1
47	61101001	Hinge	1
48	22104101	Glass Retainer - Side	1
49	40882901	Glass Retainer - Lower	1
50	21742916	Button & Shaft Assembly	1
51	61101301	Color Filter	1
	* 61101302	Color Filter	2
52	70080004	Fluorescent Starter (FS-4)	1
53	22103801	AMI Window	1
54	61101901	Title Rack Diffuser - Right	1
55	40882101	Color Filter	2
	* 40882102	Color Filter	2
56	40883301	Top Glass Retainer	2
57	40884401	Gusset - Left	1

Figure 8-3. CD-100F Phonograph Front Door Assembly

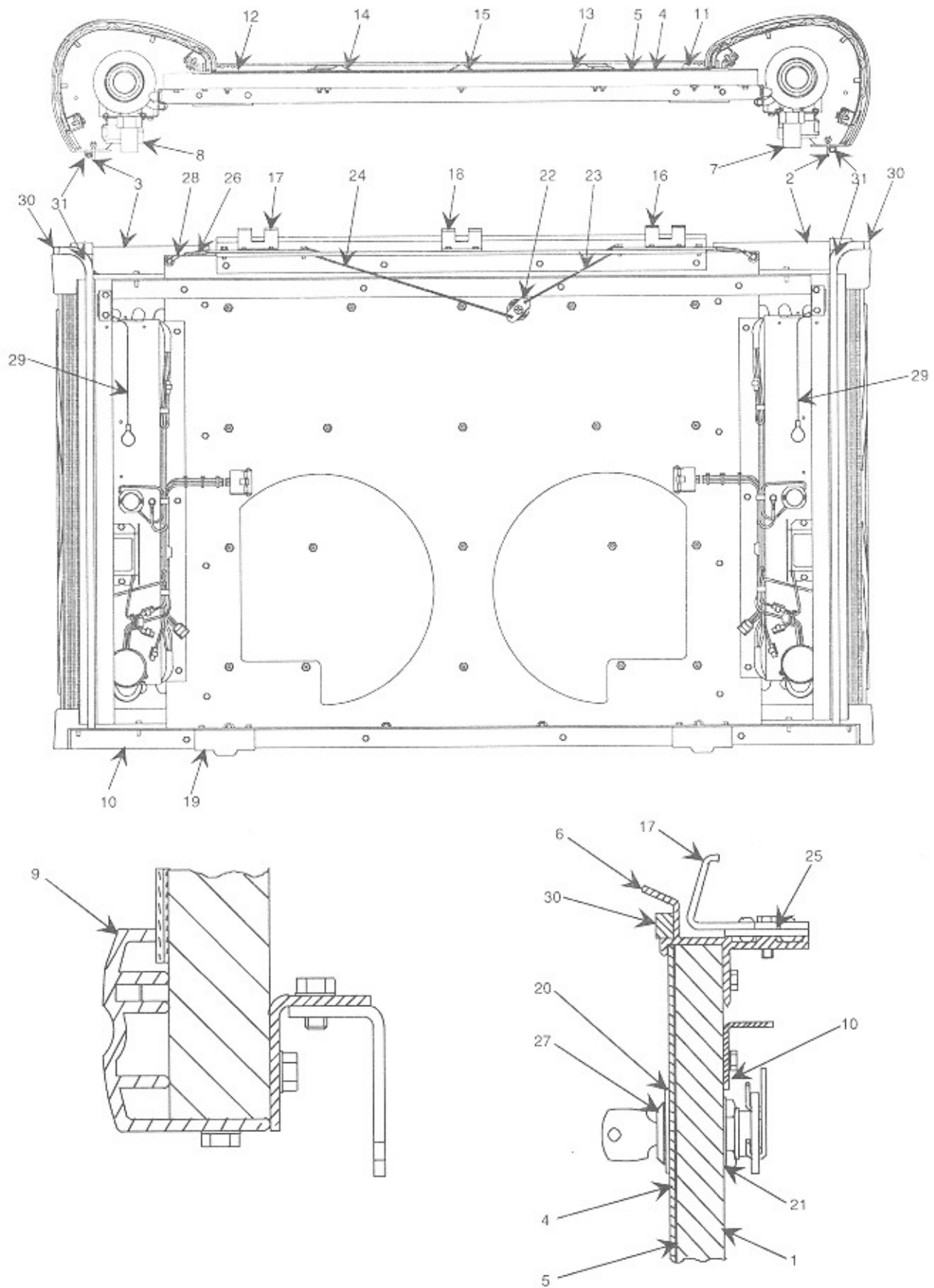


Figure 8-3. CD-100F Phonograph Front Door Assembly

Ref.	Part No.	Description	Qty.
	61098501/04	Front Door Assembly	Ref.
1	61097801	Front Door Panel	1
2	61098301/02	Column Assembly - Left	1
3	61098401/02	Column Assembly - Right	1
4	61097601	Grill.....	1
5	61097901	Scrim.....	1
6	61097701	Lockbar	1
7	61098101/04	Light Assembly - Left.....	1
8	61098201/04	Light Assembly - Right	1
9	40878401/02	Lower Trim	1
10	34000901/02	Brace.....	2
11	40878001/02	Trim - Left	1
12	40878101/02	Trim - Right	1
13	40878201/02	Trim - Center Left	1
14	40878301/02	Trim - Center Right.....	1
15	40878501/02	Trim - Center	1
16	21965901	Lockbar Assembly - Left.....	1
17	21966001	Lockbar Assembly - Right	1
18	21965801	Catch.....	1
19	34000701	Hinge Bracket.....	2
20	21795305	Lock Bezel	1
21	21947501	Indexing Washer	1
22	21425601	Lockbolt.....	1
23	21865309	Pivot Link	1
24	21865310	Pivot Link	1
25	20922502	Spacer.....	4
26	21256201	Tension Spring	2
27	70163214	Cylinder Lock Types - Common Keying	1
28	70091702	Solder Lug	2
29	21572601	Fall-Stop Cable	2
30	70220331	Foam Tape	1
31	70225008	Foam Rubber Extrusion	2
Trims:		01 Gold	
		02 Silver	
		01 60 Hz Gold/Taupe	
		02 50 Hz Gold/Taupe	
		03 60 Hz Silver/Red	
		04 50 Hz Silver/Red	

Figure 8-4. Title Page Assembly

Sheet 1

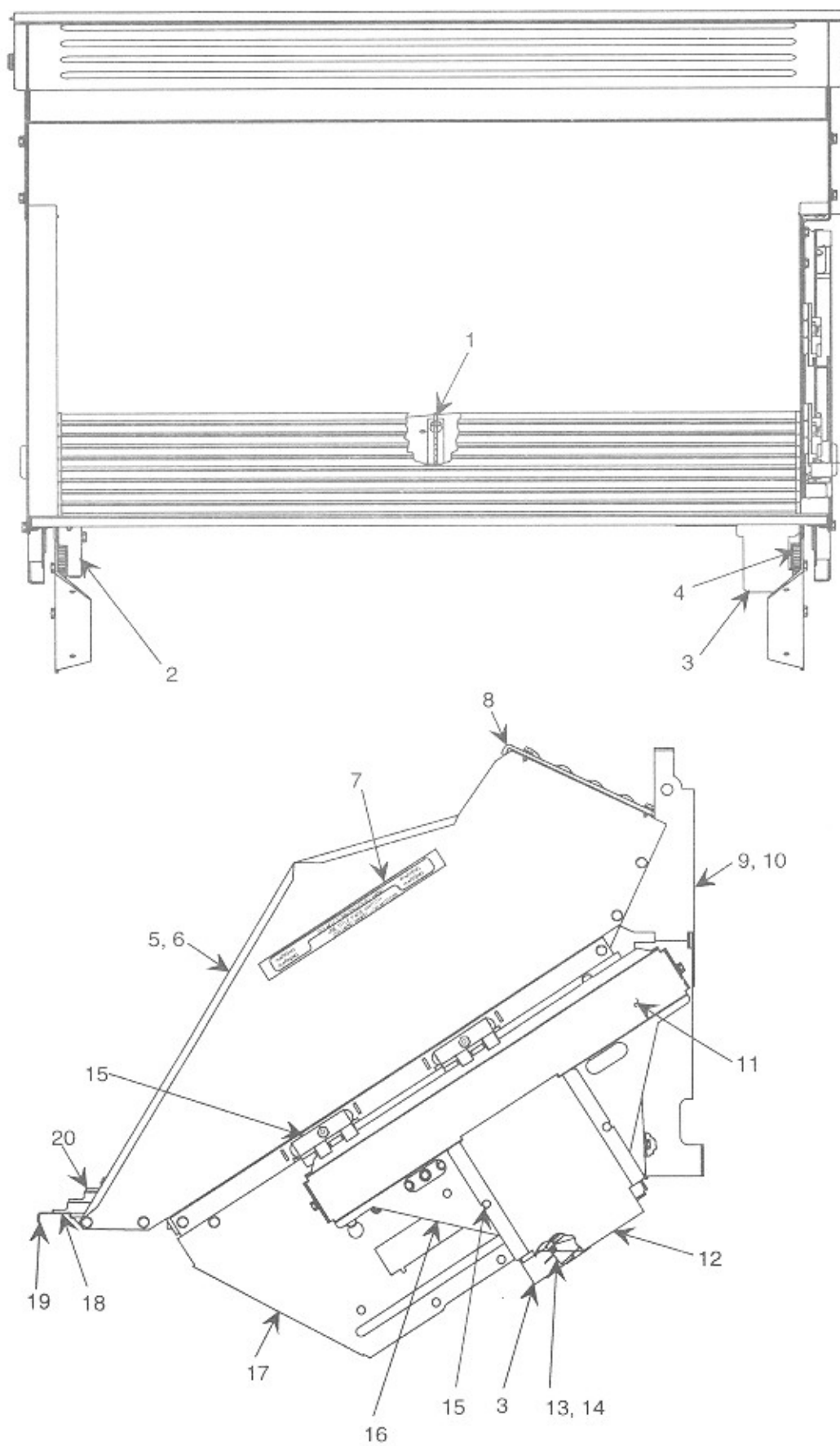


Figure 8-4. Title Page Assembly

Ref.	Part No.	Description	Qty.
	61094101	Title Page Assembly	Ref.
1	40877301	Bearing Support	1
2	30999901	Motor Bracket Assembly	2
3	30999401	Index Bracket - Home Switches	1
4	22101601	Gear Rack	2
5	61100601	Title Rack Side Trim - Left	1
6	61100701	Title Rack Side Trim - Right	1
7	30940002	Warning Label - Narrow	2
8	61099501	Diffuser - White Translucent	1
9	40881401	Pivot Bracket - Left	1
10	40881501	Pivot Bracket - Right	1
11	40877001	Light Cover	2
12	30999701	Title Lever Cover	2
13	21073201	Switch - N.C.	2
14	21082901	Switch Actuator	2
15	30980001	Slide-Rack Arm	4
16	61093801	Slide Carriage Bracket	2
17	61093901	End Plate	2
18	61094001	Horizontal Support	1
19	70210518	Protective Moulding	1
20	61094201	Title Page	9

Figure 8-4. Title Page Assembly
Sheet 2

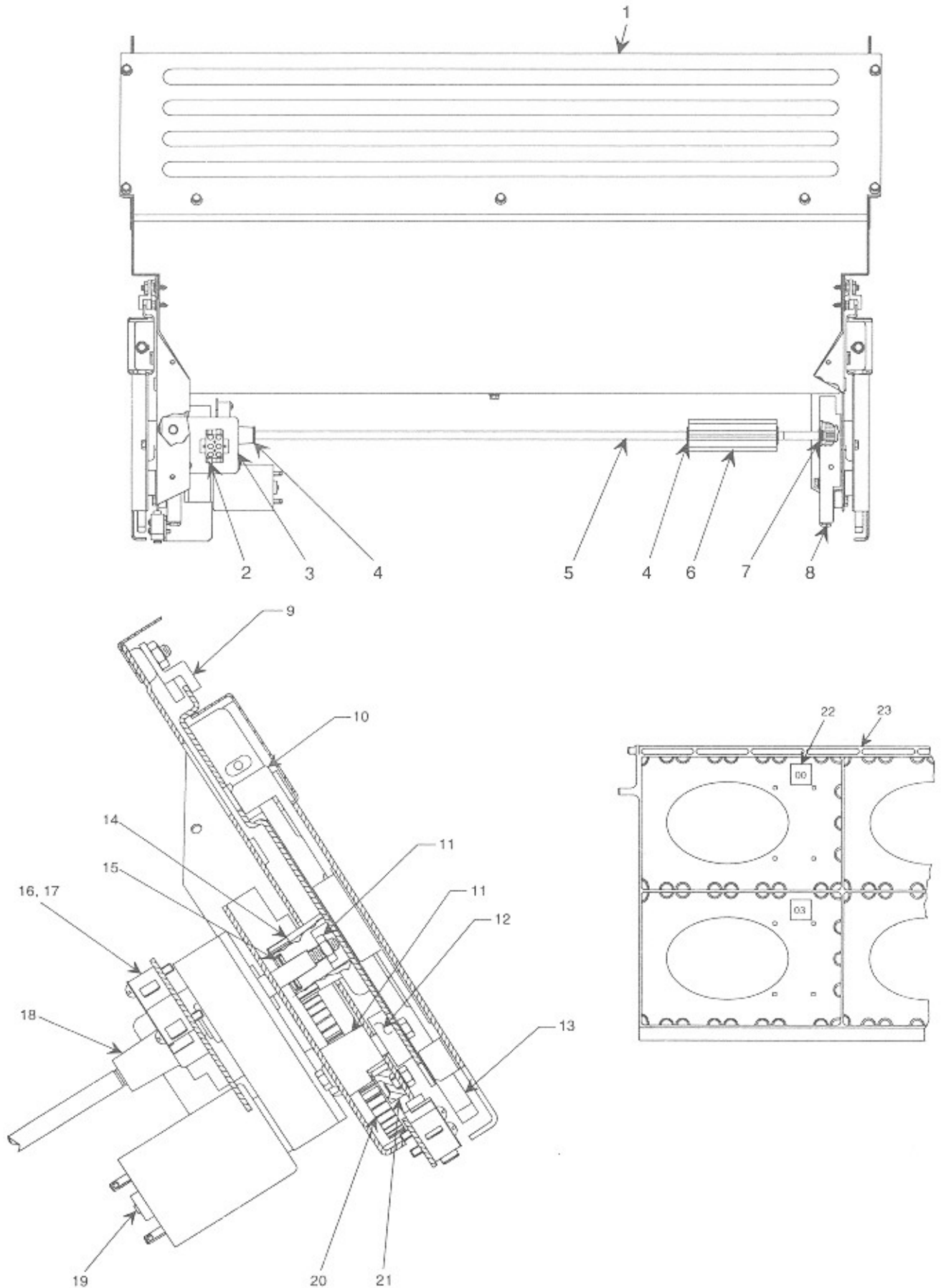


Figure 8-4. Title Page Assembly

Ref.	Part No.	Description	Qty.
	61094101	Title Page Assembly	Ref.
1	61099501	Diffuser - White Translucent	1
2	61084701	Title Rack Harness Assembly	1
3	30938301	Connector Plate	1
4	70143004	External Retaining Ring	3
5	30999501	Drive Shaft	1
6	22100901	Title Page Knob	1
7	70146006	Bearing	1
8	30999701	Title Lever Cover	2
9	30980001	Slide-Rack Arm	4
10	40877401	Slide-Trap	2
11	22101101	Bottom Slide Spacer	4
12	22100701	Slide Spacer	4
13	22100801	Title Page Lever	2
14	30999601	Gear Crank	2
15	70113022	Roll Pin	3
16	21073201	Switch - N.C.	2
17	21082901	Switch Actuator	2
18	22101001	Drive Shaft Cam	2
19	40877101	Title Rack Motor	2
20	22101501	Reduction/Drive Gear	2
21	22101601	Gear Rack	2
22	30940002	Warning Label - Narrow	2
23	61094201	Title Page	9

Figure 8-5. CD-100F Phonograph Internal View

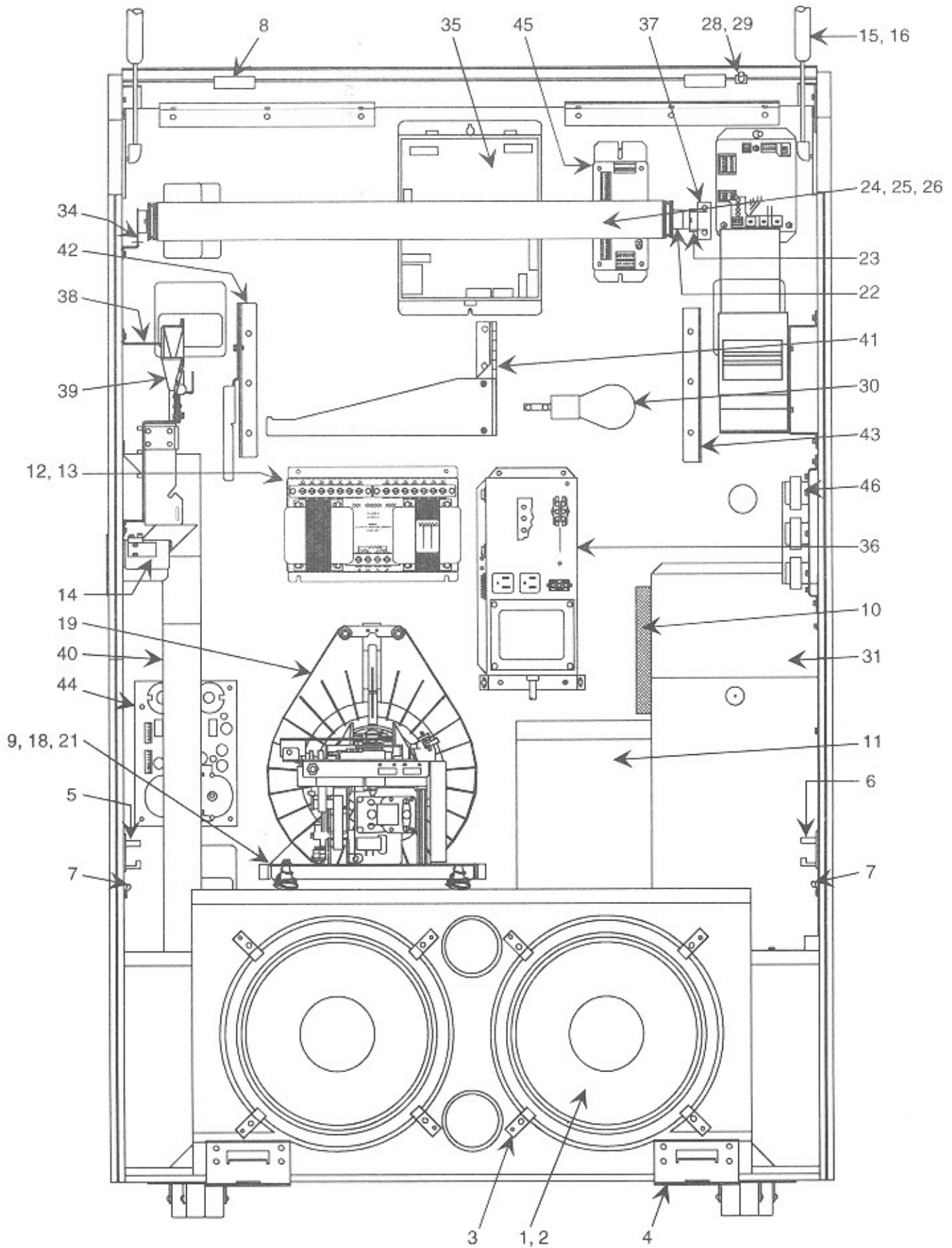


Figure 8-5. CD-100F Phonograph Internal View

Ref.	Part No.	Description	Qty.
	61096001/04	CD-100F Phonograph Assembly (60 Hz / 50 Hz)	Ref
1	21780612	Acoustical Pad	1
2	40731002	Speaker - Low Frequency	2
3	21780701	Retainer Bracket	8
4	40877901	Door Mounting Bracket	2
5	21712701B	Latch Assembly - Left	1
6	21712801B	Latch Assembly - Right	1
7	21730001	Fall Stop Hook	1
8	30936601	Guide Bracket - Hinge	2
9	30932101	Mech Tie Down Bracket	2
10	30868405	Enclosure Screen	1
11	40242601	Amplifier Mount Assembly	1
12	40832104B	Output Transformer Assembly	1
13	40832004	Audio Output Chassis	1
14	61099101	Harness & Switch Assembly	1
15	40714910	Pneumatic Spring	2
16	30956301	Door Support	1
17	21759301	Cord Hole Cover	1
18	21153701	Lower Spring Support	4
19	61085701B	CDM-12 Mech Assembly	1
20	30869801	Handy Case	1
21	30932202	Mech Release Lever	2
22	70060108	Fluorescent Lamp (18W T8)	1
23	70080003	Fluorescent Starter (FS-25)	1
24	30972301	Color Tube	1
25	61099301/02	Color Filter	1
26	30953901	Color Tube End Cap	2
27	22102401	Pivot Plate Assembly	1
28	30956201	Switch Bracket	1
29	25060401	Momentary Pushbutton Switch	1
30	70060423	Global Lamp - Inside Frosted	1
31	61099201	Amplifier Chimney	1
32	65093008	CBA-2 Transport Assembly	1
33	40880101	Harness Assembly 110 V	1
34	34004001	Lamp Bracket - Left	2
35	40832220	Central Control Computer	1
36	40879001	Main Power Supply	1
37	34005101	Lamp Bracket - Right	1
38	61100501	Scavenge Assembly	1
39	40880801	Chute Assembly	1
40	61100301	Lower Coin Chute	1
41	40881801	Title Rack Support Assembly	1
42	34002001	Bracket Assembly - Title Page Assembly	1
43	34004301	Title Rack Hanger Bracket	1
44	61052707	PCB Assembly - Speaker Crossover	1
45	40856101	Title Rack/Keyboard Interface	1
46	40880201	Harness & Ballast Assembly - 60 Hz	1
	40880202	Harness & Ballast Assembly - 50 Hz	1
NOT SHOWN:			
	40856101	Interface - Title Rack	1

Figure 8-6. Animation Assembly

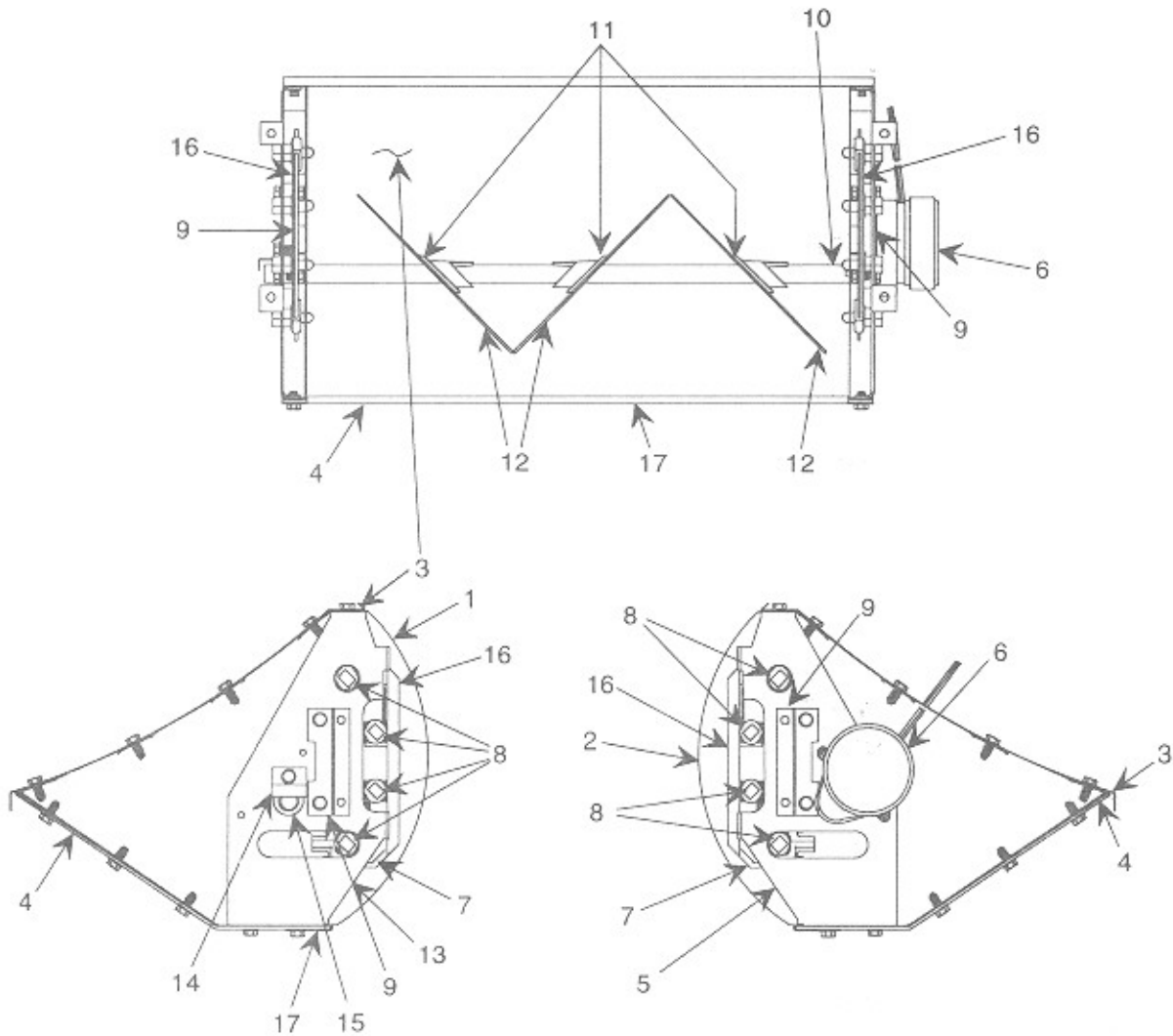


Figure 8-6. Animation Assembly

Ref.	Part No.	Description	Qty.
	61101501	Animation Assembly	
1	40883101	Side Housing - Left	1
2	40883201	Side Housing - Right	1
3	61102601	Animation Wrapper - Top	1
4	40883001	Animation Diffuser	1
5	40882701	Mounting Bracket - Right	1
6	40824303	Motor & Harness Assembly	1
7	40883501	PWB - Animation	2
8	21862201	Lamp & Socket Assembly	8
9	34005001	PWB Bracket	2
10	40882801	Shaft	1
11	34004901	Disc Holder	3
12	30926904	Disc	3
13	40882601	Mounting Bracket - Left	1
14	22103301	Window Retainer - Keyboard	1
15	70146021	Nyliner Bearing	1
16	70212218	Closed Cell Sponge Rubber	2
17	34006301	Front Bracket	1

Figure 8-7A. Bill Acceptor Assembly

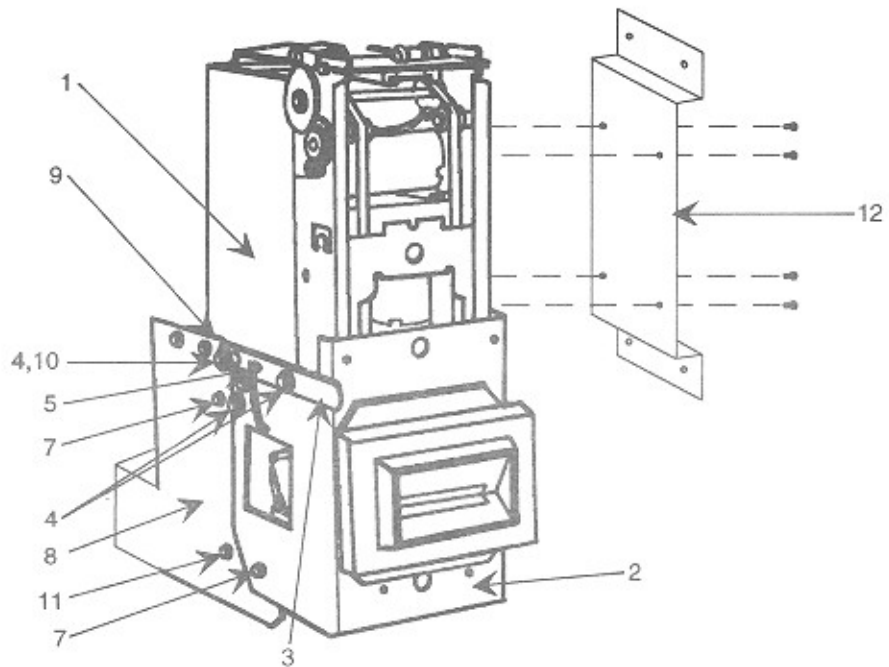


Figure 8-7A. Bill Acceptor

Ref.	Part No.	Description	Qty.
	61096001/04	CD-100F Phonograph Assembly (60 Hz / 50 Hz)	Ref.
	21949203	CBA-2 Parts Group	Ref.
1	65093008	CBA-2 Transport	1
2	30924702	Mounting Bracket and Bezel Assembly	1
3	30946301	Bill Acceptor Latch	1
4	25156904	Shoulder Washer	1
5	21256201	Tension Spring	1
6	21572601	Fall Stop Cable (Not Shown)	1
7	21948601	Spacer	1
8	61042202	Hanger Bracket	1
9	21948501	Catch Adjust Plate	1
10	25156910	Shoulder Washer	1
11	21948602	Spacer	2
12	30992002	Metal Mounting Bracket	1

Figure 8-7B. Bill Acceptor Assembly

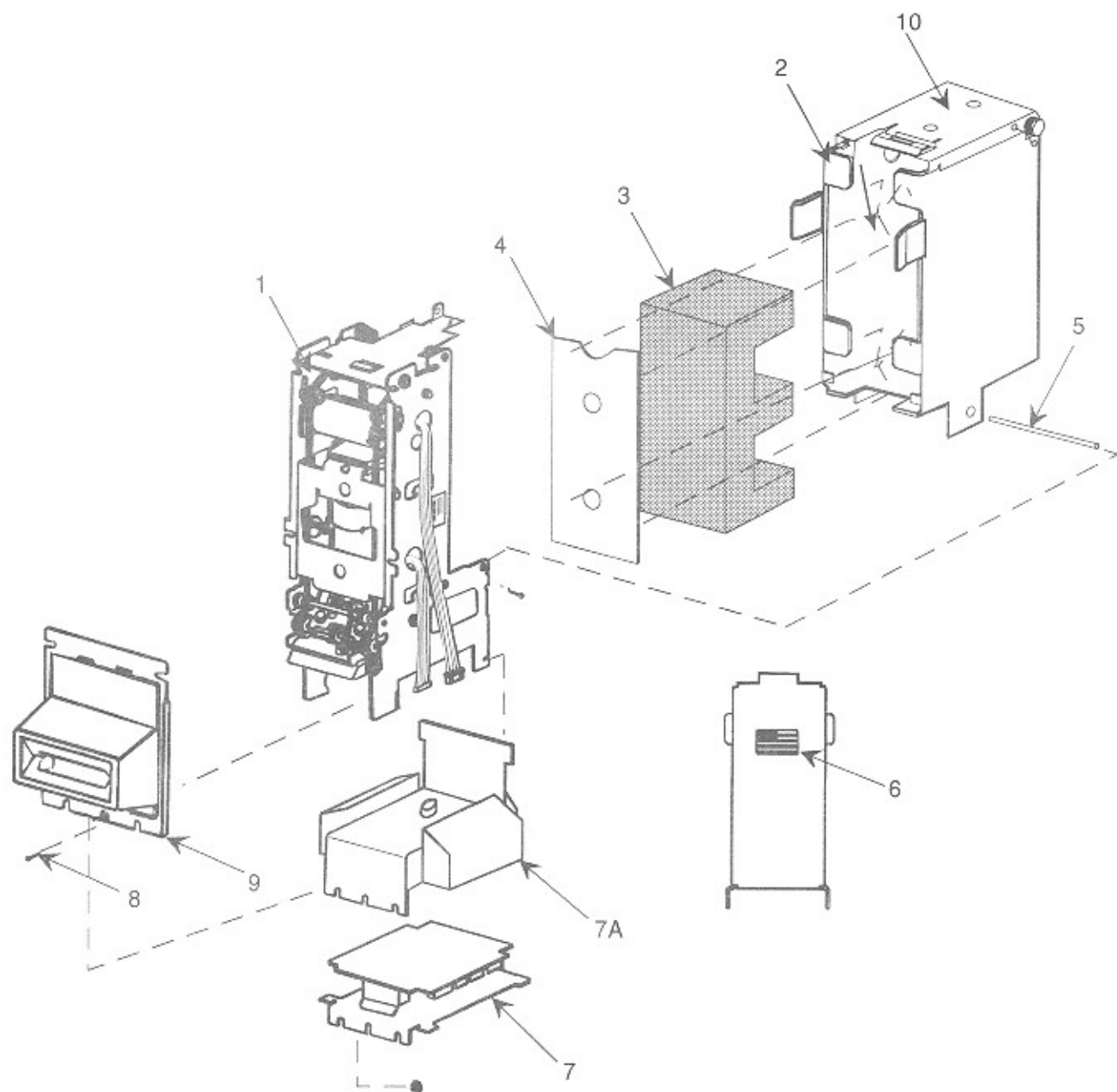


Figure 8-7B. Bill Acceptor Assembly

Ref.	Part No.	Description	Qty.
1	65093008	• CBA-2 Transport Assembly	1
2		• Bill Box	1
	B0030703	• • 500 Locking Bill Box	
3		• Foam Block	1
	B0030702	• • Foam Block for 500 Bill	
4	B0031928	• Pressure Plate	1
5	B0031942	• Bill Box Spacer Shaft	1
6	25223101	• Flag Label	1
7	B0030853	• Logic Board and Bracket Assembly (\$1 & \$5 Only)	1
7A	B0030819	• Water Shield	1
8	70134127	• Special Flat Head Screw	1
9	B0031953	• CBA-2 Tapered Bill Inlet	1
10	35117901	• Bracket Assembly - Top	1
	45074602	• Cover - Bill Box	1
	35117701	• Spring - Torsion	1
	20922502	• Spacer	1
	20925508	• Spacer	1

Figure 8-8. CBA-2 Transport Assembly

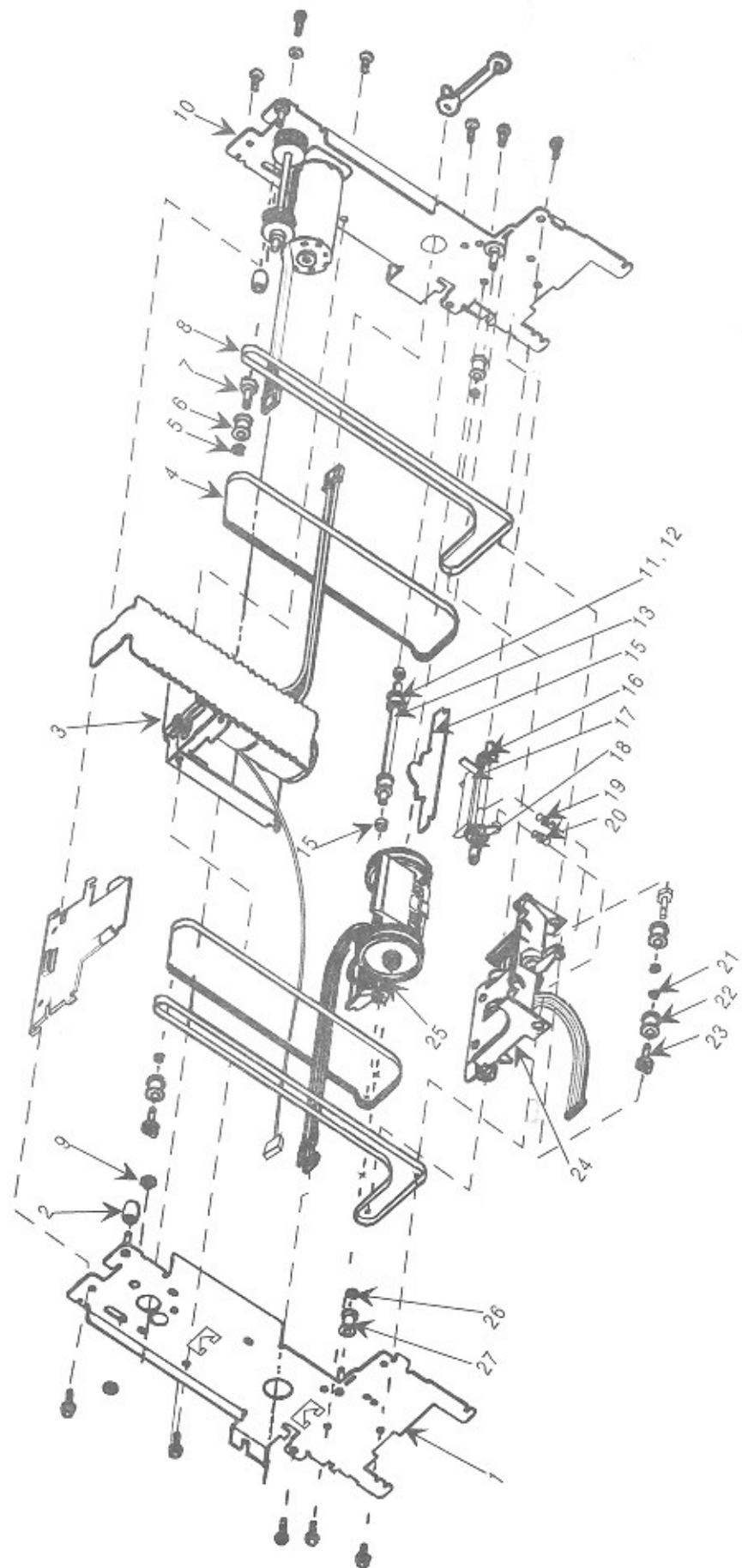


Figure 8-8. CBA-2 Transport Assembly

Ref.	Part No.	Description	Qty.
	65070802	Generic CBA-2	
1	25245101	• Right Hand Plate Assembly	1
2	25225501	• Crowned Roller	2
3	Ref.	• Stacker	
4	B0031946	• Timing Belt	2
5	70143003	• External Retaining Ring	2
6	35080302	• Flat Roller	2
7	B0031937	• Flat Roller Pin	2
8	B0031956	• Drive Belt	2
9	70146003	• Nyliner Bearing	1
10	Ref.	• Motor and Gear Assembly	
11	35080302	• Flat Roller	2
12	70143003	• External Retaining Ring	2
13	B0031930	• Flat Roller Shaft	1
14	B0030688	• Spacer	2
15	B0031925	• Bill Stop	1
16	70143004	• External Retaining Ring	2
17	45065801	• Anti-Cheat Lever	1
18	B0031941	• Anti-Cheat Lever Shaft	1
19	25223201	• Tension Spring (Yellow)	1
20	25223301	• Tension Spring (Blue)	1
21	70143003	• External Retaining Ring	Ref.
22	25193304	• Crowned Roller	2
23	B0031929	• Crowned Roller Pin	2
24	Ref.	• Lower Track	
25	Ref.	• Upper Track	
26	70143005	• External Retaining Ring	2
27	25225301	• Flanged Roller	2
28	70093303	• Clamp - Cable	3

Figure 8-9. Upper Track

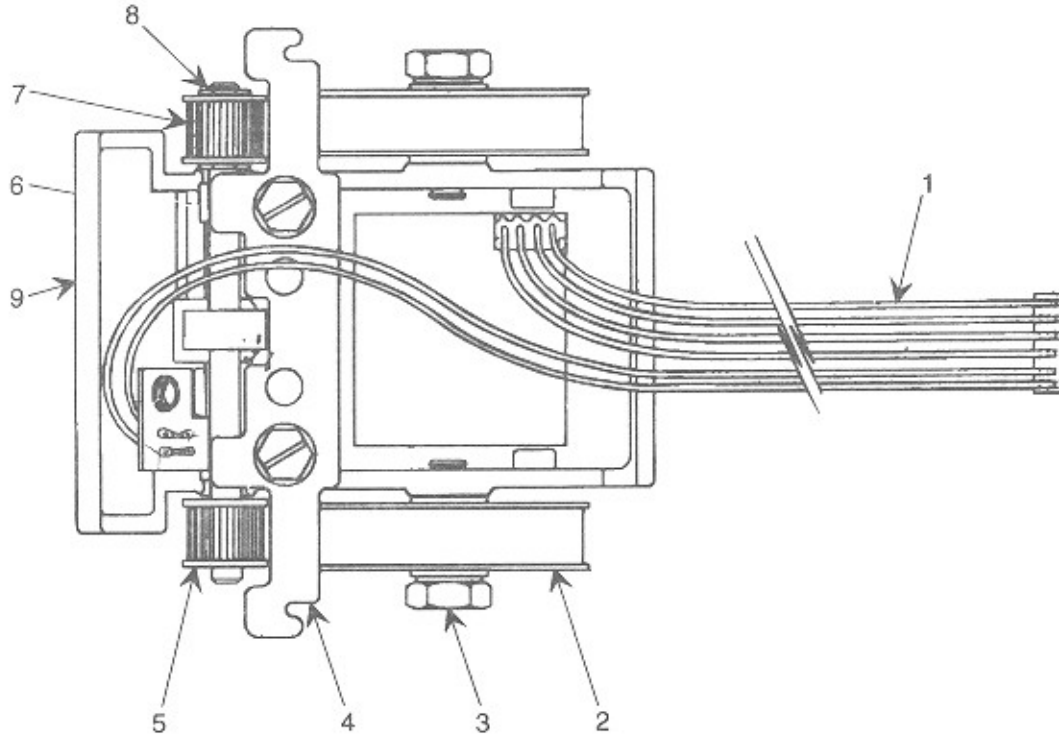


Figure 8-9. Upper Track

Ref.	Part No.	Description	Qty.
	Ref.	Upper Track	
1	45069002	• Upper Harness and Cell Assembly	1
2	35094601	• Drum Pulley	2
3	B0031924	• Pin	2
4	B0031922	• Upper Track Bracket	1
5	27038901	• Shaft and Pulley Assembly	1
6	25220401	• Split Bearing	1
7	35095102	• 16 -Tooth Pulley	1
8	70143005	• External Retaining Ring	2
9	65070704	• Head and Track Assembly (Upper)	1

Figure 8-10. Lower Track

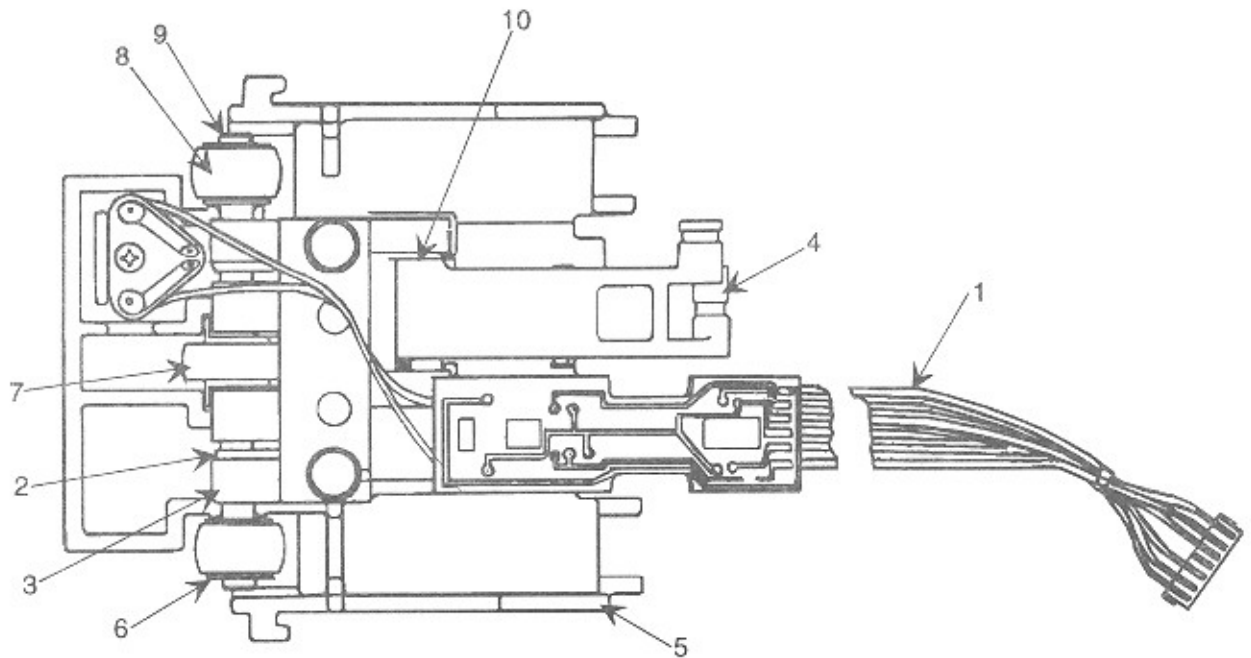


Figure 8-10. Lower Track

Ref.	Part No.	Description	Qty.
	Ref.	Lower Track	
1	45073505	• Lower Harness and Cell Assembly	1
2	B0031927	• Input Shaft Spring	1
3	35111901	• Input Shaft Bracket	1
4	35117001	• Roller and Holder Assembly	1
5	B0031955	• Lower Track	1
6	70143003	• External Retaining Ring	4
7	25220701	• Input Roller	1
8	25193302	• Crown Roller	2
9	25220901	• Lower Input Shaft	1
10	B0031945	• Holder Pin	1

Figure 8-11. Motor and Gear Assembly

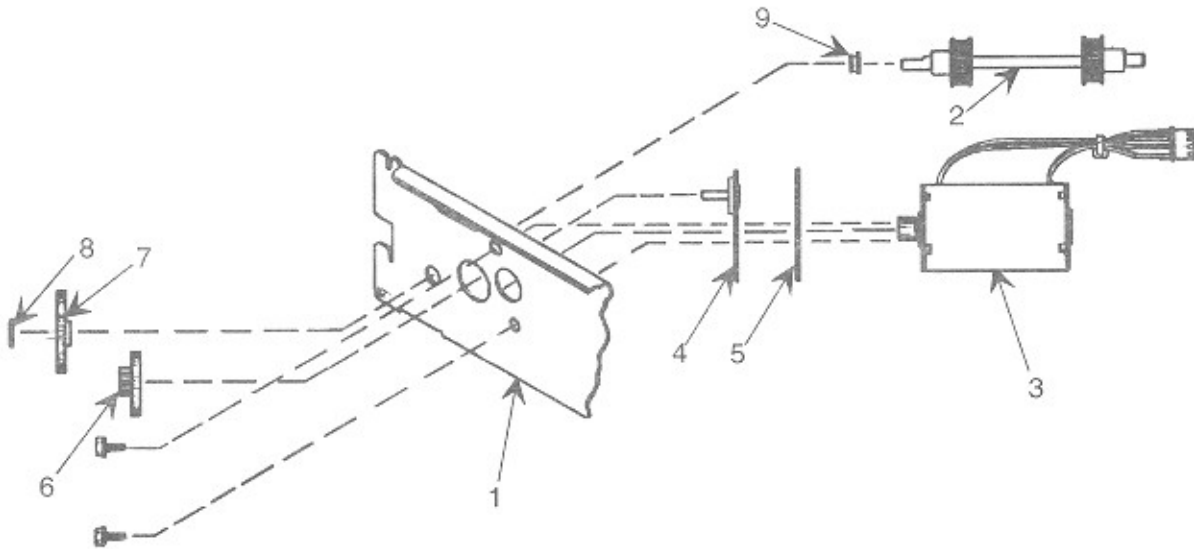


Figure 8-11. Motor and Gear Assembly

Ref.	Part No.	Description	Qty.
	Ref.	Motor and Gear	
1	25245102	• Left Hand Plate Assembly	1
2	25244101	• Drive Shaft and Pulley Assembly	1
3	45058607	• Transport Motor Assembly	1
4	B0031974	• Transport Plate and Pin Assembly	1
5	B0031932	• Spacer Plate	1
6	B0031936	• Reduction Gear	1
7	B0031933	• Drive Gear	1
8	B0031944	• Retaining Ring	1
9	70146003	• Nyliner Bearing	1

Figure 8-12. Stacker Assembly

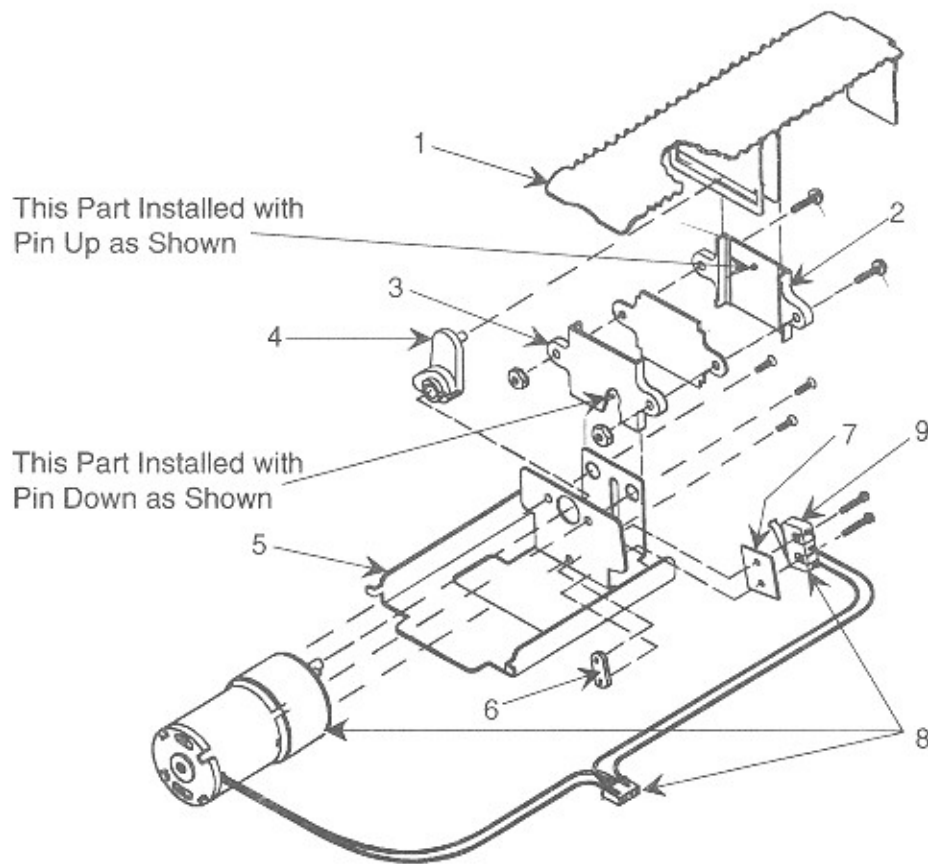


Figure 8-12. Stacker Assembly

Ref.	Part No.	Description	Qty.
	Ref.	Stacker	
1	B0031973	• Pusher Plate Assembly	1
2	B0031963	• Stacker Guide	2
3	B0031962	• Separator	1
4	B0031938	• Stacker Cam	1
5	B0031959	• Stacker Motor Bracket	1
6	B0030762	• Twin Nut	1
7	25222801	• Switch Separator	1
8	40791205	• Stacker and Motor Assembly	1
9	21630902	• Miniature Switch	1

Figure 8-13. Stereo Amplifier Assembly

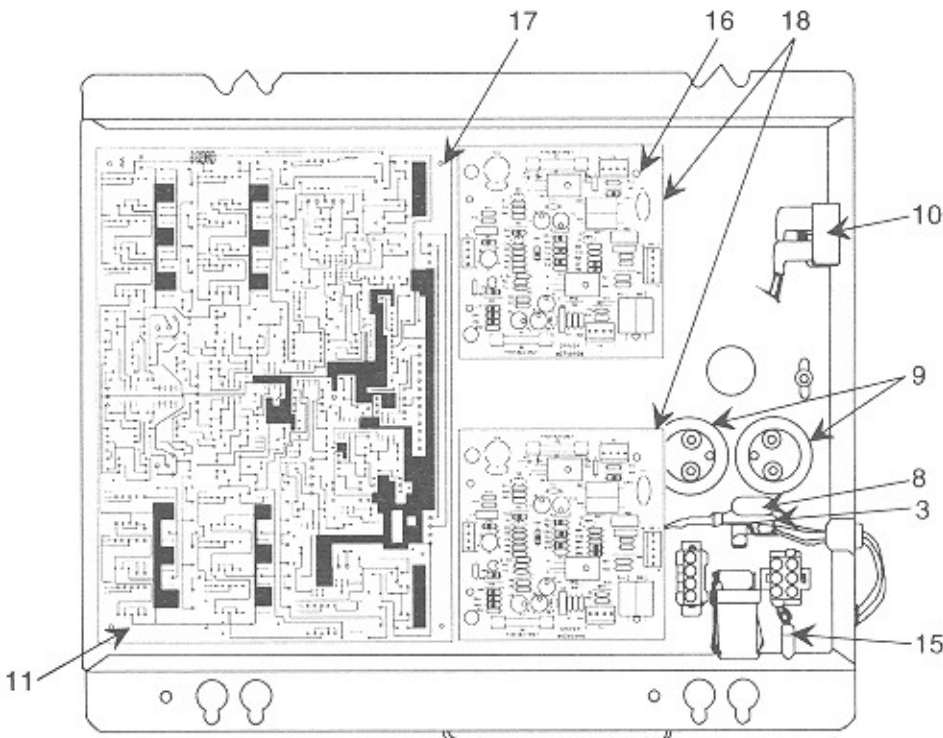
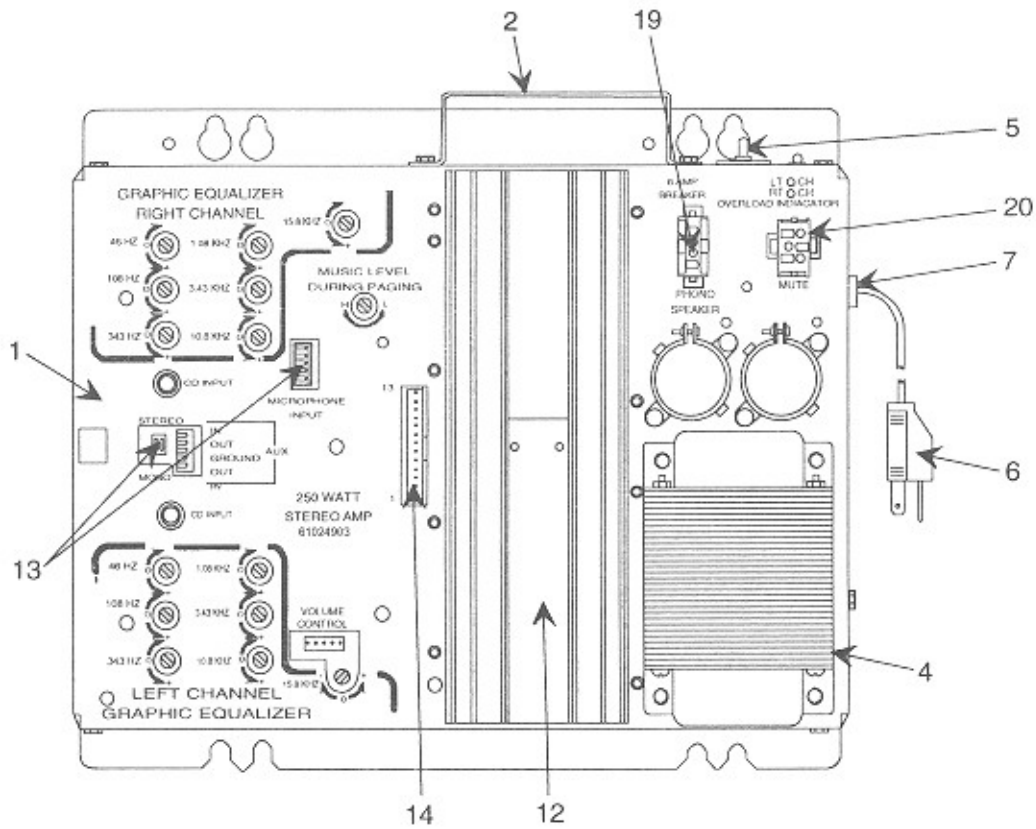


Figure 8-13. Stereo Amplifier Assembly

Ref.	Part No.	Description	Qty.
	61024903	Stereo Amplifier Assembly	Ref.
1	61024603	• Chassis Assembly	1
2	21488101	• Handle	1
3	21724102	• Terminal Strip	1
4	40737812	• Power Transformer	1
5	70078956	• Circuit Breaker	1
6	25218603	• 3 Conductor Cord and Plug	1
7	70232205	• Strain Relief	1
8	70021305	• Mylar Capacitor (.1 Mfd)	1
9	21823102	• Electrolytic Capacitor (10,000 Mfd)	2
10	21822501	• Bridge Rectifier	1
11	61023703	• Stereo Preamp. Assembly (<i>See Schematic for Parts List</i>)	1
12	40710303	• Heat Sink Detail	1
13	70075505	• Connector Housing (5 Circuit)	2
	70075503	• Connector Housing (3 Circuit)	1
14	21620703	• Amplifier Jumper Plug Assembly	1
15	21893401	• Speaker Overload Indicator (Left Channel)	1
	21893402	• Speaker Overload Indicator (Right Channel)	1
16	70500006	• Circuit Board Support	8
17	70500018	• Circuit Board Support	5
18	40710104	• Driver Circuit Board Assembly	2
		(<i>See the Power Amplifier Schematic for Components List</i>)	
19	30749003	• Cap Housing (4 Circuit)	1
20	30749004	• Cap Housing (6 Circuit)	1
	70097502	•• Contacts	6
	70099201	•• Self - Stripping Terminal	1
	21943301	•• Capacitor Clamp	2
	70091706	•• Solder Lug	1
	70075505	•• Connector Housing (5 Circuit)	2
	70075502	•• Connector Housing (2 Circuit)	2
	70800101	•• Cable Tie	4
	70075601	•• Contact	9
	70091308	•• Terminal Lug - Slip On	2

Figure 8-14. Heat Sink Detail

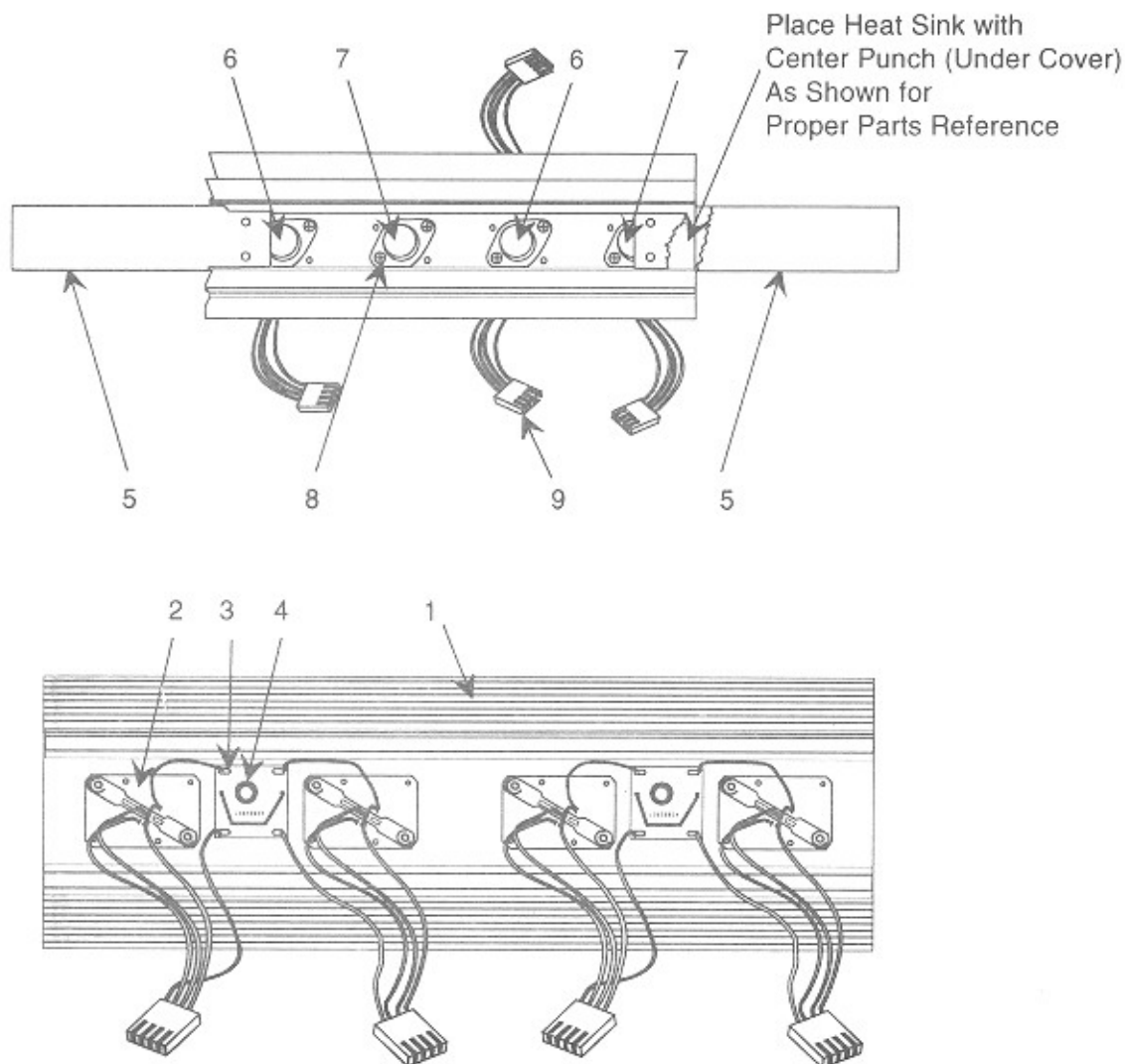


Figure 8-14. Heat Sink Detail

Ref.	Part No.	Description	Qty.
	Ref.	Heat Sink Detail	
1	40710303	• Heat Sink	1
2	21547301	• Power Transistor Socket	4
3	40863101	• Circuit Board Assembly	2
4	21840201	• Compression Spring	2
	80443020	• #8-32 x 1 1/4 WRHMS (SF)	2
5	21798001	• Cover	2
6	70030206	• Transistor (Darlington Amp, RCA- 2N6284) (NPN, Q101, 2 places)	2
7	70030207	• Transistor (Darlington Amp, RCA-2N6287) (PNP, Q102, 2 places)	2
8	21318902	• Precoated-Insulator	4
9	70075504	• Connector Housing	4

Figure 8-15. Output Transformer Assembly

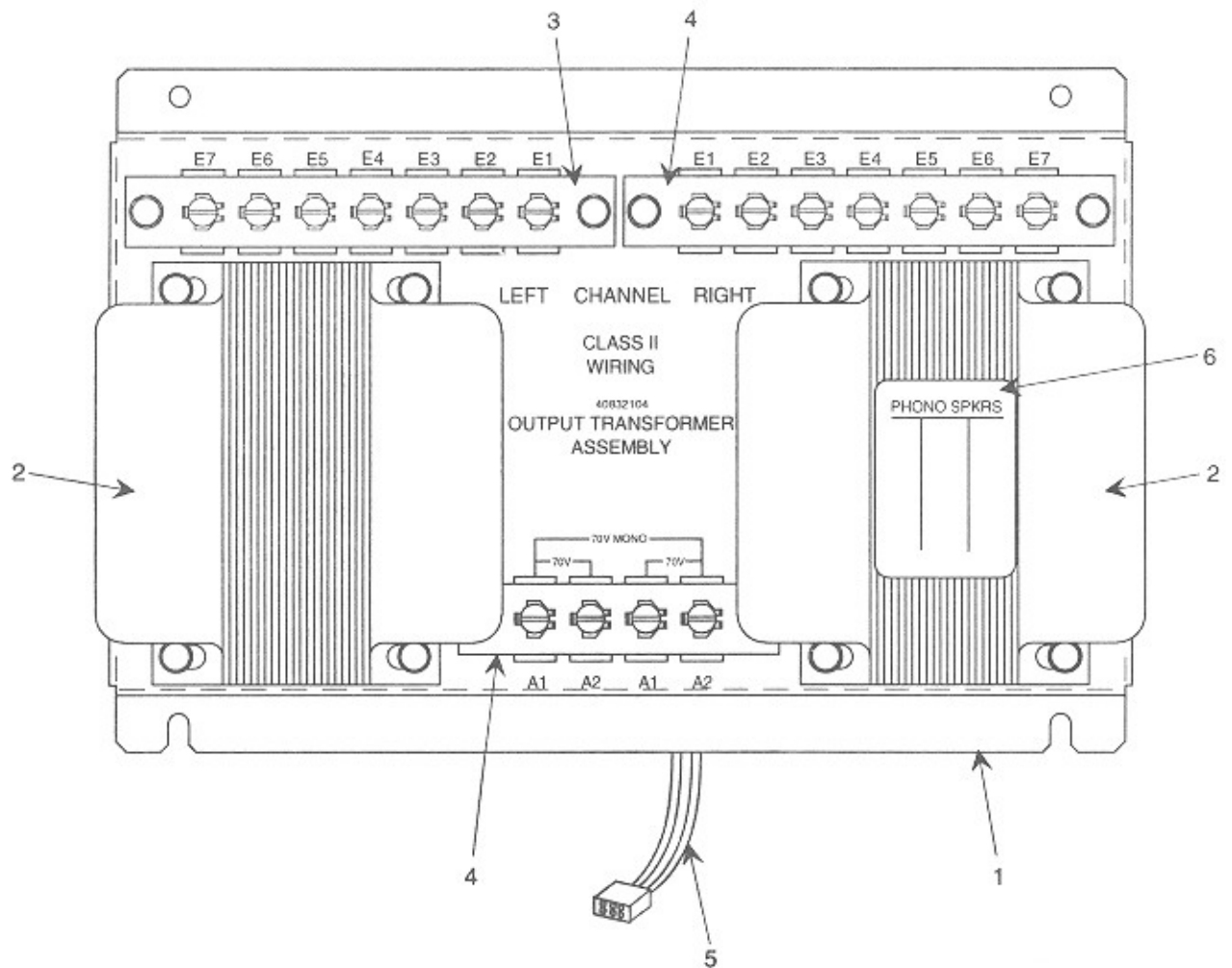


Figure 8-15. Output Transformer Assembly

Ref.	Part No.	Description	Qty.
	40832104	Transformer Assembly	
1	40832004	• Chassis with Lettering	1
2	40633502	• Output Transformer	2
3	30426707	• Terminal Strip	1
4	30426706	• Terminal Strip	2
5	30985302	• Harness Assembly	1
6	21537401	• Speaker Power Label	1

Figure 8-16. Main Power Supply
(120 Volt, 60 Hz Model)

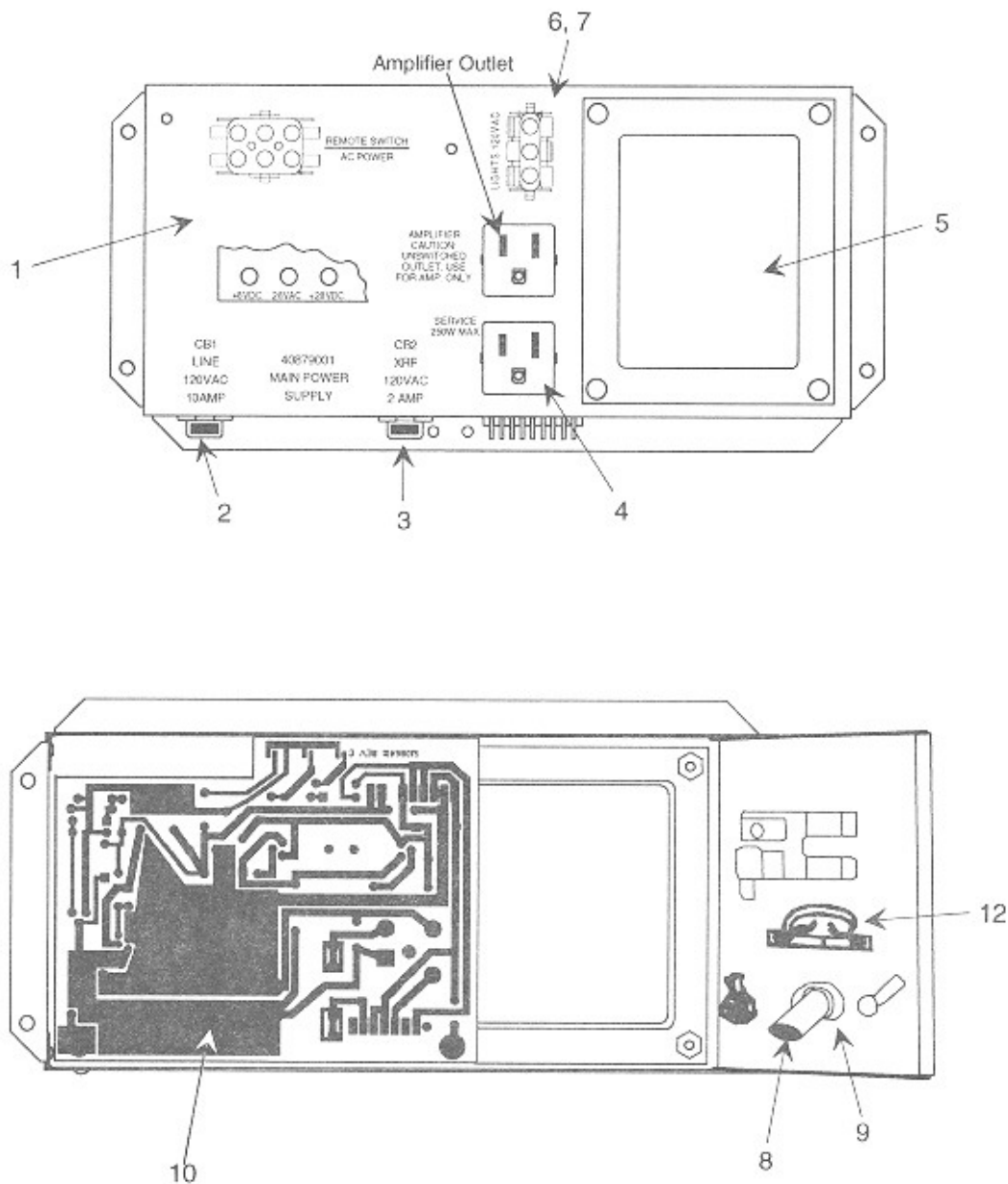


Figure 8-16. Main Power Supply

Ref.	Part No.	Description	Qty.
	40879001	Main Power Supply (120 V)	Ref.
	40879101	Main Power Supply (100 V)	Ref.
	40879102	Main Power Supply (220 V)	Ref.
	40879103	Main Power Supply (240 V)	Ref.
1	40771908	• Chassis Assembly	1
2	70073613	• 10 Amp Circuit Breaker (120 V)	1
	70073610	• Breaker 100/220/240 V (7A) (Not Shown)	2
3	70073605	• 2 Amp Circuit Breaker (120 V)	1
	70073608	• Breaker 100/220/240 V (5A) (Not Shown)	1
4	21375902	• 3 Wire Convenience Outlet	2
5	40772001	• Power Transformer (120 V)	1
	46509302	•• Power Transformer (100/220/240 V)	1
	70075601	•• Post Contact (120 V)	6
	70075601	•• Post Contact (100/220/240 V)	5
	70097504	•• Contact	1
	70091308	•• Terminal Lug (120 V)	1
	70091308	•• Terminal Lug (100/220/240 V)	4
6	30749002	• Cap Housing	1
	70097504	•• Contact (100/220/240 V)	3
7	70097504	• Contact (120 V)	2
	70091308	•• Terminal Lug (120 V)	2
	70091308	•• Terminal Lug (100/220/240 V)	4
8	30834509	• Power Cord Assembly (120 V)	1
9	70232104	• Strain Relief	1
10	61086501	• Circuit Board Assembly - Main Power Supply	1
11	21724101	• Terminal Strip (100/220/240 V) (Not Shown)	1
12	21943801	• MOV Assembly (100/120 V)	1
	21943701	• MOV Assembly (220/240 V)	1

Figure 8-17. Central Control Computer

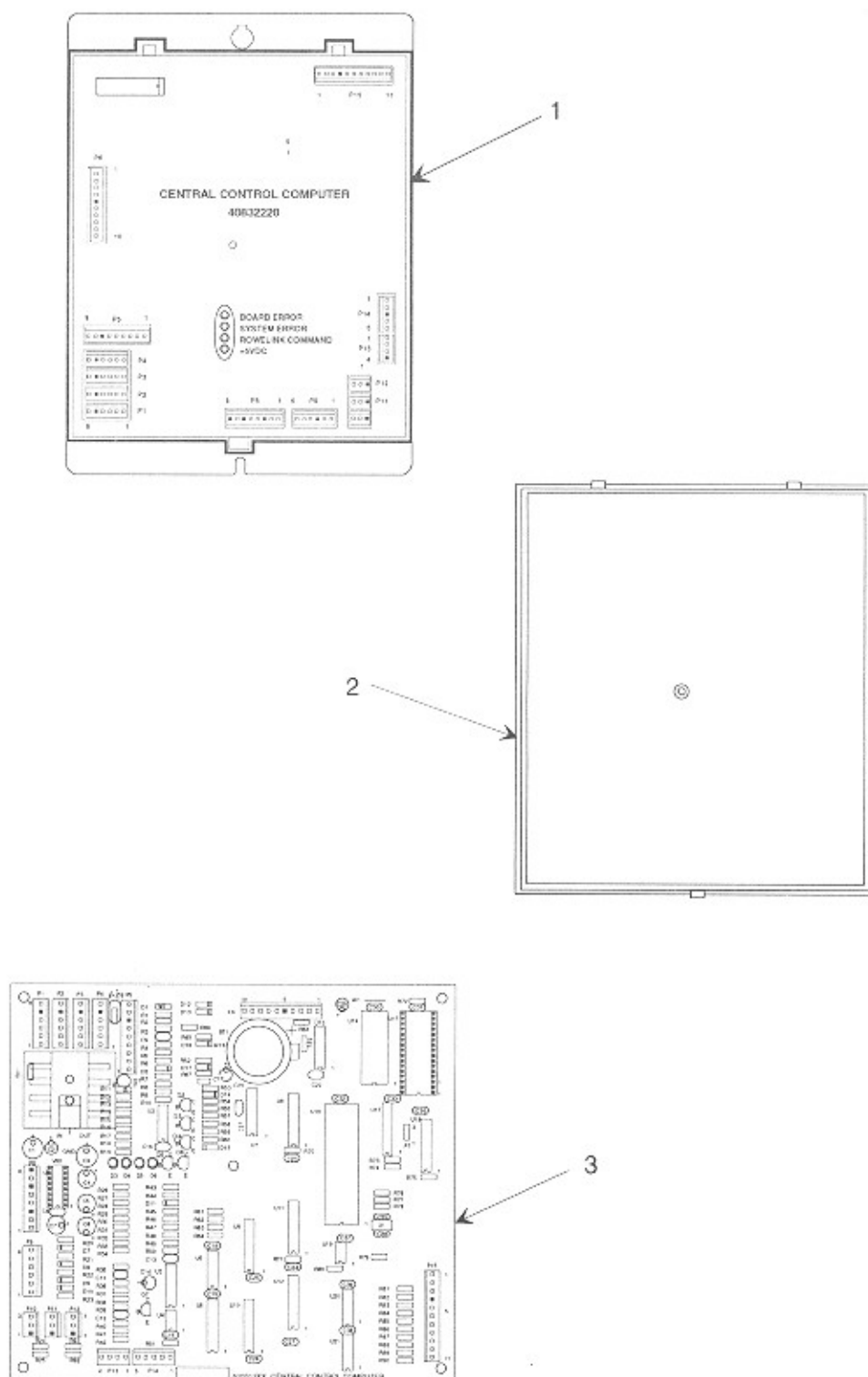


Figure 8-17. Central Control Computer Assembly

Ref.	Part No.	Description	Qty.
	40832220	Central Control Computer Assembly	Ref.
1	61031202	• Central Control Computer Cover	1
2	61031301	• Central Control Computer Base	1
3	61031120	• Central Computer Circuit Board Assembly	1

Figure 8-18. Mechanism Assembly
Sheet 1

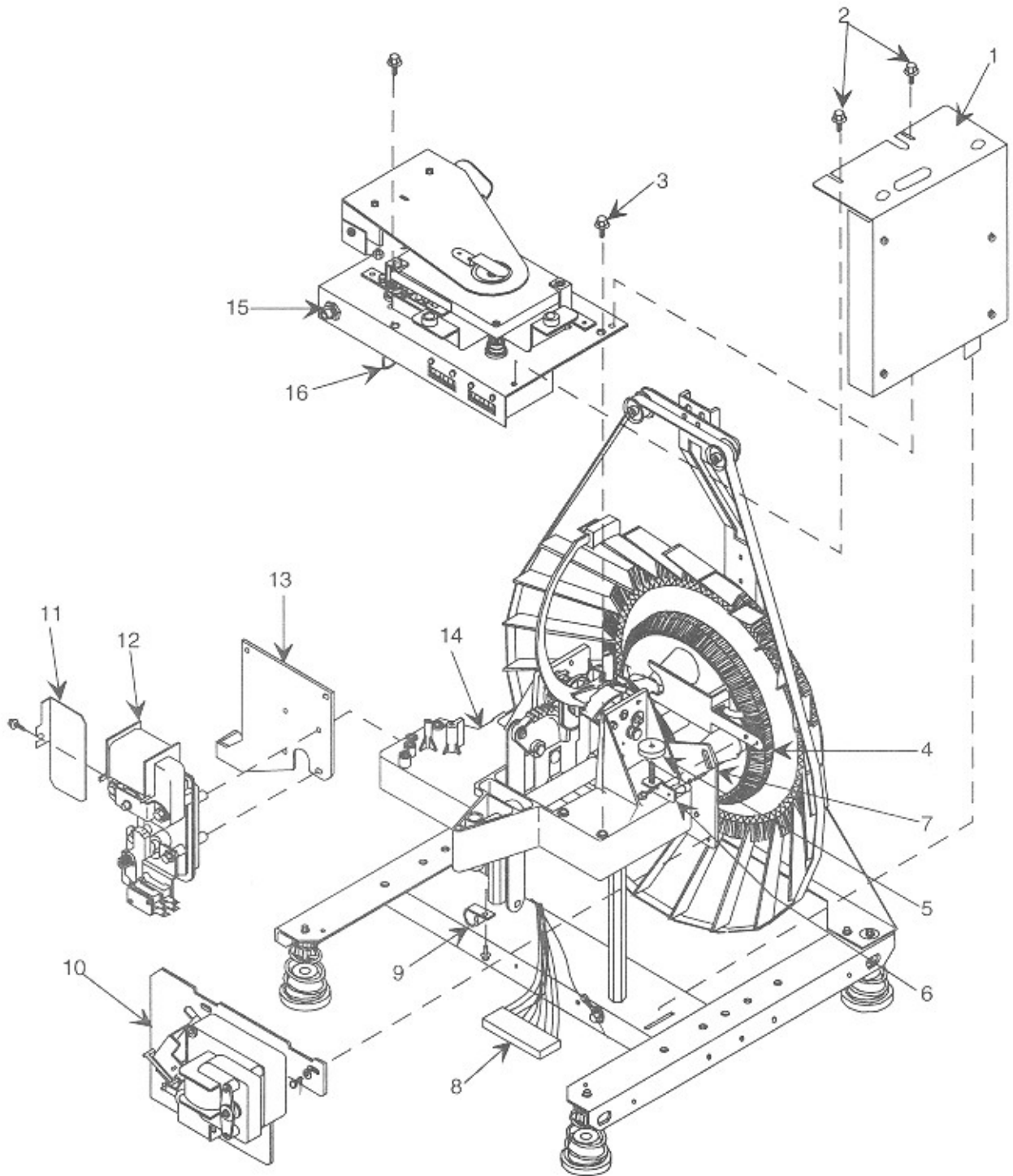


Figure 8-18. Mechanism Assembly (Sheet 1)

Ref.	Part No.	Description	Qty.
	61085701	CD Mechanism Assembly	Ref.
	40871601	Ribbon Harness (Not Shown)	1
1	61086201	• Mech Control Assembly	1
2	80443004	• 8-32 x 1/4" Hex Head Screws	2
3	80743010	• 8-32 x 5/8" Plate Mounting Screw	1
4	30906801	• Optical Switch Assembly	1
5	21818401	• Adjusting Knob	1
6	21818601	• Assembly Adjusting Bracket	1
7	40721801	• Mounting Plate (Intermediate)	1
8	40830003	• CD Harness Assembly	1
9	70093401	• Cable Clamp	1
10	40721901	• Sprag Assembly	1
11	30946901	• Oil Spray Shield	1
12	40720802	• Cam Switch & Motor Assembly	1
13	30790701	• Motor Mounting Plate	1
14	60870703	• Mechanism Base	1
15	61092402	• Plate & Player Assembly	1
16	30967602	• Mounting Plate Reinforcement Bracket	1

Figure 8-18. Mechanism Assembly
Sheet 2

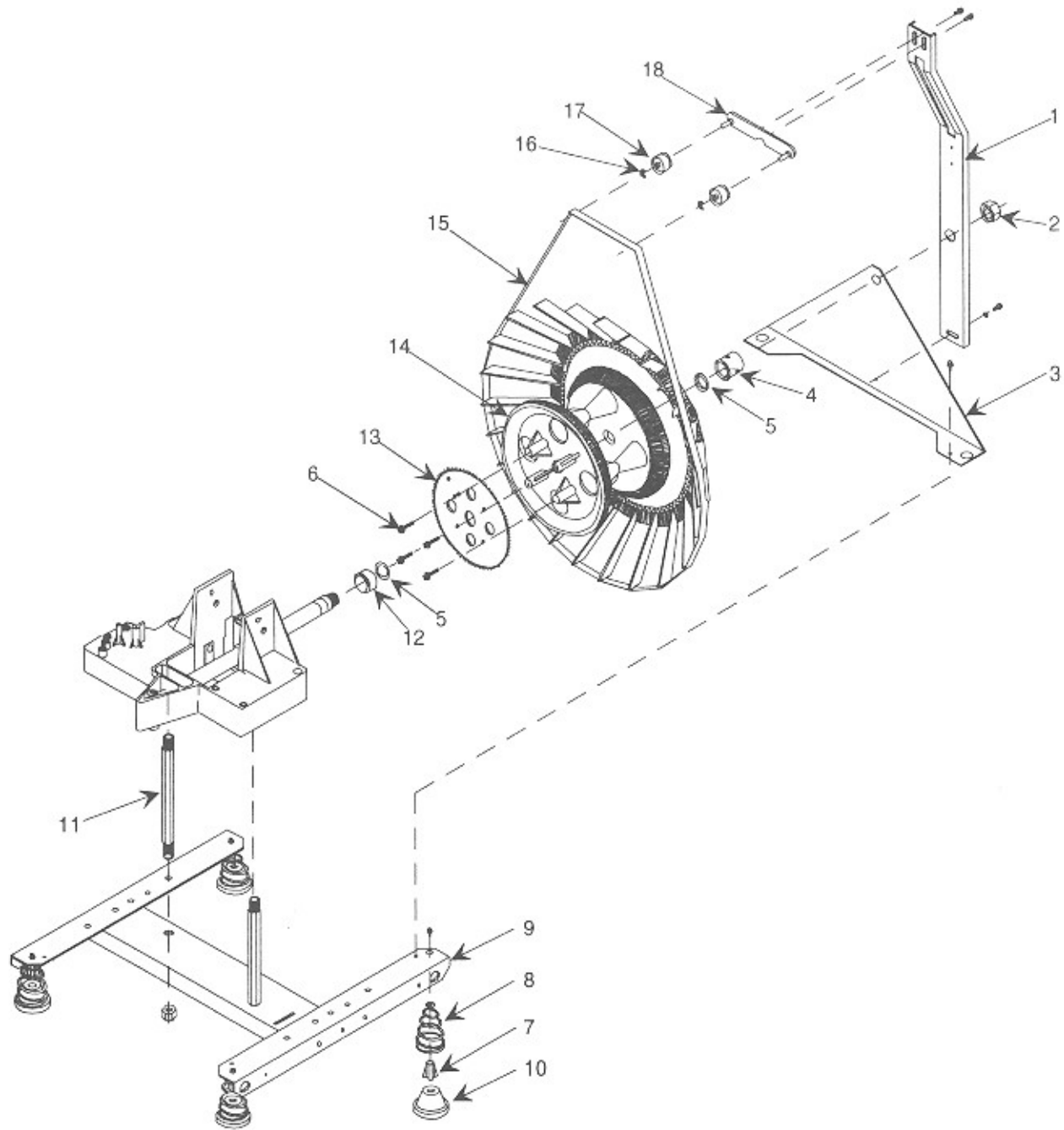


Figure 8-18. Mechanism Assembly (Sheet 2)

Ref.	Part No.	Description	Qty.
	61085701	CD Mechanism Assembly	Ref.
1	40721303	• Gripper Bow Guide Assembly	1
2	70130109	• 9/16-18 Jam Nut	1
3	61052901	• Rear Support	1
4	21812601	• Collar	1
5	70146001	• Nyliner Bearing	2
6	86663612	• #8-32 X 3/4 HWRHS Type 17 Screw	4
7	20627202	• Upper Support Spring	4
8	20612804	• Spring	4
9	30791502	• Mech Assembly Support	1
10	21153701	• Lower Support Spring	4
11	21812501	• Mechanism Support	2
12	25156906	• Shoulder Washer	1
13	30790401	• Magazine Gear	1
14	61045801	• CD Magazine Assembly	1
15	21813802	• Belt	1
16	70143003	• External Retaining Ring	2
17	20384301	• Belt Roller	2
18	21089401	• Roller Bracket Assembly	1

Figure 8-18. Mechanism Assembly

Sheet 3

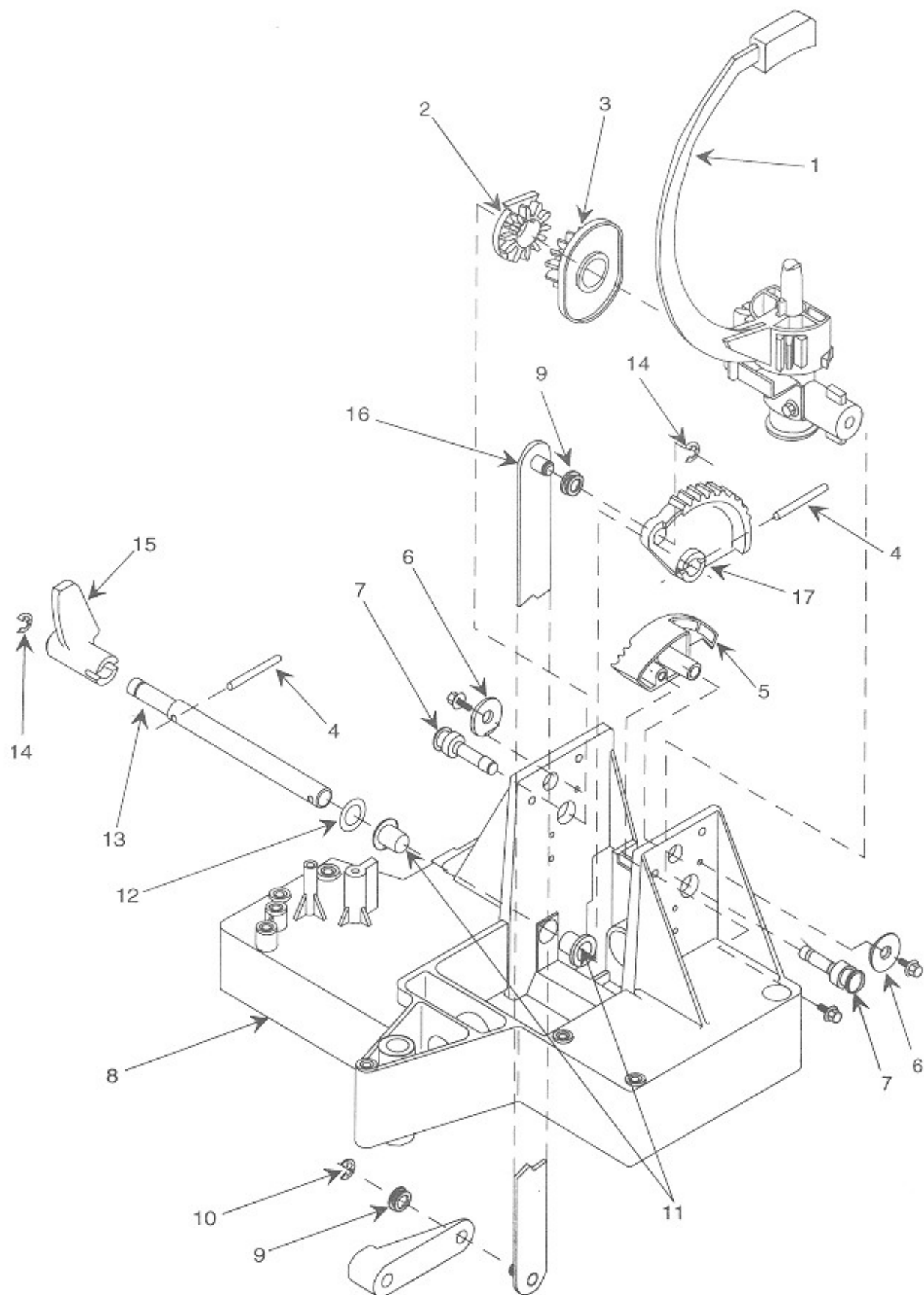


Figure 8-18. Mechanism Assembly (Sheet 3)

Ref.	Part No.	Description	Qty.
	61085701	CD Mechanism Assembly	
1	40720703	• Gripper Bow & Trunnion Assembly	1
2	40720401	•• Cam Gear	1
3	40720601	•• Trunnion Gear	1
4	70113003	•• Roll Pin	2
5	30790603	• Rotator Assembly	1
6	70120010	• Washer	2
7	21079202	• Trunnion Pin	2
8	60870703	•• Mechanism Base	1
9	70146004	•• Nyliner Bearing	2
10	70143004	•• External Retaining Ring	2
11	70146005	•• Nyliner Bearing	2
12	70122533	•• Bowed Washer	1
13	21813202	•• Cam Drive Shaft	1
14	70143010	•• External Retaining Ring	1
15	30930002	•• Hold Down Cam	1
16	21810201	•• Transfer Link Assembly	1
17	40720502	•• Sector Gear	1

Figure 8-18. Mechanism Assembly
Sheet 4

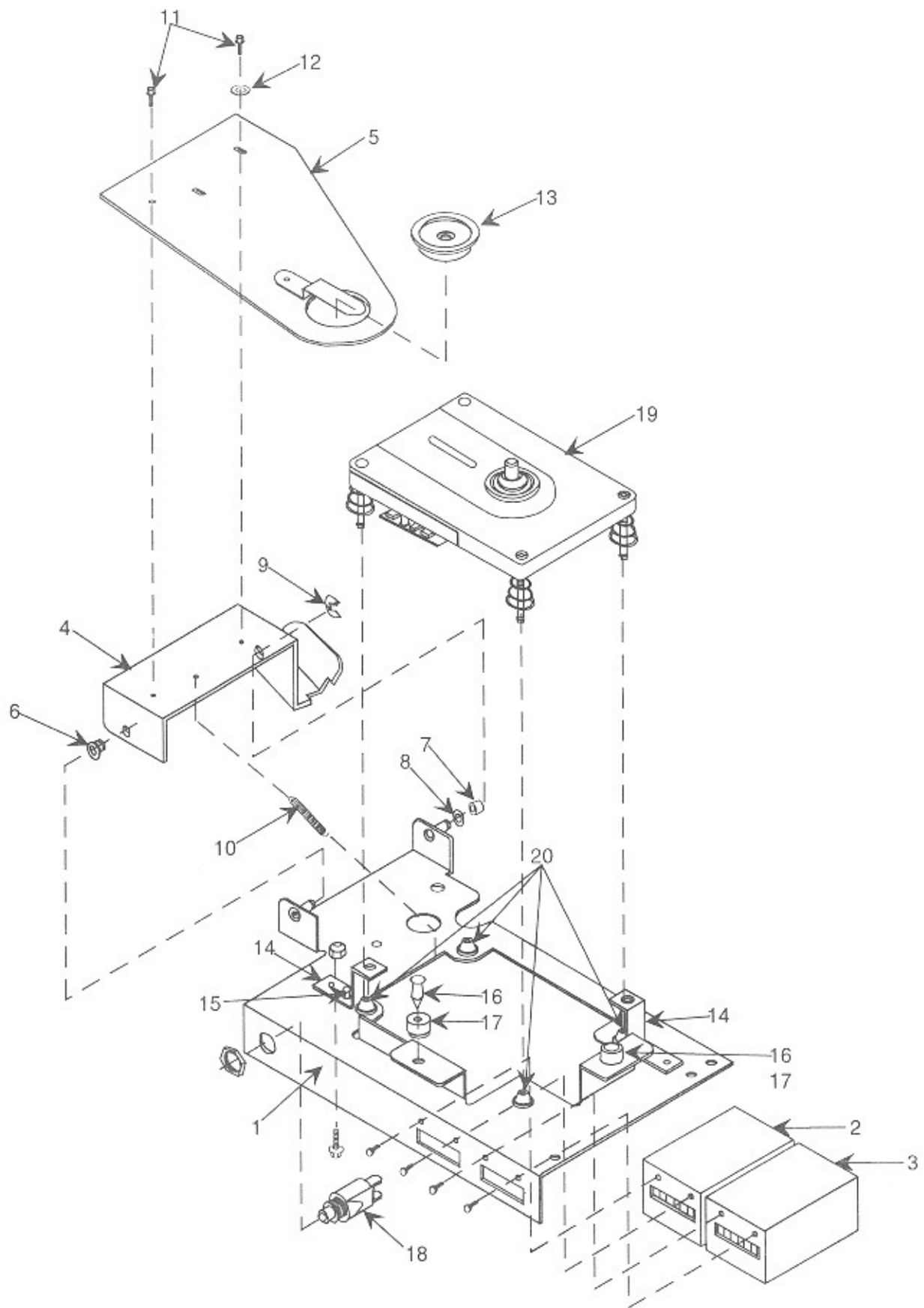


Figure 8-18. Mechanism Assembly (Sheet 4)

Ref.	Part No.	Description	Qty.
	61085701	CD Mechanism Assembly	
1	61048004	• Mounting Plate	1
2	21538302	• Money Counter	1
3	21441802	• Play Counter	1
4	40847501	• CD Hold Down Hinge	1
5	30954701	• Hold Down Plate Assembly	1
6	70146004	• Nyliner Bearing	1
7	21996101	• Hinge Bearing	1
8	70120703	• Nylon Washer	1
9	701430041	• External Retaining Ring	1
10	21095501	• Tension Spring	1
11	80443005	• 8-32 x 5/16" Hex Head Screws	2
12	70120019	• Washer	1
13	30930402	• Holddown Magnet	1
14	21961202	• Lockdown Bracket.....	2
15	80443004	• 8-32 x 1/4" Hex Head Screws	2
16	20930007	• Accordion Rivet	2
17	21813901	• Grommet	2
18	21581801	• Cancel Switch	1
19	30995302	• CDM-12 w/Centering Hub	1
20	21940102	• Grommet	4

Figure 8-19. Sprag Assembly

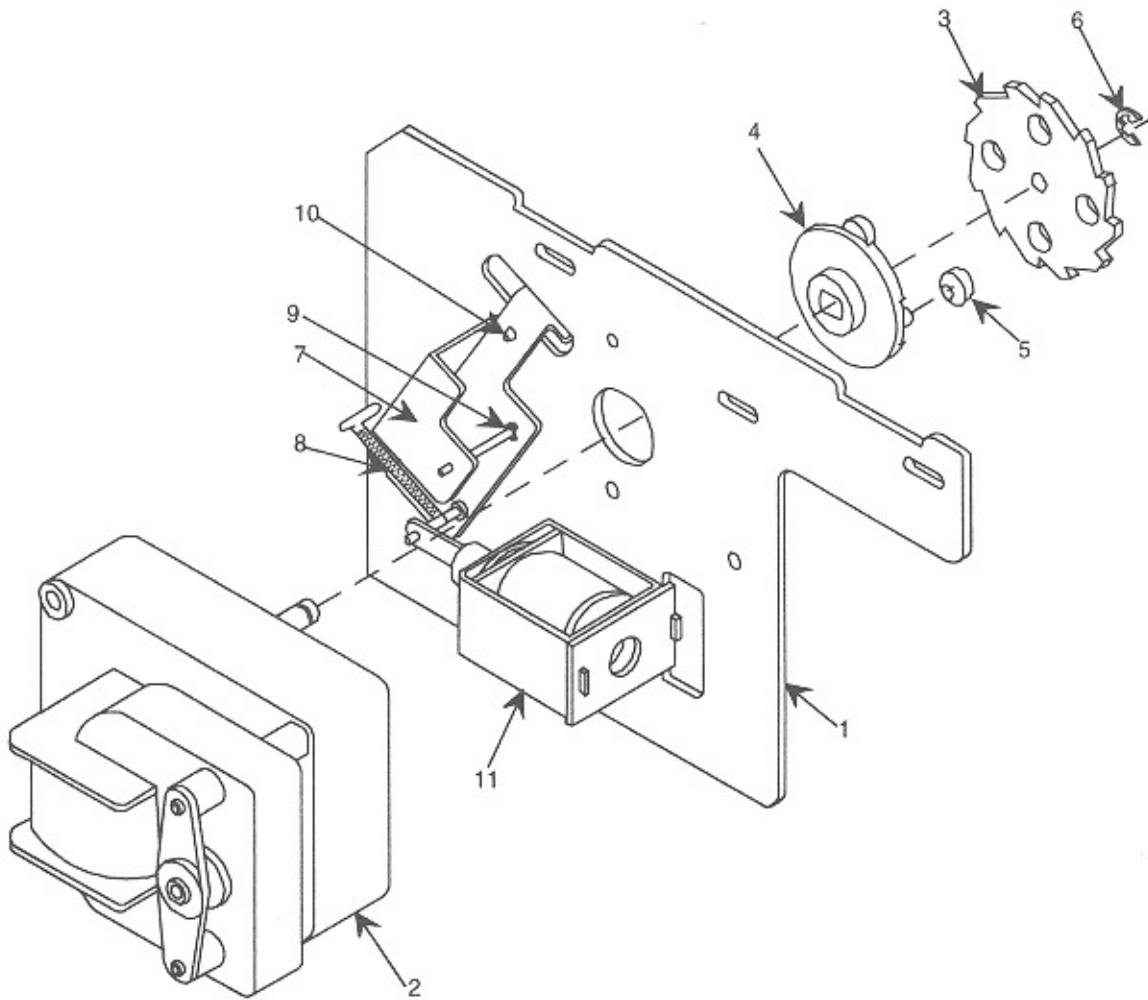


Figure 8-19. Sprag Assembly

Ref.	Part No.	Description	Qty.
	40721901	Sprag Assembly	Ref.
1	30793901	• Sprag Plate Assembly	1
2	40722701	•• Magazine Motor	1
3	40722301	•• Sprag Wheel	1
4	30793301	•• Sprag Wheel Hub	1
5	21816103	• Stem Bushing (Rubber)	4
6	70143003	• Retaining Ring	1
7	21816001	• Sprag Lever Assembly	1
8	21256201	• Tension Spring	1
9	70143005	• Retaining Ring	1
10	25155901	• Split Stem Bumper	2
11	21150510	• Solenoid Assembly	1
12	21085701	• Plunger Assembly	1
13	21084902	• Plunger Stop	1

Figure 8-20. Cam Switch and Motor Assembly

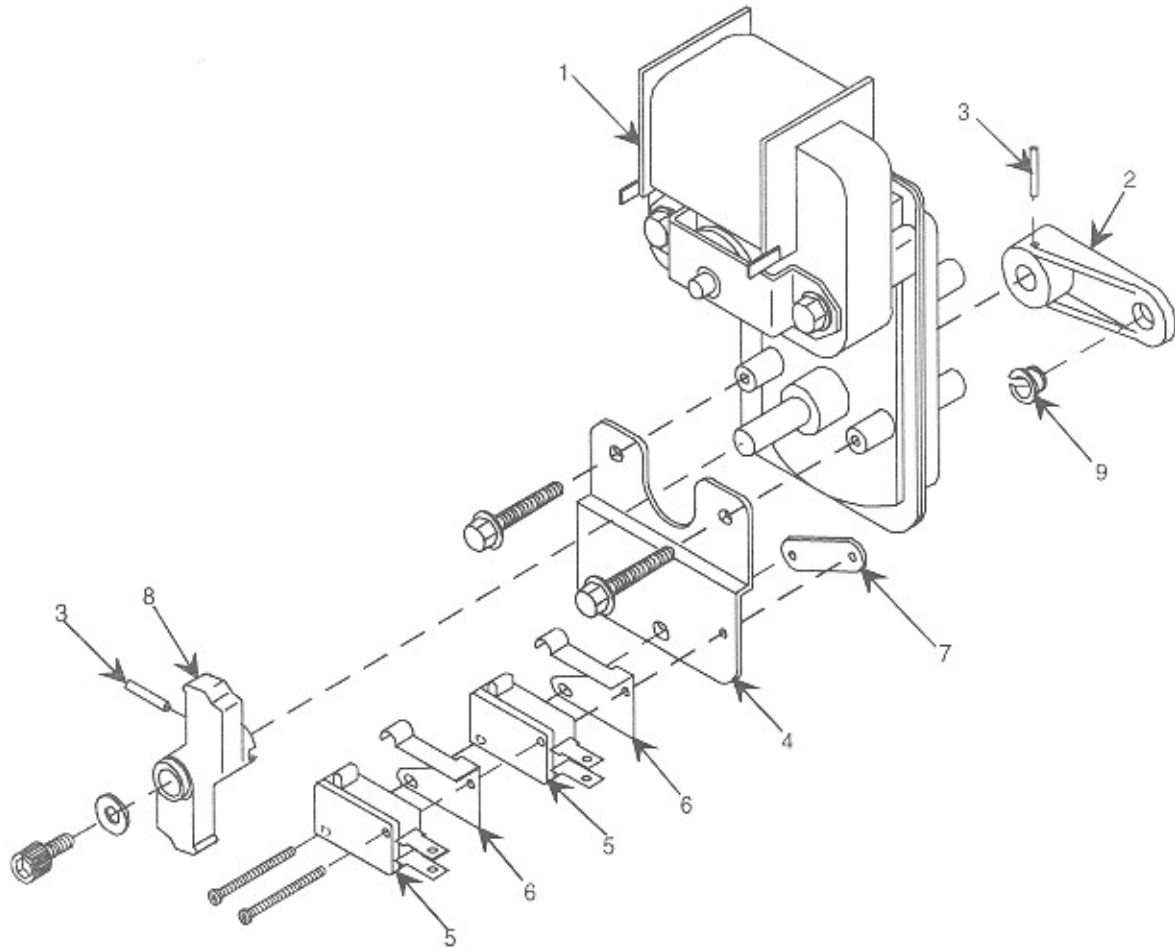


Figure 8-20. Cam Switch and Motor Assembly

Ref.	Part No.	Description	Qty.
	40720802	Cam Switch and Motor Assembly	Ref.
1	40720901	• Cam Motor	1
2	21810401	• Trunnion Crank	1
3	70113116	• Roll Pin	2
4	30790901	• Switch Plate	1
5	21073101	• Switch	2
6	21082901	• Switch Actuator	2
7	21083001	• Twin Nut	1
8	30793402	• Switch Cam	1
9	70146004	• Bearing	1

Table 8-2. Accessory Equipment

Part No.	Description	Function
26704401	Phonograph paging system with tabletop microphone.	Paging system not affected by A.V.C. All plug-in unit, complete with microphone and 50 foot microphone cable.
26704402	Phonograph paging system with hand-held microphone.	Paging system not affected by A.V.C. All plug-in unit, complete with microphone and 50 foot microphone cable.
26694703	Amplifier Accessory Kit NOTE: This kit will work with all 607925XX and 610237XX preamplifiers.	Provides access to auxiliary inputs and outputs of the preamplifier. Inputs will accept signals from most background music sources, such as tape players and AM/FM radios. Outputs are available to drive slave amplifiers before or after volume control.
21639701	Background Music Kit	Allows the phonograph to play Autoplay and customer selected music at different levels. Music can be played at different volumes in two different rooms or music can be switched to different rooms during either Autoplay or customer selections.
30632201	Remote Volume and Cancel control	This remote stereo volume control includes a cancel button. This kit does not include cable. A 3-conductor cable is required.
60898004	Remote volume power switch and cancel control	In addition to volume and cancel functions, the phonograph can be turned OFF and ON from a remote position. The CD currently playing is automatically canceled when the phonograph is turned OFF. The amplifier remains OBN so that paging is possible. For domestic 120 volt phonographs only. Cable is not included. A four conductor cable is required.
30632209	Dual Remote Volume Control	Controls volume of each channel separately. Does not include cable. A four conductor cable is required.
20819907	Remote volume and cancel control cable	This 3-conductor 50 foot cable connects a remote volume control to a phonograph.
20819908	Remote volume and cancel control cable	This 4-conductor 50 foot cable connects a remote volume control to a phonograph.
66505910	Service Kit	Includes central computer, digital display, power supply board, optical switch, power supply heat sink, blank titles, micro switches, peanut lamps, and fuses.
66505909	Service Kit	Includes mechanism controller and decoder assembly, CDM-12 CD player with mounting accessories.
26711401	Amplifier Adapter Harness	Allows a 130 watt amplifier to be connected to a phonograph as a replacement amplifier (the total amplifier output will be limited to 130 watts in this configuration).
26699503	Security Bar Kit	Heavy steel bar locks in place over cash box door. A padlock is required (not supplied by Rowe).
21945601	Printer Interface Kit	Allows you to connect a serial RS-232 printer to the phonograph. The printer must be at least a 40-column printer (Citizen Model IDP-560 is recommended).
21957502	Laserstar Infrared Remote Control Kit	Wireless remote control of: volume, cancel, selections, and pause. Volume of each channel can be controlled separately, or both channels can be controlled at once.
26714103	Black Metallic Touch-Up Paint	
26713501	Dual Phonograph Kit	Connects two CD phonographs together for continuous music with no delay between selections. Provides selecting from 200 CD's and 500 watts RMS power.

Parts Included In The Handy Case

(Refer to Figure 8-5, Item 10)

21730516	• Accessories Bag Assembly	1
21827201	•• Bag - Zip Lock	1
70097501	••• Contact - Universal Connector (Pin)	6
70097502	••• Contact - Universal Connector (Socket)	6
70075601	••• Contact - Post	10
70091012	••• Terminal Lug - Spade	10
70072002	••• Fuse Cartridge (8 amp.)	2
70072106	••• Fuse Cartridge (5 amp.)	2
26676802	••• Quality Card - Phonograph	1
21957002	•• Routine Service Guide	1
30931304	•• Alternate Price Card	1
61031402	•• Universal Price Sheet	1
30935903	•• Blank Title Strip With Numbers	15
30940601	•• Title Page Filler	8
30935904	•• Blank Title Strip (Without Numbers)	15
21969501	•• Errors Guide	1
21822636	•• Service Manual - Volume 1	1
21822637	•• Service Manual - Volume 2	1
21627602	•• Conductive Bag	1
21945401	•• Graphic Equalizer Instructions	1
21951301	•• CD Setup Instructions	1
21961601	•• CD Retainer Instructions	1

This page intentionally left blank.