

## Section 2: Installation And Programming

### INTRODUCTION

This section describes the installation and programming process. This information begins with a summary of what happens when the phonograph is powered up and continues with detailed instructions on how to load the titles and discs, modify the pricing and set up the sound system. The last part of this section describes how to make other programming changes (You can keep a record of the factory settings and your changes by using the *Operator's Set-Up Sheet* at the end of this section if you wish).

### POWER ON

The following steps are a summary of the detailed *Power On Process* that is described in *Section 5* of this manual.

- Step 1. Power turned on, main power supply +8 VDC, 28 VDC, and 28 VAC LED's light, and all modules and components receive power.
- Step 2. The +5 VDC LED's light on the CCC, mechanism control, OBA-2 control unit, and digital display. The Board Error LED's on CCC and mechanism control flash three times. The OBA-2 Control Unit BA Status and RS-485 Status LED's flash one time. The CCC Rowelink Command, mechanism control Rowelink Response, and OBA-2 Control Unit RS-485 Status LED's continuously flicker.
- Step 3. Phonograph is ready to operate.

### LIFTING THE TITLE RACK



#### CAUTION:

Do not attempt to turn the CD title pages by hand. Use the handwheel on the back of the title rack (*see figure 1-2*).

Before you begin changing discs, you may wish to lift the title rack to give yourself more room to work. Lift the title rack as follows:

1. Open the phonograph top door.
2. Rotate the two retaining latches on the ends of the title rack lower support bar (*see figure 2-1*) away from the support bar and lift the bottom of the title rack up and toward you with your left hand.
3. With your right hand, swing the title rack support brace out to hold the title rack in the raised position.

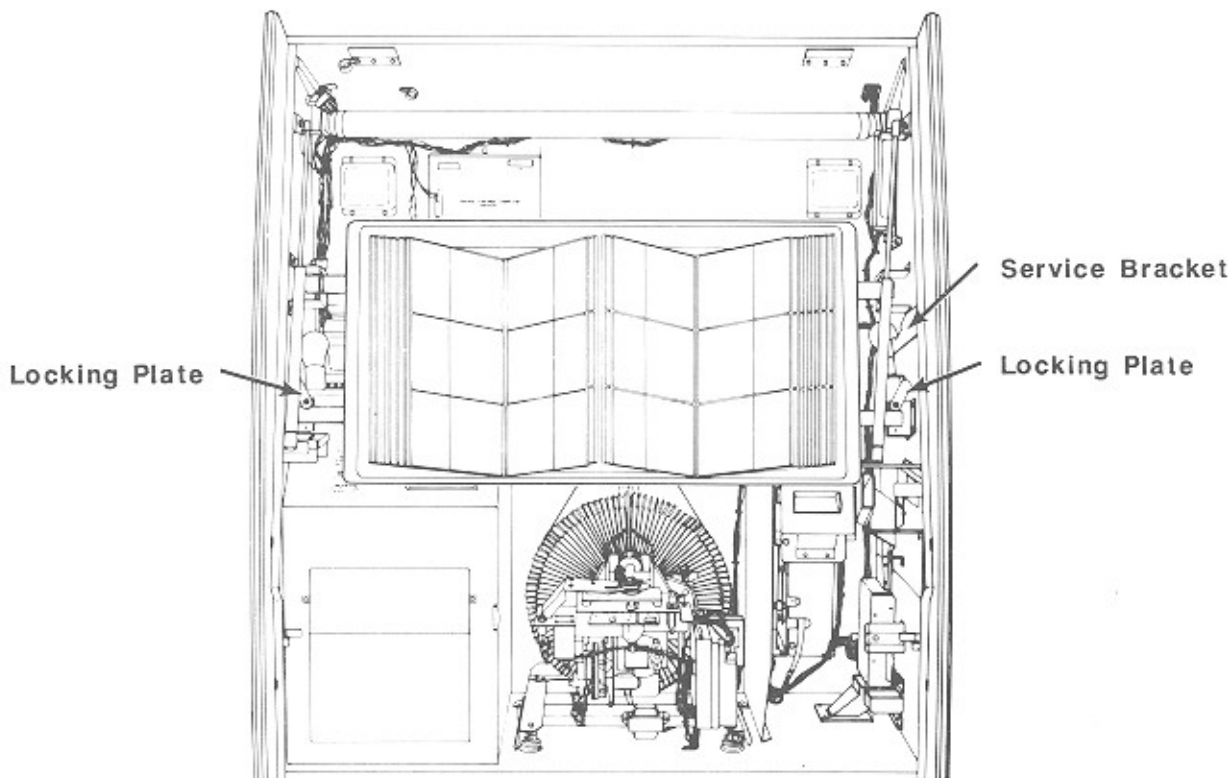


Figure 2-1. Raising The Title Rack

## LOADING CD'S AND TITLES



### **CAUTION:**

Do not attempt to turn the CD title pages by hand. Use the handwheel on the back of the title rack (see figure 1-2).

The procedure for loading CD's and titles into an empty phonograph is different from the procedure to change CD's and titles. Please make sure that you are following the procedure that describes your situation.

### **Preparing Titles For The Title Rack**

If your titles have not been shipped with the discs or pre-printed, you will need to prepare the title strips yourself.

## Loading The Title Rack

All of the titles on the title strip sheet can be used for either right or the left-hand titles. If your title strips have not been pre-printed, you may want to type the titles before you tear the individual title strips off of the title strip sheet.

Refer to the sample, *Blank Title Sheet*, in *figure 2-2*. Refer to *figure 2-2* for examples of how to tear the title strips off of the title strip sheets.

These step-by-step instructions describe the procedure to load one CD album and one title strip. Repeat this procedure for each CD that is being loaded.

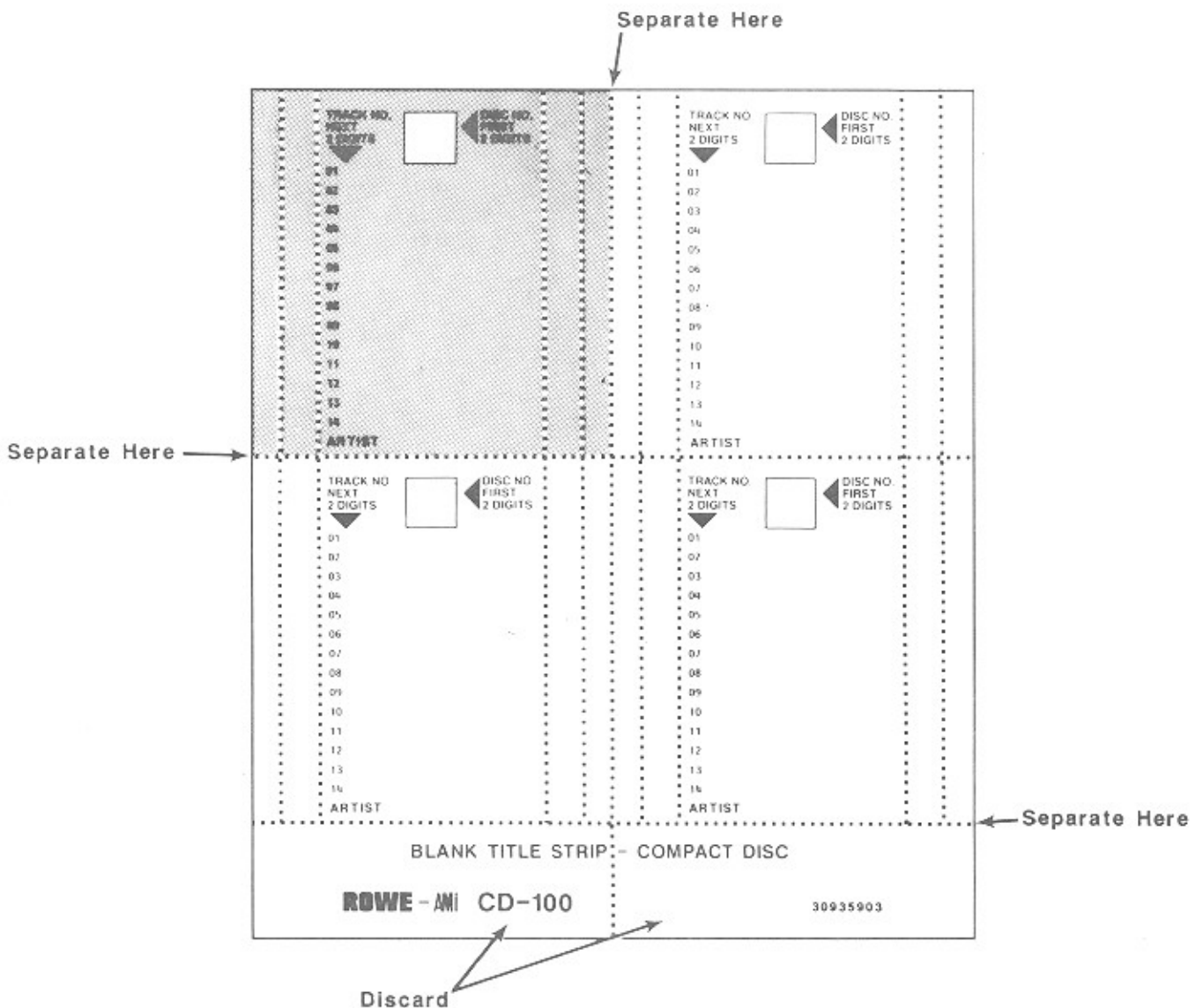


Figure 2-2. Blank Title Sheet

## STEP-BY-STEP INSTRUCTIONS

1. Tear each title strip from the title sheet so that the two perforated columns appear on the side of the title strip (the shaded portion of the title strip in *figure 2-2* represents a title strip that has been removed from the title sheet).
2. Fold the title strip along the inner most perforated line on both sides of the title strip (*see figure 2-3*).
3. Locate the CD album booklet that matches the title strip that you have just made. If the CD booklet is more than two sheets thick, remove the inner sheets so that the booklet is no thicker than two title strips.

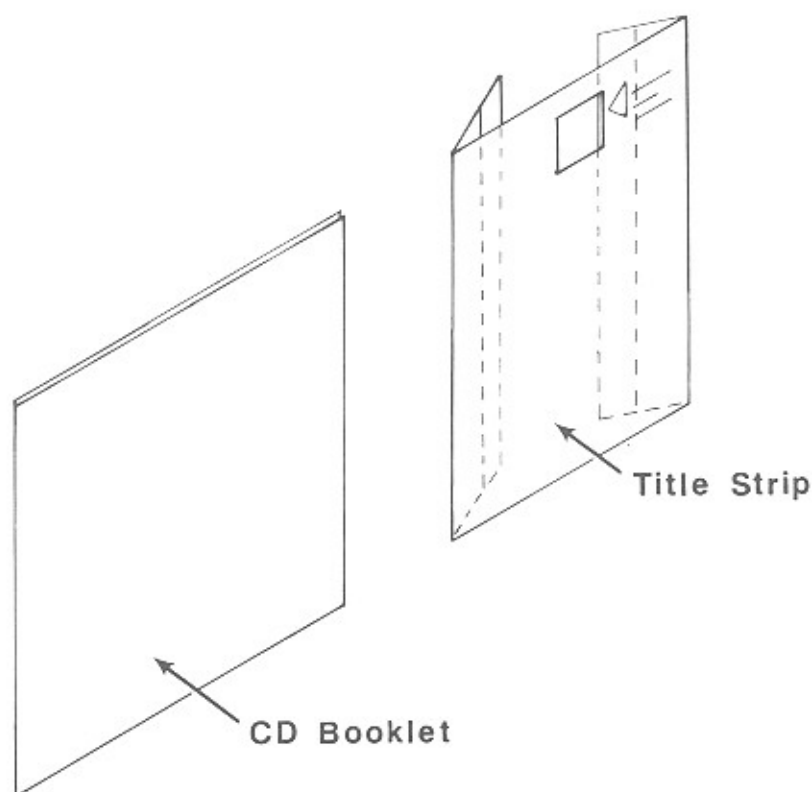


Figure 2-3. Folding The Title Strip

4. Insert the CD booklet under the top and bottom tabs of the title rack. Slide the CD booklet toward the pivot of the title rack until the booklet is trapped by the molded stops on the title page (*see figure 2-4, ref A*).
5. Insert the folded title strip under the top and bottom tabs of the title rack. Slide the title strip until the disc number shows in the opening of the title strip and the title strip is locked in place by the molded stops (*see figure 2-4, ref B*).
6. All of the tabs surrounding the CD booklet and title strip should be holding them in place. If you missed a tab, carefully tuck the loose paper under the tab as shown in *figure 2-4, ref C*.
7. Repeat steps 4 and 5 until all titles are installed. Use the CHANGE PAGE buttons to change title rack pages. Insert filler title strips (Part Number 30940601) to fill out any unused space left on a page. Insert these in the same way that you installed the fill-in title strips.



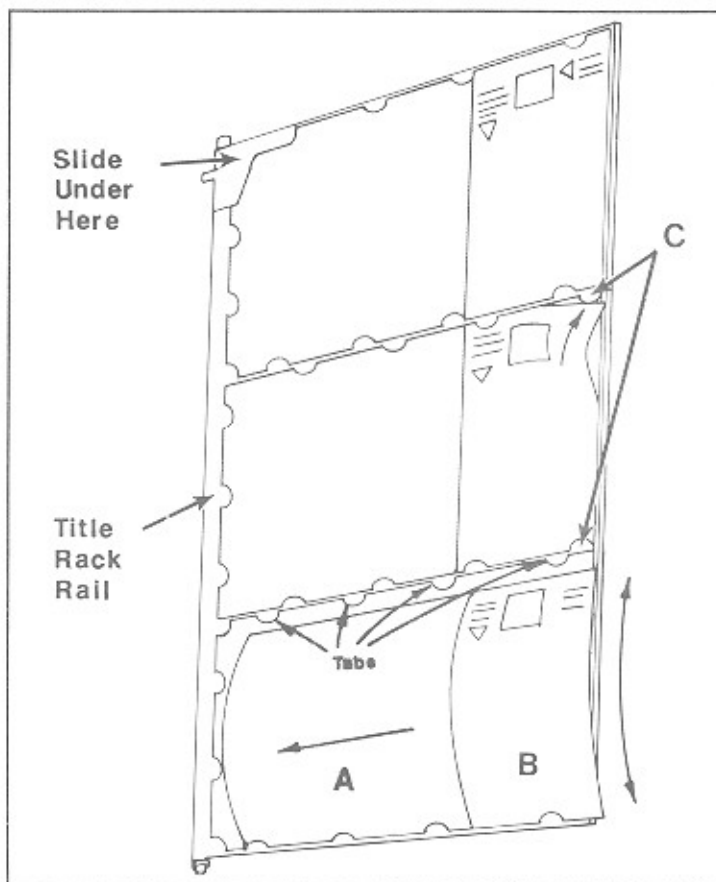


Figure 2-4. Loading The Title Rack

## LOADING DISCS

Load discs as follows:

1. Unlock and open the top door, if not already done.
2. Move the SERVICE switch to the SERVICE position, if not already done (refer to figure 2-5).
3. Press the CANCEL/SCAN button to move the disc space to the left or right of the transfer arm.
4. Slide the CD into the slot with the label to the right (figure 2-6).

### NOTE:



When loading discs, be sure to keep the magazine disc load approximately balanced. If the magazine is partially loaded with all discs on one side, The sprag wheel may lock and the magazine will not turn.

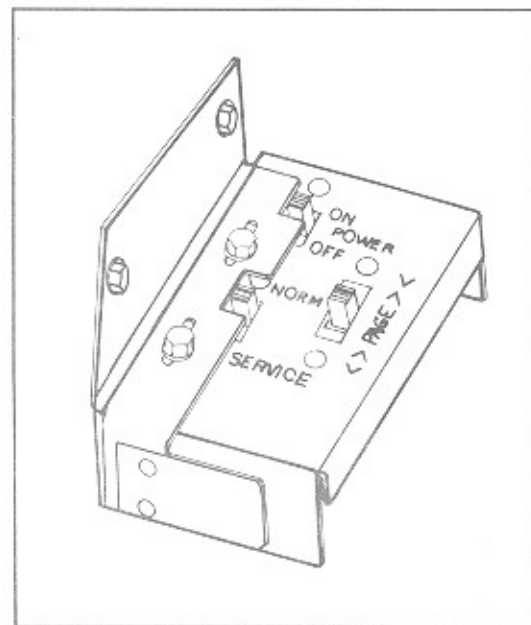


Figure 2-5 Service Switch

5. Check title strips and disc sequence to ensure that the titles and discs correspond.
6. After all titles and discs are in the proper places, perform a disc initialization. Initialization is performed in the following manner:
  - A. Make sure that the phonograph is in the SERVICE mode and \*SERVICE MODE\* appears on the display.
  - B. Type 3 to select the INITIALIZE sub menu and type 0. FULL INITIALIZE will appear on the display. Press POPULAR to start the initialization and close the top door or place the phonograph in the NORMAL mode.

The initialization process will start and continue for approximately 30 minutes. During this time, the phonograph can be used (see the notes that follow).

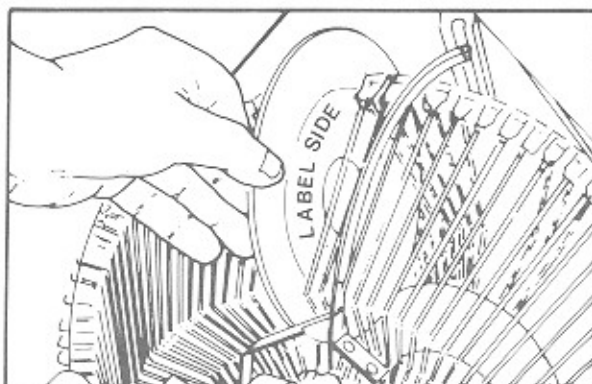


Figure 2-6. Loading A Disk

7. When initialization is finished, check that all discs have initialized. To do this, re-enter the SERVICE mode and:
  - A. Type 3 to select the INITIALIZE sub menu and then type 4 to view the number of discs that have been initialized. If this number does not match the number of discs that should have been initialized, do the following step. If the number matches the number of discs that you expected to be initialized, initialization is complete.
  - B. If the number of discs initialized does not match the number of discs that you expected to be initialized, hold RESET and press 0 twice. This will place you in the DISC \_\_ TRACK \_\_ menu and display the first disc and its number of selections. Hold RESET and press 3 to see the next disc and its number of selections. Continue through the list by holding RESET and pressing 3 until you find a disc with the number of tracks equal to 0 (zero). Continue through the disc list noting, all discs with track numbers equal to 0.
  - C. Check that each disc on your list (ones with track numbers equal to 0) is in the proper slot, with the label facing to the right. If it is not, move it to the proper slot. If the disc is in the proper slot, it may be defective. Repair or replace it and do the individual disc initialization (see *Changing Discs in Section 3*).

## NOTE:



1. The initialization process will stop whenever the phonograph is in the SERVICE mode, and will resume when the phonograph is returned to the NORMAL mode if the phonograph is in Standby (i.e. no selections are in memory).
2. During full initialization, all disc limits are initially set to 99. As each disc is scanned, the proper limits for that disc are stored in memory allowing only valid selections to be made.

## SETTING TITLE PAGE LIMITS FOR THE FIRST TIME

This procedure gives you specific instructions on how to set the page limits only.

The phonograph is shipped with all pages accessible. Pages 1 through 9 can be "flipped" and viewed. When you install discs, you may not need all 9 pages. If you do not need all 9 pages, you should restrict page movement to just those pages that have titles. Set the title page limits as follows:

1. Unlock and open the top door, if not already done.
2. Move the SERVICE switch to the SERVICE position, if not already done (*refer to figure 2-5*).
3. Make sure that \* SERVICE MODE \*, appears on the display.
4. Type 2 to select the ATTRACT sub menu then type 4 to select the PAGE LIMIT function and you will see the display for entering the first page number to use and the last number to use. Press POPULAR, which sets the first page number to 1. Notice that the blinking number has moved to the right. Type the last page number to be used and press POPULAR.

## PRICING

The prices charged for CD selections may be changed as needed. When shipped from the factory the prices are set as follows:

**Price of Selections**

3 Selections for \$1.00  
7 Selections for \$2.00  
18 Selections for \$5.00

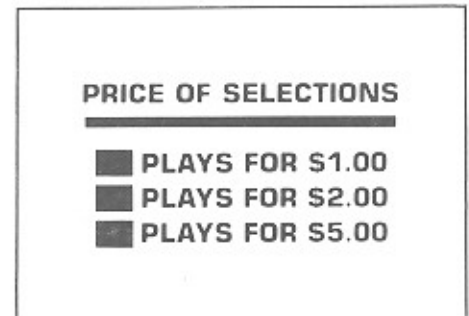
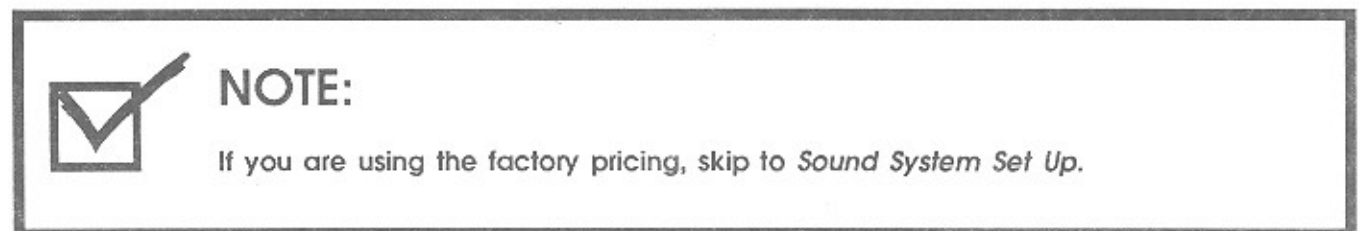


Figure 2-7A. Alternate Price Card



### To set Alternate Disc prices:

The Handy Case has an Alternate Price Card (*see figure 2-7A*) that may be substituted for the Standard Price Card. The Handy Case also contains a Price Sheet with printed prices (*see figure 2-7B*), which can be peeled off and placed at the appropriate spot on the Alternate Price Card.

Using the phonograph keyboard, the pricing structure of the phonograph may be adjusted to match the prices on the Alternate Price Card. The maximum amount that can be charged for a selection is \$99.95. The maximum number of selections that can be entered is 999. The POPULAR key must be pressed to record the data entered on the display.

If you wish to use alternate pricing, follow the steps to complete the Alternate Price Card and enter the prices. Also, for your records, fill-in the Pricing section of the Rowe CD Phono Operator's Set Up Sheet at the end of this section. Before making the actual pricing changes, step through the sample pricing that follows:

### How CD-100A Pricing Works

Pricing is determined by the numbers that are stored in the PRICE LEVELS and PLAYS @ LEVEL menus. The LEVEL 1 PRICE corresponds to the LEVEL 1 PLAYS in the following way: Enough money must be deposited to reach the first (#1) price level before any selections can be made. Once the amount of money matches this price, the number of selections in the LEVEL 1 PLAYS menu can be made.

To make pricing changes, set the LEVEL 1 PRICE and LEVEL 1 PLAYS to match the lowest price and number of plays on the Alternate Price Card. Then enter the remaining PRICE LEVELS and PLAYS @ LEVEL until you have set all five levels (if you do not have prices for all levels, enter 0's in all of the remaining PRICE and PLAYS positions).

### SAMPLE PRICE CHANGES

1. Determine the prices that are to be charged for disc selections and place the price decals from the Price Sheet into the slots on the Alternate Price Card. The following is an example of a completed Alternate Price Card:

#### Price of Selections

4 for \$1.00  
9 for \$2.00  
25 for \$5.00

2. Enter the SERVICE mode by setting the SERVICE switch to the SERVICE position.

The figure shows a grid of numbers for pricing and a diagram of the price card with instructions.

1	1	1	1	2	2	2	2	3	3	3	3	4	4	4	4	5	5	5	5	6
6	6	6	7	7	7	7	8	8	8	8	9	9	9	9	10	10	10	10	11	11
11	12	12	12	13	13	13	14	14	14	15	15	15	20	20	20	25	25	25	30	30
30	35	35	35	40	40	40	45	45	45	50	50	50	55	55	55	60	60	60		

**PRICE OF SELECTIONS**

- PLAYS FOR \$1.00
- PLAYS FOR \$2.00
- PLAYS FOR \$5.00

**INSTRUCTIONS**

1. IF SPECIAL PRICING IS REQUIRED, USE THIS UNIVERSAL PRICE SHEET AND THE SPECIAL PRICE CARD FOUND IN THE HONEY LIST.
2. PEEL DESIRED PRICING STRIP FROM THE SHEET AND CAREFULLY LOCATE IT OVER COLORED BLOCK NEAR LEFT OF PRICE CARD.
3. IF NO PARTICULAR PRICING IS NOT WANTED, PEEL OFF UNDERLINE STRIP FROM BOTTOM OF SHEET AND PLACE CAREFULLY OVER PRICING NOT WANTED.

Figure 2-7B. Universal Price Sheet



### NOTE:

This example will not give the correct dollar amounts for U.S. money unless PRICING OPTION 3 is set to 5 (this is the factory setting for U.S. phonographs and you should not have to change it).

Use the prices in the example that follows to help yourself understand the phonograph's pricing better.

## Example CD Prices

4 for \$1.00  
 9 for \$2.00  
 25 for \$5.00



## If You Have A Problem In A Menu

1. Press and hold down RESET and then press 0 until you come to the top of current menu.
2. If this menu name doesn't help, Press and hold RESET and then press POPULAR. This will move you to the top of the previous menu. In most cases, this will return you to the main menu (\*SERVICE MODE\*).
3. If you still cannot determine where you are, press and hold RESET and then press POPULAR again. This will return you to the main menu (\*SERVICE MODE\*).

3. Select the PRICE LEVELS menu, Option 1, from the main menu by pressing 511.
4. Now enter the LEVEL 1 PRICE, which is the lowest disc selection price (enter 0100 and press POPULAR).
5. Move down to the next price (LEVEL 2 PRICE) by pressing and holding RESET and then pressing 1. Enter the next highest price (enter 0200 and press POPULAR).
6. Move down to the next price (LEVEL 3 PRICE) by pressing and holding RESET and then pressing 1. Enter the next highest price (enter 0500 and press POPULAR).
7. Move down to the next price (LEVEL 4 PRICE) by pressing and holding RESET and then pressing 1. Enter 0000 (because only three prices are being used) and press POPULAR.
8. Move down to the last price (LEVEL 5 PRICE) by pressing and holding RESET and then pressing 1. Enter 0000 and press POPULAR.
9. Press and hold RESET while pressing POPULAR 2 times. This will place you in the main menu. Select the PLAYS @ LEVEL menu, Option 1, from the main menu by pressing 521.
10. Enter the number of disc selections to be given for the lowest amount on the disc portion of the example price card into LEVEL 1 PLAYS (enter 004 and press POPULAR).
11. Move down to the next play option (LEVEL 2 PLAYS) by pressing and holding RESET and then pressing 1 (enter 009 and press POPULAR).
12. Move down to the next play option (LEVEL 3 PLAYS) by pressing and holding RESET and then pressing 1 (enter 025 and press POPULAR).
13. Move down to the next play option (LEVEL 4 PLAYS) by pressing and holding RESET and then pressing 1 (enter 000 and press POPULAR).

14. Move down to the last play option (LEVEL 5 PLAYS) by pressing and holding RESET and then pressing 1 (enter 000 and press POPULAR).

### CHECKING THE PRICING

1. Add bills (and coins, if a coin acceptor is installed) to reach the first (or next) price level. Check for proper credit at each price level.

### SOUND SYSTEM SET UP

If you are not using extension speakers, skip to *Sound System Acoustical Compensation (Equalizer Tone Controls)*.

### Extension Speaker Operation

To avoid a poor sounding phonograph, care must be taken when adding extension speakers. Three requirements must be met:

1. Speakers must be wired so that the power consumed by the phonograph speakers and the extension speakers does not exceed the amplifier power rating.
2. Extension speakers should produce the desired sound level relative to the sound level of the speakers on the phonograph.
3. All speakers must be connected with the correct polarity.



#### NOTE:

The left channel output phase is reversed with respect to the right channel. This reversal is necessary to extend monaural sound in a stereo phonograph system. Because of this reversal, speaker connections to the left channel must be reversed when compared to the right channel, except for 70-volt speaker connections. The 70-volt phasing is reversed inside the output transformers.

Several charts have been included to assist you with connecting the extension speakers. *Figure 2-8* shows the entire sound system.

### 70-Volt Speakers

To avoid prohibitive cable losses on long speaker lines, 70-volt speakers should be used as much as possible.

The power level in the 70-volt speakers is set at each speaker.

### Low Impedance Speakers

Low impedance speakers (8 ohms) can be used when the connecting cable is less than 100 feet.

### 4-OHM SPEAKERS

No more than one 4-ohm speaker should be connected to a speaker line. If several 4-ohm speakers are to be used, each speaker should have its own line.

## 8-OHM SPEAKERS

The loss in 100 feet of zipcord feeding one 8-ohm speaker is 15%. The loss for two 8-ohm speakers is 30%.

Do not connect a low impedance speaker to a speaker tap that exceeds the speaker's power rating.



### CAUTION:

In any speaker installation, the total speaker load (the sum of all power ratings of all speakers) must not exceed 250 watts.

---

## SELECTING SPEAKER POWER

### General Instructions

This section will lead you through the power and speaker selection process. This process consists of three major steps and several smaller steps. The major steps are:

1. Identifying the extension speakers and computing the extension speaker power
2. Making the external speaker connections
3. Determining and selecting the phonograph power

### Step-By-Step Instructions

1. Use a pencil (you may want to revise your figures) to fill in the work sheet on the following pages.



**Table 2-1. Extension Speaker Work Sheet**  
*Sheet 1*

Extension speakers are available in these general categories: General purpose speakers (4 and 8 ohm speakers) and 70-volt speakers.

Use this work sheet to help you calculate the amount of power consumed by the extension speakers.

Use *table 2-2* as a guide to help you select which power tap to use for each type of external speaker that you are using.

**4-OHM SPEAKERS**

Place the quantity of stereo speakers in the blank under QTY and multiply the quantity times the power consumption (show stereo speakers as 2 speakers). Place your results in the TOTAL blank.

4-Ohm Stereo Speakers	QTY	Total	Connections
Speakers for the 1 watt taps:	___ at 1 watt each =	___ watts	(E1 to E2)
Speakers for the 1.75 watt taps:	___ at 1.75 watts each =	___ watts	(E4 to E5)
Speakers for the 4 watt taps:	___ at 4 watts each =	___ watts	(E1 to E3)
Speakers for the 9 watt taps:	___ at 9 watts each =	___ watts	(E2 to E4)
Speakers for the 16 watt taps:	___ at 16 watts each =	___ watts	(E1 to E4)
Speakers for the 28 watt taps:	___ at 28 watts each =	___ watts	(E1 to E5)
Speakers for the 64 watt taps:	___ at 64 watts each =	___ watts	(E1 to E6)
Speakers for the 113 watt taps:	___ at 113 watts each =	___ watts	(E1 to E7)
4-Ohm Mono Speakers			
Speakers for the 4 watt taps:	___ at 4 watts each =	___ watts	(E2 to E2)
Speakers for the 16 watt taps:	___ at 16 watts each =	___ watts	(E3 to E3)
Speakers for the 64 watt taps:	___ at 64 watts each =	___ watts	(E4 to E4)
Speakers for the 113 watt taps:	___ at 113 watts each =	___ watts	(E5 to E5)

**Table 2-1. Extension Speaker Work Sheet**  
*Sheet 2*

**8-OHM SPEAKERS**

Place the quantity of stereo speakers in the blank under QTY and multiply the quantity times the power consumption (show stereo speakers as 2 speakers). Place your results in the TOTAL blank.

**8-Ohm Stereo Speakers**

	QTY		Total	Connections
Speakers for the .5 watt taps:	___ at .5 watt each =		___ watts	(E1 to E2)
Speakers for the .9 watt taps:	___ at .9 watts each =		___ watts	(E4 to E5)
Speakers for the 2 watt taps:	___ at 2 watts each =		___ watts	(E1 to E3)
Speakers for the 4.5 watt taps:	___ at 4.5 watts each =		___ watts	(E2 to E4)
Speakers for the 8 watt taps:	___ at 8 watts each =		___ watts	(E1 to E4)
Speakers for the 14 watt taps:	___ at 14 watts each =		___ watts	(E1 to E5)
Speakers for the 24 watt taps:	___ at 24 watts each =		___ watts	(E2 to E6)
Speakers for the 32 watt taps:	___ at 32 watts each =		___ watts	(E1 to E6)
Speakers for the 57 watt taps:	___ at 57 watts each =		___ watts	(E1 to E7)

**8-Ohm Mono Speakers**

Speakers for the 2 watt taps:	___ at 2 watts each =		___ watts	(E2 to E2)
Speakers for the 8 watt taps:	___ at 8 watts each =		___ watts	(E3 to E3)
Speakers for the 32 watt taps:	___ at 32 watts each =		___ watts	(E4 to E4)
Speakers for the 57 watt taps:	___ at 57 watts each =		___ watts	(E5 to E5)
Speakers for the 128 watt taps:	___ at 128 watts each =		___ watts	(E6 to E6)

**70-VOLT SPEAKERS**

70-Volt speakers have a power tap on them or on their associated transformer. Add together all of the 70-volt speaker tap settings and enter that value:

\_\_\_ watts (A1 to A2)

**Table 2-1. Extension Speaker Work Sheet**  
Sheet 3

Combine all speaker's consumptions:

	Stereo	Mono	
4-Ohm:	_____	_____	
8-Ohm:	_____	_____	
70-Volt:	_____	_____	
<b>Totals:</b>	_____	+ _____	= _____

Subtract the Grand Total from 250 and write the result

in the blank at the end of this line: **Power Available For The Phonograph** \_\_\_\_\_

The Grand Total is the amount of power that the phonograph will need to supply to the extension speakers. This amount must be less than 250 watts. If this amount is not less than 250 watts, you must reduce the power used by the extension speakers to reduce the total power consumed; then recalculate the total power consumed.

When you subtract the Grand Total from 250, you will get the "Power Available For The Phonograph" figure. Be sure to write this value down in the blank because you will not be using it until you have wired all of the extension speakers.

- When you have reached a satisfactory combination of speakers and speaker power consumption, use the CONNECTION column (the connections are in parentheses) as a wiring guide to make the actual connections. Refer to figure 1-1 for the location of the speaker terminal strips and refer to figure 2-8 for typical examples of speaker connections.



**NOTE:**

- The amplifier may be connected to a load of 250 watts before distortion will begin to increase beyond specification.
- Refer to figure 2-9 for remote volume control connection diagrams.

3. The phonograph wires to change are the Violet (left channel) and the Pink (right channel) on the output transformer assembly (see table 2-2).

Use table 2-2 as a guide to select the power used by the phonograph. This power should roughly match the amount indicated in "Power Available For The Phonograph" on the previous page.

Table 2-2. Phonograph Speaker Power

Select the speaker taps that will use up most of the "available Speaker Power".

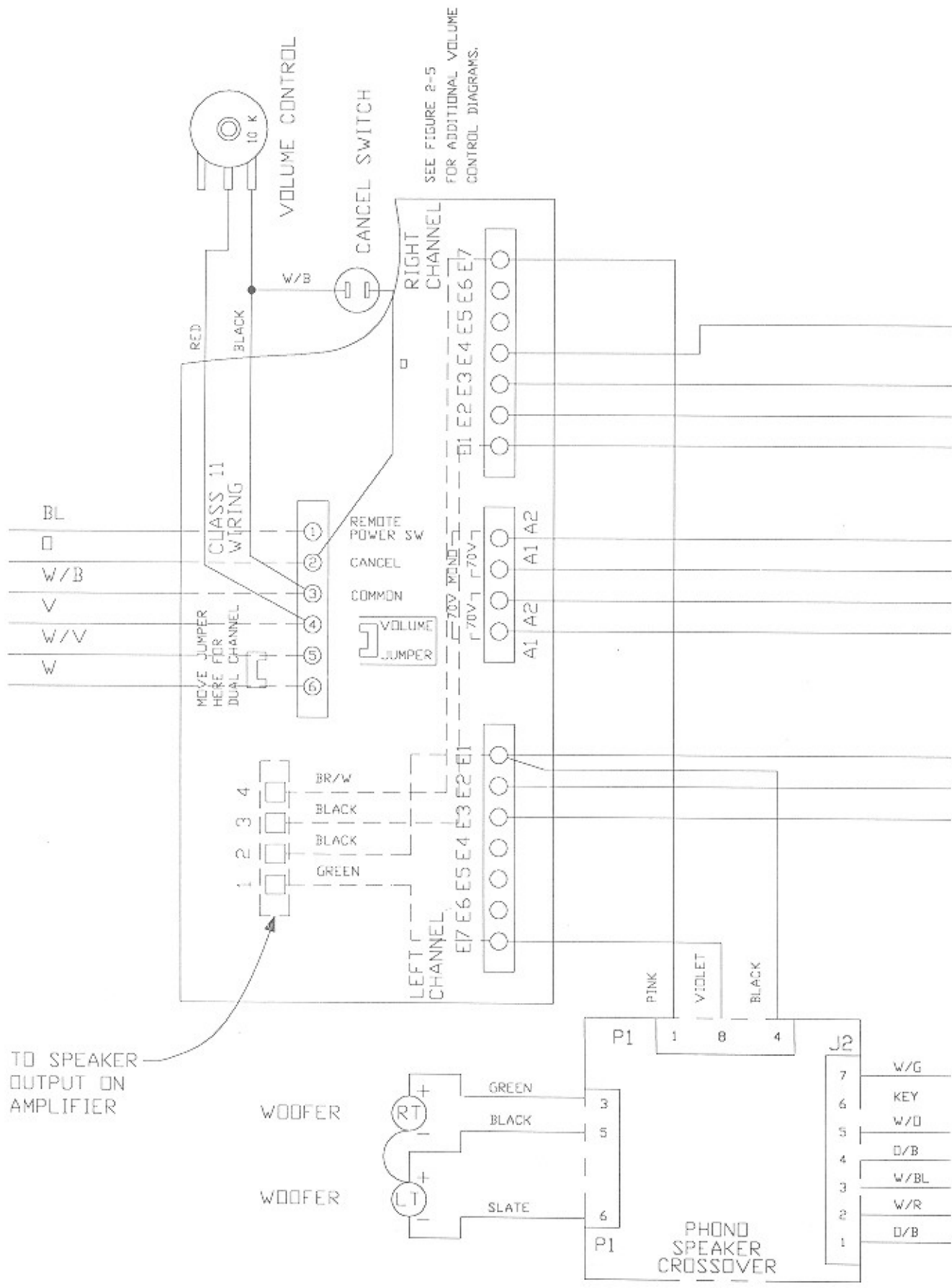
You may select more power or less phonograph power to suit you phonograph volume preference.

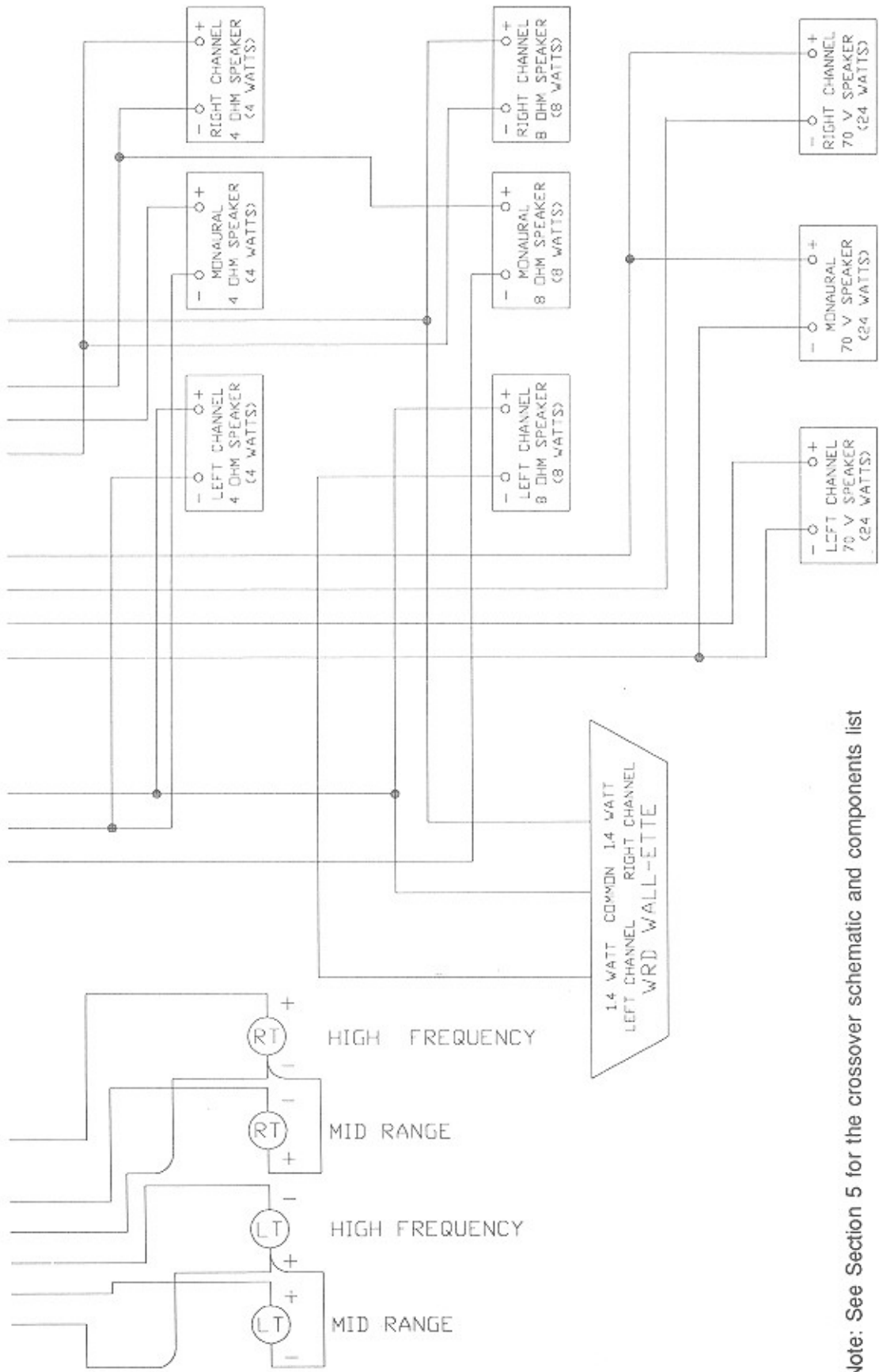
Phono Power <sup>1</sup>	Phono Speaker Connections
1	Violet connects to Left E2, Pink connects to Right E2
4	Violet connects to Left E3, Pink connects to Right E3
16	Violet connects to Left E4, Pink connects to Right E4
28	Violet connects to Left E5, Pink connects to Right E5
64	Violet connects to Left E6, Pink connects to Right E6
113	Violet connects to Left E7, Pink connects to Right E7

Do not move the Black wire; it should stay on either the Left or Right E1 terminal.

4. Check that the amplifier is not overloaded by performing the following four steps:
- A. Make sure that the phonograph and extension speakers are connected to the proper speaker taps.
  - B. Set the volume control fully clockwise (maximum volume) and make a selection.
  - C. While the music is playing, an acceptable load will allow the OVERLOAD INDICATOR(S) to be off or occasionally flicker in a random manner. If the OVERLOAD INDICATOR(S) are always lit or flicker continuously, the amplifier is overloaded and you must perform *step D*.
  - D. Do this step only if the OVERLOAD INDICATOR(S) came on as described in the previous step. Find the source of the overload (shorted speaker wires or too many speakers on line) and repeat *step C*.

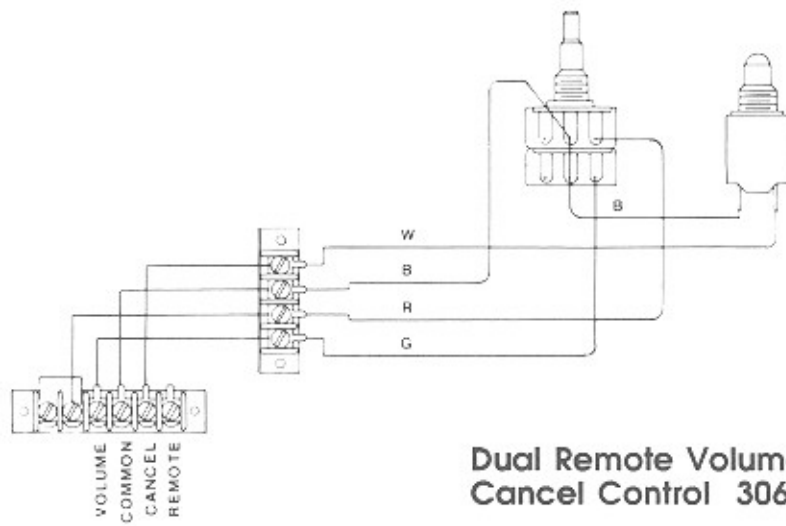
<sup>1</sup> This value is the total for both channels. The power consumption for each channel is one-half of this value.



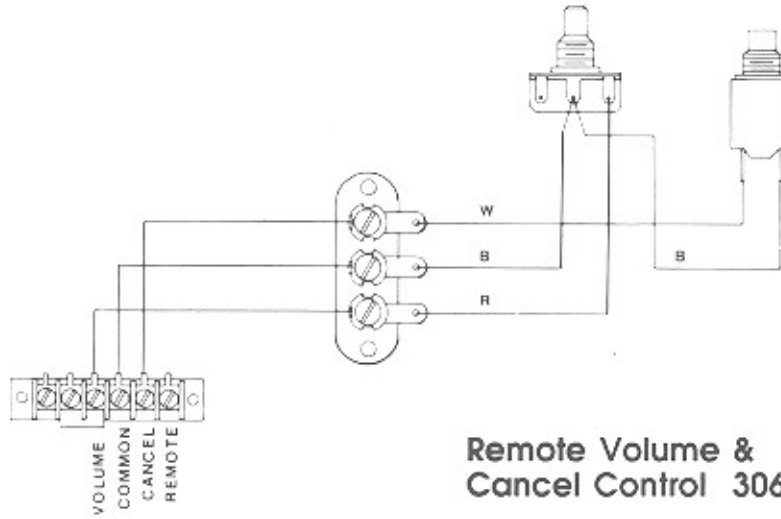


Note: See Section 5 for the crossover schematic and components list

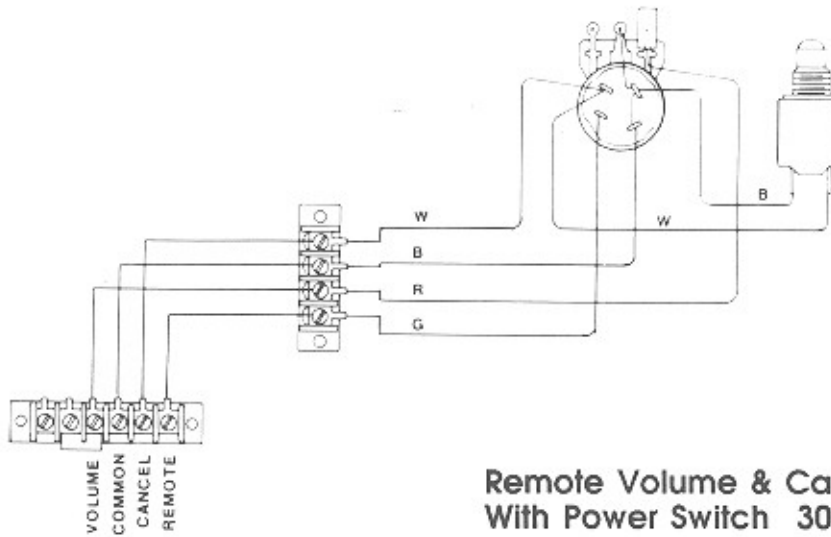
Figure 2-8. Speaker Connections



**Dual Remote Volume &  
Cancel Control 30632209**



**Remote Volume &  
Cancel Control 30632201**



**Remote Volume & Cancel Control  
With Power Switch 30632211**

**Figure 2-9. Remote Volume Control Diagrams**



## SOUND SYSTEM

### Acoustical Compensation (Equalizer Tone Controls)

The preamplifier contains seven tone controls on each channel to compensate for room acoustics in various locations. These controls are on the amplifier chassis. The sound level at which the phonograph will be operated and the room furnishings determine the settings of these controls.

A room with carpet and drapery is a soft or highly absorbent location. A crowded room is also highly absorbent. These locations require greater emphasis of high frequencies.

A room with paneled walls and a bare or tiled floor is a hard, non-absorbent location, which requires greater low frequency emphasis.

Regardless of the room acoustics, the high and low frequency characteristics of your speakers can influence the equalizer settings as much or more than the room acoustics.

### What This Graphic Equalizer Does

This graphic equalizer controls the tone for seven specific tone ranges. The frequency for each range is printed next to each equalizer control.

#### Important:

- ☞ Each of these controls can limit the maximum volume for its range by as much as 85%.
- ☞ This means that if a control is set to minimum, that the maximum power available for that range is only about 40 watts.
- ☞ If all of the graphic equalizer controls are set to minimum, then the phonograph will produce no more than approximately 40 watts of its 250 watt capacity.

### Equalizer Settings

These equalizers work equally well for stereo and mono sound and may be used with single and dual volume controls.

The settings that follow will give a good sound for a room with the matching acoustics (highly-absorbent, moderately absorbent, non-absorbent). Set the right and left channel equalizer controls to the positions that match the room described (or most closely described) in the three illustrations that follow this paragraph. These settings may be just right, or they may not sound 100% right to you. If the sound is not satisfactory, make small changes in the settings until the sound is just the way you want it.

## If The Room Or Speaker System Requires A Trade-Off

Since the equalizer limits the volume of all of the audio frequencies, you may find that the best sound for a specific room or set of speakers requires that most of the graphic equalizer controls need to be turned down. In this situation, the overall phonograph volume may not be adequate. If you find that you have this situation, you will need to increase each graphic equalizer control slightly until the phonograph can produce the required volume.

### Step-By-Step Instructions

Select one of the Room Acoustics that most closely matches your room's acoustics and follow the instructions for that room type. If your room is an average or moderately absorbent room, or you like the phonograph's sound, you can use the factory settings just the way they are.

### Soft And Highly Absorbent Rooms

Rooms with carpet and drapery are considered to be "soft and highly-absorbent."

1. Turn all seven right channel and seven left channel graphic equalizer controls fully counter-clockwise.
2. Turn the 46 and the 108 Hz controls to the position midway between the maximum and the minimum position as shown to the right. Leave all of the other controls turned all the way counter-clockwise.
3. The graphic equalizer's controls should now be set as shown to the right.
4. Play a selection and turn the controls slightly (no more than 1/8 of a turn at a time) until the sound is acceptable. Be sure that the phonograph volume is adequate. If the volume is not adequate, you will need to turn each control up (counter-clockwise) slightly until the volume is satisfactory.

**Remember:** The maximum volume setting is obtained when all controls are turned fully counter-clockwise.

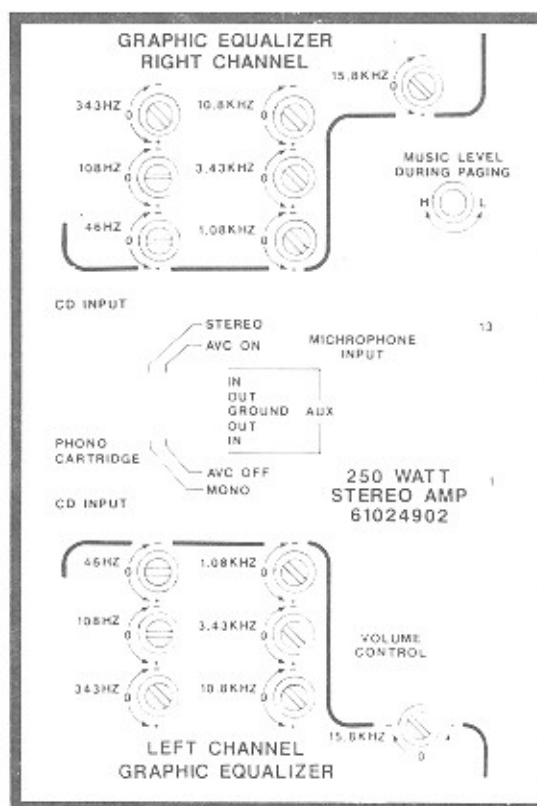


Figure 2-10A. "Soft" Rooms

## Average Or Moderately-Absorbent Rooms

(These are the factory settings)

1. Turn all seven right channel and seven left channel graphic equalizer controls fully counter-clockwise.
2. The graphic equalizer's controls should now be set as shown to the right
3. Play a selection and turn the controls slightly (no more than 1/8 of a turn at a time) until the sound is acceptable. Be sure that the phonograph volume is adequate. If the volume is not adequate, you will need to turn each control up (counter-clockwise) slightly until the volume is satisfactory.

**Remember:** The maximum volume setting is obtained when all controls are turned fully counter-clockwise.

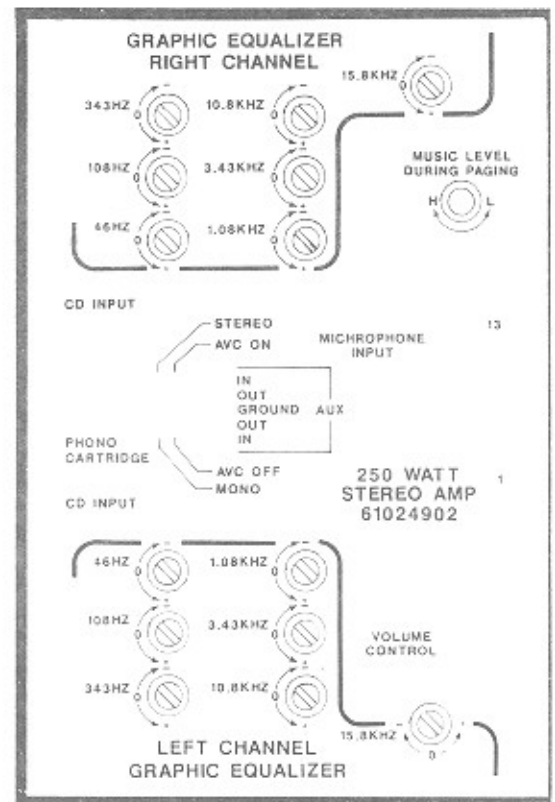


Figure 2-10B. "Average" Rooms

## Hard And Non-Absorbent Rooms

Rooms that are paneled and have bare or tiled floors are considered to be "hard or non-absorbent."

1. Turn all seven right channel and seven left channel graphic equalizer controls fully counter-clockwise.
2. Turn the 15.8 KHz control all the way clockwise as shown to the right.
3. Turn the 10.8 KHz control to the position midway between the maximum and minimum position as shown to the right. Leave the 46 Hz, 108 Hz, 343 Hz, 1.08 KHz, and 3.43 KHz controls turned all the way counter-clockwise.
4. The graphic equalizer's controls should now be set as shown to the right.
5. Play a selection and turn the controls slightly (no more than 1/8 of a turn at a time) until the sound is acceptable. Be sure that the phonograph volume is adequate. If the volume is not adequate, you will need to turn each control up (counter-clockwise) slightly until the volume is satisfactory.

**Remember:** The maximum volume setting is obtained when all controls are turned fully counter-clockwise.

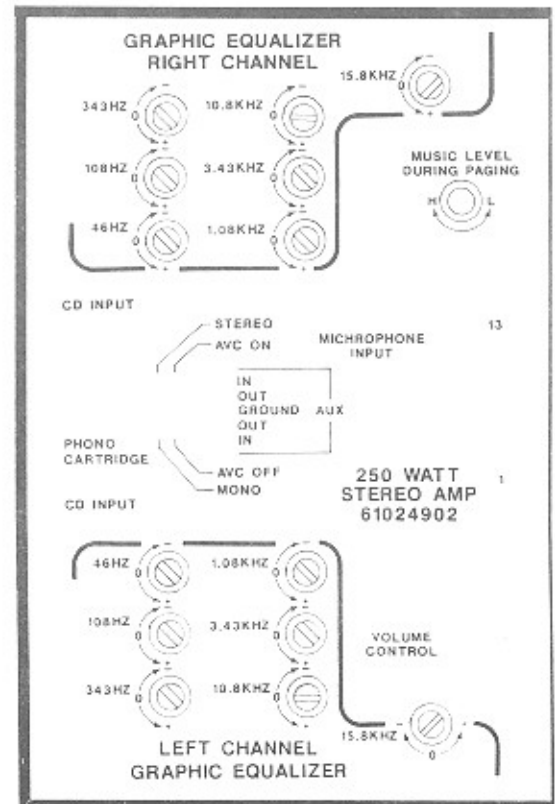


Figure 2-10C. "Non-Absorbent" Rooms

## Paging

Paging circuitry is part of the 61023702 Preamplifier. The microphone cable plugs directly into the preamplifier.



### NOTE:

Basic installation and setup are now completed and the CD-100A is ready for your customer.

Use the procedure that follows to clear or change remaining credits:

## CHANGING THE NUMBER OF CREDITS REMAINING

Use these steps to increase or decrease the number of CREDITS REMAINING on the phonograph.

1. Enter the SERVICE mode by setting the SERVICE switch to the SERVICE position.
2. Type 84 and then type the number of CREDITS REMAINING that you want. Press POPULAR to complete the change.



The remainder of Section 2 explains the Service Mode and other programmable features of the CD-100A

## Entering The Service Mode

Menus can only be used while the phonograph is in the SERVICE mode. To enter the SERVICE mode, open the top door and place the SERVICE switch (*figure 2-5*) in the SERVICE position.

When the phonograph is placed into the SERVICE mode, the message \* SERVICE MODE \* appears on the digital display (*see figure 1-1 if you are not familiar with the keyboard or display*).

Occasionally, the message that first appears will say - ERRORS EXIST -. This is just an indication that an error has been logged. Pushing the POPULAR key will return the \* SERVICE MODE \* message.



### NOTE:

The phonograph's display can display a maximum of 16 characters at a time. SERVICE mode commands and messages are abbreviated to fit the 16-character space.

## Viewing Menus

To view a menu option, hold down the RESET button and press either the 0 digit or the 1 digit. The 1 digit will move you down one item and the 0 will move you up one item. This method of viewing menu options will allow you to view your options in any menu (or submenu). Refer to *figure 2-11, the Service Mode Map*, and note that an arrow following the command indicates that a submenu exists. Press the POPULAR key to enter a submenu. Hold the RESET key and press the POPULAR key to exit a submenu.

### IF YOU "GET LOST" IN THE MENUS

Since the menu mode of pricing and programming does not require you to use any reference material, you may (occasionally) find that you have ventured down the wrong menu and that you don't know what option is next. Don't panic . . . you can find your way:

1. Press and hold down RESET and then press 0 until you come to the top of current menu.
2. If this menu name doesn't help, Press and hold RESET and then press POPULAR. This will move you to the top of the previous menu. In most cases, this will return you to the main menu ( \* SERVICE MODE \* ).
3. If you still cannot determine where you are, press and hold RESET and then press POPULAR again. Repeat this step until you get to the main menu ( \* SERVICE MODE \* ).

## Using CD-100A Commands

CD-100A Commands are formed by combining the numbers that appear on the left side of the menus that appear in *figure 2-11*. To construct and use CD-100A commands, you need to refer to *figure 2-11* or *table 2-4*.

**As An Example:** You want to view the number of cycles that the CD mechanism has made. Using *figure 2-7*, you determine that you need to select AUDITS (1), on the main menu; NON-RESETTABLES (2), on the AUDIT menu; and MECH (7), on the NON-RESETTABLES menu. Use the digits to form a numeric command, which is 127. Type 127 and The number of mechanism cycles is displayed.



## NOTE:

To use the command mode effectively, you should return to the main menu after each command is completed. Do this by holding RESET down and pressing POPULAR until the words \*SERVICE MODE\* appear on the digital display.

## Combining Menu And Command Modes

The most efficient way to set pricing and change programming is to use a combination of the menu mode and the command mode to move through the menus. To do this, use the command mode to get you to the command you want to use, execute the command, and use the menu mode to go to your next selection.

NOTE: A line beginning with an + is the title of a page. A line ending with -> indicates another page exists.

Ver 2.2a

* SERVICE MODE *	
0	SECURITY ->
1	AUDITS ->
2	ATTRACT ->
3	INITIALIZE ->
4	AUTOPLAY ->
5	PRICING ->
6	OPTIONS ->
7	REPORTS ->
8	STATUS ->
9	RF REMOTE ->

KEY FUNCTIONS  
 RESET+0 -> Move up 1 line  
 RESET+1 -> Move down 1 line  
 RESET+2 -> Move left, decrement  
 RESET+3 -> Move right, increment  
 RESET+4 -> Delete  
 RESET+5 -> Insert  
 RESET+7 -> Negate  
 RESET+B -> Copy  
 RESET+9 -> Toggle/Next  
 RESET+POPULAR -> Escape/Backup  
 POPULAR -> Enter

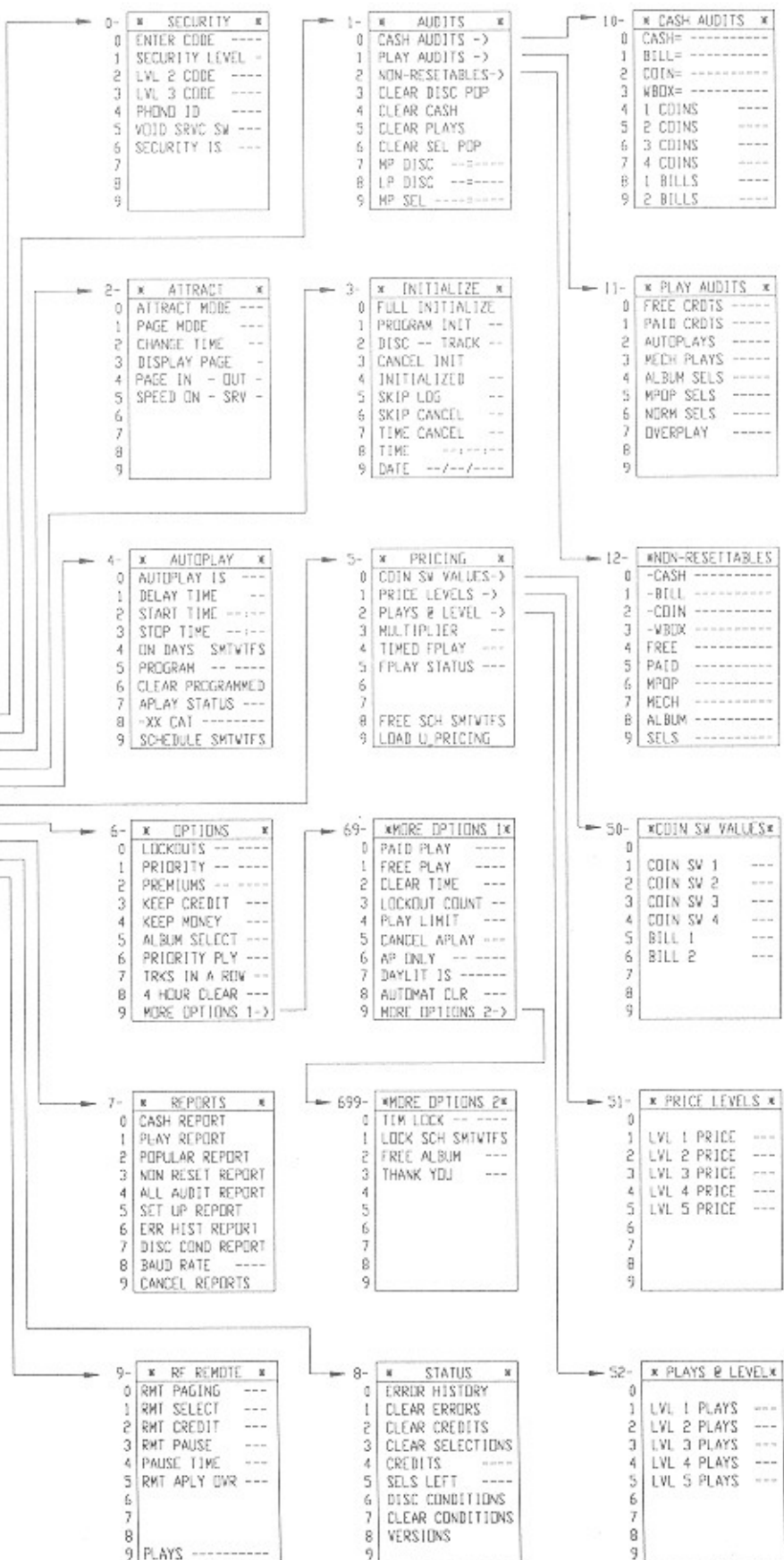


Figure 2-11. Service Mode Map



## Service Mode Menu

The SERVICE MODE menu (referred to as the "MAIN menu") is the starting point for all service, pricing, and programming functions. This menu contains the general title for each submenu. Some of the submenus contain commands only. Other submenus contain both commands and further submenu names. Refer to *figure 2-11*, the *CD-100A Service Mode Map*, for an illustration of the following menu descriptions:

## Security Menu

This menu contains all of the command options that must be executed to display or change a phonograph security code or enter a security level. This menu also contains a command to change the phonograph ID.

The last SECURITY option, the VOID SERVICE SWITCH option, allows you to completely close the phonograph door (which places the SERVICE switch in the NORMAL position) and remain in the SERVICE mode.

To enter this menu from the MAIN menu: Type 0.

## Audits Menu

The AUDITS menu allows you to display and clear the various cash, play, and popularity totals that are routinely reset when money is collected.

To enter this menu from the MAIN menu: Type 1.

## Attract Mode Menu

Attract mode is designed to draw attention to customers by moving the selection pages.

To enter this menu from the MAIN menu: Type 2.

## Initialize Menu

This menu controls the type of CD initialization that is to be done whenever a disc is changed or moved to a new disc number. This menu must be used to identify empty CD mechanism slots.

This menu also contains options to change the phonograph's time and date.



### NOTE:

The phonograph will automatically adjust the disc limits whenever a disc is played. This form of initialization is not recommended as a substitute for the selections in this menu.

To enter this menu from the MAIN menu: Type 3.

## Autoplay

Autoplay is the function that plays CD's when no customers have made selections. Autoplay can be used to stimulate play or provide background music. This feature can be scheduled and customized from the Autoplay menu.

To enter this menu from the MAIN menu: Type 4.

## Pricing Menu

This menu allows you to change the pricing structure, select FREE PLAY, or return to the factory (default) pricing.

To enter this menu from the MAIN menu: Type 5.

## Options Menu

This menu is a collection of disc selection options that allow you to:

- Prevent playing a track (Lockout)
- Give certain tracks priority play
- Charge a double price for certain selections
- Retain credits during a power failure
- Retain the current money total during a power failure
- ✕ • Buy an entire album
- ✕ • Limit the number of tracks that can be played from a disc before another disc is allowed to play.
- Retain or erase selections waiting to play if power is off for a significant interval of time, such as overnight (internally programmable from 30 to 999 minutes).

To enter this menu from the MAIN menu: Type 6.

## More Options 1 Menu

This menu is a collection of options that allows you to:

- Select FIFO or random playback of selections
- Automatically lockout defective discs (Lockout Count)
- Cancel Autoplay when a paid selection is made.
- Use certain discs for Autoplay only (locked out from the keyboard)
- Automatic or manual Daylight savings time correction

## More Options 2 Menu

This menu allows you to:

- Use timed lockouts
- Enable or disable the "Thank You" message
- Enable or disable album buys in FREE PLAY mode.

## Reports Menu (Optional)

The REPORTS options allow you to connect a printer or a personal computer to the RS-232 connector on the CCC. This information is the same information that can be displayed on the keyboard display, except that it has been arranged in a simple report format that can be printed or stored on a disk or diskette.

To enter this menu from the MAIN menu: Type 7.

## Status Menu

This menu allows you to display and clear the various phonograph error messages, clear and set credits, clear selections, and display and clear disc condition messages, and display software versions.

To enter this menu from the MAIN menu: Type 8.

## HOW TO MAKE PROGRAMMING CHANGES

The CD-100A Phonograph allows you to perform programming activities in two ways.

The primary or MENU mode uses menus to move through the choices until you find the desired function. This method of selecting the function that you want is more time consuming than the COMMAND mode, but does not require you to remember any commands.

The Command mode uses two and three digit commands to tell the phonograph what function you want to perform. The command mode requires you to know exactly what command you want because you will go straight to the function that you have requested: You will not receive any intermediate prompts (as you would in the menu mode).

### Keyboard Controls

The POPULAR and RESET buttons on the selector keyboard (*see figure 1-1 if you are not familiar with the selector keyboard or digital display*) are used to tell the phonograph how to use the digits that you are about to enter. *Table 2-3* describes the results of using these buttons.

Table 2-3. Keyboard Controls

Keys Pressed	Results
POPULAR	Completes a transaction
RESET+0 (hold RESET down)	Moves you up one item in a menu
RESET+1 (hold RESET down)	Moves you down one item in a menu
RESET+2 (hold RESET down)	Moves you left, or decrements
RESET+3 (hold RESET down)	Moves you right, or increments
RESET+4 (hold RESET down)	Removes an entry (such as a programmed Autoplay entry) from the list.
RESET+5 (hold RESET down)	Makes a space in a list (such as programmed Autoplay) so that new information can be inserted
RESET+9 (hold RESET down)	Toggles between two possible selections.
RESET+POPULAR (hold RESET down)	Cancels the current activity or moves you back to the previous menu title.

## Security Levels

The CD-100A uses security levels to protect audit and programmable information.

- Level 1 lets you view all of the phonograph information, except the security codes, but does not allow you to change any of the information.
- Level 2 lets you review all of the information, except the security codes, and clear the audit information.
- Level 3 lets you view, clear, or change any information.

## Factory Security Level

The phonograph is shipped from the factory with SECURITY OPTION (06) set to OFF.



### NOTE:

When the SECURITY OPTION (06) is set to OFF, Security Level 3 is automatically established whenever the phonograph is in the SERVICE MODE.

If you set Security ON, Level 1 is established whenever the phonograph is put in the SERVICE MODE, and you must enter the proper four digit security code to change to Level 2 or Level 3.



### NOTE:

You should leave the SECURITY option OFF, unless you need security to prevent tampering with your music programming, pricing, or phonograph options.

Table 2-4, which follows, describes the commands and how to make programming changes.

Table 2-4. Menu &amp; Command Descriptions

Code	Description
* SERVICE MODE *	- Is the title of the MAIN menu. This menu is the beginning menu for all the other menus. All of the options in this menu are names for other menus. The table that follows contains descriptions of all of the menu options. Enter two, three, or four digit commands from the * SERVICE * MODE display.
0	<b>SECURITY</b> - Contains options to access and change the security levels and to change the phonograph I.D. All security code changes must be made from Security Level 3.
00	<b>Enter Code</b> - Allows you to enter a security code. If the security code that you enter matches either the Level 2 or Level 3 Security Code, the phonograph will go to that security level after you press POPULAR. If both Security Level 2 and Level 3 have the same code (the factory-set code for both levels is 0000), then Level 3 is allowed. When the new security level is attained, the phonograph will automatically go to Command 01, and display the new security level.
01	<b>Security Level</b> - Displays the current security level. This command can be used at any time to determine the security level. The phonograph automatically moves to this option and displays the new security level after you successfully enter a security code (see command 00).
02	<b>Level 2 Security Code</b> - Displays the Level 2 Security Code and allows the security code to be changed by entering new data, then pressing POPULAR. The phonograph must be in Security Level 3 for either of these selections to function. Write the new security code down and keep it in a safe, but accessible place. No one will be able to access Level 2 if the SECURITY OPTION 06 is turned ON and you lose the security code.  This security level is intended to be used by the route man, so that he can read cash totals, reset cash totals, and initialize the phonograph. The Route man cannot change pricing or programming.
03	<b>Level 3 Security Code</b> - Displays the Level 3 Security Code and allows the security code to be changed by entering new data, then pressing POPULAR. The phonograph must be in Security Level 3 before this code can be displayed or changed. Write the new security code down and keep it in a safe, but accessible place. No one will be able to access Level 3 or change the security code if SECURITY OPTION 06 is turned ON and you lose the security code.
04	<b>Phonograph I.D.</b> - Displays the current phonograph I.D. code and allows the I.D. to be changed by entering new data, then pressing POPULAR. The phonograph must be in Security Level 3 before the I.D. can be changed. It may be viewed in Security Level 1.
05	<b>Void Service Switch</b> - Allows the top door of the phonograph to be closed (which normally places the SERVICE switch back into the NORMAL mode) and still remain in the SERVICE mode. Press and hold RESET. Press 9 to toggle the option ON and OFF. Press POPULAR to save the change. This option must be OFF to resume normal operation.

Table 2-4. Menu & Command Descriptions  
Continued

Code	Description
06	<p><b>Security On/Off</b> - If set to OFF, Security Level 3 is automatically established when entering the SERVICE MODE.</p> <p>When security is set to ON, Level 1 is established when SERVICE MODE is entered and the proper four digit security code must be entered to access Security Level 2 or 3.</p> <p>Leave security OFF, unless you need security to prevent tampering. Hold RESET and press 9 to select ON or OFF. Press POPULAR to save your choice.</p> <p>Security can be turned ON from any security level, but it can only be turned OFF in Security Level 3.</p>
07-08	Are not used
1	<p><b>AUDITS</b> - Are the functions and menus that allow you to display and reset the various accumulated figures for money, popularity, number of plays, and credits.</p>
10	<p><b>Cash Audits</b> - Is the menu that allows you to display, but not change, cash totals, number of coins through the coin switches, and the total number of bills.</p>
11	<p><b>Play Audits</b> - Is the menu that allows you to display, but not change, credits, autoplays, mechanism plays, and album plays.</p>
12	<p><b>Non-resettables</b> - Is the menu that allows you to display the ongoing totals. These totals cannot be reset from any security level.</p>
13	<p><b>Clear Disc Popularity</b> - Clears the popularity for all discs. This option should only be used after the popularity figures (Selections 7, and 8 in this menu) have been read and recorded. Press POPULAR to perform this function. The display will blink when the command is executed.</p>
14	<p><b>Clear Cash</b> - Clears all current cash totals. This option should only be used after the figures for Cash Audits (Selection 0 in this menu) have been read and recorded. Press POPULAR to perform this function. The display will blink when the command is executed.</p>
15	<p><b>Clear Plays</b> - Clears all current play totals. This option should only be used after the Play Audit figures in Play Audits (Selection 1 in this menu) have been read and recorded. Press POPULAR to perform this function. The display will blink when the command is executed.</p>
16	<p><b>Clear Selection Popularity</b> - Clears all current selection popularity. This option should only be used after Popularity Figures (Selection 9 in this menu) have been read and recorded. Press POPULAR to perform this function. The display will blink when the command is executed.</p>
17	<p><b>Display The Most Popular Disc</b> - Displays the most popular disc number (00-99), followed by the number of plays (9999 maximum) that disc had. To display the next "Most Popular" disc, press and hold RESET and then press 3. Press and hold RESET and then press 3 to display each successive most popular disc. Press and hold RESET and then press 2 to move up through the popularity display toward the most popular disc.</p> <p>You can request the popularity for a particular disc by pressing the disc number.</p>



Table 2-4. Menu & Command Descriptions  
Continued

Code	Description
18	<p><b>Display The Least Popular Disc</b> - Displays the least popular disc number (00-99) followed by the number of plays that the disc had. To display the next "Least Popular" disc, press and hold RESET and then press 2. Press and hold RESET and then press 2 to display each successive least popular disc. Press and hold RESET and then press 3 to move up through the popularity display toward the least popular disc.</p> <p>You can request the popularity for a particular disc by pressing the disc number.</p>
19	<p><b>Display The Most Popular Selection</b> - Displays the most popular selection number (Disc 00-99 followed by Selection 00-99, a total of four digits), followed by the number of plays (9999 maximum) that selection had. To display the next "Most Popular" selection, press and hold RESET and then press 3. Press and hold RESET and then press 3 to display each successive most popular selection. Press and hold RESET and then press 2 to move up through the popularity display toward the most popular selection. A total of 100 selection numbers may be contained in the MOST POPULAR list.</p> <p>You can request the popularity for a particular selection by pressing the selection number (four digits).</p>
10	<p><b>CASH AUDITS</b> - Allows you to display, but not change, cash totals, number of coins through the coin switches, and the total number of bills.</p>
100	<p><b>Current Cash</b> - Displays the total amount of bill and coin money collected since the last time the CLEAR CASH command (Selection 4 in the AUDITS menu) was used.</p>
101	<p><b>Current Bill</b> - Displays the total amount of bill money collected since the last time the CLEAR CASH command (Selection 4 in the AUDITS menu) was used.</p>
102	<p><b>Current Coin</b> - Displays the total amount of coin money collected since the last time the CLEAR CASH command (Selection 4 in the AUDITS menu) was used.</p>
103	<p><b>Current Wallbox</b> - Displays the total amount of money collected by wallboxes since the last time the CLEAR CASH command (Selection 4 in the AUDITS menu) was used.</p>
104	<p><b>Current Number Of Type 1 Coins</b> - Displays the total number of Type 1 coins (5¢) collected since the last time the CLEAR CASH command (Selection 4 in the AUDITS menu) was used.</p>
105	<p><b>Current Number Of Type 2 Coins</b> - Displays the total number of Type 2 coins (10¢) collected since the last time the CLEAR CASH command (Selection 4 in the AUDITS menu) was used.</p>
106	<p><b>Current Number Of Type 3 Coins</b> - Displays the total number of Type 3 coins (25¢) collected since the last time the CLEAR CASH command (Selection 4 in the AUDITS menu) was used.</p>
107	<p><b>Current Number Of Type 4 Coins</b> - Displays the total number of Type 4 coins (50¢) collected since the last time the CLEAR CASH command (Selection 4 in the AUDITS menu) was used.</p>
108	<p><b>Number Of Type 1 Bills</b> - Displays the total number of Type 1 bills (\$1) collected since the last time the CLEAR CASH command (Selection 4 in the AUDITS menu) was used.</p>

**Table 2-4. Menu & Command Descriptions**  
*Continued*

Code	Description
109	<b>Number Of Type 2 Bills</b> - Displays the total number of Type 2 bills (\$5) collected since the last time the CLEAR CASH command (Selection 4 in the AUDITS menu) was used.
11	<b>PLAY AUDITS</b> - Allows you to display, but not change, credits, autoplays, mechanism plays, and album plays.
110	<b>Free Credits</b> - Displays the number of free credits given since the last time the CLEAR PLAYS command (Selection 5 in the AUDITS menu) was used.
111	<b>Paid Credits</b> - Displays the number of paid credits given since the last time the CLEAR PLAYS command (Selection 5 in the AUDITS menu) was used.
112	<b>Autoplays</b> - Displays the number of Autoplays made since the last time the CLEAR PLAYS command (Selection 5 in the AUDITS menu) was used.
113	<b>Mechanism Plays</b> - Displays the number of times the mechanism has played CD's since the last time the CLEAR PLAYS command (Selection 5 in the AUDITS menu) was used.
114	<b>Album Buys</b> - Displays the number of times albums have been bought since the last time the CLEAR PLAYS command (Selection 5 in the AUDITS menu) was used.
115	<b>Most Popular plays</b> - Displays the number of times that the POPULAR button was used to select the most popular selection since the last time the CLEAR PLAYS command (selection 5 in the AUDITS menu) was used.
116	<b>Normal Selections</b> - Displays the number of selections made from the keyboard.
117	<b>Overlay Counter</b> - Displays the number of overplays selected since the last time the CLEAR PLAYS command (Selection 5 in the AUDITS menu) was used.
	The overlay counter is part of the CCC's memory, which keeps track of how many duplicate selections were made. A selection is considered to be a duplicate if it has been entered, but the CCC has not sent the selection number to the CD mechanism controller.
12	<b>NON-RESETTABLES</b> - These totals for cash, plays, and credits can be displayed from any security level, but they cannot be reset from any security level. These totals constitute the permanent phonograph history.
120	<b>Cash</b> - Displays total cash (bill and coin) received by the phonograph.
121	<b>Bill</b> - Displays total bill cash received by the bill acceptor.
122	<b>Coin</b> - Displays total coin cash received by the coin acceptor.
123	<b>Wallbox</b> - Displays total cash received by all wallboxes.
124	<b>Free</b> - Displays total free credits.
125	<b>Paid</b> - Displays total paid for credits.

**Table 2-4. Menu & Command Descriptions**  
*Continued*

Code	Description
126	<b>Most Popular</b> - Displays the total number of Most Popular selections made with the POPULAR button.
127	<b>Mechanism</b> - Displays the total number of mechanism cycles.
128	<b>Album</b> - Display total album buys.
129	<b>Selections</b> - Displays the total number of selections made using the keyboard.
2	<b>ATTRACT</b> - This menu sets ATTRACT MODE ON or OFF and defines the ATTRACT MODE's characteristics.
20	<b>Attract Mode</b> - Displays and toggles the ATTRACT MODE. Hold RESET while pushing 9 to toggle ON or OFF. Press POPULAR to save the change.
21	<b>Page Mode</b> - Displays and toggles the automatic page selection mode. Hold RESET while pushing 9 to toggle OFF, CHANGE or AD. Press POPULAR to save the change.  If OFF, the automatic page change selection is disabled.  If CHANGE, a page will flip when the CHANGE TIME INTERVAL (22) elapses and the phonograph is in standby.  If AD, the page mechanism will park at the DISPLAY PAGE (23) location when the CHANGE TIME INTERVAL elapses and the phonograph is in standby.
22	<b>Change Time</b> - Displays and sets the time interval for page changes (10 minutes minimum) in minutes. Type in the new time in minutes then press POPULAR.
23	<b>Display Page</b> - Page to be displayed in the AD mode. Type in the new page number then press POPULAR.
24	<b>Title Page Number Control</b> - Controls the first and last page that can be selected from the keyboard. Type the low page number for IN then press POPULAR. Type the high page number for OUT then press POPULAR Again.
25	<b>Title Page Speed Control</b> - Controls the speed that the title pages will change. The ON value is the speed that the pages will turn while the phonograph is in the NORMAL mode, and the SRV value is the speed that the pages will turn in the SERVICE mode. The allowable selections are 1-9, but only Selections 3 through 8 are true speed changes. Type the new speed number for ON then press POPULAR. Type the new speed number for SRV then press POPULAR again.
26	-----
27	-----
28	-----
29	-----

Table 2-4. Menu & Command Descriptions  
Continued

Code	Description
3	<b>INITIALIZE</b> - This menu establishes the CD track numbers and saves them.
30	<b>Full Initialize</b> - Starts full mechanism initialization. Press POPULAR to select and note that the display will blink when this command is executed. All disc limits are set to 99, then as each disc is scanned, new limits are automatically entered into memory. Initialization begins when the SERVICE switch is moved to the NORMAL position. Full initialization takes about 30 minutes. During this time, selections can be played, but initialization will not continue until the phonograph is scanned out.
31	<b>Program Initialize</b> - Initializes specific discs automatically. Type the disc number to be initialized then press POPULAR. Type disc numbers until all disc numbers that need initializing have been entered. Initialization will begin when the service switch is moved back to the NORMAL position.
32	<b>Disc Initialize and Track Limits</b> - Allows you to view and change disc limits manually. To view disc limits, type the disc number. Press and hold RESET then press 3 (next disc) or 2 (previous disc) to view the next or previous disc limits. To a change a disc's limits, display the limits then press POPULAR. Type the new limits, then press POPULAR.
33	<b>Cancel Initialization</b> - Cancels initializations that have been started with either of the previous options (30 or 31). Press POPULAR to perform this function. The display will blink when the command is executed.
34	<b>Initialized</b> - Displays the number of discs that have been initialized.
35	<b>Number Of Skips Before Log</b> - Allows logging disc conditions without cancelling selections. Type the new number, then press POPULAR. See <i>Disc Conditions in Section 5</i> for a detailed explanation of the Skip Log.
36	<b>Skip Cancel</b> - Determines the maximum number of times that a CD may skip while playing before it is automatically cancelled. Type the new number then press POPULAR. See <i>Disc Conditions in Section 5</i> for a detailed explanation of SKIP CANCEL.
37	<b>Time Cancel</b> - Determines the maximum time that a CD may skip before it is automatically cancelled. Type the new number then press POPULAR. See <i>Disc Conditions in Section 5</i> for a detailed explanation of TIME CANCEL.
38	<b>Time HH:MM:--</b> - Displays and sets the time-of-day. Hours and minutes can be entered, seconds will begin automatically at "00" (midnight) and count to 23:59, which is the 24-hour clock, or "military time". Type the new hours and press POPULAR. Type the new minutes and then press POPULAR.
	<b>24-Hour Clock times:</b>
	The 24-hour clock starts at 00:00 (midnight) and continues to increase after 12:59 pm. Where standard time would go to 1:00, the 24-hour clock goes to 13:00. To convert the 24-hour clock to standard time, subtract 12 from any time that has hours greater than 12 (13:00 - 12 = 1:00). In the same way, 23:59 (23 - 12 = 11) is 11:59 pm.
	Standard Time: Add 12 to any standard time past 1:00 pm to get the equivalent 24-hour time.
39	<b>Date MM/DD/YYYY</b> - Displays and sets the date. Any date from the year 1980 to 2087 is allowed.

Table 2-4. Menu & Command Descriptions  
Continued

Code	Description															
4	<p><b>AUTOPLAY</b> - This menu sets AUTOPLAY ON or OFF and defines the Autoplay characteristics.</p> <p>If AUTOPLAY IS (COMMAND 40) has been set to STD, then COMMANDS 40 through 47 in this table apply.</p> <p>If AUTOPLAY IS (COMMAND 40) has been set to ENH, then COMMANDS 40 through 49 apply and you should read about how to used these commands in the <i>Enhanced Autoplay Tutorial</i> that appears at the end of this section.</p>															
40	<p><b>Autoplay Is</b> - Displays and sets the AUTOPLAY style to either STANDARD, ENHANCED, or OFF. Press and hold RESET and then press 9 to toggle between the three options and press POPULAR to select the option that you want.</p>															
41	<p><b>Delay Time</b> - Displays and sets the time between Autoplay selections. Type the number in minutes then press POPULAR. This command is used only in STANDARD Autoplay. Set TIME DELAY to 00 for continuous Autoplay (as for background music).</p>															
42	<p><b>Start Time</b> - Sets the time-of-day that Autoplay is allowed to begin making Autoplay selections. Enter the time in 24-hour format (see the table that follows Stop Time). Type the hour then press POPULAR. Type the minute then press POPULAR. Both the hour and minute must be changed together.</p>															
43	<p><b>Stop Time</b> - Sets the time-of-day that Autoplay will no longer be allowed to make selections. If you are not familiar with 24-hour time keeping, use the following table to help you figure the 24-hour time.</p> <p>Midnight Is entered as 00:00 and the clock just keeps on ticking! 12:59 pm (after noon) is the same, but:</p> <p>1:00 pm Is entered as 13:00, and all succeeding times are entered as 12 + the hour:</p> <table data-bbox="445 1264 1448 1406"> <tbody> <tr> <td>12:59 pm = 12:59</td> <td>5:00 pm = 17:00</td> <td>10:00 pm = 22:00</td> </tr> <tr> <td>1:00 pm = 13:00</td> <td>6:00 pm = 18:00</td> <td>11:00 pm = 23:00</td> </tr> <tr> <td>2:00 pm = 14:00</td> <td>7:00 pm = 19:00</td> <td>12:00 am = 00:00</td> </tr> <tr> <td>3:00 pm = 15:00</td> <td>8:00 pm = 20:00</td> <td></td> </tr> <tr> <td>4:00 pm = 16:00</td> <td>9:00 pm = 21:00</td> <td></td> </tr> </tbody> </table>	12:59 pm = 12:59	5:00 pm = 17:00	10:00 pm = 22:00	1:00 pm = 13:00	6:00 pm = 18:00	11:00 pm = 23:00	2:00 pm = 14:00	7:00 pm = 19:00	12:00 am = 00:00	3:00 pm = 15:00	8:00 pm = 20:00		4:00 pm = 16:00	9:00 pm = 21:00	
12:59 pm = 12:59	5:00 pm = 17:00	10:00 pm = 22:00														
1:00 pm = 13:00	6:00 pm = 18:00	11:00 pm = 23:00														
2:00 pm = 14:00	7:00 pm = 19:00	12:00 am = 00:00														
3:00 pm = 15:00	8:00 pm = 20:00															
4:00 pm = 16:00	9:00 pm = 21:00															
44	<p><b>On Days SMTWTFs</b> - Allows you to select the days of the week that Autoplay can make selections. Press and hold RESET then press either 2 or 3 to move from day to day. The day currently selected will blink. Hold RESET and then press 9 to turn the day ON or OFF. Press POPULAR to save any changes.</p>															
45	<p><b>Programmed</b> - Displays and changes the individual selection numbers that will be played. This mode allows you have Autoplay play specific selections or discs. A maximum of 100 selections or discs can be programmed. On the menu, the two-digit number is the play sequence number and the four-digit number is the selection number.</p> <p>If no programmed selections are made, the Autoplay function will select a random disc and a random track each time Autoplay makes a selection. If one or more selections are programmed, the programmed selections will be selected. A disc number followed by two zeros can be programmed. If you request disc 6300, for example, then Disc 63 will be programmed and a random track will be played from that disc (see <i>Programming Autoplay, Premiums, Priorities, and Lockouts</i>).</p>															



**Table 2-4. Menu & Command Descriptions**  
*Continued*

Code	Description
46	<b>Clear Programmed Mode</b> - Clears all programmed selections entered in COMMAND 45. Press POPULAR to perform this function. The display will blink when the command is executed.
47	<b>Autoplay Status</b> - Allows you to change the AUTOPLAY STATUS immediately, without waiting for the START or STOP time of day. Hold RESET then press 9 to toggle the status ON or OFF. Press POPULAR to save the changes.
48	<b>XX Cat</b> - Assigns categories to discs in Enhanced Autoplay.
49	<b>Schedule SMTWTFS</b> - The active days, time(s), categories, and delay(s) between Autoplay selections in Enhanced Autoplay.
5	<b>PRICING</b> - This menu allows the operator to change CD pricing, coin switch values, credit levels, credit values, credit multiplier, and Free Play value
50	<b>COIN SWITCH VALUES:</b> - Is a menu that displays and sets various coin switch values.
500	-----
501	<b>Coin SW1 = XX</b> - Displays and sets the #1 COIN SWITCH VALUE. Type the new value and then press POPULAR.
502	<b>Coin SW2 = XX</b> - Displays and sets the #2 COIN SWITCH VALUE. Type the new value and then press POPULAR.
503	<b>Coin SW3 = XX</b> - Displays and sets the #3 COIN SWITCH VALUE. Type the new value and then press POPULAR.
504	<b>Coin SW4 = XX</b> - Displays and sets the #4 COIN SWITCH VALUE. Type the new value and then press POPULAR.
505	<b>Bill 1 = XX</b> - Displays and sets the #1 BILL VALUE. Type the new value and then press POPULAR.
506	<b>Bill 2 = XX</b> - Displays and sets the #2 BILL VALUE. Type the new value and then press POPULAR.
507	-----
508	-----
509	-----
51	<b>PRICE LEVELS:</b> - Is a menu that displays various credit levels.
510	-----
511	<b>LVL1 Price = XX</b> - Displays and sets the price of the 1st credit level. Type the new value and then press POPULAR.
512	<b>LVL2 Price = XX</b> - Displays and sets the price of the 2nd credit level. Type the new value and then press POPULAR.

**Table 2-4. Menu & Command Descriptions**  
*Continued*

Code	Description
513	<b>LVL3 Price = XX</b> - Displays and sets the price of the 3rd credit level. Type the new value and then press POPULAR.
514	<b>LVL4 Price = XX</b> - Displays and sets the price of the 4th credit level. Type the new value and then press POPULAR.
515	<b>LVL5 Price = XX</b> - Displays and sets the price of the 5th credit level. Type the new value and then press POPULAR.
516	-----
517	-----
518	-----
519	-----
52	<b>PLAYS @ LEVEL:</b> - Is a menu that displays and edits credit values.
520	-----
521	<b>LVL1 Plays = xx</b> - Displays and sets the number of plays given for this credit level. Type the new value and then press POPULAR.
522	<b>LVL2 Plays = xx</b> - Displays and sets the number of plays given for this credit level. Type the new value and then press POPULAR.
523	<b>LVL3 Plays = xx</b> - Displays and sets the number of plays given for this credit level. Type the new value and then press POPULAR.
524	<b>LVL4 Plays = xx</b> - Displays and sets the number of plays given for this credit level. Type the new value and then press POPULAR.
525	<b>LVL5 Plays = xx</b> - Displays and sets the number of plays given for this credit level. Type the new value and then press POPULAR.
526	-----
527	-----
528	-----
529	-----
53	<b>Multiplier</b> - Displays and sets the coin multiplier value. For the U.S., this value is 5 (nickel). Type the new number then press POPULAR.
54	<b>Timed Free Play</b> - Turns ON or turns OFF the timed free play schedule. Hold RESET then press 9 to toggle ON or OFF. Press POPULAR to save the change ( <i>see the Timed Free Play Example</i> in this section).
55	<b>Free Play Status</b> - Allows you to turn free play ON or OFF immediately without waiting for the start or stop time. Hold RESET then press 9 to toggle ON or OFF. Press POPULAR to save the change.
56	<b>NOT USED</b>

Table 2-4. Menu & Command Descriptions  
Continued

Code	Description
57	NOT USED
58	<b>FREE SCH SMTWTF5</b> - Allows you to select the days of the week and start and stop times for the Timed Free Play feature (see the <i>Timed Free Play and Timed Lockout Scheduling Tutorial</i> in this section).
59	<b>Load US/UK Pricing</b> - Loads the factory (default) settings for all pricing. Hold RESET, then press 9 to toggle between United States (US) and United Kingdom (UK) pricing. The display will blink when the command is executed.
6	<b>OPTIONS</b> - Displays and allows you to change the phonograph's miscellaneous options.
60	<b>Lockouts</b> - Displays and selects lockout selections or discs (25 maximum). These selections are not allowed to be selected by the customer or AUTOPLAY (see <i>Programming Autoplay, Premiums, Priorities, and Lockouts</i> ). If a locked-out selection is attempted, the words "Not Allowed" will momentarily appear on the display.
61	<b>Priorities</b> - Displays and sets priority selections (10 maximum). When these selections are made by the customer, they will be inserted at the top of the play list and they will be played next (see <i>Programming Autoplay, Premiums, Priorities, and Lockouts</i> ).
62	<b>Premiums</b> - Displays and sets premium selections. These selections (25 maximum) will be priced at twice the regular price (see <i>Programming Autoplay, Premiums, Priorities, and Lockouts</i> ).
63	<b>Keep Credit</b> - Displays and toggles the KEEP CREDIT option ON or OFF to allow retaining or cancelling credit upon Power up. Hold RESET and press 9 to toggle ON or OFF. Press POPULAR to save the changes.
64	<b>Keep Money</b> - Displays and toggles the KEEP MONEY option ON or OFF to allow retaining or cancelling money on power up. Hold RESET and press 9 to toggle ON or OFF. Press POPULAR to save the change.
65	<b>Album Buy</b> - Displays and toggles the ALBUM BUY option ON and OFF so that entire albums can be selected. Hold RESET and press 9 to toggle ON or OFF. Press POPULAR to save the change.
66	<b>Priority Play</b> - Displays and toggles PRIORITY PLAY from ON to OFF. When PRIORITY PLAY is ON, priority plays will be allowed. When PRIORITY PLAY is OFF, this feature is disabled. Hold RESET and press 9 to toggle ON or OFF. Press POPULAR to save the change.
67	<b>Tracks In A Row</b> - Displays and sets the maximum number of tracks (sequential selections) that can be played from one disc. Type the new number then press POPULAR.



Table 2-4. Menu & Command Descriptions  
Continued

Code	Description
68	<b>4-Hour Clear</b> - Displays and toggles the 4-Hour Clear option ON or OFF. When 4-Hour Clear is ON, all selections remaining to be played will be cleared (if the phonograph is turned OFF for more than 4 consecutive hours, or the number of minutes entered by COMMAND 692). When this option is OFF, selections to be played will remain in the phonograph's memory and they will play when the phonograph is turned back ON. Hold RESET and press 9 to toggle this option ON or OFF. Press POPULAR to save the change.
69	<b>MORE OPTIONS 1</b> - The MORE OPTIONS 1 menu is a continuation of the OPTIONS menu.
690	<b>Paid Play</b> - Determines the play sequence for paid selections. This option toggles between random (RAND) and FIFO (First In First Out) sequences. Hold RESET and press 9 to toggle RAND or FIFO. Press POPULAR to save the change.
691	<b>Free Play</b> - Determines the play sequence for free selections. This option toggles between random (RAND) and FIFO (First In First Out) sequences. Hold RESET and press 9 to toggle RAND or FIFO. Press POPULAR to save the change.
692	<b>Clear Time</b> - Allows values from 30 to 999 minutes for the 4-HOUR CLEAR (68) TIME. The factory setting is 240 minutes. Type the new number, then press POPULAR.
693	<b>Lockout Count</b> - Adds the selection to the LOCKOUT LIST (60) when the DISC CONDITIONS NUMBER OF SKIP OCCURRENCES reaches the programmed value. To change the LOCKOUT COUNT, type the new number and then press POPULAR.
694	<b>Play Limit</b> - Sets a maximum time for a selection to play before it is cancelled. A 0 entry disables this feature. Valid times are from 60 to 999 seconds. If the optional volume control module is installed, the volume of the selection will fade before the selection is cancelled.
695	<b>Cancel Autoplay</b> - Cancels the autoplay selection when a paid selection is entered. When this feature is turned ON, the Autoplay selection will cancel within 15 seconds and the paid selection will play next. When this feature is turned OFF, the Autoplay selection will finish playing before the paid selection plays. The default for this feature is ON.
696	<b>Autoplay Only</b> - Stores the disc numbers for up to 25 discs. These disc numbers can be selected by Autoplay, but they cannot be selected by customers (see <i>programming Autoplays, premiums, priorities, and lockouts</i> ).
697	<b>Daylight Savings Time</b> - Automatically adjusts daylight saving time. STD moves the clock ahead one hour at 2:00 am on the first Sunday of April. This mode will, also, move the clock back one hour at 2:00 am on the last Sunday of October.  NONSTD lets you select which months and days of the month that daylight savings will be turned ON and OFF. Hold RESET and press 9 to select STD, NONSTD, or OFF. Press POPULAR to save your choice.  If you select NONSTD, the display shows DAYLIT ON - - / - -. Type two digits for the month code to turn daylight savings ON and then press POPULAR. Type the two digit day number (1 through 31). Note that the CCC will only accept the correct maximum number. Then press POPULAR.  Hold RESET, and then press 9 to change the display to show: DAYLIT OFF - - / - -.

Code 697 Continued on Next Page

Table 2-4. Menu & Command Descriptions  
Continued

Code	Description
<i>Code 697, Continued</i>	
	Type two digits for the month code to turn daylight savings OFF and then press POPULAR. Type the two digit day number (1 through 31). Note that the CCC will only accept the correct maximum number. Then press POPULAR.
698	<b>Automat Clr</b> - Clears audit data. If this command is set to ON, and the AUDIT START button has been used to start the report, then the audit data will be cleared when the printing stops and the phonograph is in NORMAL mode. Hold RESET and press 9 to toggle this command ON and OFF. Press POPULAR to save your choice.
699	<b>More Options 2</b> - This menu is a continuation of the OPTIONS menu.
6990	<b>Timlock</b> - Displays and sets timed lockout selections or discs (25 maximum). See <i>Programming Autoplay, Premiums, Priorities, and Lockouts</i> .
6991	<b>Locksch SMTWTF5</b> - Allows you to select the days of the week and the start and stop times for timed lockouts (see the <i>Timed Free Play And Timed Lockouts Scheduling Tutorial</i> ).
6992	<b>Free Album</b> - Allows entire albums to be selected if FREE PLAY (55) and ALBUM BUY (65) are ON. Hold RESET and press 9 to toggle this command ON and OFF. Press POPULAR to save your choice.
6993	<b>Thank You On/Off</b> - If set to ON, the "Thank You" message is briefly displayed when a customer completes his final selection (the credit goes to zero). Hold RESET and press 9 to toggle this command ON and OFF. Press POPULAR to save your choice.
7	<b>REPORTS</b> - The REPORTS menu provides an output to an RS-232 serial printer or computer with an RS-232 serial interface. To use this feature, the RS-232 Option must be installed in the phonograph.  To select and print the report, type the code for the report and press POPULAR. The display will blink when the command is executed.
70	<b>Cash Report</b> - Starts the Cash Report
71	<b>Play Report</b> - Starts the Play Report
72	<b>Popular Report</b> - Starts Popularity Report
73	<b>Non-Resetable Report</b> - Starts the report of all non-resetable numbers
74	<b>All Audit Report</b> - Starts all 4 audit reports
75	<b>Setup Report</b> - Starts the phonograph Setup Report
76	<b>Error History Report</b> - Starts the Accumulated Phonograph Errors Report
77	<b>Disc Condition Report</b> - Starts the Disc Condition Report
78	<b>Baud Rate</b> - Selects either 600, 1200, 2400, 4800, or 9600 baud for printing reports. Hold RESET and press 9 to toggle between 600, 1200, 2400, 4800, and 9600 baud. Press POPULAR to save the change.

Table 2-4. Menu & Command Descriptions  
Continued

Code	Description
79	<b>Cancel Reports</b> - Stops all report printing
8	<b>STATUS</b> - The STATUS menu defines credit and displays figures, which indicate the condition of the phonograph
80	<b>Error History</b> - Displays the error history of the phonograph ( <i>see Errors and Warnings in Section 5</i> )
81	<b>Clear Errors</b> - Clears all errors from the phonograph's error log. Press POPULAR to perform this function. The display will blink when this command is executed.
82	<b>Clear Credits</b> - Clears all current credit. Press POPULAR to perform this function. The display will blink when this command is executed.
83	<b>Clear Selections</b> - Clears all selections remaining to be played. Press POPULAR to perform this function. The display will blink when this command is executed.
84	<b>CREDITS</b> - Displays and changes the number of credits. Type the number of credits then press POPULAR.
85	<b>Selections Left</b> - Displays the current number of selections left to be played.
86	<b>Disc Conditions</b> - Displays the condition of discs played ( <i>see Disc Conditions under Errors And Warnings in Section 5</i> ).
87	<b>Clear Conditions</b> - Clears current conditions from the phonograph. Press POPULAR to perform this function. The display will blink when this command is executed.
88	<b>Display Software Versions</b> - Displays the current version number of phonograph modules. Hold RESET and press 3 to view the next device version number.
89	-----
9	<b>FM REMOTE</b> - The FM REMOTE menu activates and defines FM REMOTE options.
90	<b>Remote Page</b> - Allows paging from the remote if this feature is ON. Hold RESET and press 9 to toggle this command ON and OFF. Press POPULAR to save your choice.
91	<b>Remote Selections</b> - Displays and sets remote selections to ON, OFF, or CDT. If this command is set to ON, remote selections are always allowed. If this command is set to OFF, remote selections are not allowed at all. If this command is set to CDT, selections are allowed as long as REMOTE CREDIT (92) exceeds zero. Hold RESET, push 9 to select ON, OFF, or CDT. Press POPULAR to save.
92	<b>Remote Credit</b> - Displays and changes the number of remote credits. If RMT SELECT (91) is set to CDT, remote credits are decremented each time a remote selection is made. Type the number of credits, the press POPULAR.
93	<b>Remote Pause</b> - Allows the remote to pause the phonograph if this feature is set to ON. Hold RESET and press 9 to toggle this command ON and OFF. Press POPULAR to save your choice.

Table 2-4. Menu & Command Descriptions  
*Continued*

Code	Description
94	<b>Remote Pause Time</b> - Displays and sets the maximum number of minutes that the phonograph can be paused. Hold RESET and press 9 to toggle this command ON and OFF. Press POPULAR to save your choice.
95	<b>Remote Autoplay Override</b> - Allows the remote to turn Autoplay either ON or OFF if this feature is ON. Hold RESET and press 9 to toggle this command ON and OFF. Press POPULAR to save your choice.
96 - 98	<b>NOT USED</b>
99	<b>Remote Plays</b> - Displays the number of selections made from the remote.

Table 2-5. CD-100A Command Index

Function	Menu	Command
<b>Album</b>		
free - on/off	OPTIONS	6992
maximum tracks in a row	OPTIONS	67
Select - on/off	OPTIONS	65
<b>Attract mode</b>		
change time between page changes	ATTRACT	22
select a specific "AD" page	ATTRACT	23
set speed that title pages turn	ATTRACT	25
set title page number limits	ATTRACT	24
turn attract on/off	ATTRACT	20
turn auto page changes on/off	ATTRACT	21
<b>Audits</b>		
all audit	REPORTS	74
automatic clear	OPTIONS	698
cash	AUDITS	100-109
non-resettable	AUDITS	120-129
play	AUDITS	110-117
<b>Autoplay</b>		
clear programmed Autoplay	AUTOPLAY	46
cancel autoplay select early on/off	OPTIONS	695
display or change		
start time	AUTOPLAY	42
stop time	AUTOPLAY	43
days of the week	AUTOPLAY	44
enhanced categories	AUTOPLAY	48
enhanced schedules	AUTOPLAY	49
autoplay only discs	OPTIONS	696
select a specific disc and track	AUTOPLAY	45
autoplay status on/off	AUTOPLAY	47
time between Autoplays	AUTOPLAY	41
turn Autoplay on/off	AUTOPLAY	40
<b>Baud Rate</b>		
	REPORTS	78
<b>Bill values</b>		
	PRICING	505-506
<b>Cash</b>		
clear	AUDITS	14
keep credit after power failure on/off	OPTIONS	63
keep money after power failure on/off	OPTIONS	64
multiplier	PRICING	53
report	REPORTS	70

Table 2-5. CD-100A Command Index  
(Continued)

Function	Menu	Command
<b>Clear</b>		
cash	AUDITS	14
conditions	STATUS	87
credits	STATUS	82
disc popularity	AUDITS	13
errors	STATUS	81
plays	AUDITS	15
programmed autoplay selections	AUTOPLAY	46
selection popularity	AUDITS	16
selections	STATUS	83
<b>Coin switch values</b>	PRICING	501-504
<b>Credit</b>		
clear credits	STATUS	82
display or change credits	STATUS	84
free play - on/off	PRICING	55
keep credit after power failure on/off	OPTIONS	63
levels	PRICING	511-515
multiplier	PRICING	53
remaining	STATUS	84
selections remaining	STATUS	85
values	PRICING	521-525
<b>Date and time change</b>	INITIALIZE	39 and 38
<b>Daylight saving time settings</b>		
saving time OFF/STD/NONSTD	OPTIONS	697
saving time ON date (non standard only)	OPTIONS	697
saving time OFF date (non standard only)	OPTIONS	697
<b>Default pricing</b>	PRICING	59
<b>Disc</b>		
Autoplay	AUTOPLAY	40-47
clear conditions	STATUS	87
conditions	STATUS	86
conditions report	REPORTS	77
initialize	INITIALIZE	30-33
lockout count	OPTIONS	693
play limit	OPTIONS	694
<b>Errors</b>		
clear	STATUS	81
history		
report	REPORTS	76
status	STATUS	80
<b>Factory pricing</b>	PRICING	59

Table 2-5. CD-100A Command Index  
(Continued)

Function	Menu	Command
<b>Free play</b>		
Album	OPTIONS	6992
on days	PRICING	58
start time	PRICING	58
status on/off	PRICING	55
stop time	PRICING	58
timed on/off	PRICING	54
<b>Initialize</b>		
all discs (takes 30 minutes)	INITIALIZE	30
by disc number	INITIALIZE	31
cancel auto initialize	INITIALIZE	33
number of discs initialized	INITIALIZE	34
skip time (delay before cancel)	INITIALIZE	37
set track limit for a disc	INITIALIZE	32
skip count	INITIALIZE	36
skip log	INITIALIZE	35
<b>Lockouts</b>		
lockout (do not allow) a selection	OPTIONS	60
timed		
selections	OPTIONS	35
on days	OPTIONS	6991
start time	OPTIONS	6991
stop time	OPTIONS	6991
<b>Money</b>		
keep on/off	OPTIONS	64
clear	AUDITS	14
<b>Plays</b>		
audit	PLAY AUDITS	110-117
clear	AUDITS	15
paid play style (sequential or random)	OPTIONS	690
free play style (sequential or random)	OPTIONS	691
<b>Phonograph commands</b>		
clear		
selections after phonograph		
OFF 4-hours (on/off)	OPTIONS	68
selections after 4-hours OFF time	OPTIONS	692
credit	STATUS	82
errors	STATUS	81
display		
credit	STATUS	84
selections remaining	STATUS	85
ID change	SECURITY	04

Table 2-5. CD-100A Command Index  
(Continued)

Function	Menu	Command
<b>Popularity</b>		
disk		
clear	AUDITS	13
least popular	AUDITS	18
most popular	AUDITS	17
report	REPORTS	72
selection		
clear	AUDITS	16
most popular	AUDITS	19
<b>Pricing</b>		
bill values	PRICING	505-506
buy an album - on/off	OPTIONS	65
coin switch values	PRICING	501-504
price levels		
levels	PRICING	511-515
multiplier	PRICING	53
plays at price level	PRICING	521-525
premium plays (special pricing)	PRICING	62
use factory (default) pricing	PRICING	59
<b>Priorities</b>		
enable priority plays on/off	OPTIONS	66
maximum tracks to play in a row	OPTIONS	67
play a specific selection	OPTIONS	61
<b>Program with top door closed on/off</b>		
	SECURITY	05
<b>Remote</b>		
autoplay override on/off	REMOTE	95
credits	REMOTE	92
page on/off	REMOTE	90
pause on/off	REMOTE	94
plays	REMOTE	99
selections on/off	REMOTE	91
pause time	REMOTE	94
<b>Reports</b>		
all audit	REPORTS	74
cancel	REPORTS	79
cash	REPORTS	70
disc conditions	REPORTS	77
error history	REPORTS	76
non resettables	REPORTS	73
play	REPORTS	71
popular	REPORTS	72
set up	REPORTS	75
baud rate	REPORTS	78



Table 2-5. CD-100A Command Index  
(Continued)

Function	Menu	Command
<b>Security</b>		
enter security code	SECURITY	00
level display	SECURITY	01
change level 2	SECURITY	02
change level 3	SECURITY	03
phono ID	SECURITY	04
security is on/off	SECURITY	06
<b>Service switch enable - on/off</b>	SECURITY	05
<b>Software level</b>	STATUS	88
<b>"Thank You" message on/off</b>	OPTIONS	6993
<b>Time and date change</b>	INITIALIZE	38 and 39
<b>Tracks in a row</b>	OPTIONS	67
<b>Versions</b>	STATUS	88

## PROGRAMMING AUTOPLAY, PREMIUMS, PRIORITIES, AND LOCKOUTS

Each of these six options will allow programming specific selection or disc numbers into memory. The procedure is the same for all six options.

Place the phonograph into the SERVICE mode and get to the \* SERVICE MODE \* display (hold RESET and press POPULAR as many times as necessary to display \* SERVICE MODE \* ). Enter the command for the particular option to be programmed.

### For Autoplay programming

Type	Display shows
4	*AUTOPLAY*
5	PROGRAM 00 ----

### For Autoplay Only Programming

Type	Display shows
69	* MORE OPTIONS 1 *
6	AP ONLY 00 ----

### For Lockouts programming

Type	Display shows
6	*OPTIONS*
0	LOCKOUTS 00----

### For Timed Lockout Programming

Type	Display shows
699	* MORE OPTIONS 2 *
0	TIM LOCK 00 ----

### For Priorities programming

Type	Display
6	*OPTIONS*
1	PRIORITY 00 ----

### For Premiums programming

Type	Display shows
6	*OPTIONS*
2	PREMIUMS 00 ----

If a selection is not programmed for the displayed sequence number, four dashes will appear. When first received from the factory, none of these options will have any selections programmed.

It is possible to program up to 100 autoplay selections or discs, 25 Autoplay only discs, 25 premium selections, 25 lockout selections and 10 priority selections. The program sequence number will start at 00 and go to 1 less than the maximum possible programmed selections. For example, the sequence numbers for lockouts will start at 00 and go to 24.

All selections must be in consecutive sequence locations. You may not have a "hole" in the sequence. For example, premiums 00 is programmed to Selection 1305. The next premium selection must be entered in sequence location 01. The phonograph will not allow a hole to be left in the sequence.

## AUTOPLAY PROGRAMMING MODES

When the Autoplay program sequence does not have any selections in it, Autoplay will select a random disk and track to play whenever the Autoplay time has elapsed. By entering selections into the sequence program, Autoplay will follow that sequence and play only those selections entered. The order of play will follow the sequence.

When entering a selection number ending in 00 (this is not normally a valid selection) in to the Autoplay sequence, Autoplay will select a random selection from that particular disk. For example, sequence number 04 has Selection 5200 programmed in. When Autoplay gets to sequence number 04 (the 5th Autoplay selection to be played), it will play a random track from disk 52.

Specific selection numbers and random selections on specific disks may be entered together and in any order in an Autoplay sequenced program.

## LOCKOUT AND TIMED LOCKOUT MODES

To lockout a disc, enter the two-digit disc number followed by two zeroes. To lockout a selection, enter the four digit selection number.

If you are at Security Level 3 and have one of the four programming options on the display, you will notice the 1's digit of the sequence number will be blinking. The blinking digit indicates it may be changed. Type the sequence number where the new selection is to be entered then push POPULAR. If the sequence number entered would create a hole, the display will change to show the next available sequence number. The 1's digit in the selection number will now blink. Type in a four digit selection number (two digit disc number for Autoplay only), then press POPULAR to save it. The 1's digit in the sequence number will now blink allowing another sequence number to be entered.

If you try to enter a selection from a disk that has limits of 0 (the disk is not installed in the machine or it has not yet been initialized), the four dashes will reappear when POPULAR is pushed.

By holding RESET and pushing 3, the next sequence number and selection will be displayed. Holding RESET and pushing 2 will display the previous sequence number.

## EDITING AUTOPLAY, PREMIUMS, PRIORITIES AND LOCKOUTS

To change a selection number, use RESET + 2 and RESET + 3 to scan the sequence looking for the selection to be changed. If the sequence number of the selection to be changed is known, simply type the sequence number. When the proper selection is displayed, push POPULAR to move the blinking digit to the 1's position of the selection number. Type in the new four digit selection number (a two-digit disc number for Autoplay only) then push POPULAR.

If you try to enter a selection from a disk that has limits of 0 (the disk is not installed or not yet initialized), the original selection will be automatically reinserted when POPULAR is pushed.

To delete a selection number, locate that selection as described above. Push and hold RESET then push 4 once. The selection will be deleted. The next selection will be moved down into this sequence number to fill the hole the deletion would have left.

To add a selection in the middle of a list, locate the selection previous to selection you want to enter. Hold RESET and push 5 once. This will open a hole in the list. Type the new selection number then push POPULAR. If you try to enter a selection from a disk that has limits of 0 (the disk is not installed in the machine or it has not yet been initialized), selection 0001 will be inserted automatically.

## TIMED FREE PLAY AND TIMED LOCKOUT SCHEDULING TUTORIAL

---

### What Multiple Lockout On/Off Times Do

Multiple lockout On/Off times allow you to lockout (prevent selecting or playing) specific selections or discs up to three times a day each day of the week. Selections or discs to be locked-out are entered in OPTION 6990 (TIMLOCK). Scheduling and entering the times is done in the same manner as MULTIPLE FREEPLAY ON/OFF times (refer to the *Timed Free Play example*).

### What Multiple Freeplay On/Off Times Do

Multiple Freeplay ON/OFF Times allow you to stimulate interest in the phonograph by offering free plays at up to three times a day each day of the week. Note that this feature only schedules the Freeplay times. To allow Freeplay, you must be sure to turn the TIMED FPLAY (Command 54) ON before Freeplay will be enabled.



#### NOTE:

See table 2-4 for Commands 54, 55, and 58.

If FREE PLAY STATUS is ON, the phonograph will be on Free Play. If FREE PLAY STATUS is OFF, the phonograph will not be on Free Play.

Free Play status will always be turned OFF when a STOP time and day matches the time and day on the "Real-Time Clock", and timed Free Play is set to ON.

Free Play status will only turn ON when the START time and day matches the time and day of the real-time clock, and timed Free Play is set to ON.

When timed Free Play is set to OFF, the system will not turn Free Play status ON or OFF.

## 1. Turn Timed Freeplay On

**Example:** The example shown in *figure 2-12* shows The Multiple Freeplay On/Off Times sheet filled out for Sunday and Monday. To make keying the schedule in easier, use this form to make your plans, then key in the schedule (Photocopy the original of this form, which is in the back of this section).

## MULTIPLE FREEPLAY ON/OFF TIMES

Fill in the START times, STOP times, and the COMMENTS before you make the actual scheduling changes.

Sunday	On	Off	Comment
1	10 : 00	10 : 30	One Freeplay Time _____
2	-- : --	-- : --	_____
3	-- : --	-- : --	_____
Monday	On	Off	Comment
1	11 : 15	11 : 30	Two Freeplay Periods _____
2	14 : 30	14 : 45	_____
3	-- : --	-- : --	_____
Tuesday	On	Off	Comment
1	-- : --	-- : --	No Freeplay Scheduled _____
2	-- : --	-- : --	_____
3	-- : --	-- : --	_____

Figure 2-12. Sample Freeplay Schedule

## 2. Plan The Schedule

Scheduling Freeplay is simple, just remember these rules:

### SCHEDULING RULES

The schedule must have one ON time and a corresponding OFF time for each scheduled time. These times must follow these simple restrictions:

#### Examples:

Monday	ON	OFF	
1	10:30	10:00	<b>Wrong</b> - The OFF time is set before the ON time. The ON time must be earlier than the corresponding OFF time.
Monday	ON	OFF	
1	10:00	--:--	<b>Wrong</b> - A gap was left in the schedule. Gaps are not allowed.
2	11:00	11:30	
Monday	ON	OFF	
1	15:00	--:--	<b>Wrong</b> - No OFF time was scheduled. Each scheduled Freeplay time must have an ON time and an OFF time.
2	--:--	--:--	
Monday	ON	OFF	
1	10:00	10:30	<b>Right</b> - The proper times were entered and the schedule is complete.
2	11:00	11:30	

### 3. Enter The Schedule

If you have not verified that Timed Freeplay is ON, go back to the previous topics and check the Freeplay status before you make or change the Freeplay Schedule.

- A. From the \* SERVICE MODE \* display, enter 58 to display Line 8 of the Pricing Menu. This line will show: FREE SCH SMTWTFS with the first "S" (Sunday) in the calendar blinking<sup>1</sup>.
- B. Move the cursor to another day by pressing either RESET+2 or by pressing RESET+3.
- C. Move the cursor back to Monday and press POPULAR to view Monday's schedule.
- D. At this time the display shows MON-1 ON --:-- and the 1's digit of the hours field is blinking<sup>2</sup>. The MON-1 on the display indicates that this schedule entry is the first Monday ON time. Enter the first Monday ON time hour from the sample schedule (see figure 2-12) by entering the ON time hour and then pressing POPULAR. Enter the minutes in the same way and then press POPULAR.
- E. To move to the first OFF time for Monday, press RESET+3, enter the OFF time, and press POPULAR.
- F. Press RESET+3 to advance to the second OFF time. Enter the OFF Time and then press POPULAR.
- G. Press RESET+9 to move back to the FREE SCH display.

### 4. Copy The Schedule

Now to program the phonograph for the rest of the week. You can copy the schedule that you just made into any/all of the remaining days of the week. To make the schedule for Tuesday through Friday the same as Monday:

- A. Move the cursor until the M for Monday is blinking.
- B. Press RESET+8 and the display will show: CPY MO -> S
- C. Press RESET+2 and RESET+3 until MTWTF appears on the display. MTWTF on the display indicates that Monday's schedule will be copied into the Monday through Friday schedules.
- D. Press POPULAR to perform the copy.

## ENHANCED AUTOPLAY TUTORIAL

### Autoplay

The Autoplay feature stimulates customer interest in the phonograph by periodically playing selections. The Autoplay feature is factory preset to STD and to play one track after the phonograph has been idle for 20 minutes. This feature may be programmed for any length of time between 0 and 255 minutes. Selections may be played in a specific sequence.

<sup>1</sup> Any blinking letter or number represents the "cursor", which is the pointer that indicates what information will be changed if you make an entry.

<sup>2</sup> A field is a space to enter or display numbers or letters.

## Differences Between Standard And Enhanced Autoplay

Enhanced Autoplay lets you categorize the discs (for example: Popular, Country, Rock, etc.). Up to eight categories can be assigned and selected up to 20 different times of the day, each day of the week. Standard Autoplay cannot assign categories, has one ON/OFF time, and lets you select which days of the week Autoplay is active. Enhanced Autoplay programming is more involved, so Standard Autoplay should be used unless categories, multiple ON/OFF times, or different ON/OFF times for different days are needed.

### SETTING UP ENHANCED AUTOPLAY

1. Set COMMAND 40, AUTOPLAY IS, to: ENH (COMMAND 41, DELAY, is not used in Enhanced Autoplay).
2. Set COMMAND 42, START TIME, to: 00:00 (this is the factory setting).
3. Set COMMAND 43, STOP TIME, to 23:59 (this is the factory setting).
4. Set COMMAND 44, ON DAYS, to SMTWTFS (this is the factory setting).
5. COMMAND 45, PROGRAMMED AUTOPLAY - Programming is optional. Use Programmed Autoplay only if you want to play specific selections or play discs in a specific order. If Programmed Autoplay is used, it plays only those selections and discs that are listed in the play list and the discs' categories are selected (the category must be active and the selection must be on the play list before the selection will play).

Enhanced Autoplay looks at the selected categories first, then determines which discs may be played. If one of the allowed category numbers matches a disc category number in the play list, that selection is played. When you use a play list, be sure that the programmed schedule (COMMAND 49) and the disc categories (COMMAND 48), and the Programmed Autoplay selections (discs) are properly assigned, or Enhanced Autoplay will not play the selections from the play list (see *Programming Autoplay, Premiums, Priorities, and Lockouts* for information on how to program the play list).



#### NOTE:

COMMAND 46, CLEAR PROGRAMMED, clears all programmed selections entered in COMMAND 45.

6. Set COMMAND 47, AUTOPLAY STATUS, to: ON.
7. COMMAND 48 and 49. See *Setting Up Enhanced Autoplay Schedules on the following pages*.

### Setting Up Enhanced Autoplay Schedules (Commands 48 And 49)

Enhanced Autoplay provides up to 20 events each day of the week for a total of 140 events per week. Before you begin entering specifics for these events, some preliminary work must be done. If you take the time to do this work now, you will find that planning, entering, and changing the Autoplay schedule will be much easier.



The five major tasks to perform are:

1. Assigning a category number or numbers to each disc installed in the phonograph using the Disc Category List worksheet as shown in *figure 2-13*, and use the WorkSheet Masters at the end of this section for the actual masters.
2. Entering the disc category list into the phonograph.
3. Developing the Autoplay Event Schedule using the Autoplay Event Schedule Worksheet.
4. Entering the Autoplay Event Schedule into the phonograph.
5. Copy a schedule to the other days of the week.

## FOLLOW STEPS 1 THROUGH 5 TO SETUP AN ENHANCED AUTOPLAY SCHEDULE

### 1. Set Up The Categories

Categories should be assigned if you want to take full advantage of Enhanced Autoplay's ability to select specific kinds of music.

Autoplay sees the eight categories as Category 1 through 8 (All 100 discs are assigned to Category 1 at the factory). To make setting up Autoplay easier, you should assign names to each category. We have supplied a general purpose form to help you assign category numbers and discs. A general purpose category assignment would look like *figure 2-13*.

Once you have decided what title to use for each category (you do not have to assign a name for each category if you do not have eight categories), you should determine the category (or categories) for each disc. *Figure 2-13* also shows a sample category list for a phonograph with 50 discs. Note that some discs fit into more than one category. This means that Autoplay can select these discs if any one of the categories is scheduled. You can assign a disc to all eight categories, but depending on the category titles, some category titles may exclude each other (it's not likely that a Country & Western disc would be assigned to Urban as well).

You can enter the categories as you look at the title pages on a CD-100 phonograph.

Photocopy the Disc Category List at the back of this section and use the copy for a work sheet.



## DISC CATEGORY LIST

Date 9-25-89

Location JOE'S

Name each of the eight categories and then assign the discs to each category.

Category #	Category Name	Category #	Category Name
1	<u>POP MUSIC - TOP 40</u>	5	<u>URBAN</u>
2	<u>COUNTRY &amp; WESTERN</u>	6	<u>OLDIES</u>
3	<u>EASY LISTENING</u>	7	<u>HEAVY METAL</u>
4	<u>JAZZ</u>	8	<u>BACKGROUND MUSIC</u>

Place an X on the category that you wish to assign to each disc.

00	X									50									
01	X									51									
02	X									52									
03	X									53									
04	X									54									
05	X									55									
06	X									56									
07	X									57									
08	X									58									
09	X									59									
10	X									60									
11	X									61									
12	X									62									
13	X									63									
14	X									64									
15	X									65									
16	X									66									
17	X									67									
18	X									68									
19	X									69									
20										70									
21										71									
22										72									
23										73									
24										74									
25										75									
26										76									
27										77									
28										78									
29										79									
30										80									
31										81									
32										82									
33										83									
34										84									
35										85									
36										86									
37										87									
38										88									
39										89									
40										90									
41										91									
42										92									
43										93									
44										94									
45										95									
46										96									
47										97									
48										98									
49										99									

Figure 2-13. Sample Disc Category List

## 2. Make The Category Entries

### KEY FUNCTIONS

Some key combinations have slightly different meanings in the Autoplay menus. *Table 2-6* shows what these key combinations do in the Schedule (display shows: SCHEDULE SMTWTFS) and in the Set Time (SU 01 TIME) modes.

Table 2-6. Key Functions

Key Combination	Function in SCHEDULE SMTWTFS	Function in SU 01 TIME --:--
RESET+2	Moves the cursor to the left one day	Decrements the event number
RESET+3	Moves the cursor to the right one day	Increments the event number
RESET+4	No function	Deletes the current event and moves all events down one line
RESET+5	No function	Inserts a blank entry at this event number and pushes all other events up one line
RESET+6	No function	No function
RESET+7	No function	Toggles the negative sign in VOL1 and VOL2
RESET+8	Starts the copy function	No function
RESET+9	Enters the indicated day's program	Advances to the next programmable field
POPULAR	Enters the indicated day's program	Stores the displayed data in the displayed field

Use the DISC mode to enter a disc number. Switch to CATEGORY mode to change the categories assigned to the disc selected in the DISC mode.

- A. Enter the SERVICE mode.
- B. Enter 48 to access the Autoplay Category menu.

The display will initially show: =00 CAT 1-----

- The = sign to the left of the 00 indicates that the disc number will be changed (DISC mode) rather than changing the categories assigned (CATEGORY mode).
- The 00 indicates the disc number
- The 1----- indicates that disc 00 is only assigned to Category 1

## USING RESET+9 IN THE CATEGORY MENU

RESET+9 toggles (switches) back and forth between DISC mode and CATEGORY mode.

### DISC MODE

DISC mode (the = sign is ahead of the disc number) only allows you to change the disc number that is displayed. Use this mode to change the disc number easily. This mode is particularly useful if you are changing or checking categories for a wide range of disc numbers.

**Example:** You want to view the categories assigned to Discs 15, 45, and 87. If you enter 15, you will see the categories assigned to Disc 15. Enter 45 and you will see the categories assigned to Disc 45. Enter 87 and, you guessed it, the display shows the categories assigned to Disc 87.

In DISC mode, the following keys have these functions:

Key Combination	Function
RESET+2	Decrements the disc number by one disc
RESET+3	Increments the disc number by one disc
POPULAR	Changes to CATEGORY mode (not a toggle function)
Number Keys	Numbers entered become the new disc numbers. The new categories are displayed as each digit of the new disc number is entered

C. Select the disc number that you wish to assign categories.

### CATEGORY MODE

CATEGORY mode (the = sign is ahead of the category numbers) allows you to change the category numbers assigned to a disc.

In CATEGORY mode, the following keys have these functions:

Key Combination	Function
RESET+2	Decrements the disc number by one disc
RESET+3	Increments the disc number by one disc
POPULAR	Saves any changes made to the category list and increments the disc number by one disc
Number Keys	Toggle the corresponding categories ON and OFF.

D. Press RESET+9 to switch to CATEGORY mode.

E. Enter the numbers (1 through 8) that correspond to the categories that you wish to assign to the disc. The number keys will alternately turn the category numbers ON and OFF.

### 3. Plan The Schedule

The schedule determines on which day and at what time of day that Autoplay categories are allowed to play (this is called an event).

If the phonograph has the optional volume control module installed, the schedule can adjust the phonograph's volume at the beginning of each event.

The schedule is composed of five parts (seven parts if you include the optional volume control feature). Each of these schedule parts are discussed in the paragraphs that follow.

#### DAY OF THE WEEK

The time and date are set at the factory (they can be changed if needed). The factory-set time is Eastern Standard Time.

The Central Control Computer (CCC) uses the time and initial date to determine the day of the week by using its own internal calendar.

If you wish, you may schedule all seven days of the week.

#### EVENT

An event is space in the schedule where a schedule change is made. Each of the days of the week can have up to 20 events scheduled.

#### TIME

You must supply a time in the schedule to start Enhanced Autoplay. This time is the exact time that you want Autoplay to be allowed to check for an idle phonograph. The actual first Autoplay selection will only play after the delay time (*see Delay*).

#### CATEGORIES

All, some, or none of the eight categories can be selected for each event. Select the category (or categories) that you want to have played when the phonograph makes an Autoplay selection. Autoplay will make its selection from the lowest selected category. If you supply a play list (play lists are discussed next), Autoplay will pick a play list selection that is in the selected category.

#### DELAY

Delay is the time that Autoplay waits to make a selection after the customer selection is played (is scanned out).

#### CHANNEL 1 AND CHANNEL 2 VOLUME (Optional)

VOL1 and VOL2 are single digit numbers (0 through 9 and -1 through -9) that cause the phonograph's volume to change in Channel 1 and in Channel 2. This volume change is relative to the volume set by the phonograph's volume control. A volume of 0 means use the phonograph volume control's volume setting. A setting of 1 means boost the volume slightly and a setting of -1 means reduce the volume slightly. A value of 9 is the maximum volume boost and a value of -9 is the maximum volume reduction.

## Joe's B&amp;G Schedule Example

Joe wants to have his phonograph make Enhanced Autoplay selections on Monday so that he will have background music from 1:30 pm to 5:30 pm. Then he wants to pick up the tempo and increase the phonograph's volume until 10:30, when he wants to "Go Country" until closing at 2:00 am.

As Joe fills out the schedule (figure 2-14), he decides to add a little variety to the afternoon schedule, so he adds Easy Listening (Category 3) and Jazz (Category 4) to his schedule. Note that Joe schedules Event 1 at closing time. This event shuts off Enhanced Autoplay until the next event with at least one selected category.

AUTOPLAY SCHEDULE					
Location	<u>JOE'S</u>			Date	<u>9/25/89</u>
Fill in the Autoplay event times, delay times, categories, and volume changes before you make the actual scheduling changes.					
Day:	<u>MON</u>				
Event	Time	Categories	Delay	Vol 1	Vol 2
1	<u>02:00</u>	<u>—</u>	<u>0</u>	<u>0</u>	<u>0</u>
2	<u>13:30</u>	<u>3, 4, 8</u>	<u>10</u>	<u>-3</u>	<u>-3</u>
3	<u>17:30</u>	<u>1</u>	<u>2</u>	<u>3</u>	<u>3</u>
4	<u>22:30</u>	<u>3</u>	<u>5</u>	<u>0</u>	<u>0</u>
5	<u>  :  </u>	<u>  </u>	<u>  </u>	<u>  </u>	<u>  </u>
6	<u>  :  </u>	<u>  </u>	<u>  </u>	<u>  </u>	<u>  </u>
7	<u>  :  </u>	<u>  </u>	<u>  </u>	<u>  </u>	<u>  </u>

Figure 2-14. Sample Autoplay Schedule

## 4. Make The Schedule Entries

### OVERVIEW

Entering a schedule requires a total of five entries (seven if the volume control module is installed). Three of these entries (Day, Time, and Category Selection) must be scheduled to have Autoplay work properly. The remaining entries do not have to have specific entries to work.

Line 49

Day:	SCHEDULE SMTWTFS
	(POPULAR)
Time:	MO 01 TIME --:--
	(RESET+9)
Categories:	MO 01 [-----]
	(RESET+9)
Delay:	MO 01 Delay 00
	(RESET+9)

Figure 2-15. Steps To Make A Schedule

A. **Event 1** - These steps describe how to enter Event 1 in the previous example (*figure 2-14*) and the flow through the steps is illustrated in *figure 2-15*.

- 1). Enter the SERVICE mode.
- 2). Enter 49 to access the Autoplay Schedule menu.

The display will initially show: SCHEDULE SMTWTFS

- 3). Use the RESET+2 and the RESET+3 keys to change the blinking letter until the "M" blinks and then press POPULAR to move to the SET TIME menu.
- 4). The display will show: MO 01 TIME [--:--] which is the TIME menu for EVENT 01.

You can change the event number by pressing RESET+2 to decrement the event number, or you can press RESET+3 to increment the event number. Make sure that the event number is EVENT 01 and then enter 02, which is the 24-hour time for 2 am. Press POPULAR to save the entry and advance to the minutes field.

- 5). Press POPULAR to save the entry. This completes the TIME entry for Event 01.
- 6). Press RESET+9 to advance to the CATEGORY SELECT menu.

The display will show: MO 01 [-----]. If the display does not show all dashes, type each number that appears in the display (this will toggle the category(s) OFF). When the display shows all dashes, press POPULAR to save the selection.

- 7). Press RESET+9 to advance to the DELAY menu.

The display will show: MO 01 DELAY 00

The delay time doesn't matter because no categories are selected, so go to *Event 2*.

- 8). Press RESET+0 then go to Event 2. The display will show: =00 CAT 1-----.

## Event 2

- 1). Press RESET+1 to access the Autoplay Schedule menu.

The display will initially show: SCHEDULE SMTWTFS

- 2). Press RESET+3 to move the blinking letter until the "M" blinks, then press RESET+3 to increase the event number to Event 02.
- 3). The display will show: MO 02 TIME --:-- which is the TIME menu for EVENT 02.  
Enter 13, which is the 24-hour time for 1 pm. Press POPULAR to save the entry and advance to the minutes field.
- 4). Enter 30 and then press POPULAR to save the entry. This completes the TIME entry for Event 02.
- 5). Press RESET+9 to advance to the CATEGORY SELECT menu.

The display will show: MO 02 [-----].

Enter the numbers 3, 4, and 8 to have Autoplay select from discs in Categories 3, 4, and 8. Press POPULAR to save the selections.

- 6). Press RESET+9 to advance to the DELAY menu.  
The display will show: MO 02 DELAY 00

Enter 10 to allow a ten minute delay before an Autoplay selection will be selected. Press POPULAR to save the entry.

The next four steps are only necessary if you have the volume control module installed in your phonograph.

- 7). Press RESET+9 to advance to the VOLUME CHANNEL 1 menu.  
The display will show: MO 02 VOL CH1 0

Press RESET+7 to insert a minus sign in front of the 0.

- 8). Enter 3 to cause Channel 1 to play at a slightly reduced level when this event starts (at 1:30). Press POPULAR to save the entries.

Channel #1 Volume:

MO 02 VOL CH1 -3

(RESET+9)<sup>1</sup>

<sup>1</sup> RESET+9 will "wrap" to the TIME display.

- 9). Press RESET+9 to advance to the VOLUME CHANNEL 2 menu.  
The display will show: MO 02 VOL CH2 0  
  
Press RESET+7 to insert a minus sign in front of the 0.
- 10). Enter 3 to cause Channel 2 to play at a slightly reduced level when this event starts (at 1:30). Press POPULAR to save the entries.

Channel #2 Volume:

MO 02 VOL CH2 -3
------------------

(RESET+9)<sup>2</sup>

### Event 3

- 1). Press RESET+9 once to access the EVENT TIME menu.  
The display will show: MO 02 TIME 13:30
- 2). Press RESET+3 to increase the event number to Event 03.
- 3). The display will show: MO 03 TIME --:-- which is the TIME menu for EVENT 03.  
  
Enter 17, which is the 24-hour time for 5 pm. Press POPULAR to save the entry and advance to the minutes field.
- 4). Enter 30 and then press POPULAR to save the entry. This completes the TIME entry for Event 03.
- 5). Press RESET+9 to advance to the CATEGORY SELECT menu.  
  
The display will show: MO 03 [-----]  
  
Press 1 to make Category 1 active. Press POPULAR to save the entry.
- 6). Press RESET+9 to advance to the DELAY menu.  
  
The display will show: MO 03 DELAY 00  
  
Enter 02 to allow a two minute delay before an Autoplay selection will be selected. Press POPULAR to save the entry.

The next four steps are only necessary if you have the volume control module installed in your phonograph.

- 7). Press RESET+9 to advance to the VOLUME CHANNEL 1 menu.  
The display will show: MO 03 VOL CH1 0
- 8). Enter 3 to cause Channel 1 to play at a slightly increased level when this event starts (at 5:30). Press POPULAR to save the entries.

---

<sup>2</sup> RESET+9 will "wrap" to the TIME display.



Channel #1 Volume:

MO 03 VOL CH1 -3

(RESET+9)<sup>3</sup>

- 9). Press RESET+9 to advance to the VOLUME CHANNEL 2 menu. The display will show: MO 03 VOL CH2 0
- 10). Enter 3 to cause Channel 2 to play at a slightly increased level when this event starts (at 5:30). Press POPULAR to save the entries.

Channel #2 Volume:

MO 03 VOL CH2 -3

(RESET+9)<sup>1</sup>**Event 4**

- 1). Press RESET+9 once to access the EVENT TIME menu.  
The display will show: MO 03 TIME 17:30.
- 2). Press Press RESET+3 to increase the event number to Event 04.
- 3). The display will show: MO 04 TIME --:-- which is the TIME menu for EVENT 03.  
Enter 22, which is the 24-hour time for 10 pm. Press POPULAR to save the entry and advance to the minutes field.
- 4). Enter 30 and then press POPULAR to save the entry. This completes the TIME entry for Event 04.
- 5). Press RESET+9 to advance to the CATEGORY SELECT menu.  
The display will show: MO 04 [-----]  
Enter 3 to have Autoplay select from discs in Category 3. Press POPULAR to save the selection.
- 6). Press RESET+9 to advance to the DELAY menu.  
The display will show: MO 04 DELAY 00  
Enter 05 to allow a five minute delay before an Autoplay selection will be selected. Press POPULAR to save the entry.
- 7). The programming for Monday is now complete.
- 8). Press RESET+POPULAR until \* SERVICE MODE \* appears on the display.

---

<sup>3</sup> RESET+9 will "wrap" to the TIME display.

## 5. Copy The Schedule

Now program the phonograph for the rest of the week! You can save a great deal of time if you copy the schedule that you just made into the remaining days of the week. To make the schedule for Tuesday through Friday the same as Monday (the Copy function is also helpful if the schedule for the other days is similar to the Monday schedule. Do a Copy and then revise the copied schedules):

- A. Enter 49 to access the AUTOPLAY SCHEDULE menu. Press RESET+3 to move the cursor until the M for Monday is blinking. This is the schedule that will be copied (FROM).
- B. Press RESET+8 and the display will show: CPY MO -> S
- C. Press RESET+2 or RESET+3 until MTWTF appears on the display. MTWTF on the display indicates that Monday's schedule will be copied TO the Monday through Friday schedules.
- D. Press POPULAR to perform the copy.
- E. Press RESET+POPULAR repeatedly until \* SERVICE MODE \* appears on the display.

## Working Example Of Enhanced Autoplay

### PAUL'S MOTEL

Paul, the owner, operator of Paul's Motel wants to play music in his bar and in the separate restaurant. Paul wants to have the music played everyday in the following format:

- Easy Listening for his breakfast crowd from 5:30 to 10:00 am with a one minute delay between Autoplay selections.
- Top 40 and oldies from 10:00 am to 4:00 pm with a fifteen minute delay between Autoplay selections.
- Specials (certain Top 40 discs) during happy hour from 4:00 to 6:00 pm with a five minute delay between Autoplay selections.
- Easy Listening and Background music for the dinner crowd with a 3 minute delay between Autoplay selections.
- All types of music from 9:00 pm to 3:00 am with a twenty minute delay between Autoplay selections.

To accomplish this format, Paul asked Jeff, his music operator to install a CD-100A in Paul's bar area. Jeff is now installing a 21639701 Background Music Volume Control Kit, and he will use Enhanced Autoplay to give the restaurant the exact music style that Paul desires.

Jeff installs the CD-100A and the background music volume control kit so that the restaurant speakers switch on the restaurant during the Autoplay selections.

### HOW JEFF SET UP ENHANCED AUTOPLAY

1. Jeff reads the tutorial carefully and begins to install Enhanced Autoplay by planning his work first.
2. Jeff fills out the Disc Category List (*see figure 2-16*).

## DISC CATEGORY LIST

Date 9-8-89

Location PAUL'S MOTEL

Name each of the eight categories and then assign the discs to each category.

Category #	Category Name	Category #	Category Name
1	<u>ALL DISC'S</u>	5	<u>URBAN</u>
2	<u>POP MUSIC - TOP 40</u>	6	<u>OLDIES</u>
3	<u>EASY LISTENING</u>	7	<u>COUNTRY - WESTERN</u>
4	<u>SPECIAL - HAPPY HOUR</u>	8	<u>BACKGROUND MUSIC</u>

Place an X on the category that you wish to assign to each disc.

00	1	X							50	1	2	3	4	5	6	7	8
01	1	2	X						51	1	2	3	4	5	6	7	8
02	1	3							52	1	2	X	4	5	6	7	8
03	1	3							53	1	2	X	4	5	6	7	8
04	1	3							54	1	2	3	4	5	6	7	8
05	1	3							55	1	2	3	4	5	6	7	8
06	1	3							56	1	2	3	4	5	6	7	8
07	1	3							57	1	2	3	4	5	6	7	8
08	1	3							58	1	2	3	4	5	6	7	8
09	1	3							59	1	2	3	4	5	6	7	8
10	1	3							60	1	2	X	4	5	6	7	8
11	1	2	X						61	1	2	3	4	5	6	7	8
12	1	3							62	1	2	X	4	5	6	7	8
13	1	3							63	1	2	3	4	5	6	7	8
14	1	2	X						64	1	2	3	4	5	6	7	8
15	1	3							65	1	2	3	4	5	6	7	8
16	1	3							66	1	2	X	4	5	6	7	8
17	1	3							67	1	2	3	4	5	6	7	8
18	1	2	3	4	5	6	7	8	68	1	2	3	4	5	6	7	8
19	1	2	3	4	5	6	7	8	69	1	2	X	4	5	6	7	8
20	1	2	3	4	5	6	7	8	70	1	2	3	4	5	6	7	8
21	1	2	3	4	5	7	8		71	1	2	X	4	5	6	7	8
22	1	2	3	4	5	7	8		72	1	2	X	4	5	6	7	8
23	1	3	X						73	1	2	3	4	5	6	7	8
24	1	2	3	4	5	7	8		74	1	2	3	4	5	6	7	8
25	1	2	3	X					75	1	2	3	4	5	6	7	8
26	1	2	3	4	5	7	8		76	1	2	3	4	5	6	7	8
27	1	2	3	4	5	7	8		77	1	2	3	4	5	6	7	8
28	1	2	3	X					78	1	2	3	4	5	6	7	8
29	1	3							79	1	2	3	4	5	6	7	8
30	1	3							80	1	2	X	4	5	6	7	8
31	1	3							81	1	2	3	4	5	6	7	8
32	1	3							82	1	2	3	4	5	6	7	8
33	1	3							83	1	2	3	4	5	6	7	8
34	1	3							84	1	2	3	4	5	6	7	X
35	1	3							85	1	2	X	4	5	6	7	8
36	1	3							86	1	2	3	4	5	6	7	8
37	1	2	X						87	1	2	3	4	5	6	7	8
38	1	2	X						88	1	2	X	4	5	6	7	8
39	1	2	X						89	1	2	3	4	5	6	7	8
40	1	2	X						90	1	2	3	4	5	6	7	8
41	1	2	X						91	1	2	3	4	5	6	7	8
42	1	2	X						92	1	2	3	4	5	6	7	8
43	1	2	X						93	1	2	3	4	5	6	7	X
44	1	2	3	4	X				94	1	2	3	4	5	6	7	8
45	1	2	3	4	X				95	1	2	3	4	5	6	7	8
46	1	2	X						96	1	2	3	4	5	6	7	8
47	1	2	3	4	X				97	1	2	3	4	5	6	7	8
48	1	2	3	4	X				98	1	2	3	4	5	6	7	X
49	1	2	3	4	X				99	1	2	3	4	5	6	7	8

Figure 2-16. Sample Disc Category List

3. Jeff then enters the information shown in *figure 2-16* in the following sequence:

A. Jeff enters the SERVICE mode. The list that follows shows what keys he presses and displays what he sees after he presses the keys.

B. The Steps:

Step #	Keystroke	Display
1	COMMAND 40	AUTOPLAY IS STD
2	RESET+9	AUTOPLAY IS ENH
3	POPULAR	
4	RESET+POPULAR	* AUTOPLAY *
5	RESET+POPULAR	SERVICE MODE
6	COMMAND 48	=00 CAT 1-----
7	RESET+9	00 CAT=1-----
8	Press Key 2, Press Key 4	00 CAT=12-4----
9	POPULAR	01 CAT=1-----
10	Press Key 3	01 CAT=1-3-----
11	POPULAR	02 CAT=1-----

Jeff repeats Steps 9, 10, and 11 to assign all discs according to the Disc Category List. In Step 10, he presses the necessary keys (1-8) to delete (unassigned categories display as a dash) and assign (assigned categories display as the category number) the categories. When he finishes, Jeff will have assigned categories to 38 of the 100 discs possible (some discs will have been assigned to multiple categories).

Note that the factory has assigned all discs to Category 1, and Jeff may choose to turn Category OFF while he assigns categories (in *figure 2-16*, Category 1 is not marked with any "X"s because the factory has already assigned Category 1 to all discs).

C. Next, Jeff fills out the Autoplay Schedule according to Paul's schedule (see *figure 2-17*).

AUTOPLAY SCHEDULE					
Location <u>PAUL'S MOTEL</u>			Date <u>9-8-89</u>		
Fill in the Autoplay event times, delay times, categories, and volume changes before you make the actual scheduling changes.					
Day: <u>SMTWTFS</u>					
Event	Time	Categories	Delay	Vol 1	Vol 2
1	<u>03:00</u>	<u>---</u>	<u>02</u>	<u>0</u>	<u>0</u>
2	<u>05:30</u>	<u>3</u>	<u>1</u>	<u>0</u>	<u>0</u>
3	<u>10:00</u>	<u>2, 6</u>	<u>15</u>	<u>0</u>	<u>0</u>
4	<u>16:00</u>	<u>4</u>	<u>5</u>	<u>0</u>	<u>0</u>
5	<u>18:00</u>	<u>3, 8</u>	<u>3</u>	<u>0</u>	<u>0</u>
6	<u>21:00</u>	<u>ALL</u>	<u>20</u>	<u>0</u>	<u>0</u>

Figure 2-17. Sample Autoplay Schedule

D. Jeff now enters the SERVICE mode and begins to make the entries.  
The steps are:

Step #	Keystroke	Display
1	COMMAND 49	SCHEDULE SMTWTFS
2	POPULAR	SU 01 TIME --:--
3	Press Keys 0, 3, and then press POPULAR, POPULAR	SU 01 TIME 03:00
4	RESET+9, POPULAR	[-----]
5	RESET+9	SU 01 DELAY 00
6	Press Keys 0, 2, POPULAR	SU 01 DELAY 02
7	RESET+9 (THREE TIMES)	SU 01 TIME 03:00
8	RESET+3	SU 02 TIME --:--
9	Press Keys 05, POPULAR, 30, and POPULAR	SU 02 TIME 05:30
10	Press RESET+9	SU 02 [-----]
11	Press Keys 3, POPULAR	SU 02 [--3-----]
12	Press RESET+9	SU 02 DELAY 00
13	Press Keys 1, POPULAR	SU 02 DELAY 01
14	Press RESET+9 (three times)	SU 02 TIME 05:30
15	Press RESET+3	SU 03 TIME --:--
16	Press Key 10, POPULAR, POPULAR	SU 03 TIME 10:00
17	Press RESET+9	SU 03 [-----]
18	Press Keys 2, 6, and then POPULAR	SU 03 [-2--6--]
19	Press RESET+9	SU 03 DELAY 00
20	Press 1, 5, POPULAR	SU 03 DELAY 15
21	Press RESET+9 (three times)	SU 03 TIME 10:00
22	Press RESET+3	SU 04 TIME --:--
23	Press Key 1, 6, POPULAR, POPULAR	SU 04 TIME 16:00
24	Press RESET+9	SU 04 [-----]
25	Press Keys 4, POPULAR	SU 04 [---4---
26	Press RESET+9	SU 04 DELAY 00
27	Press 0, 5, POPULAR	SU 04 DELAY 05
28	Press RESET+9 (three times)	SU 04 TIME 16:00
29	Press RESET+3	SU 05 TIME --:--
30	Press Keys 1, 8, POPULAR, POPULAR	SU 05 TIME 18:00
31	Press RESET+9	SU 05 [-----]
32	Press Keys 3, 8, then POPULAR	SU 05 [--3-----]
33	Press RESET+9	SU 05 DELAY 00
34	Press 3 then POPULAR	SU 05 DELAY 03
35	Press RESET+9 (three times)	SU 05 TIME 18:00

Step #	Keystroke	Display
36	Press RESET+3	SU 06 TIME --:--
37	Press Keys 2, 1, POPULAR, POPULAR	SU 06 TIME 21:00
38	Press RESET+9	SU 06 [-----]
39	Press Keys 1 through 8, then POPULAR	SU 06 [12345678]
40	Press RESET+9	SU 06 DELAY 00
41	Press 2, 0, then POPULAR	SU 06 DELAY 20
42	Press RESET+9 (three times)	SU 06 TIME 21:00
43	Press RESET+POPULAR twice)	SERVICE MODE
44	Press Keys 4, 9	SCHEDULE SMTWTFS
45	Press RESET+8	CPY SU-> S
46	Press RESET+2 (twice)	CPY SU-> SMTWTFS
47	Press POPULAR	SCHEDULE SMTWTFS



## Worksheet Masters



On the following pages you will find blank worksheet masters for *Multiple Free Play On/Off Times*, the *Disc Category List*, and the *Autoplay Schedule*.

Carefully remove these masters from this manual and copy them freely for your use. Note that extra room has been left on the left hand margin of each sheet so that it may be hole-punched and kept in a binder for future reference.



## MULTIPLE FREE PLAY ON/OFF TIMES

Fill in the START times, STOP times, and the COMMENTS before you make the actual scheduling changes.

Sunday	On	Off	Comment
1	____ : ____	____ : ____	_____
2	____ : ____	____ : ____	_____
3	____ : ____	____ : ____	_____
Monday	On	Off	Comment
1	____ : ____	____ : ____	_____
2	____ : ____	____ : ____	_____
3	____ : ____	____ : ____	_____
Tuesday	On	Off	Comment
1	____ : ____	____ : ____	_____
2	____ : ____	____ : ____	_____
3	____ : ____	____ : ____	_____
Wednesday	On	Off	Comment
1	____ : ____	____ : ____	_____
2	____ : ____	____ : ____	_____
3	____ : ____	____ : ____	_____
Thursday	On	Off	Comment
1	____ : ____	____ : ____	_____
2	____ : ____	____ : ____	_____
3	____ : ____	____ : ____	_____
Friday	On	Off	Comment
1	____ : ____	____ : ____	_____
2	____ : ____	____ : ____	_____
3	____ : ____	____ : ____	_____
Saturday	On	Off	Comment
1	____ : ____	____ : ____	_____
2	____ : ____	____ : ____	_____
3	____ : ____	____ : ____	_____

# DISC CATEGORY LIST

Date \_\_\_\_\_

Location \_\_\_\_\_

Name each of the eight categories and then assign the discs to each category.

Category #	Category Name	Category #	Category Name
1	_____	5	_____
2	_____	6	_____
3	_____	7	_____
4	_____	8	_____

Place an X on the category that you wish to assign to each disc.

00	1	2	3	4	5	6	7	8	50	1	2	3	4	5	6	7	8
01	1	2	3	4	5	6	7	8	51	1	2	3	4	5	6	7	8
02	1	2	3	4	5	6	7	8	52	1	2	3	4	5	6	7	8
03	1	2	3	4	5	6	7	8	53	1	2	3	4	5	6	7	8
04	1	2	3	4	5	6	7	8	54	1	2	3	4	5	6	7	8
05	1	2	3	4	5	6	7	8	55	1	2	3	4	5	6	7	8
06	1	2	3	4	5	6	7	8	56	1	2	3	4	5	6	7	8
07	1	2	3	4	5	6	7	8	57	1	2	3	4	5	6	7	8
08	1	2	3	4	5	6	7	8	58	1	2	3	4	5	6	7	8
09	1	2	3	4	5	6	7	8	59	1	2	3	4	5	6	7	8
10	1	2	3	4	5	6	7	8	60	1	2	3	4	5	6	7	8
11	1	2	3	4	5	6	7	8	61	1	2	3	4	5	6	7	8
12	1	2	3	4	5	6	7	8	62	1	2	3	4	5	6	7	8
13	1	2	3	4	5	6	7	8	63	1	2	3	4	5	6	7	8
14	1	2	3	4	5	6	7	8	64	1	2	3	4	5	6	7	8
15	1	2	3	4	5	6	7	8	65	1	2	3	4	5	6	7	8
16	1	2	3	4	5	6	7	8	66	1	2	3	4	5	6	7	8
17	1	2	3	4	5	6	7	8	67	1	2	3	4	5	6	7	8
18	1	2	3	4	5	6	7	8	68	1	2	3	4	5	6	7	8
19	1	2	3	4	5	6	7	8	69	1	2	3	4	5	6	7	8
20	1	2	3	4	5	6	7	8	70	1	2	3	4	5	6	7	8
21	1	2	3	4	5	6	7	8	71	1	2	3	4	5	6	7	8
22	1	2	3	4	5	6	7	8	72	1	2	3	4	5	6	7	8
23	1	2	3	4	5	6	7	8	73	1	2	3	4	5	6	7	8
24	1	2	3	4	5	6	7	8	74	1	2	3	4	5	6	7	8
25	1	2	3	4	5	6	7	8	75	1	2	3	4	5	6	7	8
26	1	2	3	4	5	6	7	8	76	1	2	3	4	5	6	7	8
27	1	2	3	4	5	6	7	8	77	1	2	3	4	5	6	7	8
28	1	2	3	4	5	6	7	8	78	1	2	3	4	5	6	7	8
29	1	2	3	4	5	6	7	8	79	1	2	3	4	5	6	7	8
30	1	2	3	4	5	6	7	8	80	1	2	3	4	5	6	7	8
31	1	2	3	4	5	6	7	8	81	1	2	3	4	5	6	7	8
32	1	2	3	4	5	6	7	8	82	1	2	3	4	5	6	7	8
33	1	2	3	4	5	6	7	8	83	1	2	3	4	5	6	7	8
34	1	2	3	4	5	6	7	8	84	1	2	3	4	5	6	7	8
35	1	2	3	4	5	6	7	8	85	1	2	3	4	5	6	7	8
36	1	2	3	4	5	6	7	8	86	1	2	3	4	5	6	7	8
37	1	2	3	4	5	6	7	8	87	1	2	3	4	5	6	7	8
38	1	2	3	4	5	6	7	8	88	1	2	3	4	5	6	7	8
39	1	2	3	4	5	6	7	8	89	1	2	3	4	5	6	7	8
40	1	2	3	4	5	6	7	8	90	1	2	3	4	5	6	7	8
41	1	2	3	4	5	6	7	8	91	1	2	3	4	5	6	7	8
42	1	2	3	4	5	6	7	8	92	1	2	3	4	5	6	7	8
43	1	2	3	4	5	6	7	8	93	1	2	3	4	5	6	7	8
44	1	2	3	4	5	6	7	8	94	1	2	3	4	5	6	7	8
45	1	2	3	4	5	6	7	8	95	1	2	3	4	5	6	7	8
46	1	2	3	4	5	6	7	8	96	1	2	3	4	5	6	7	8
47	1	2	3	4	5	6	7	8	97	1	2	3	4	5	6	7	8
48	1	2	3	4	5	6	7	8	98	1	2	3	4	5	6	7	8
49	1	2	3	4	5	6	7	8	99	1	2	3	4	5	6	7	8

# AUTOPLAY EVENT SCHEDULE

Location \_\_\_\_\_

Date \_\_\_\_\_

Fill in the Autoplay event times, delay times, categories, and volume changes before you make the actual scheduling changes.

Day: \_\_\_\_\_

Event	Time	Categories	Delay	Vol 1	Vol 2
1	_____	_____	_____	_____	_____
2	_____	_____	_____	_____	_____
3	_____	_____	_____	_____	_____
4	_____	_____	_____	_____	_____
5	_____	_____	_____	_____	_____
6	_____	_____	_____	_____	_____
7	_____	_____	_____	_____	_____
8	_____	_____	_____	_____	_____
9	_____	_____	_____	_____	_____
10	_____	_____	_____	_____	_____
11	_____	_____	_____	_____	_____
12	_____	_____	_____	_____	_____
13	_____	_____	_____	_____	_____
14	_____	_____	_____	_____	_____
15	_____	_____	_____	_____	_____
16	_____	_____	_____	_____	_____
17	_____	_____	_____	_____	_____
18	_____	_____	_____	_____	_____
19	_____	_____	_____	_____	_____
20	_____	_____	_____	_____	_____

**ROWE**  
**CD PHONO**  
**OPERATOR'S SET-UP SHEET**

**SUGGESTION:** Record any changes on this log and keep for future reference.

- INSTRUCTIONS -**
1. Items in parentheses do not appear on the digital display.
  2. Customer fills in blanks where program differs from factory settings.

MENU COMMAND	MENU NAME	FACTORY SETTINGS	OPERATOR CHANGES
<b>* SECURITY *</b>			
02	LVL 2 CODE	0000	_____
03	LVL 3 CODE	0000	_____
04	PHONO ID	0000	_____
05	VOID SRVC SW (ON/OFF)	OFF	_____
06	SECURITY IS (ON/OFF)	OFF	_____
<b>* ATTRACT *</b>			
20	ATTRACT MODE (ON/OFF)	ON	_____
21	PAGE MODE (AD/OFF/CHG)	AD	_____
22	CHANGE TIME (# MINUTES)	10	_____
23	DISPLAY PAGE (PAGE #)	1	_____
24	PAGE IN - OUT (1 - 9)	IN-1 OUT-9	IN _____ OUT _____
25	SPEED ON - SRV (1 - 9)	ON-4 SRV-6	ON _____ SRV _____
<b>* INITIALIZE *</b>			
35	SKIP LOG	05	_____
36	SKIP CANCEL	99	_____
37	TIME CANCEL	99	_____
38	TIME <sup>1</sup>	EASTERN STD.	_____ : _____
39	DATE <sup>2</sup>		_____ / _____ / _____
<b>* AUTO PLAY <sup>3</sup></b>			
40	AUTO PLAY IS (STD/ENH/OFF)	STD	_____
41	DELAY TIME (# MINUTES)	20	_____
42	START TIME (TIME OF DAY)	00:00	_____
43	STOP TIME (TIME OF DAY)	23:59	_____
44	ON DAYS	SMTWTFS	_____
45	PROGRAM	00 _____	00 _____ 01 _____ 02 _____ 03 _____
47	APLAY STATUS (ON/OFF)	ON	_____
48	(ENH APLAY)	=00 CAT 1.....	_____
49	SCHEDULE	SMTWTFS	_____
<b>* PRICING *</b>			
53	MULTIPLIER	5	_____
54	TIMED FPLAY (ON/OFF)	OFF	_____
55	FPLAY STATUS (ON/OFF)	OFF	_____
58	FREE SCH <sup>4</sup>	SMTWTFS	_____
<b>* COIN SW VALUES *</b>			
501	COIN SW 1	1	_____
502	COIN SW 2	2	_____
503	COIN SW 3	3	_____
504	COIN SW 4	10	_____
505	BILL 1	20	_____
506	BILL 2	100	_____
<b>* PRICE LEVELS *</b>			
511	LVL 1 PRICE	100	_____
512	LVL 2 PRICE	200	_____
513	LVL 3 PRICE	500	_____
514	LVL 4 PRICE	0	_____
515	LVL 5 PRICE	0	_____
<b>* PLAY @ LEVELS *</b>			
521	LVL 1 PLAYS	3	_____
522	LVL 2 PLAYS	7	_____
523	LVL 3 PLAYS	18	_____
524	LVL 4 PLAYS	0	_____
525	LVL 5 PLAYS	0	_____

MENU COMMAND	MENU NAME	FACTORY SETTINGS	OPERATOR CHANGES
<b>* OPTIONS *</b>			
60	LOCKOUTS (25 MAX) <sup>5</sup>	00 _____	00 _____ 01 _____ 02 _____ 03 _____
61	PRIORITY (10 MAX) <sup>5</sup>	00 _____	00 _____ 01 _____ 02 _____ 03 _____
62	PREMIUMS (25 MAX) <sup>5</sup>	00 _____	00 _____ 01 _____ 02 _____ 03 _____
63	KEEP CREDIT (ON/OFF)	ON	_____
64	KEEP MONEY (ON/OFF)	ON	_____
65	ALBUM SELECT (ON/OFF)	ON	_____
66	PRIORITY PLY (ON/OFF)	ON	_____
67	TRKS IN A ROW	2	_____
68	4 HOUR CLEAR (ON/OFF)	ON	_____
<b>* MORE OPTIONS 1*</b>			
690	PAID PLAY (FIFO/RAND)	FIFO	_____
691	FREE PLAY (RAND/FIFO)	RAND	_____
692	CLEAR TIME	240	_____
693	LOCKOUT COUNT	99	_____
694	PLAY LIMIT	0	_____
695	CANCEL APLAY (ON/OFF)	ON	_____
696	AP ONLY (25 MAX) <sup>5</sup>	00 _____	00 _____ 01 _____ 02 _____ 03 _____
697	DAYLIT (STD/NONSTD/OFF)	STD	_____
	DAYLIT ON (ONLY FOR NON STD)		_____
	DAYLIT OFF (ONLY FOR NON STD)		_____
698	AUTOMAT CLR (ON/OFF)	ON	_____
<b>* MORE OPTIONS 2*</b>			
6990	TIM LOCK (25 MAX) <sup>5</sup>	00 _____	00 _____ 01 _____ 02 _____ 03 _____
6991	LOCK SCH <sup>4</sup>	SMTWTFS	_____
6992	FREE ALBUM ON/OFF	OFF	_____
6993	"THANK YOU" ON/OFF	ON	_____
<b>* REPORTS *</b>			
78	BAUD RATE (600/1200/2400/4800/9600)	2400	_____
<b>* RF REMOTE *</b>			
90	RMT PAGING (ON/OFF)	ON	_____
91	RMT SELECT (ON/OFF)	ON	_____
92	RMT CREDIT	0	_____
93	RMT PAUSE (ON/OFF)	OFF	_____
94	PAUSE TIME	90	_____
95	RMT APLY OVR (ON/OFF)	ON	_____

<sup>1</sup> Time shows current time of day

<sup>2</sup> Date shows current month/day/year

<sup>3</sup> See Enhanced Autoplay Tutorial

<sup>4</sup> See Timed Free Play and Timed Lockout Scheduling Tutorial

<sup>5</sup> See Programming Autoplay, Premium, Priorities, and Lockouts