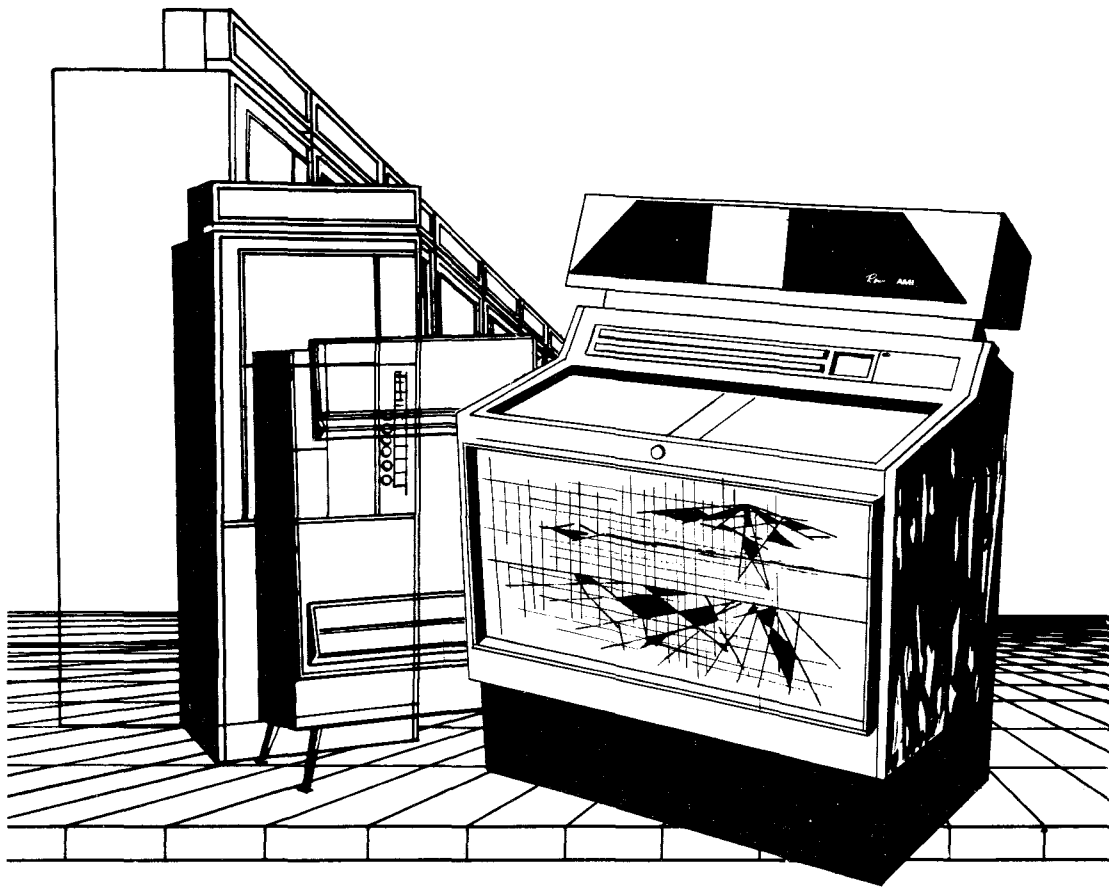


Rowe **MM2** MUSIC MASTER

PARTS CATALOG



ROWE MANUFACTURING, 75 TROY HILLS RD, WHIPPANY, N. J. 07981

PARTS
CATALOG

INTRODUCTION

This parts catalog contains illustrations and accompanying parts lists for the ROWE-AMI Phonograph. The parts breakdown is arranged in a logical disassembly order, beginning with the entire assembly or group and broken into subsequent sub-assemblies or groups. Each listing includes the index number of the part as used on the accompanying illustration, the service part number, a description of the part and the quantity as required for the next higher assembly. Parts that are permanently fastened together, such as welded or riveted assemblies, are available only as assemblies and are listed as such. An alternate part number is given in several places. This means, simply, that if the primary part is not available, the alternate part can be used.

HOW TO IDENTIFY AND ORDER REPLACEMENT PARTS

IDENTIFYING PARTS

The Table of Contents will help you locate the illustration on which the part appears. When you have located the part in the illustration, refer to the accompanying parts list to identify the part against the matching index number. The list will give the correct service part number, a description of the part, and the quantity used.

ORDERING REPLACEMENT PARTS

When ordering, specify the SERVICE PART NUMBER, ITEM DESCRIPTION, and QUANTITY of the replacement part you need. Do NOT include INDEX NO. or PAGE NO. You should also give the MODEL and SERIAL NUMBERS of the machine for which the parts are needed. This is important because of running development and manufacturing changes. Order all parts in this catalog directly from your local distributor. All replaced parts covered under warranty should be sent to your local distributor.

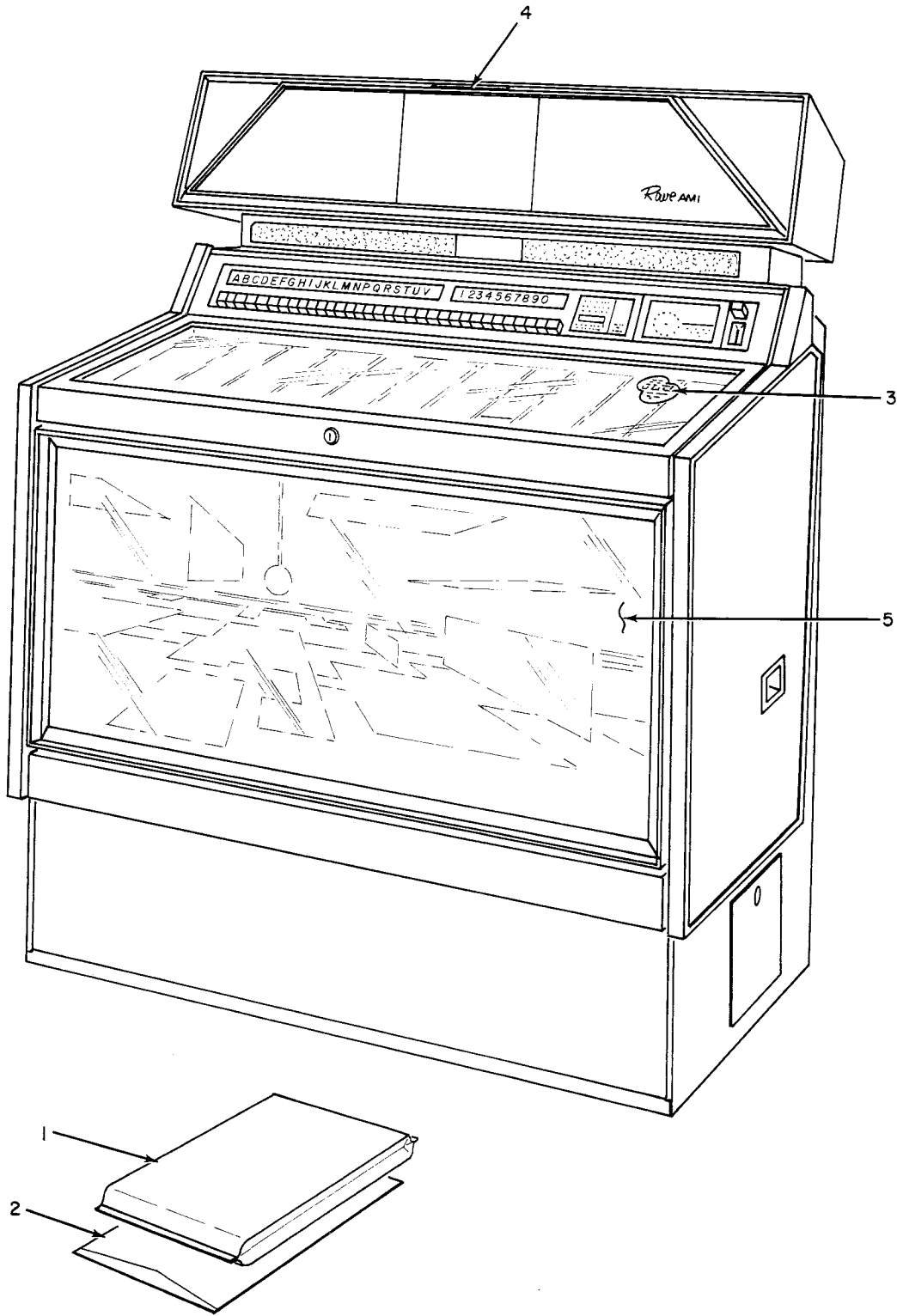
STANDARD HARDWARE

Standard parts, such as screws, washers, nuts, etc. are indexed on the exploded view illustrations with a letter. The identification of the part is given in abbreviated form on the accompanying parts list under STANDARD HARDWARE. The letter index can be used ONLY for its accompanying illustration and is not universal throughout the catalog. In other words, the index A will not

necessarily refer to the same part on one figure as it would on another.

TABLE OF CONTENTS

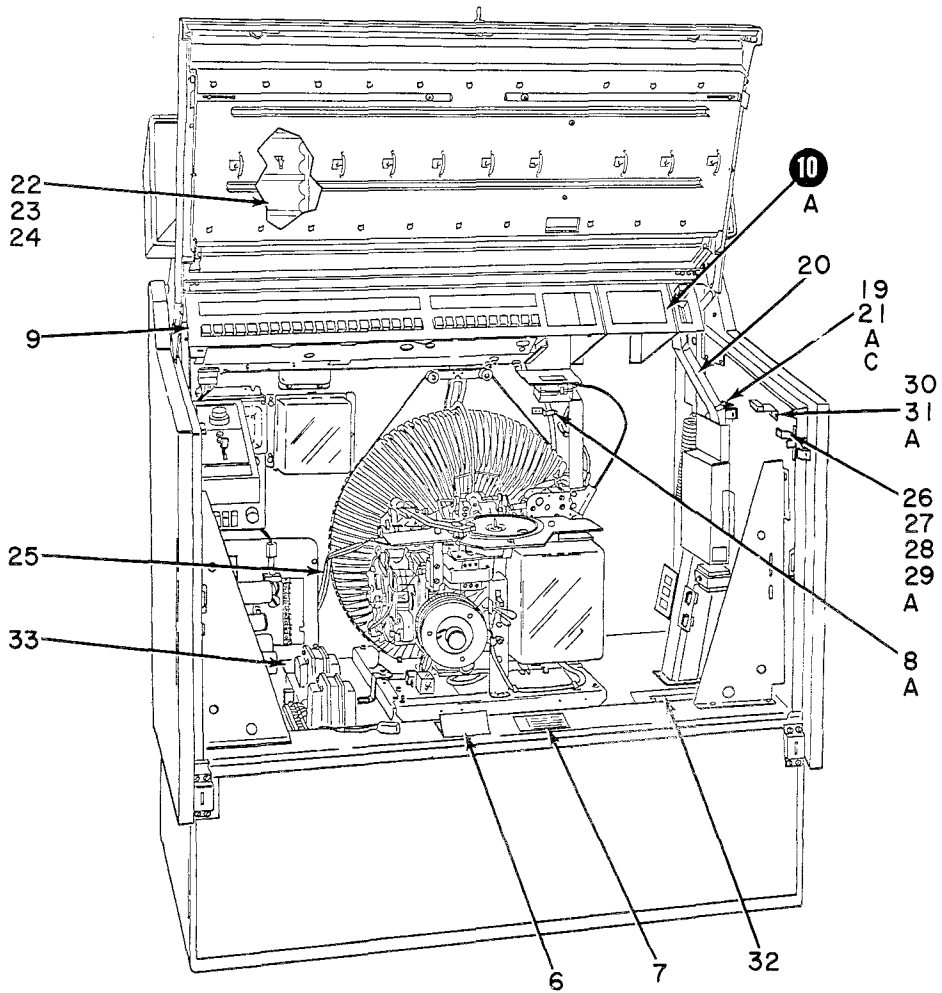
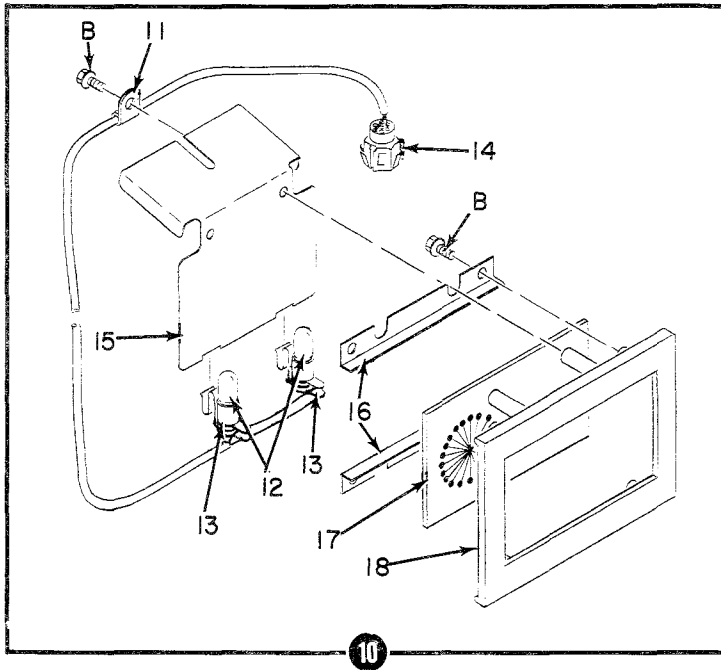
FIGURE		PAGE
	Introduction	
1	Machine Final Assembly	PC-2
2	Mechanism Assembly.	PC-12
3	Tone Arm Assembly	PC-21
4	Cam Switch and Motor Assembly	PC-22
5	Turntable Motor and Plate Assembly.	PC-24
6	Sprag Assembly	PC-25
7	Search Unit and Pinwheel Assembly	PC-26
8	Search Unit Assembly	PC-28
9	Stop Switch Assembly.	PC-32
10	Cable and Annunciator Assembly.	PC-34
11	Playmeter Assembly	PC-35
12	Scan Control Assembly.	PC-36
13	Title Rack Panel Assembly	PC-37
14	Top Door Assembly	PC-38
15	Front Door Assembly	PC-40
16	Selector and Trim Assembly	PC-42
17	Top Assembly	PC-44
18	Slide Projector Assembly.	PC-50
19	Cover and Lock Assembly	PC-52
20	Junction Box Assembly.	PC-53
21	Credit Unit Assembly	PC-54
22	Harness and Console Assembly	PC-56
23	Burglar Alarm Assembly.	PC-58
24	Shell Assembly	PC-60
25	Output Transformer Assembly 50W	PC-62
26	Stereo Amplifier Assembly 50W.	PC-64
27	Driver Board Assembly 50W	PC-66
28	Heat Sink Assembly 50W	PC-68
29	Pre-Amplifier Assembly	PC-70
30	Output Transformer Assembly 100W.	PC-72
31	Stereo Amplifier Assembly 100W	PC-74
32	Driver Board Assembly 100W.	PC-76
33	Heat Sink Assembly 100W	PC-78



Machine Final Assembly Sheet 1

**FIGURE
1**

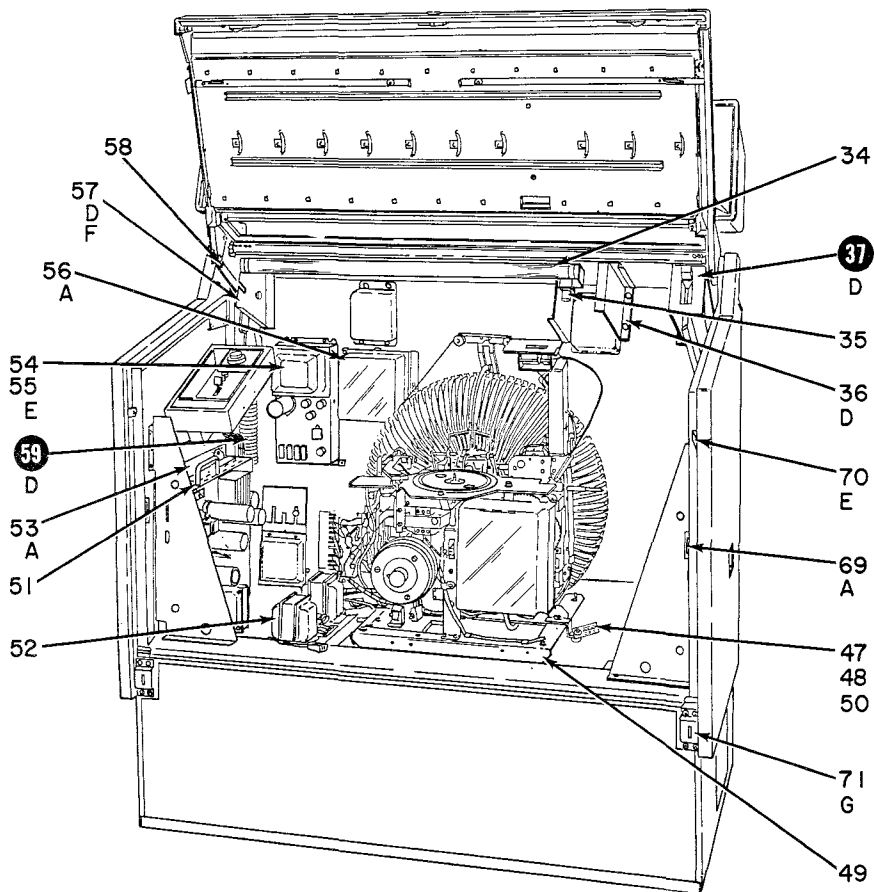
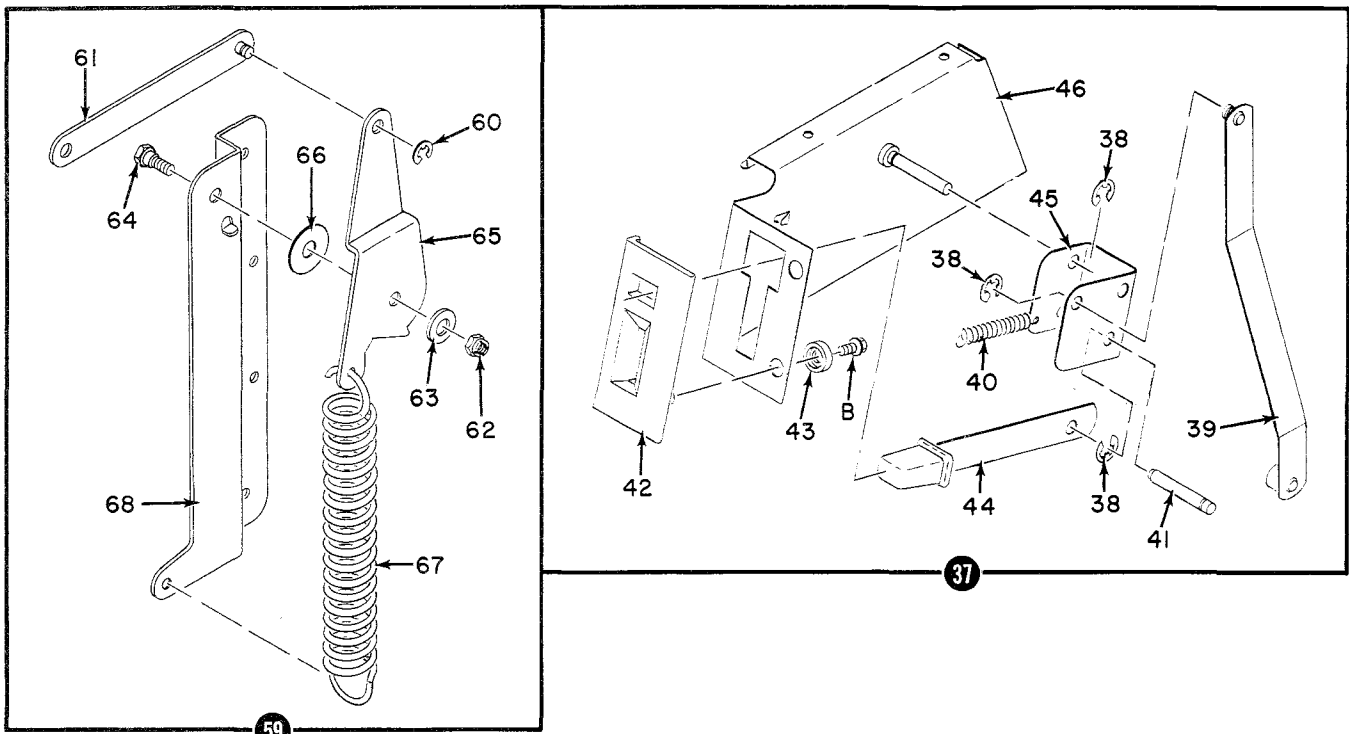
Index No.	ROWE PART NO.	DESCRIPTION	Qty Per Assy.
1-	601-03700	Phonograph Final Assembly	
-1	201-13916	. . Envelope and Card Assembly Containing:	1
	200-10628	. . . Card, Quality	1
	200-13321	. . . Label, Installation	1
	200-11328	. . . Card, Operator's Warranty	1
	201-13101		
	to		
	219-13101	. . . Classifier	1 ea.
	200-65130	. . . Code, Color, Title Strip	10
	725-01214	. . . Spacer	1
	205-11908	. . . Accessories Bag Assembly Containing:	1
	716-00913 Terminal, Slip-On	28
	200-11445 Fuse, 3.2 Amps	1
	710-00720 Fuse, Cartridge, 5 Amps	1
	703-00721 Fuse, Cartridge, 0.6 Amps	1
	708-00720 Fuse, Cartridge, 3 Amps	1
	716-00721 Fuse, Cartridge, 2.8 Amps	1
	721-00721 Fuse, Cartridge, 6.25 Amps	1
	703-00926 Contact, Socket	1
	704-00926 Contact, Pin	1
	725-01214 Spacer	1
-2	203-13058	. . Envelope Assembly Containing:	1
	200-14058	. . . Schematic, Phono	1
	200-14039	. . . Information, Credit	1
	200-14041	. . . Chart, Sound System	1
	200-09660	. . . Chart, Use of Amplifier Controls	1
	200-13052	. . . Chart, Speaker Power	1
-3	200-12947	. . Label, Duplex Plating	1
-4	200-14043	. . Label, Heat	1
-5	601-03783	. . Front Door Assembly (See Figure 15)	1



Machine Final Assembly Sheet 2

**FIGURE
1**

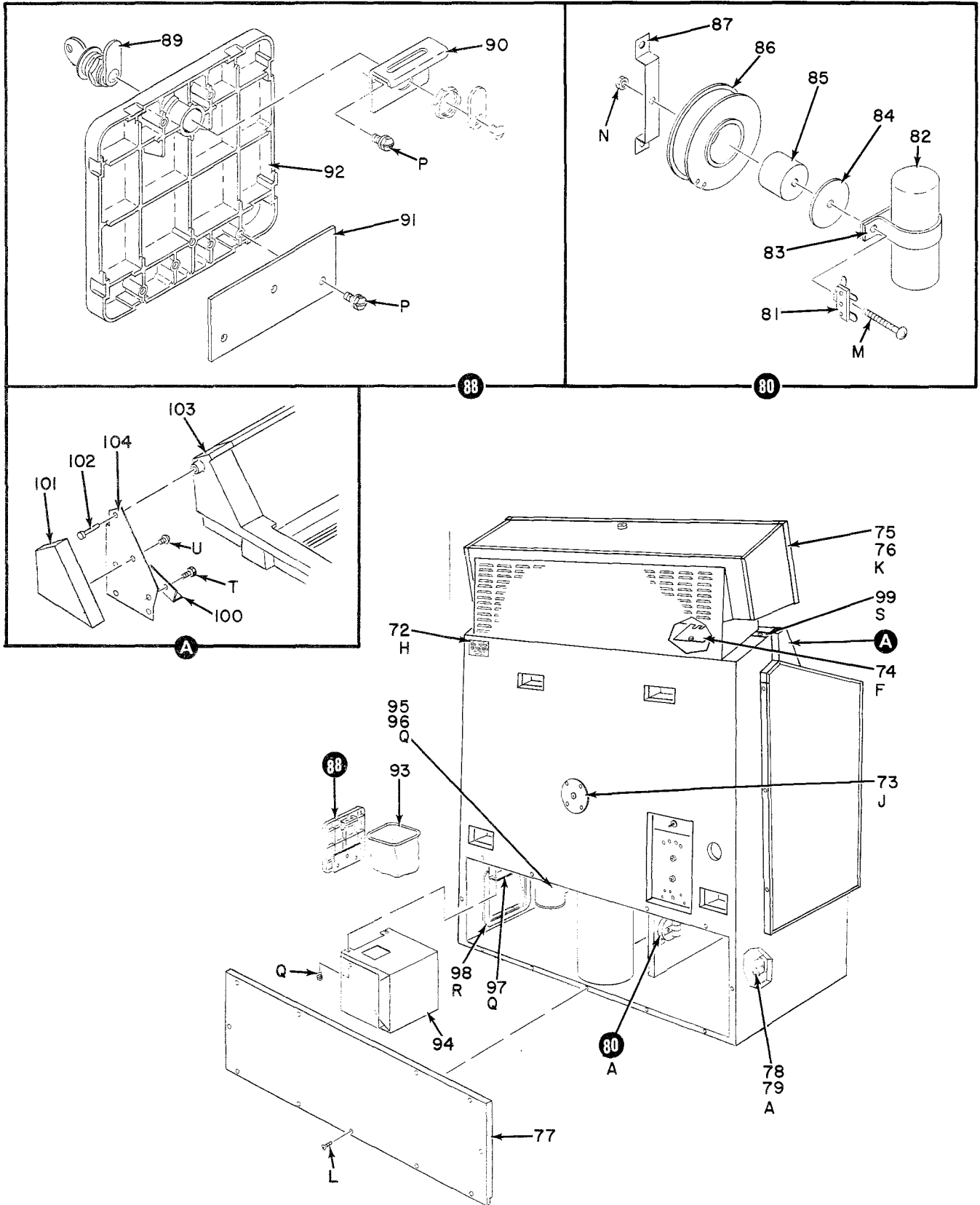
Index No.	ROWE PART NO.	DESCRIPTION	Qty Per Assy.
1-	601-03700	Phonograph Final Assembly (Continued)	
-6	200-13055	. Information, Switch Wiring	1
-7	200-14047	. Tag, Final Assembly	1
-8	201-08795	. Bracket, Retainer	2
-9	601-03777	. Selector and Trim Assembly (See Figure 16)	1
-10	401-06253	. Frame Assembly, Decorative	1
-11	701-00931	. . . Clamp, Cable	1
	301-06312	. . . Light Harness Assembly	1
-12	200-02232	. . . Light, Pilot, No. 47	2
-13	200-11800	. . . Socket, Light	2
-14	201-13541	. . . Housing, Cap, Combo-Line (7 Circuit)	1
-15	300-06229	. . . Bracket, Mounting	1
-16	200-13838	. . . Retainer, Nameplate	2
-17	200-13840	. . . Window, Decorative	1
-18	400-05723	. . . Frame, Decorative	1
-19	201-12636	. Strap	1
-20	401-05732	. Coin Chute Assembly	1
-21	200-13111	. Bracket, Mounting, Coin Inlet Chute	1
-22	301-05959	. Rack and Number Assembly (A1-V1)	1
	302-05959	. Rack and Number Assembly (A2-V2)	1
	303-05959	. Rack and Number Assembly (A3-V3)	1
	304-05959	. Rack and Number Assembly (A4-V4)	1
	305-05959	. Rack and Number Assembly (A5-V5)	1
	306-05959	. Rack and Number Assembly (A6-V6)	1
	307-05959	. Rack and Number Assembly (A7-V7)	1
	308-05959	. Rack and Number Assembly (A8-V8)	1
	310-05959	. Rack and Number Assembly (A9-V9)	1
	311-05959	. Rack and Number Assembly (A0-V0)	1
-23	301-05966	. . . Strip, Number (A1-V1)	1
	302-05966	. . . Strip, Number (A2-V2)	1
	303-05966	. . . Strip, Number (A3-V3)	1
	304-05966	. . . Strip, Number (A4-V4)	1
	305-05966	. . . Strip, Number (A5-V5)	1
	306-05966	. . . Strip, Number (A6-V6)	1
	307-05966	. . . Strip, Number (A7-V7)	1
	308-05966	. . . Strip, Number (A8-V8)	1
	310-05966	. . . Strip, Number (A9-V9)	1
	311-05966	. . . Strip, Number (A0-V0)	1
-24	601-03671	. . . Rack, Title Strip	1
-25	201-09257	. Tone Arm Cable and Plug Assembly	1
	200-03860	. . . Plug, Miniature (7 Pin)	1
	200-03861	. . . Hood	1
	200-13086	. . . Plug, Phono	2
	200-13085	. . . Sleeve, Grounding	2
-26	201-13923	. Latch Assembly (R. H.)	1
	201-13922	. Latch Assembly (L. H.)	1
-27	704-01430	. . . Ring, Retaining	1
-28	200-09285	. . . Spring, Torsion	1
-29	201-13984	. . . Latch and Plate Assembly (R. H.)	1
	201-13983	. . . Latch and Plate Assembly (L. H.)	1
-30	710-02119	. Rubber, Sponge	2
-31	200-14001	. Bracket, Title Panel Support	2
-32	200-13318	. Label, Stepper	1
-33	200-13056	. Label, Transformer	1
STANDARD PARTS			
A	86363010	Screw, Self-tapping, Round Wr. Hd., Phil. Sl., Type 17, #8 x 5/8	
B	82733005	Screw, Self-tapping, Hex Wr. Hd., Sems, Type 23, #8-32 x 5/16	
C	80733005	Screw, Machine, Hex Wr. Hd., Sems, #8-32 x 5/16	



Machine Final Assembly Sheet 3

**FIGURE
1**

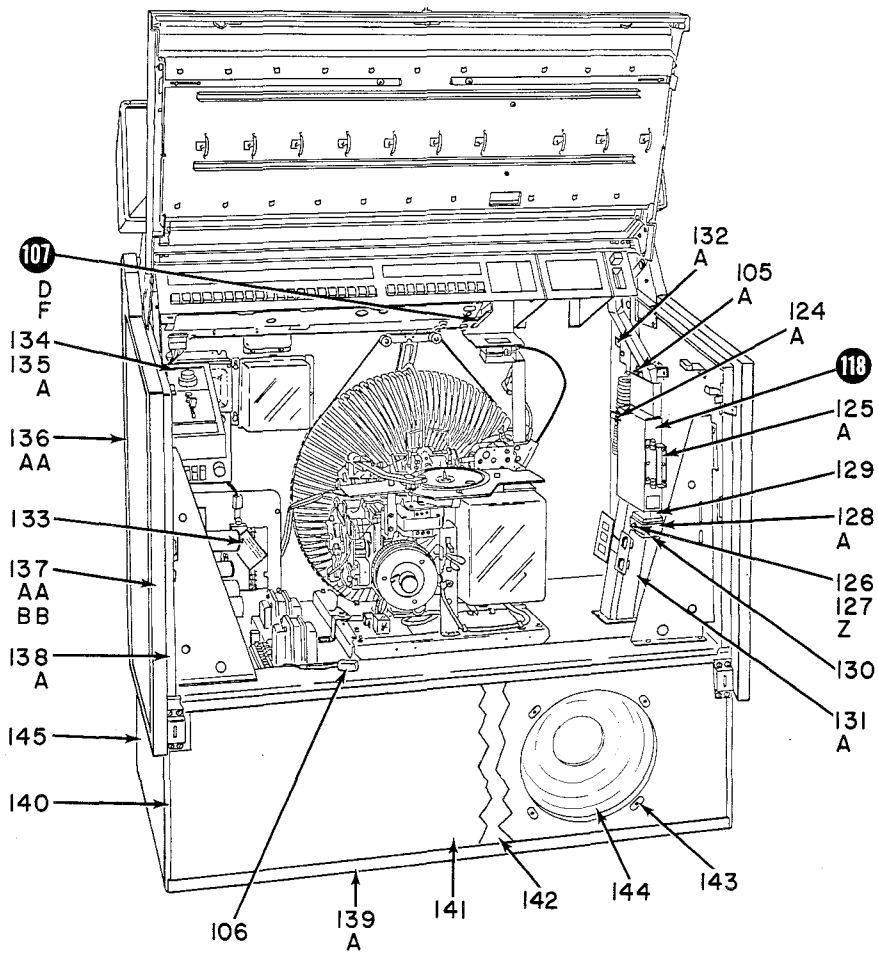
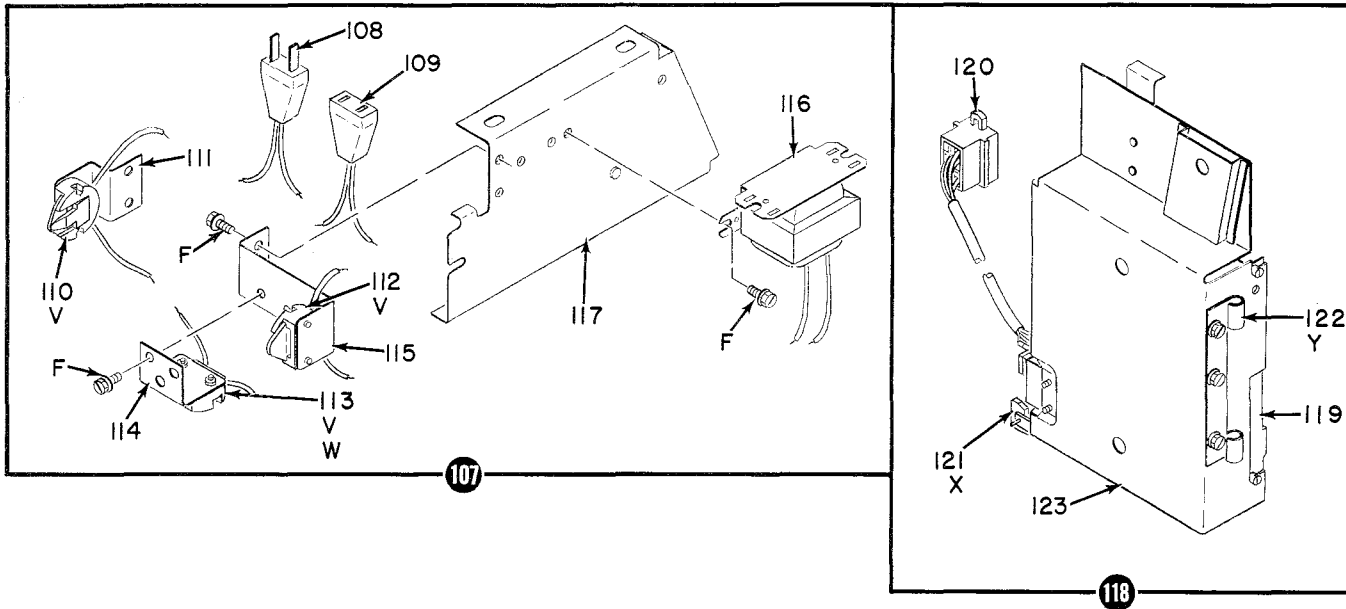
Index No.	ROWE PART NO.	DESCRIPTION	Qty. Per Assy.
1-	601-03700	Phonograph Final Assembly (Continued)	
-34	711-00601	. Lamp, Fluorescent, Type T-8, 19 W.	1
-35	703-00800	. Starter, Fluorescent, Type FS-25	1
-36	401-05724	. Bracket, Mounting (L. H.)	1
-37	401-05738	. Coin Inlet and Reject Assembly	1
-38	718-01430	. . Ring, Retaining	3
-39	201-13876	. . Scavenger Arm and Knob Assembly	1
-40	200-13251	. . Spring, Tension	1
-41	200-13811	. . Pivot, Blade	1
-42	400-05704	. . Trim, Coin Inlet	1
-43	200-13018	. . Washer, Cup	2
-44	201-13875	. . Reject Button and Blade Assembly	1
-45	300-06204	. . Bracket, Scavenge Arm	1
-46	301-06259	. . Bracket and Pivot Assembly	1
-47	200-12036	. Bolt, Tie-Down, Mechanism	2
-48	200-13320	. Tag, Warning	1
-49	608-03030	. Mechanism Assembly (See Figure 2)	1
-50	200-09863	. Spacer, Rubber	2
-51	601-03812	. Stereo Amplifier Assembly (50 W) (See Figure 26)	1
	601-03760	. Stereo Amplifier Assembly (100 W) (See Figure 31)	
-52	401-05770	. Output Transformer Assembly (50 W) (See Figure 25)	1
	601-03774	. Output Transformer Assembly (100 W) (See Figure 30)	
-53	401-02426	. Mounting Bracket Assembly, Amplifier	1
-54	401-05767	. Junction Box Assembly (See Figure 20)	1
-55	200-09256	. Bracket, Mounting, Junction Box	1
-56	603-03300	. Credit Unit Assembly (See Figure 21)	1
	702-00931	. Clamp, Cable	5
	703-00931	. Clamp, Cable	7
	704-00931	. Clamp, Cable	1
	705-00931	. Clamp, Cable	4
	706-00931	. Clamp, Cable	3
	707-00931	. Clamp, Cable	8
-57	301-06280	. Support and Pin Assembly (L. H.)	1
-58	700-01430	. Ring, Retaining	2
-59	401-05754	. Spring Assembly (L. H.)	1
	401-05755	. Spring Assembly (R. H.)	1
-60	718-01430	. . Ring, Retaining	1
-61	201-13899	. . Link and Pin Assembly	1
-62	204-13588	. . Nut, Stop, #1/4-20	1
-63	708-1214	. . Spacer	1
-64	200-13900	. . Pin, Lever	1
-65	300-06244	. . Lever, Spring (L. H.)	1
	300-06245	. . Lever, Spring (R. H.)	1
-66	719-01208	. . Washer, Plain	1
-67	300-06275	. . Spring, Extension	1
-68	300-06242	. . Support, Spring (L. H.)	1
	300-06243	. . Support, Spring (R. H.)	1
-69	200-13970	. Catch, Fall Stop	2
-70	200-13914	. Guide, Door	2
-71	200-13817	. Hanger	2
STANDARD PARTS			
A	86363010	Screw, Self-tapping, Round Wr. Hd., Phil. Sl., Type 17, #8 x 5/8	
B	82733005	Screw, Self-tapping, Hex Wr. Hd., Sems, Type 23, #8-32 x 5/16	
D	84354412	Screw, Self-tapping, Round Hd., Phil. Sl., Type A, #10 x 3/4	
E	86353010	Screw, Self-tapping, Round Hd., Phil. Sl., Type 17, #8 x 5/8	
F	82733006	Screw, Self-tapping, Hex Wr. Hd., Sems, Type 23, #8-32 x 3/8	
G	86363610	Screw, Self-tapping, Round Wr. Hd., Phil. Sl., Type 17, (Black Oxide), #8 x 5/8	



Machine Final Assembly Sheet 4

FIGURE
1

Index No.	ROWE PART NO.	DESCRIPTION	Qty. Per Assy.
1-	601-03700	Phonograph Final Assembly (Continued)	
-72	705-03110	. Nameplate	1
-73	202-12652	. Plate Assembly, Tie-Down	1
-74	200-14053	. Cover, Harness	1
-75	710-01200	. Washer, Flat	10
-76	601-03794	. Top Assembly (See Figure 17)	1
-77	300-06302	. Door, Access, Speaker Compartment	1
-78	200-09786	. Capacitor, AC Electrolytic, 32 MFD, 50 V	2
-79	712-00931	. Clamp, Cable	2
-80	301-06284	. Speaker Network Assembly	1
-81	200-13244	. . Strip, Terminal	1
-82	200-14006	. . Capacitor, AC Electrolytic, 48 MFD, 50 V	1
-83	712-00931	. . Clamp, Cable	1
-84	704-01200	. . Washer, Flat	1
-85	710-01211	. . Spacer	1
-86	201-10641	. . Inductor	1
-87	200-09297	. . Bracket	1
-88	203-11866	. Cash Box Door Assembly	1
-89	716-01600	. . Lock, Cylinder Type	1
-90	200-06695	. . Support, Lock	1
-91	200-07703	. . Bracket, Catch	1
-92	603-03267	. . Door, Cash Box	1
-93	300-03824	. Bag, Cash	1
-94	401-05773	. Enclosure Assembly	1
-95	200-13991	. Power Pack, Alarm	1
-96	200-14052	. Guide, Can	1
-97	601-03813	. Burglar Alarm Assembly (See Figure 23)	1
-98	403-05276	. Cash Box Door Frame	1
-99	200-13889	. Strap, Cover	1
-100	200-13833	. Support	2
-101	400-05705	. Cap, Trim (L. H.)	1
	400-05706	. Cap, Trim (R. H.)	1
-102	200-13882	. Pin, Hinge	2
-103	601-03776	. Top Door Assembly (See Figure 14)	1
-104	300-06213	. Plate, Hinge (L. H.)	1
	300-06214	. Plate, Hinge (R. H.)	1
STANDARD PARTS			
A	86363010	Screw, Self-tapping, Round Wr. Hd., Phil. Sl., Type 17, #8 x 5/8	
F	82733006	Screw, Self-tapping, Hex Wr. Hd., Sems, Type 23, #8-32 x 3/8	
H	89965308	Pin, Escutcheon, #8 x 1/2	
J	86364814	Screw, Self-tapping, Round Wr. Hd., Phil. Sl., Type 17, (Black Oxide), #10 x 7/8	
K	87844400	Nut, Hex, Keps, #10-32	
L	86363624	Screw, Self-tapping, Round Wr. Hd., Phil. Sl., Type 17 (Black Oxide), #8 x 1-1/2	
M	80359024	Screw, Machine, Round Hd., Phil. Sl., #8-32 x 1-1/2	
N	87843000	Nut, Hex, Keps, #8-32	
P	80733706	Screw, Machine, Hex Wr. Hd., Sems, #10-24 x 3/8	
Q	86683010	Screw, Self-tapping, Hex Wr. Hd., Type 17, #8 x 5/8	
R	86352308	Screw, Self-tapping, Round Hd., Phil. Sl., Type 17, #6 x 1/2	
S	86332708	Screw, Self-tapping, Oval Hd., Phil. Sl., Type 17 (Black Oxide) #6 x 1/2	
T	86364412	Screw, Self-tapping, Round Wr. Hd., Phil. Sl., Type 17, #10 x 3/4	
U	82343607	Screw, Self-tapping, Pan Hd., Phil. Sl., Type 23, (Black Oxide) #8-32 x 7/16	

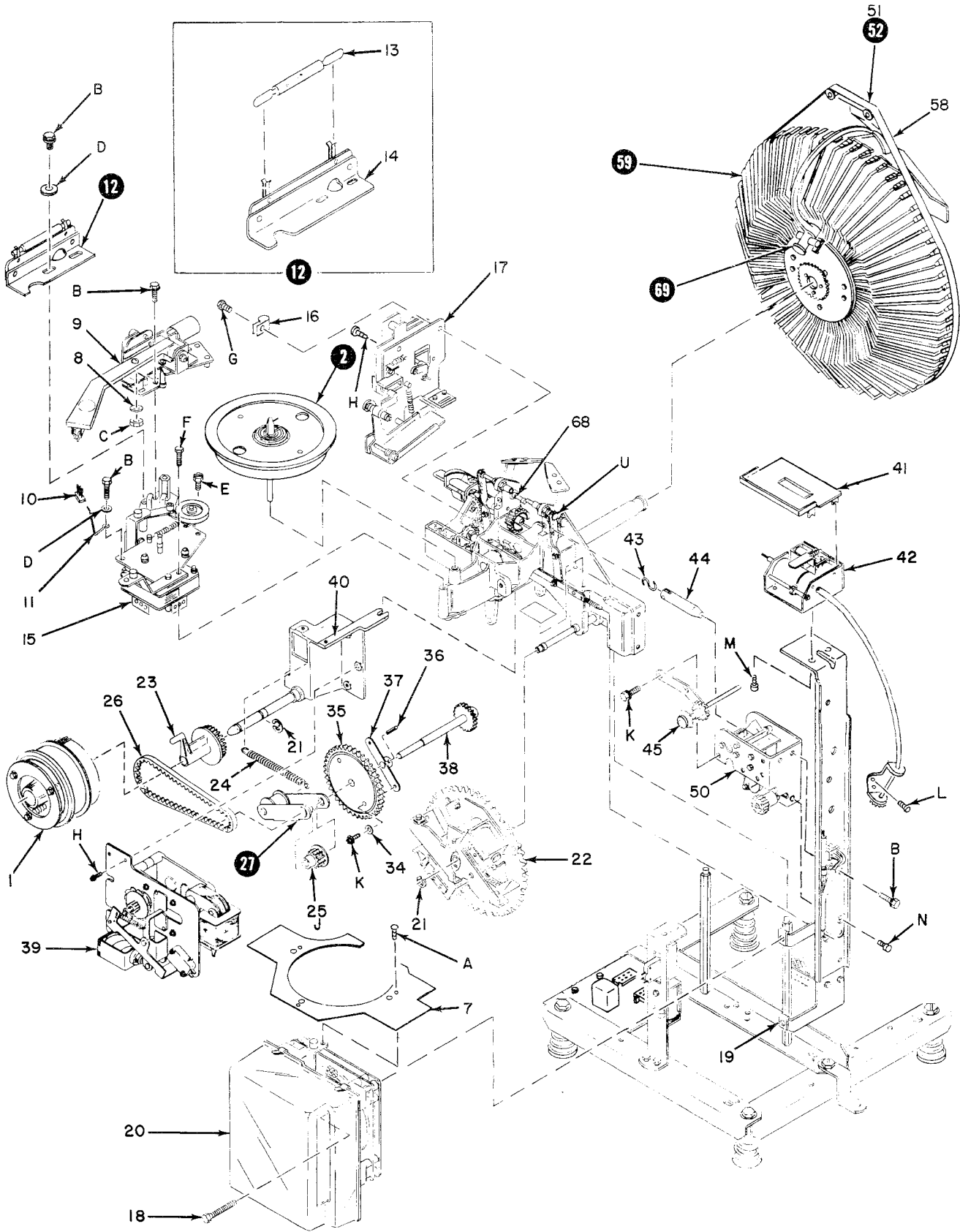


Machine Final Assembly Sheet 5

**FIGURE
1**

Index No.	ROWE PART NO.	DESCRIPTION	Qty. Per Assy.
1-	601-03700	Phonograph Final Assembly (Continued)	
-105	200-13808	. Bracket, Mounting	1
-106	301-06286	. Plug and Receptacle Assembly	1
-107	401-05737	. Support and Harness Assembly	1
-108	705-00501	. . Cord and Plug	1
-109	703-00507	. . Cord and Receptacle	1
-110	210-12931	. . Lampholder, Fluorescent Lamp	1
-111	200-13813	. . Bracket, Mounting, Lamp	1
-112	204-12931	. . Lampholder, Fluorescent Lamp	1
-113	200-00295	. . Socket, Starter	1
-114	200-13937	. . Bracket, Light, Front	1
-115	200-13814	. . Bracket, Light Mounting	1
-116	301-13203	. . Ballast, 118 V, 18 W	1
-117	301-06281	. . Support and Pin Assembly	1
-118	401-05794	. Rejector and Coin Switch Assembly	1
-119	400-05470	. . Rejector, Slug	1
-120	204-12445	. . Housing, Pin (12 Circuit)	1
-121	303-05745	. . Coin Switch Assembly	1
-122	200-12428	. . Hinge, Rejector	1
-123	401-05793	. . Mounting Bracket Assembly	1
-124	201-13078	. Catch Assembly (Rejector)	1
-125	201-13079	. Hinge and Pin Assembly	1
-126	200-05902	. Nut, Stop	1
-127	702-01200	. Washer, Flat	1
-128	200-11356	. Bracket, Slug Cup	1
-129	301-06043	. Shield, Coin, Slug Cup	1
-130	201-06463	. Slug Cup and Door Assembly	1
-131	301-06233	. Coin Chute Assembly (Lower)	1
-132	200-14082	. Lever, Friction	2
-133	200-14068	. Label, Remote Volume Control	1
-134	601-03803	. Harness and Console Assembly (See Figure 22)	1
-135	200-05871	. Clip, Molding, Retaining	2
-136	400-05710	. Trim, Rear (L. H.)	1
	400-05711	. Trim, Rear (R. H.)	1
-137	400-05708	. Trim, Front (L. H.)	1
	400-05709	. Trim, Front (R. H.)	1
-138	400-05716	. Support (L. H.)	1
	400-05717	. Support (R. H.)	1
-139	200-13843	. Trim, Lower Grille	1
-140	300-06234	. Trim, Grille (L. H.)	1
	300-06235	. Trim, Grille (R. H.)	1
-141	300-06264	. Grille, Lower	1
-142	200-13890	. Scrim, Lower Grille	1
-143	200-14044	. Screw, Machine, Speaker Mounting	8
-144	400-02437	. Speaker, Low Frequency	2
-145	601-03750	. Shell Assembly (See Figure 24)	1
STANDARD PARTS			
A	86363010	Screw, Self-tapping, Round Wr. Hd., Phil. Sl., Type 17, #8 x 5/8	
F	82733006	Screw, Self-tapping, Hex Wr. Hd., Sems, Type 23, #8-32 x 3/8	
V	80351606	Screw, Machine, Round Hd., Phil. Sl., #4-40 x 3/8	
W	87841600	Nut, Hex, Keps, #4-40	
X	80732304	Screw, Machine, Hex Wr. Hd., Sems, #6-32 x 1/4	
Y	80733003	Screw, Machine, Hex Wr. Hd., Sems, #8-32 x 3/16	
Z	80322310	Screw, Machine, Fillister Hd., Phil. Sl., #6-32 x 5/8	
AA	84332508	Screw, Self-tapping, Oval Hd., Phil. Sl., Type A, (Chrome Plate), #6 x 1/2	
BB	84353008	Screw, Self-tapping, Round Hd., Phil. Sl., Type A, #8 x 1/2	

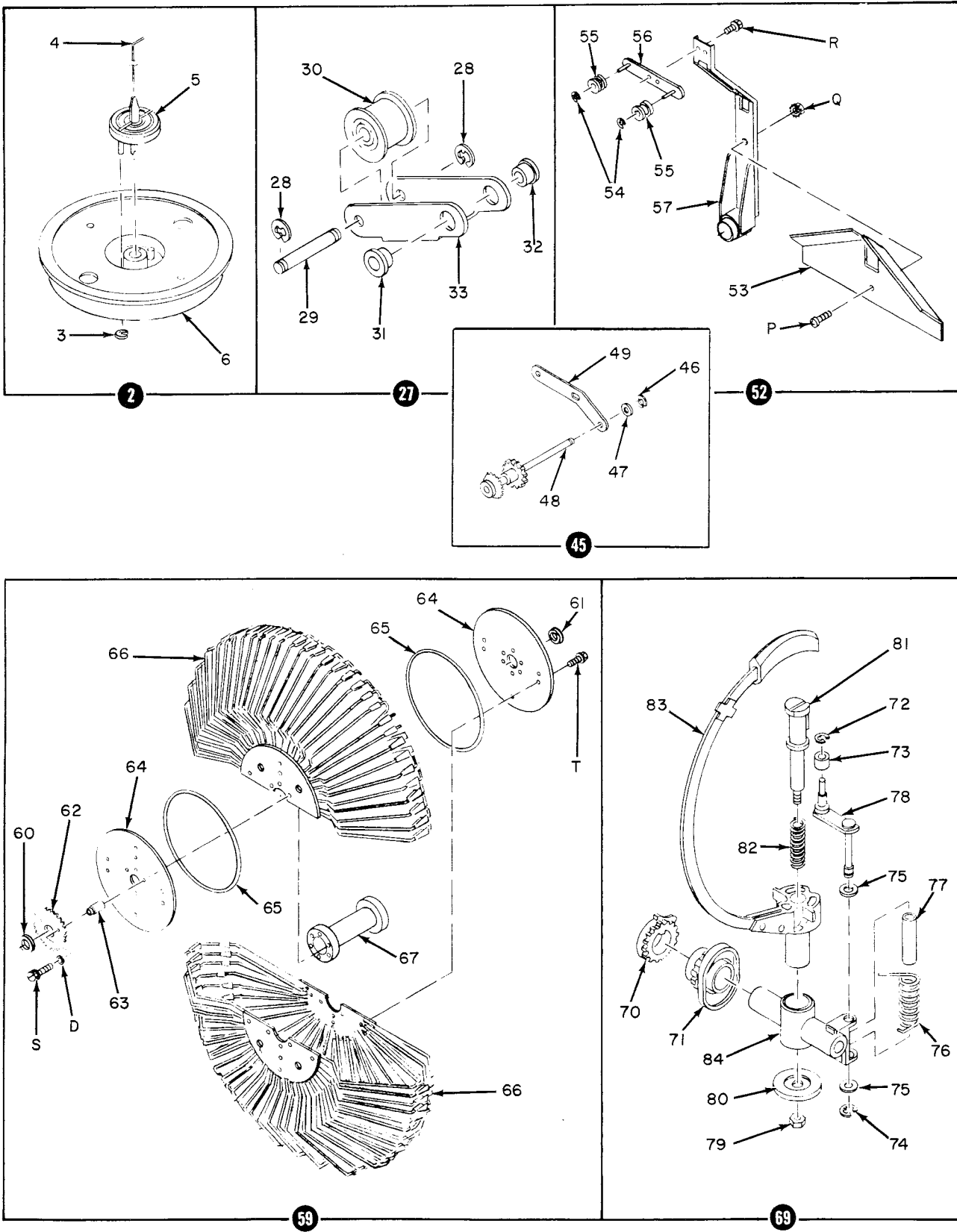
Mechanism Assembly Sheet 1



Mechanism Assembly Sheet 1

**FIGURE
2**

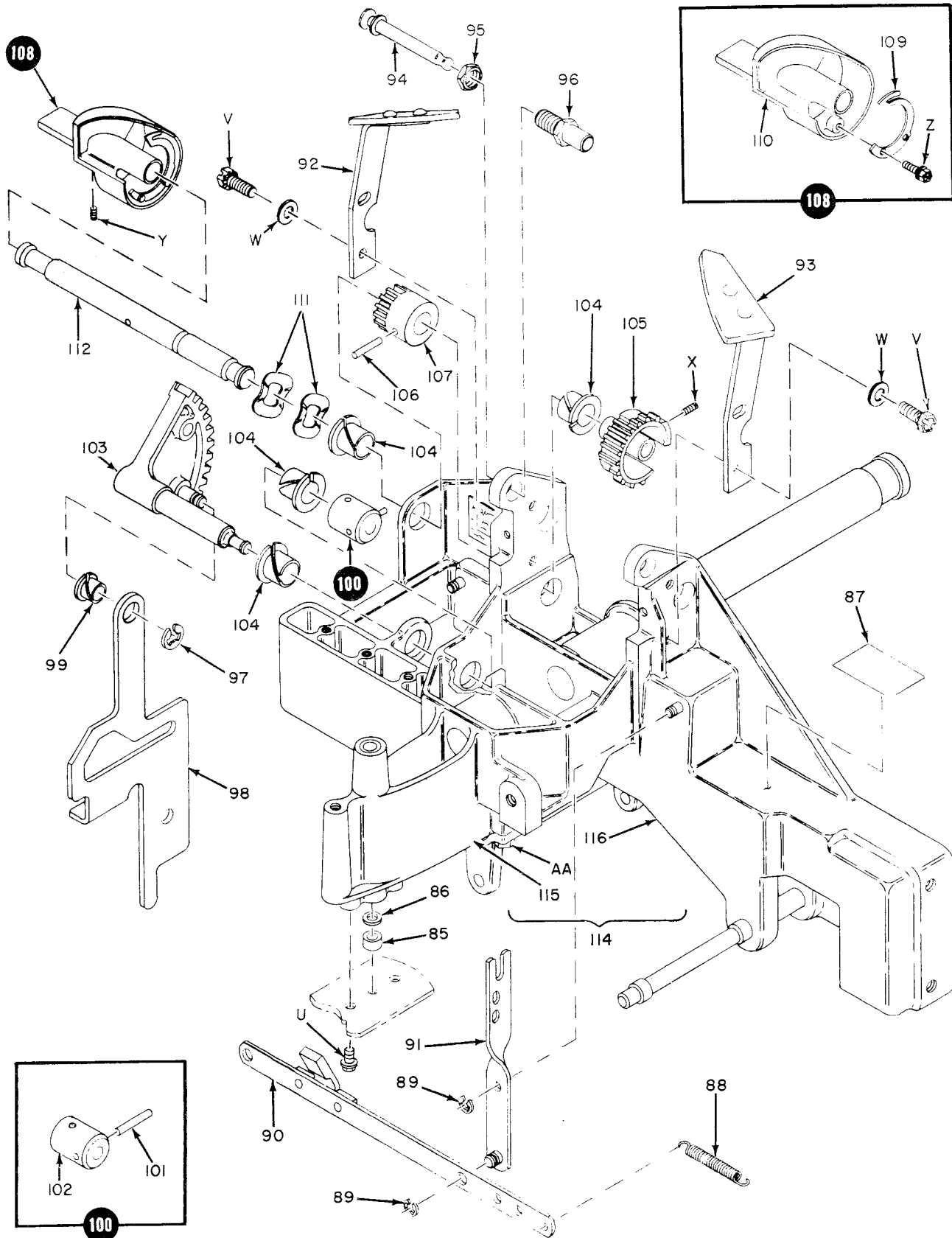
Index No.	ROWE PART NO.	DESCRIPTION	Qty. Per Assy.
2	608-03030	Mechanism Assembly (See Figure 1, Sheet 3)	REF
1	303-05465	. Playmeter Assembly (See Figure 11)	1
2	301-05661	. Turntable Assembly (See Sheet 2)	1
7	300-05233	. Trim, Mechanism	1
8	725-01206	. Washer, Fibre	1
9	303-05124	. Tone Arm Assembly (See Figure 3)	1
10	200-02182	. Brush	1
11	200-11569	. Clip, Brush	1
12	201-10891	. Cutoff Switch Assembly	1
13	200-10726	. . Switch, Reed	1
14	201-10917	. . Terminal Board and Bracket Assembly	1
15	403-05046	. Turntable Motor and Plate Assembly (See Figure 5)	1
16	703-00931	. Clamp, Cable	1
17	405-05616	. Cam Switch and Motor Assembly (See Figure 4)	1
18	200-10789	. Bolt, Mounting, # 1/4-20	3
19	200-11587	. Speednut, # 1/4-20	2
20	404-05012	. Search Unit and Pin Wheel Assembly (See Figure 7)	1
21	702-01430	. Ring, Retaining	2
22	401-05024	. Stop Switch Assembly (See Figure 9)	1
23	300-05149	. Pulley, Playmeter	1
24	200-10896	. Spring, Tension	1
25	200-10880	. Pulley	1
26	201-10878	. Belt	1
27	201-11012	. Idler Bracket Assembly (See Sheet 2)	1
34	719-01200	. Washer, Flat	2
35	301-05181	. Pinion and Plate Assembly	1
36	706-01130	. Pin, Roll	2
37	200-10826	. Hub, Gear	1
38	201-11000	. Magazine Drive Shaft Assembly	1
39	401-05022	. Sprag Assembly (Magazine Motor) (See Figure 6)	1
40	301-05125	. Motor Bracket Assembly	1
41	302-05909	. Trim, Annunciator	1
42	301-06289	. Cable and Annunciator Assembly (See Figure 10)	1
43	200-11513	. Link, Toggle Plunger	1
44	201-11515	. Plunger Assembly	1
45	201-11596	. Annunciator Drive and Bracket Assembly (See Sheet 2)	1
50	302-05111	. Scan Control Assembly (See Figure 12)	1
51	200-11500	. Screw	2
52	303-05169	. Guide and Belt Support Assembly (See Sheet 2)	1
58	201-10895	. Belt	1
59	602-03010	. Magazine Assembly (See Sheet 2)	1
68	200-10792	. Pin, Trunnion	2
69	401-05390	. Gripper Bow and Trunnion Assembly (See Sheet 2)	1
STANDARD PARTS			
A	80373506	Screw, Machine, Truss Hd., Phil. Sl., # 8-32 x 3/8	
B	80733004	Screw, Machine, Hex Wr. Hd., Sems, # 8-32 x 1/4	
C	87832300	Nut, Hex, # 6-32	
D	88933000	Washer, Flat, # 8	
E	82684406	Screw, Self-Tapping, Hex Wr. Hd., Type 23, # 10-32 x 3/8	
F	82684408	Screw, Self-Tapping, Hex Wr. Hd., Type 23, # 10-32 x 1/2	
G	80734408	Screw, Machine, Hex Wr. Hd., Sems, # 10-32 x 1/2	
H	80434408	Screw, Machine, Hex Wr. Hd., Swage Form, # 10-32 x 1/2	
J	80782303	Screw, Set, Socket Hd., Cup Pt., # 6-32 x 3/16	
K	80733005	Screw, Machine, Hex Wr. Hd., Sems, # 8-32 x 5/16	
L	80733014	Screw, Machine, Hex Wr. Hd., Sems, # 8-32 x 7/8	
M	82682306	Screw, Self-Tapping, Hex Wr. Hd., Type 23, # 6-32 x 3/8	
N	80733006	Screw, Machine, Hex Wr. Hd., Sems, # 8-32 x 3/8	
U	82342716	Screw, Self-Tapping, Pan Hd., Phil. Sl., Type 23, # 6-32 x 1	



Mechanism Assembly Sheet 2

FIGURE
2

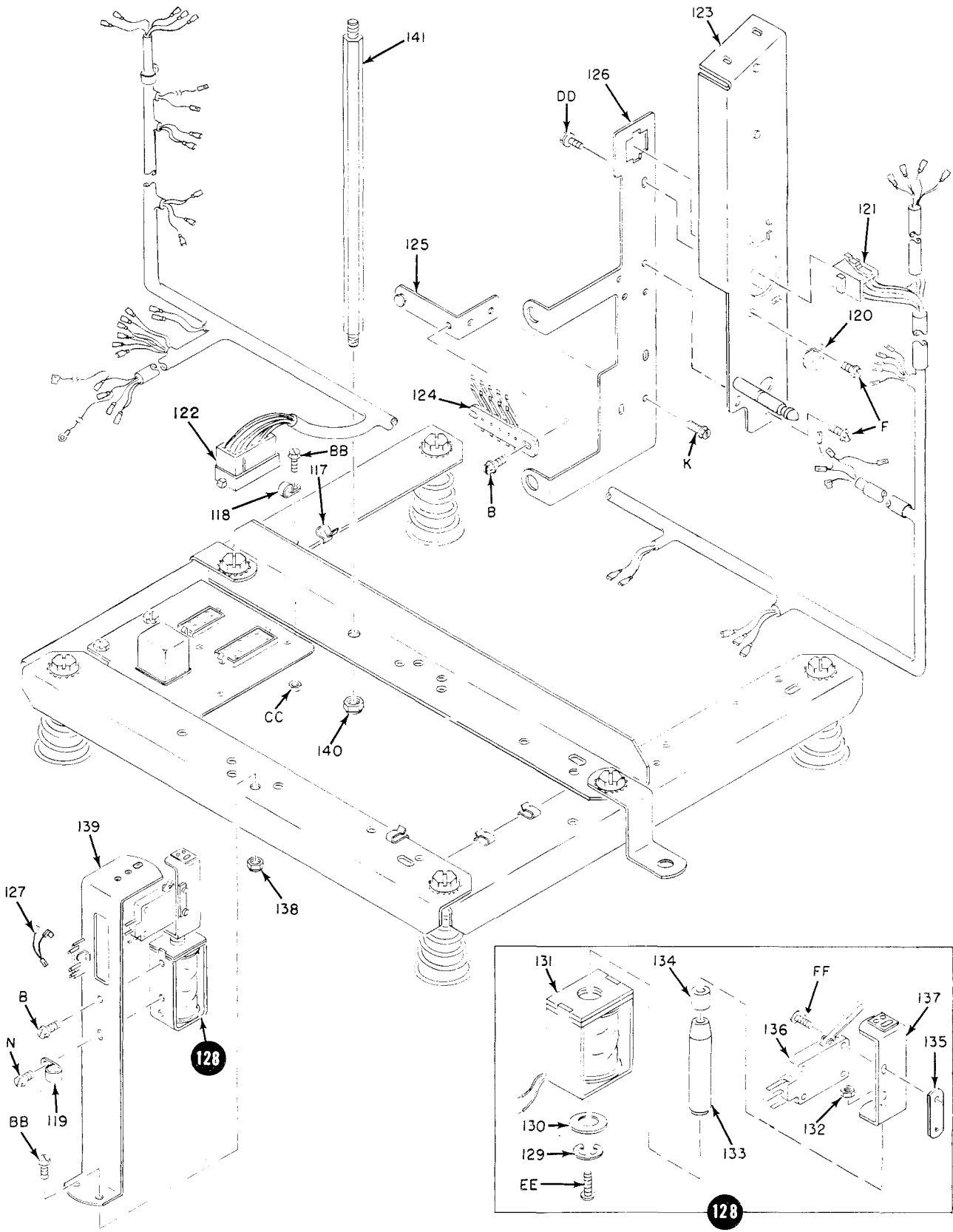
Index No.	ROWE PART NO.	DESCRIPTION	Qty. Per Assy.
2-			
2	301-05661	Turntable Assembly (See Sheet 1, Item 2)	REF.
3	701-01430	. Ring, Retaining	1
4	200-10867	. Wire, Trip	1
5	201-12554	. Hub	1
6	401-05373	. Turntable.	1
27	201-11012	Idler Bracket Assembly (See Sheet 1, Item 27)	REF.
28	703-01430	. Ring, Retaining	2
29	200-10879	. Pin, Idler	1
30	200-03843	. Roller, Belt	1
31	707-01460	. Bearing	1
32	706-01460	. Bearing	1
33	200-10877	. Bracket, Idler	1
45	201-11596	Annunciator Drive and Bracket Assembly (See Sheet 1, Item 45)	REF.
46	703-01430	. Ring, Retaining	1
47	703-01460	. Bearing	1
48	201-11590	. Drive, Annunciator	1
49	200-10999	. Bracket	1
52	302-05169	Guide and Belt Support Assembly (See Sheet 1, Item 52)	REF.
53	400-05049	. Stop, Record	1
54	703-01430	. Ring, Retaining	2
55	200-03843	. Roller, Belt	2
56	201-10894	. Roller Bracket Assembly.	1
57	301-05147	. Gripper Bow Assembly.	1
59	602-03010	Magazine Assembly (See Sheet 1, Item 59)	REF.
60	714-01460	. Bearing	1
61	701-01460	. Bearing	1
62	300-05191	. Gear	1
63	200-11518	. Spacer	3
64	300-05100	. Support, Separator	2
65	200-10803	. Ring, Cord	2
66	401-05044	. Separator Assembly	2
67	300-05101	. Support, Spacer	1
69	401-05390	Gripper Bow and Trunnion Assembly (See Sheet 1, Item 69)	REF.
70	300-05122	. Gear, Trunnion	1
71	400-05013	. Gear, Cam	1
72	707-01430	. Ring, Retaining	1
73	200-12537	. Roller	1
74	703-01430	. Ring, Retaining	1
75	721-01207	. Washer, Flat	2
76	200-12538	. Spring, Torsion.	1
77	200-12536	. Bearing, Sleeve	1
78	201-12532	. Pawl Lever and Shaft Assembly.	1
79	200-03103	. Nut, Stop	1
80	201-10815	. Follower, Cam	1
81	201-10808	. Shoe, Inner.	1
82	200-10811	. Spring, Record Release	1
83	301-05197	. Transfer Arm and Hub Assembly	1
84	301-05121	. Trunnion	1
STANDARD PARTS			
D	88933000	Washer, Flat, #8	
P	80374406	Screw, Machine, Truss Hd., Phil. Sl., # 10-32 x 3/8	
Q	87844400	Nut, Hex, Keps, # 10-32	
R	80734404	Screw, Machine, Hex Wr. Hd., Sems, # 10-32 x 1/4	
S	80433020	Screw, Machine, Hex Wr. Hd., Swage Form, # 8-32 x 1 1/4	
T	80433008	Screw, Machine, Hex Wr. Hd., Swage Form, # 8-32 x 1/2	



Mechanism Assembly Sheet 3

**FIGURE
2**

Index No.	ROWE PART NO.	DESCRIPTION	Qty. Per Assy.
2-	608-03030	Mechanism Assembly (Continued)	
85	200-10866	. Bearing, Spacer	1
86	200-10364	. Bearing, Thrust	1
87	201-11004	. Nameplate, Mechanism	1
88	200-10955	. Spring, Tension	1
89	703-01430	. Ring, Retaining	4
90	201-10823	. Cross Link and Stop Assembly	1
91	201-11517	. Link and Pin Assembly	2
92	201-11520	. Record Guide Assembly (Left Hand)	1
93	201-11521	. Record Guide Assembly (Right Hand)	1
94	200-11528	. Pin, Toggle	2
95	704-01301	. Nut	2
96	200-10817	. Bushing, Toggle Pin	2
97	704-01430	. Ring, Retaining	1
98	200-10793	. Link, Transfer	1
99	704-01460	. Bearing	1
100	201-10809	. Collar and Roll Pin Assembly	1
101	720-01101	. Pin, Roll	1
102	200-10799	. Collar	1
103	201-10800	. Segment Gear and Shaft Assembly	1
104	705-01460	. Bearing	4
105	400-05014	. Gear, Trunnion and Cam Drive	1
106	719-01130	. Pin, Roll	1
107	200-10794	. Gear, Camshaft	1
108	201-10892	. Tone Arm Cam Assembly	1
109	200-10909	. Spring	1
110	400-05008	. Cam	1
111	200-10820	. Washer, Wave	2
112	200-10791	. Shaft, Trunnion Drive	1
113	200-12665	. Label	1
114	403-05003	. Base Assembly	1
115	400-05105	. Support, Shaft	1
116	600-03001	. Base	1
STANDARD PARTS			
J	80782303	Screw, Set, Socket Hd., Cup Pt., # 6-32 x 3/16	
U	80734406	Screw, Machine, Hex Wr. Hd., Sems. # 10-32 x 3/8	
V	80732305	Screw, Machine, Hex Wr. Hd., Sems. # 6-32 x 5/16	
W	88932300	Washer, Flat, # 6	
X	80784404	Screw, Set, Socket Hd., Cup Pt., # 10-32 x 1/4	
Y	80783003	Screw, Set, Socket Hd., Cup Pt., # 8-32 x 3/16	
Z	82681604	Screw, Self-Tapping, Hex Wr. Hd., Type 23, # 4-40 x 1/4	
AA	82665714	Screw, Self-Tapping, Hex Wr. Hd., Type 23, # 1/4-20 x 7/8	



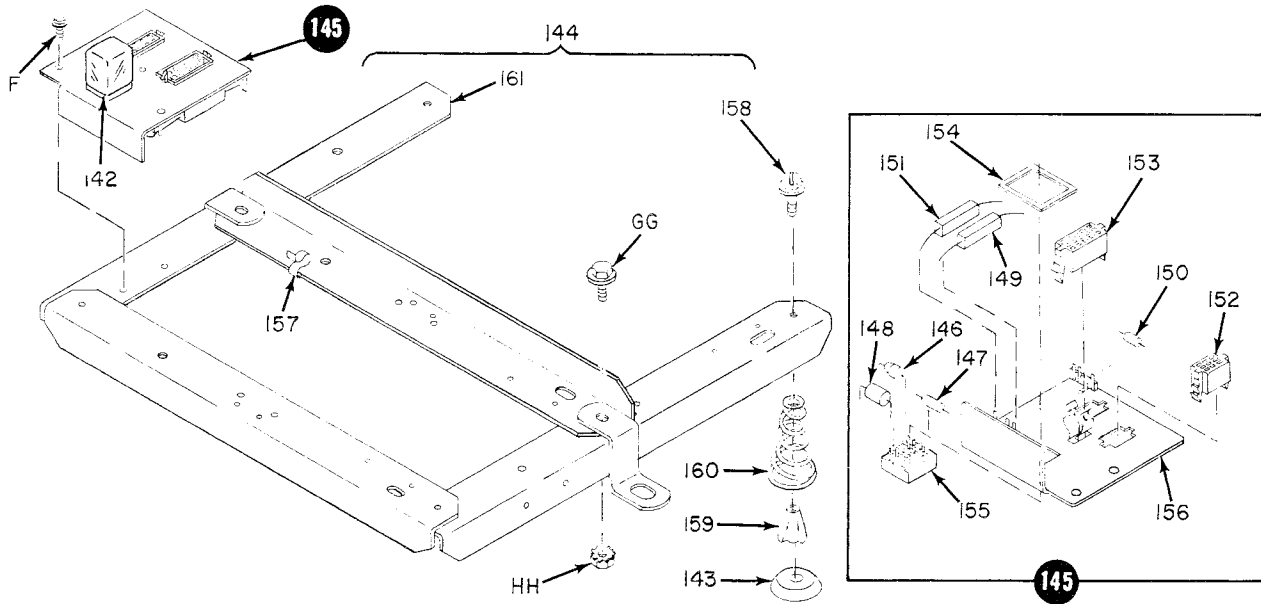
Mechanism Assembly Sheet 4

**FIGURE
2**

Index No.	ROWE PART NO.	DESCRIPTION	Qty. Per Assy.
2-	608-03030	Mechanism Assembly (Continued)	
117	200-07545	. Clip, Cable	1
118	705-00731	. Clamp, Cable	1
119	703-00931	. Clamp, Cable	3
120	701-00931	. Clamp, Cable	1
	404-05605	. Harness Assembly (Figure 4, Item 10)	REF.
121	202-12444	. . Housing, Socket (6 Circuit)	1
122	205-12445	. . Housing, Pin (15 Circuit)	1
123	301-06288	. Annunciator Bracket Assembly	1
124	201-10949	. Wiper Bracket Assembly	1
125	201-10893	. Mounting Bracket Assembly	1
126	400-05388	. Bracket, Search Unit	1
127	201-12586	. Wire and Termination Assembly	1
128	201-11011	. Hub Shift Assembly	1
129	702-01430	. . Ring, Retaining	1
130	710-01205	. . Washer, Flat	1
131	202-11505	. . Solenoid Assembly	1
132	200-10882	. . Nut, Stop	1
133	200-10862	. . Plunger	1
134	200-10861	. . Spacer	1
135	200-11017	. . Plate, Nut	1
136	200-10735	. . Microswitch	1
137	201-12609	. . Bracket, Switch	1
138	200-11014	. Nut, Lock	2
139	201-11694	. Terminal Strip and Bracket Assembly	1
140	200-11013	. Nut, Lock	2
141	200-10881	. Support, Mechanism	2
STANDARD PARTS			
B	80733004	Screw, Machine, Hex Wr. Hd., Sems, # 8-32 x 1/4	
F	82684408	Screw, Self-Tapping, Hex Wr. Hd., Type 23, # 10-32 x 1/2	
K	80733005	Screw, Machine, Hex Wr. Hd., Sems, # 8-32 x 5/16	
N	80733006	Screw, Machine, Hex Wr. Hd., Sems, # 8-32 x 3/8	
BB	80734408	Screw, Machine, Hex Wr. Hd., Sems, # 10-32 x 1/2	
CC	87834400	Nut, Hex. Keps, # 10-32	
DD	80682304	Screw, Machine, Hex Wr. Hd., # 6-32 x 1/4	
EE	80351610	Screw, Machine, Round Hd., Phil. Sl., # 4-40 x 5/8	
FF	80500508	Screw, Machine, Round Hd., Sems, Phil. Sl., # 2-56 x 1/2	

FIGURE 2

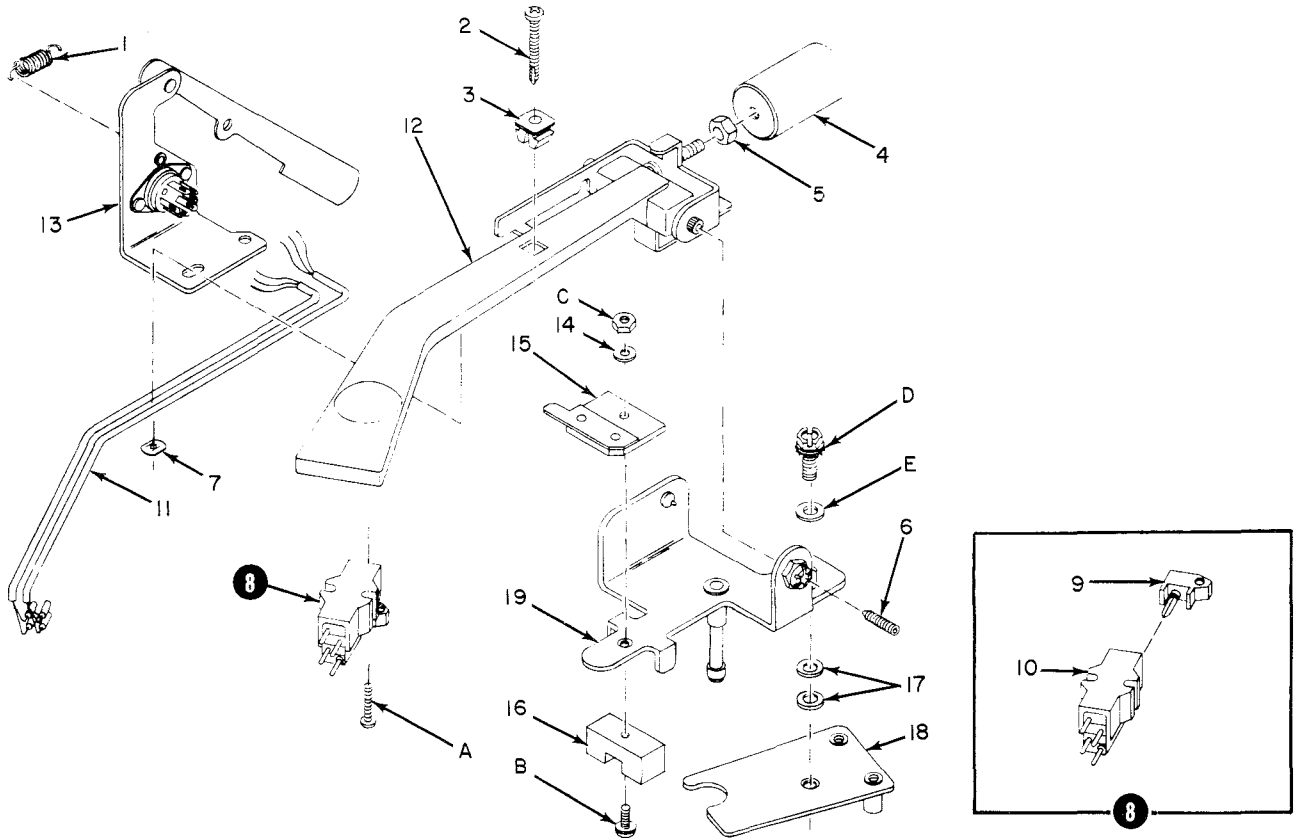
Mechanism Assembly Sheet 5



Index No.	ROWE PART NO.	DESCRIPTION	Qty. Per Assy.
2-	608-03030	Mechanism Assembly (continued)	
142	200-12751	. Relay Assembly	1
143	200-11537	. Support, Lower Spring	4
144	302-05634	. Mechanism Support and Spring Assembly	1
145	302-05622	. Relay Bracket Assembly	1
146	200-11145	. Diode, 100V, 1 Amp	2
147	703-00350	. Diode, Silicon, #1N457A	1
148	716-00105	. Resistor, Carbon, 100 ohms, 1W	1
149	707-00231	. Capacitor, Electrolytic, 30 MFD, 50 V.	1
150	722-00102	. Resistor, Carbon, 100 ohms, 1/2W	1
151	705-00115	. Resistor, Wire Wound Ceramic, 33 ohms, 7W	1
152	203-12444	. Housing, Socket, (9 Circuit).	1
153	205-12444	. Housing, Socket, (15 Circuits).	1
154	200-10475	. Retainer, Socket.	1
155	200-10474	. Socket, Relay	1
156	302-05623	. Bracket Assembly	1
157	200-07545	. Clip, Wire	6
158	200-11538	. Pin, Screw, Spring Support	4
159	200-06272	. Support, Spring	4
160	200-06128	. Spring	4
161	302-05142	. Mechanism Support Assembly	1
STANDARD PARTS			
F	82684408	Screw, Self-Tapping, Hex Wr. Hd., Type 23, # 10-32 x 1/2	
GG	80715710	Screw, Machine, Hex Wr. Hd., Sems, # 1/4-20 x 5/8	
HH	87845700	Nut, Hex Keps, # 1/4-20	

Tone Arm Assembly

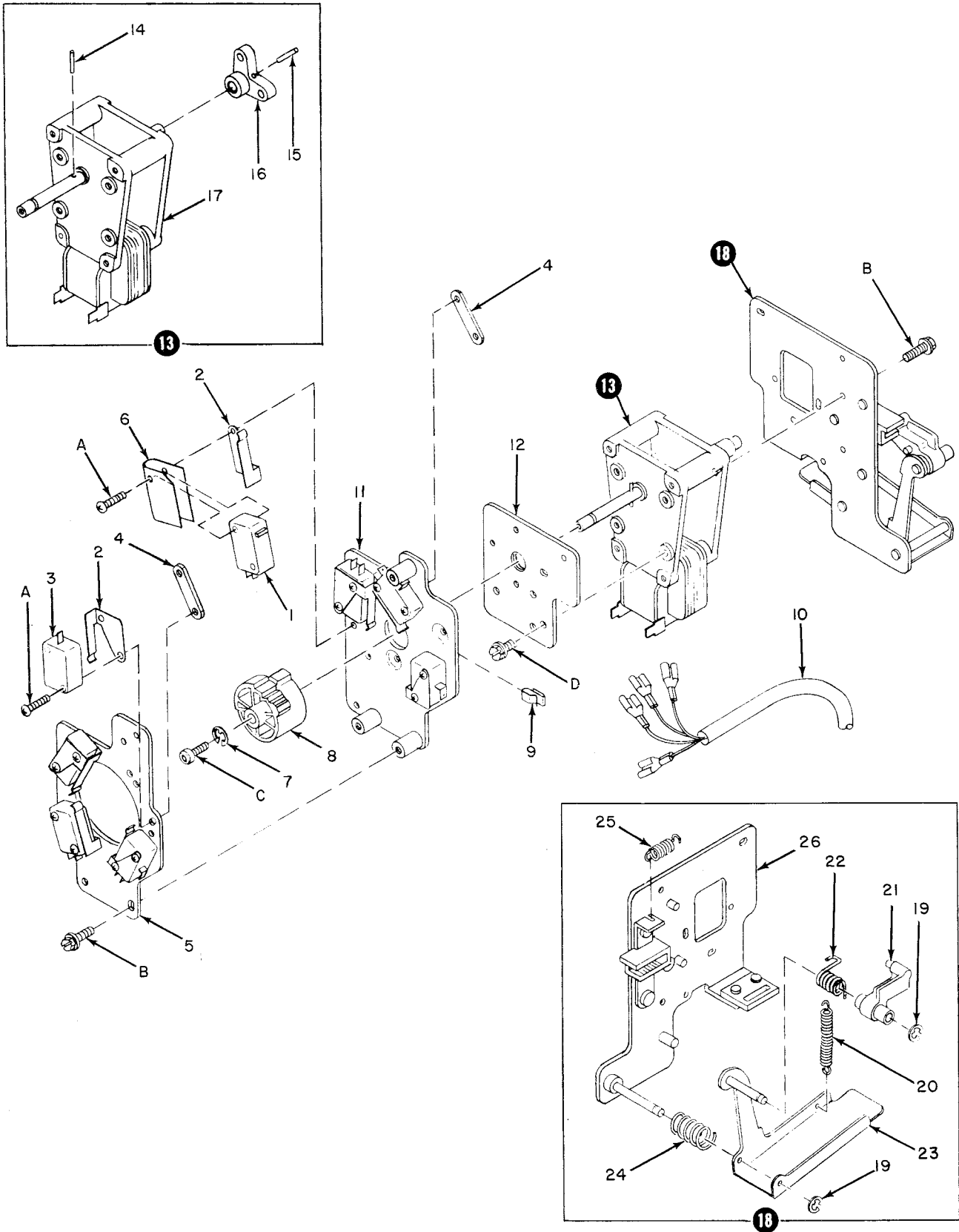
FIGURE 3



Index No.	ROWE PART NO.	DESCRIPTION	Qty. Per Assy.
3-	303-05124	Tone Arm Assembly (Figure 2, Item 9)	REF.
1	200-03713	. Spring, Tension	1
2	200-65025	. Screw, Contact	1
3	200-10725	. Nut, Snap-in	1
4	200-11585	. Counterweight	1
5	200-13306	. Nut	1
6	200-10712	. Screw, Pivot	1
7	200-10898	. Nut, Push-on	3
8	200-13011	. Cartridge, Stereo	1
9	200-13031	. Stylus	1
10	200-13011	. Cartridge	1
11	201-10874	. Cable	2
12	302-05118	. Arm and Lever Assembly	1
13	201-10785	. Bracket and Lever Assembly	1
14	724-01206	. Washer, Flat, #4	1
15	201-65023	. Blade, Contact	1
16	200-10724	. Magnet	1
17	719-01200	. Washer, Flat	AR
18	201-10727	. Cam Plate Assembly	1
19	201-10714	. Bracket and Shaft Assembly	1
STANDARD PARTS			
A	80311608	Screw, Machine, Fil. Hd., Phil. Sl., # 4-40 x 1/2	
B	80501610	Screw, Machine, Rd. Hd., Phil. Sl., # 4-40 x 5/8	
C	87832300	Nut, Hex, # 4-40	
D	80733005	Screw, Machine, Hex Wr. Hd., Sems, # 8-32 x 5/16	
E	88933000	Washer, Flat, #8	

**FIGURE
4**

Cam Switch and Motor Assembly



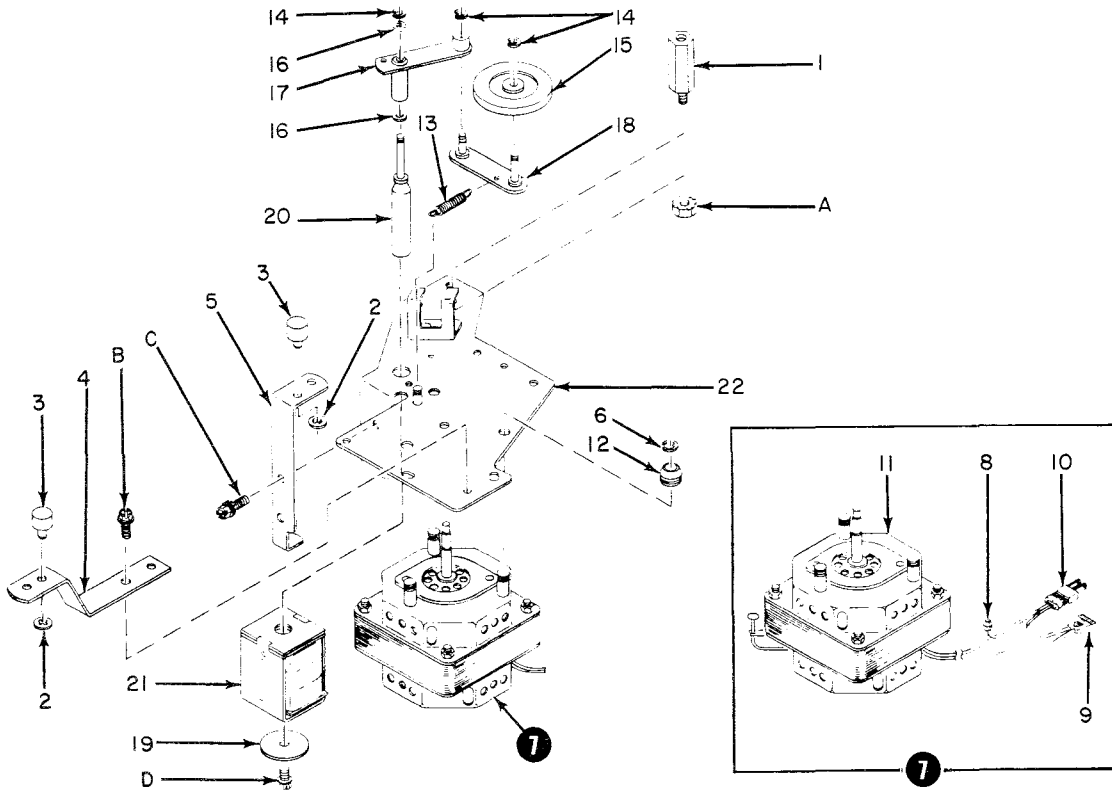
Cam Switch and Motor Assembly

**FIGURE
4**

Index No.	ROWE PART NO.	DESCRIPTION	Qty. Per Assy.
4-	405-05616	Cam Switch and Motor Assembly (Figure 2, Item 17)	REF.
1	200-10733	. Switch, Sensitive	7
2	200-10829	. Actuator, Switch	8
3	200-10732	. Switch, Sensitive	1
4	200-10830	. Nut, Plate	8
5	300-05126	. Plate, Switch Mounting	1
6	200-13309	. Insulator	1
7	704-01430	. Ring, Retaining	1
8	300-05676	. Cam, Switch	1
9	200-07545	. Clip, Cable	1
10	404-05605	. Harness Assembly - Mechanism (See Figure 2, Sheet 4 of 5)	1
11	201-10828	. Plate and Stud Assembly.	1
12	300-05214	. Plate, Mounting	1
13	201-11598	. Motor and Crank Assembly	1
14	706-01131	. . Pin, Roll	1
15	719-01130	. . Pin, Roll	1
16	202-10807	. . Crank and Pin Assembly	1
17	401-05059	. . Motor Assembly - Transfer	1
18	403-05129	. Motor Mounting Plate Assembly	1
19	703-01430	. . Ring, Retaining	2
20	200-10836	. . Spring	1
21	301-05024	. . Pawl, Ratchet	1
22	200-10835	. . Spring, Torsion	1
23	201-10834	. . Arm, Actuator	1
24	200-12075	. . Spring, Compression	1
25	200-03816	. . Spring, Tension	1
26	203-10833	. . Plate and Ratchet Assembly	1
STANDARD PARTS			
A	80351610	Screw, Machine, Round Hd., Phil. Sl., # 4-40 x 5/8	
B	80733005	Screw, Machine, Hex Wr. Hd., Sems, # 8-32 x 5/16	
C	80754808	Screw, Cap, Socket Hd., # 10-32 x 1/2	
D	80733004	Screw, Machine, Hex Wr. Hd., Sems, # 8-32 x 1/4	

**FIGURE
5**

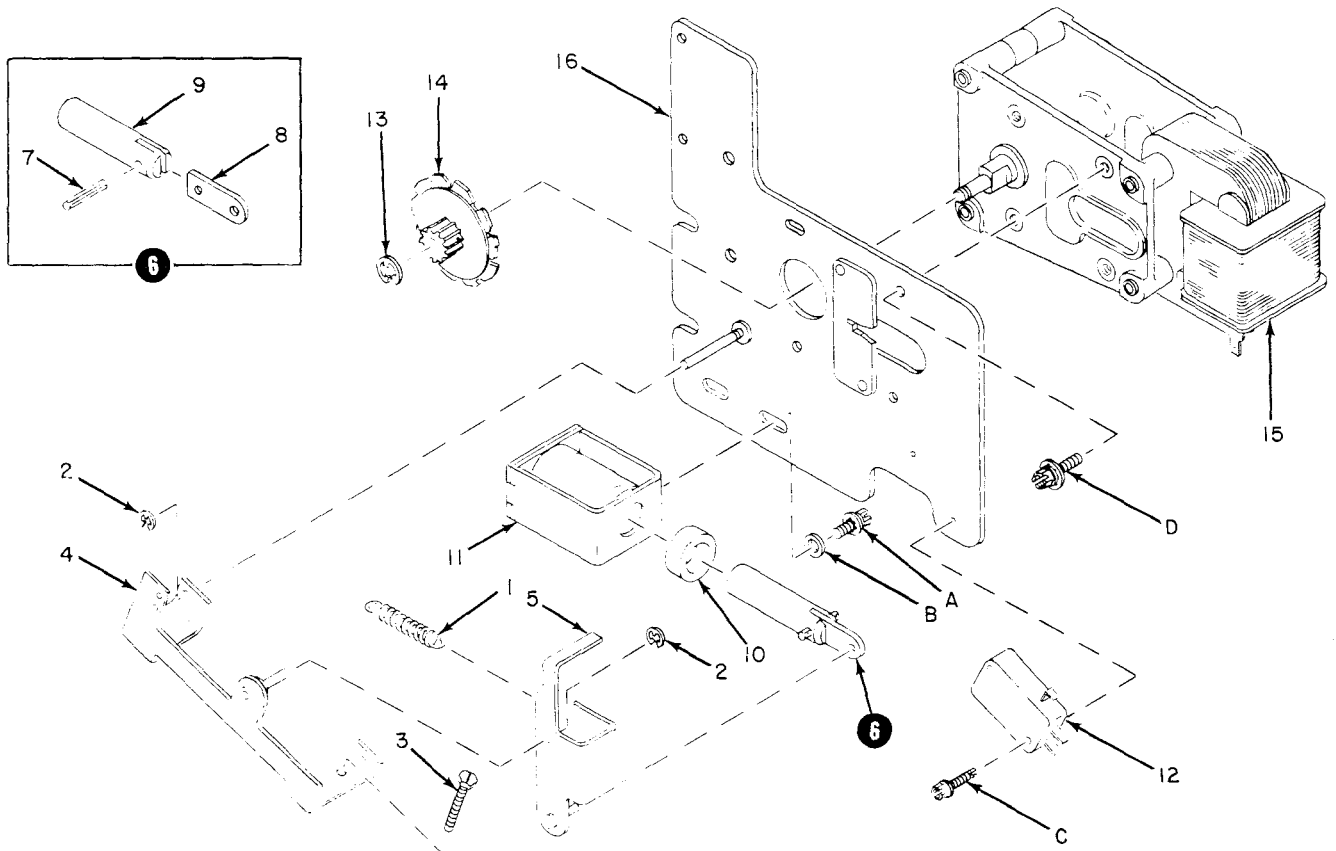
Turntable Motor and Plate Assembly



Index No.	ROWE PART NO.	DESCRIPTION	Qty. Per Assy.
5-	403-05046	Turntable Motor and Plate Assembly (Figure 2, Item 15)	REF.
1	201-10708	. Bearing, Tone Arm	1
2	200-10899	. Ring, Retaining	4
3	200-10897	. Rest, Gripper Bow	2
4	200-10890	. Bracket, Front Rest	1
5	200-10886	. Bracket	1
6	712-01430	. Ring, Retaining	3
7	302-06001	. Motor Assembly	1
8	707-00921	. . Connector, Solderless	1
9	704-00508	. . Cord and Receptacle Assembly	1
10	725-00500	. . Cord and Plug Assembly	1
11	300-05193	. . Motor, Turntable	1
12	200-11501	. Grommet	3
13	200-00907	. Spring, Tension	1
14	701-01430	. Ring, Retaining	3
15	201-10889	. Wheel, Idler	1
16	712-01213	. Washer	1
17	201-10887	. Link, Plunger	1
18	201-10888	. Link and Pin Assembly	1
19	714-01206	. Washer, Flat	1
20	201-08003	. Plunger, Solenoid	1
21	202-11505	. Coil, Speed Shift	1
22	301-05189	. Plate, Motor Mount	1
STANDARD PARTS			
A	87845700	Nut, Hex, Keps, # 1/4-20	
B	82684406	Screw, Self-Tapping, Hex Wr. Hd., Type 23, # 10-32 x 3/8	
C	80733005	Screw, Machine, Hex Wr. Hd., Sems, # 8-32 x 5/16	
D	82683006	Screw, Self-Tapping, Hex Wr. Hd., Type 23, # 8-32 x 3/8	

Sprag Assembly

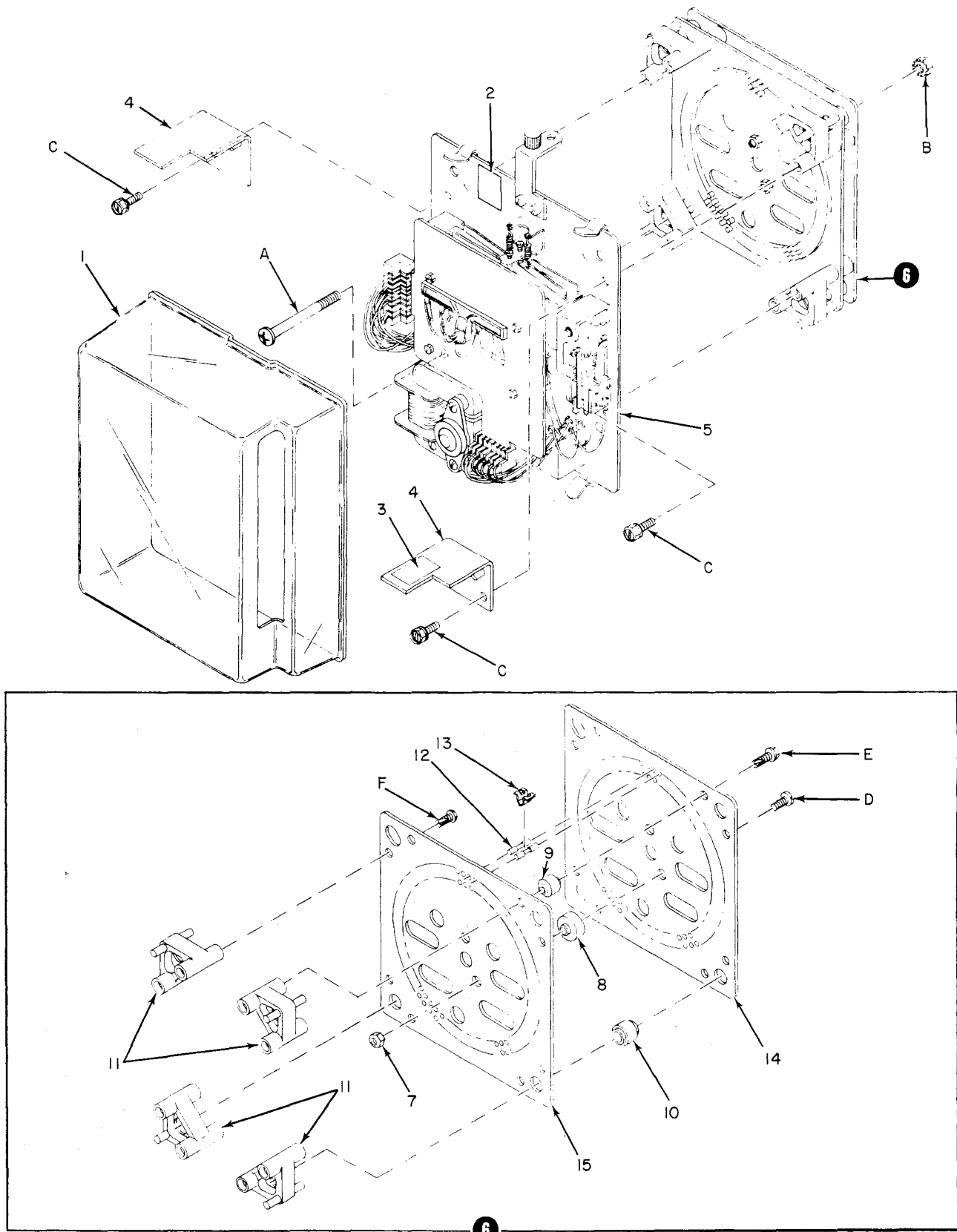
FIGURE 6



Index No.	ROWE PART NO.	DESCRIPTION	Qty. Per Assy.
6-	401-05022	Sprag Assembly (Figure 2, Item 39)	1
1	200-10843	. Spring Tension	1
2	705-01430	. Ring, Retaining	1
3	201-03822	. Screw, Adjusting	1
4	201-10855	. Sprag Link Assembly	1
5	201-10856	. Sprag Lever Assembly	1
6	201-10857	. Plunger Assembly	1
7	703-01130	. . Pin, Roll	1
8	200-06226	. . Link, Plunger	1
9	200-10848	. . Plunger, Solenoid	1
10	200-10849	. Stop, Plunger	1
11	201-11505	. Solenoid Assembly	1
12	200-10731	. Switch	1
13	703-01430	. Ring, Retaining	1
14	300-05133	. Wheel, Sprag	1
15	401-05055	. Magazine Motor Assembly	1
16	301-05135	. Sprag Bracket Assembly	1
STANDARD PARTS			
A	80733004	Screw, Machine, Hex Wr. Hd., Sems, # 8-32 x 1/4	
B	88933000	Washer, Flat, # 8	
C	80501610	Screw, Machine, Round Hd., Phil. Sl., Sems, # 4-40 x 5/8	
D	80733005	Screw, Machine, Hex Wr. Hd., Sems, # 8-32 x 5/16	

FIGURE
7

Search Unit and Pinwheel Assembly

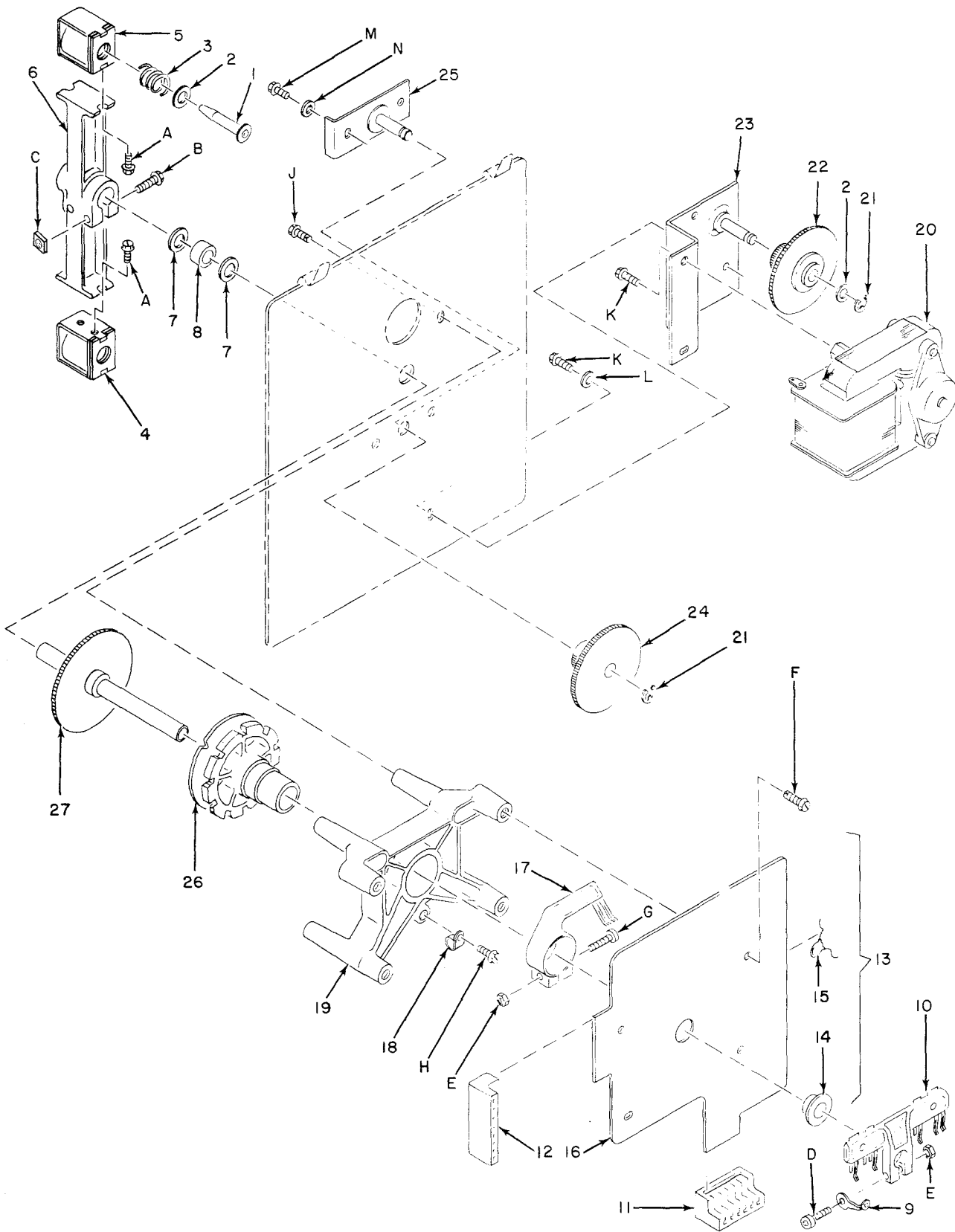


Search Unit and Pinwheel Assembly

**FIGURE
7**

Index No.	ROWE PART NO.	DESCRIPTION	Qty. Per Assy.
7-	404-05012	Search Unit and Pin Wheel Assembly (Figure 2, Item 20)	REF.
1	400-05052	. . Cover, Protective	1
2	200-11081	. . Label, Serial Number	1
3	200-12665	. . Label, Caution	1
4	200-11577	. . Bracket, Locating	2
5	601-03011	. . Search Unit Assembly (See Figure 8)	1
6	302-05190	. . Pinwheel Assembly	1
7	706-01301	. . Nut, Self Locking	2
8	200-10939	. . Spacer	2
9	708-01215	. . Spacer	7
10	200-11511	. . Spacer	4
11	200-10832	. . Support, Search Unit	4
12	200-10942	. . Pin, Selector	200
13	200-11072	. . Spring, Friction	100
14	202-13260	. . Plate Assembly - Pin Wheel	1
15	302-05157	. . Plate, Pin Wheel	1
STANDARD PARTS			
A	80345734	Screw, Machine, Pan Hd, Phil. Sl. . #1/4-20 x 2-1/8	
B	87845700	Nut, Hex, Keps, #1/4-20	
C	80743708	Screw, Machine, Hex Wr. Hd. Sems. Swage Form, #10-24 x 1/2	
D	80053009	Screw, Machine, Pan Hd, # 8-32 x 9/16	
E	82684412	Screw, Self Tapping, Hex Wr. Hd. Type 23, #10-32 x 3/4	
F	80384404	Screw, Self Tapping, Round Hd, Phil. Sl. , Wage Form, #10-32 x 1/4	

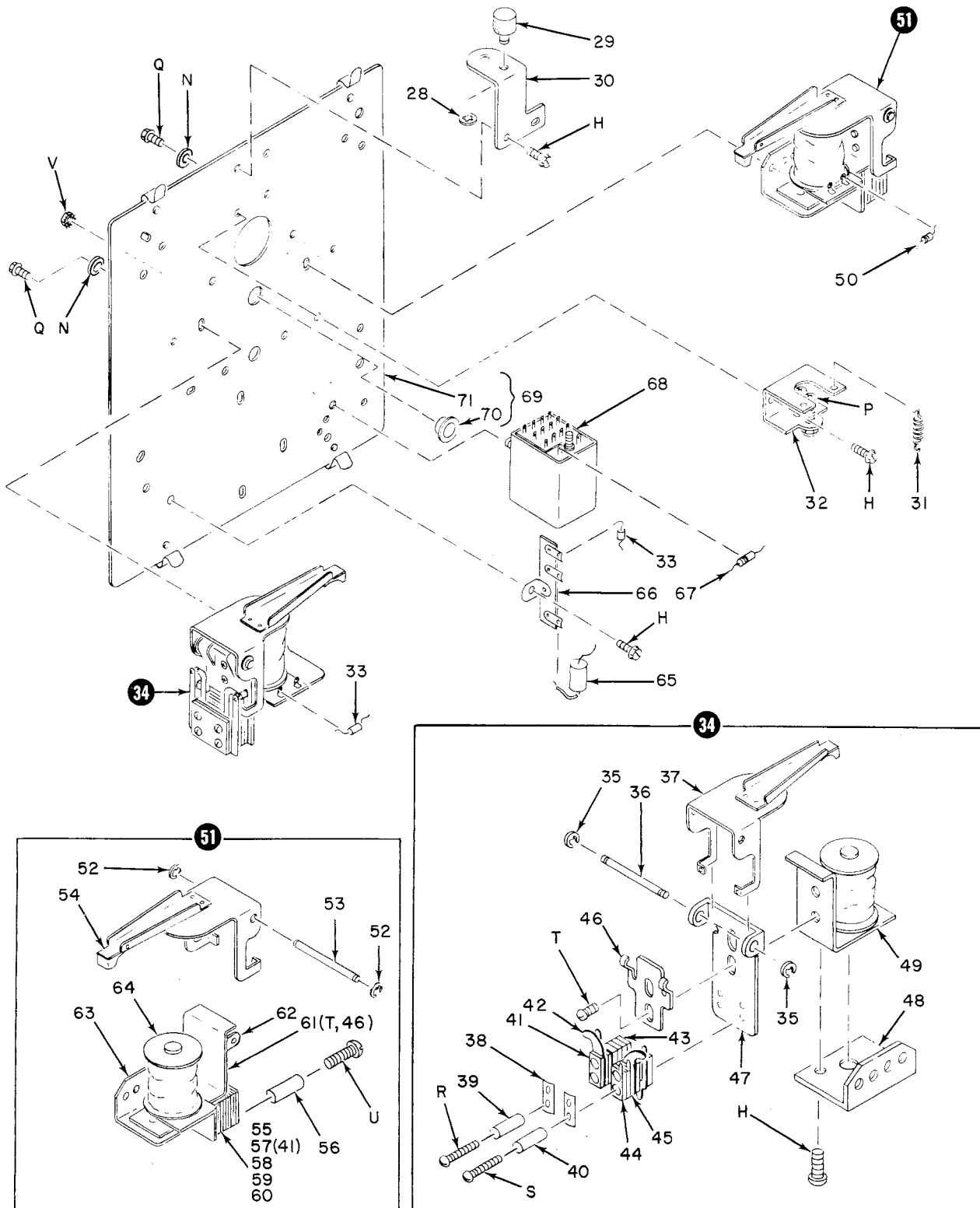
Search Unit Sheet 1



Search Unit Sheet 1

**FIGURE
8**

Index No.	ROWE PART NO.	DESCRIPTION	Qty. Per Assy.
8-	601-03011	Search Unit Assembly (Figure 7, Item 5)	REF.
1	201-11534	. Plunger Assembly	2
2	712-01207	. Washer, Flat	3
3	200-11533	. Spring, Compression	2
4	204-10743	. Coil, Outside Row Select	1
5	205-10743	. Coil, Inside Row Select	1
6	300-05112	. Arm, Select Coil	1
7	725-01205	. Washer, Flat	2
8	720-01214	. Spacer, Sleeve	1
9	200-11583	. Lug, Ground	1
10	301-05209	. Wiper Assembly	1
11	201-11575	. Connector, Edge	1
12	202-11575	. Connector, Edge	1
13	201-11573	. Circuit Board Assembly	1
14	707-01460	. . Bearing	1
15	706-00223	. . Capacitor, Ceramic Disc, 0.01 MFD, 500V	1
16	400-05048	. . Circuit Board	1
17	301-05599	. Wiper Assembly	1
18	702-00931	. Clamp, Cable	1
19	400-05010	. Frame, Mounting	1
20	300-05115	. Motor, Search Unit	1
21	703-01430	. Ring, Retaining	2
22	200-06046	. Gear, Motor Idler	1
23	201-11023	. Bracket, Motor Mounting	1
24	201-11838	. Gear, Upper Idler	1
25	201-10760	. Idler Pin and Plate Assembly	1
26	201-10779	. Wheel, Sprag	1
27	301-05141	. Gear and Shaft Assembly	1
STANDARD PARTS			
A	80732303	Screw, Machine, Hex Wr. Hd., Sems, # 6-32 x 3/16	
B	80733014	Screw, Machine, Hex Wr. Hd., Sems, # 8-32 x 7/8	
C	87853000	Nut, Square, # 8-32	
D	80751610	Screw, Cap, Socket Hd., # 4-40 x 5/8	
E	87841600	Nut, Hex, Keps. # 4-40	
F	80682304	Screw, Machine, Hex Wr. Hd., # 6-32 x 1/4	
G	80751614	Screw, Cap, Socket Hd., # 4-40 x 7/8	
H	80732304	Screw, Machine, Hex Wr. Hd., Sems, # 6-32 x 1/4	
J	80743708	Screw, Machine, Hex Wr. Hd., Sems, Swage Form, # 10-24 x 1/2	
K	80732305	Screw, Machine, Hex Wr. Hd., Sems, # 6-32 x 5/16	
L	88932300	Washer, Flat, # 6	
M	80734406	Screw, Machine, Hex Wr. Hd., Sems, # 10-32 x 3/8	
N	88934400	Washer, Flat, # 10	



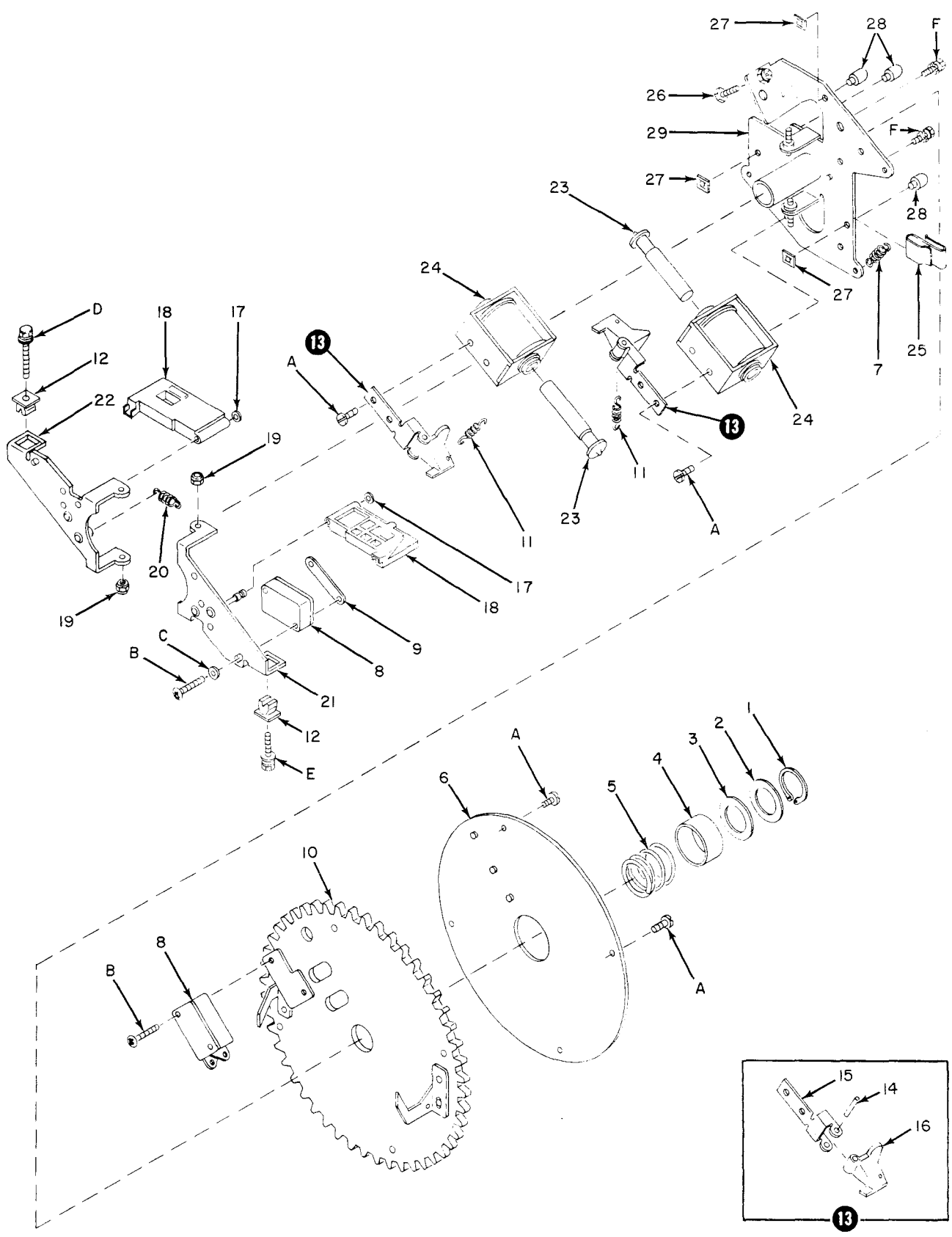
Search Unit Sheet 2

**FIGURE
8**

Index No.	ROWE PART NO.	DESCRIPTION	Qty. Per Assy.
8-		Search Unit Assembly (Continued)	
28	200-10899	. Clip Retaining	2
29	200-10897	. Rest, Transfer Arm	1
30	200-10787	. Bracket	1
31	200-10786	. Spring, Tension	2
32	201-10761	. Bracket and Stop Nut Assembly	1
33	200-11145	. Rectifier, Silicon	2
34	308-08050	. Relay Assembly, Sprag	1
35	701-01430	. . Ring, Retaining	2
36	200-03598	. . Pin, Hinge	1
37	201-10759	. . Armature Assembly	1
38	200-06163	. . Plate, Clamping	2
39	200-05319	. . Tubing, Insulating (.384" Long)	2
40	200-05319	. . Tubing, Insulating (.571" Long)	2
41	200-00547	. . Spacer, Contact Blade	20
42	201-09040	. . Contact Blade Assembly	4
43	206-09040	. . Contact Blade Assembly	1
44	204-09040	. . Contact Blade Assembly	1
45	207-09040	. . Contact Blade Assembly	1
46	200-03777	. . Plate, Clamping-Hinge	1
47	200-03597	. . Hinge, Relay	1
48	200-10747	. . Bracket, Sprag Relay Mounting	1
49	201-10757	. . Frame and Coil Assembly (Sprag)	1
50	703-00350	. Diode, Silicon. 1N457A	1
51	305-08050	. Relay Assembly, Sprag	1
52	701-01430	. . Ring, Retaining	2
53	200-03598	. . Pin, Hinge	1
54	201-10758	. . Armature Assembly	1
55	200-06163	. . Plate, Clamping	2
56	200-05319	. . Tubing, Insulating (.333 Long)	4
57	200-00547	. . Spacer, Contact Blade	14
58	206-09040	. . Contact Blade Assembly	1
59	201-09040	. . Contact Blade Assembly	2
60	207-09040	. . Contact Blade Assembly	1
61	200-03777	. . Plate, Clamping, Hinge	1
62	200-03597	. . Hinge, Relay	1
63	200-10747	. . Bracket, Sprag Relay Mounting	1
64	200-06075	. . Frame and Coil Assembly	1
65	200-10981	. Capacitor, 5 MFD, 100V	1
66	200-10193	. Strip, Terminal	1
67	706-00104	. Resistor, Carbon, 1.8K, 1/2W	1
68	201-11574	. Relay Assembly	1
69	303-05114	. Plate and Bearing Assembly	1
70	200-10766	. . Bearing	1
71	400-05051	. . Plate Assembly	1
STANDARD PARTS			
H	80732304	Screw, Machine, Hex Wr. Hd., Sems, # 6-32 x 1/4	
N	88934400	Washer, Flat, #10	
P	80352312	Screw, Machine, Round Hd., Phil. Sl., # 6-32 x 3/4	
Q	80734404	Screw, Machine, Hex Wr. Hd., Sems, # 10-32 x 1/4	
R	80350909	Screw, Machine, Round Hd., Phil. Sl., # 3-48 x 9/16	
S	80350912	Screw, Machine, Round Hd., Phil. Sl., # 3-48 x 3/4	
T	80541604	Screw, Machine, Round Hd., Phil. Sl., Sems, # 4-40 x 1/4	
U	80350908	Screw, Machine, Round Hd., Phil. Sl., # 3-48 x 1/2	
V	87842300	Nut, Hex, Keps, # 6-32	

FIGURE
9

Stop Switch Assembly



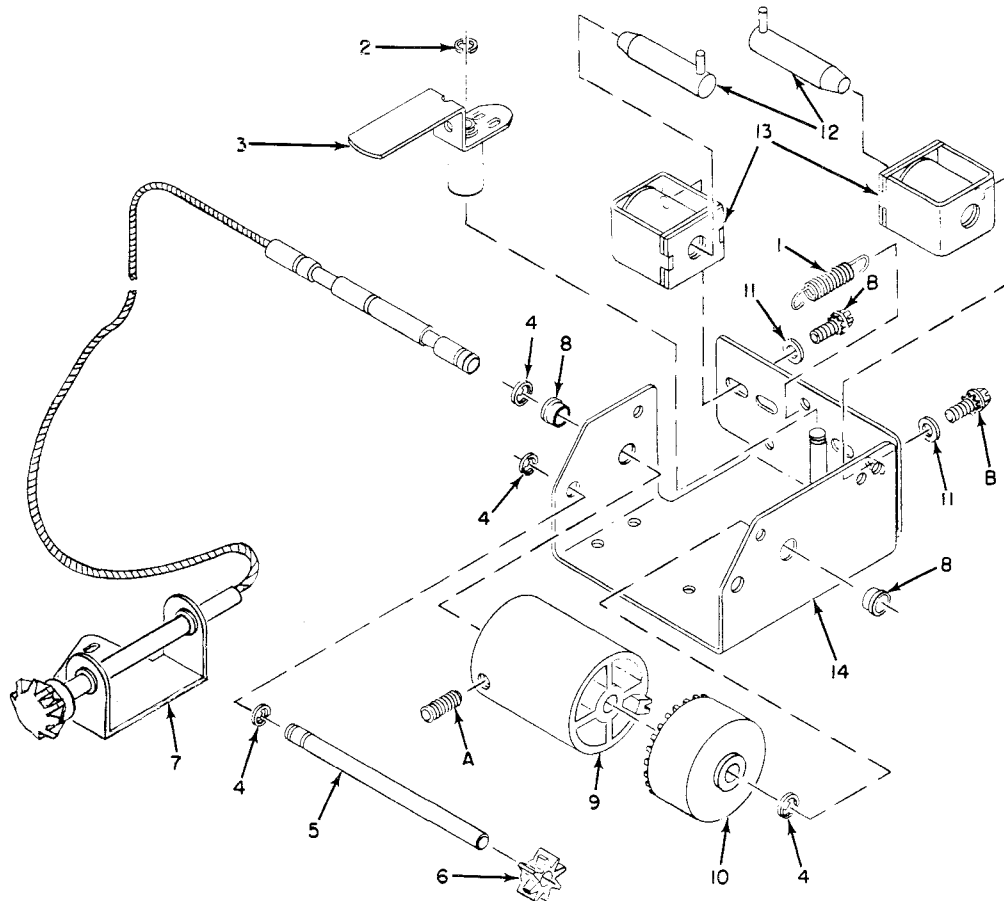
Stop Switch Assembly

FIGURE
9

Index No.	ROWE PART NO.	DESCRIPTION	Qty. Per Assy.
9-	401-05024	Stop Switch Assembly (Figure 2, Item 22)	REF.
1	708-01432	. Ring, Retaining	1
2	721-01206	. Washer	1
3	720-01206	. Washer	1
4	200-11535	. Sleeve	1
5	200-10953	. Spring, Compression	1
6	201-10934	. Ring, Slip	1
7	200-10954	. Spring, Compression	1
8	200-10734	. Switch, Sensitive	2
9	200-10830	. Nut, Plate	1
10	200-10860	. Gear, Selector	1
11	200-03713	. Spring, Tension	2
12	200-10725	. Nut, Snap-in	2
13	201-10926	. Reset Lever Assembly	2
14	706-01130	. . Pin, Roll	1
15	200-10929	. . Lever	1
16	200-10928	. . Bracket	1
17	701-01430	. Ring, Retaining	2
18	400-05028	. Pawl	2
19	200-03103	. Nut, Self Locking	2
20	200-12695	. Spring, Tension	1
21	201-10924	. Arm, Pivot	1
22	202-10924	. Arm, Pivot	1
23	201-10933	. Plunger	2
24	201-10936	. Coil, Reset	2
25	200-07545	. Clip	1
26	201-03822	. Screw, Adjusting	1
27	200-12402	. Nut, Speed	3
28	200-10921	. Button, Slide	3
29	301-05156	. Switch Plate Assembly	1
STANDARD PARTS			
A	80953003	Screw, Machine, Pan Hd, #8-32 x 3/16	
B	80351610	Screw, Machine, Round Hd, Phil. Sl., #4-40 x 5/8	
C	88931600	Washer, Flat, #4	
D	82682314	Screw, Self Tapping, Hex Wr. Hd., Type 23, # 6-32 x 7/8	
E	82682310	Screw, Self Tapping, Hex Wr. Hd., Type 23, # 6-32 x 5/8	
F	80733003	Screw, Machine, Hex Wr. Hd., Sems, #8-32 x 3/16	

**FIGURE
10**

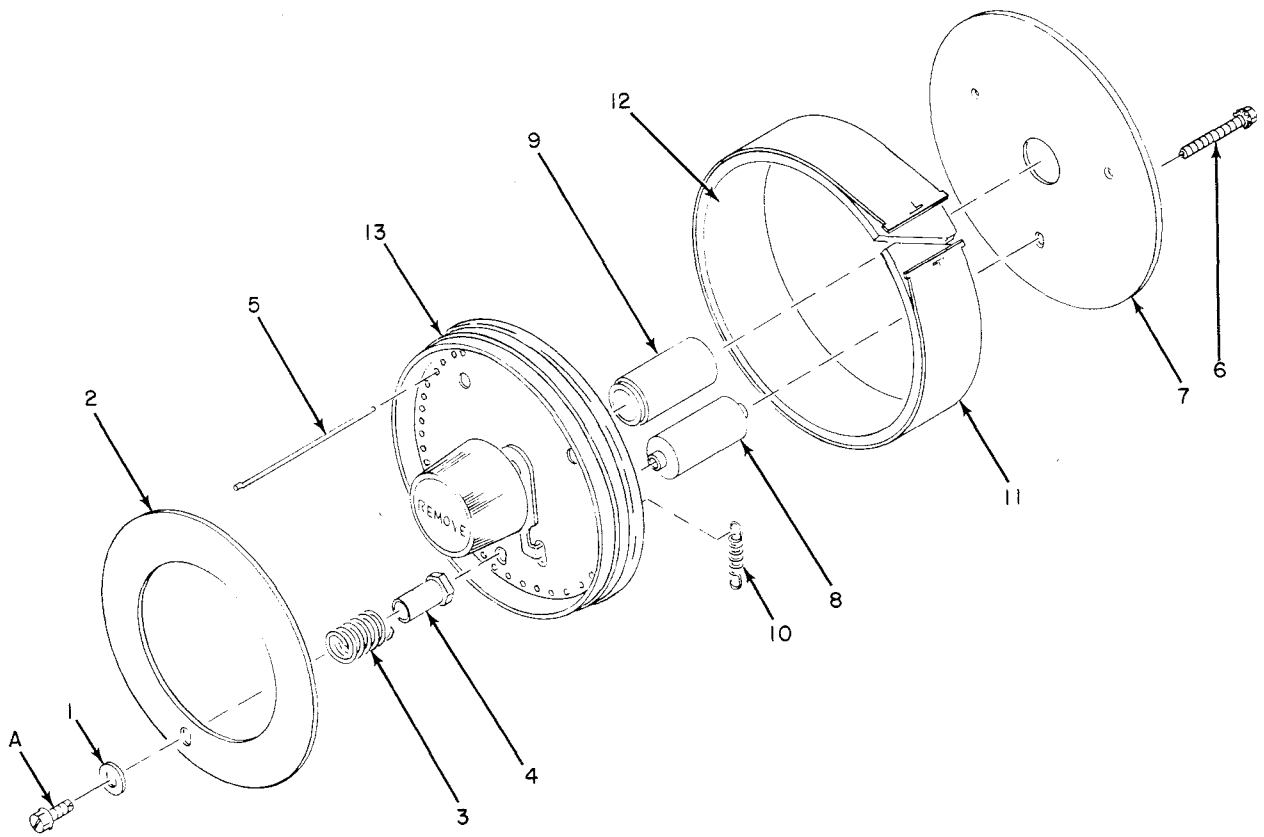
Cable and Annunciator Assembly



Index No.	ROWE PART NO.	DESCRIPTION	Qty. Per Assy.
10-	301-06289	Cable and Annunciator Assembly (Figure 2. Item 42)	REF.
1	200-03816	. Spring	1
2	701-01430	. Ring, Retaining	1
3	201-10994	. Bushing and Shutter Assembly	1
4	703-01430	. Ring, Retaining	4
5	200-10993	. Shaft, Pinion	1
6	200-10978	. Gear, Pinion	1
7	301-06283	. Drive Assembly	1
8	703-01460	. Bearing	2
9	201-13925	. Letter Wheel and Strip Assembly	1
10	201-13924	. Number Wheel and Strip Assembly	1
11	711-01206	. Washer, Flat	4
12	201-10998	. Plunger Assembly	2
13	206-10743	. Solenoid Assembly	2
14	202-10984	. Frame Assembly	1
STANDARD PARTS			
A	80782303	Screw. Set, Socket Hd., Cup Pt. # 6-32 x 3/16	
B	80732303	Screw. Machine, Hex Wr. Hd., Sems. # 6-32 x 3/16	

Playmeter Assembly

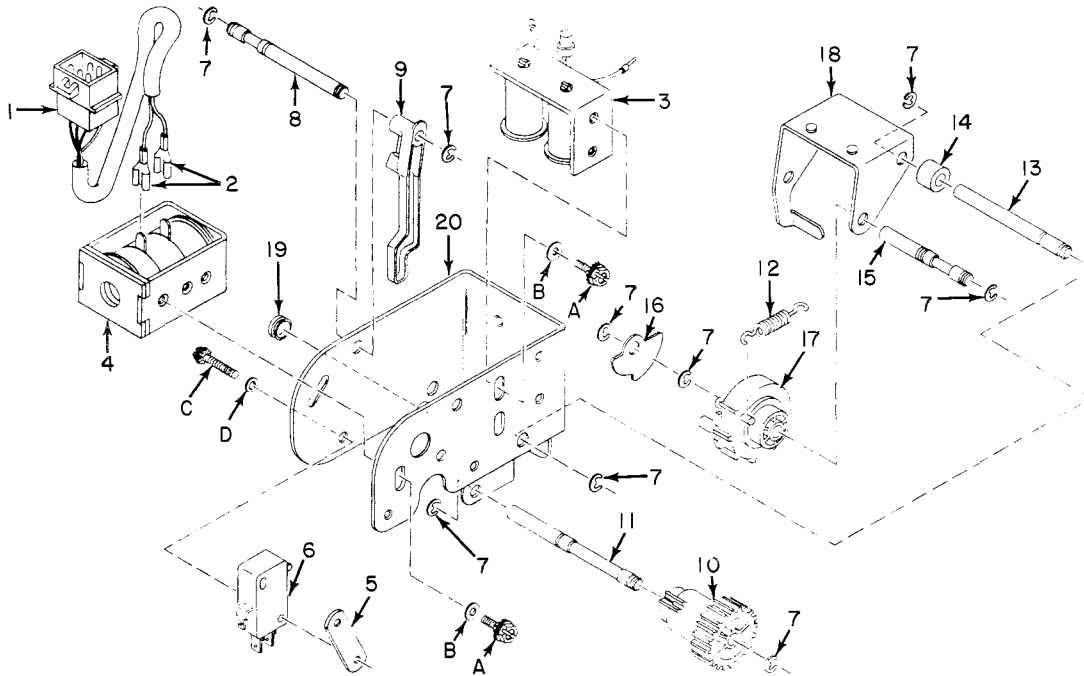
FIGURE 11



Index No.	ROWE PART NO.	DESCRIPTION	Qty. Per Assy.
11-	303-05465	Playmeter Wheel Assembly (Figure 2, Item 1)	REF.
1	702-01200	. Washer, Flat, #6	3
2	300-06252	. Plate, Reset	1
3	200-10965	. Spring, Compression	3
4	200-10969	. Stud, Reset Guide	3
5	200-11582	. Pin, Playmeter	100
6	200-10486	. Screw, Machine	3
7	300-05159	. Plate, Back	1
8	200-10962	. Spacer	3
9	200-10968	. Bearing	1
10	200-11581	. Spring, Tension	1
11	300-05198	. Strip, Pin Loading	1
12	201-10966	. Ring, Friction	1
13	201-13913	. Playmeter Plate Assembly	1
STANDARD PARTS			
A	82682304	Screw, Self Tapping, Hex Wr. Hd., Type 23, # 6.32 x 1/4	

**FIGURE
12**

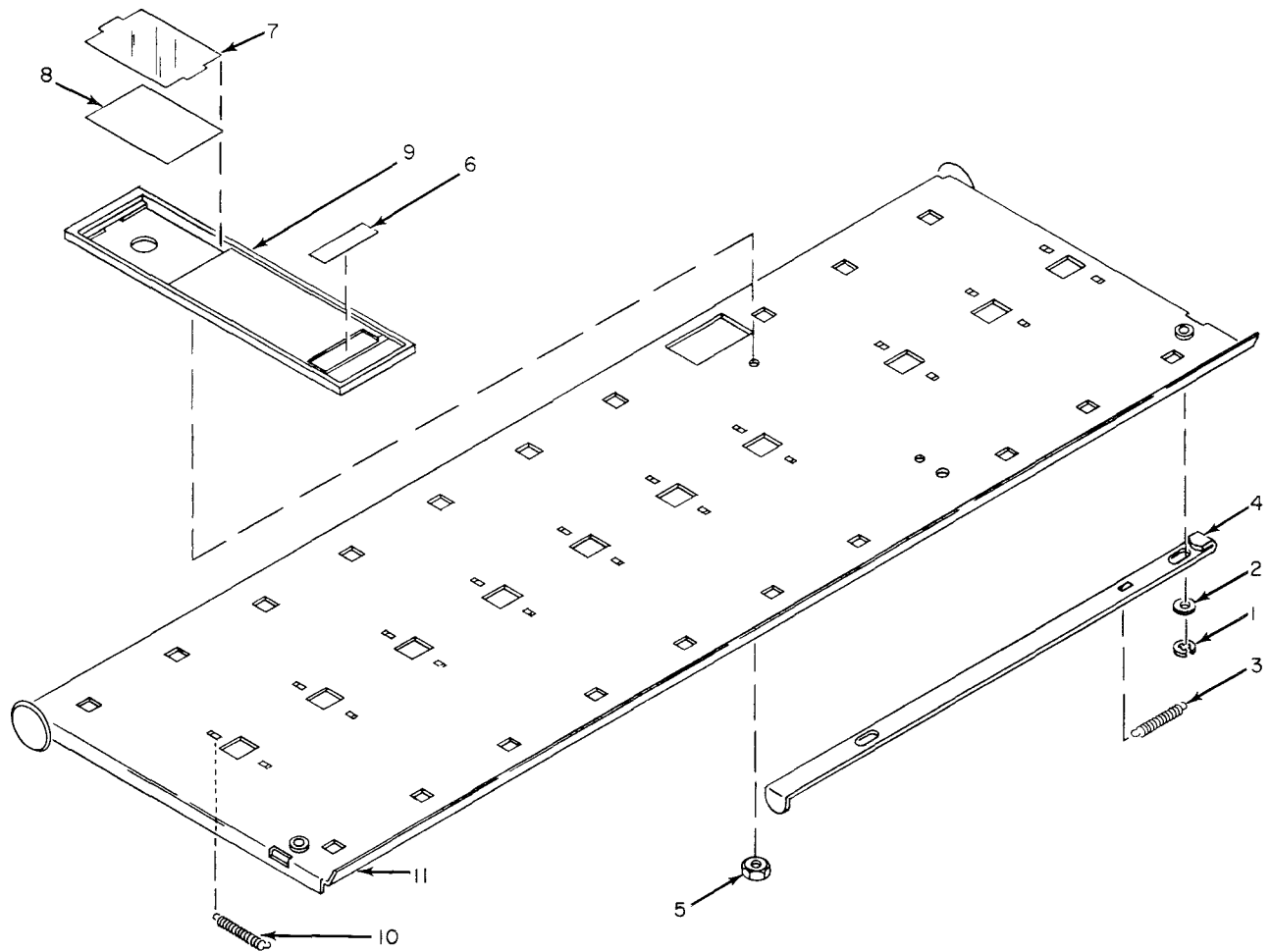
Scan Control Assembly



Index No.	ROWE PART NO.	DESCRIPTION	Qty. Per Assy.
12-	302-05111	Scan Control Assembly (Figure 2, Item 50)	REF.
1	202-12445	. Housing, Pin (6 Circuits)	1
2	714-00913	. Terminal, Slip-on	4
3	201-12540	. Coil, Scan	1
4	201-11505	. Solenoid Assembly	1
5	200-10830	. Nut, Plate	1
6	200-10731	. Switch	1
7	703-01430	. Ring, Retaining	9
8	200-10721	. Shaft, Switch Lever Pivot	1
9	300-05108	. Lever, Switch	1
10	300-05109	. Pinion, Scanning Control	1
11	200-10720	. Shaft, Pinion	1
12	200-08919	. Spring, Tension	1
13	200-08847	. Shaft, Pivot	1
14	707-01213	. Spacer, Sleeve	1
15	200-08846	. Shaft	1
16	200-11529	. Weight	1
17	201-10970	. Gear, Scan	1
18	201-08862	. Bracket, Reset	1
19	710-01460	. Bearing	1
20	400-05030	. Frame	1
STANDARD PARTS			
A	80733004	Screw, Machine, Hex Wr. Hd., Sems, #8-32 x 1/4	
B	88933000	Washer, Flat, #8	
C	80731610	Screw, Machine, Hex Wr. Hd., Sems, #4-40 x 5/8	
D	88931600	Washer, Flat, #4	

Title Rack Panel Assembly

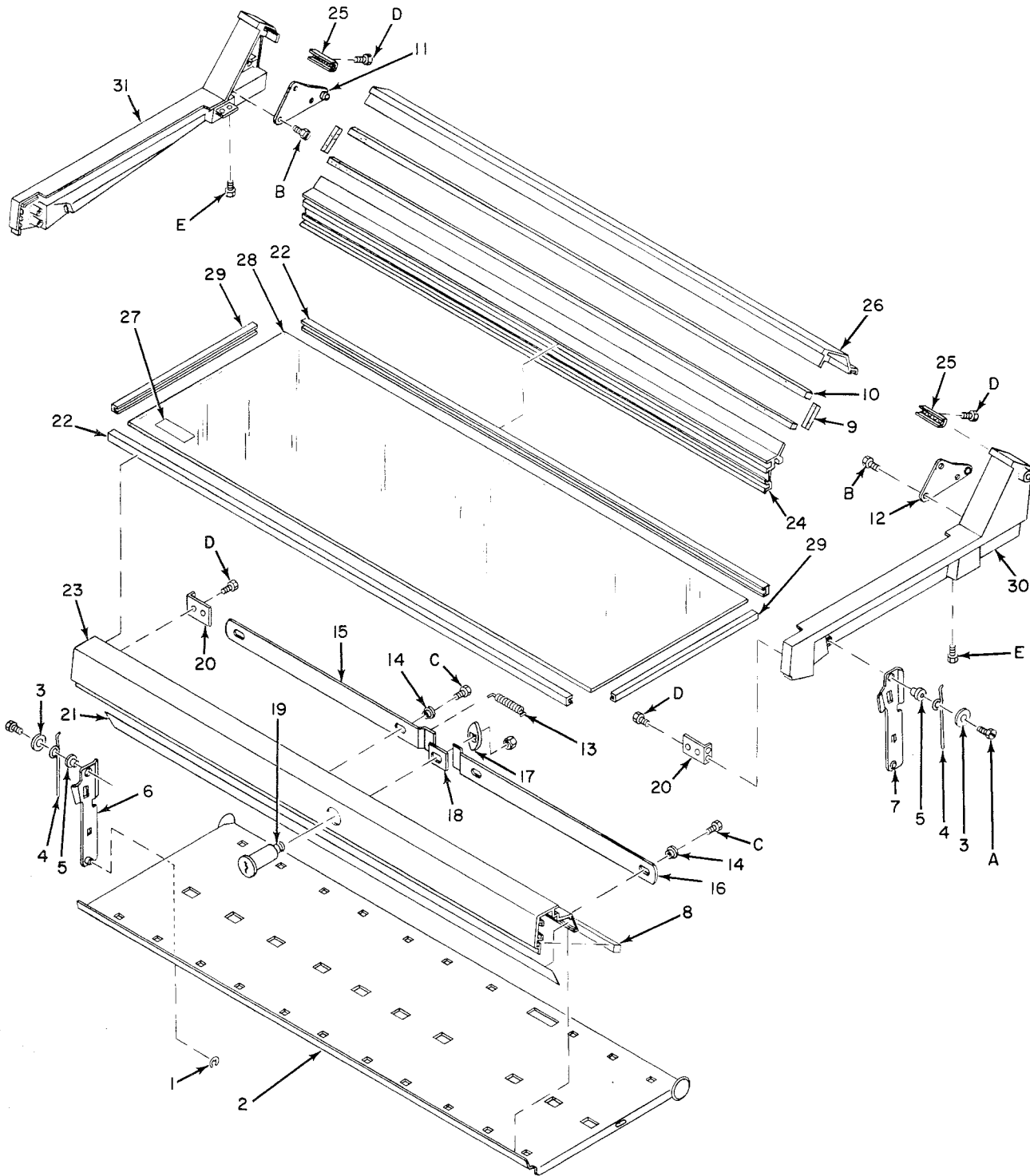
FIGURE 13



Index No.	ROWE PART NO.	DESCRIPTION	Qty. Per Assy.
13-	401-03776	Title Panel Rack Assembly (Figure 14, Item 2)	REF.
1	703-01430	. Ring, Retaining	4
2	701-01205	. Washer, Flat	4
3	200-12562	. Spring, Tension	2
4	200-13831	. Latch, Title Rack	2
5	200-50224	. Nut	2
6	200-13879	. Label, Record Playing	1
7	200-13881	. Holder, License	1
8	200-13880	. Card, License	1
9	400-05719	. Frame, Record Playing.	1
10	200-12564	. Spring, Tension	10
11	301-06252	. Title Rack Panel and Pin Assembly	1

**FIGURE
14**

Top Door Assembly



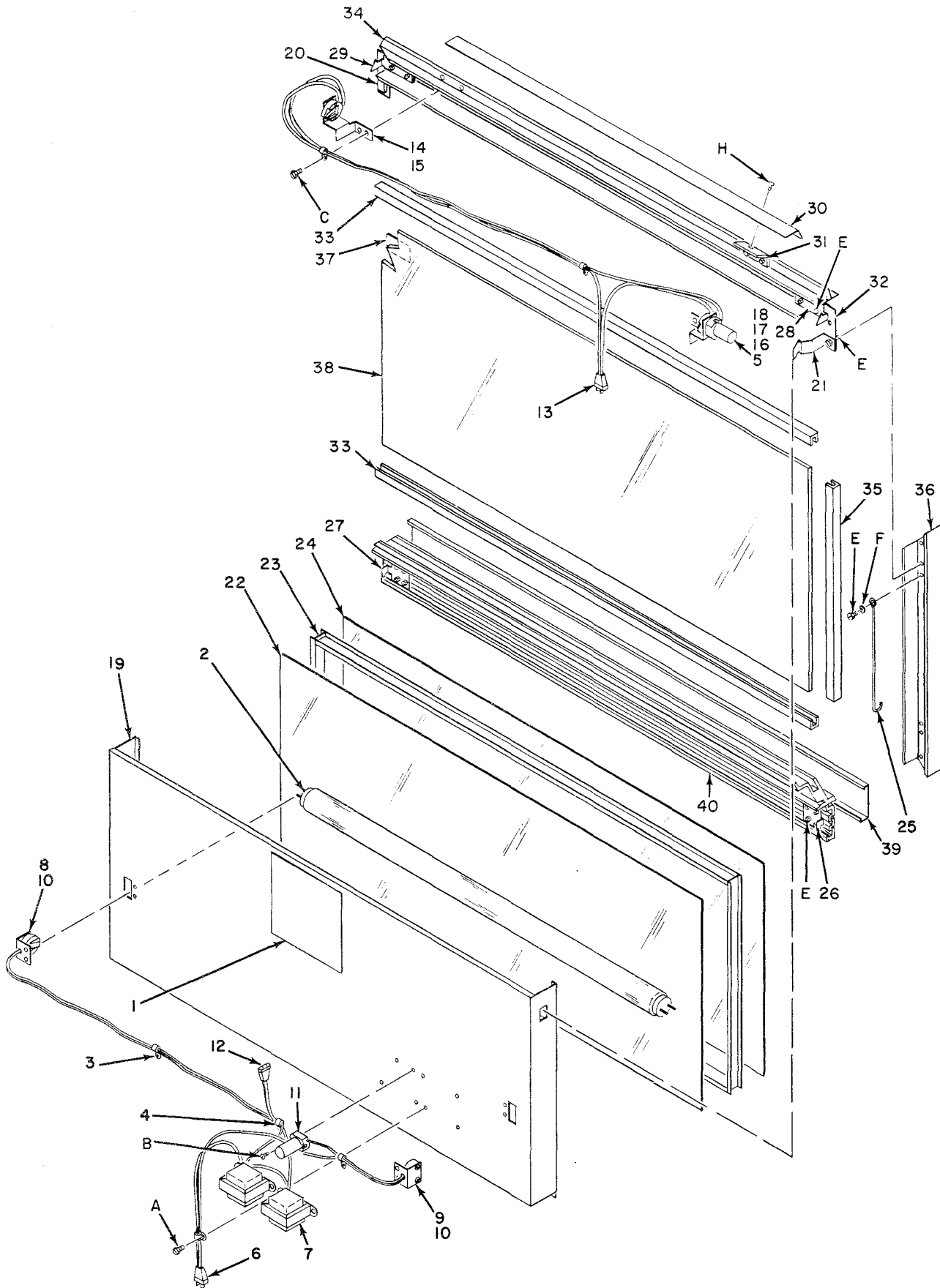
Top Door Assembly

**FIGURE
14**

Index No.	ROWE PART NO.	DESCRIPTION	Qty. Per Assy.
14-	601-03776	Top Door Assembly (Figure 1, Item 103)	REF.
1	703-01430	. Ring, Retaining	2
2	401-05734	. Title Rack Panel Assembly (See Figure 13)	1
3	710-01202	. Washer	2
4	200-14051	. Spring, Torsion	2
5	711-01216	. Spacer	2
6	201-13870	. Hanger and Pin Assembly (L. H.)	1
7	201-13871	. Hanger and Pin Assembly (R. H.)	1
8	702-02201	. Tape, Foam	3
9	704-02201	. Tape, Foam	2
10	703-02201	. Tape, Foam	2
11	201-13866	. Plate and Pin Assembly (L. H.)	1
12	201-13867	. Plate and Pin Assembly (R. H.)	1
13	200-09253	. Spring, Tension	1
14	200-09225	. Spacer	4
15	301-06249	. Lock Bar Assembly (L. H.)	1
16	301-06250	. Lock Bar Assembly (R. H.)	1
17	200-09241	. Bolt, Lock	1
18	200-13842	. Plate, Lock	1
19	714-01630	. Lock, Cylinder	1
20	200-13818	. Bracket, Mounting, Front Trim	2
21	200-13868	. Diffuser	1
22	210-12946	. Channel, Rubber	2
23	400-05718	. Trim, Front	1
24	300-06211	. Trim, Center	1
25	200-13815	. Bracket, Top Trim	2
26	301-06210	. Trim, Top	1
27	200-14042	. Label, Alarm System	1
28	300-06230	. Window, Top Door	1
29	208-12946	. Channel, Rubber	2
30	600-03755	. Support, Door (L. H.)	1
31	600-03756	. Support, Door (R. H.)	1
STANDARD PARTS			
A	82683008	Screw, Self-tapping, Hex Wr. Hd., Type 23, # 8-32 x 1/2	
B	82733007	Screw, Self-tapping, Hex Wr. Hd., Sems, Type 23, # 8-32 x 7/16	
C	80743008	Screw, Self-tapping, Hex Wr. Hd., Sems, Swage Form, # 8-32 x 1/2	
D	82733005	Screw, Self-tapping, Hex Wr. Hd., Sems, Type 23, # 8-32 x 5/16	
E	82733006	Screw, Self-tapping, Hex Wr. Hd., Sems, Type 23, # 8-32 x 3/8	

**FIGURE
15**

Front Door Assembly



Front Door Assembly

**FIGURE
15**

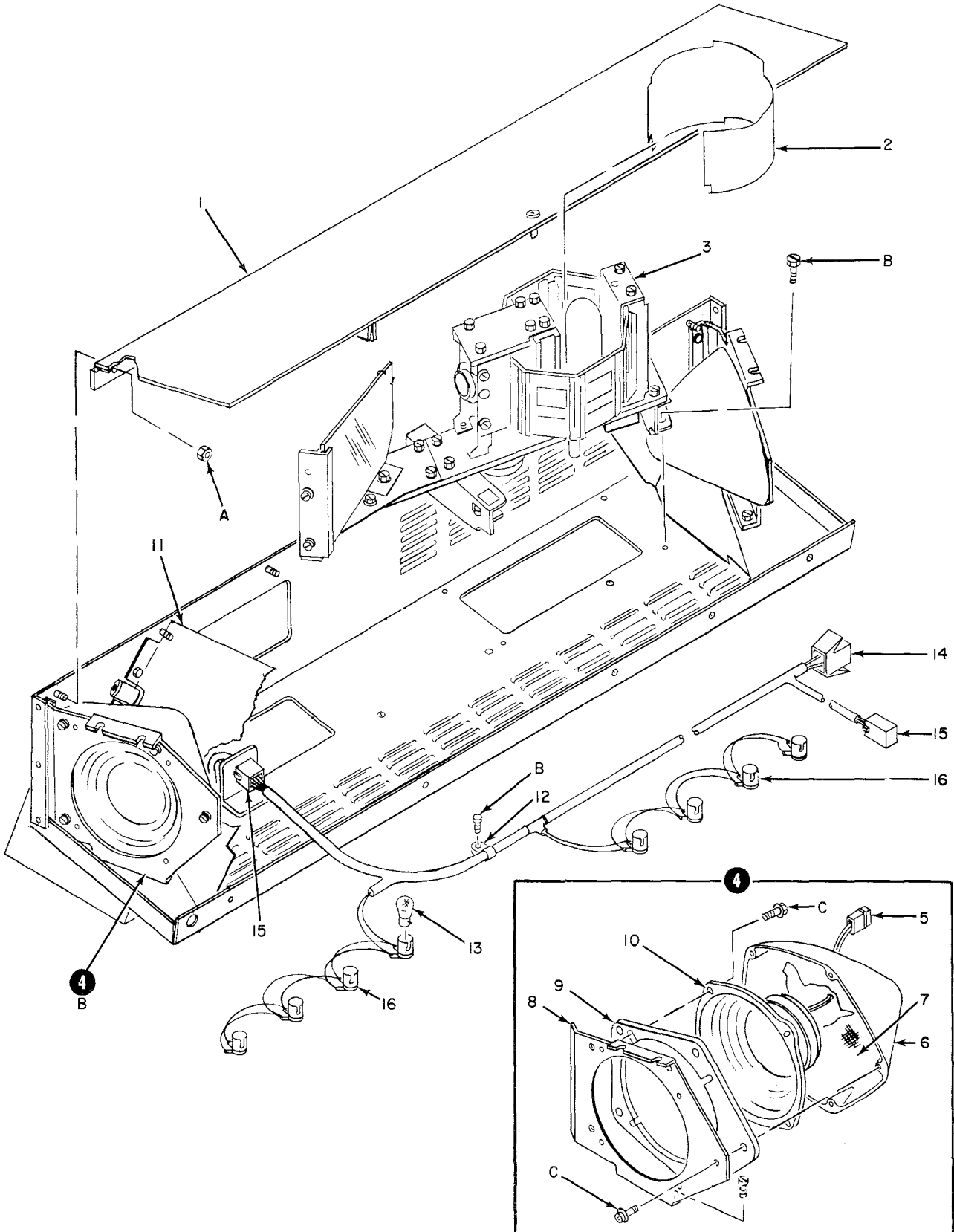
Index No.	ROWE PART NO.	DESCRIPTION	Qty. Per Assy.
15-	601-03783	. Front Door Assembly (Figure 1, Item 5)	REF.
1	200-13054	. Chart, Lubrication	1
2	706-00601	. Lamp, Fluorescent, 25W, Type T-12	2
3	703-00931	. Clamp, Cable	6
4	702-00931	. Clamp, Cable	1
5	703-00800	. Starter, Fluorescent, FS-25	2
	401-05753	. Harness Assembly, Lower	1
6	708-00501	. . Cord and Plug	1
7	200-13801	. . Ballast, 25W, 60 Cycle	2
8	208-12931	. . Lampholder, Fluorescent Lamp	1
9	202-12931	. . Lampholder, Fluorescent Lamp	1
10	201-13938	. . Bracket and Eyelet Assembly	2
11	200-00295	. . Socket, Starter	1
12	704-00508	. . Cord and Receptacle	1
	301-06278	. Harness Assembly, Upper	1
13	726-00500	. . Cord and Plug	1
14	705-12931	. . Lampholder, Fluorescent Lamp	1
15	200-13835	. . Bracket, Light (R. H.)	1
16	200-00295	. . Socket, Starter	1
17	702-12931	. . Lampholder, Fluorescent Lamp	1
18	200-13834	. . Bracket, Light (L. H.)	1
19	401-05736	. Reflector Panel Assembly	1
20	710-02119	. Rubber, Sponge	6
21	200-13949	. Clip, Reflector Panel	2
22	401-05758	. Picture, Rear (Use with 401-05757 Only)	1
	402-05758	. Picture, Rear (Use with 402-05757 Only)	ALT.
	403-05758	. Picture, Rear (Use with 402-05757 Only)	ALT.
23	401-05728	. Inner Frame Assembly	1
24	401-05757	. Picture, Front (Use with 401-05758 Only)	1
	402-05757	. Picture, Front (Use with 402-05758 and 403-05758)	ALT.
25	200-13994	. Stop, Fall.	2
26	200-09226	. Hanger, Door (L. H.)	1
27	200-09227	. Hanger, Door (R. H.)	1
28	200-13966	. Catch, Door (L. H.)	1
29	200-13967	. Catch, Door (R. H.)	1
30	200-14046	. Shield, Light	1
31	200-13816	. Catch.	2
32	200-13825	. Gusset	4
33	210-12946	. Channel, Rubber	2
34	400-05714	. Top, Front Door.	1
35	211-12946	. Channel, Rubber.	2
36	300-06212	. Side, Front Door	2
37	200-14016	. Label, Tempered Glass	1
38	300-06238	. Window, Lower Door.	1
39	300-06248	. Overlay.	1
40	400-05715	. Bottom, Front Door	1
STANDARD PARTS			
A			
B	80351606	Screw, Machine, Round Hd., Phil. Sl., #4-40 x 3/8	
C	82733005	Screw, Self-tapping, Hex Wr. Hd., Type 23, # 8-32 x 5/16	
D	80351608	Screw, Machine, Round Hd., Phil. Sl, # 4-40 x 1/2	
E	82733006	Screw, Self-tapping, Hex Wr. Hd., Sems, Type 23, # 8-32 x 3/8	
F	88934400	Washer, Flat, # 10	
G	82733008	Screw, Self-tapping, Hex Wr. Hd., Sems, Type 23, # 8-32 x 1/2	
H	82303004	Screw, Self-tapping, Binding Hd., Phil. Sl., Type 23, # 8-32 x 1/4	

Selector and Trim Assembly

**FIGURE
16**

Index No.	ROWE PART NO.	DESCRIPTION	Qty. Per Assy.
16-	601-03777	Selector and Trim Assembly (Figure 1, Item 9)	REF.
1	200-02232	. Light, Pilot.	2
2	400-05707	. Retainer, Credit Window.	1
3	200-13921	. Card, Price	1
4	200-13839	. Window, Program.	1
5	300-06217	. Retainer, Letter Strip.	2
6	300-06227	. Strip, Identification - Letter	1
7	200-13824	. Retainer, Number Strip	2
8	300-06228	. Strip, Identification Number	1
9	600-03754	. Trim, Pushbutton	1
	601-03784	. Selector Assembly	1
10	300-06218	. Pushbutton	30
11	200-13823	. Support, Pushbutton Trim	2
12	300-05572	. Cover, Relay	1
13	200-11944	. Relay, (R1)	1
14	200-11945	. Relay, (R5)	1
15	704-00931	. Clamp, Cable	2
16	706-00931	. Clamp, Cable	2
17	707-00931	. Clamp, Cable	1
18	205-12444	. Housing, Socket, 15 Contacts	1
19	200-11800	. Socket, Light	2
20	300-05210	. Connector, Edge	1
21	400-05740	. Insulator, Switch Bank	1
22	400-05614	. Switch, Pushbutton, Letter	1
23	401-05741	. Premium Price and Number Switch Assembly	1
24	703-01430	. Ring, Retaining	2
25	301-06282	. Release Lever Assembly	1
26	200-11827	. Lever, Stop	1
27	702-00350	. Diode, Silicon	3
28	703-00222	. Capacitor, Ceramic Disc, 0.02 MFD, 500V.	2
29	706-00104	. Resistor, Carbon, 1.8K, 1/2W	1
30	714-00231	. Capacitor, Electrolytic, 5 MFD, 400V.	1
31	200-03687	. Strip Terminal	1
32	200-00999	. Strip Terminal	1
33	200-10157	. Bushing, Grommet	3
34	200-08309	. Grommet	3
35	302-05685	. Solenoid and Push Rod Assembly	1
36	200-12663	. Bracket, Solenoid	1
37	200-07545	. Clip, Wire	1
38	301-06261	. Frame and Pivot Assembly	1
STANDARD PARTS			
A	82733005	Screw, Self-tapping, Hex Wr. Hd., Sems, Type 23, # 8-32 x 5/16	
B	80733005	Screw, Machine, Hex Wr. Hd., Sems, # 8-32 x 5/16	
C	80733006	Screw, Machine, Hex Wr. Hd., Sems, # 8-32 x 3/8	
D	82733006	Screw, Self-tapping, Hex Wr. Hd., Sems, Type 23, # 8-32 x 3/8	
E	88933000	Washer, Flat, # 8	
F	82683008	Screw, Self-tapping, Hex Wr. Hd., Type 23, # 8-32 x 1/2	
G	80734414	Screw, Machine, Hex Wr. Hd., Sems, # 10-32 x 7/8	
H	87844400	Nut, Hex, Keps, # 10-32	

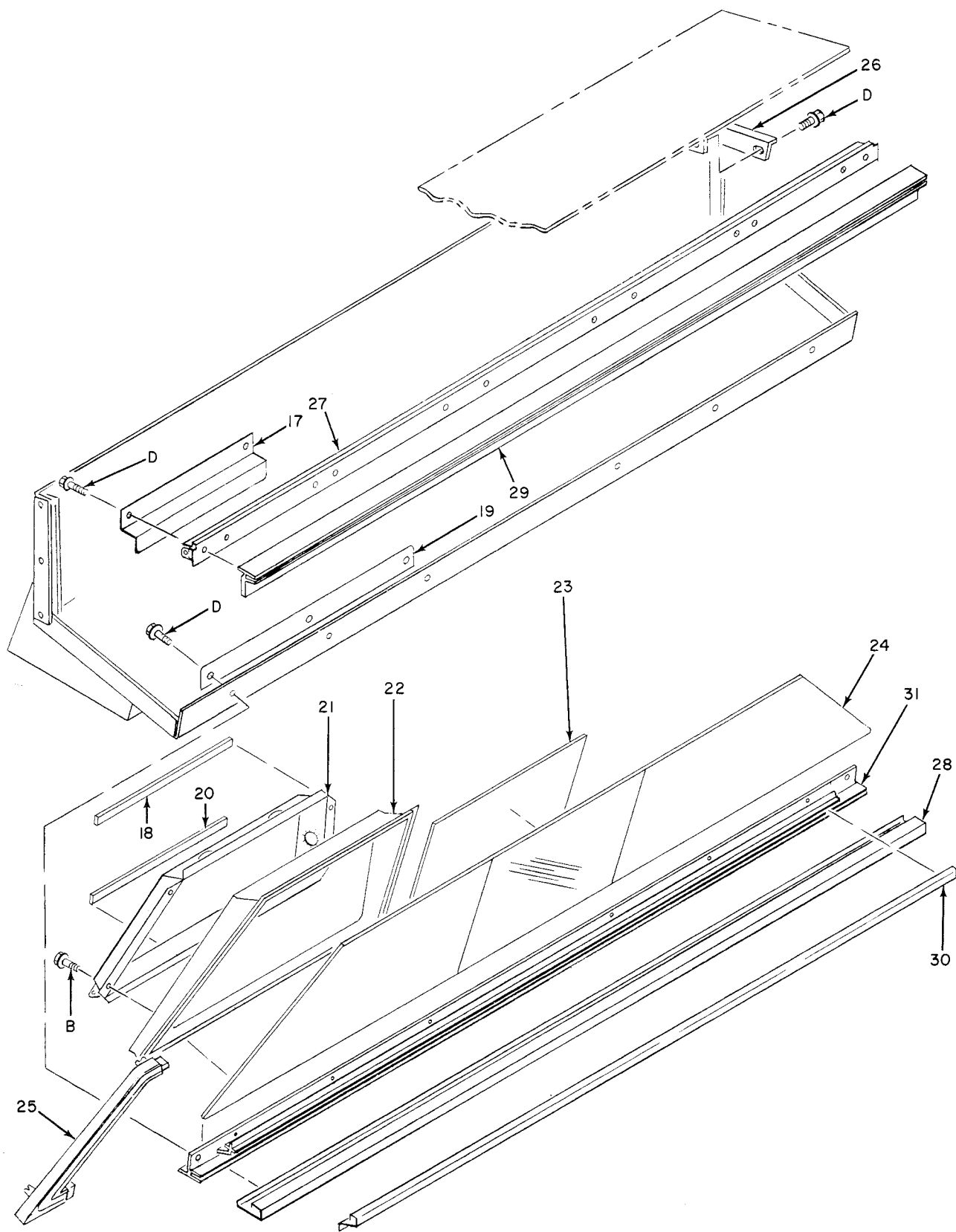
Top Assembly Sheet 1



Top Assembly Sheet 1

**FIGURE
17**

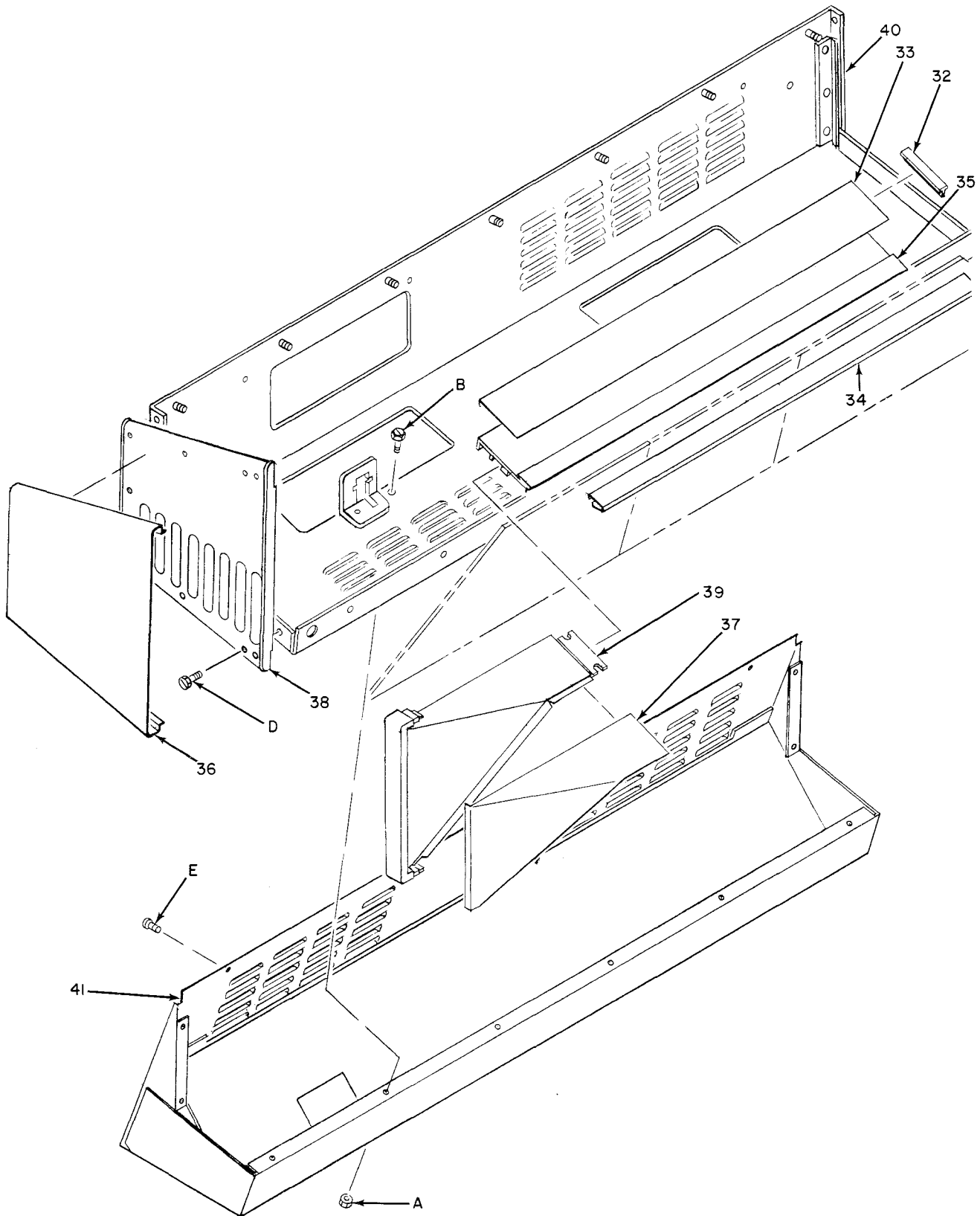
Index No.	ROWE PART NO.	DESCRIPTION	Qty. Per Assy.
17-	601-03794	Top Assembly (Figure 1, Item 17)	REF.
1	401-05777	. Cover and Lock Assembly (See Figure19)	1
2	400-05788	. Shield, Projector	1
3	601-03789	. Projector Assembly (See Figure18).	1
4	301-06298	. Speaker and Cover Assembly	2
5	207-12445	. . Housing, Pin (2 Circuit)	1
6	600-02583	. . Cover, Speaker	1
7	200-13265	. . Pad, Acoustical	1
8	400-05765	. . Plate, Mounting, Speaker	1
9	300-06162	. . Gasket, Speaker	1
10	400-05647	. . Speaker, Mid/High Frequencies	1
11	400-05789	. Baffle, Light (L. H.)	1
	400-05790	. Baffle, Light (R. H.)	1
12	703-00931	. Clamp, Cable.	2
13	200-02232	. Light, Pilot	8
	401-05780	. Hood Light Harness Assembly	1
14	202-12444	. . Housing, Socket (6 Circuit)	1
15	201-12444	. . Housing, Socket (2 Circuit)	2
16	200-14049	. . Socket, Light, Miniature Bayonet Base	8
STANDARD PARTS			
A	87843000	Nut, Hex, Keps, #8-32	
B	82733006	Screw, Self-tapping, Hex Wr. Hd., Sems, Type 23, # 8-32 x 3/8	
C	80743008	Screw, Self-tapping, Hex Wr. Hd., Sems, Swage Form, # 8-32 x 1/2	



Top Assembly Sheet 2

**FIGURE
17**

Index No.	ROWE PART NO.	DESCRIPTION	Qty. Per Assy.
17-	601-03794	Top Assembly (continued).	
17	300-06291	. Retainer, Panel, Top	2
18	716-02119	. Rubber, Sponge.	2
19	300-06292	. Retainer, Panel, Bottom	2
20	714-02119	. Rubber, Sponge.	2
21	600-03817	. Shield, Light (L. H.)	1
	600-03818	. Shield, Light (R. H.)	1
22	600-03781	. Panel, Decorative (L. H.)	1
	600-03782	. Panel, Decorative (R. H.)	1
23	200-13995	. Screen, Projector	1
24	400-05760	. Glass, Tinted, Enclosure	1
25	600-03772	. Trim, Window (L. H.)	1
	600-03773	. Trim, Window (R. H.)	1
26	200-13950	. Bracket, Stop	2
27	301-06299	. Angle Support Assembly; Top	1
28	200-13863	. Trim, Top and Bottom	2
29	400-05761	. Retainer, Outer Frame, Top	1
30	200-13864	. Trim, Bottom	1
31	400-05762	. Retainer, Outer Frame, Bottom	1
STANDARD PARTS			
B	82733006	Screw, Self-tapping, Hex Wr. Hd., Sems, Type 23, # 8-32 x 3/8	
D	82733008	Screw, Self-tapping, Hex Wr. Hd., Sem, Type 23, # 8-32 x 1/2	



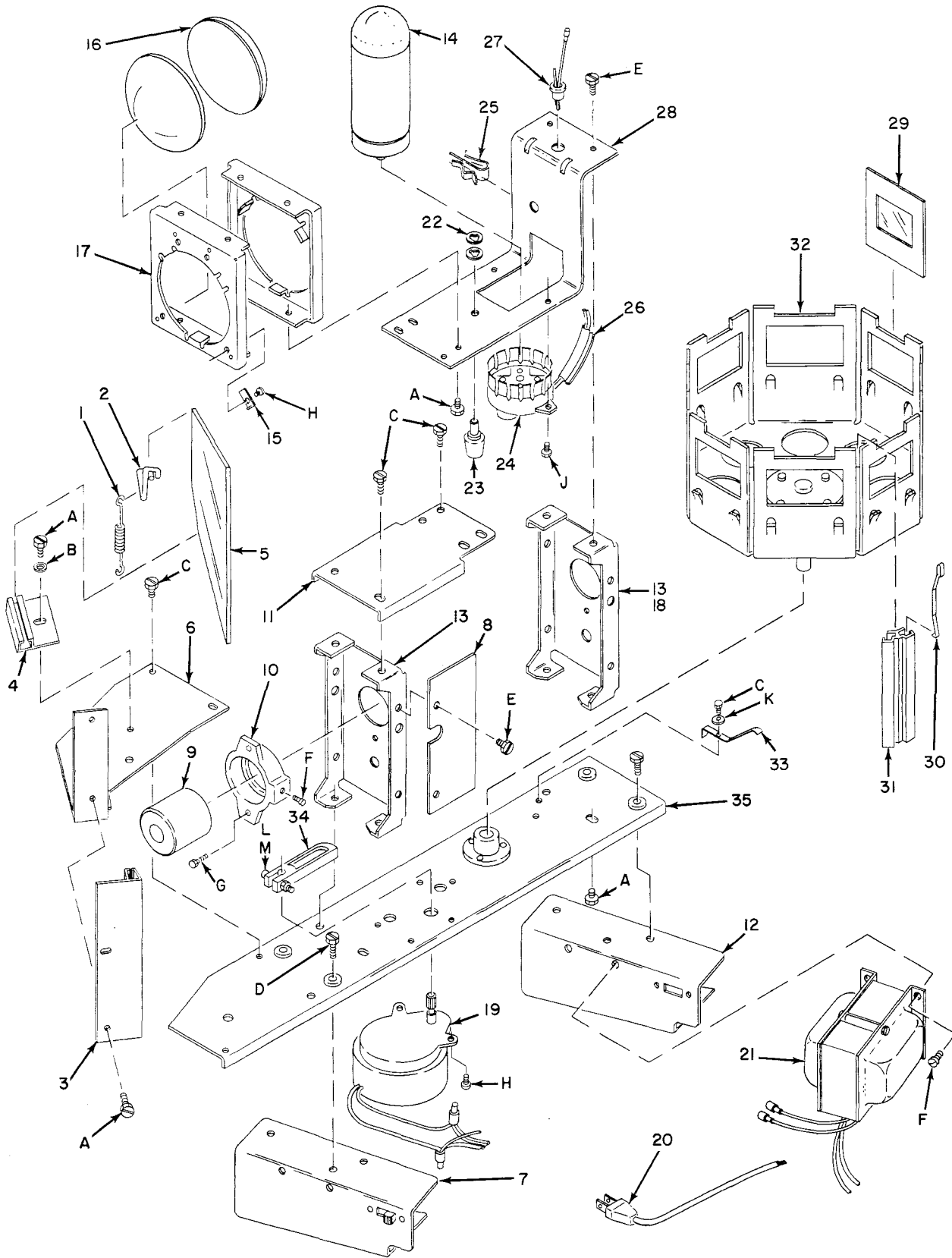
Top Assembly Sheet 3

**FIGURE
17**

Index No.	ROWE PART NO.	DESCRIPTION	Qty. Per Assy.
17-	601-03794	Top Assembly (continued)	
32	200-13955	. Trim, Strip	2
33	400-05774	. Grille, Top	1
34	200-13865	. Trim, Top.	1
35	400-05763	. Retainer, Outer Frame, Front.	1
36	600-03799	. Grille, End	2
37	600-03808	. Grille, Front (L. H.)	1
	600-03809	. Grille, Front (R. H.)	1
38	600-03793	. Support, End Grille.	2
39	600-03778	. Support, Front Grille (L. H.)	1
	600-03779	. Support, Front Grille (R. H.)	1
40	601-03798	. Hood Panel Assembly	1
41	601-03811	. Hood Support Assembly	1
STANDARD PARTS			
A	87843000	Nut, Hex, Keps, # 8-32	
B	82733006	Screw, Self-tapping, Hex Wr. Hd., Sems, Type 23, # 8-32 x 3/8	
D	82733008	Screw, Self-tapping, Hex Wr. Hd, Sems, Type 23, # 8-32 x 1/2	
E	82303607	Screw, Self-tapping, Binding Hd, Phil. Sl., Type 23, (Black Oxide) # 8-32 x 7/16	

FIGURE
18

Slide Projector Assembly



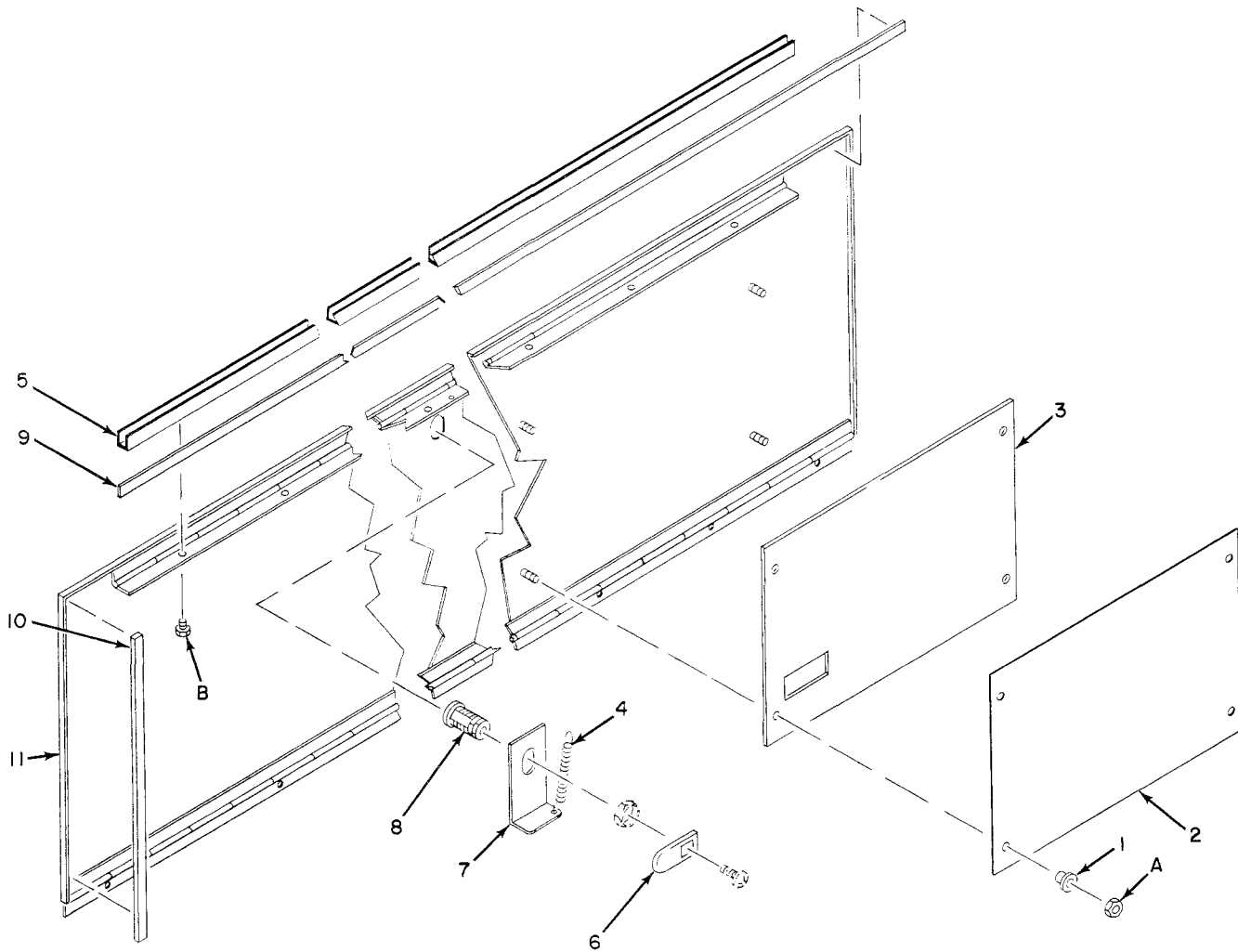
Slide Projector Assembly

**FIGURE
18**

Index No.	ROWE PART NO.	DESCRIPTION	Qty. Per Assy.
18-	601-03789	Slide Projector Assembly (Figure 17, Item 3)	REF.
1	200-13933	. Spring, Mirror	1
2	200-13932	. Clip, Mirror	1
3	200-13931	. Extrusion, Mirror Side	1
4	200-13930	. Extrusion, Mirror Lower	1
5	300-06269	. Mirror	1
6	300-06258	. Bracket, Mirror Holding	1
7	201-13993	. Bracket and Switch Assembly	1
8	200-14032	. Shield, Light	1
9	200-13807	. Lens, Objective	1
10	200-13909	. Mount, Objective Lens	1
11	300-06270	. Support, Condenser	1
12	300-06304	. Bracket Mounting	1
13	300-06268	. Bracket, Rear	2
14	200-13892	. Lamp, Projection, 75W	1
15	200-13893	. Clip, Lens	8
16	200-13806	. Lens, Condenser	2
17	200-13884	. Mount, Condenser Lens	2
18	200-13902	. Clip, Wire	1
	401-05799	. Harness Assembly, Slide Projector	1
19	300-06265	. . Motor, Slide Projector	1
20	726-00500	. . Cord and Plug	1
21	400-05756	. . Autotransformer, Lamp	1
22	200-10899	. . Ring, Retaining	2
23	200-10897	. . Rest, Gripper Bow	1
24	200-10891	. . Socket, Projection	1
25	200-13902	. . Clip, Wire	1
26	200-13907	. . Insulator	1
27	707-02330	. . Bushing, Snap	1
28	400-05749	. . Support, Lamp	1
29	200-13934	. Slide Projection	9
30	200-13905	. Spring, Slide Holder	16
31	300-06266	. Holder, Slide	8
32	301-06277	. Turret Assembly	1
33	200-14060	. Spring, Drag	1
34	200-13878	. Arm, Drive	1
35	301-06274	. Base Assembly	1
STANDARD PARTS			
A	82733004	Screw, Self-tapping, Hex Wr. Hd., Sems, Type 23, # 8-32 x 1/4	
B	88933000	Washer, Flat, # 8	
C	82732304	Screw, Self-tapping, Hex Wr. Hd., Sems, Type 23, # 6-32 x 1/4	
D	82734410	Screw, Self-tapping, Hex Wr. Hd., Sems, Type 23, # 10-32 x 5/8	
E	82733006	Screw, Self-tapping, Hex Wr. Hd., Sems, Type 23, # 8-32 x 3/8	
F	80025010	Screw, Machine, Fillister Hd., Nylon, # 10-32 x 5/8	
G	82732306	Screw, Self-tapping, Hex Wr. Hd., Sems, Type 23, # 6-32 x 3/8	
H	82542304	Screw, Self-tapping, Round Hd., Phil. Sl., Type 23, # 6-32 x 1/4	
J	80432304	Screw, Self-tapping, Hex Wr. Hd., Swage Form, # 6-32 x 1/4	
K	88932300	Washer, Flat, # 6	
L	80751610	Screw, Cap, Socket Hd., # 4-40 x 5/8	
M	87841600	Nut, Hex, Keps, # 4-40	

**FIGURE
19**

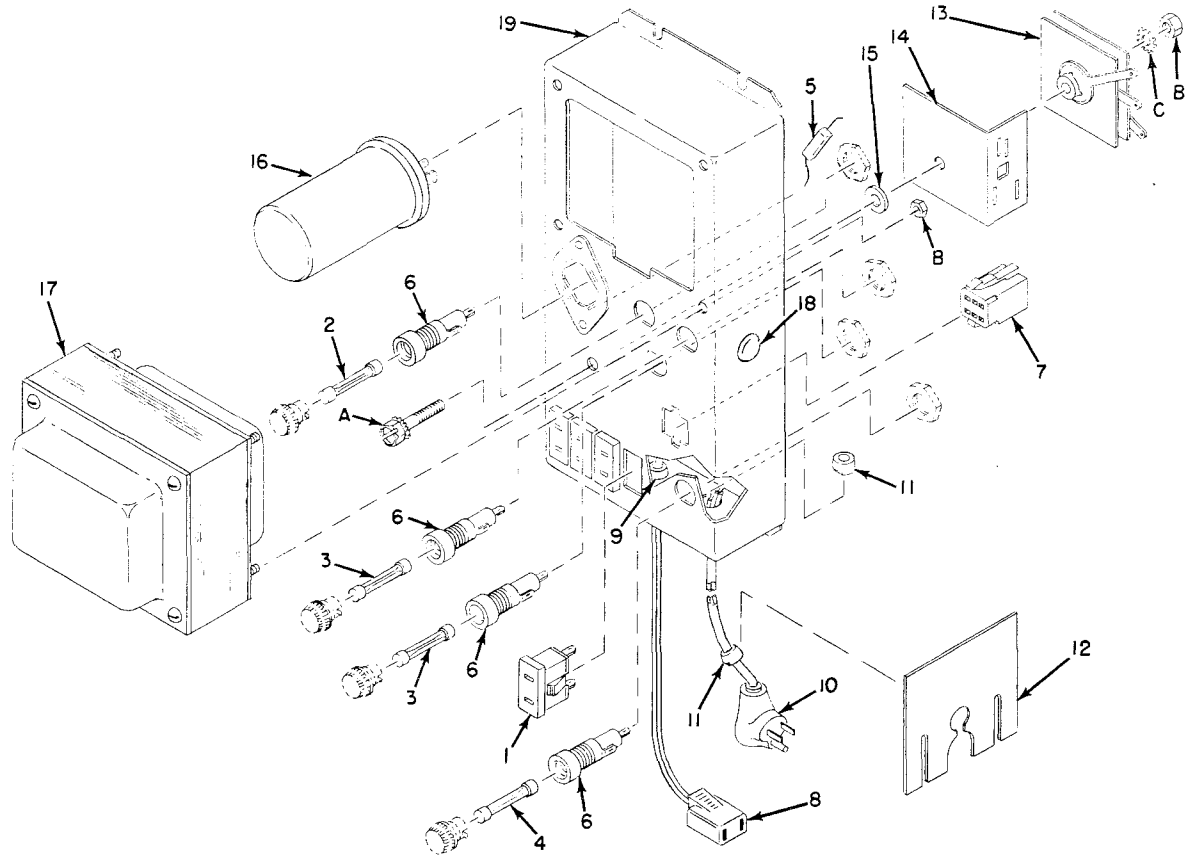
Cover and Lock Assembly



Index No.	ROWE PART NO.	DESCRIPTION	Qty. Per Assy.
19-	401-05777	Cover and Lock Assembly (Figure 17, Item 1)	REF.
1	707-02330	. Bushing, Snap	4
2	300-06324	. Deflector, Heat	1
3	300-06325	. Pad, Insulation	1
4	200-14015	. Spring, Tension	1
5	300-06313	. Channel, Locking	1
6	200-14008	. Bolt, Lock	1
7	200-14009	. Bracket, Mounting, Spring	1
8	714-01630	. Lock, Cylinder	1
9	707-02201	. Tape, Foam	1
10	706-02201	. Tape, Foam	2
11	401-05775	. Top Cover Assembly	1
STANDARD PARTS			
A	87843000	Nut, Hex, Keps, # 8-32	
B	82733006	Screw, Self-tapping, Hex Wr. Hd., Sems, Type 23, #8-32 x 3/8	

Junction Box Assembly

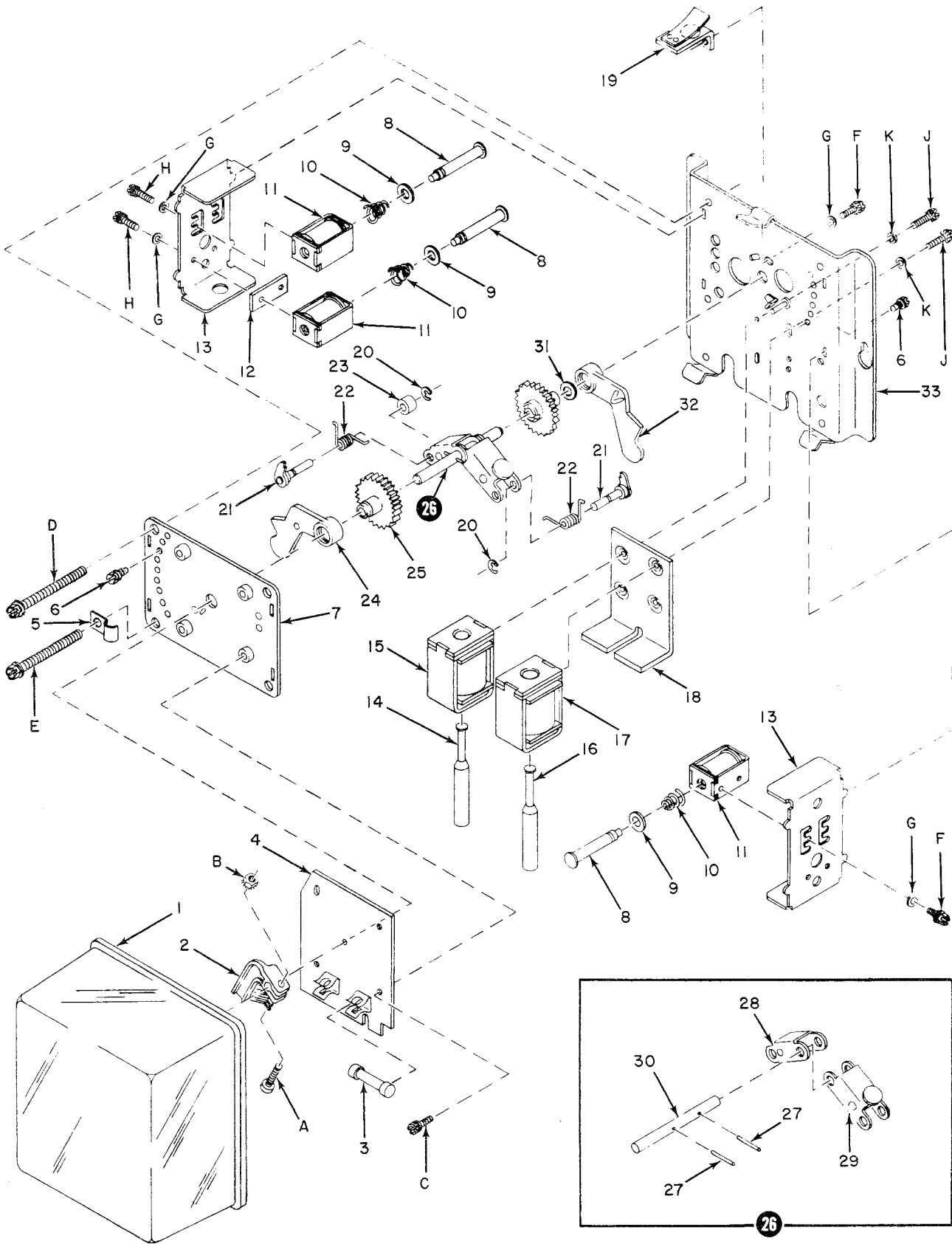
**FIGURE
20**



Index No.	ROWE PART NO.	DESCRIPTION	Qty. Per Assy.
20-	401-05767	Junction Box (Figure 1, Item 54)	REF.
1	200-11240	. Outlet, Push-in	4
2	716-00721	. Fuse, Cartridge, 2.8 Amps.	2
3	721-00721	. Fuse, Cartridge, 6.25 Amps.	1
4	702-00720	. Fuse, Cartridge, 8 Amps.	1
5	702-00117	. Resistor, Wire Wound, 500 ohms, 5W.	1
6	200-00861	. Fuse holder, Thermal	4
7	202-12444	. Housing, Socket	1
8	201-13360	. Cord and Receptacle Assembly	1
9	701-02321	. Relief, Strain	1
10	200-11212	. Cord and Plug Assembly	1
11	704-02321	. Relief, Strain	1
12	200-14059	. Cover, Cord Hole	1
13	200-09619	. Rectifier	1
14	200-09622	. Insulator, Rectifier	1
15	719-01200	. Washer, Flat	1
16	200-13954	. Capacitor, Electrolytic, 1000 MFD, 50V.	1
17	400-05751	. Transformer	1
18	200-05486	. Button, Plug	1
19	302-05612	. Junction Box Assembly with Lettering	1
STANDARD PARTS			
A	80733024	Screw, Machine, Hex Wr. Hd., Sems, #8-32 x 1-1/2	
B	87833000	Nut, Hex, #8-32	
C	88903000	Lockwasher, External, #8	

FIGURE
21

Credit Unit Assembly



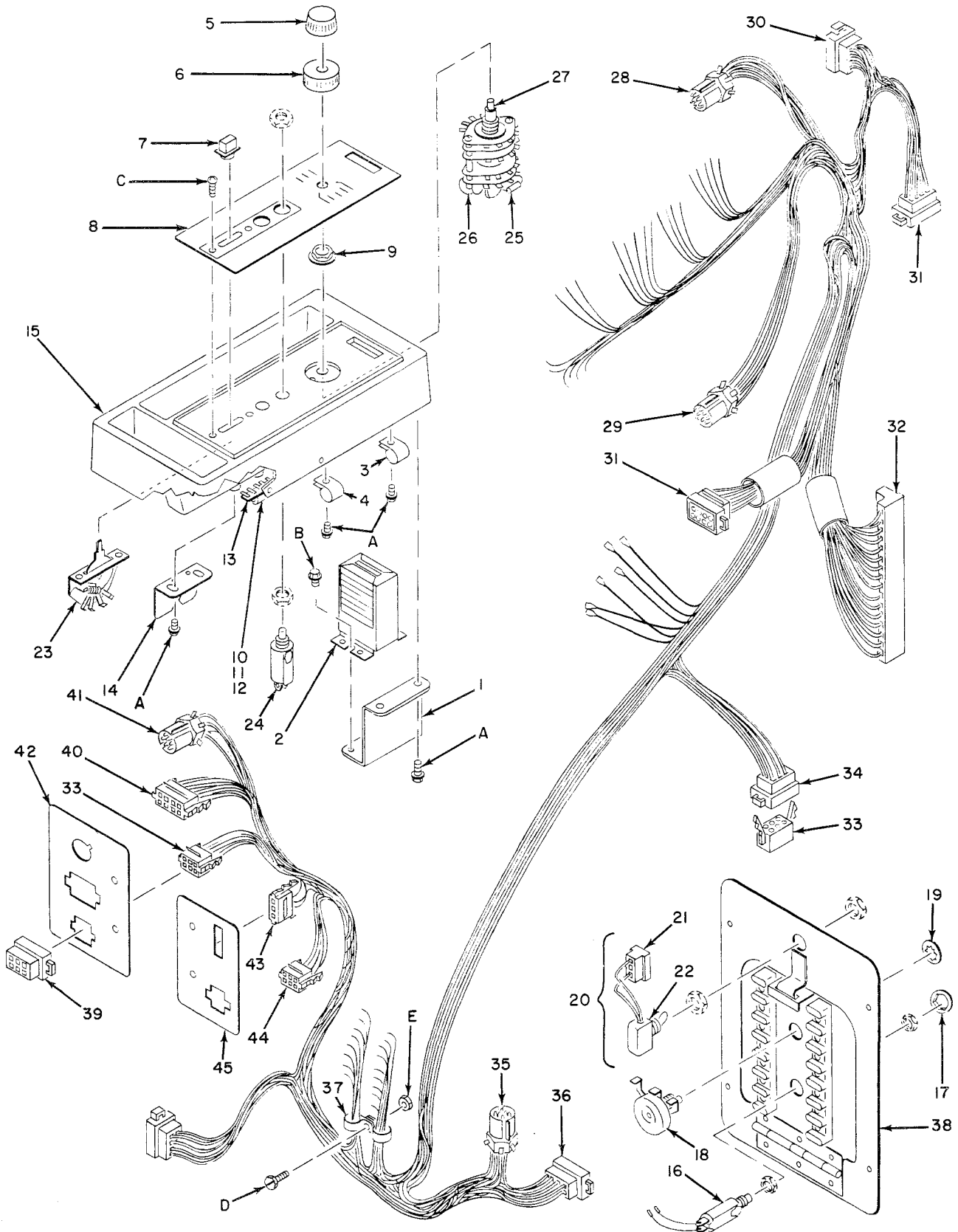
Credit Unit Assembly

**FIGURE
21**

Index No.	ROWE PART NO.	DESCRIPTION	Qty. Per Assy.
21-	603-03300	Credit Unit Assembly (Figure 1, Item 56)	REF.
1	400-05297	. Cover	1
2	301-05832	. Wiper Assembly	1
3	703-00721	. Fuse	1
4	302-05580	. Switch Circuit Assembly	1
5	200-00130	. Clip, Cable	1
6	200-07468	. Screw, Stop	2
7	201-12056	. Front Plate Assembly	1
8	201-12019	. Stop Plunger and Tip Assembly	3
9	712-01207	. Washer, Flat	3
10	200-11533	. Spring, Compression	3
11	201-12859	. Stop Solenoid Assembly	3
12	200-12060	. Plate, Spacer	1
13	300-05575	. Frame, Side	2
14	201-07756	. Plunger and Tip Assembly (Credit)	1
15	204-11505	. Solenoid Assembly (Credit)	1
16	202-07756	. Plunger and Tip Assembly (Cancel)	1
17	205-11505	. Solenoid Assembly (Cancel)	1
18	200-12951	. Bracket, Solenoid	1
19	201-07792	. Detent Assembly	1
20	701-01430	. Ring, Retaining	2
21	201-12055	. Pawl and Shaft Assembly	2
22	200-12068	. Spring, Pawl	2
23	724-01215	. Spacer	1
24	200-07484	. Arm, Stop (Credit)	1
25	200-12052	. Wheel, Ratchet	2
26	202-12058	. Roller Bracket and Shaft Assembly	1
27	716-01130	. Pin, Roll	2
28	201-07825	. Bracket and Roller Assembly	1
29	201-11568	. Bracket and Roller Assembly	1
30	200-07467	. Shaft	1
31	707-01216	. Spacer	A/R
32	200-12949	. Arm, Stop (Cancel)	1
33	301-05834	. Back Plate Assembly	1
STANDARD PARTS			
A	80751610	Screw, Cap, Socket Hd., # 4-40 x 5/8	
B	87841600	Nut, Hex, Keps	
C	80683004	Screw, Machine, Hex Wr. Hd., # 8-32 x 1/4	
D	80734432	Screw, Machine, Hex Wr. Hd., Sems, # 10-32 x 2	
E	80684432	Screw, Machine, Hex Wr. Hd., # 10-32 x 2	
F	80732304	Screw, Machine, Hex Wr. Hd., Sems, # 6-32 x 1/4	
G	88932300	Washer, Flat, # 6	
H	80732306	Screw, Machine, Hex Wr. Hd., Sems, # 6-32 x 3/8	
J	80733008	Screw, Machine, Hex Wr. Hd., Sems, # 8-32 x 1/2	
K	88933000	Washer, Flat, # 8	

FIGURE 22

Harness and Console Assembly



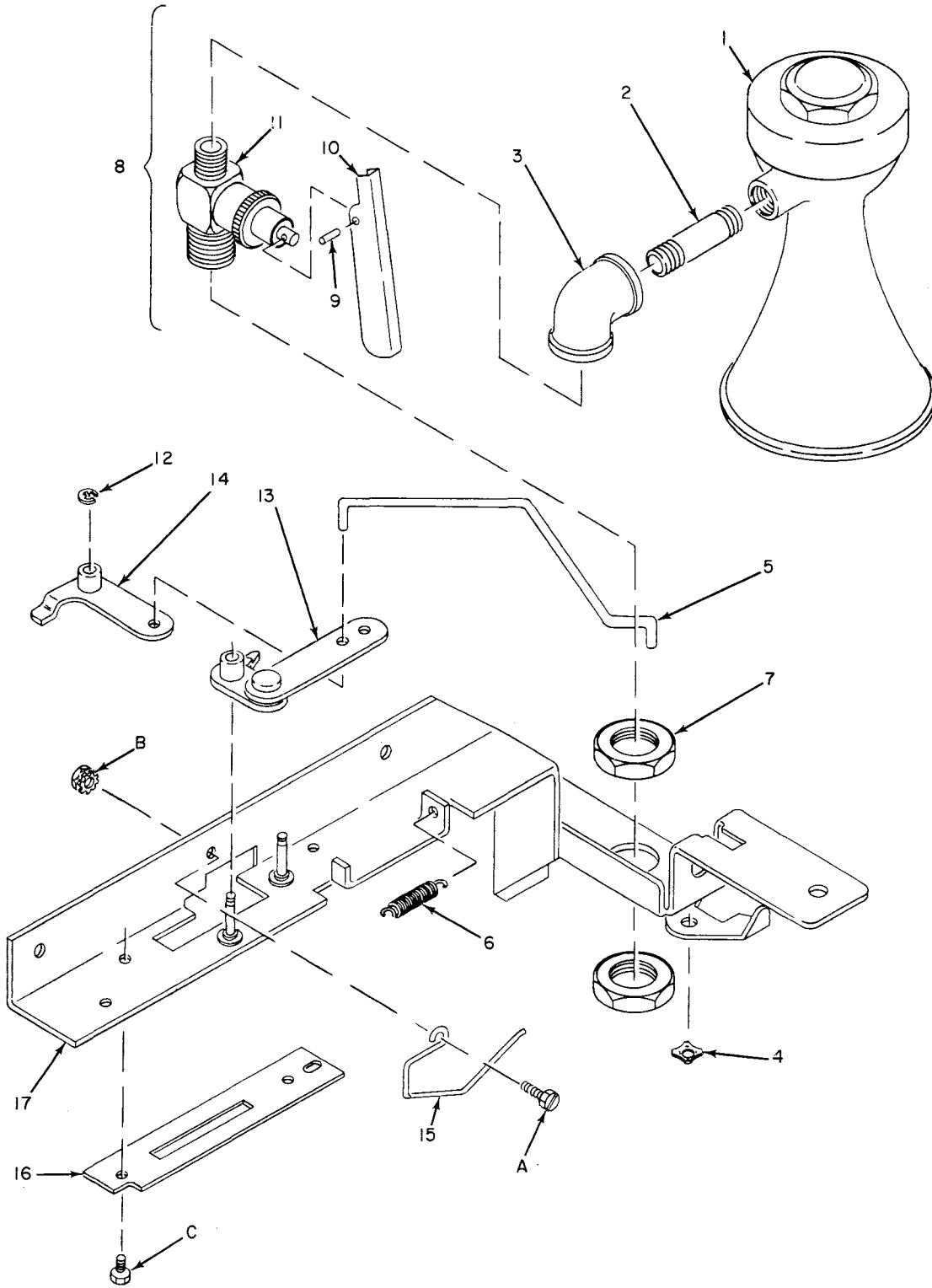
Harness and Console Assembly

**FIGURE
22**

Index No.	ROWE PART NO.	DESCRIPTION	Qty. Per Assy.
22-	601-03803	Harness and Console Assembly (Figure 1, Item 134)	REF.
1	200-13129	. Bracket, Mounting	1
2	200-12945	. Counter, Electric	1
3	707-00931	. Clamp, Cable	1
4	704-00931	. Clamp, Cable	1
5	200-13096	. Knob, Price Switch	1
6	200-13097	. Knob, Price Switch	1
7	200-11016	. Knob, Switch Lever	1
8	300-05967	. Escutcheon, Control Console	1
9	200-12142	. Palnut	1
	201-13957	. Terminal Strip Assembly	1
10	711-00231	. . Capacitor, Electrolytic, 500 MFD, 50V	1
11	719-00106	. . Resistor, Carbon, 1 K ohms, 1/2W	1
12	703-00350	. . Diode, Silicon, 1N 457A	1
13	200-00999	. . Strip, Terminal	1
14	200-13050	. Bracket, Catch	1
15	600-03804	. Console, Control	1
16	201-13958	. Cancel and Terminal Assembly	1
17	200-02649	. Palnut	1
18	201-13935	. Volume Control and Terminal Assembly	1
19	200-00490	. Lockwasher	1
20	201-13972	. Plug and Switch Assembly	1
21	206-12445	. . Housing, Pin, 2 Circuits	1
22	202-13081	. . Cord and Switch Assembly	1
	601-03790	. Harness Assembly, Phonograph	1
23	200-11009	. . Switch	1
24	200-12500	. . Switch, Pushbutton, Momentary Contact	2
25	702-00350	. . Diode Silicon	1
26	725-00223	. . Capacitor, Ceramic Disc, 0.02 MFD, 1000V	3
27	301-05952	. . Switch Price	1
28	203-13541	. . Housing, Cap, Combo-Line (7 Circuit)	1
29	204-13541	. . Housing, Cap, Combo-Line (7 Circuit)	1
30	205-12445	. . Housing, Pin, (15 Circuit)	1
31	202-12445	. . Housing, Pin, (6 Circuit)	2
32	206-11575	. . Connector, Edge (18 Circuit)	1
33	203-12444	. . Housing, Socket (9 Circuit)	2
34	203-12445	. . Housing, Pin (9 Circuit)	2
35	201-13541	. . Housing, Cap, Combo-Line (7 Circuit)	1
36	204-12445	. . Housing, Pin, (12 Circuit)	1
37	704-00931	. . Clamp, Cable	2
38	301-06225	. . Access Door Assembly	1
39	201-13430	. . Plug, Jumper	1
40	204-12444	. . Housing, Socket (12 Circuit)	1
41	204-13540	. . Housing, Plug, Combo-Line (7 Circuit)	1
42	200-13961	. . Plate, Plug Mounting	1
43	201-12444	. . Housing, Socket (3 Circuit)	1
44	202-12444	. . Housing, Socket (6 Circuit)	1
45	200-13988	. . Plate, 2 Plug Mounting	1
STANDARD PARTS			
A	82734406	Screw, Self-tapping, Hex Wr. Hd., Sems, Type 23, # 10-32 x 3/8	
B	82733006	Screw, Self-tapping, Hex Wr. Hd., Sems, Type 23, # 8-32 x 3/8	
C	80352304	Screw, Machine, Round Hd., Phil. Sl., # 6-32 x 1/4	
D	82343512	Screw, Self-tapping, Pan Hd., Phil. Sl., Type 23 (chrome) # 8-32 x 3/4	
E	87843000	Nut, Hex, Keps, # 8-32	

FIGURE
23

Burglar Alarm Assembly



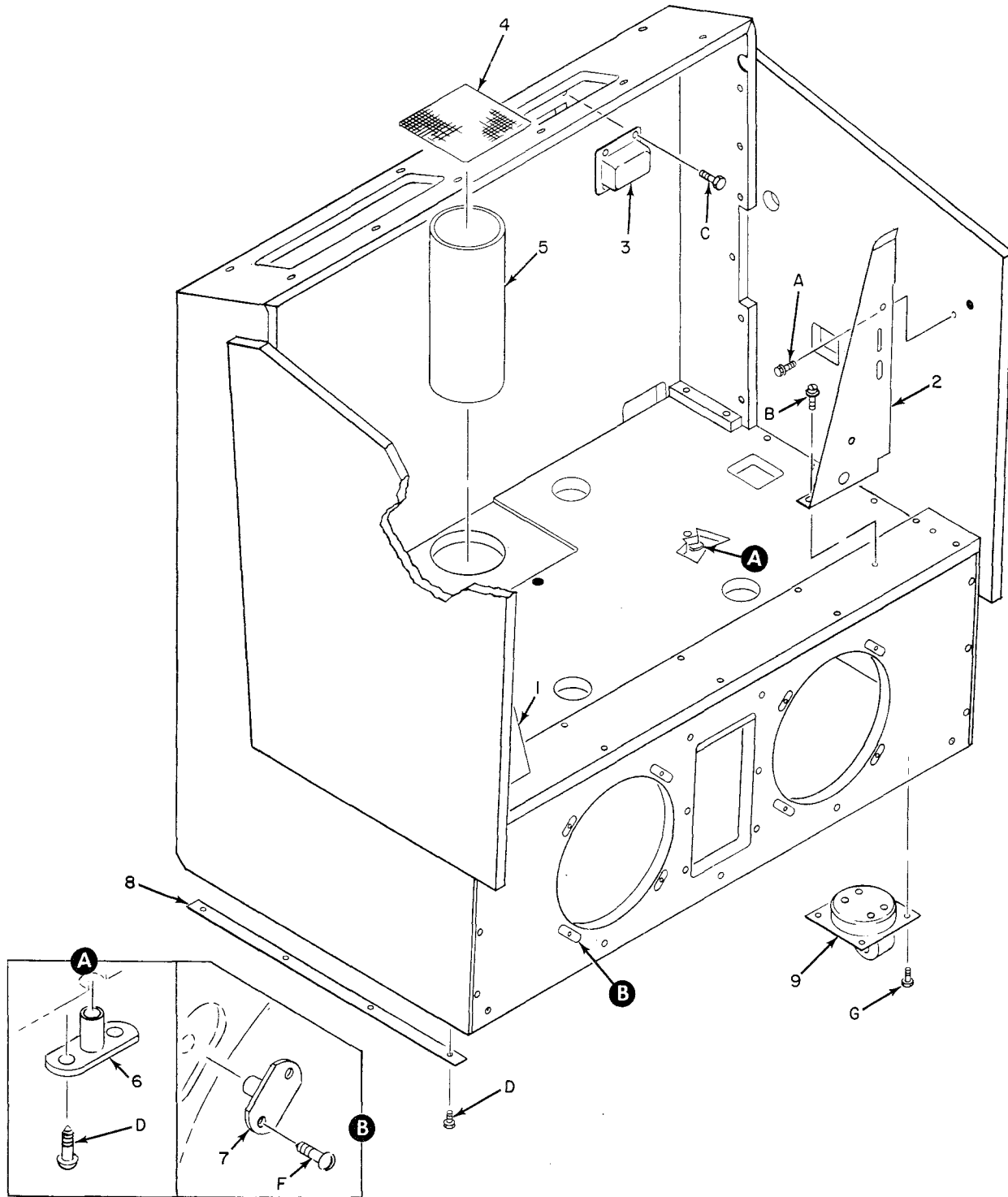
Burglar Alarm Assembly

**FIGURE
23**

Index No.	ROWE PART NO.	DESCRIPTION	Qty. Per Assy.
23-	601-03813	Burglar Alarm Assembly (Figure 1, Item 97)	REF.
1	200-13990	. Horn, Alarm.	1
2	200-14014	. Nipple.	1
3	200-14013	. Elbow.	1
4	701-01437	. Ring, Retaining, Triangular.	2
5	200-14035	. Rod, Actuating.	1
6	200-14024	. Spring, Handle Return	2
7	712-01301	. Palnut, # 9/16-18	2
8	201-14018	. Valve and Handle Assembly	1
9	722-01101	. . Pin, Drive, 3/32 x 5/16	1
10	200-14011	. . Handle, Alarm Valve	1
11	200-14000	. . Valve, Horn	1
12	701-01430	. Ring, Retaining	2
13	201-14021	. Trigger and Link Assembly	1
14	201-14020	. Trigger Assembly	1
15	200-06947	. Spring, Lock.	1
16	200-14019	. Plate, Bolt Stop	1
17	301-06321	. Bracket and Latch Assembly	1
STANDARD PARTS			
A	80683006	Screw, Machine, Hex Wr. Hd., # 8-32 x 3/8	
B	87843000	Nut, Hex, Keps, # 8-32	
C	80732304	Screw, Machine, Hex Wr. Hd., Sems, # 6-32 x 1/4	

**FIGURE
24**

Shell Assembly



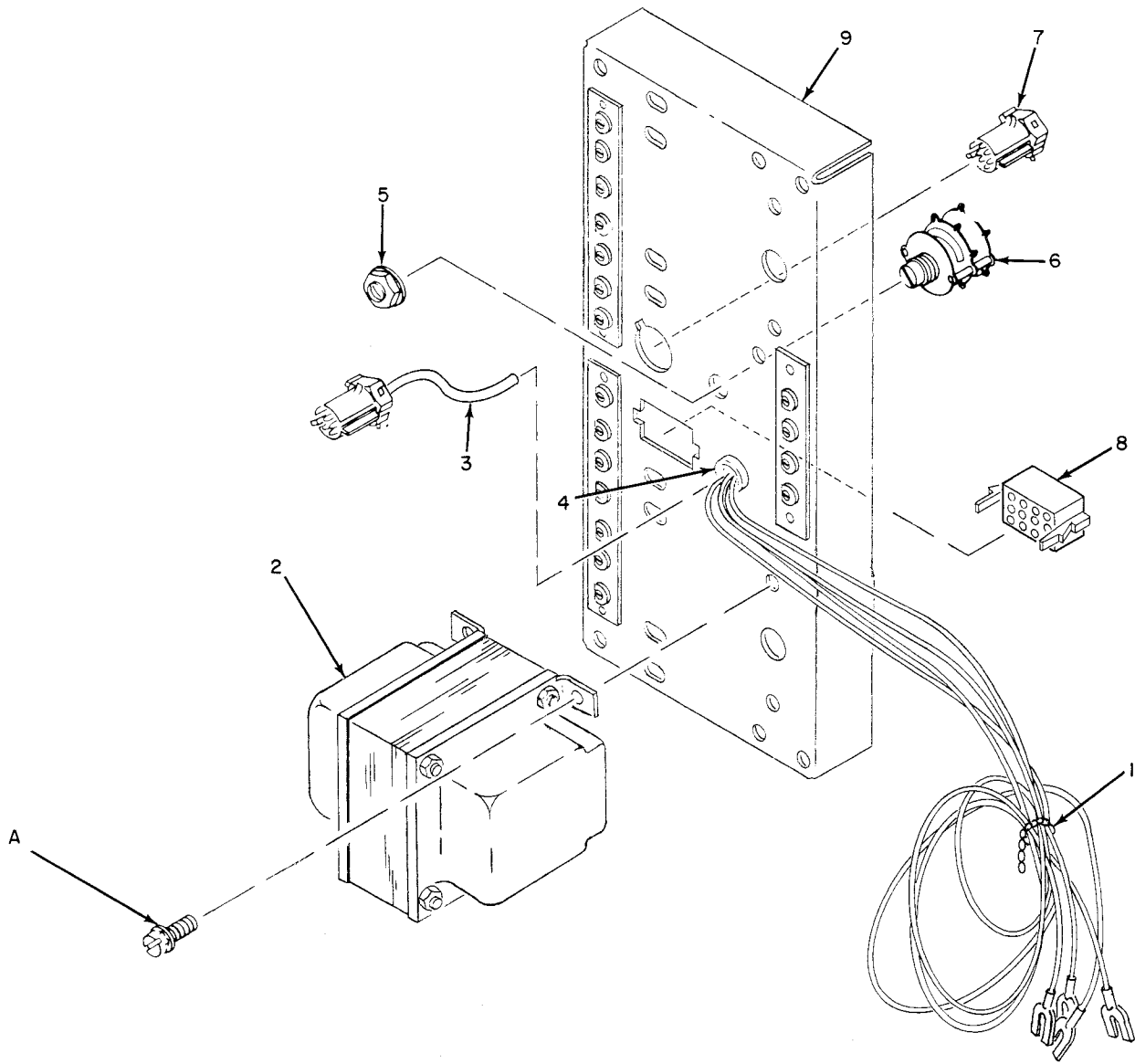
Shell Assembly

**FIGURE
24**

Index No.	ROWE PART NO.	DESCRIPTION	Qty. Per Assy.
24-	601-03750	Shell Assembly (Figure 1, Item 145)	REF.
1	400-05650	. Gusset (L. H.)	1
2	400-05651	. Gusset (R. H.)	1
3	300-06257	. Cover, Hand Hole	4
4	719-02401	. Screen, Wire Mesh	2
5	200-13874	. Tube, Vent	2
6	200-11006	. Teenut (Mechanism Tie-down)	2
7	200-13555	. Teenut (Speaker Mounting)	8
8	200-13844	. Strap, Protective	2
9	301-06068	. Caster and Cup Assembly	4
STANDARD PARTS			
A	86354410	Screw, Self-tapping, Round Hd., Phil. Sl., Type 17, # 10 x 5/8	
B	86354416	Screw, Self-tapping, Round Hd., Phil. Sl., Type 17, # 10 x 1	
C	86363010	Screw, Self-tapping, Round Wr. Hd., Phil. Sl., Type 17, # 8 x 5/8	
D	86353010	Screw, Self-tapping, Round Hd., Phil. Sl., Type 17, # 8 x 5/8	
E	86353008	Screw, Slef-tapping, Round Hd., Phil. Sl., Type 17, # 8 x 1/2	
F	86352308	Screw, Self-tapping, Round Hd., Phil. Sl., Type 17, # 6 x 1/2	
G	86364410	Screw, Self-tapping, Round Wr. Hd., Phil. Sl., Type 17, # 10 x 5/8	

FIGURE
25

Output Transformer Assembly 50 Watt



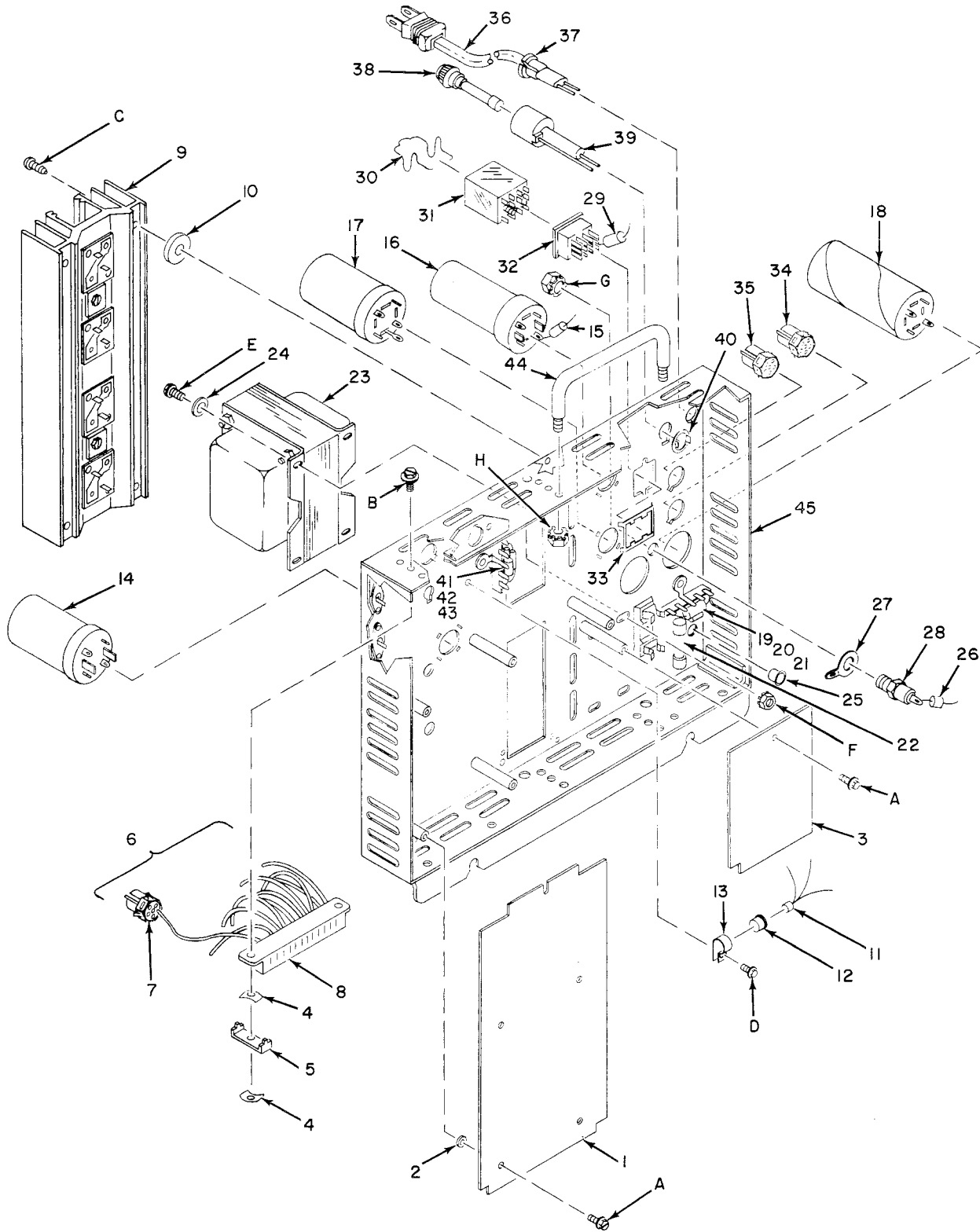
Output Transformer Assembly 50 Watt

**FIGURE
25**

Index No.	ROWE PART NO.	DESCRIPTION	Qty. Per Assy.
25-	401-05770	Output Transformer Assembly (50W) (Figure 1, Item 52)	REF.
1	200-50239	. Tie, Wire	1
2	400-05782	. Transformer, Output	2
3	301-06327	. Plug and Cable Assembly	1
4	701-02331	. Relief, Strain	3
5	200-02649	. Palnut	1
	301-06305	. Connector and Switch Assembly	1
6	200-12642	. . Switch, Rotary	1
7	201-13540	. . Housing, Plug, Combo-Line, 7 Circuit	1
8	301-06303	. Plug and Cable Assembly	1
9	401-05776	. Chassis with Lettering	1
STANDARD PARTS			
A	80733008	Screw, Machine, Hex Wr. Hd., Sems, # 8-32 x 1/2	
B	87843000	Nut, Hex, Keps, # 8-32	

FIGURE
26

Stereo Amplifier Assembly 50 Watt



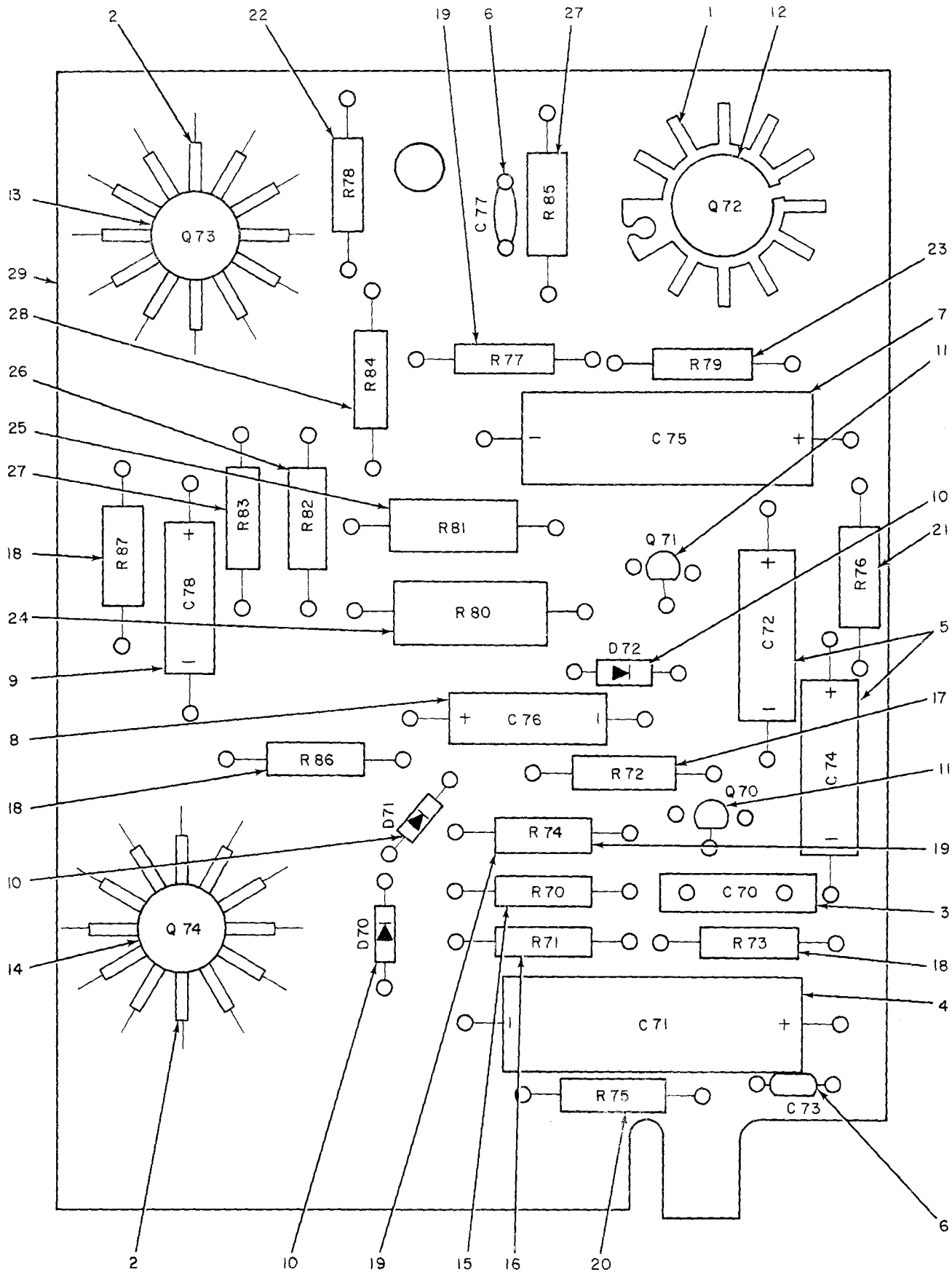
Stereo Amplifier Assembly 50 Watt

**FIGURE
26**

Index No.	ROWE PART NO.	DESCRIPTION	Qty. Per Assy.
26-	601-03812	Stereo Amplifier Assembly(50 W)(Figure 1, Item 51)	REF.
1	601-03758	. . Pre-Amplifier Assembly (See Figure 29)	1
2	606-01208	. . Washer, Felt	4
	602-03795	. . Power Amplifier Assembly	1
3	401-05771	. . Driver Board Assembly (See Figure 27)	1
4	200-10898	. . Nut, Push-on	12
5	200-09295	. . Bracket, Retaining	6
6	301-06256	. . Connector and Cable Assembly	1
7	201-13540	. . Plug, Housing, Combo-Line	1
8	208-13333	. . Connector, Edge	1
9	401-05769	. . Heat Sink Assembly (See Figure 28)	1
10	718-01208	. . Washer, Flat	4
11	704-00310	. . Transistor, Silicon, NPN	1
12	702-01460	. . Bearing	1
13	723-00931	. . Clamp	1
14	200-13047	. . Capacitor, Electrolytic, 1000/1000 MFD, 35V.	1
15	712-00212	. . Capacitor, Mylar, 0.1 MFD, 100 V	2
16	200-09246	. . Capacitor, Electrolytic, 1500 MFD, 75V.	1
17	200-09267	. . Capacitor, Electrolytic, 500/500 MFD, 75 V.	1
18	200-09266	. . Capacitor, Electrolytic, 2000 MFD, 50V.	2
19	724-00107	. . Resistor, Carbon, 22 ohms, 1/2 W	2
20	705-00104	. . Resistor, Carbon, 1.5 K, 1/2W.	2
21	704-00213	. . Capacitor, Mylar, 0.22 MFD, 100V.	2
22	708-00720	. . Fuse, Cartridge, 3 Amp.	1
23	400-02400	. . Transformer	1
24	710-01200	. . Washer, Flat	4
25	701-02331	. . Bushing, Insulating	1
26	701-00213	. . Capacitor, Mylar, 0.1 MFD, 400 V	3
27	702-00917	. . Lug, Solder.	2
28	200-09214	. . Rectifier	2
29	713-00102	. . Resistor, Carbon, 10K, 1/2 W	1
30	200-12869	. . Spring, Relay	1
31	200-13261	. . Relay	1
32	200-10475	. . Socket, Relay	1
33	200-10474	. . Retainer, Socket	1
34	201-13877	. . Combo-Line Plug Assembly	1
35	202-13877	. . Combo-Line Plug Assembly	1
36	704-00500	. . Cord and Plug.	1
37	701-02321	. . Relief, Strain.	1
38	200-11445	. . Fuse, 3.2 Amp.	1
39	200-11444	. . Fuseholder	1
40	200-11446	. . Clip, Fuseholder	1
41	702-00117	. . Resistor, Wire Wound, 500 ohm, 5 W	1
42	712-00355	. . Diode, Zener, 1N4749	1
43	716-00104	. . Resistor, Carbon, 2.7K, 1/2W	1
44	200-08079	. . Handle	1
45	602-03802	. . Chassis Assembly with Lettering	1
STANDARD PARTS			
A	80683004	Screw, Machine, Hex Wr. Hd., # 8-32 x 1/4	
B	80732307	Screw, Machine, Hex Wr. Hd., Sems, # 6-32 x 7/16	
C	86353010	Screw, Self-tapping, Round Hd., Phil. Sl., Type 17, # 8 x 5/8	
D	82682305	Screw, Self-tapping, Hex Wr. Hd., Type 23, # 6-32 x 5/16	
E	80733006	Screw, Machine, Hex Wr. Hd., Sems, # 8-32 x 3/8	
F	87843000	Nut, Hex, Keps, # 8-32	
G	87844400	Nut, Hex, Keps, # 10-32	
H	87845700	Nut, Hex, Keps, # 1/4-20	

FIGURE
27

Driver Board Assembly 50 Watt



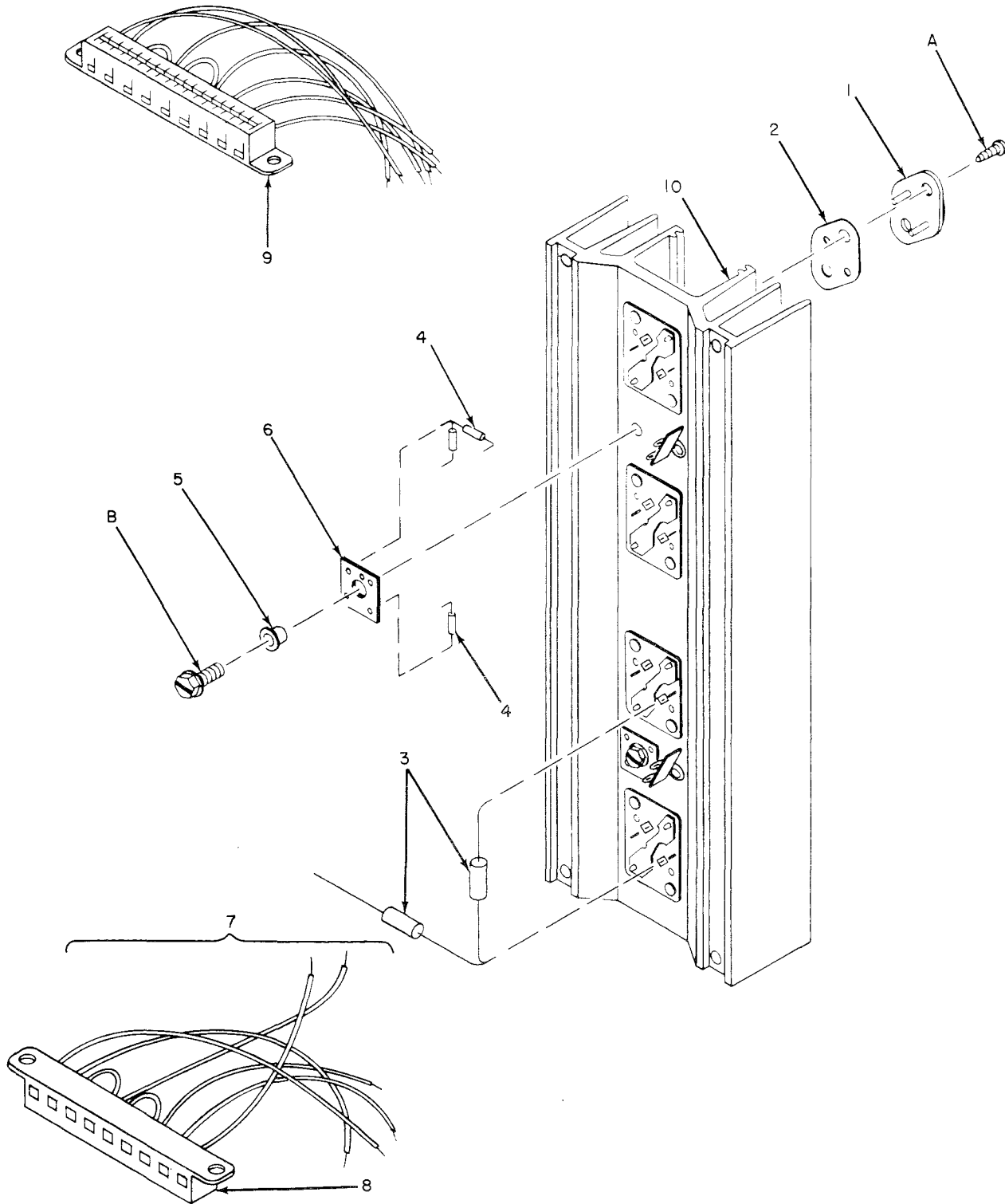
Driver Board Assembly 50 Watt

**FIGURE
27**

Index No.	ROWE PART NO.	DESCRIPTION	Qty. Per Assy.
27-	401-05771	Driver Board Assembly (50W) (Figure 26, Item 3)	REF.
1	200-13553	. Heat Sink	1
2	200-13886	. Heat Sink	2
3	702-00240	. Capacitor, Mylar, 0.1 MFD, 100V (C70)	1
4	707-00233	. Capacitor, Electrolytic, 100 MFD, 25V (C71)	1
5	705-00233	. Capacitor, Electrolytic, 25 MFD, 15V (C72; C74)	2
6	706-00224	. Capacitor, Ceramic Disc, 0.00022 MFD, 100V (C73; C77)	2
7	708-00233	. Capacitor, Electrolytic, 500 MFD, 3V (C75)	1
8	701-00233	. Capacitor, Electrolytic, 5 MFD, 15V (C76)	1
9	703-00233	. Capacitor, Electrolytic, 5 MFD, 50V (C78)	1
10	703-00350	. Diode, Silicon, # 1N457A (D70; D71; D72)	3
11	703-00300	. Transistor, Silicon, NPN (Q70; Q71)	2
12	703-00310	. Transistor, Silicon, NPN (Q72)	1
13	703-00320	. Transistor, Silicon, 2N4239 (Q73)	1
14	704-00320	. Transistor, Silicon, 2N4236 (Q74)	1
15	711-00102	. Resistor, Carbon, 470K, 1/2W (R70)	1
16	724-00106	. Resistor, Carbon, 680K, 1/2W (R71)	1
17	704-00107	. Resistor, Carbon, 270K, 1/2W (R72)	1
18	722-00102	. Resistor, Carbon, 100 ohms, 1/2W (R73; R86; R87)	3
19	707-00104	. Resistor, Carbon 3.9K, 1/2W (R74; R77)	2
20	713-00102	. Resistor, Carbon, 10K, 1/2W (R75)	1
21	702-00104	. Resistor, Carbon, 470 ohms, 1/2W (R76)	1
22	707-00106	. Resistor, Carbon, 33K, 1/2W (R78)	1
23	716-00109	. Resistor, Carbon, 33 ohms, 1/2W (R79)	1
24	719-00105	. Resistor, Carbon, 1K, 2W (R80)	1
25	704-00103	. Resistor, Carbon, 100 ohms, 1W (R81)	1
26	719-00106	. Resistor, Carbon, 1K, 1/2W (R82)	1
27	708-00106	. Resistor, Carbon, 15K, 1/2W (R83; R85)	2
28	719-00102	. Resistor, Carbon, 68 ohms, 1/2W (R84)	1
29	400-05772	. Circuit Board Assembly	1

**FIGURE
28**

Heat Sink Assembly 50 Watt

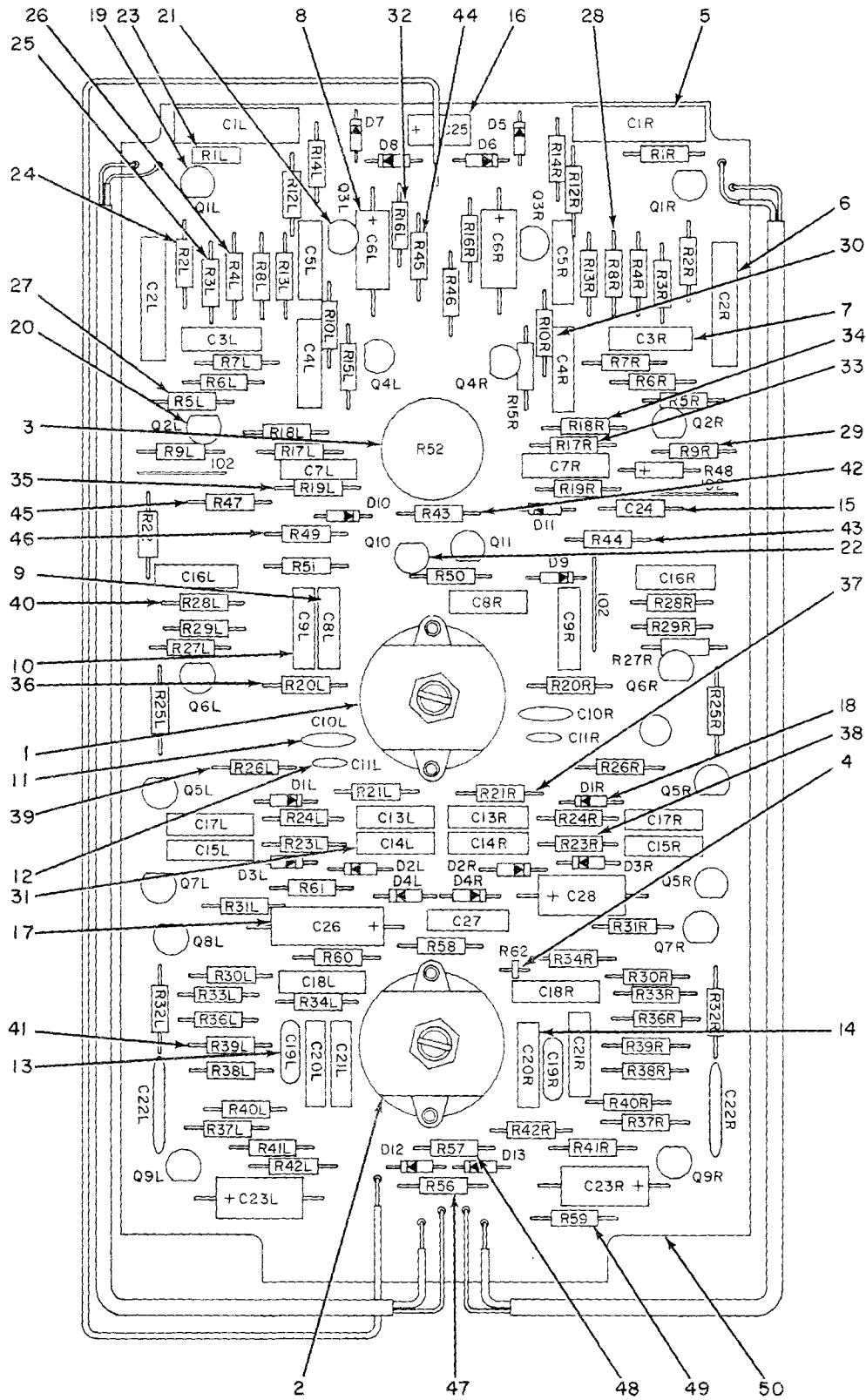


Heat Sink Assembly 50 Watt

**FIGURE
28**

Index No.	ROWE PART NO.	DESCRIPTION	Qty. Per Assy.
28-	401-05769	Heat Sink Assembly (Figure 26, Item 9)	REF.
1	702-00305	. Transistor, Power, Silicon, NPN, 2N3055.	4
2	200-13189	. Spacer, Mica.	4
3	714-00113	. Resistor, Carbon, 47 ohms, 2W	4
4	703-00350	. Diode, Silicon, #1N457A.	6
5	202-03709	. Eyelet	2
6	200-09313	. Plate, Diode Mounting.	2
7	301-06300	. Connector and Cable Assembly	1
8	208-13333	. . Connector, Edge	2
9	302-06300	. Connector and Cable Assembly	1
10	300-05937	. Heat Sink.	1
STANDARD PARTS			
A	84352310	Screw, Self-Tapping, Round Hd., Phil. Sl., Type A, # 6 x 5/8	
B	85683008	Screw, Machine, Pan Hd., Phil. Sl., # 8-32 x 1/2	

Pre-Amplifier Assembly

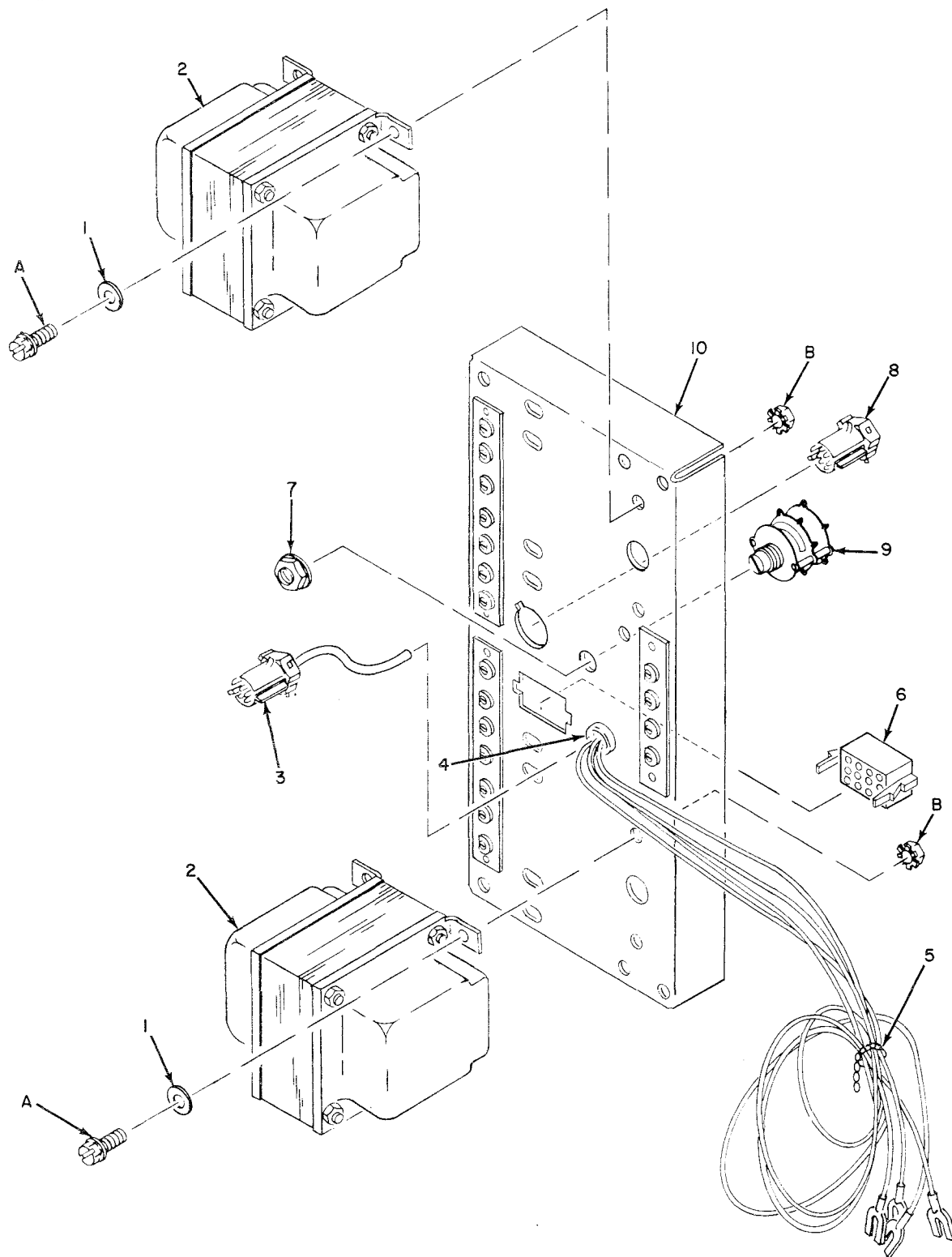


Pre-Amplifier Assembly

Index No.	ROWE PART NO.	DESCRIPTION	Qty. Per Assy.
29-	601-03758	Pre-Amplifier Assembly (Fig. 26, Item 1 and Fig. 31, Item 2) . . .	REF.
1	200-13024	. Switch, Rotary, 4 Pole, 3 Position	1
2	200-13025	. Switch, Rotary, 2 Pole, 3 Position	1
3	200-13023	. Potentiometer, Linear, 100 ohm (R52)	1
4	701-00370	. Thermistor, 51K @ 25° C (R62)	1
5	701-00240	. Capacitor, Mylar, 0.47 MFD, 100V (C1L; C1R)	2
6	703-00240	. Capacitor, Mylar, 0.22 MFD, 100V (C2L;C2R)	2
7	702-00240	. Capacitor, Mylar, 0.1 MFD, 100 V (C3L;C3R;C4L;C4R;C5L;C5R; C7L; C7R; C13L; C13R; C14L; C14R; C15L; C15R; C16L; C16R; C17L; C17R; C18L; C18R; C21L; C21R; C27)	23
8	702-00233	. Capacitor, Electrolytic, 5 MFD, 25 V. (C6L; C6R; C23L; C23R; C28)	5
9	704-00240	. Capacitor, Mylar, 0.022 MFD, 100 V (C8L; C8R)	2
10	707-00240	. Capacitor, Mylar, 0.01 MFD, 100 V (C9L; C9R)	2
11	703-00224	. Capacitor, Ceramic Disc, 0.0022 MFD, 100 C (C10L, C10R; C22L; C22R)	4
12	702-00224	. Capacitor, Ceramic Disc, 0.001 MFD, 100 V (C11L; C11R)	2
13	718-00240	. Capacitor, Mylar, 0.015 MFD, 100 V (C19L; C19R)	2
14	710-00240	. Capacitor, Mylar, 0.033 MFD, 100 V (C20L; C20R)	2
15	702-00250	. Capacitor, Tantalum, 47 MFD, 20 V (C24)	1
16	701-00250	. Capacitor, Tantalum, 33 MFD, 20 V (C25)	1
17	706-00233	. Capacitor, Electrolytic, 100 MFD, 6 V (C26)	1
18	703-00350	. Diode, Silicon, 1N457A (D1L & R thru D13)	17
19	705-00300	. Transistor, Silicon, NPN (Q1L; Q1R; Q5L; Q5R; Q7L; Q7R)	6
20	701-00300	. Transistor, Silicon, NPN (Q2L; Q2R; Q4L; Q4R)	4
21	702-00300	. Transistor, Silicon, NPN (Q3L;Q3R;Q6L;Q6R;Q8L;Q8R;Q9L;Q9R;Q11)	9
22	703-00300	. Transistor, Silicon, NPN (Q10)	1
23	723-00104	. Resistor, Carbon, 5.6K, 1/2W (R1L; R1R; R41L; R41R)	4
24	706-00102	. Resistor, Carbon, 1 MEG, 1/2W (R2L; R2R; R6L; R6R; R12L; R12R R13L;R13R;R15L;R15R;R25L;R25R;R29L;R29R;R30L;R30R;R33L;R33R;) . Resistor, Carbon, 6.8K, 1/2W (R3L; R3R; R7L; R7R; R37L; R37R; R38L; R38R)	18
25	718-00104		8
26	714-00102	. Resistor, Carbon, 3.3K, 1/2W (R4L; R4R)	2
27	706-00104	. Resistor, Carbon, 1.8K, 1/2W (R5L; R5R)	2
28	716-00104	. Resistor, Carbon, 2.7K, 1/2W (R8L; R8R)	2
29	708-00120	. Resistor, Carbon, 47 ohm, 1/2W (R9L; R9R)	2
30	703-00106	. Resistor, Carbon, 120K, 1/2W (R10L; R10R; R50)	3
31	713-00102	. Resistor, Carbon, 10K, 1/2W (R14L; R14R; R51; R61)	4
32	708-00104	. Resistor, Carbon, 4.7K, 1/2W. (R16L; R16R; R27L; R27R; R32L; R32R; R42L; R42R)	8
33	722-00104	. Resistor, Carbon, 12K, 1/2W (R17L; R17R)	2
34	726-00106	. Resistor, Carbon, 180 ohm, 1/2W (R18L; R18R)	2
35	701-00102	. Resistor, Carbon, 47K ± 5%, 1W (R19L; R19R)	2
36	710-00102	. Resistor, Carbon, 2.2K, 1/2W (R20L; R20R)	2
37	708-00106	. Resistor, Carbon, 15K, 1/2W (R21L; R21R)	2
38	702-00102	. Resistor, Carbon, 150K, 1/2W (R23L; R23R; R24L; R24R; R36L; R36R)	6
39	719-00102	. Resistor, Carbon, 68 ohm, 1/2W (R26L; R26R; R31L; R31R)	4
40	707-00102	. Resistor, Carbon, 220K; 1/2W (R28L; R28R; R34L; R34R; R40L; R40R)	6
41	704-00106	. Resistor, Carbon, 180K, 1/2W (R39L; R39R)	2
42	712-00102	. Resistor, Carbon, 330K, 1/2W (R43)	1
43	704-00107	. Resistor, Carbon, 270K, 1/2 (R44)	1
44	711-00106	. Resistor, Carbon, 220 ohm, 1/2W (R45, R46)	2
45	722-00120	. Resistor, Carbon, 43K ± 5%, 1/2W (R47, R48)	2
46	718-00102	. Resistor, Carbon, 100K, 1/2W (R49)	1
47	722-00106	. Resistor, Carbon, 390K, 1/2W (R56)	1
48	702-00120	. Resistor, Carbon, 15 ohm, 1/2W (R57)	1
49	708-00102	. Resistor, Carbon, 18K, 1/2W (R58; R59; R60)	3
50	600-03788	. Circuit Board, Pre-Amp	1

**FIGURE
30**

Output Transformer Assembly 100 Watt



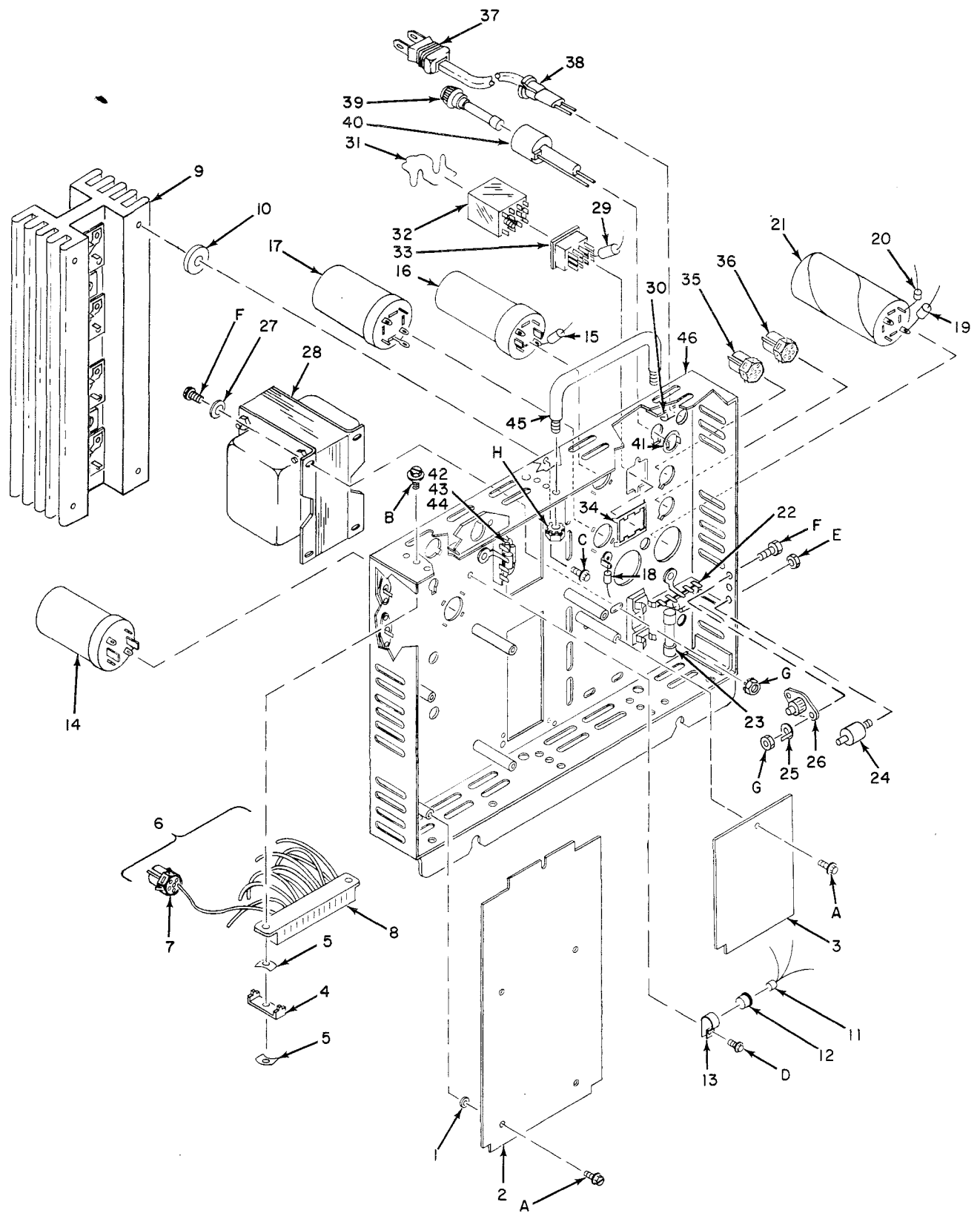
Output Transformer Assembly 100 Watt

**FIGURE
30**

Index No.	ROWE PART NO.	DESCRIPTION	Qty. Per Assy.
30-	601-03774	Output Transformer Assembly (Figure 1, Item 52)	REF.
1	710-01200	. Washer, Flat	8
2	400-05624	. Transformer, Output	2
	301-06145	. Plug and Cable Assembly	1
3	201-13541	. . Housing, Cap, Combo-Line, (7 Circuits)	1
4	701-02331	. Relief, Strain.	3
5	200-50239	. Tie, Wire	1
	301-06303	. Plug and Cable Assembly	1
6	204-12444	. . Housing, Socket.	1
7	200-02649	. Palnut, # 3/8-32	1
	301-06305	. Connector and Switch Assembly	1
8	201-13540	. . Housing, Plug, Combo-Line (7 Circuits)	1
9	200-12642	. . Switch, 6 Pole, 4 Position	1
10	301-06260	. Chassis Assembly with Lettering	1
STANDARD PARTS			
A	80733008	Screw, Machine, Hex Wr. Hd., Sems, # 8-32 x 1/2	
B	87843000	Nut, Hex, Keps, # 8-32	

FIGURE
31

Stereo Amplifier Assembly 100 Watt



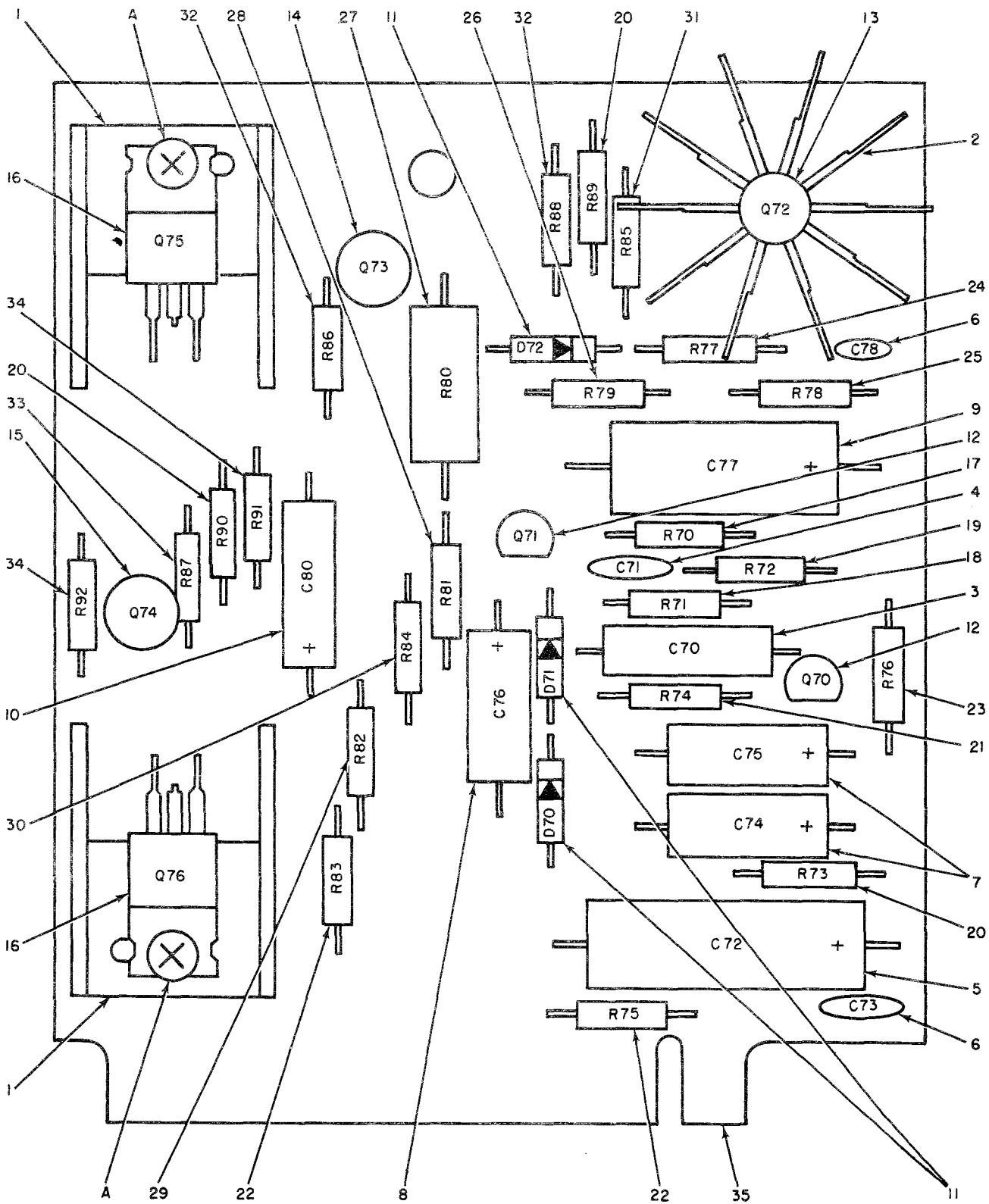
Stereo Amplifier Assembly 100 Watt

**FIGURE
31**

Index No.	ROWE PART NO.	DESCRIPTION	Qty. Per Assy.
31-	601-03760	Stereo Amplifier Assembly (100 W) (Figure 1, Item 51)	REF.
1	706-01208	. . Washer, Felt	4
2	601-03758	. . Pre-Amplifier Assembly (See Figure 29)	1
	601-03759	. . Power Amplifier Assembly	1
3	401-05702	. . Driver Board Assembly (See Figure 32)	2
4	200-09295	. . Bracket, Retaining	6
5	200-10898	. . Nut, Push-on	12
6	301-06256	. . Connector and Cable Assembly	1
7	201-13540	. . Plug, Housing, Combo-Line	1
8	208-13333	. . Connector, Edge	1
9	301-06254	. . Heat Sink Assembly (See Figure 33)	1
10	718-01208	. . Washer, Flat	4
11	704-00310	. . Transistor, Silicon NPN	1
12	702-01460	. . Bearing	1
13	723-00931	. . Clamp	1
14	200-13047	. . Capacitor, Electrolytic, 1000/1000 MFD, 35V	1
15	712-00212	. . Capacitor, Mylar, 0.1 MFD, 100V	2
16	200-13826	. . Capacitor, Electrolytic, 1500 MFD, 100V	1
17	200-13828	. . Capacitor, Electrolytic, 500/500 MFD, 100V	1
18	718-00113	. . Resistor, Wirewound, 0.27 ohm, 2W	2
19	703-00112	. . Resistor, Wirewound, 22 ohms, 1W	2
20	706-00350	. . Diode, Silicon	4
21	200-13827	. . Capacitor, Electrolytic, 2000 MFD, 75V	2
22	704-00213	. . Capacitor, Mylar, 0.22 MFD, 100V	2
23	704-00720	. . Fuse, Cartridge, 1-1/4 Amp.	1
24	200-13872	. . Suppressor, Surge	1
25	702-00917	. . Lug, Solder	1
26	200-13048	. . Rectifier	1
27	710-01200	. . Washer, Flat	4
28	400-05700	. . Transformer, Power	1
29	713-00102	. . Resistor, Carbon, 10K, 1/2W	1
30	701-00213	. . Capacitor, Mylar, 0.1 MFD, 400V	1
31	200-12869	. . Spring, Relay	1
32	200-13261	. . Relay	1
33	200-10475	. . Socket, Relay	1
34	200-10474	. . Retainer, Socket	1
35	201-13877	. . Combo Line Assembly	1
36	202-13877	. . Combo Line Assembly	1
37	704-00500	. . Cord and Plug	1
38	701-02321	. . Relief, Strain	1
39	200-11445	. . Fuse, 3.2 Amp	1
40	200-11444	. . Fuseholder	1
41	200-11446	. . Clip, Fuseholder	1
42	702-00117	. . Resistor, Wirewound, 500 ohm, 5W	1
43	712-00355	. . Diode, Zener, 1N4749	1
44	716-00104	. . Resistor, Carbon, 2.7K, 1/2W	1
45	200-08079	. . Handle	1
46	601-03780	. . Chassis Assembly with Lettering	1
STANDARD PARTS			
A	80683004	Screw, Machine, Hex Wr. Hd., # 8-32 x 1/4	
B	80732307	Screw, Machine, Hex Wr. Hd., Sems, # 6-32 x 7/16	
C	82733008	Screw, Self-Tapping, Hex Wr. Hd., Type 23, # 8 x 1/2	
D	82682305	Screw, Self-Tapping, Hex Wr. Hd., Type 23, # 6-32 x 5/16	
E	87842300	Nut, Hex, Keps, # 6-32	
F	80733006	Screw, Machine, Hex Wr. Hd., Sems, # 8-32 x 3/8	
G	87842000	Nut, Hex, Keps, # 8-32	
H	87845700	Nut, Hex, Keps, # 1/4-20	

FIGURE 32

Driver Board Assembly 100 Watt



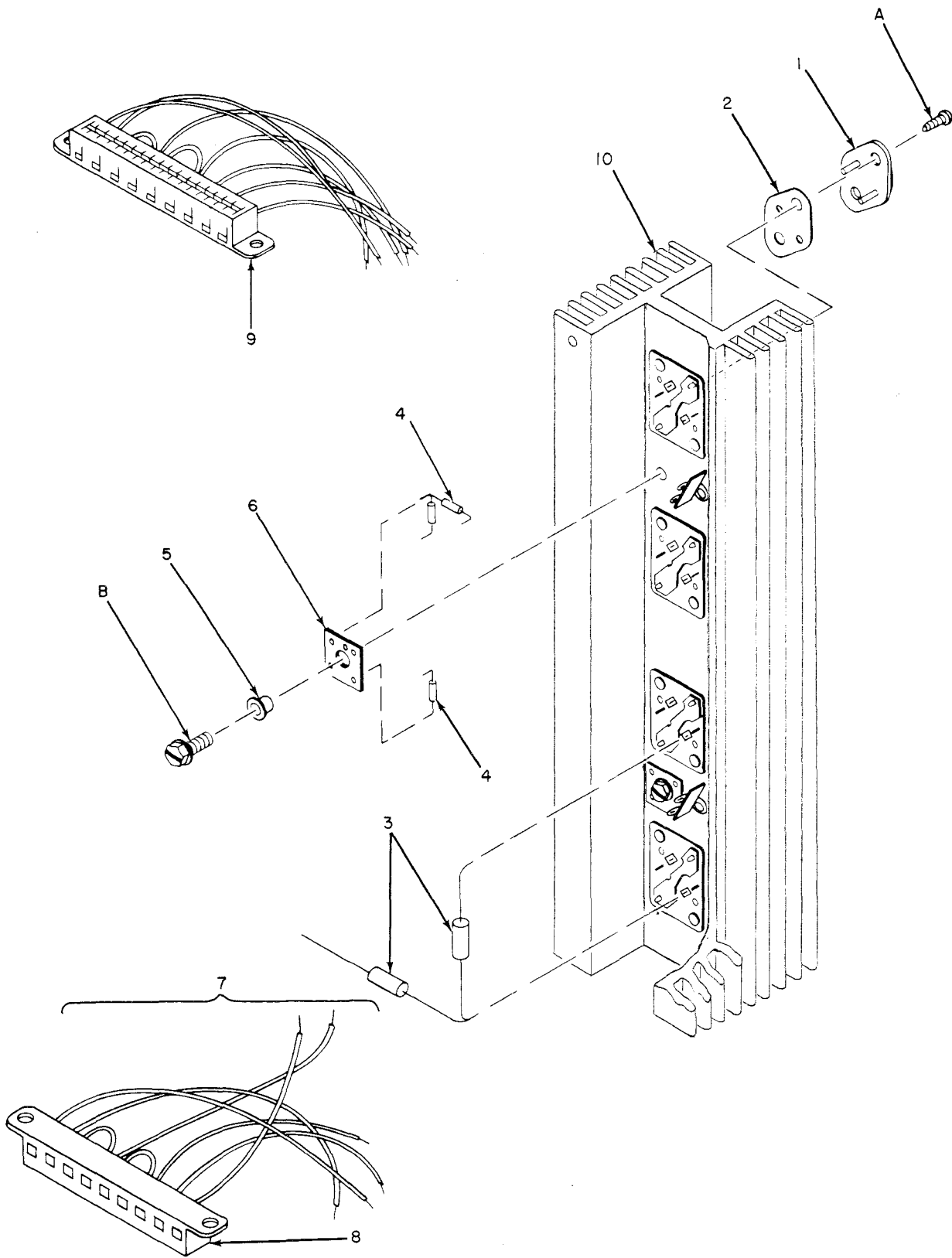
Driver Board Assembly 100 Watt

**FIGURE
32**

Index No.	ROWE PART NO.	DESCRIPTION	Qty. Per Assy.
32-	401-05702	Driver Board Assembly (100W) (Figure 31, Item 3)	REF
1	200-14034	. Heat Sink	2
	200-13886	. Heat Sink (Alternate).	
2	200-13886	. Heat Sink	1
3	702-00240	. Capacitor, Mylar, 0.1 MFD, 100V (C70)	1
4	701-00224	. Capacitor, Ceramic Disc, 0.00047 MFD, 100V (C71)	1
5	707-00233	. Capacitor, Electrolytic, 100 MFD, 25V (C72)	1
6	706-00224	. Capacitor, Ceramic Disc, 0.00022 MFD, 100V (C73; C78).	2
7	705-00233	. Capacitor, Electrolytic, 25 MFD, 15V (C74; C75).	2
8	706-00233	. Capacitor, Electrolytic, 100 MFD, 6V (C76)	1
9	708-00233	. Capacitor, Electrolytic, 500 MFD, 3V (C77)	1
10	703-00233	. Capacitor, Electrolytic, 5 MFD, 50V (C80)	1
11	703-00350	. Diode, Silicon, 1N457A (D70; D71; D72)	3
12	703-00300	. Transistor, Silicon, NPN (Q70; Q71)	2
13	704-00310	. Transistor, Silicon, NPN (Q72).	1
14	705-00320	. Transistor, Complimentary, Silicon (Q73)	1
15	706-00320	. Transistor, Complimentary, Silicon (Q74)	1
16	705-00310	. Transistor, Silicon, NPN (Q75; Q76)	2
	706-00310	. Transistor, Silicon, NPN (Alternate Q75; Q76)	
17	711-00102	. Resistor, Carbon, 470K, 1/2W (R70)	1
18	724-00106	. Resistor, Carbon, 680K, 1/2W (R71)	1
19	704-00107	. Resistor, Carbon, 270K, 1/2W (R72)	1
20	722-00102	. Resistor, Carbon, 100 ohms, 1/2W (R73; R89; R90).	3
21	707-00104	. Resistor, Carbon, 220 K, 1/2W (R74)	1
22	713-00102	. Resistor, Carbon, 10K, 1/2W (R75; R83)	2
23	703-00102	. Resistor, Carbon, 270 ohm, 1/2W (R76)	1
24	720-00107	. Resistor, Carbon, 3.3K, 1/2W (R77)	1
25	706-00106	. Resistor, Carbon, 56K, 1/2W (R78)	1
26	716-00109	. Resistor, Carbon, 33 ohms, 1/2W (R79)	1
27	721-00105	. Resistor, Carbon, 1.2 K, 1/2W (R80)	1
28	721-00104	. Resistor, Carbon, 47 ohms, 1/2W (R81)	1
29	708-00104	. Resistor, Carbon, 4.7K, 1/2W (R82)	1
30	701-00109	. Resistor, Carbon, 200 ohm, 1/2W (R84)	1
31	708-00106	. Resistor, Carbon, 15K, 1/2W (R85)	1
32	719-00106	. Resistor, Carbon, 1K, 1/2W (R86; R88)	2
33	720-00109	. Resistor, Carbon, 10 ohm, 1/2W (R87)	1
34	718-00120	. Resistor, Carbon, 4.7 ohms, 1/2W (R91; R92)	2
35	400-05703	. Board, Driver	1
STANDARD PARTS			
A	82352306	Screw, Self-Tapping, Round Hd., Phil. Sl., Type 23, # 6-32 x 3/8	

FIGURE
33

Heat Sink Assembly 100 Watt



Heat Sink Assembly 100 Watt

**FIGURE
33**

Index No.	ROWE PART NO.	DESCRIPTION	Qty. Per Assy.
33-	301-06254	Heat Sink Assembly (Figure 31, Item 9)	REF.
1	703-00305	. Transistor, Power, Silicon, NPN	4
2	200-13189	. Spacer, Mica	4
3	716-00113	. Resistor, Wirewound, 0.82 Ohm, 2W	8
4	703-00350	. Diode, Silicon, # 1N457A	6
5	202-03709	. Eyelet	2
6	200-09313	. Plate, Diode Mounting	2
7	301-06300	. Connector and Cable Assembly	1
8	208-13333	. . Connector, Edge.	2
9	302-06300	. Connector and Cable Assembly	1
10	300-05942	. Heat Sink	1
STANDARD PARTS			
A	84352310	Screw, Self-Tapping, Round Hd., Phil. Sl., Type A # 6 x 5/8	
B	85683008	Screw, Self-Tapping, Hex Wr. Hd., Type 23, # 8-32 x 1/2	