

**FOR THIS SECTION, SELECT VIEW(TOP TOOL
BAR),THEN CLICK ON PAGE LAYOUT,THEN
FACING**

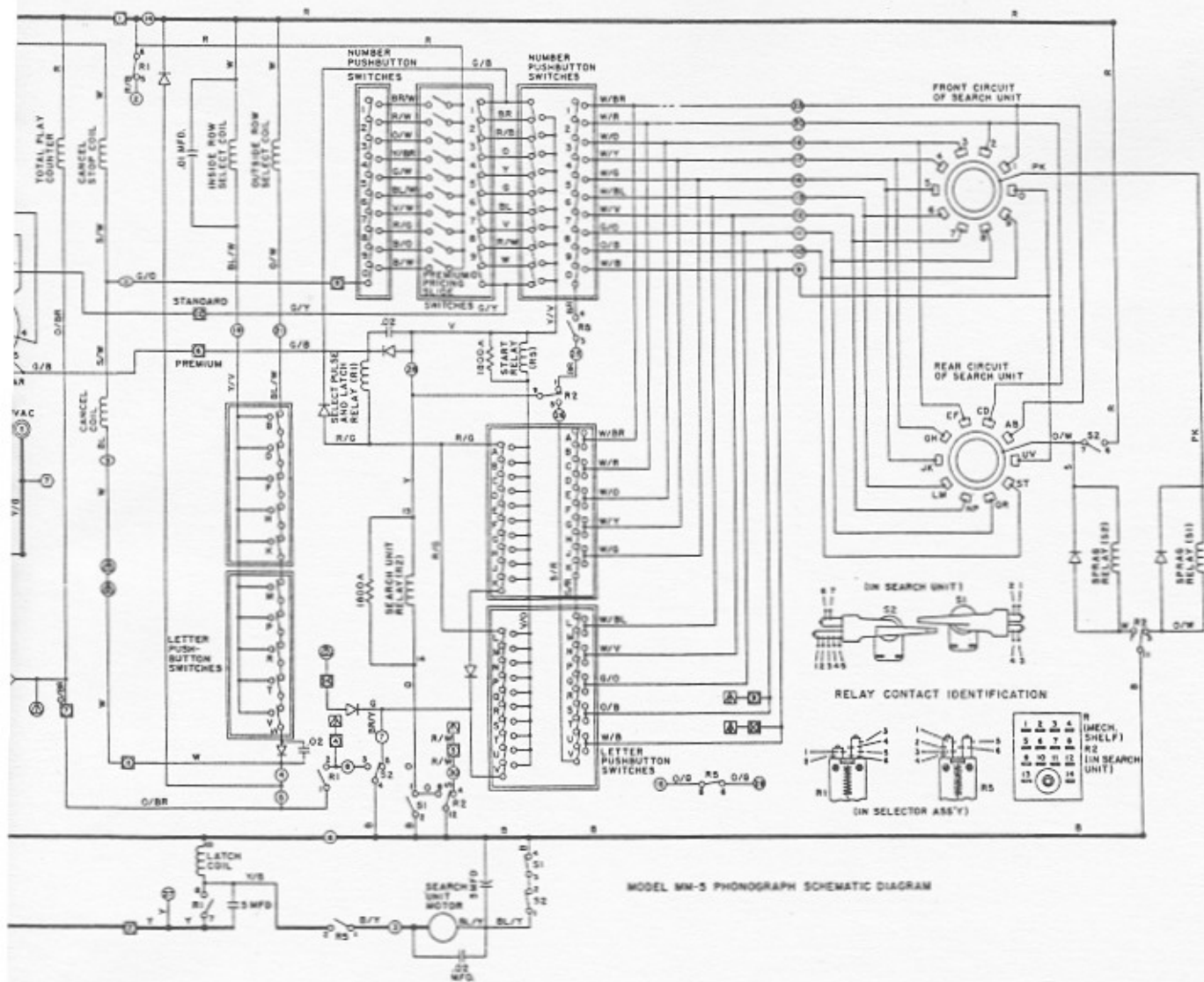
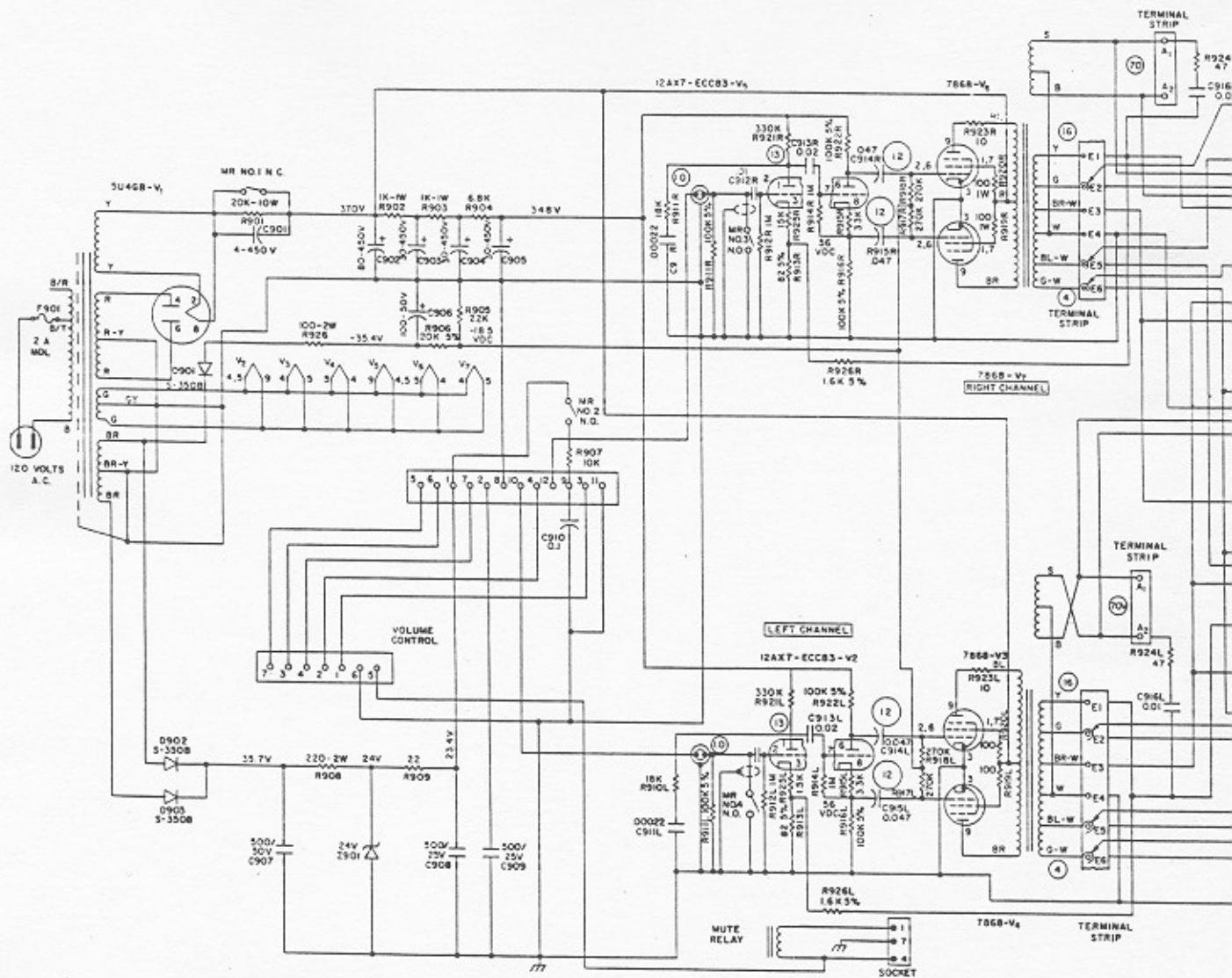
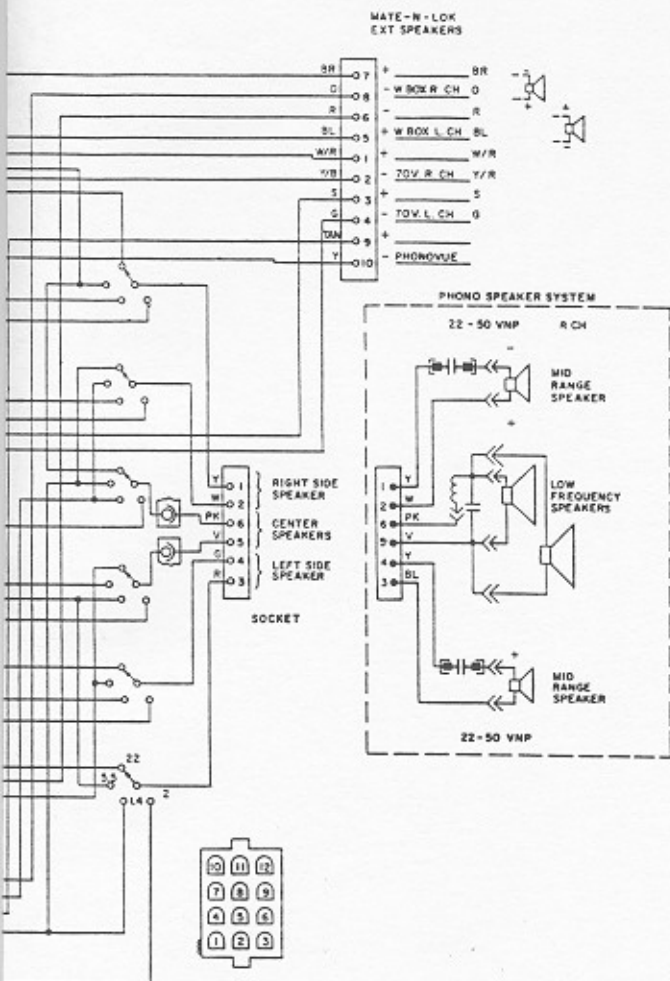


FIGURE 3-1. PHONOGRAPH SCHEMATIC DIAGRAM





WIRE COLOR CHART

BL	BLUE	W	WHITE
BR	BROWN	G-W	GREEN - WHITE
B	BLACK	BL-W	BLUE - WHITE
O	ORANGE	BR-W	BROWN - WHITE
S	SLATE	R-Y	RED - YELLOW
Y	YELLOW	R-B	RED - BLACK
G	GREEN	R-G	RED - GREEN
R	RED		

D.C. VOLTAGE READINGS

	PIN #1	PIN #2	PIN #3	PIN #4	PIN #5	PIN #6	PIN #7	PIN #8	PIN #9
V ₁	5U4GB	370	0	320VAC	300VAC	370			
V ₂	12AX7-ECC83	130	0	1.0		277	60		
V ₃	7868	370	-16.2	0		-16.2	370	369	
V ₄	7868	370	-16.2	0		-16.2	370	369	
V ₅	12AX7-ECC83	130	0	1.0		277	60		
V ₆	7868	370	-16.2	0		-16.2	370	369	
V ₇	7868	370	-16.2	0		-16.2	370	369	

NOTES:

1. D.C. VOLTAGES ARE MEASURED TO CHASSIS USING A 20,000 OHMS PER VOLT METER WITH NO SIGNAL INPUT UNLESS OTHERWISE INDICATED.
2. LINE VOLTAGE IS 120 VOLTS.
3. D.C. MEASUREMENTS TAKEN WITH NO OTHER UNIT CONNECTED.
4. SIGNAL VOLTAGES ARE ENCIRCLED (1.0 V) AND ARE MEASURED TO GROUND USING AN A.C. VTVM WITH SIGNAL INPUT LOOPPOPS.
5. CAPACITANCE IS IN MFD. UNLESS OTHERWISE INDICATED.
6. RESISTANCE IS IN OHMS UNLESS OTHERWISE INDICATED.
7. CAPACITOR VOLTAGE RATINGS 500 V. MINIMUM UNLESS OTHERWISE INDICATED.
8. RESISTORS ARE 1/2 WATT AND ± 10% TOLERANCE UNLESS OTHERWISE INDICATED.
9. POWER LEVEL SWITCH SHOWN IN MAXIMUM POWER POSITION.

A-4389A-0-2

NOTE:
SOCKET VIEW IS SEEN FROM
UNDER SIDE OF CHASSIS

FIGURE 3-2. 50W HYBRID AMPLIFIER SCHEMATIC DIAGRAM

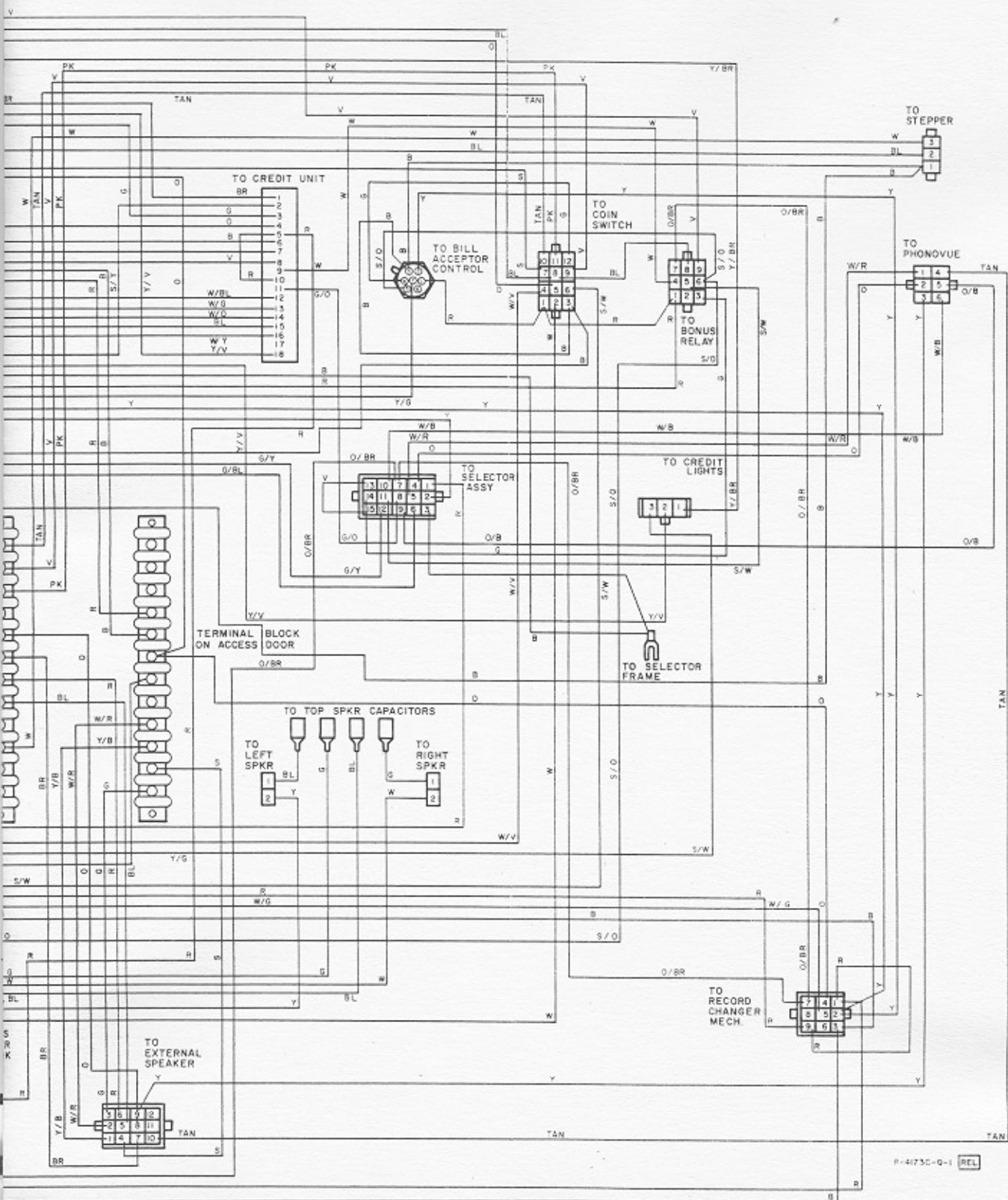


FIGURE 3-3. PHONOGRAPH HARNESS WIRING DIAGRAM

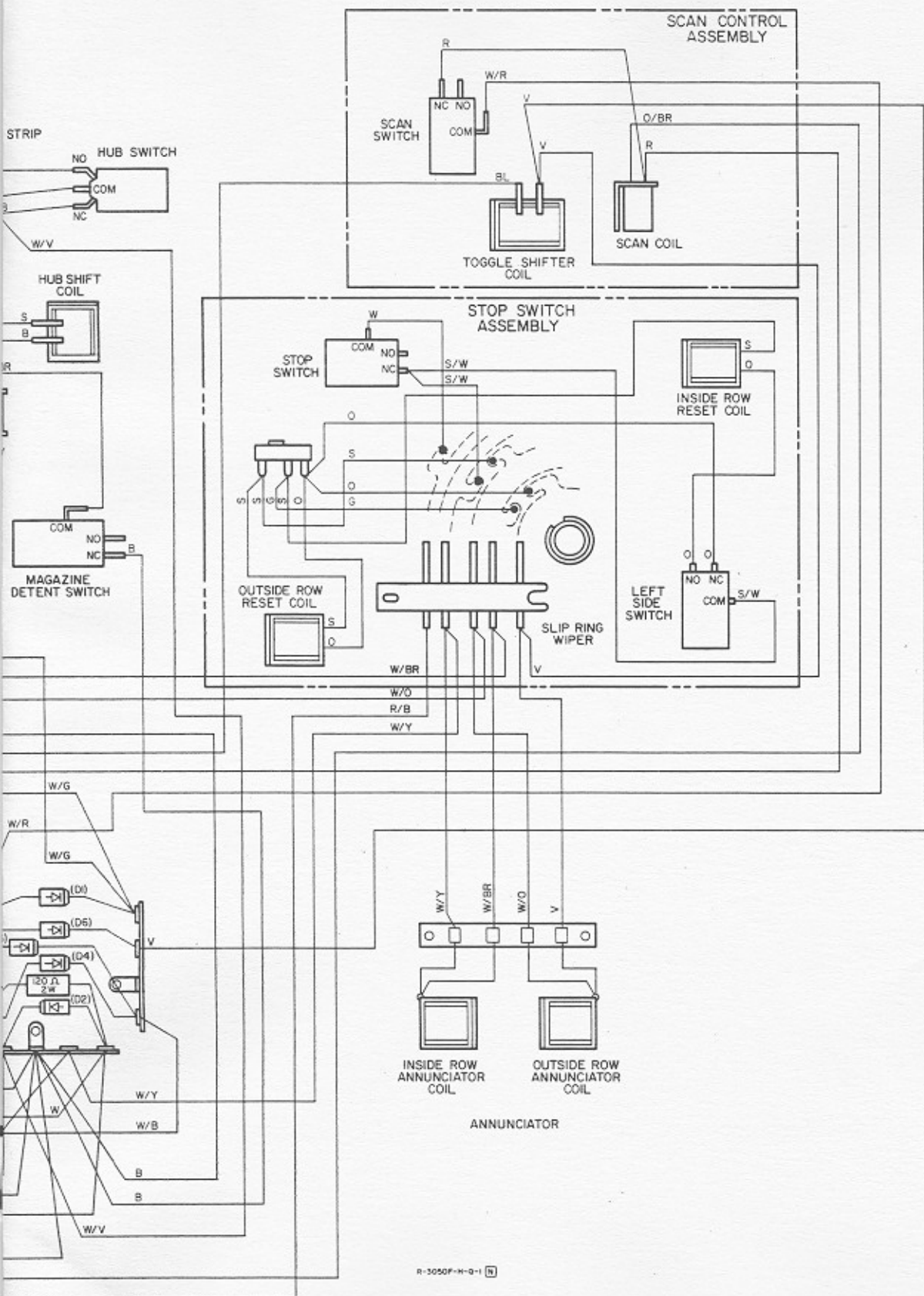
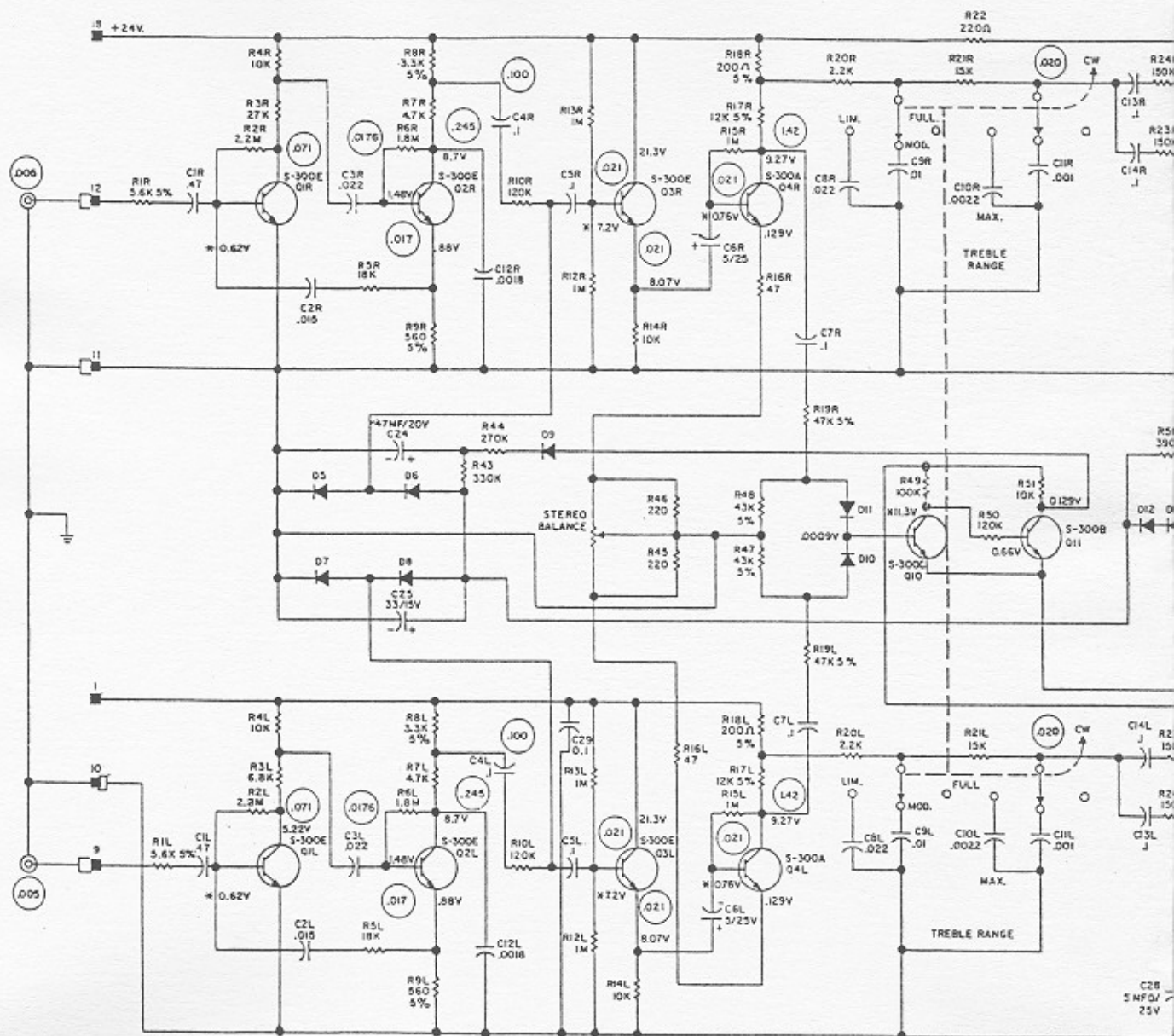
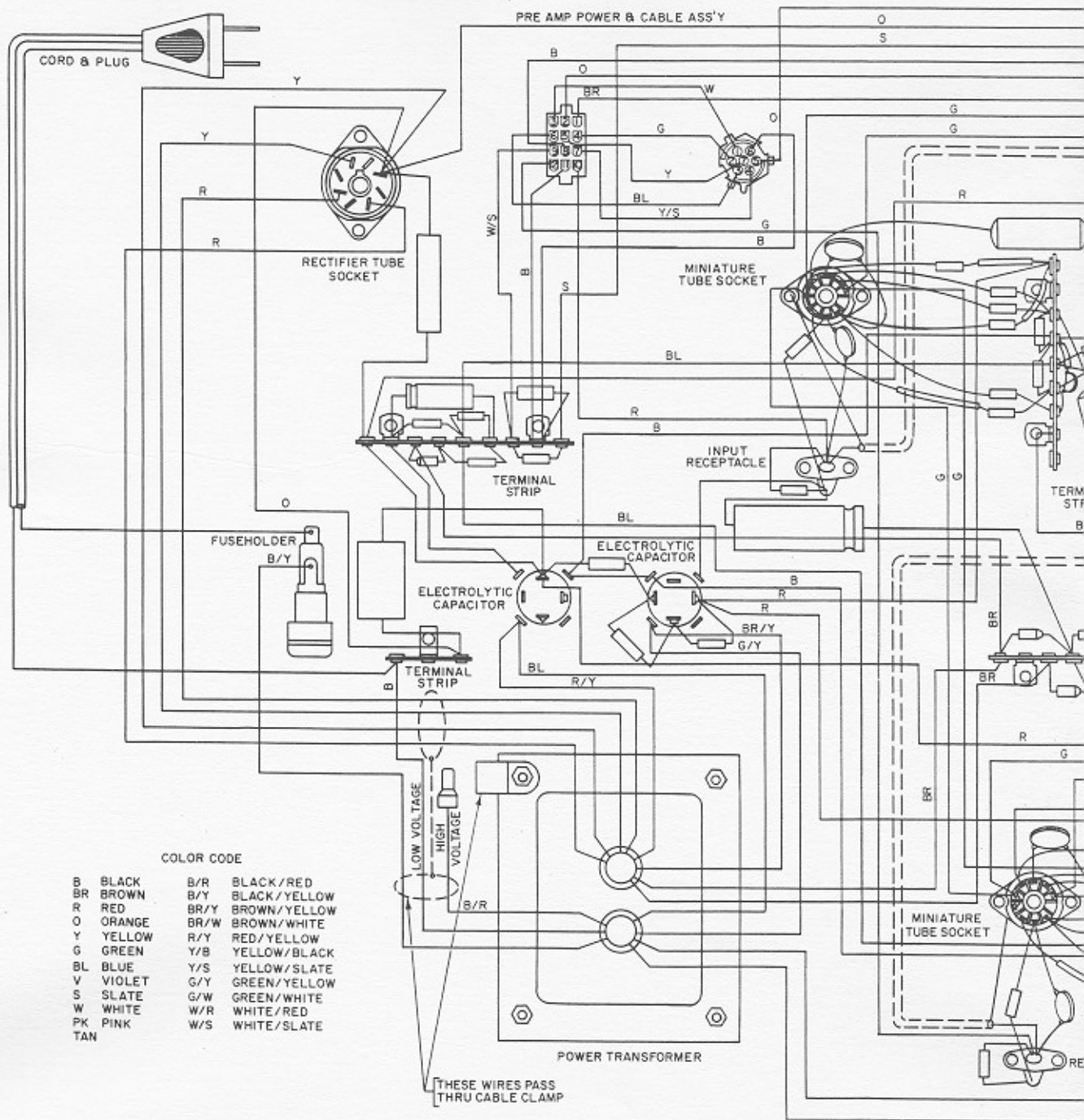


FIGURE 3-4. RECORD CHANGER WIRING DIAGRAM



- NOTES:
1. CAPACITOR RATINGS ARE 100V UNLESS OTHERWISE SPECIFIED.
 2. ALL RESISTORS ARE 1/2 WATT AND 10% TOLERANCE UNLESS OTHERWISE SPECIFIED.
 3. CAPACITOR VALUES ARE IN MFD. UNLESS OTHERWISE SPECIFIED.
 4. AC SIGNAL VOLTAGES (CIRCLED) ARE MEASURED TO CHASSIS WITH AN AC
 5. THE SIGNAL FREQUENCY IS 1KC, VOLUME CONTROL AT MAX.



COLOR CODE

B	BLACK	B/R	BLACK/RED
BR	BROWN	B/Y	BLACK/YELLOW
R	RED	BR/Y	BROWN/YELLOW
O	ORANGE	BR/W	BROWN/WHITE
Y	YELLOW	R/Y	RED/YELLOW
G	GREEN	Y/B	YELLOW/BLACK
BL	BLUE	Y/S	YELLOW/SLATE
V	VIOLET	G/Y	GREEN/YELLOW
S	SLATE	G/W	GREEN/WHITE
W	WHITE	W/R	WHITE/RED
PK	PINK	W/S	WHITE/SLATE
TAN			

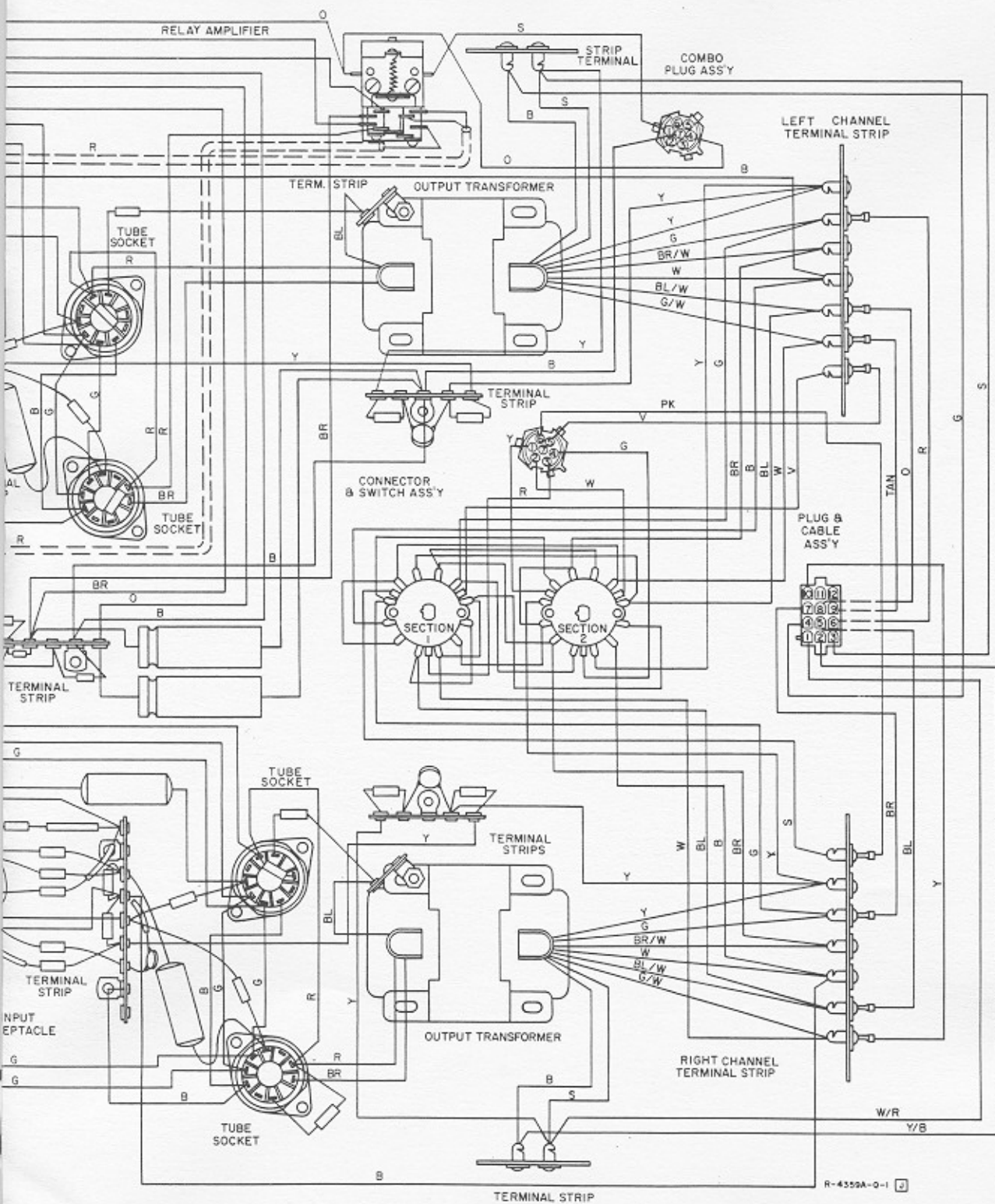
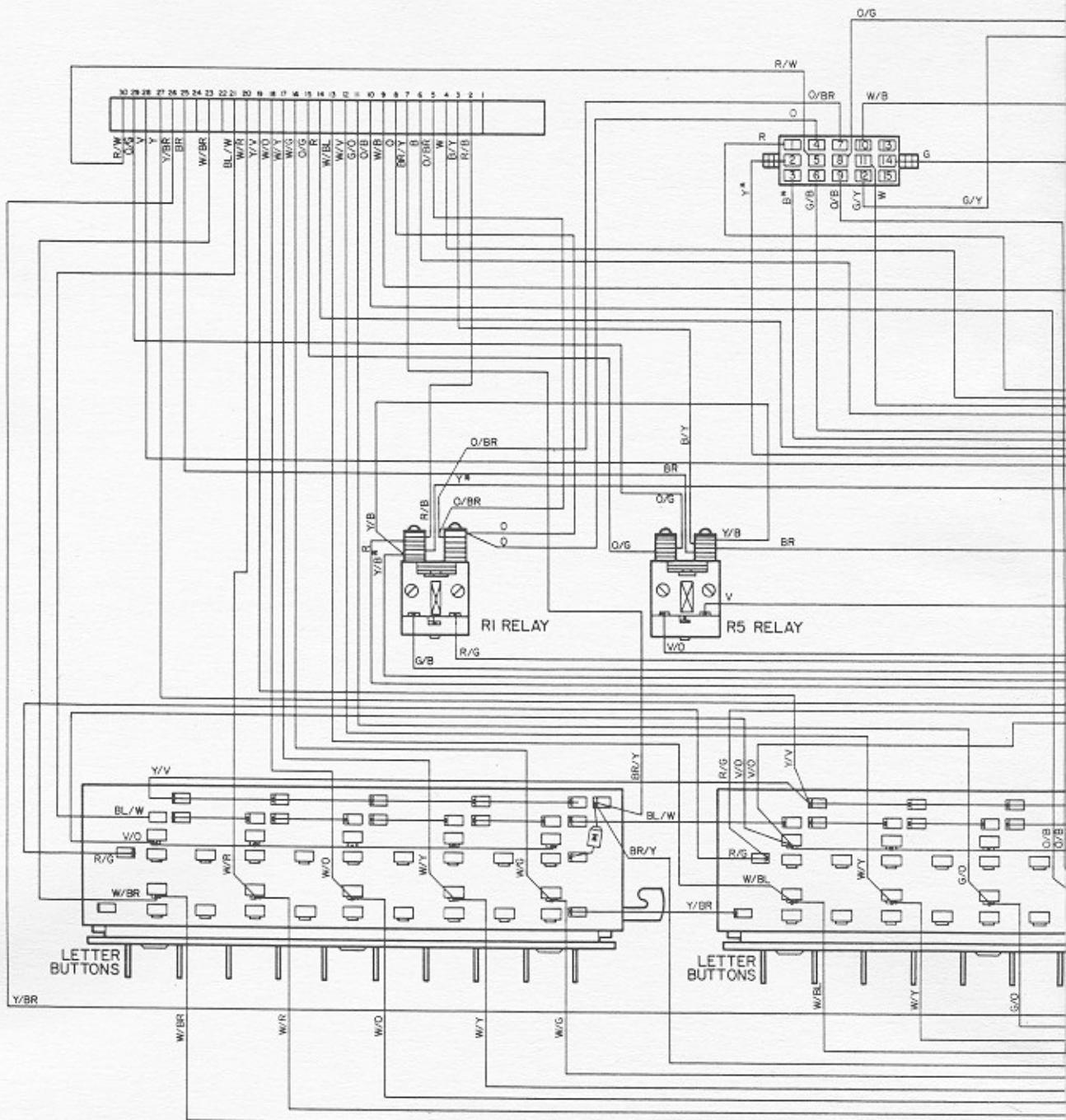


FIGURE 3-6. 50W HYBRID AMPLIFIER
WIRING DIAGRAM



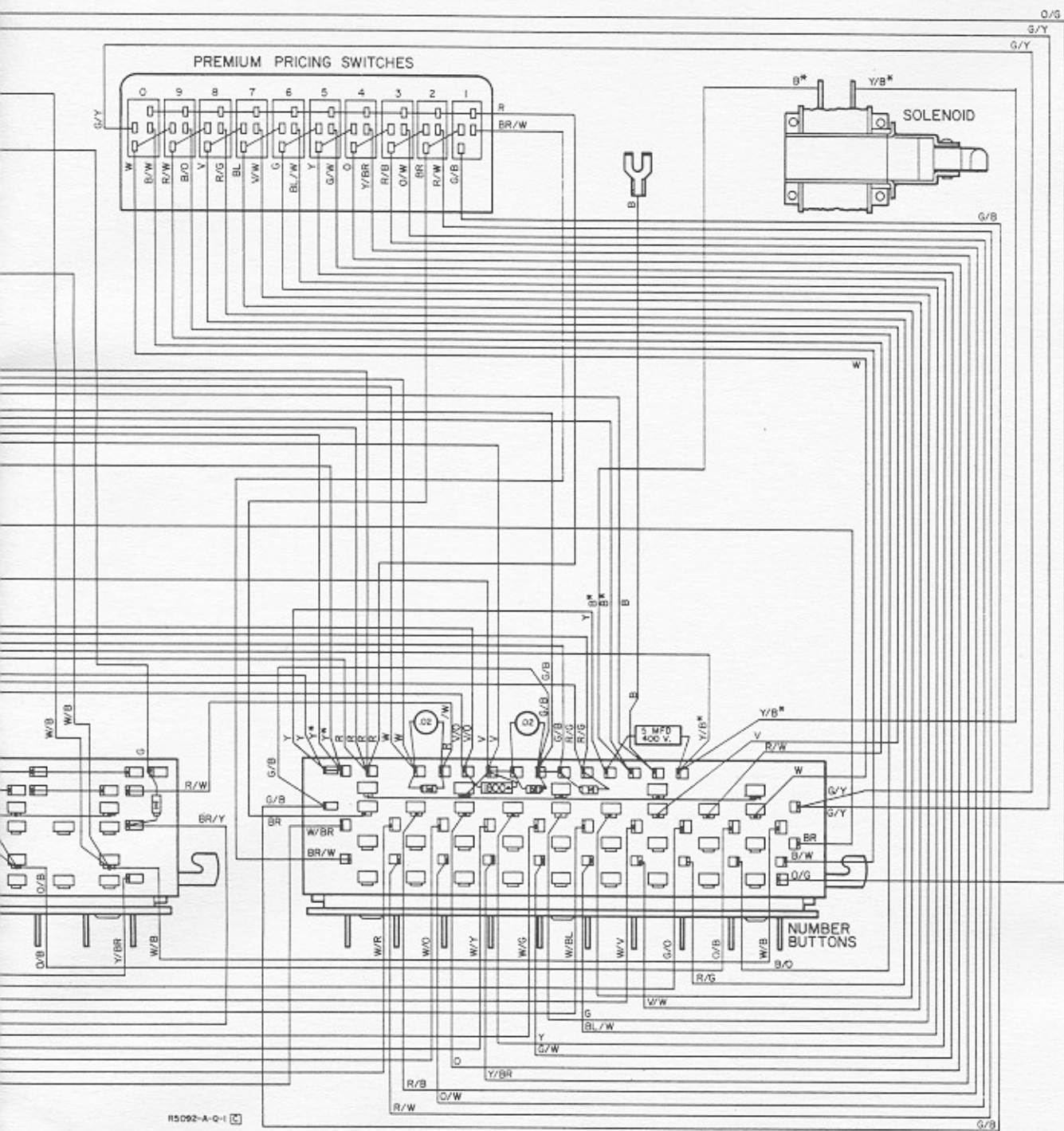
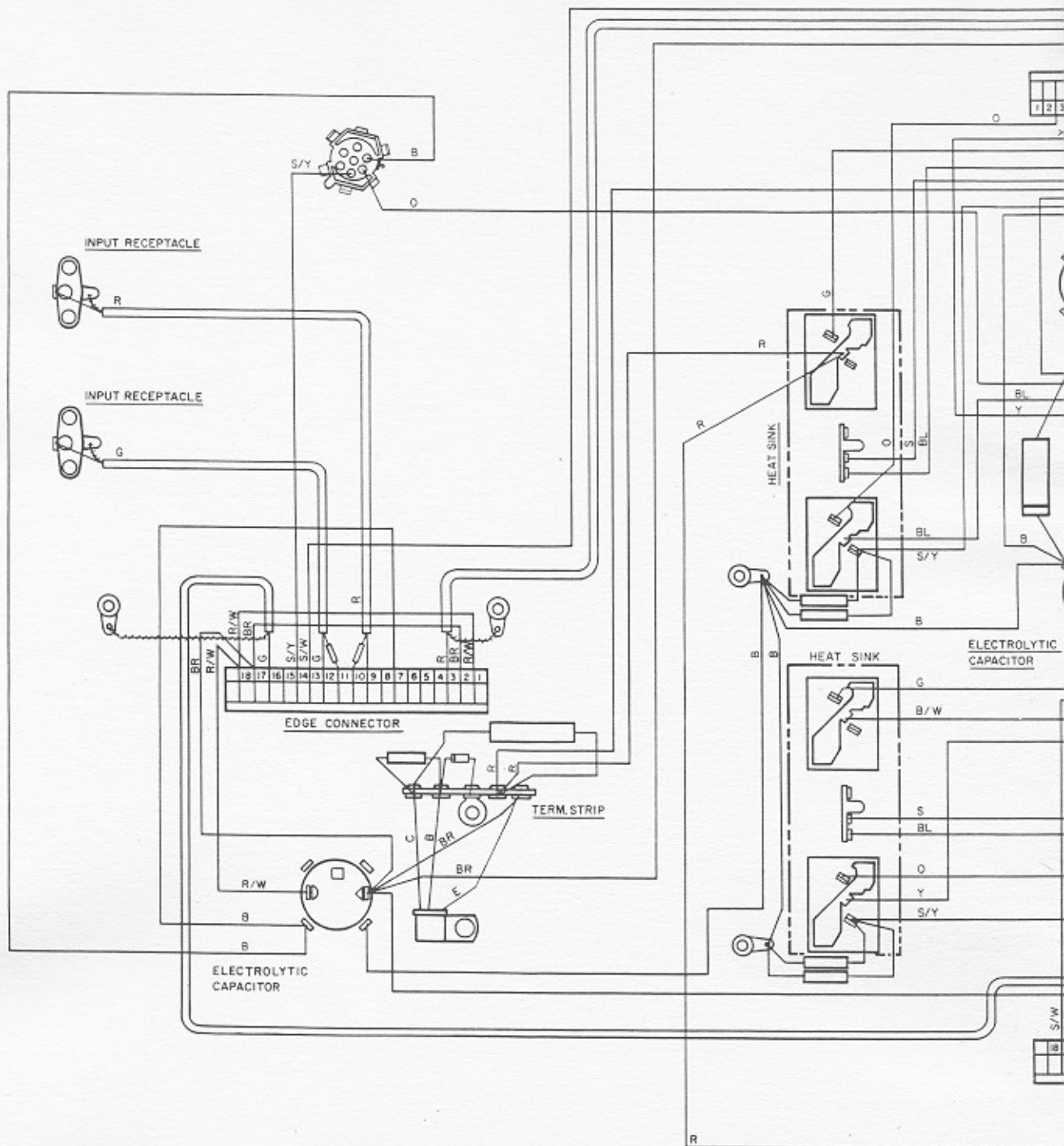


FIGURE 3-7. SELECTOR ASSEMBLY WIRING DIAGRAM



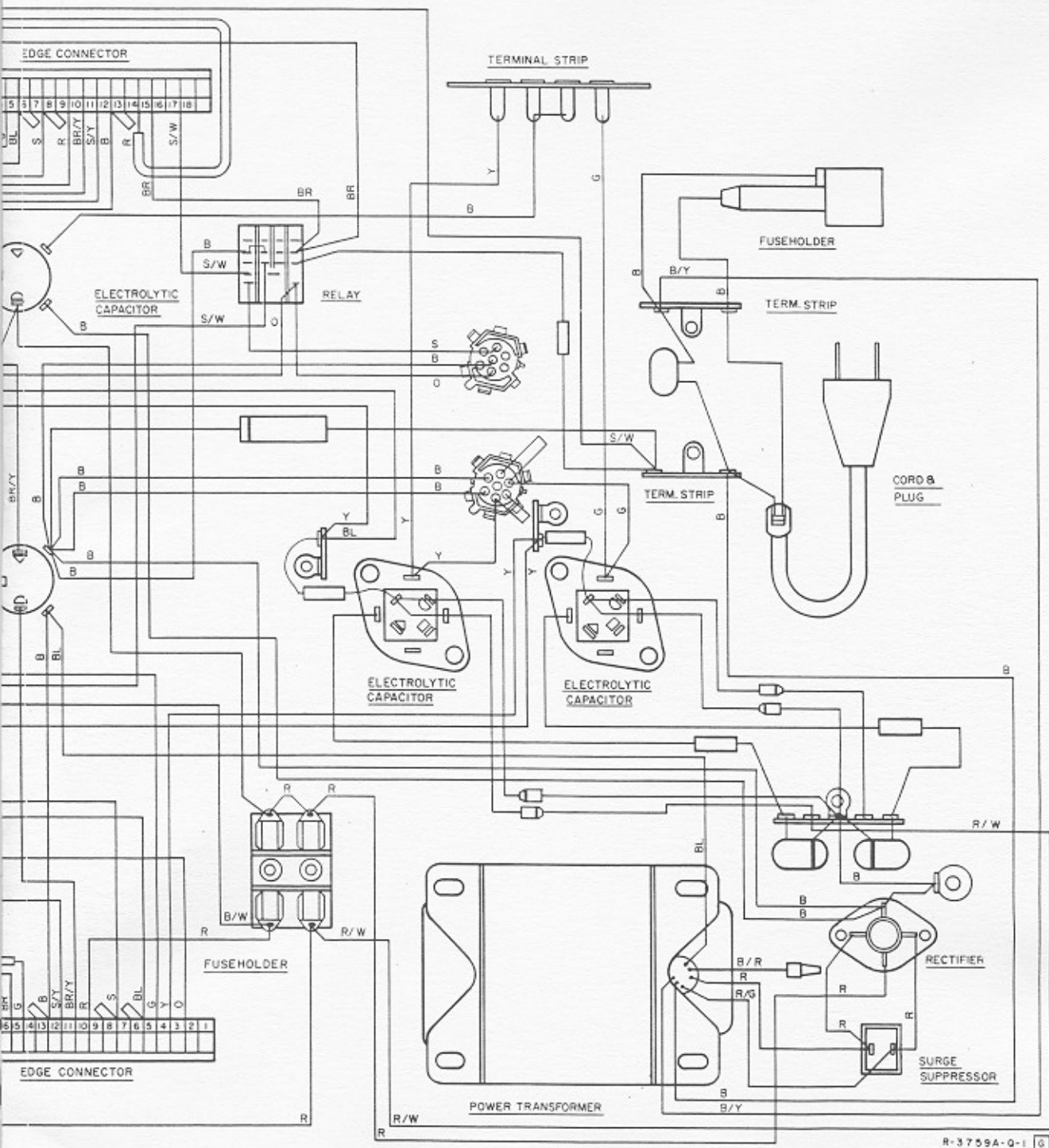
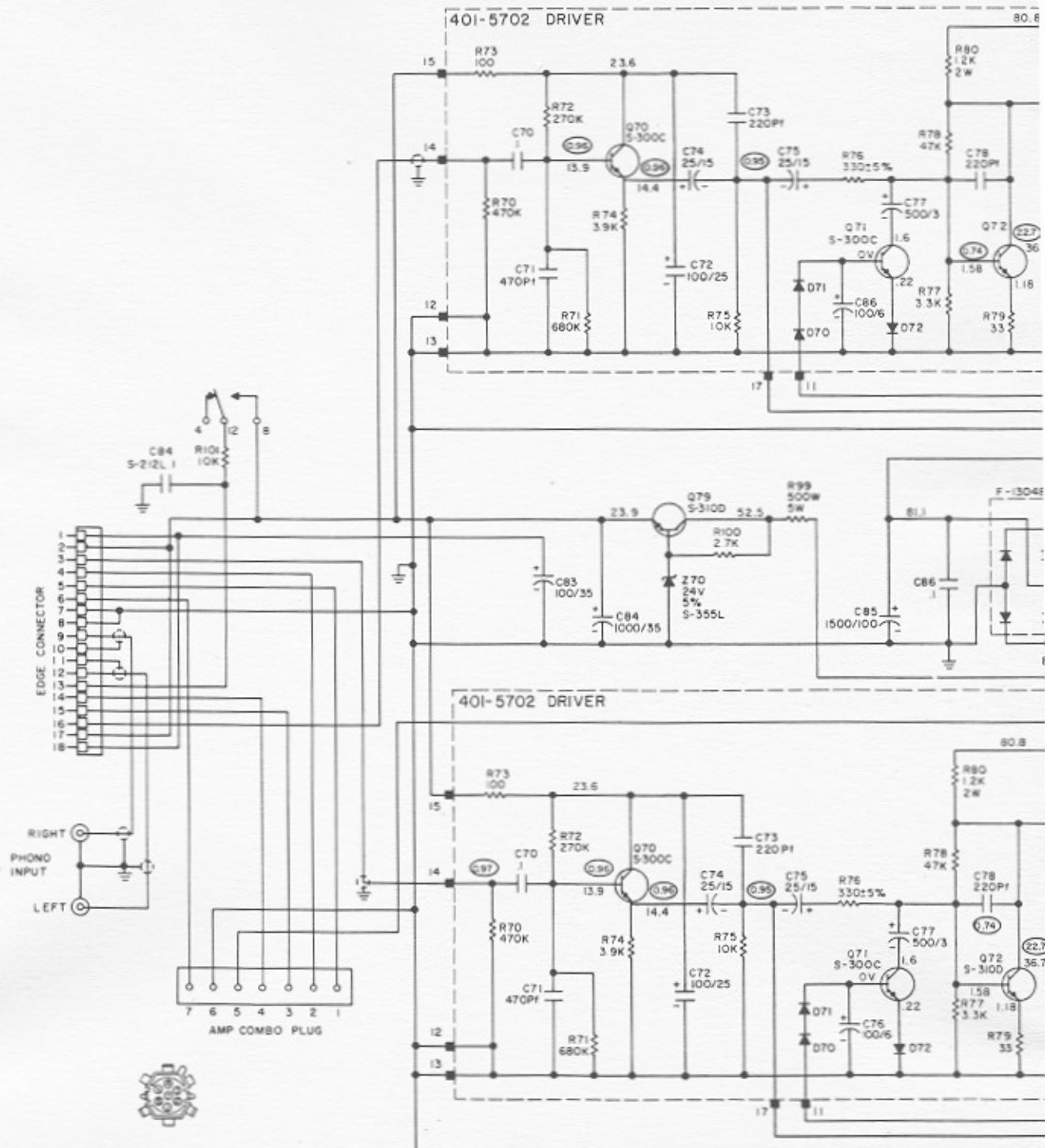


FIGURE 3-8. 100W AMPLIFIER WIRING DIAGRAM



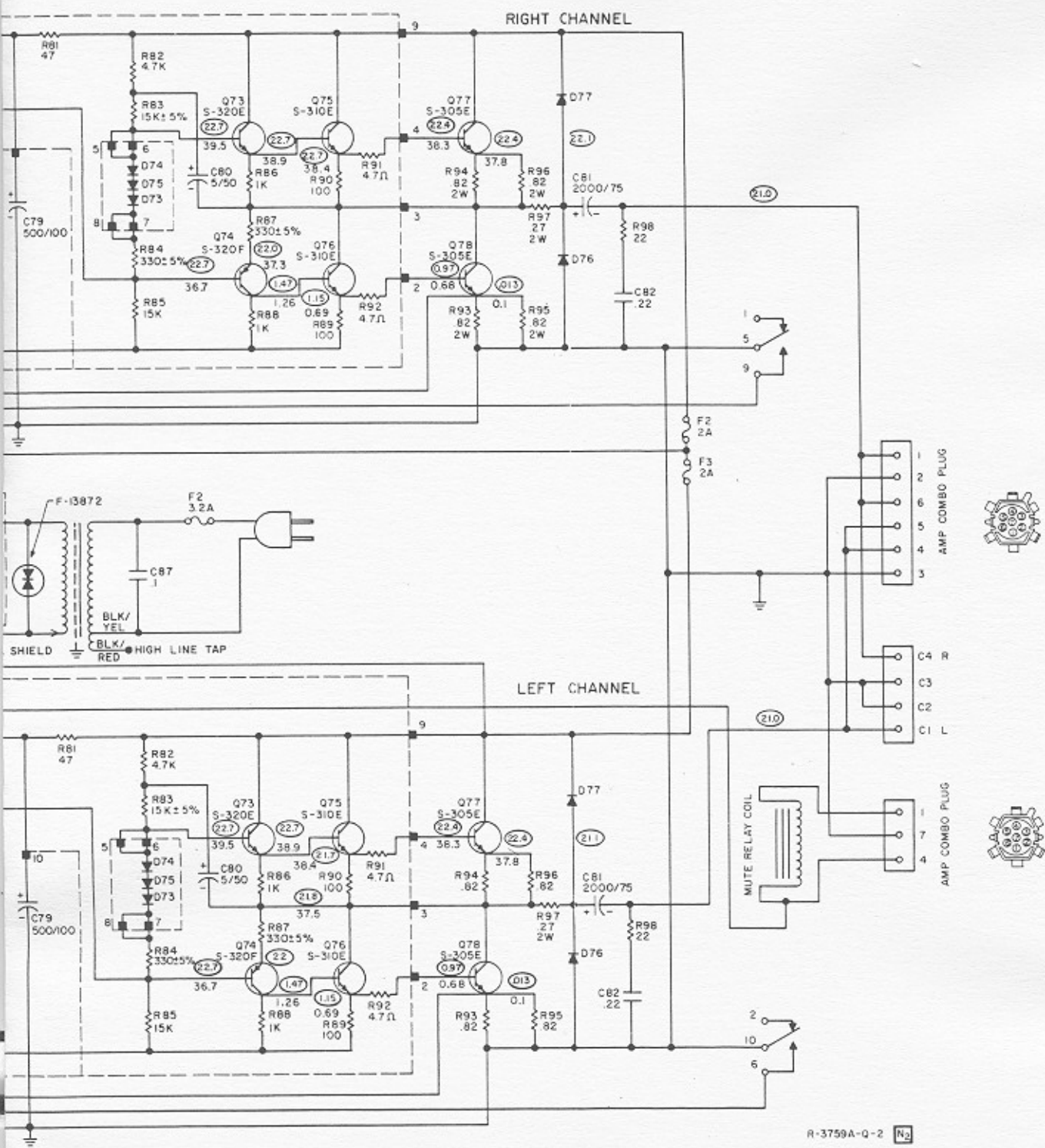
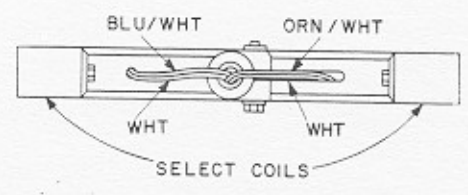
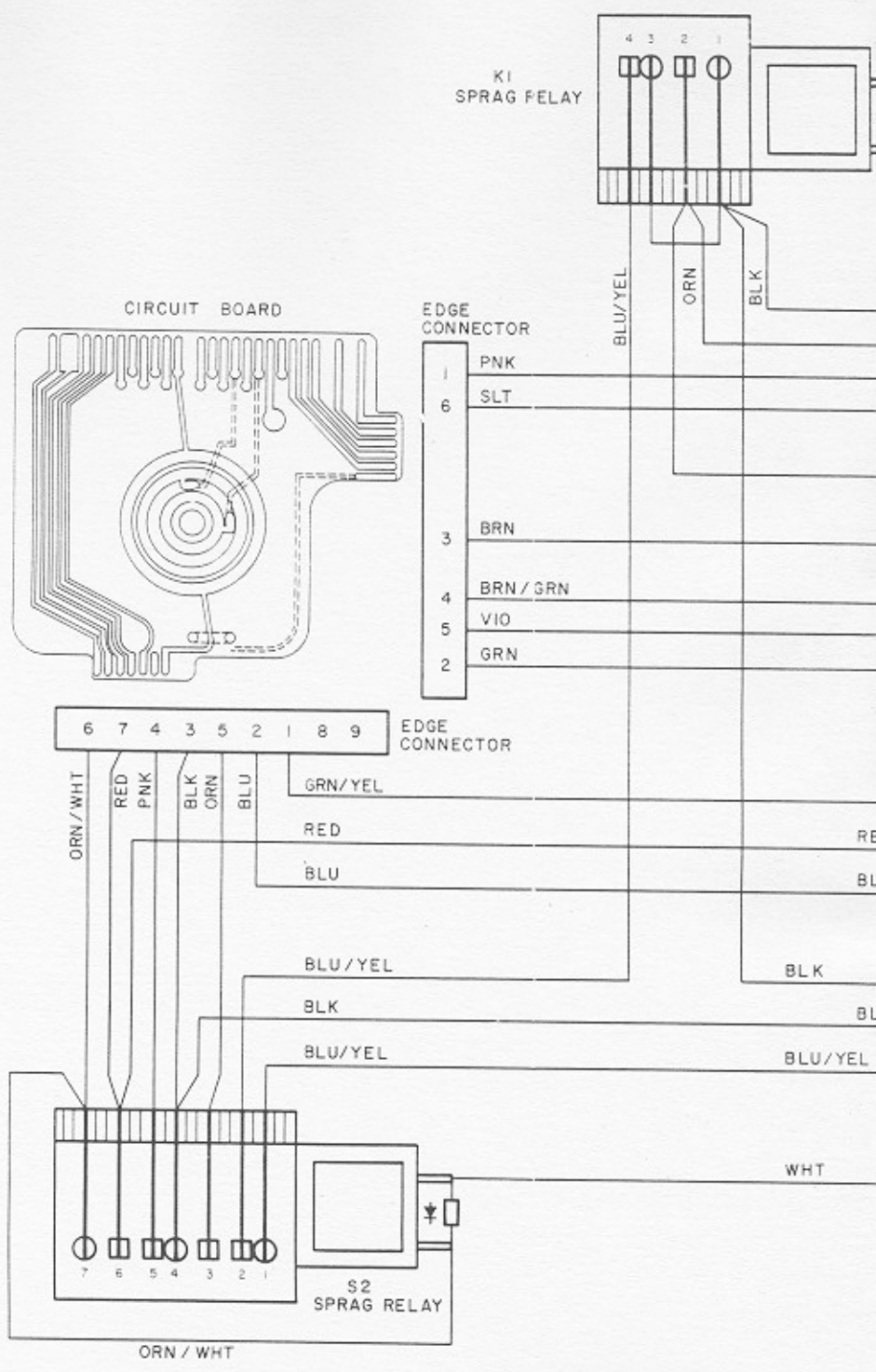


FIGURE 3-9. 100W AMPLIFIER SCHEMATIC DIAGRAM



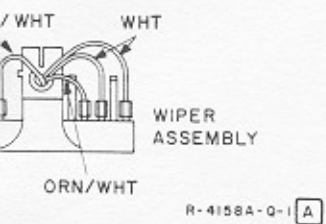
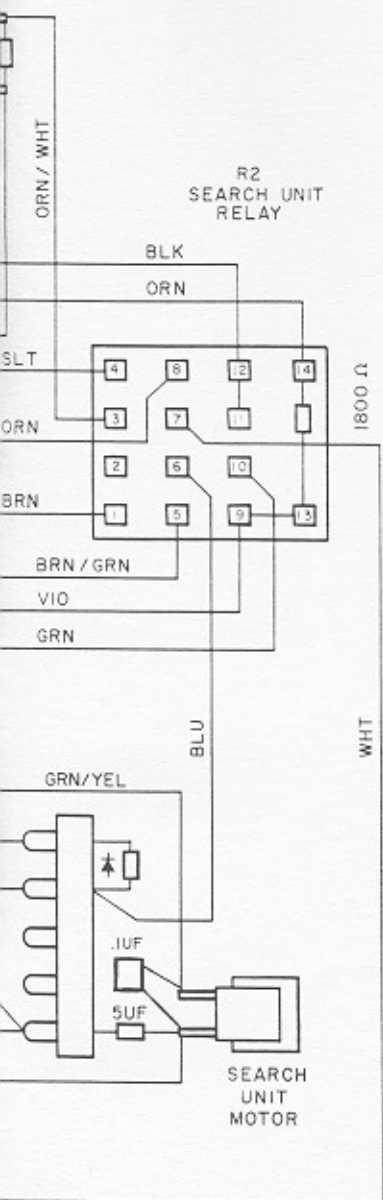
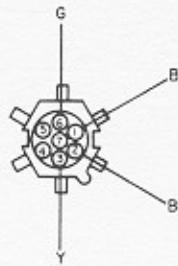
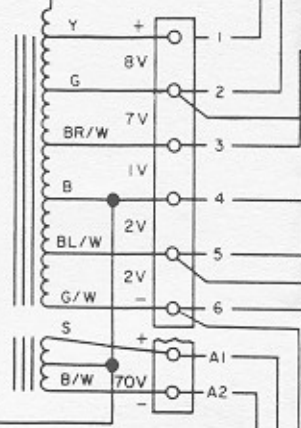


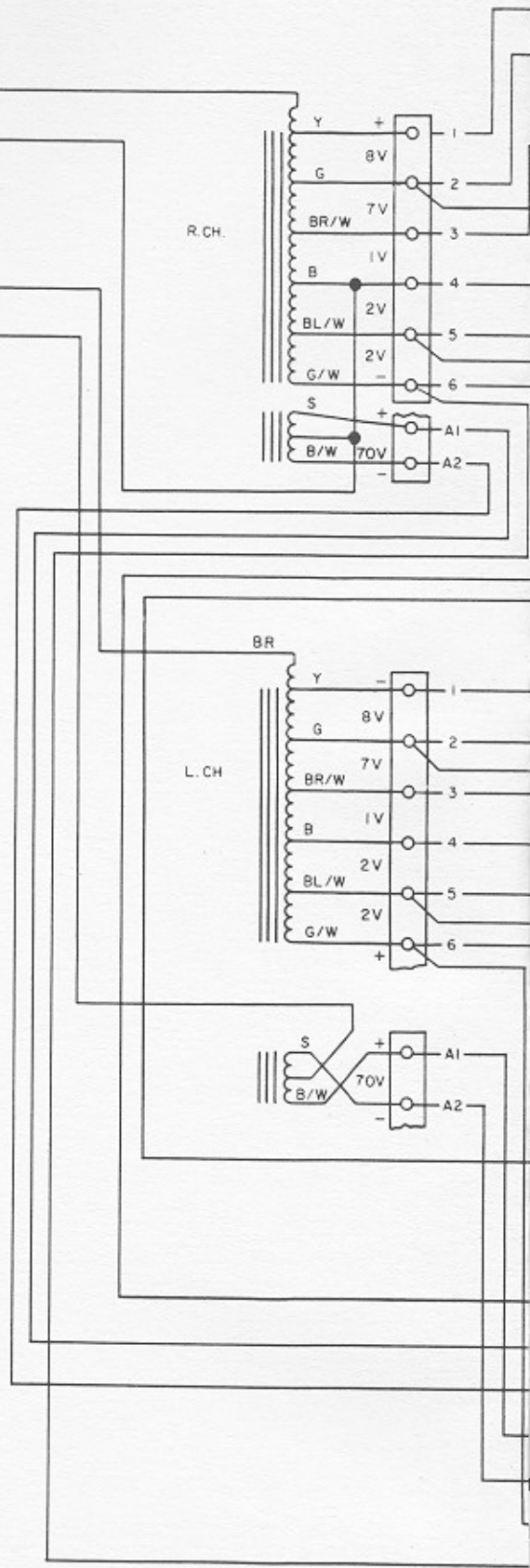
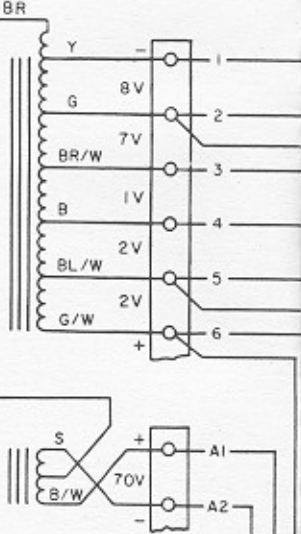
FIGURE 3-10. SEARCH UNIT WIRING DIAGRAM



R. CH.



L. CH.



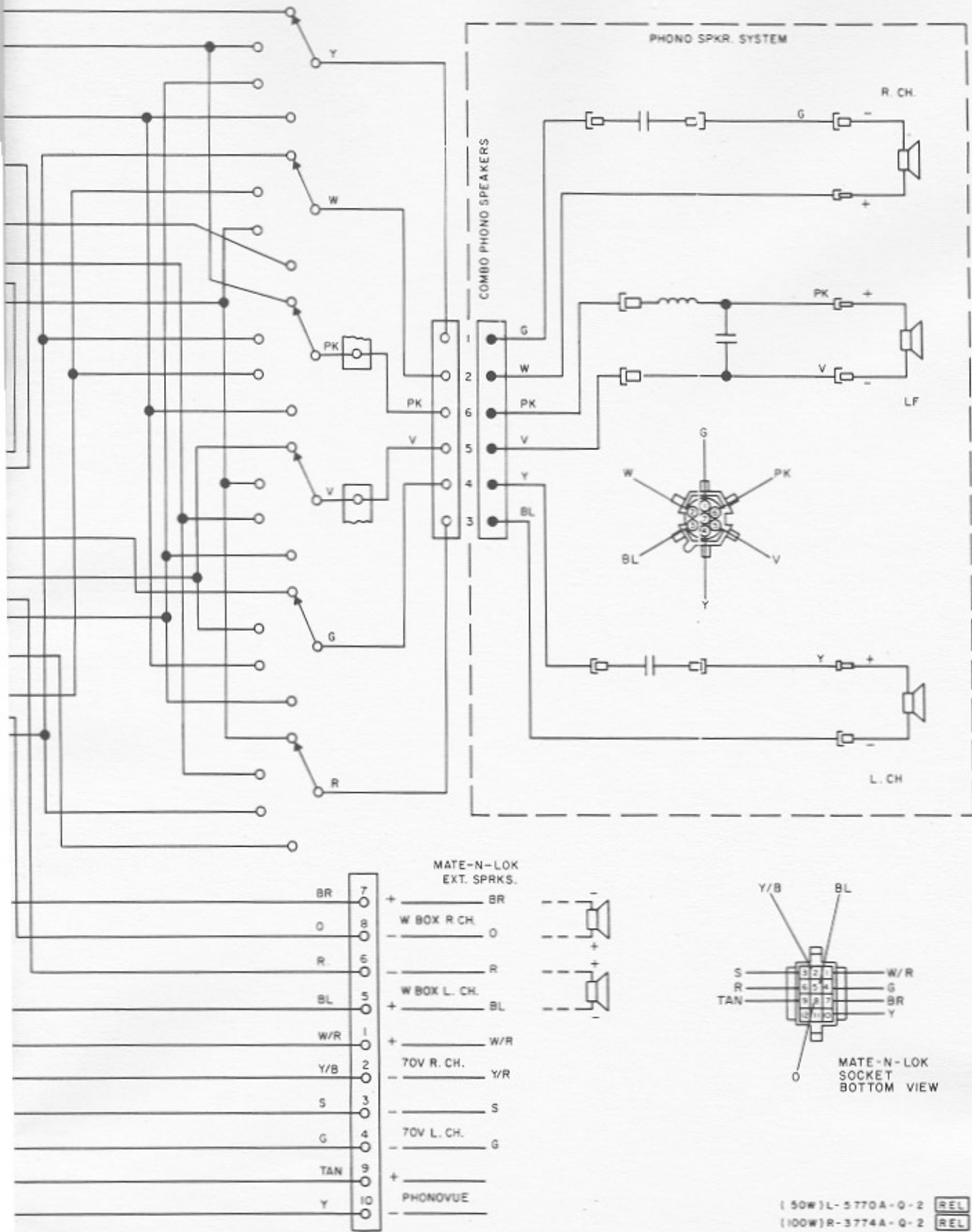
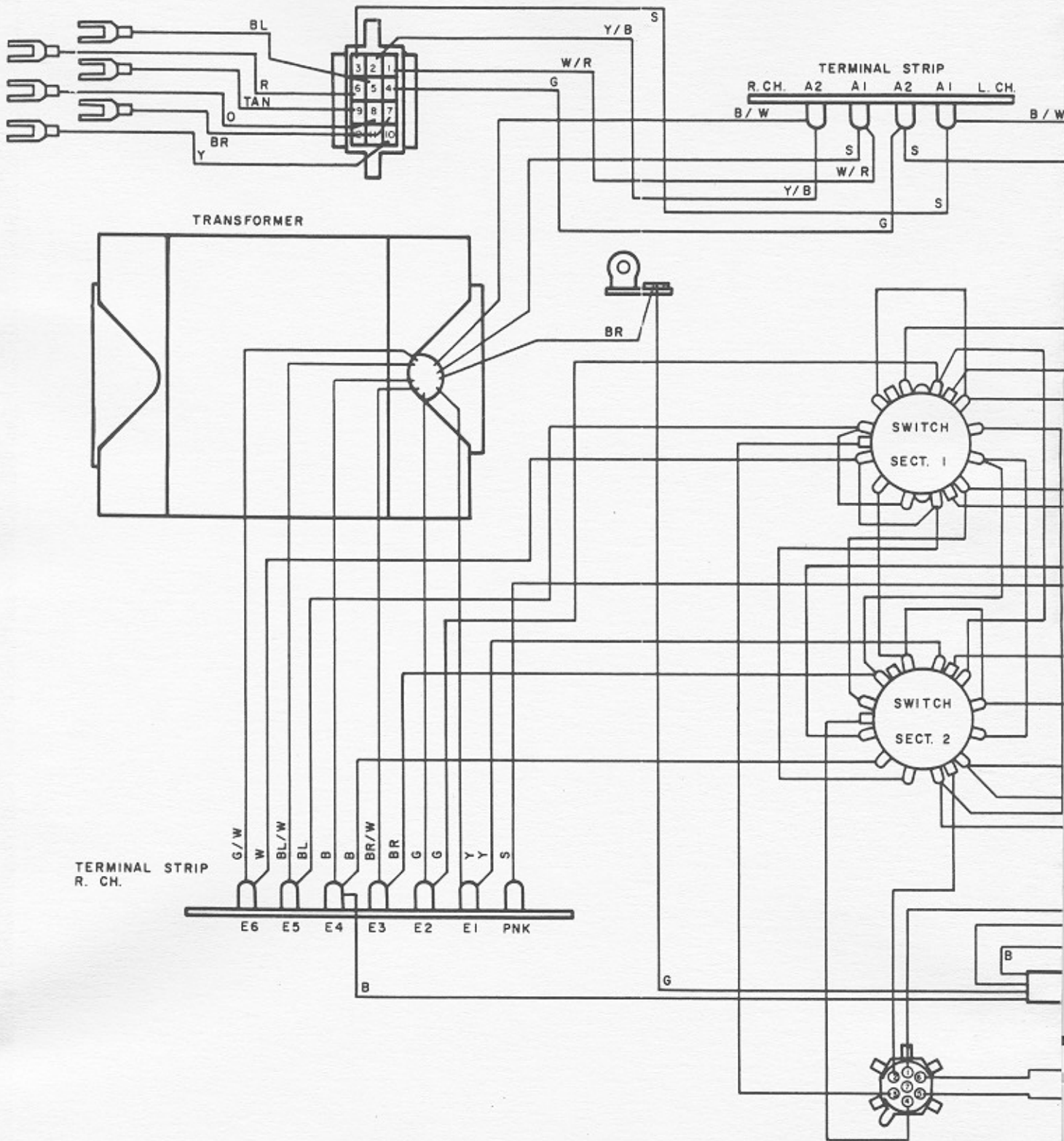
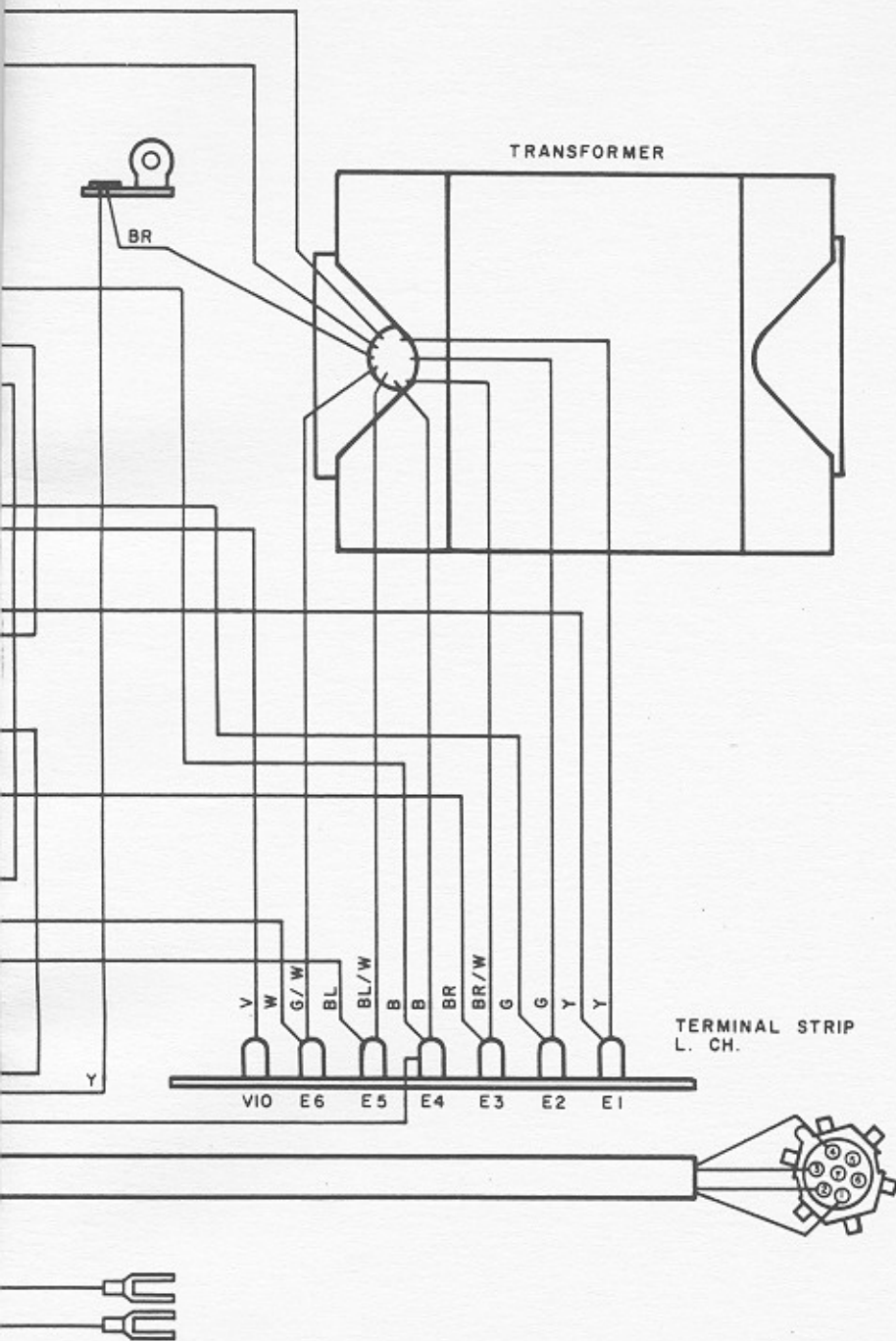


FIGURE 3-11. TRANSFORMER PACKAGE SCHEMATIC DIAGRAM

TRANSFORMER PACKAGE WIRING DIAGRAM





(SOW) L-5770A-0-1 REL
(IOW) R-3774A-0-1 REL

FIGURE 3-12. TRANSFORMER PACKAGE WIRING DIAGRAM

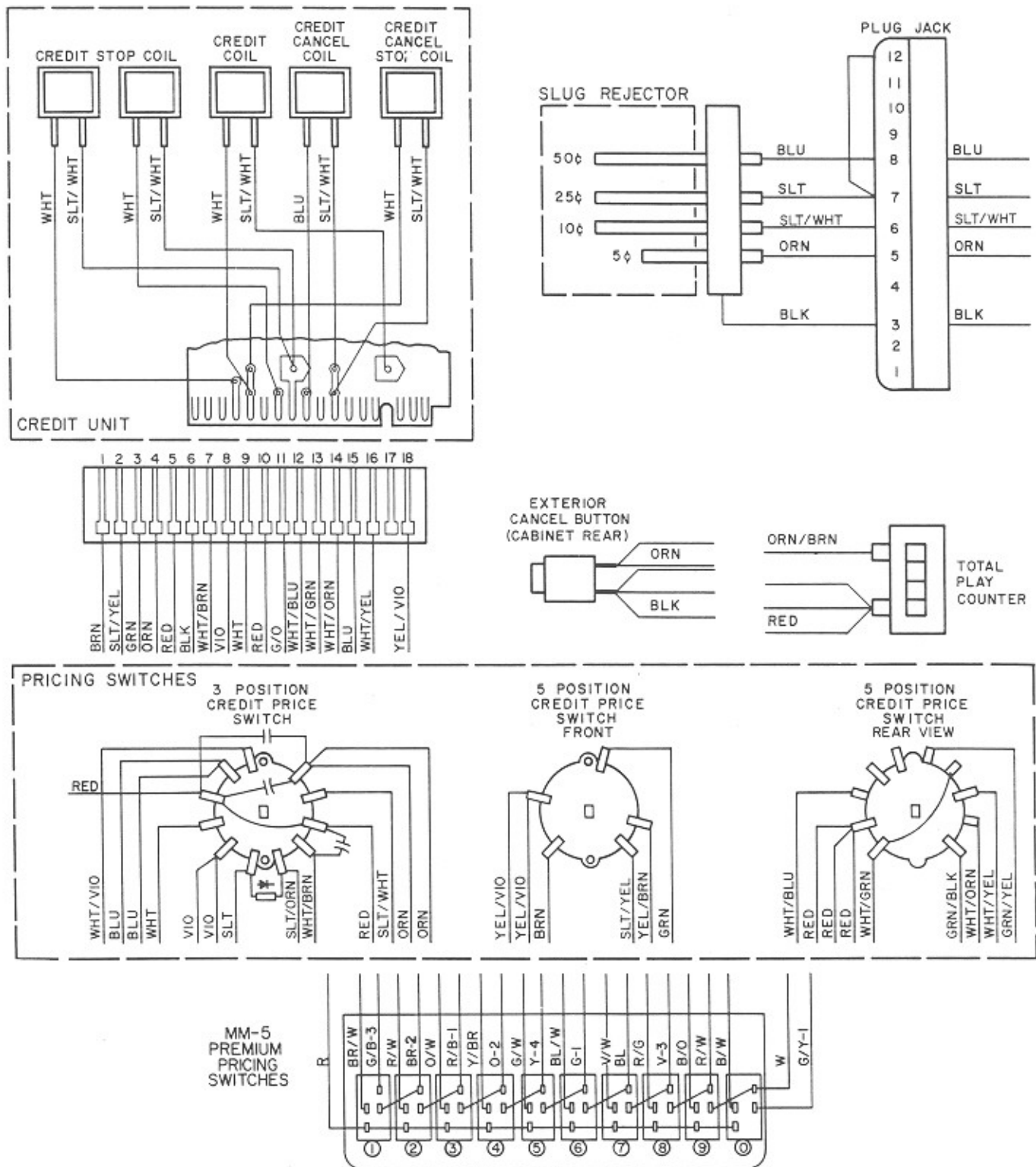


FIGURE 3-13. CREDIT AND PRICING SYSTEM WIRING DIAGRAM

JUNCTION BOX SCHEMATIC AND WIRING DIAGRAM

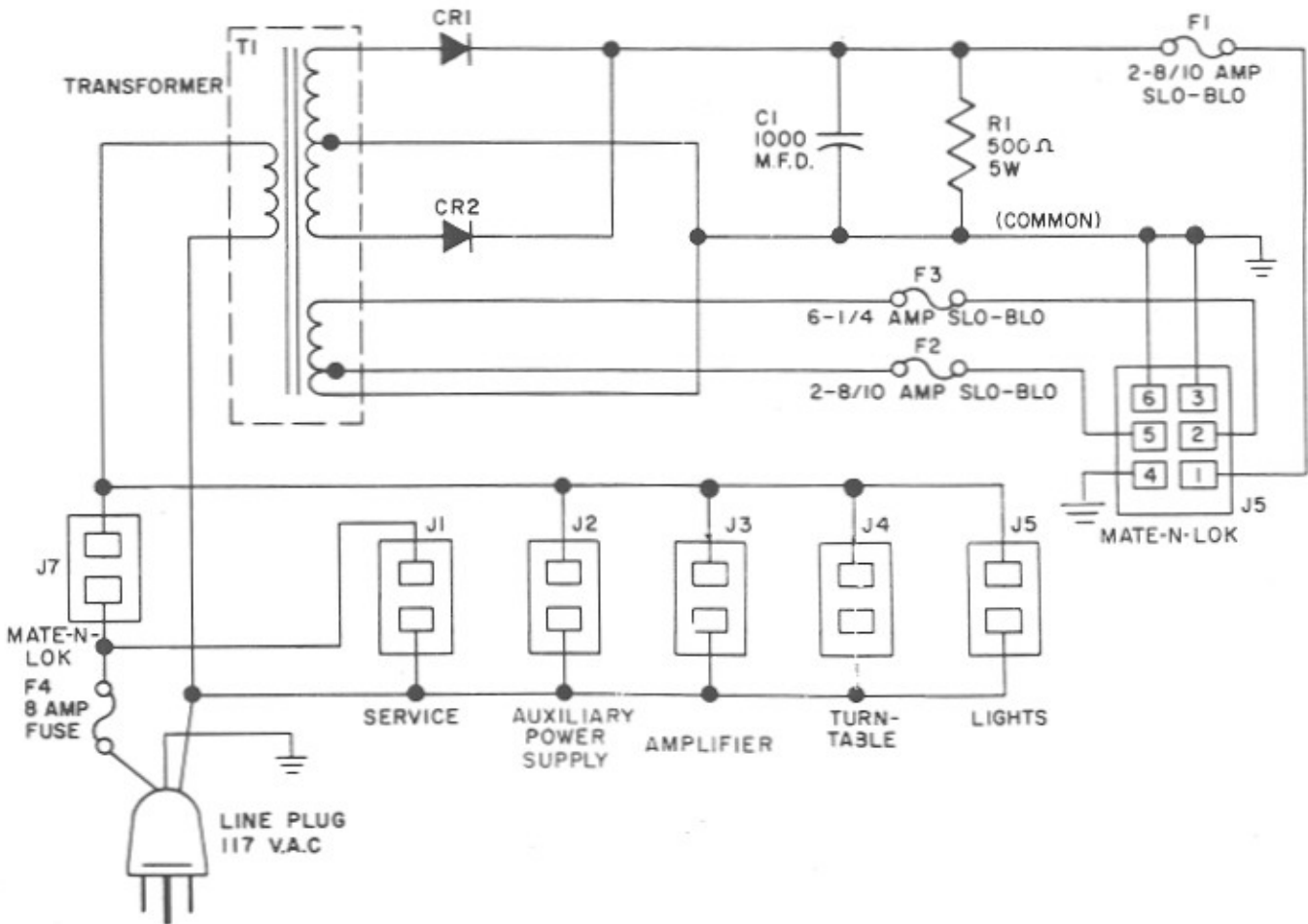
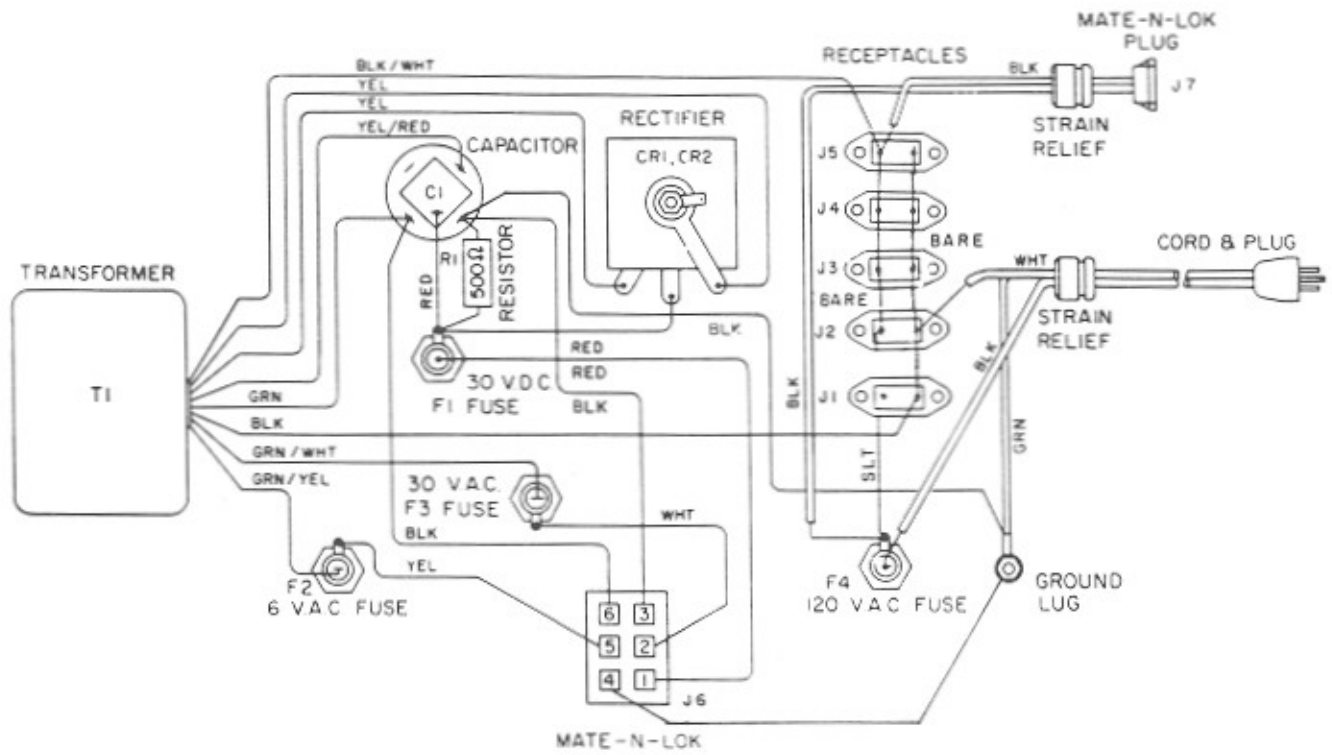


FIGURE 3-14. JUNCTION BOX SCHEMATIC AND WIRING DIAGRAM