



SILVER SAGE



MONTEREY



BOURBON STREET



LAVENDER LADIES

**MM-6
phonographs
supplement**

PARTS CATALOG

TABLE OF CONTENTS

	PAGE
INTRODUCTION	41
Figure 1 Phonograph Final Assembly	42
Figure 2 Front Door Assembly	52
Figure 3 Selector and Trim Assembly	54
Figure 4 Selector Support Assembly	58
Figure 5 Top Door Assembly	60
Figure 17 Title Rack Panel Assembly	64
Figure 19 Harness and Console Assembly	65
Figure 25 Pre-Amplifier Assembly	66

SECTION 5 PARTS CATALOG

INTRODUCTION

This Parts Catalog is intended to be used in conjunction with the MM-5 Parts Catalog. It lists and illustrates those assemblies and related components used in the MM-6 Phonograph that differ from those used in the MM-5. Assemblies that are common to both MM-5 and MM-6 Phonographs are not listed in this Supplement. In these cases, references to the MM-5 Parts Catalog are contained in their next higher assemblies.

The figure number for each figure listed in this Supplement coincides with the corresponding figure number in the MM-5 Parts Catalog to facilitate cross-referencing.

FIGURE
1

Phonograph Final Assembly, MM-6, Sheet 1

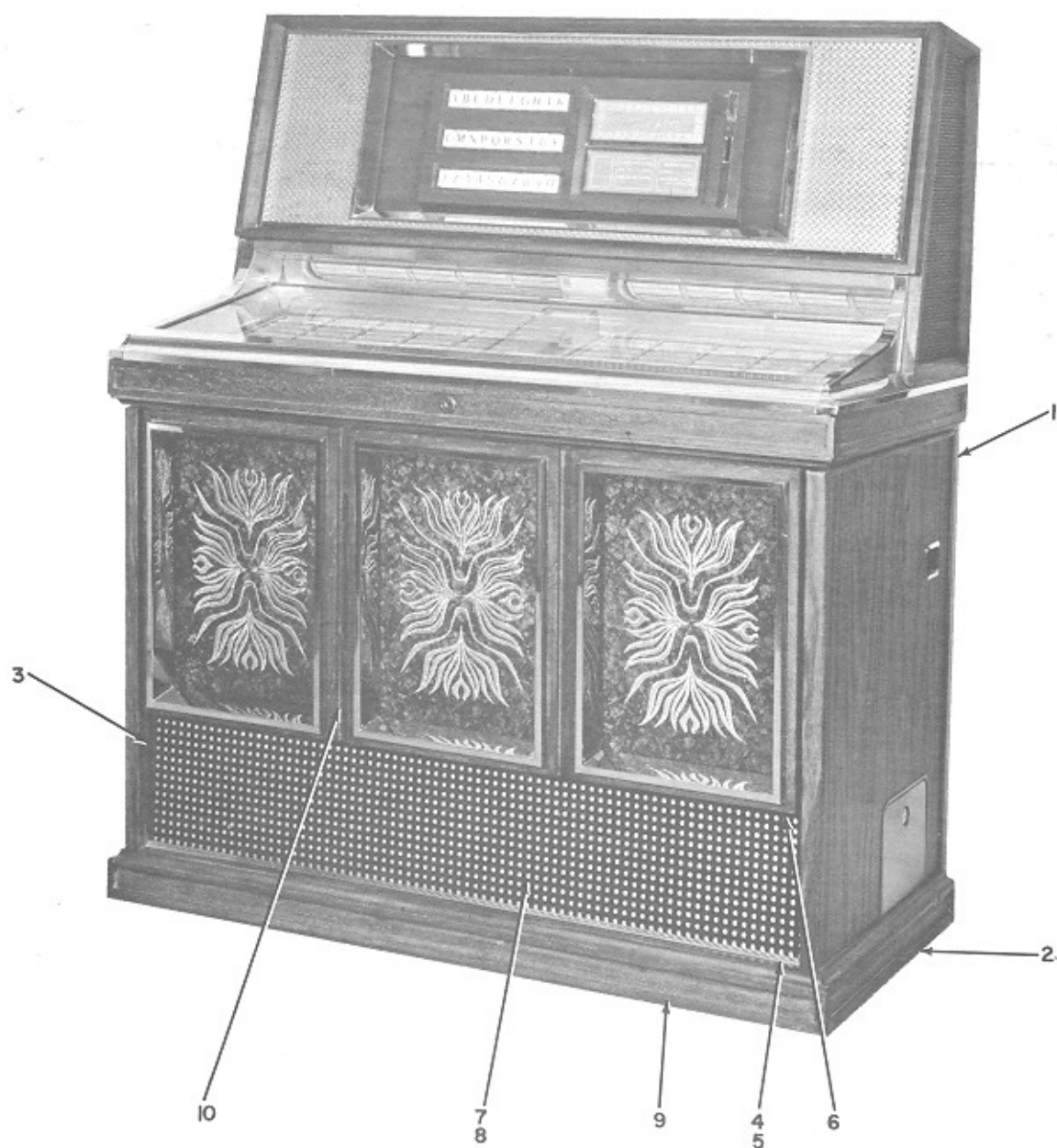


Fig. and Index No.	Rowe Part No.	DESCRIPTION	Qty. Per Ass'y
1-	601-05801	Phonograph Final Assembly, MM-6 (Monterey)	
	602-05801	Phonograph Final Assembly, MM-6 (Bourbon Street)	
	603-05801	Phonograph Final Assembly, MM-6 (Lavender Ladies)	
	604-05801	Phonograph Final Assembly, MM-6 (Silver Sage)	
	201-14483	. Accessories Bag Assembly	1
	702-00720	. . Fuse	1
	703-00721	. . Fuse	1
	707-00721	. . Fuse	1
	721-00721	. . Fuse	1
	716-00721	. . Fuse	1
	701-00720	. . Fuse	2
	200-11445	. . Fuse	1
	703-00926	. . Contact, Socket	1
	704-00926	. . Contact, Socket	1
	718-00926	. . Contact, Socket	1
	716-00926	. . Contact, Socket	1
	716-00913	. . Terminal, Lug	10
	200-11988	. . Bag, Accessory	1
1	400-06200	. Trim, Side Panel, L.H.	1
	400-06201	. Trim, Side Panel, R.H.	1
2	600-05854	. Trim, Lower Side, L.H.	1
	600-05855	. Trim, Lower Side, R.H.	1
3	200-14916	. Retainer, Grille Side	2
4	200-14914	. Trim, Lower, Front	1
5	201-14917	. Trim, Grille Retainer (Monterey & Bourbon Street)	1
6	200-14915	. Retainer, Grille, Top	1
7	400-06219	. Grille, Lower (Monterey & Bourbon Street)	1
	400-06218	. Grille, Lower (Lavender Ladies & Silver Sage)	ALT
8	300-06799	. Backing, Grille	1
9	600-05856	. Trim, Bottom, Front	1
10	601-05881	. Front Door Assembly (Monterey) (See Figure 2)	1
	602-05881	. Front Door Assembly (Bourbon Street) (See Figure 2)	ALT
	603-05881	. Front Door Assembly (Lavender Ladies) (See Figure 2)	ALT
	604-05881	. Front Door Assembly (Silver Sage) (See Figure 2)	ALT

FIGURE
1

Phonograph Final Assembly, MM-6, Sheet 2

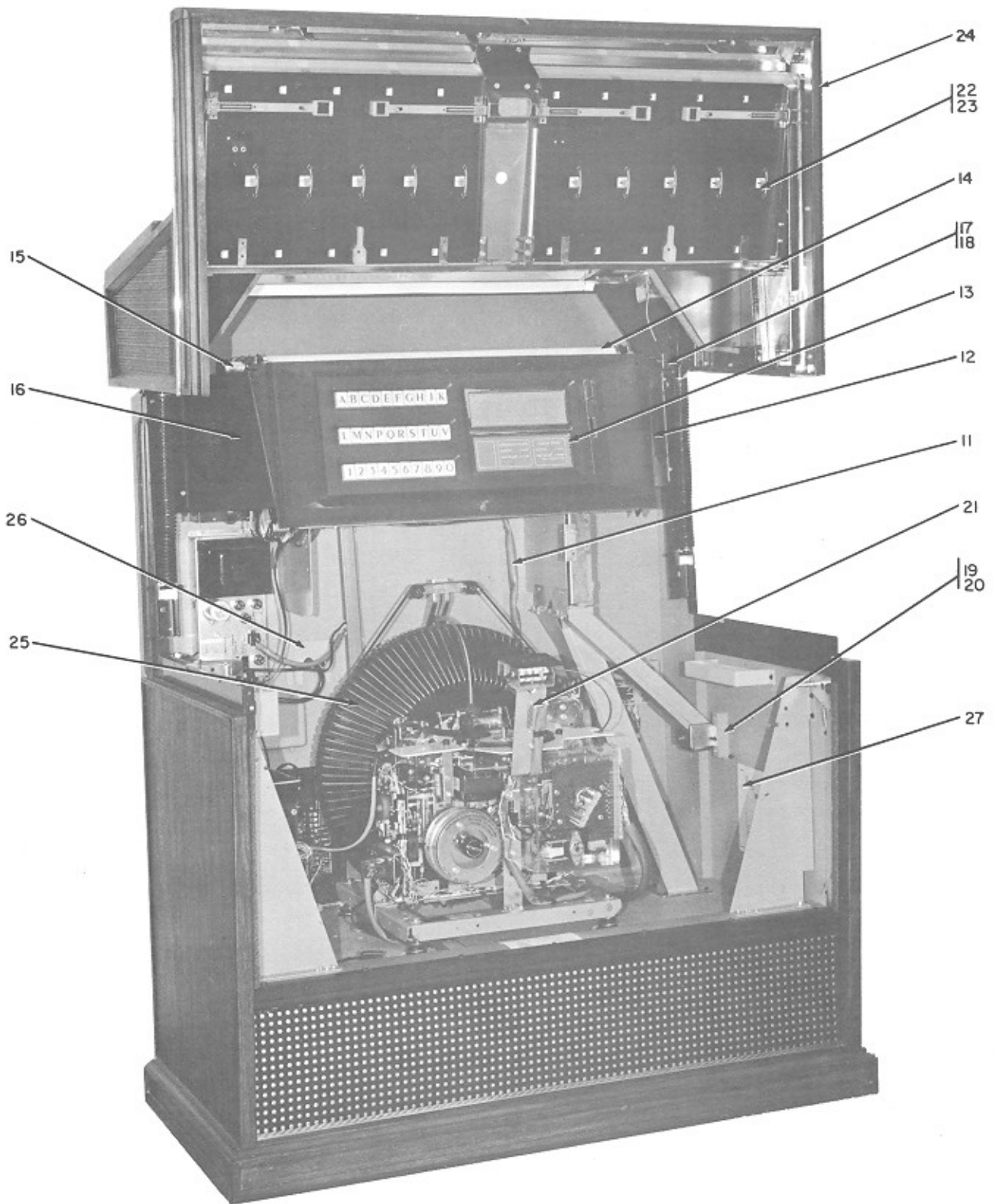


Fig. and Index No.	Rowe Part No.	DESCRIPTION	Qty. Per Ass'y
1-		Phonograph Final Assembly (Continued)	
11	204-08795	. Bracket, Retainer	2
12	601-05890	. Selector and Trim Assembly (Monterey) (See Figure 3)	1
	602-05890	. Selector and Trim Assembly (Bourbon Street) (See Figure 3)	ALT
	603-05890	. Selector and Trim Assembly (Silver Sage & Lavender Ladies) (See Figure 3)	ALT
13	200-14801	. Price and Credit Card	1
	200-14803	. Price and Credit Card	ALT
	300-06773	. Reflector, Light	2
14	707-00601	. Lamp, Fluorescent	2
15	703-00800	. Starter, Fluorescent	2
16	601-05887	. Selector Support Assembly (See Figure 4)	1
17	200-13148	. Pin, Hinge	2
18	704-01430	. Ring, Retaining	2
19	200-14847	. Collar, Coin Chute	1
20	200-14855	. Gasket, Coin Chute	1
21	200-11449	. Clip, Speed	1
	301-06545	. Rack and Number Assembly	1
	302-06545	. Rack and Number Assembly	1
	303-06545	. Rack and Number Assembly	1
	304-06545	. Rack and Number Assembly	1
	305-06545	. Rack and Number Assembly	1
	306-06545	. Rack and Number Assembly	1
	307-06545	. Rack and Number Assembly	1
	308-06545	. Rack and Number Assembly	1
	309-06545	. Rack and Number Assembly	1
	310-06545	. Rack and Number Assembly	1
22	301-06544	. . Strip (A1-V1)	1
	302-06544	. . Strip (A -V2)	1
	303-06544	. . Strip (A3-V3)	1
	304-06544	. . Strip (A4-V4)	1
	305-06544	. . Strip (A5-V5)	1
	306-06544	. . Strip (A6-V6)	1
	307-06544	. . Strip (A7-V7)	1
	308-06544	. . Strip (A8-V8)	1
	310-06544	. . Strip (A9-V9)	1
	311-06544	. . Strip (A0-V0)	1
23	602-03671	. . Rack, Title Strip	1
24	601-05888	. Top Door Assembly (Monterey) (See Figure 5)	1
	602-05888	. Top Door Assembly (Bourbon Street) (See Figure 5)	ALT
	603-05888	. Top Door Assembly (Lavender Ladies & Silver Sage) (See Figure 5)	ALT
25	606-03050	. Mechanism Assembly (See MM-5 Figure 6)	1
26	200-14844	. Cover, Cord Hole	1
	702-00931	. Clamp, Cable	3
	701-00934	. Clamp, Cable	1
	702-00934	. Clamp, Cable	4
	706-00931	. Clamp, Cable	1
27	200-13318	. Label, Stepper	1

FIGURE 1

Phonograph Final Assembly, MM-6, Sheet 3

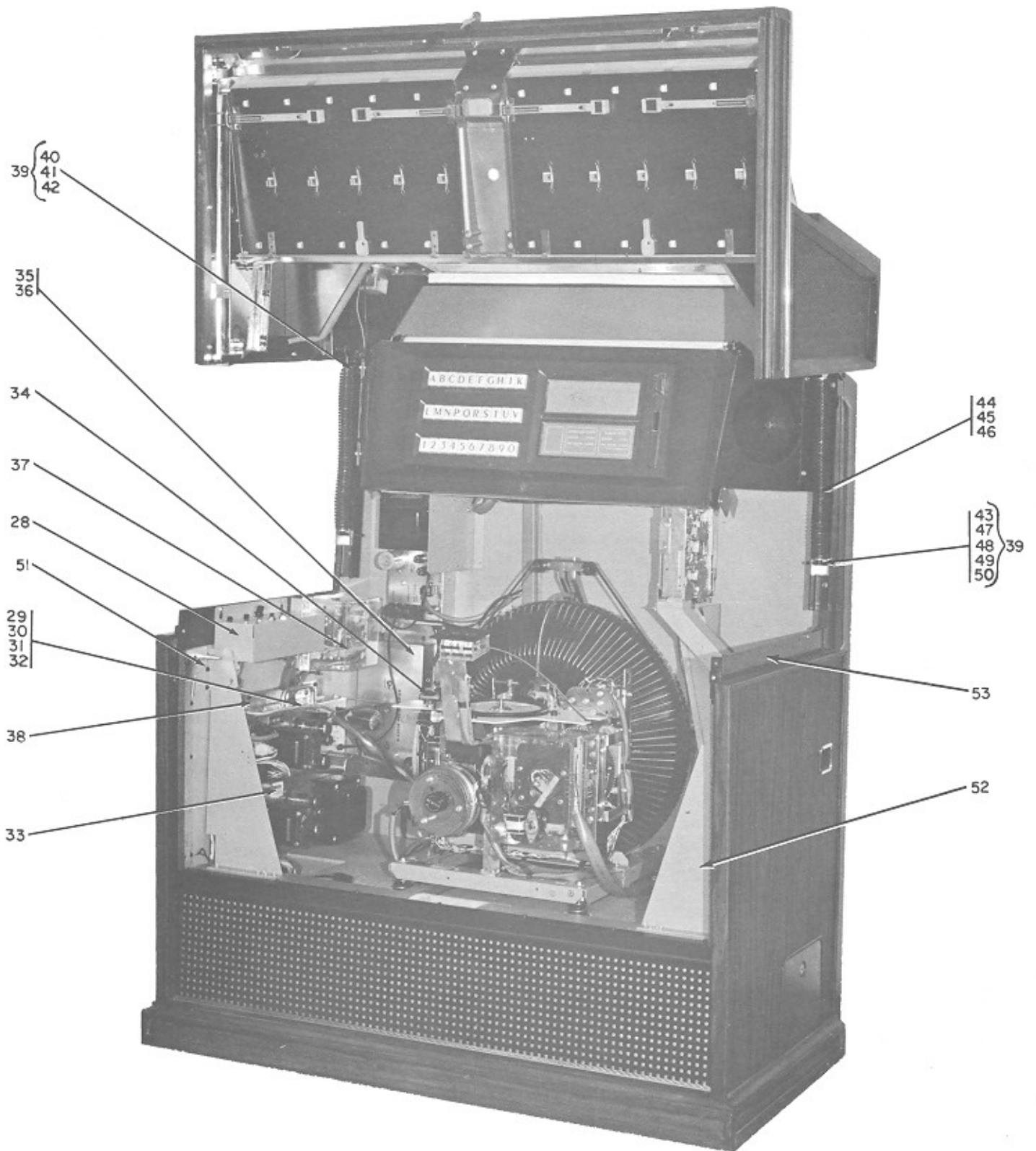


Fig. and Index No.	Rowe Part No.	DESCRIPTION	Qty. Per Ass'y
1-		Phonograph Final Assembly (Continued)	
28	601-05896	. Harness and Console Assembly (See Figure 19)	1
29	602-04358	. Stereo Amplifier Assembly (50W) (Tube)	1
	602-04195	. Stereo Amplifier and Transformer Assembly (100W)	ALT
30	602-04359	. . Power Amplifier Assembly (50W) (See MM-5 Figure 18)	1
31	602-03760	. . Stereo Amplifier Assembly (100W) (See MM-5 Figure 21)	1
32	602-04372	. . Pre-Amplifier Assembly, 50W	1
	301-06500	. . . Connector and Cable Assembly	1
	200-09295	. . . Bracket, Retaining	2
	200-10898	. . . Nut, Push-On	4
	705-00931	. . . Clamp, Cable	1
	200-03068	. . . Receptacle, Phono Plug	2
	602-03758	. . . Pre-Amplifier Assembly (See Figure 25)	1
	401-06016	. . . Chassis Assembly	1
	601-03774	. . Output Transformer Assembly (100W) (See MM-5 Figure 23)	1
33	200-13056	. Label, Transformer	1
34	201-09257	. Tone Arm Cable and Plug Assembly	1
	200-03860	. . Plug, Miniature	1
	200-03861	. . Head	1
	200-13086	. . Plug, Phonograph	2
	201-13085	. . Sleeve, Grounding	2
35	403-05767	. Junction Box Assembly (See MM-5 Figure 26)	1
36	200-09256	. Bracket, Junction Box	1
37	603-03300	. Credit Unit Assembly (See MM-5 Figure 27)	1
	300-06755	. Bracket, Credit Unit	1
38	401-02426	. Bracket, Mounting, Amplifier	1
39	402-06113	. Spring Assembly, L.H.	1
	402-06114	. Spring Assembly, R.H.	1
40	704-01430	. . Ring, Retaining	1
41	200-13148	. . Pin, Hinge	1
42	200-12433	. . Washer	1
43	712-01131	. . Pin, Roll	2
44	300-06779	. . Spring, Compression	1
45	200-14946	. . Sleeve, Spring	1
46	200-14824	. . Spring, Booster	1
47	200-14822	. . Rod, Push	1
48	200-14811	. . Bracket, Spring	1
49	300-06624	. . Support, Spring, L.H.	1
	300-06625	. . Support, Spring, R.H.	1
50	300-06648	. . Bracket, Spring Support	1
51	200-14918	. Latch Plate Assembly	1
	200-14919	. Latch Plate Assembly	1
	200-14909	. . Pin, Latch	1
	200-14906	. . Plate, Latch	1
52	200-14913	. Guide, Door	2
53	401-06235	. Filler Panel Assembly, L.H.	1
	401-06236	. Filler Panel Assembly, R.H.	1

FIGURE
1

Phonograph Final Assembly, MM-6, Sheet 4

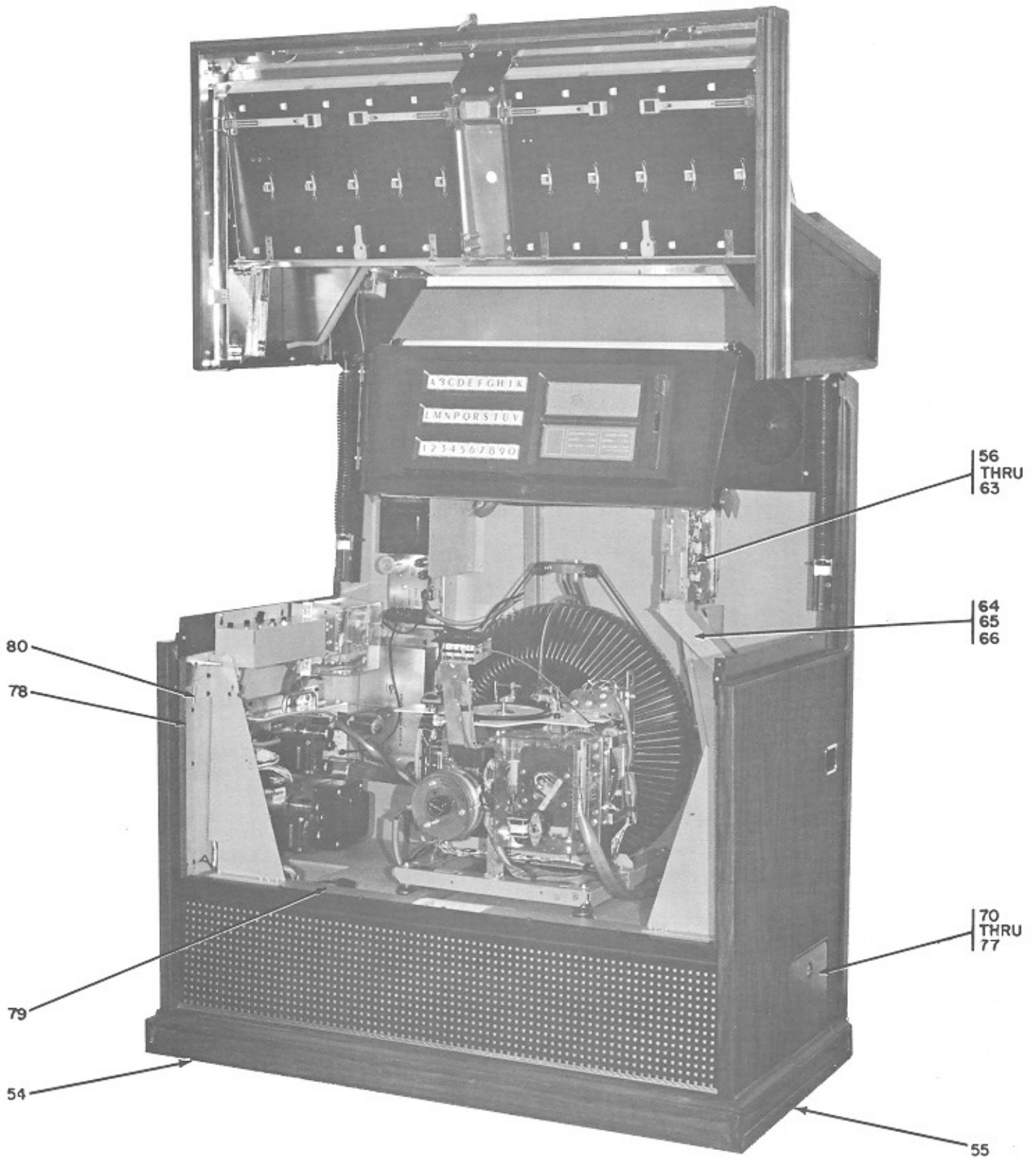


Fig. and Index No.	Rowe Part No.	DESCRIPTION	Qty. Per Ass'y
1-		Phonograph Final Assembly (Continued)	
54	200-14927	. Strap, Protective, Front	1
55	200-14928	. Strap, Protective, Side	2
56	401-06224	. Rejector and Coin Switch Assembly	1
57	400-05476	. . Rejector, Slug, 50 Cents	1
58	200-14114	. . Spacer	1
59	200-14923	. . Hinge, Rejector	1
60	303-05745	. . Coin Switch Assembly, 4 Coin	1
61	302-06568	. . Harness Assembly, Slug Rejector	1
62	204-12445	. . . Housing, Pin, 12 Circuit	1
63	401-05793	. . Mounting Bracket Assembly	1
64	202-13578	. Stop Nut	1
65	702-01200	. Washer, Flat	1
66	301-06770	. Slug Chute Assembly	1
67	200-14858	. Bracket, Slug Cup (See Figure 1, Sheet 5)	1
68	201-06463	. Slug Cup and Door Assembly (See Figure 1, Sheet 5)	1
69	601-05105	. Coin Chute Assembly, Lower (See Figure 1, Sheet 5)	1
70	201-14925	. Cash Box Door Assembly	1
71	716-01600	. . Lock, Cylinder Type	1
72	400-06750	. . Overlay, Door	1
73	200-06695	. . Support, Lock	1
74	200-07703	. . Bracket, Catch	1
75	611-03267	. . Door, Cash Box	1
76	410-05276	. Frame, Cash Box Door	1
77	300-06531	. Bag, Cash	1
	702-00934	. Clamp, Cable	1
78	400-06211	. Stop, Door	2
79	400-06210	. Hanger, Front Door	1
	200-14950	. Screw, Pivot	2
	202-11100	. Washer, Thrust	2
	714-13578	. Stop Nut	2
80	200-10896	. Spring	2
	Not Used		

FIGURE
1

Phonograph Final Assembly, MM-6, Sheet 5

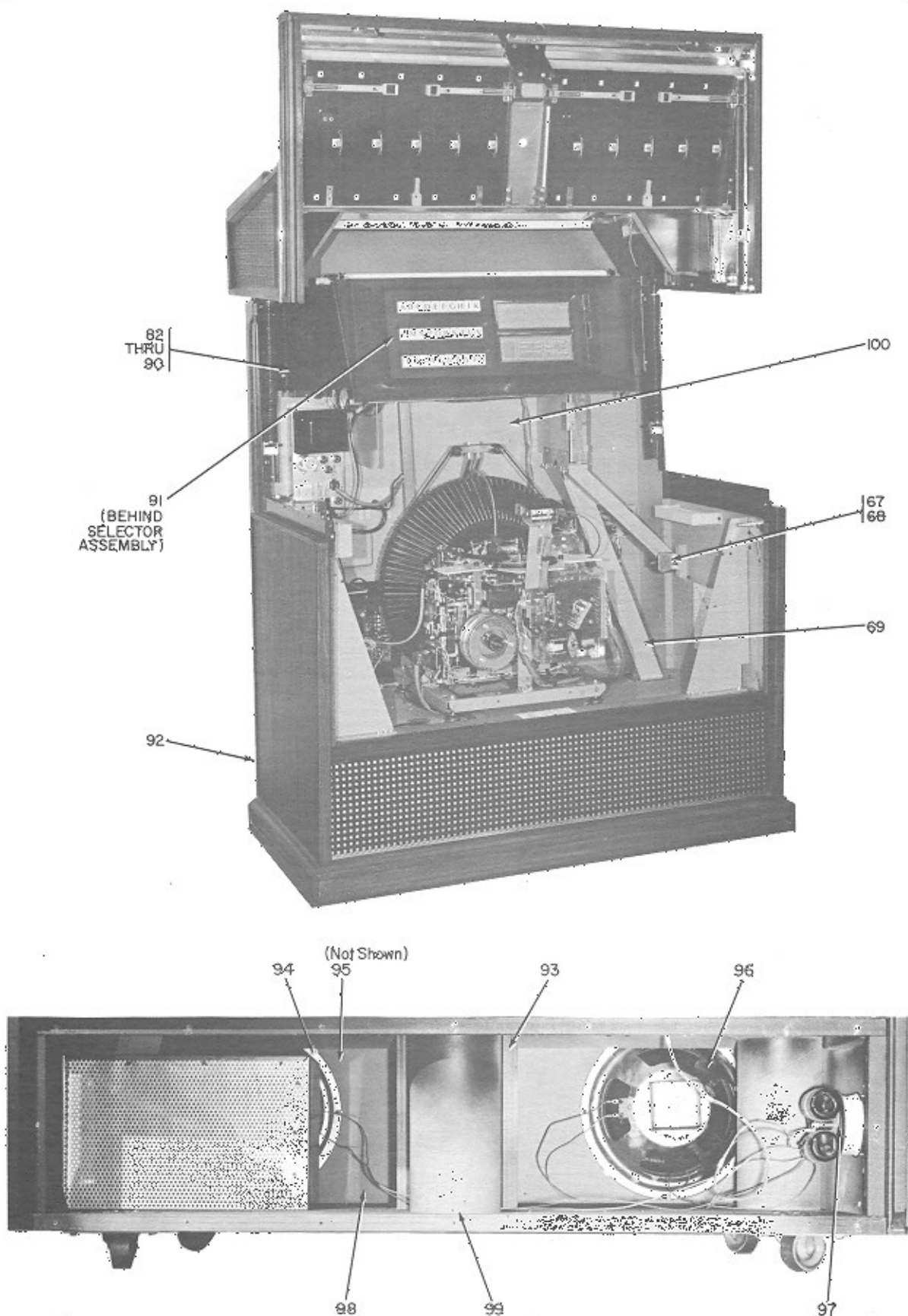


Fig. and Index No.	Rowe Part No.	DESCRIPTION	Qty. Per Ass'y
1-		Phonograph Final Assembly (Continued)	
82	401-06222	. Speaker and Cover Assembly, R. H.	1
	401-06221	. Speaker and Cover Assembly, L. H.	1
83	400-06215	. . Plate, Speaker Mounting, R. H.	1
	400-06214	. . Plate, Speaker Mounting, L. H.	1
84	600-03677	. . Cover, Speaker	1
85	706-02119	. . Gasket, Speaker	1
86	200-13265	. . Pad, Acoustical	2
87	702-00913	. . Terminal, Lug	1
88	716-00913	. . Terminal, Lug	1
89	206-12445	. . Housing, Pin, 2 Circuit	1
90	400-06146	. . Speaker, Mid/High Frequency	1
	712-00931	. Clamp, Cable	2
91	200-12160	. Capacitor, Electrolytic	2
92	300-06532	. Door, Speaker Compartment	1
93	401-06127	. Enclosure Assembly	1
94	200-14044	. Screw, Machine	8
95	203-13723	. Burglar Alarm Kit	1
	602-04450	. . Burglar Alarm Assembly (See MM-5 Figure 28)	1
	200-13991	. . Power Pack, Alarm	1
96	400-02437	. Speaker, Low Frequency	2
97	303-06284	. Speaker Network Assembly	1
	200-13244	. . Strip, Terminal	1
	200-14853	. . Capacitor, Electrolytic	1
	712-00931	. . Clamp, Cable	1
	704-01200	. . Washer, Flat	1
	709-01211	. . Spacer	1
	201-14852	. . Inductor	1
	207-13363	. . Wire and Lug Assembly	1
	208-13363	. . Wire and Lug Assembly	1
	200-09297	. . Bracket	1
98	200-14854	. Pad, Acoustical	1
99	200-14520	. Plate, Bottom	1
	202-12652	. Plate Assembly, Tie-Down	1
	702-03117	. Nameplate	1
	200-66390	. Wheel, Credit	1
	300-06679	. Cover, Harness, Front	1
	300-06681	. Cover, Harness, Back	1
	300-06796	. Cover, Harness, Bottom	1
	300-06687	. Cover, Harness	1
100	601-05850	. Shell Assembly (See MM-5 Figure 27)	1

FIGURE
2

Front Door Assembly

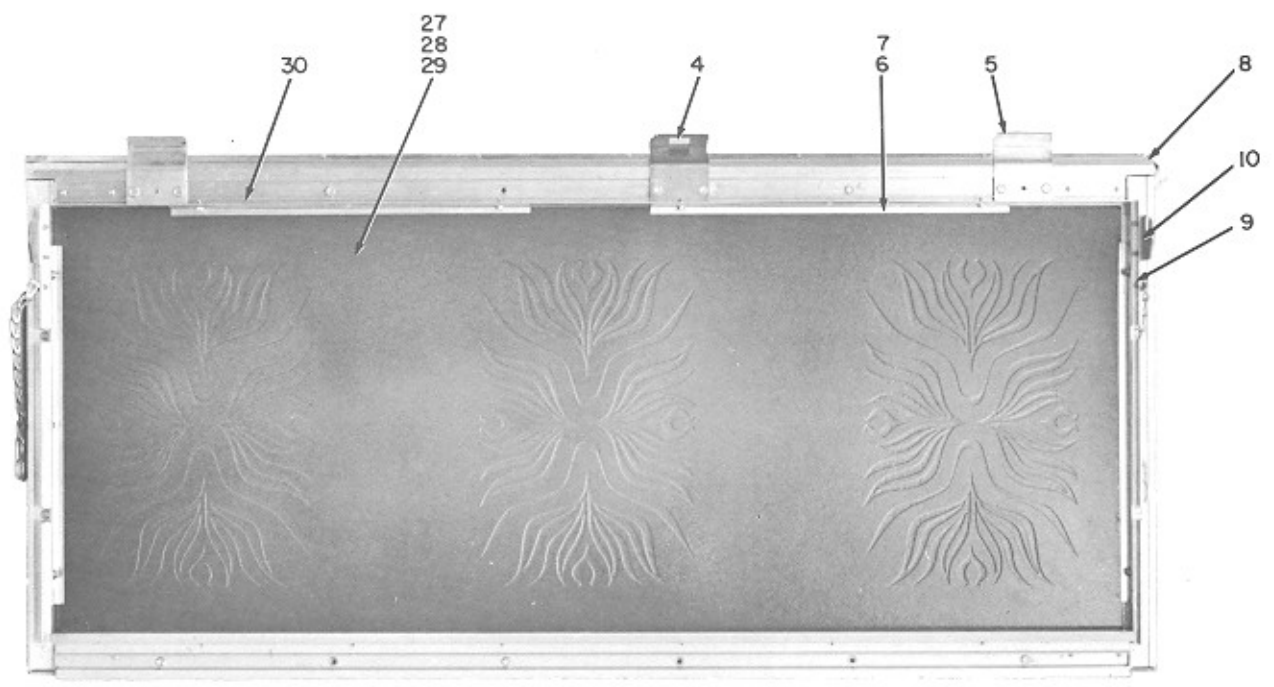
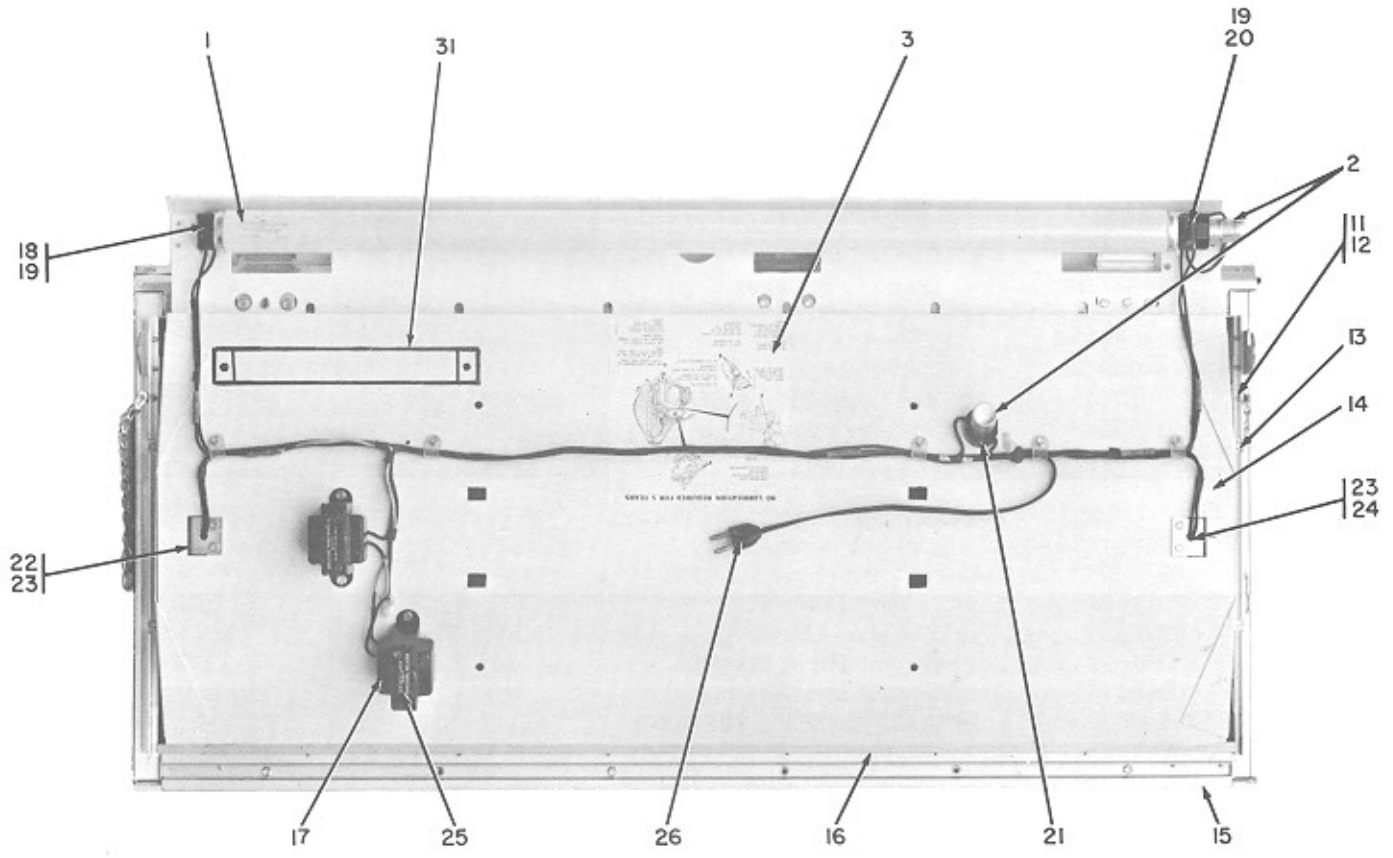


Fig. and Index No.	Rowe Part No.	DESCRIPTION	Qty. Per Ass'y
2-	601-05881	Front Door Assembly (Monterey) (See Figure 1, Item 11)	REF
	602-05881	Front Door Assembly (Bourbon Street) (See Figure 1, Item 11)	REF
	603-05881	Front Door Assembly (Lavender Ladies) (See Figure 1, Item 11)	REF
	604-05881	Front Door Assembly (Silver Sage) (See Figure 1, Item 11)	REF
1	706-00601	. Lamp, Fluorescent	2
2	703-00800	. Starter, Fluorescent	2
3	200-14505	. Chart, Lubrication	1
4	202-14905	. Catch, Door	1
5	201-14905	. Catch, Door	2
6	200-13825	. Gusset	4
7	200-14911	. Retainer, Upper, Front Door	4
8	600-05878	. Top, Front Door	1
	724-02119	. Sponge, Rubber	1
9	400-06209	. Side, Front Door	2
10	200-14908	. Plate, Strike	2
11	300-06800	. Diffuser	1
12	200-10836	. Spring, Tension	4
13	200-14958	. Fall Stop	2
14	401-06231	. Reflector Panel Assembly	1
15	600-05879	. Bottom, Front Door	1
16	200-14961	. Retainer, Lower, Front Door	1
17	702-00931	. Clamp, Cable	5
	401-06233	. Harness Assembly, Front Door	1
18	220-12931	. . Lampholder, Fluorescent Lamp	1
19	200-13937	. . Bracket, Front Light	2
20	221-12931	. . Lampholder, Fluorescent Lamp	1
21	200-00295	. . Socket, Starter	2
22	219-12931	. . Lampholder, Fluorescent Lamp	1
23	201-13938	. . Bracket and Eyelet Assembly	2
24	218-13931	. . Lampholder, Fluorescent Lamp	1
25	200-13801	. . Ballast	2
26	722-00500	. . Cord and Plug	1
	600-05883	. Wrought Iron, Front Door (Bourbon Street)	3
27	300-06793	. Panel, Decorative (Monterey)	1
	400-06234	. Panel, Decorative (Bourbon Street)	1
	600-05899	. Insert, Wood	3
28	600-05898	. Window, Front Door (Lavender Ladies)	1
29	300-06795	. Window, Front Door, Clear (Lavender Ladies)	1
	600-05894	. Window, Front Door (Silver Sage)	1
30	601-05876	. Frame, Front Door (Monterey and Bourbon Street)	1
	602-05876	. Frame, Front Door (Lavender Ladies and Silver Sage)	1
31	400-05924	. Holder, Record	1

FIGURE
3

Selector and Trim Assembly, Sheet 1

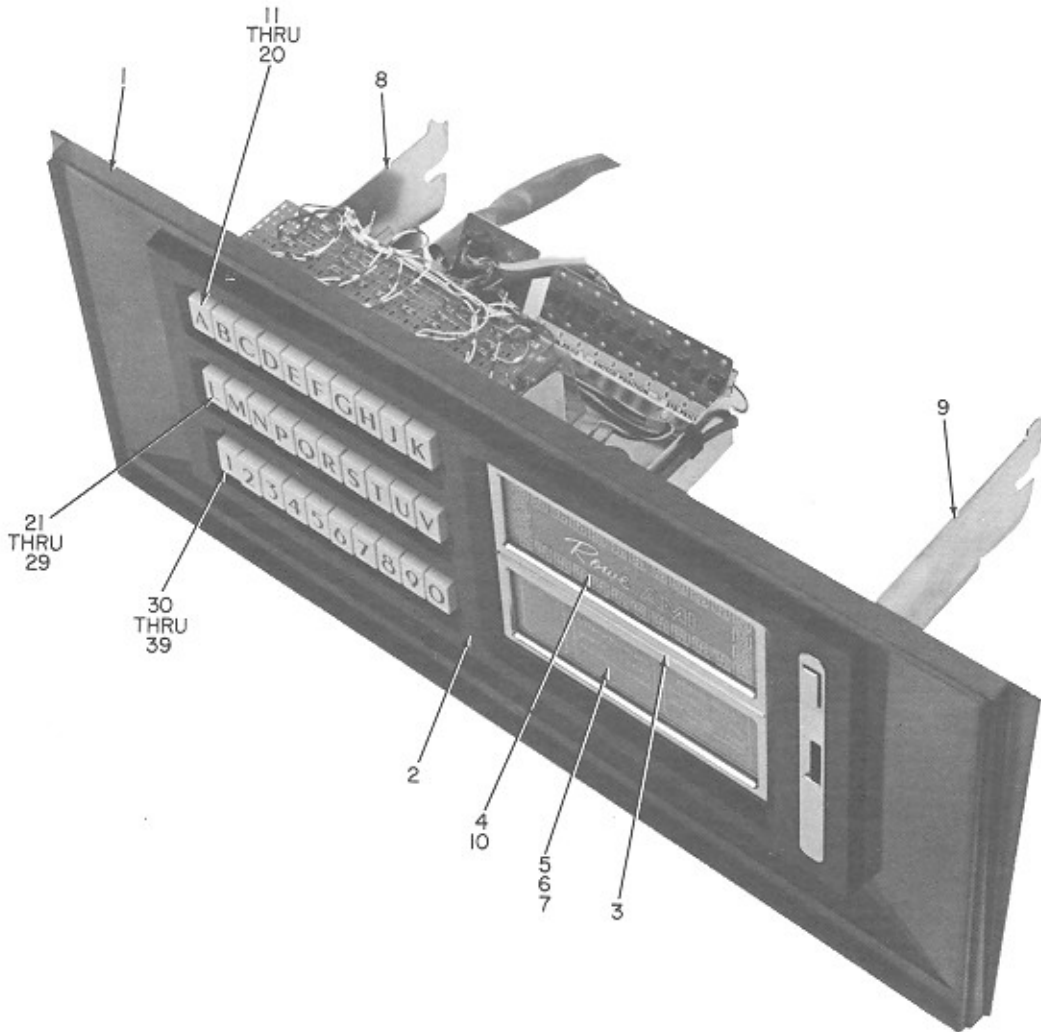


Fig. and Index No.	Rowe Part No.	DESCRIPTION	Qty. Per Ass'y
3-	601-05890	Selector and Trim Assembly (Monterey) (See Figure 1, Item 13)	REF
	602-05890	Selector and Trim Assembly (Bourbon Street) (See Figure 1, Item 13)	REF
	603-05890	Selector and Trim Assembly (Silver Sage and Lavender Ladies) (See Figure 1, Item 13)	REF
1	601-05867	. Trim, Panel, Outer (Monterey)	1
	602-05867	. Trim, Panel, Outer (Bourbon Street)	ALT
	603-05867	. Trim, Panel, Outer (Lavender Ladies and Silver Sage)	ALT
2	602-05076	. Trim, Selector Panel (Monterey)	1
	603-05076	. Trim, Selector Panel (Bourbon Street)	ALT
	604-05076	. Trim, Selector Panel (Lavender Ladies and Silver Sage)	ALT
3	600-05078	. Trim, Display	1
4	201-14931	. Panel, Color (Monterey)	1
	202-14931	. Panel, Color (Bourbon Street)	ALT
	203-14931	. Panel, Color (Lavender Ladies and Silver Sage)	ALT
5	200-14744	. Price and Credit Card	1
6	201-14932	. Background, Price Card (Monterey)	1
	202-14932	. Background, Price Card (Bourbon Street)	ALT
	203-14932	. Background, Price Card (Lavender Ladies and Silver Sage)	ALT
7	200-14741	. Window, Price Card	1
8	300-06634	. Support, L.H.	1
9	300-06635	. Support, R.H.	1
	710-01200	. Washer	1
10	200-14924	. Window, Decorative	1
	601-05891A	. Selector Assembly	1
11	301-06777	. . Pushbutton (A)	1
12	302-06777	. . Pushbutton (B)	1
13	303-06777	. . Pushbutton (C)	1
14	304-06777	. . Pushbutton (D)	1
15	305-06777	. . Pushbutton (E)	1
16	306-06777	. . Pushbutton (F)	1
17	307-06777	. . Pushbutton (G)	1
18	308-06777	. . Pushbutton (H)	1
19	310-06777	. . Pushbutton (J)	1
20	311-06777	. . Pushbutton (K)	1
21	312-06777	. . Pushbutton (L)	1
22	313-06777	. . Pushbutton (M)	1
23	316-06777	. . Pushbutton (P)	1
24	317-06777	. . Pushbutton (Q)	1
25	318-06777	. . Pushbutton (R)	1
26	319-06777	. . Pushbutton (S)	1
27	320-06777	. . Pushbutton (T)	1
28	321-06777	. . Pushbutton (U)	1
29	322-06777	. . Pushbutton (V)	1
30	301-06778	. . Pushbutton (1)	1
31	302-06778	. . Pushbutton (2)	1
32	303-06778	. . Pushbutton (3)	1
33	304-06778	. . Pushbutton (4)	1
34	305-06778	. . Pushbutton (5)	1
35	306-06778	. . Pushbutton (6)	1
36	307-06778	. . Pushbutton (7)	1
37	308-06778	. . Pushbutton (8)	1
38	310-06778	. . Pushbutton (9)	1
39	311-06778	. . Pushbutton (0)	1

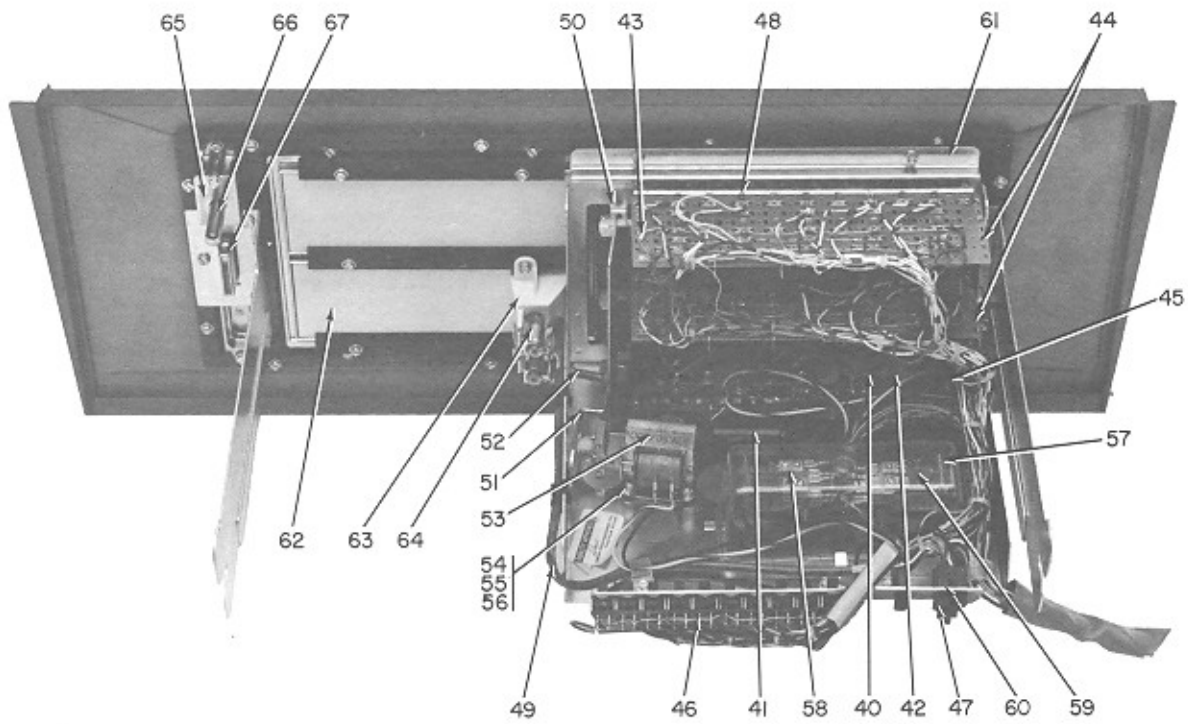


Fig. and Index No.	Rowe Part No.	DESCRIPTION	Qty. Per Ass'y
3-		Selector and Trim Assembly (Continued)	
	708-00931	. . Clamp, Cable	1
	601-05093	. . Harness and Switch Assembly	1
40	706-00104	. . . Resistor	1
41	714-00231	. . . Capacitor, Electrolytic	1
42	703-00222	. . . Capacitor, Ceramic	2
43	702-00350	. . . Rectifier, Silicon	5
44	400-06103	. . . Switch, Letter Pushbutton	2
45	400-06102	. . . Switch, Number Pushbutton	1
46	302-05947	. . . Slide Switch Assembly	1
47	205-12444	. . . Housing, Socket (15 Circuit)	1
48	300-05210	. . . Connector, Edge	1
	702-00913	. . . Terminal, Lug	6
	706-00913	. . . Terminal, Lug	4
	714-00913	. . . Terminal, Lug	8
	702-00916	. . . Terminal, Lug	1
	703-00931	. . Clamp, Cable	1
	200-07545	. . Clamp, Cable	2
49	301-06683	. . Credit Light Assembly	1
50	701-01430	. . Ring, Retaining	2
51	201-14757	. . Release Lever Assembly	1
52	200-14758	. . Spring, Extension	1
53	200-14752	. . Pivot	1
54	201-14833	. . Solenoid and Push Rod Assembly	1
55	200-14828	. . Grommet, Rubber	5
56	200-14756	. . Bushing, Grommet	4
57	300-05572	. . Cover, Relay	1
58	200-14827	. . Relay	1
59	200-14508	. . Relay	1
60	200-14845	. . Bracket, Mounting	1
61	601-05094	. . Selector Frame Assembly	1
62	200-14771	. Retainer, Glass	3
63	400-06132	. Shield, Light	1
64	200-50763	. Light, Pilot	2
	301-06632	. Coin Inlet and Button Assembly	1
65	200-14751	. . Bracket, Mounting	1
66	201-14750	. . Button and Shaft Assembly	1
67	600-05090	. . Trim, Coin Inlet	1

FIGURE
4

Selector Support Assembly

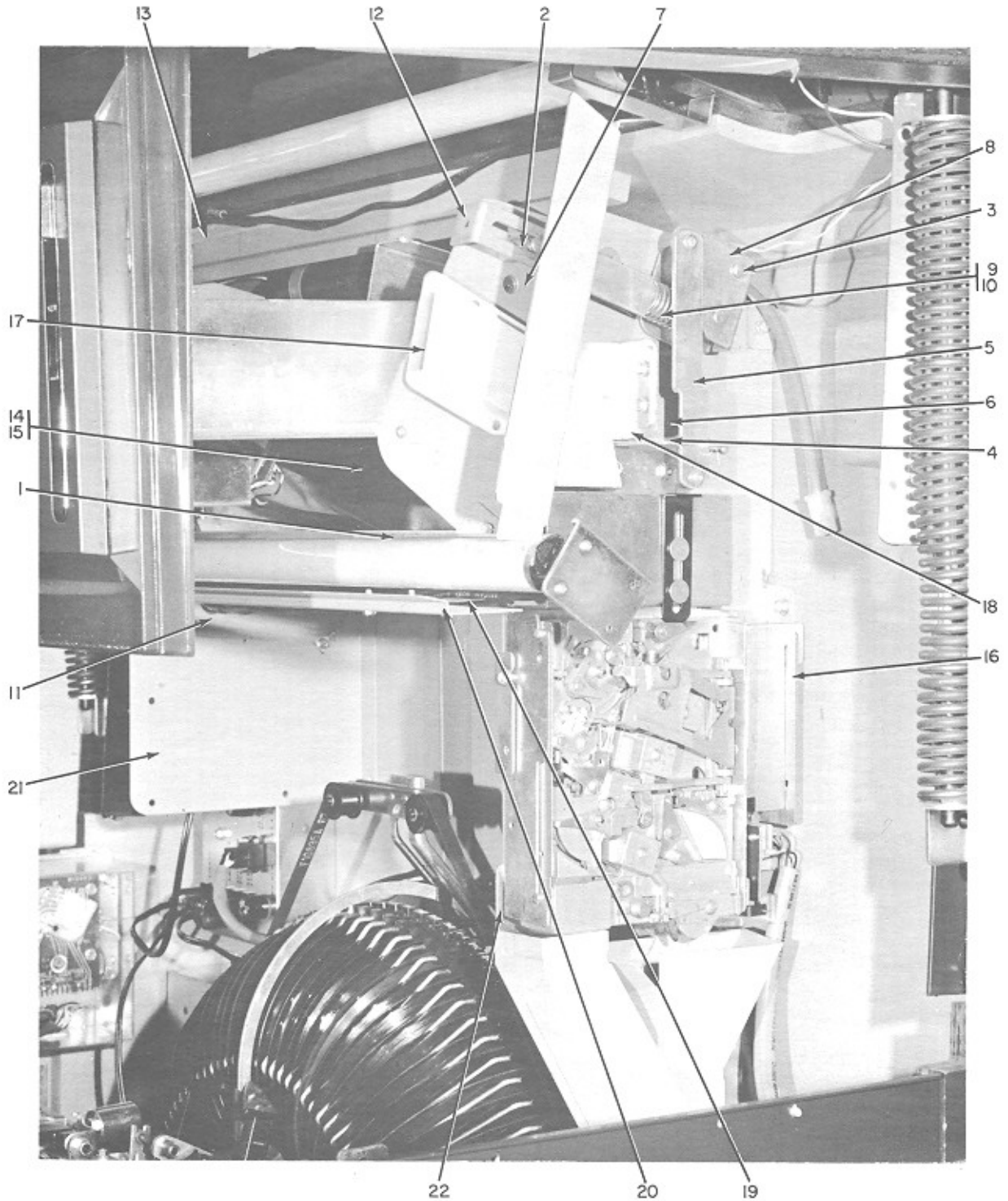


Fig. and Index No.	Rowe Part No.	DESCRIPTION	Qty. Per Ass'y
4-	601-05887	Selector Support Assembly (See Figure 1, Item 17)	REF
1	703-00931	. Clamp, Cable	2
	401-06223	. Selector Light Harness Assembly	1
	714-00501	. . Cord and Plug	1
	202-12931	. . Lampholder, Fluorescent	2
	216-12931	. . Lampholder, Fluorescent	2
	200-14815	. . Bracket, Lampholder, L.H.	1
	200-14816	. . Bracket, Lampholder, R.H.	1
	200-14936	. . Bracket, Lampholder	2
	200-00295	. . Socket, Starter	2
	200-10830	. . Nut, Twin	1
	704-00921	. . Connector, Solderless	6
	707-00921	. . Connector, Solderless	2
	301-06691	. . Cover and Shield Assembly	1
	202-13408	. . Wire and Lug Assembly	1
	704-00931	. . Clamp, Cable	1
	200-00829	. . Grommet, Rubber	1
	200-13203	. . Ballast	2
2	718-01430	. Ring, Retaining	1
3	200-13811	. Pivot, Blade	1
4	200-14764	. Retainer, Scavenge Arm	1
5	201-14767	. Scavenge Arm and Knob Assembly	1
6	200-14819	. Bracket, Coin Chute	1
7	718-01430	. Ring, Retaining	2
8	300-06204	. Bracket, Scavenge Arm	1
9	200-14408	. Spring, Compression	1
10	200-13251	. Spring, Tension	1
11	705-00931	. Clamp, Cable	1
12	200-14763	. Blade, Rejector Button	1
13	300-06642	. Brace, Horizontal	1
14	300-06646	. Guide, Support, L.H.	1
15	300-06647	. Guide, Support, R.H.	1
16	200-14922	. Hinge, Support	1
17	301-06673	. Coin Chute Assembly, Upper	1
18	201-12636	. Strap	1
19	200-14866	. Bracket, Support	2
20	300-06794	. Stiffener, Locator	1
21	601-05100	. Support Assembly, L.H.	1
22	601-05101	. Support Assembly, R.H.	1

FIGURE
5

Top Door Assembly, Sheet 1

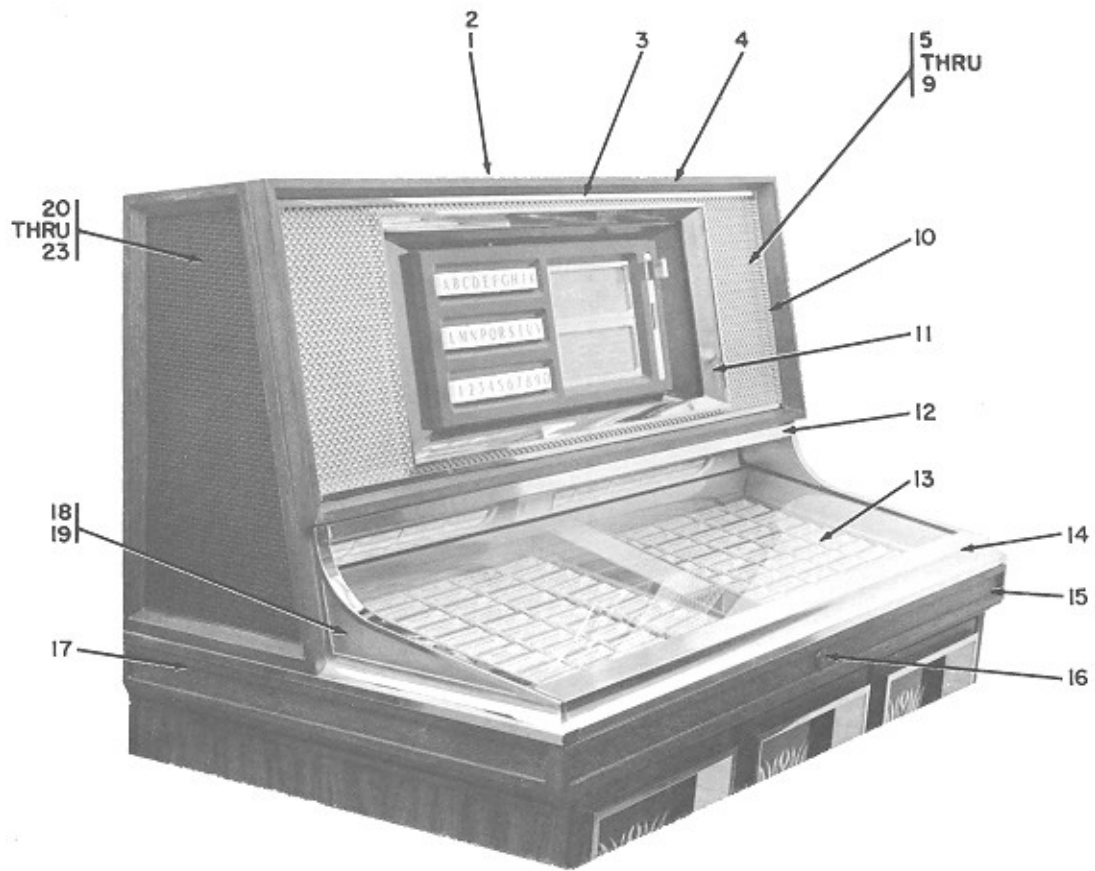


Fig. and Index No.	Rowe Part No.	DESCRIPTION	Qty. Per Ass'y
5-	601-05888	Top Door Assembly (Monterey) (See Figure 1, Item 25)	REF
	602-05888	Top Door Assembly (Bourbon Street) (See Figure 1, Item 25)	REF
	603-05888	Top Door Assembly (Lavender Ladies and Silver Sage) (See Figure 1, Item 25)	REF
1	400-06202	. Cover, Top	1
2	200-14971	. Bracket, Mounting	2
	714-02202	. Tape, Foamed	1
3	300-06758	. Molding, Grille	2
4	600-05862	. Trim, Front	1
5	401-06208	. Grille, Front (Monterey)	2
	402-06208	. Grille, Front (Bourbon Street)	2
	403-06208	. Grille, Front (Lavender Ladies and Silver Sage)	2
6	302-06782	. Backing, Grille (Monterey and Bourbon Street)	2
	300-06782	. Backing, Grille (Lavender Ladies and Silver Sage)	2
7	301-06760	. Filler, Grille (Monterey)	2
	302-06760	. Filler, Grille (Bourbon Street)	2
	303-06760	. Filler, Grille (Lavender Ladies and Silver Sage)	2
8	300-06783	. Backing, Filler (Lavender Ladies and Silver Sage)	2
9	400-06213	. Trim, Wrought Iron (Bourbon Street)	2
	200-14964	. Clip, Trim (Bourbon Street)	12
10	300-06759	. Trim, Grille End	2
11	600-05857	. Frame, Top Door	1
12	600-05875	. Trim, Center	1
	200-14704	. Bracket, Mounting	2
	200-14900	. Bracket, Center Trim	2
13	300-06621	. Window, Top Door	1
	218-12946	. Channel, Rubber	2
	220-12946	. Channel, Rubber	2
14	600-05872	. Front, Top Door	1
15	600-05868	. Trim, Wood, Front	1
16	718-01630	. Cylinder, Lock Type	1
17	600-05873	. Trim, Wood, L.H.	1
	600-05874	. Trim, Wood, R.H.	1
18	600-05869	. Bottom, Door Support, L.H.	1
	600-05870	. Bottom, Door Support, R.H.	1
19	600-05074	. Trim, Inner, L.H.	1
	600-05075	. Trim, Inner, R.H.	1
20	401-06225	. Side Plate Assembly, L.H.	1
	401-06226	. Side Plate Assembly, R.H.	1
21	600-05859	. Frame, Grille, L.H.	1
	600-05860	. Frame, Grille, R.H.	1
22	300-06766	. Grille, Side, L.H.	1
	300-06767	. Grille, Side, R.H.	1
23	300-06771	. Backing, Grille	2

Top Door Assembly, Sheet 2

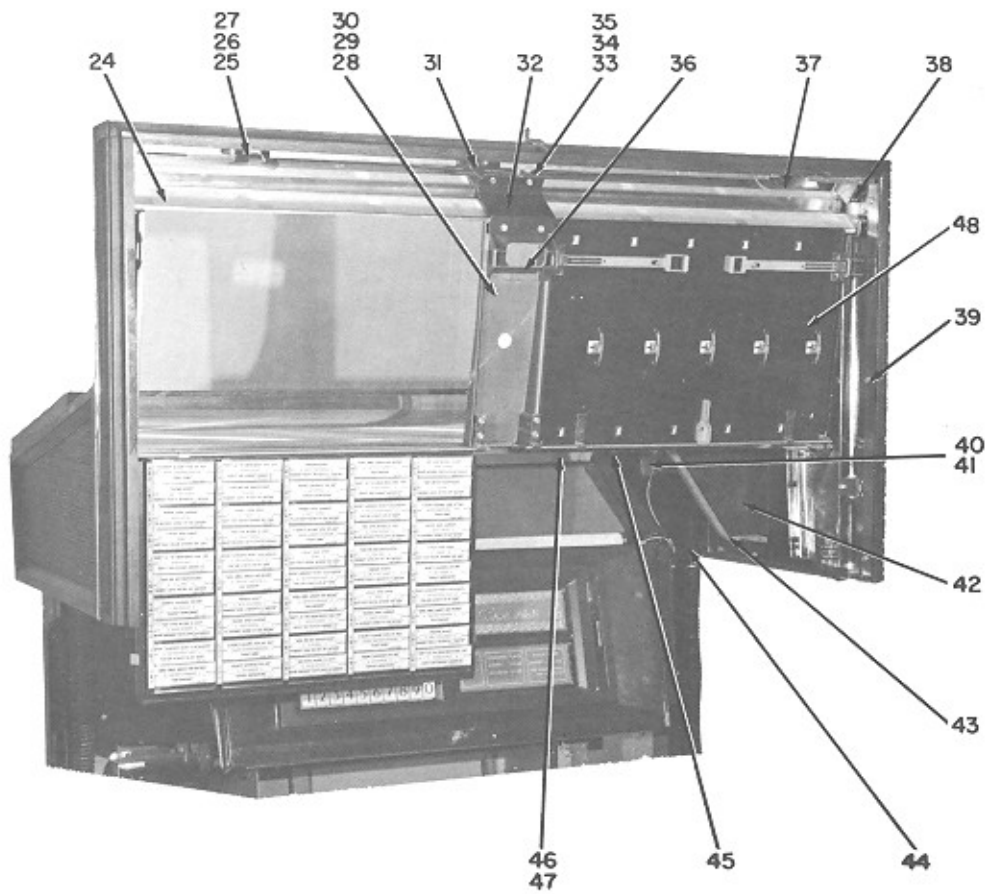


Fig. and Index No.	Rowe Part No.	DESCRIPTION	Qty. Per Ass'y
5-		Top Door Assembly (Continued)	
24	200-14730	. Diffuser	1
25	201-14939	. Lock Bar Assembly, L.H.	1
26	200-14941	. Spring	2
27	202-09225	. Spacer	4
28	200-14733	. Cover, License Card	1
29	200-14732	. Card, License	1
30	200-14703	. Bracket, Hanger	2
31	200-14960	. Guide	1
32	200-14731	. Bracket, Mounting	1
33	201-14228	. Lock Bolt Assembly	1
34	200-14920	. Link, Lock Bar	2
35	703-01430	. Ring, Retaining	2
36	600-05073	. Frame, Record Playing	1
37	201-14940	. Lock Bar Assembly, R.H.	1
38	200-14727	. Bracket, Front Trim	2
39	300-06752	. Support	2
40	300-06788	. Speaker, Tweeter	2
41	201-14957	. Capacitor Assembly, Speaker	2
42	300-06780	. Deflector, Speaker	1
	300-06781	. Deflector, Speaker	1
43	719-02202	. Tape, Foamed	2
44	201-14937	. Hinge Plate and Pin Assembly, L.H.	1
	201-14938	. Hinge Plate and Pin Assembly, R.H.	1
45	300-06797	. Light Block, L.H.	1
	300-06798	. Light Block, R.H.	1
46	300-06751	. Support, Top	1
47	200-14704	. Bracket, Support	2
	704-02205	. Tape, Foamed	1
48	403-06122	. Title Rack Panel Assembly (See Figure 17)	1
	404-06122	. Title Rack Panel Assembly (See Figure 17)	1

**FIGURE
17**

Title Rack Panel Assembly

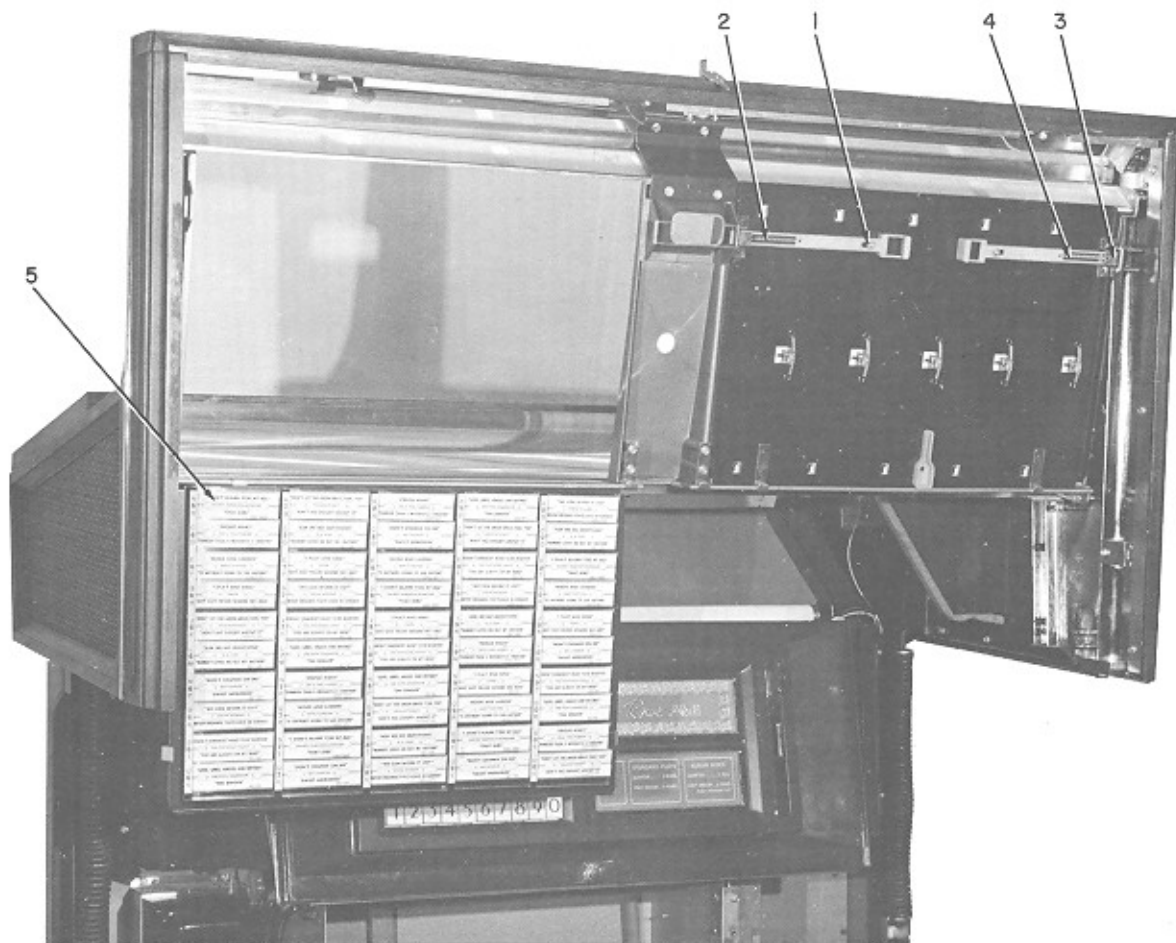


Fig. and Index No.	Rowe Part No.	DESCRIPTION	Qty. Per Ass'y
17-	403-06122	Title Rack Panel Assembly, MM-6 (See Figure 5, Item 1)	REF
	404-06122	Title Rack Panel Assembly, MM-6 (See Figure 5, Item 2)	REF
1	703-01430	. Ring, Retaining	2
2	200-12562	. Spring, Tension	2
3	300-06602	. Latch, Title Rack	2
4	200-12564	. Spring, Tension	5
5	302-06620	. Title Rack Panel and Pin Assembly	1

Harness and Console Assembly

FIGURE
19

Fig. and Index No.	Rowe Part No.	DESCRIPTION	Qty. Per Ass'y
19-	601-05896	Harness and Console Assembly, MM-6 (See Figure 1, Item 29)	REF
	401-06228	. Control Console Assembly	1
	200-08195	. . Bracket, Corner	2
	400-06227	. . Console, Control	1
	200-14942	. Switch	3
	200-14418	. Counter, Electric	1
	200-14068	. Label, Remote Volume Control	1
	200-02649	. Palnut	1
	200-11016	. Knob, Switch Lever	1
	702-08002	. Clamp, Cable	2
	200-14944	. Insulator	6
	601-05895	. Harness Assembly, Phono	1
	203-12444	. . Housing, Socket, 9 Circuit, Female	1
	204-12444	. . Housing, Socket, 12 Circuit, Male	1
	201-12444	. . Housing, Socket, 3 Circuit, Female	1
	202-12444	. . Housing, Socket, 6 Circuit, Female	1
	202-12445	. . Housing, Pin, 6 Circuit, Male	1
	203-12445	. . Housing, Pin, 9 Circuit, Male	2
	205-12445	. . Housing, Pin, 15 Circuit, Male	1
	204-12445	. . Housing, Pin, 12 Circuit, Male	1
	204-13540	. . Housing, Plug, Combo Line, 7 Circuit, Male	1
	201-13541	. . Housing, Cap, Combo Line, 7 Circuit, Male	1
	204-13541	. . Housing, Cap, Combo Line, 7 Circuit, Male	1
	206-11575	. . Connector, Edge	1
	702-00916	. . Terminal, Lug	2
	701-00926	. . Contact, Socket	36
	711-00926	. . Contact, Socket	8
	714-00926	. . Contact, Socket	1
	710-00926	. . Contact, Pin	6
	702-00926	. . Contact, Pin	46
	701-00925	. . Terminal, Flag	16
	702-00925	. . Terminal, Flag	1
	301-06618	. . Plug and Receptacle Assembly	1
	300-06682	. . Plate, Plug Mounting	1
	725-00223	. . Capacitor, Ceramic Disc	2
	701-00213	. . Capacitor, Mylar	1
	702-00350	. . Diode, Silicon	2
	200-11009	. . Switch	1
	711-00913	. . Terminal, Lug	6
	716-00913	. . Terminal, Lug	13
	702-00913	. . Terminal, Lug	1
	708-00913	. . Terminal, Lug	4
	704-00931	. . Clamp, Cable	2
	301-06792	. . Access Door Assembly	1
	705-01503	. . . Stud, Self-Clinching	1
	701-00965	. . . Terminal Block, Pressure	2
	200-13837	. . . Hinge, Door	1
	200-50104	. . . Wing Nut	1
	201-13935	. . . Volume Control and Terminal Assembly	1
	200-02649	. . . Palnut	1
	200-01799	. . . Knob, Volume Control	1
	201-13972	. . . Plug and Switch Assembly	1
	206-12445 Housing, Pin, 2 Circuit, Male	1
	202-13081 Cord and Switch Assembly	1
	200-00490 Washer, Lock	1
	201-13958 Cancel and Terminal Assembly	1
	302-06223 Frame	1
	301-06791 Door, Access	1
	200-12500	. . Switch, Pushbutton	2
	203-14101	. . Cable and Plug Assembly	1

Pre-Amplifier Assembly

Fig. and Index No.	Rowe Part No.	DESCRIPTION	Qty. Per Ass'y
25-	602-03758	Pre-Amplifier Assembly (See Figure 1, Item 33) (See Figure 21, Item 4)	REF
	701-00240	. Capacitor, Mylar, 0.47 MFD, 100V (C1L, C1R)	2
	702-00241	. Capacitor, Mylar, 0.022 MFD, 100V (C2L, C2R)	2
	703-00241	. Capacitor, Mylar, 0.012 MFD, 100V (C3L, C3R)	2
	702-00240	. Capacitor, Mylar, 0.10 MFD, 100V (C4L, C4R, C5L, C5R, C7L, C7R, C13L, C13R, C14L, C14R, C15L, C15R, C16L, C16R, C17L, C17R, C18L, C18R, C27, C29)	20
	702-00233	. Capacitor, Electrolytic, 5 MFD, 25V (C6L, C6R, C23L, C23R, C28)	5
	704-00240	. Capacitor, Mylar, 0.022 MFD, 100V (C8L, C8R)	2
	707-00240	. Capacitor, Mylar, 0.01 MFD, 100V (C9L, C9R, C20L, C20R)	4
	703-00224	. Capacitor, Ceramic Disc, 0.0022 MFD, 100V (C10L, C10R)	2
	702-00224	. Capacitor, Ceramic Disc, 0.001 MFD, 100V (C11L, C11R)	2
	712-00224	. Capacitor, Ceramic Disc, 0.0018 MFD, 500V (C12L, C12R)	2
	716-00240	. Capacitor, Mylar, 0.0047 MFD, 100V (C19L, C19R)	2
	710-00240	. Capacitor, Mylar, 0.033 MFD, 100V (C21L, C21R)	2
	704-00224	. Capacitor, Ceramic Disc, 0.0047 MFD, 100V (C22L, C22R)	2
	702-00251	. Capacitor, Tantalum, 47 MFD, 20V (C24)	1
	702-00250	. Capacitor, Tantalum, 47 MFD, 20V (C24)	ALT
	701-00251	. Capacitor, Tantalum, 33 MFD, 15V (C25)	1
	701-00250	. Capacitor, Tantalum, 33 MFD, 15V (C25)	ALT
	706-00233	. Capacitor, Electrolytic, 100 MFD, 6V (C26)	1
	707-00350	. Diode, Silicon, 1N4148 (D1L through D14)	18
	701-00351	. Diode, Germanium, 1N191 (D15)	1
	705-00300	. Transistor, Silicon, NPN, 2N5088 (Q1L, Q1R, Q2L, Q2R, Q3L, Q3R, Q5L, Q5R, Q7L, Q7R)	10
	701-00300	. Transistor, Silicon, NPN, 2N2923 (Q4L, Q4R)	2
	702-00300	. Transistor, Silicon, NPN, 2N2924 (Q6L, Q6R, Q8L, Q8R, Q11)	5
	703-00300	. Transistor, Silicon, NPN, 2N2925 (Q9L, Q9R, Q10)	3
	718-00106	. Resistor, Carbon, 5.6K, 1/2 W (R1L, R1R)	2
	704-00102	. Resistor, Carbon, 2.2 MEG, 1/2 W (R2L, R2R)	2
	724-00104	. Resistor, Carbon, 27K, 1/2 W (R3L, R3R)	2
	713-00102	. Resistor, Carbon, 10K, 1/2 W (R4L, R4R, R14L, R14R, R51)	5
	716-00106	. Resistor, Carbon, 15K, 1/2 W (R5L, R5R)	2
	708-00121	. Resistor, Carbon, 1.8 MEG, 1/2 W (R6L, R6R)	2
	708-00104	. Resistor, Carbon, 4.7K, 1/2 W (R7L, R7R, R27L, R27R, R32L, R32R, R42L, R42R)	8
	725-00104	. Resistor, Carbon, 3.9K, 1/2 W (R8L, R8R)	2
	703-00104	. Resistor, Carbon, 560 ohms, 1/2 W (R9L, R9R)	2
	703-00106	. Resistor, Carbon, 120K, 1/2 W (R10L, R10R, R50)	3
		. Resistor, Carbon, 1 MEG, 1/2 W (R12L, R12R, R13L, R13R, R15L, R15R, R25L, R25R, R29L, R29R, R30L, R30R, R33L, R33R)	14
	708-00120	. Resistor, Carbon, 47 ohms, 1/2 W (R16L, R16R)	2
	714-00107	. Resistor, Carbon, 12K, 1/2 W (R17L, R17R)	2
	701-00109	. Resistor, Carbon, 200 ohms, 1/2 W (R18L, R18R)	2
	701-00102	. Resistor, Carbon, 47K, 1/2 W (R19L, R19R)	2
	710-00102	. Resistor, Carbon, 2.2K, 1/2 W (R20L, R20R)	2
	708-00106	. Resistor, Carbon, 15K, 1/2 W (R21L, R21R, R58)	3
	711-00106	. Resistor, Carbon, 220 ohms, 1/2 W (R22, R45, R46)	3
	702-00102	. Resistor, Carbon, 150K, 1/2 W (R23L, R23R, 24L, 24R, R36L, R36R)	6
	719-00102	. Resistor, Carbon, 68 ohms, 1/2 W (R26L, R26R, R31L, R31R)	4
	707-00102	. Resistor, Carbon, 220K, 1/2 W (R28L, R28R, R34L, R34R)	4
	704-00107	. Resistor, Carbon, 270K, 1/2 W (R38L, R38R, R44)	3
	707-00106	. Resistor, Carbon, 33K, 1/2 W (R39L, R39R)	2
	705-00400	. Potentiometer, Linear, 10K (R41L, R41R)	2
	718-00104	. Resistor, Carbon, 6.8K, 1/2 W (R41L, R41R) (Used in series with Potentiometer)	2
	712-00102	. Resistor, Carbon, 330K, 1/2 W (R43)	1
	722-00120	. Resistor, Carbon, 43K, 1/2 W (R47, R48)	2
	718-00102	. Resistor, Carbon, 100K, 1/2 W (R49)	1
	200-13023	. Potentiometer, Linear, 200 ohms (R52)	1
	722-00106	. Resistor, Carbon, 390K, 1/2 W (R56)	1
	702-00120	. Resistor, Carbon, 15 ohms, 1/2 W (R57)	1
	708-00102	. Resistor, Carbon, 18K, 1/2 W (R59)	1
	711-00104	. Resistor, Carbon, 22K, 1/2 W (R60)	1
	714-00106	. Resistor, Carbon, 33K, 5%, 1/2 W (R61)	1
	701-00370	. Thermistor, 50K, 0.88 W (R62)	1
	200-13024	. Switch, Rotary	1
	200-13025	. Switch, Rotary	1
	201-14337	. Shielded Cable Assembly	1
	202-14337	. Shielded Cable Assembly	1
	602-03788	. Circuit Board, Pre-Amplifier	1