

PART THREE

PARTS CATALOG

INTRODUCTION	3-1
DESCRIPTION	3-1
ORDERING REPLACEMENT PARTS	3-1
PARTS BREAKDOWN	3-2

FIGURE	TITLE	PAGE
1	R-82 Phonograph Final Assembly	3-2
2	Selector and Speaker Panel Assembly	3-10
3	Top Door Assembly	3-12
4	Front Door Assembly	3-16
5	RecordChanger Mechanism Assembly	3-18
6	Tone Arm Assembly	3-24
7	Turntable Motor and Plate Assembly	3-25
8	Cam Switch and Motor Assembly	3-26
9	Encoder Assembly	3-28
10	Sprag Assembly	3-30
11	64 W Output Transformer Assembly	3-31
12	Main Power Supply Assembly	3-32
13	Shell Assembly	3-34



INTRODUCTION

This parts catalog lists procurable replacement parts for the R-82 phonograph.

The purpose of this parts catalog is to locate and identify replaceable components and to supply ordering information.

DESCRIPTION

The parts catalog is divided into 19 major assemblies called "FIGURES" corresponding to the illustrations used. In some instances major assemblies require more than one illustration to identify the procurable parts. In this case sheet numbers are assigned to the figure, i.e. Figure 1, Sheet 1, Figure 1, Sheet 2.

Parts of riveted or welded units are not listed since repair of these parts is normally impractical in the field, however these parts are available as assemblies.

To be sure that this parts catalog contained the latest information, last minute revisions were made. In these instances the additions were added in sequence with a letter added to the identification numbers both in the parts list and corresponding illustration i.e., 1A, 1B, 1C.

The Parts List contains four columns:

Fig. and Index No. - The first entry in this column lists the figure number of the corresponding illustration. An index number when listed corresponds to the index number appearing on the illustration. Index numbers are not used when:

- Items are listed for reference purposes only.
- The assembly listed has all piece parts indexed below.
- The item listed is an alternate part.
- Two or more assemblies are listed together in one illustration and the same parts are used but in different quantities.

ROWE Part No. - This column lists the part number of the item which should be specified for ordering purposes.

Description - This column contains a brief word description of the assembly or part. Each item is indented to show its proper relationship to the unit of which it is a part or to its next higher assembly.

Qty Per Assy - This column contains the quantity of the part used in the assembly. When a figure covers more than one model of an assembly, the "Qty Per Assy" column is divided to show each model.

ORDERING REPLACEMENT PARTS

All replacement parts must be ordered directly from an authorized ROWE Distributor.

Once the replacement item is determined, complete a standard parts order form available from your ROWE distributor at no charge. Very often parts orders are delayed, because of inadequate or incomplete information. To insure prompt parts delivery always specify the following information:

- Part Number and Description. State color if applicable.
- Quantity required.
- Model and Serial Number of machine for which the repair part is needed.
- Complete shipping address including ZIP code.
- Shipping Instructions must be specified. If the shipping method selected is Parcel Post, Air Parcel Post, United Parcel Service or Air UPS, indicate an alternate shipping method if there is a possibility the packages may exceed the size and weight limits established by these services. If you would like ROWE to select the best way to ship your parts order, specify "BEST WAY". If fastest delivery is the requirement, specify "FASTEST WAY". ROWE will select the carrier for those orders which justify shipment by truck.

FIGURE
1

Phonograph Final Assembly Sheet 1

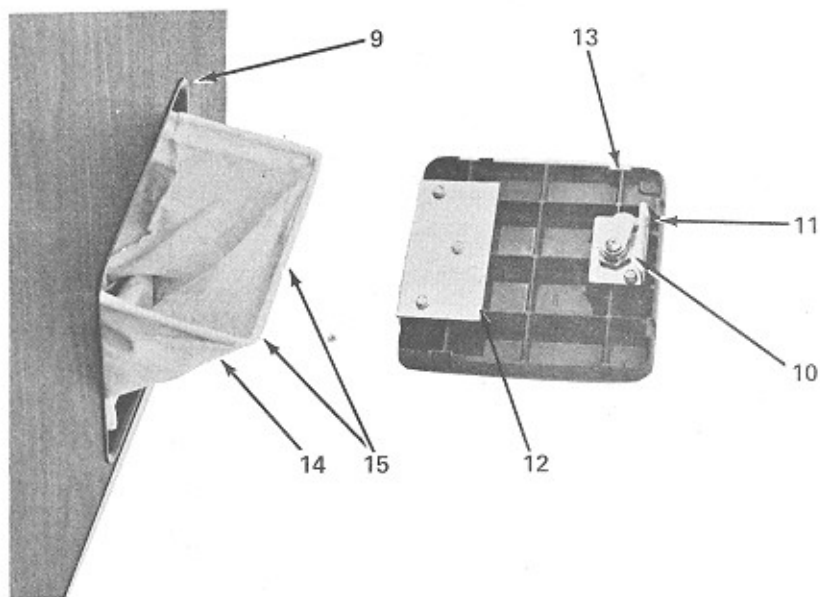
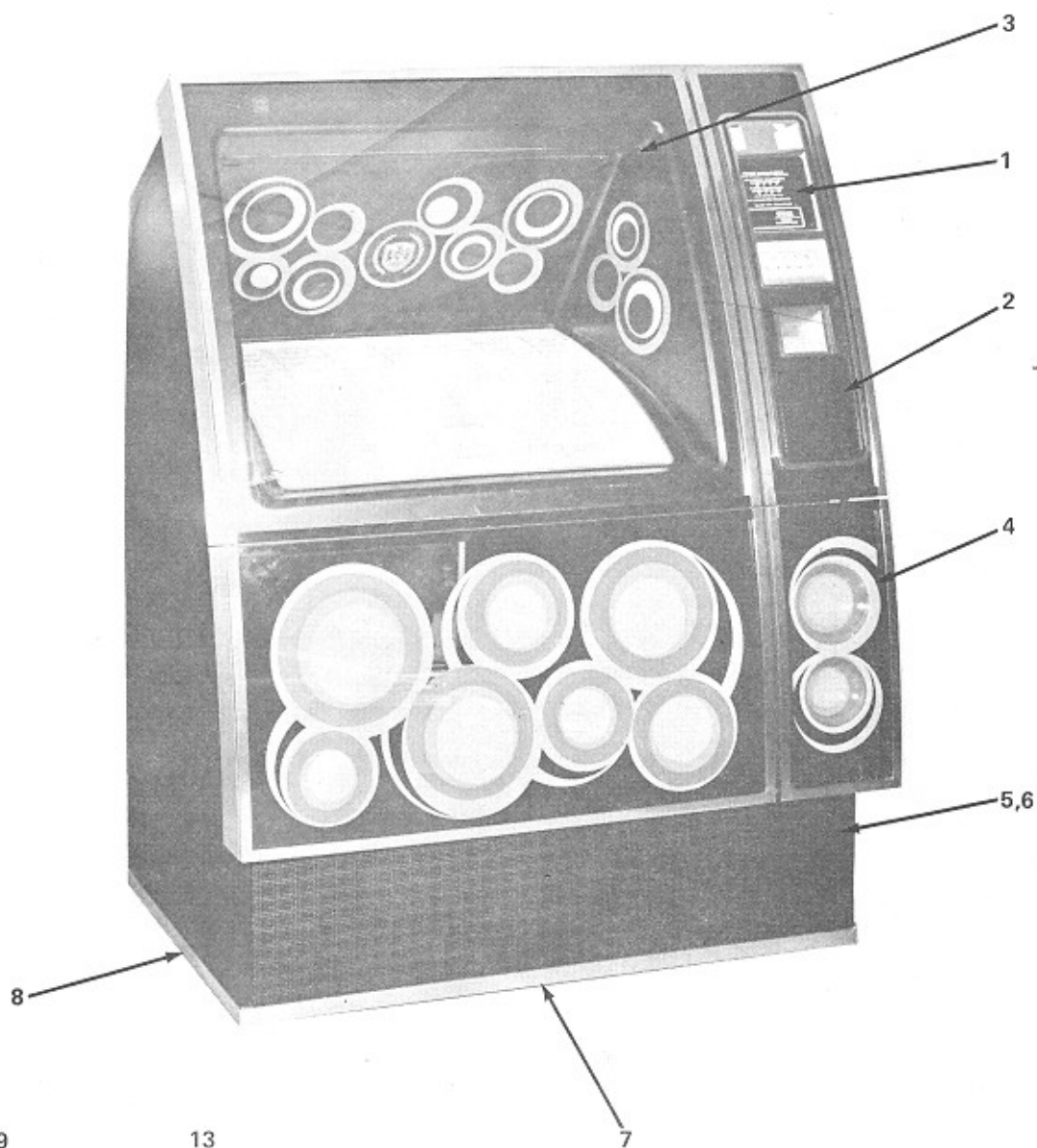


FIG. AND INDEX NO.	ROWE PART NO.	DESCRIPTION	QTY. PER ASSY
1-	601-08500	R-82 Phonograph Final Assembly (Woodhue)	
	602-08500	R-82 Phonograph Final Assembly (Black Magic)	
	210-17305	. Accessories Bag Assembly	1
	708-00720	. . . 3 Amp Fuse (Used on 64W Amplifier)	2
	705-00721	. . . 1 Amp Fuse (Used on Main Power Supply)	1
	722-00721	. . . 3 Amp Fuse (Used on Main Power Supply)	1
	725-00721	. . . 2.5 Amp Fuse (Used on Main Power Supply)	1
	710-00926	. . . Pin Contact	3
	711-00926	. . . Socket Contact	3
	701-00975	. . . Universal Pin Contact	6
	702-00975	. . . Universal Socket Contact	6
	701-00756	. . . Post Contact	6
	712-00910	. . . Spade Terminal Lug	10
1	301-07866	. Universal Price Card	1
	602-07681	. Universal Price Selection Card	1
	301-07810	. Bill Acceptor Blockout (Covers Opening when no B.A. is Used)	1
	201-17921	. Blockout Retainer	1
2	601-08572	. Selector and Speaker Panel Assembly (Woodhue) (See Figure 2)	1
2	602-08572	. Selector and Speaker Panel Assembly (Black Magic) (See Figure 2)	1
3	601-08573	. Top Door Assembly (Woodhue) (See Figure 3)	1
3	602-08573	. Top Door Assembly (Black Magic) (See Figure 3)	1
	707-01330	. Mounting Bolt	2
4	601-08574	. Front Door Assembly (Woodhue) (See Figure 4)	1
4	602-08574	. Front Door Assembly (Black Magic) (See Figure 4)	1
5	401-07114	. Lower Grille (Woodhue)	1
5	402-07114	. Lower Grille (Black Magic)	1
6	202-17820	. Bottom Grille Foam Pad	1
	202-17806	. Acoustical Pad	1
7	401-07115	. Front Base Trim	1
8	301-07825	. Side Base Trim	2
	201-08795	. Retainer Bracket (Mounted on Rear of Phonograph)	2
9	407-05276	. Cash Box Door Frame (Woodhue)	1
9	405-05276	. Cash Box Door Frame (Black Magic)	1
	200-11449	. "U" Type Speedclip	1
	211-11866	. Cash Box Door Assembly (Woodhue)	1
	205-11866	. Cash Box Door Assembly (Black Magic)	1
10	716-01600	. . . Cylinder Lock	1
11	200-06695	. . . Lock Support	1
12	200-07703	. . . Catch Bracket	1
13	618-03267	. . . Cash Box Door (Woodhue)	1
13	605-03267	. . . Cash Box Door (Black Magic)	1
14	301-07026	. Cash Bag	1
15	402-06495	. Cash Bag Support	1

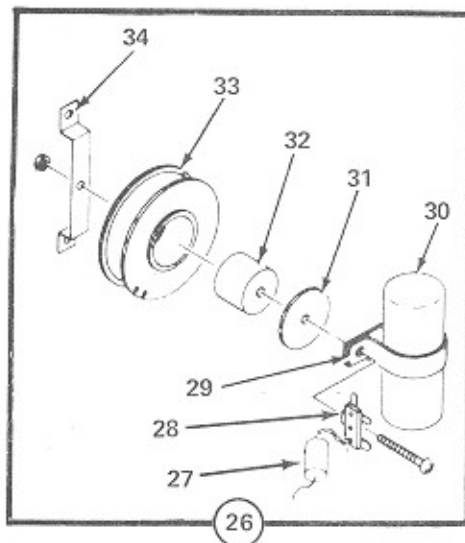
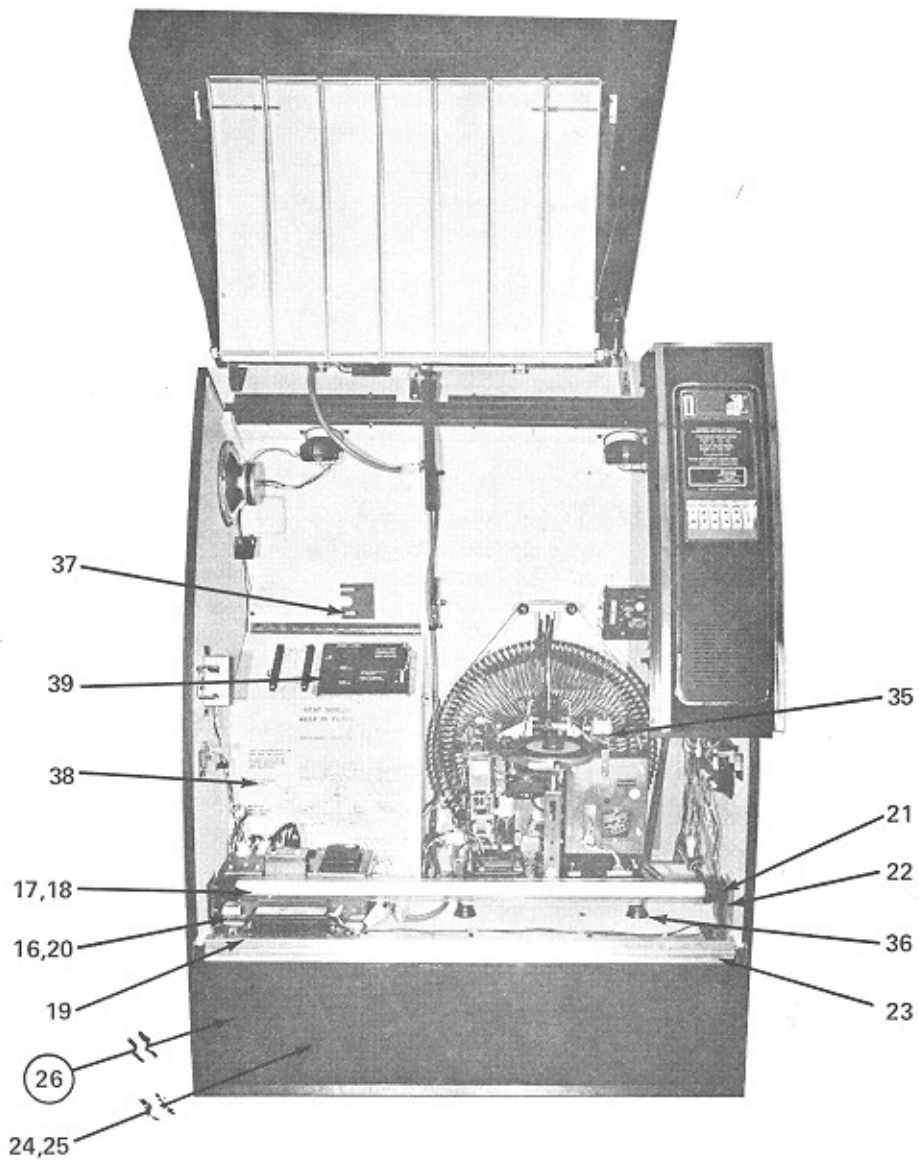


FIG. AND INDEX NO.	ROWE PART NO.	DESCRIPTION	QTY. PER ASSY
1-	601-08500	R-82 Phonograph Final Assembly (Woodhue) (Continued)	
	602-08500	R-82 Phonograph Final Assembly (Black Magic) (Continued)	
16	204-00800	. Fluorescent Starter, FS-4	1
17	212-00601	. Fluorescent Lamp, 36 inches, 30 W, Type T-8	1
18	201-17982	. Fluorescent Lamp Sleeve	1
	401-07135	. Fluorescent Lamp Harness	1
	302-07490	. . 3 Circuit Universal Connector Cap Housing	1
19	201-15693	. . Ballast, 30 W (Universal Mfg. Co. 393B; Robertson Transformer Co. S-30-5/6 P)	1
20	200-00295	. . Starter Socket	1
21	210-15808	. . Fluorescent Lampholder (R.H.)	1
	211-15808	. . Fluorescent Lampholder (L.H.)	1
22	201-17971	. . Lamp Bracket (R.H.)	1
	201-17972	. . Lamp Bracket (L.H.)	1
	703-00931	. Cable Clamp	4
	704-00931	. Cable Clamp	1
23	301-07801	. Front Door Hanger	1
24	401-07144	. Low Frequency Speaker (Behind Grille)	2
25	201-17807	. Speaker Retaining Bracket	8
26	301-07871	. Low Frequency Speaker Network	1
27	723-00113	. . 2 W Wirewound Resistor, 3.9 Ohms	1
28	314-04225	. . Terminal Strip	1
29	712-00931	. . Clamp	1
30	302-07722	. . 17-21 MFD Electrolytic Capacitor, 50V (G.E. Type 35F; Sprague Type 9A)	1
31	704-01200	. . Flat Washer	1
32	710-01211	. . Spacer	1
33	201-17987	. . 6 mH Inductor	1
34	200-09297	. . Bracket	1
35	604-03065	. Record Changer Mechanism Assembly (See Figure 5)	1
36	200-11537	. Lower Spring Support	4
37	201-17593	. Cord Hole Cover	1
38	301-07830	. Amplifier Panel	1
39	401-07139	. Selection Computer (See Schematic, Part 2 for Parts List)	1

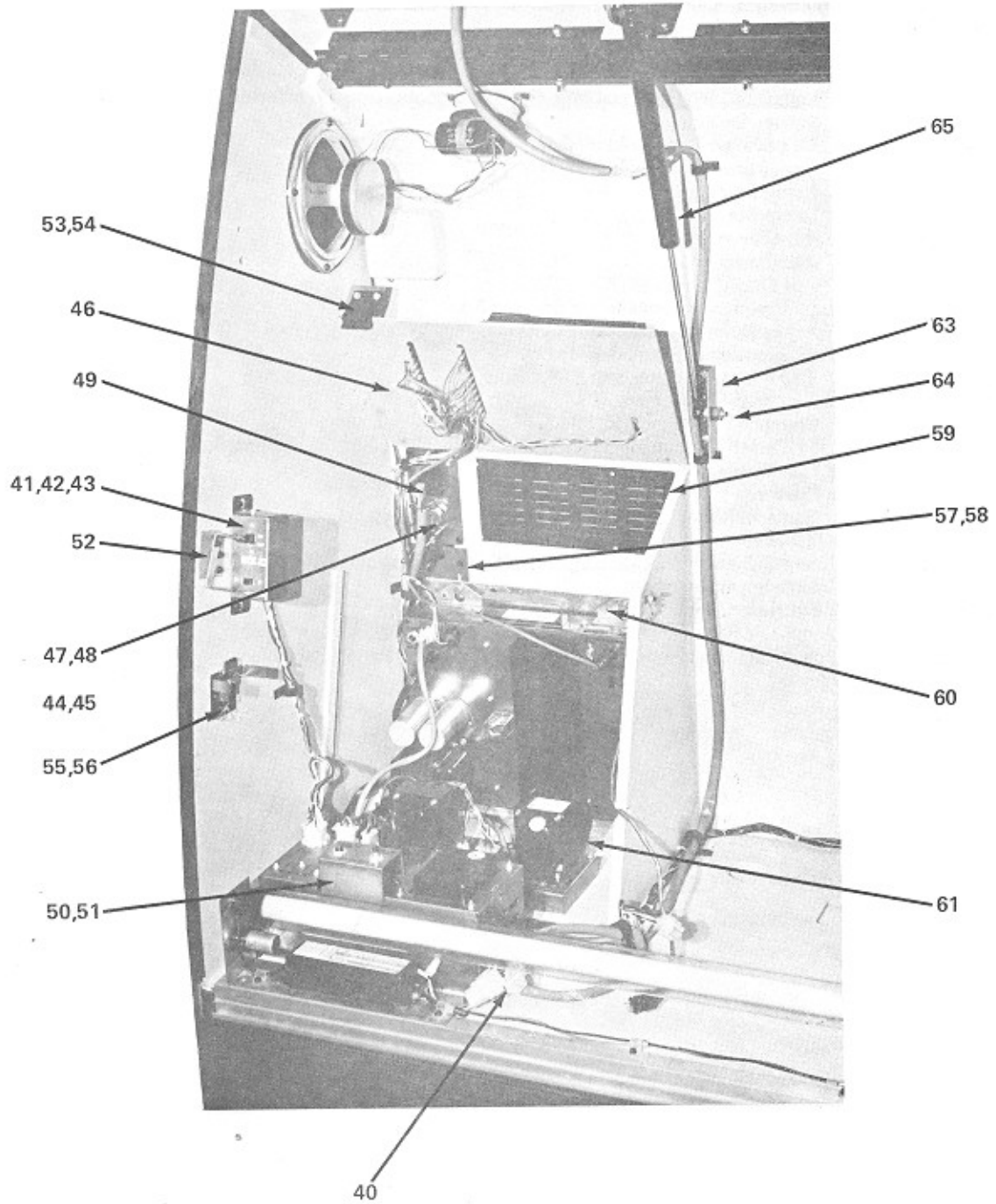


FIG. AND INDEX NO.	ROWE PART NO.	DESCRIPTION	QTY. PER ASSY
1-	601-08500	R-82 Phonograph Final Assembly (Woodhue) (Continued)	
	602-08500	R-82 Phonograph Final Assembly (Black Magic) (Continued)	
	701-00934	. Cable Clamp	9
	702-00934	. Cable Clamp	6
	702-00931	. Cable Clamp	2
	601-08575	. 110V Harness Assembly	1
40	302-07491	. . 3 Circuit Universal Connector Plug Housing (To Power Supply, Mechanism, Upper and Lower Lamos)	4
	601-08571	. Harness and Console Assembly	1
41	301-07615	. . Switch Housing Assembly	1
42	201-17731	. . Insulator	2
43	703-00931	. . Cable Clamp	1
	305-07491	. . 9 Circuit Univ. Connector Plug Housing (To Power Supply and to Ext. Speakers)	2
	304-07491	. . 6 Circuit Univ. Connector Plug Housing (To Mechanism)	1
	201-13541	. . 7 Circuit Combo-Line Cap Housing (To Phono Speakers)	1
	204-13541	. . 7 Circuit Combo-Line Cap Housing (To Mute)	1
44	201-17952	. . Control Plate	1
45	201-15818	. . Momentary Contact Pushbutton Switch	1
46	301-07829	. . Amplifier Door Assembly	1
	707-00931	. . Cable Clamp	1
	707-00755	. . 7 Circuit Connector Housing (To Sel. Computer and to Coin Switches)	2
	718-00755	. . 18 Circuit Connector Housing (To Credit Computer)	1
	304-07490	. . 6 Circuit Univ. Connector Socket Housing (To Selector Lights)	1
	709-00755	. . 9 Circuit Connector Housing (To Memory and Sel. Logic)	2
	705-00755	. . 5 Circuit Connector Housing (To Selector Logic)	1
	207-12844	. . 1 Circuit Molex Socket Housing	1
47	207-14101	. Plug and Cable Assembly (To Volume Control)	1
	203-13541	. . 7 Circuit Combo. Line Cap Housing	1
48	202-13935	. Volume Control and Terminal Assembly	1
	200-01799	. Volume Control Knob	1
	200-02649	. Palnut (Mounts Volume Control)	1
49	301-07863	. Plug and Switch Assembly	1
	301-07857	. . S.P.S.T. Rocker Switch (Carling Switch No. TGA0411-TB-B)	1
	301-07491	. . 6 Circuit Univ. Connector Plug Housing	1
50	401-06849	. Main Power Supply (See Figure 12)	1
51	200-09256	. Mounting Bracket	1
52	201-17493	. Reset Actuator Assembly	1
53	201-17518	. Spring Catch	1
54	201-17985	. Spring Catch Mounting Bracket	1
55	201-17127	. L.H. Latch Assembly	1
	201-17128	. R.H. Latch Assembly	1
	704-01430	. . Retaining Ring	1
	200-09285	. . Torsion Spring	1
	201-17133	. . Latch Plate Assembly (L.H.)	1
	201-17134	. . Latch Plate Assembly (R.H.)	1
56	201-17300	. Fall Stop Hook	2
57	201-17951	. Cord Hole Cover	1
58	704-02321	. Strain Relief	1
59	301-07826	. Louver	1
	201-09257	. Tone Arm Cable and Plug	1
60	401-02426	. Amplifier Mounting Bracket Assembly	1
	606-02182	. 64W Stereo Amplifier and Transformer Assembly	1
61	404-06322	. . 64W Output Transformer Assembly (See Figure 11)	1
62	601-02179	. . 64W Stereo Amplifier Assembly	1
	602-03758	. . . Pre-Amplifier Assembly (See Schematic in Part 2 for Parts)	1
	601-02193	. . . 64W Power Amplifier Assembly (See Schematic in Part 2 for Parts)	1
63	201-17966	. Spring Pivot (Rod End)	1
64	201-17976	. Ball Stud	1
65	401-07149	. Pneumatic Spring	1
	707-01330	. Mounting Bolt	2

Phonograph Final Assembly Sheet 4

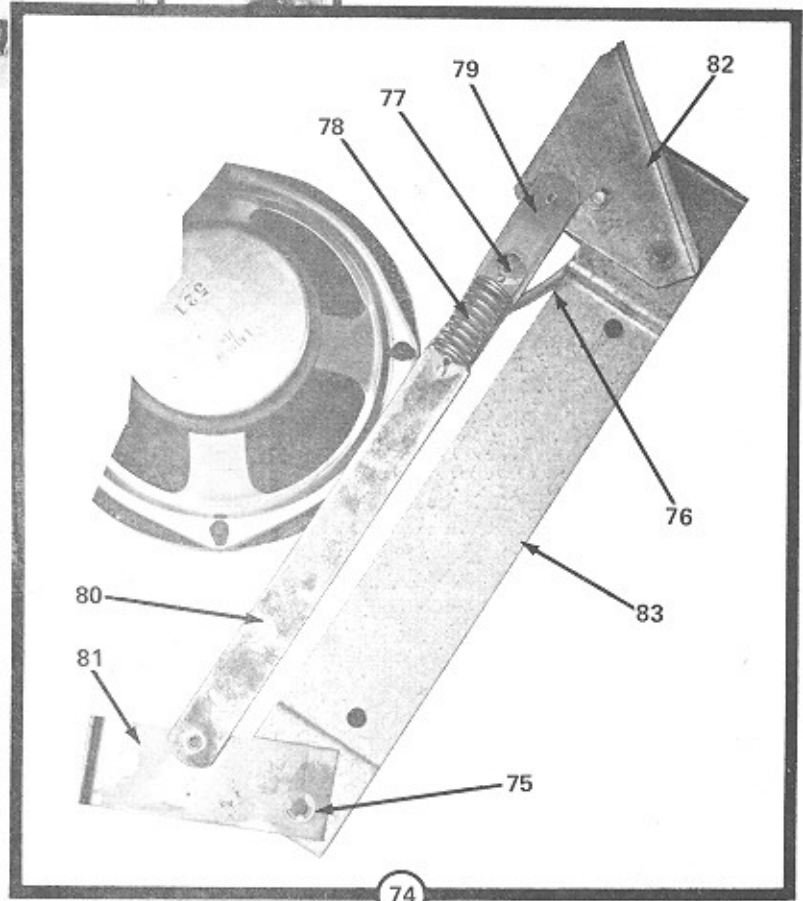
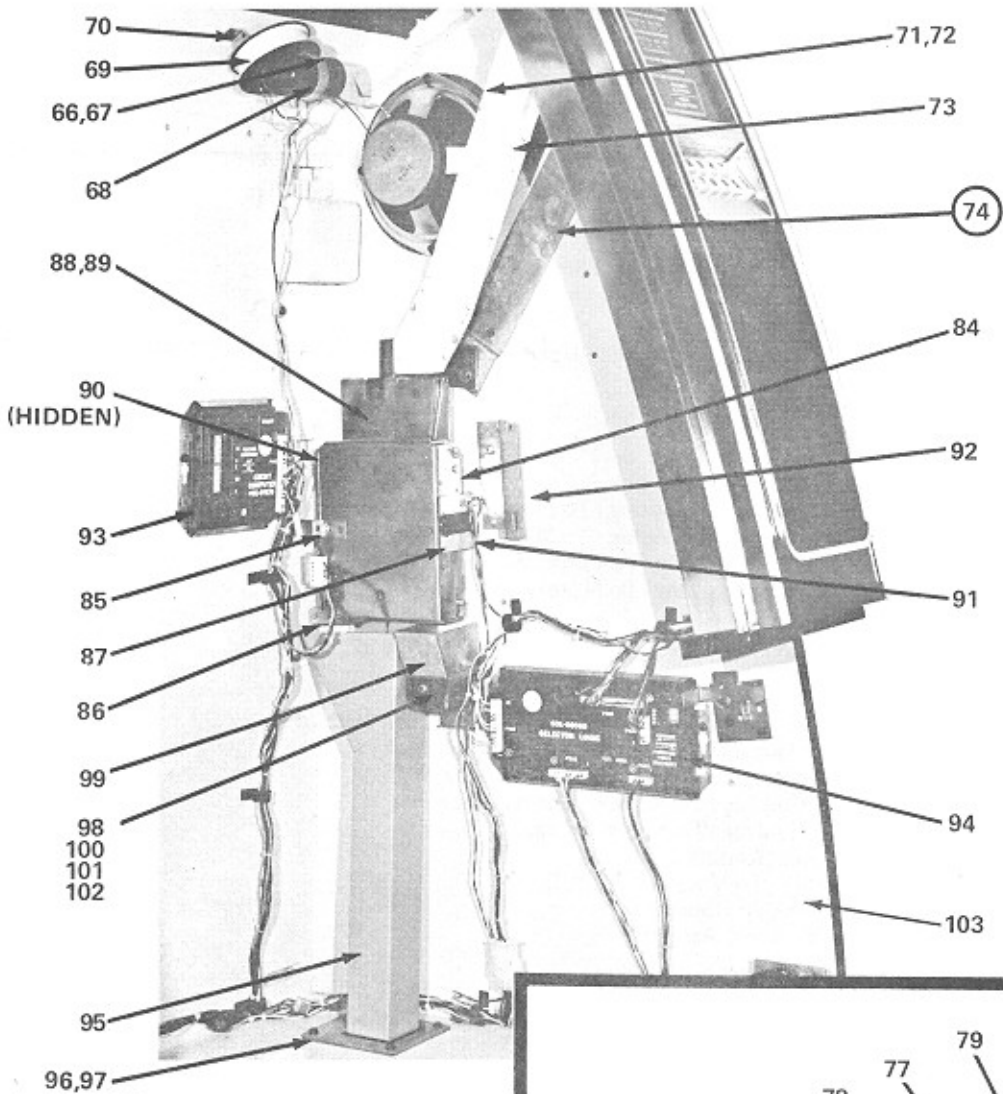


FIG. AND INDEX NO.	ROWE PART NO.	DESCRIPTION	QTY. PER ASSY
1-	601-08500	R-82 Phonograph Final Assembly (Woodhue) (Continued)	
	602-08500	R-82 Phonograph Final Assembly (Black Magic) (Continued)	
	302-07869	. High Frequency Speaker Network Assembly (Right Channel)	1
	301-07869	. High Frequency Speaker Network Assembly (Left Channel)	1
66	314-04225	. . Terminal Strip	1
67	712-00931	. . Clamp	1
68	312-07722	. . 47-56 Electrolytic Capacitor, 50V (G.E. Type 35F; Sprague Type 9A)	1
	704-01200	. . Flat Washer	1
	710-01211	. . Spacer	1
69	200-10586	. . 7 mH Inductor	1
70	200-09297	. . Bracket	1
	206-12845	. . 1 Circuit Molex Pin Housing (Right Channel)	1
	207-12844	. . 1 Circuit Molex Socket Housing (Left Channel)	1
71	301-07820	. Side Grille (Woodhue)	2
71	302-07820	. Side Grille (Black Magic)	2
72	401-07145	. Mid/High Frequency Speaker	2
73	401-07117	. Upper Coin Chute Assembly	1
74	301-07827	. Scavenge Assembly	1
75	704-01430	. . Retaining Ring	4
76	200-12562	. . Spring	1
77	202-09225	. . Spacer	2
78	201-17656	. . Compression Spring	1
79	201-17564	. . Shaft and Pin Assembly	1
80	201-17937	. . Shaft and Pin Assembly	1
81	201-17909	. . Scavenger Actuator	1
82	201-17911	. . Scavenger Lever	1
83	201-17936	. . Bracket and Pin Assembly	1
84	400-05476	. Slug Rejector (5¢, 10¢, 25¢, 50¢)	1
84	401-06961	. Slug Rejector (5¢, 10¢, 25¢)	ALT
84	401-06962	. Slug Rejector, 3 Coin-Plastic	ALT
	404-07038	. Mounting Bracket and Coin Switch Assembly	1
85	201-08795	. . Retainer Bracket	1
86	302-05787	. . Coin Switch Assembly	1
87	201-14314	. . Plate and Pin Assembly	1
88	201-17902	. . Rejector Hinge	1
	200-14114	. . Spacer (Not Used with 400-05476 Rejector)	1
89	401-05793	. . Slug Rejector Mounting Bracket Assembly	1
90	201-17901	. Hinge Support	1
91	201-14295	. Rejector Catch Assembly	1
92	201-17533	. Hinge Support	1
93	601-07674	. Credit Computer (See Schematic in Part 2 for Parts)	1
94	601-08060	. Selector Logic (See Schematic in Part 2 for Parts)	1
95	401-07116	. Lower Coin Chute Assembly	1
96	301-07437	. Coin Chute Collar	1
97	201-17544	. Coin Chute Gasket	1
98	202-13578	. Elastic Stop Nut	1
99	201-17412	. Slug Chute	1
100	201-17929	. Slug Cup Door	1
101	201-17930	. Slug Cup Bracket	2
102	301-07817	. Slug Cup (Woodhue)	1
102	302-07817	. Slug Cup (Black Magic)	1
103	601-08550	. Shell Assembly (Woodhue) (See Figure 13)	1
103	602-08550	. Shell Assembly (Black Magic) (See Figure 13)	1

FIGURE
2

Selector and Speaker Panel Assembly

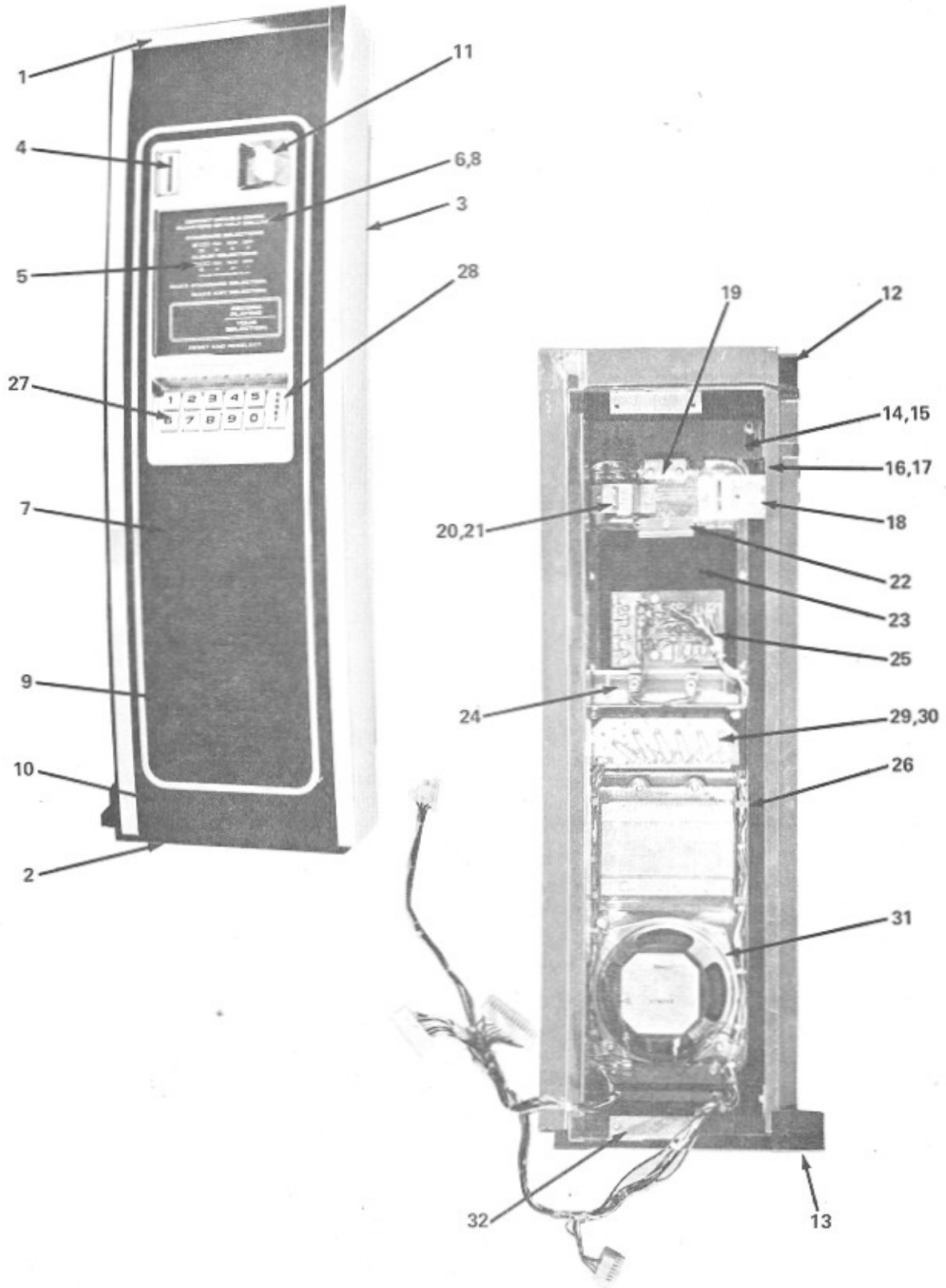


FIG. AND INDEX NO.	ROWE PART NO.	DESCRIPTION	QTY. PER ASSY
2-	601-08572	Selector and Speaker Panel Assembly (Woodhue) (Figure 1, Item 2)	REF
2-	602-08572	Selector and Speaker Panel Assembly (Black Magic) (Figure 1, Item 2)	REF
1	301-07836	. Top Trim and Bracket Assembly	1
2	301-07837	. Trim and Bracket Assembly (Woodhue)	1
2	302-07837	. Trim and Bracket Assembly (Black Magic)	1
3	601-08562	. R. H. Side	1
	601-08561	. L. H. Side	1
4	301-07808	. Coin Inlet	1
5	602-07681	. Universal Price Selection Card (Part of Final Assembly)	REF
6	301-07866	. Universal Price Card (Part of Final Assembly, Figure 1, Item 1)	REF
7	301-07810	. Bill Acceptor Blockout (Part of Final Assembly)	REF
8	201-17928	. Price Card Window (4-15/16" X 5-5/32" X .115/.133" Double Strength "B" Glass)	1
9	601-08579	. Selector Trim and Insert Assembly	1
10	301-07838	. Back Plate and Stud Assembly (Woodhue)	1
10	302-07838	. Back Plate and Stud Assembly (Black Magic)	1
11	201-17933	. Reject Button and Shaft Assembly	1
12	201-17977	. Light Block	1
13	301-07870	. Control Panel Light Block	1
14	201-17920	. Latch	1
15	204-51569	. Shoulder Washer	2
16	200-12562	. Spring	1
17	201-15674	. Spring Retainer	1
18	201-17913	. Coin Chute Mounting Bracket	1
19	201-17918	. Control Panel Catch	1
20	201-17934	. Spring	1
21	201-17915	. Reject Button Bracket	1
22	201-17935	. Holder Retainer	1
23	301-07805	. Price Card Holder	1
24	301-07806	. Diffuser	1
25	401-07130	. Digital Display and Harness Assembly (See Schematic in Part 2 for Parts)	1
26	201-17962	. Wire Retainer Clip	4
	401-07131	. Keyboard Assembly	1
27		. One each of the Following Pushbuttons:	
	301-07431	Pushbutton "1"	
	302-07431	Pushbutton "2"	
	303-07431	Pushbutton "3"	
	304-07431	Pushbutton "4"	
	305-07431	Pushbutton "5"	
	306-07431	Pushbutton "6"	
	307-07431	Pushbutton "7"	
	308-07431	Pushbutton "8"	
	310-07431	Pushbutton "9"	
	311-07431	Pushbutton "0"	
28	301-07432	. "Reset" Pushbutton	1
29	301-07839	. Support Plate Assembly	1
30	601-08580	. Keyboard Printed Circuit Board with the Following Switches:	1
	301-07433	. Keyboard Switch	11
	301-07840	. Keyboard Harness Assembly	1
31	401-07146	. Speaker	1
32	301-07809	. Gusset	1
	201-15726	. Fall Stop Cable (Not Shown)	1
	201-17919	. Control Panel Hinge (Not Shown)	1
	201-17983	. Wire Guide (Not Shown)	1

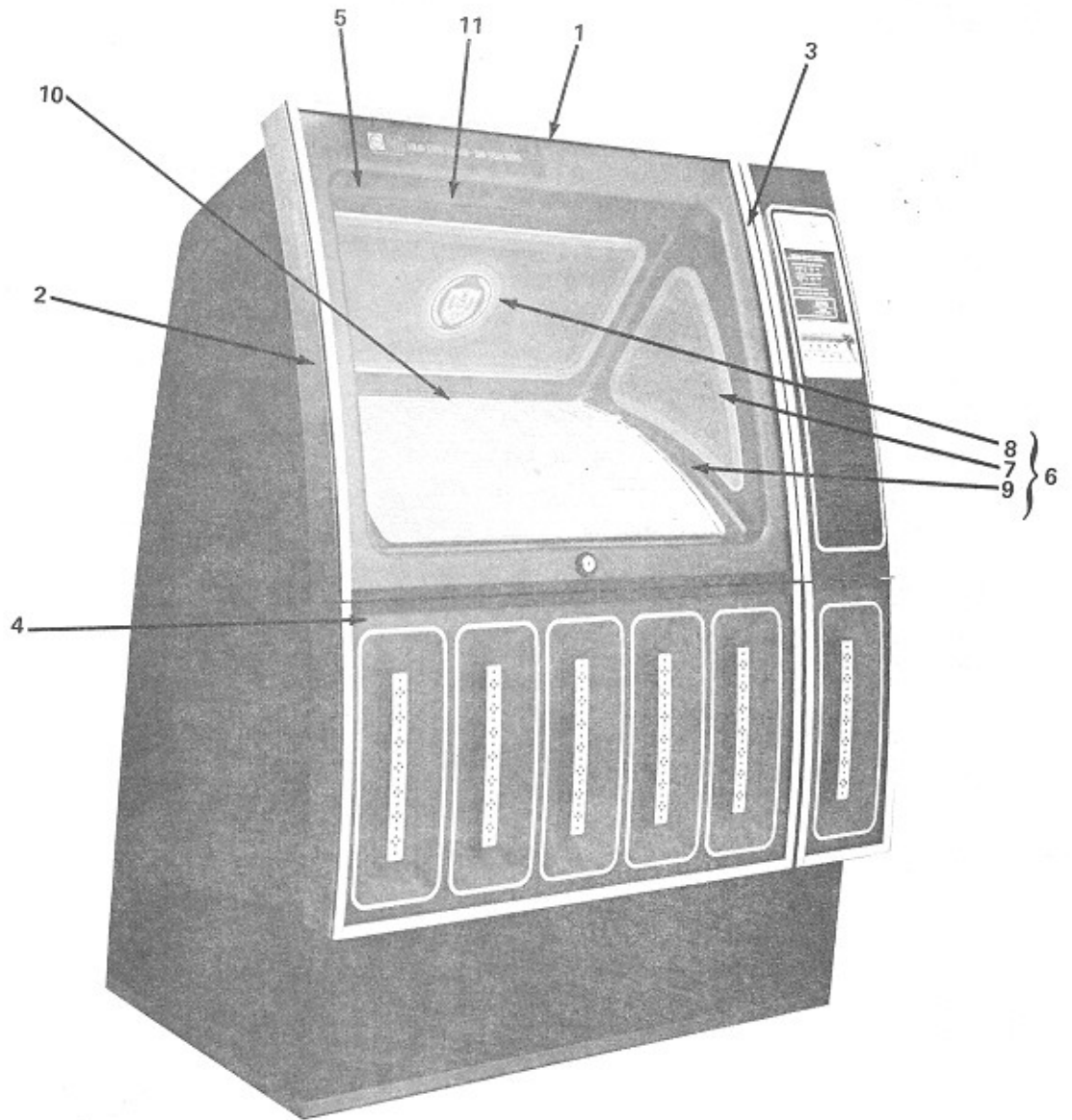
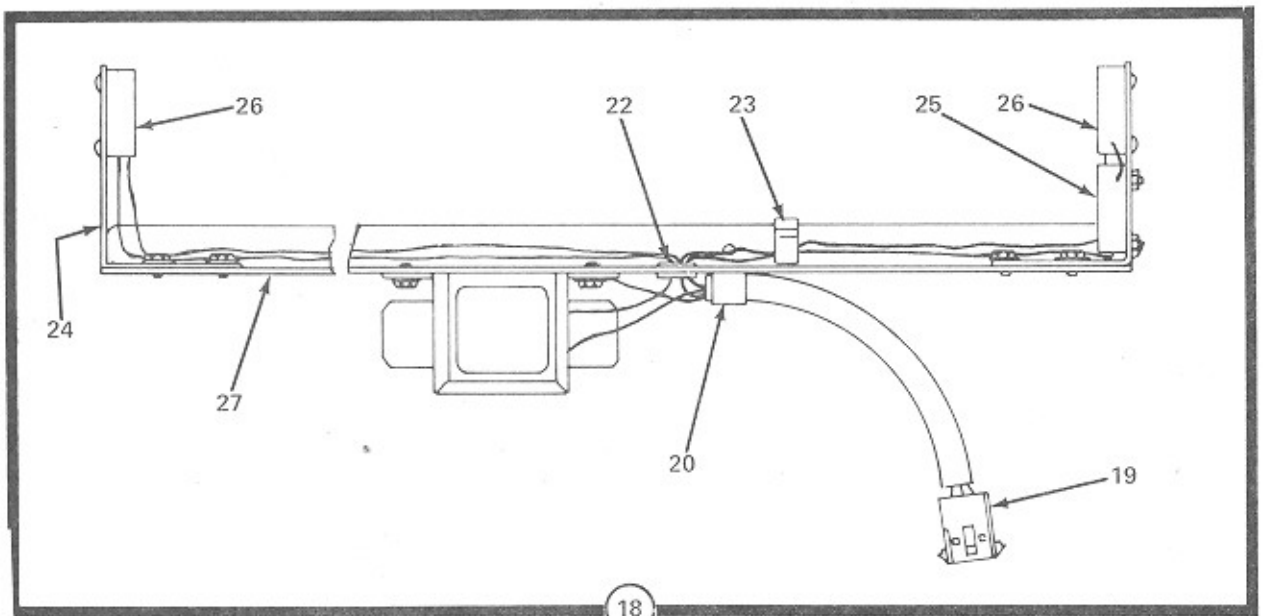
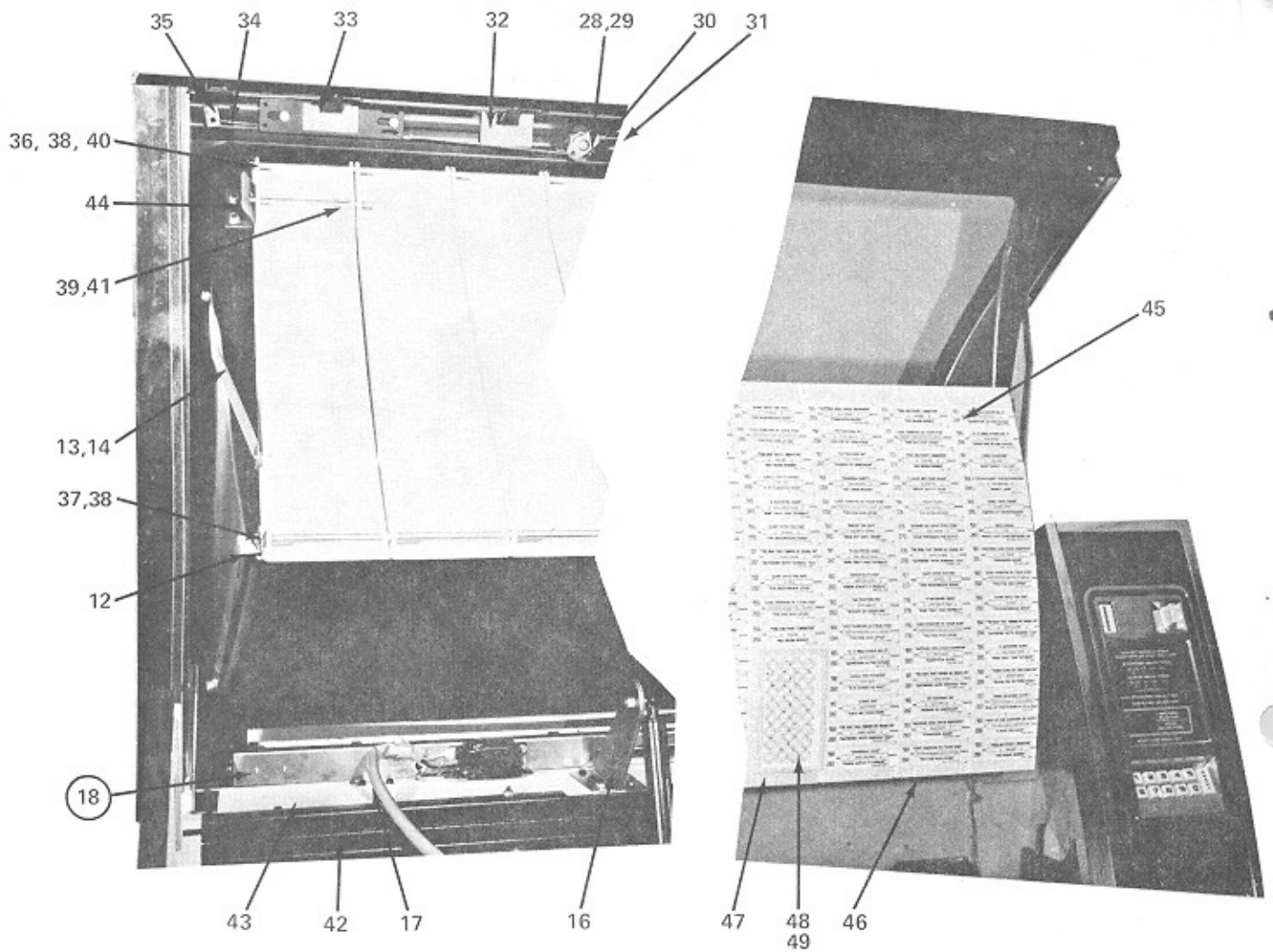


FIG. AND INDEX NO.	ROWE PART NO.	DESCRIPTION	QTY. PER ASSY
3-	601-08573	Top Door Assembly (Woodhue) (Figure 1, Item 3)	REF
3-	602-08573	Top Door Assembly (Black Magic) (Figure 1, Item 3)	REF
1	301-07846	. Upper Trim Assembly	1
2	301-07847	. Left Side Trim Assembly	1
3	601-08556	. Right Side Trim	1
4	301-07848	. Lower Trim Assembly (Woodhue)	1
4	302-07848	. Lower Trim Assembly (Black Magic)	1
5	301-07800	. Top Door Window	1
	720-02204	. Foam Tape	2
	721-02204	. Foam Tape	2
6	301-07850	. Housing and Decal Assembly (Woodhue)	1
6	302-07850	. Housing and Decal Assembly (Black Magic)	1
7	401-07138	. . R.H. Decorative Decal (Woodhue)	1
7	402-07138	. . R.H. Decorative Decal (Black Magic)	1
	401-07137	. . L.H. Decorative Decal (Woodhue)	1
	402-07137	. . L.H. Decorative Decal (Black Magic)	1
8	601-08582	. . Middle Decorative Decal (Woodhue)	1
8	602-08582	. . Middle Decorative Decal (Black Magic)	1
	301-07821	. . Product Identification Panel (Woodhue) (Not Shown)	1
	302-07821	. . Product Identification Panel (Black Magic) (Not Shown)	1
9	601-08553	. . Title Rack Housing (Woodhue)	1
9	602-08553	. . Title Rack Housing (Black Magic)	1
10	401-07110	. Title Rack Frame Trim	1
11	301-07851	. Diffuser (Woodhue)	1
	302-07851	. Diffuser (Black Magic)	1



18

FIG. AND INDEX NO.	ROWE PART NO.	DESCRIPTION	QTY. PER ASSY
3-	601-08573	Top Door Assembly (Woodhue) (Continued)	
3-	602-08573	Top Door Assembly (Black Magic) (Continued)	
12	201-17943	. Link	2
13	201-17942	. Link and Pin Assembly	2
14	211-13578	. Elastic Stop Nut	4
15	201-17969	. Gusset and Plate Assembly (Not Shown)	1
16	401-07147	. Spring Pivot (L.H.)	1
	402-07148	. Spring Pivot (R.H.)	1
17	201-17978	. Lamp Mounting Bracket	2
	707-00601	. Fluorescent Lamp, Type T-8, 26 Inches, 19W	1
	703-00800	. Fluorescent Starter, FS-25	1
18	401-07136	. Lampholder Assembly	1
19	302-07490	. . 3 Circuit	1
20	706-00931	. . Cable Clamp	1
21	200-13203	. . Ballast (Robertson Transformer Co. SP-195/6)	1
22	707-01460	. . Bearing	1
23	200-07545	. . Wire Clip	3
24	201-17970	. . Lamp Bracket	2
25	200-00295	. . Starter Socket	1
26	212-15808	. . Fluorescent Lampholder	1
	214-15808	. . Fluorescent Lampholder	1
27	301-07854	. . Lamp Mounting Plate	1
28	703-01632	. Common Keying Cylinder Lock	1
29	201-17953	. Lock Bezel (Woodhue)	1
29	202-17953	. Lock Bezel (Black Magic)	1
30	200-14256	. Lock Bolt	1
31	201-17249	. Lock Bar Link	2
32	201-17908	. Guide	1
33	201-17940	. L.H. Lock Bar Assembly	1
	201-17941	. R.H. Lock Bar Assembly	1
	202-09225	. Spacer (Not Shown)	4
34	201-12562	. Spring	2
35	201-15674	. Spring Retainer	2
36	201-17944	. Bottom Rod	1
37	201-17945	. Top Rod	1
38	703-01430	. Retaining Ring	5
39	201-17162	. Catch Rod	2
40	201-15689	. Pushnut	2
41	201-17176	. Compression Spring	2
	705-01430	. Retaining Ring	4
42	301-07822	. Top Door Hinge	1
	707-01330	. Mounting Bolt	4
43	401-07150	. Hinge Panel (Woodhue)	1
43	402-07150	. Hinge Panel (Black Magic)	1
44	201-17981	. Title Rack Catch	2
45	301-07852	. Number Strip, 100 to 214	1
	302-07852	. Number Strip, 115 to 229	1
	303-07852	. Number Strip, 130 to 244	1
	304-07852	. Number Strip, 145 to 254	1
	305-07852	. Number Strip, 155 to 269	1
	306-07852	. Number Strip, 170 to 284	1
	307-07852	. Number Strip, 185 to 299	1
46	601-08560	. Title Rack	6
	602-08560	. Title Rack	1
47	301-07841	. License Frame	1
48	201-17946	. License Holder	1
49	201-17947	. License Holder Insert	1
	201-17976	. Ball Stud	1

FIGURE
4

Front Door Assembly

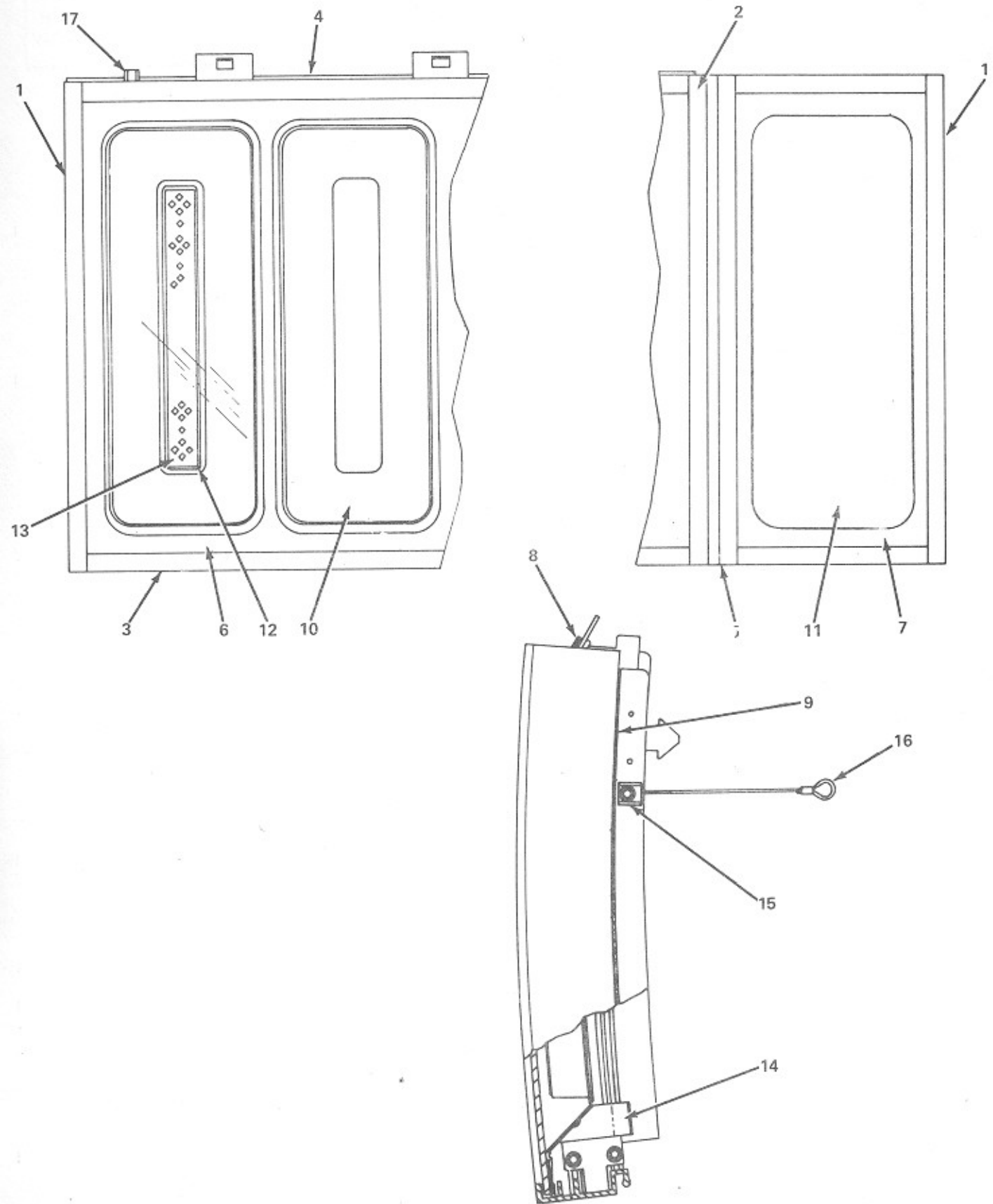


FIG. AND INDEX NO.	ROWE PART NO.	DESCRIPTION	QTY. PER ASSY
4-	601-08574	Front Door (Woodhue) (Figure 1, Item 4)	REF
4-	602-08574	Front Door (Black Magic) (Figure 1, Item 4)	REF
1	301-07842	. L.H. Side Trim Assembly	1
	301-07843	. R.H. Side Trim Assembly	1
2	401-07102	. Middle Trim	1
3	301-07844	. Lower Trim Assembly	1
4	301-07845	. Top Trim Assembly (Used on 601-08574 Door)	1
4	302-07845	. Top Trim Assembly (Used on 602-08574 Door)	1
5	201-17968	. Clamp (Window Retainer)	4
6	301-07802	. Front Door Window (Left) (Used on 601-08574 Door)	1
6	603-08287	. Large Glass and Scene Assembly (Used on 602-08574 Door)	1
7	301-07803	. Front Door Window (Right) (Used on 601-08574 Door)	1
7	604-08287	. Small Glass and Scene Assembly (Used on 602-08574 Door)	1
	207-14301	. Window Channel (Sides)	4
	208-14301	. Window Channel (Bottom and Top - Right Window)	2
	210-14301	. Window Channel (Bottom and Top - Left Window)	2
8	725-02204	. Foam Tape (Top)	1
9	722-02204	. Foam Tape (Sides)	2
10	601-08567	. Large Furniture Frame (601-08574 Door)	1
11	601-08566	. Small Furniture Frame (601-08574 Door)	1
12	401-07108	. Furniture Front Insert (601-08574 Door)	6
13	301-07823	. Decorative Panel, Diamonds (601-08574 Door)	6
14	201-17979	. Clamp	4
15	200-14913	. Door Guide	2
16	201-15726	. Fall Stop Cable	1
17	201-17973	. Light Block	1

Mechanism Assembly Sheet 1

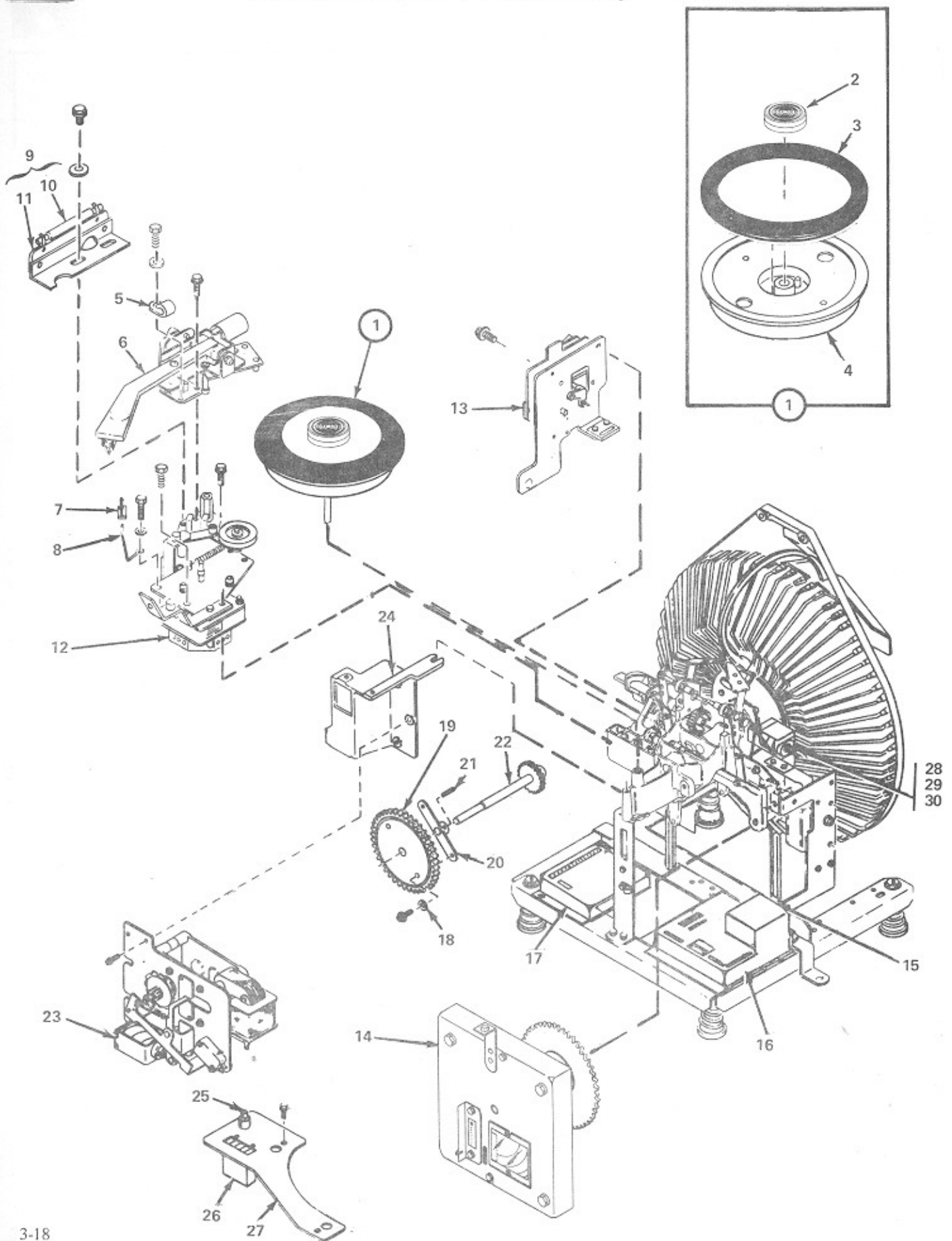


FIG. AND INDEX NO.	ROWE PART NO.	DESCRIPTION	QTY. PER ASSY
5-	604-03065	Record Changer Mechanism Assembly (Figure 1, Item 35)	REF
1	301-05238	. Turntable Assembly	1
2	401-05068	. . Hub	1
3	301-05235	. . Turntable Face	1
4	402-05069	. . Turntable and Shaft Assembly	1
5	701-00931	. . Cable Clamp	1
6	306-05124	. Tone Arm Assembly (See Figure 6)	1
7	200-02182	. Brush	1
8	200-11569	. Brush Clip	1
9	201-10891	. Cutoff Switch Assembly	1
10	200-10726	. . Reed Switch (C.P. Clare Co. No. RP-9250)	1
11	201-10917	. . Terminal Board and Bracket Assembly	1
12	404-05074	. Turntable Motor and Plate Assembly (See Figure 7)	1
13	402-06906	. Cam Switch and Motor Assembly (See Figure 8)	1
14	601-07667	. Encoder Assembly (See Figure 9)	1
15	200-11587	. 1/4-20 Speednut	2
16	301-07855	. Memory Unit (See Phono Schematic in Part 2 for Parts)	1
17	401-06905	. Mechanism Control Unit (See Schematic, Part 2 for Parts)	1
18	704-01222	. External Tooth Lockwasher	2
19	301-05181	. Pinion and Plate Assembly	1
20	200-10826	. Gear Hub	1
21	706-01130	. Roll Pin	2
22	201-11000	. Magazine Drive Shaft Assembly	1
23	405-05022	. Sprag Assembly (Magazine Motor) (See Figure 10)	1
24	400-05019	. Motor Mounting Bracket	1
25	201-15818	. Momentary Contact Pushbutton Switch	1
26	201-17721	. Counter Assembly	1
27	301-05242	. Counter Mounting Plate	1
28	201-17716	. Tip and Plunger Assembly	1
29	206-11505	. Solenoid Assembly	1
30	201-17669	. Solenoid Bracket	1

FIGURE 5

Mechanism Assembly Sheet 2

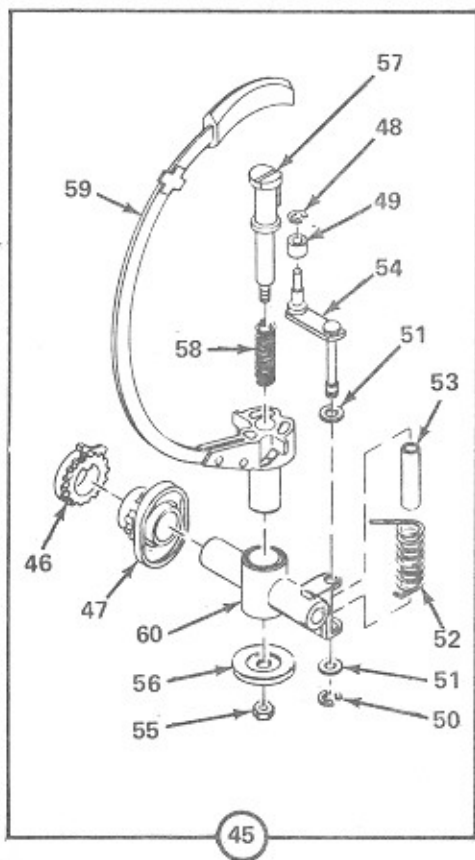
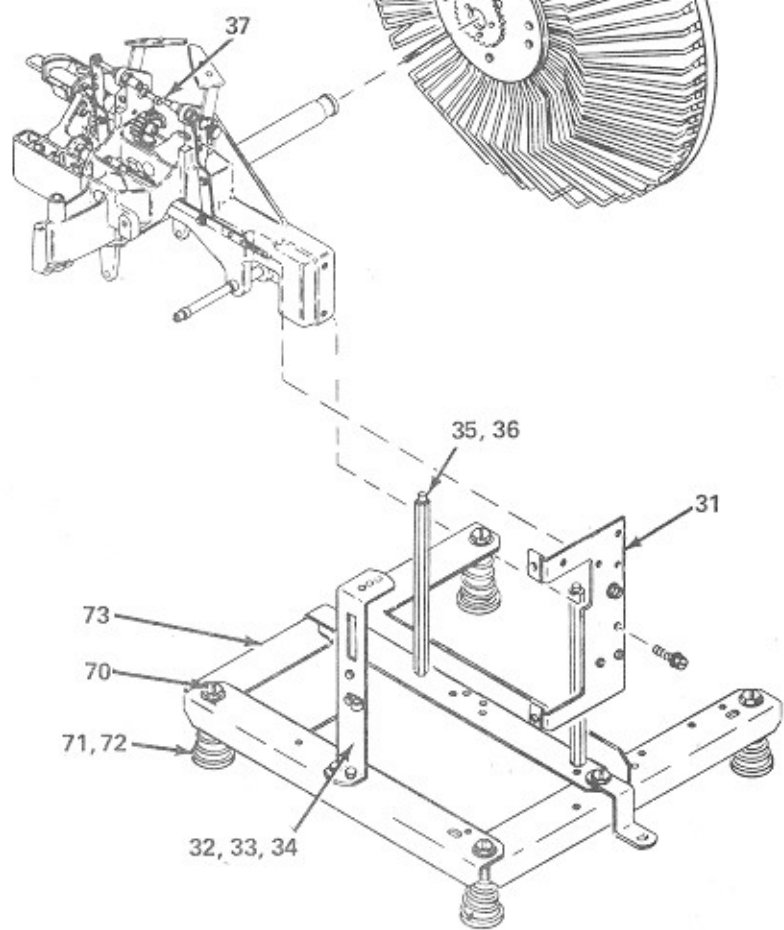
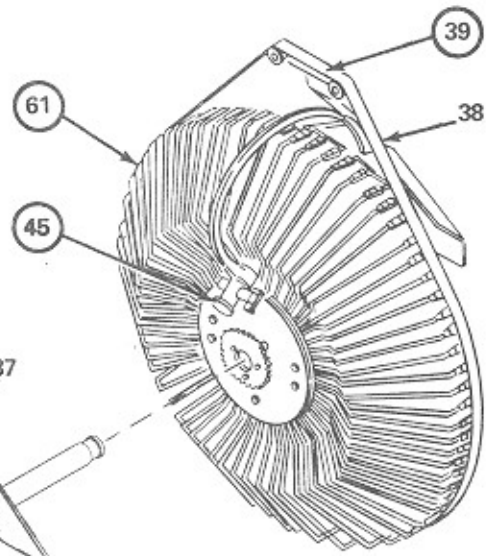
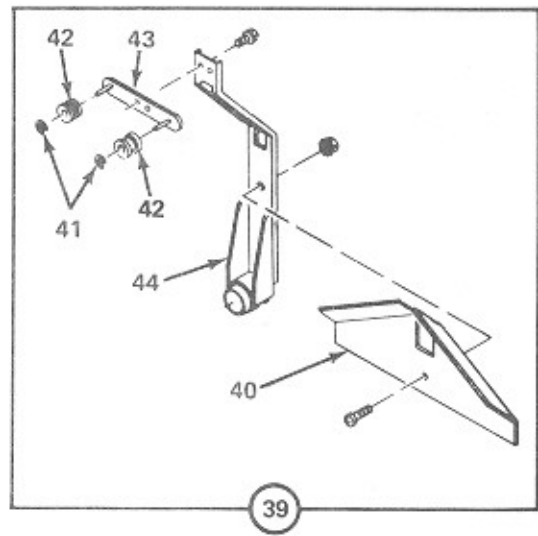
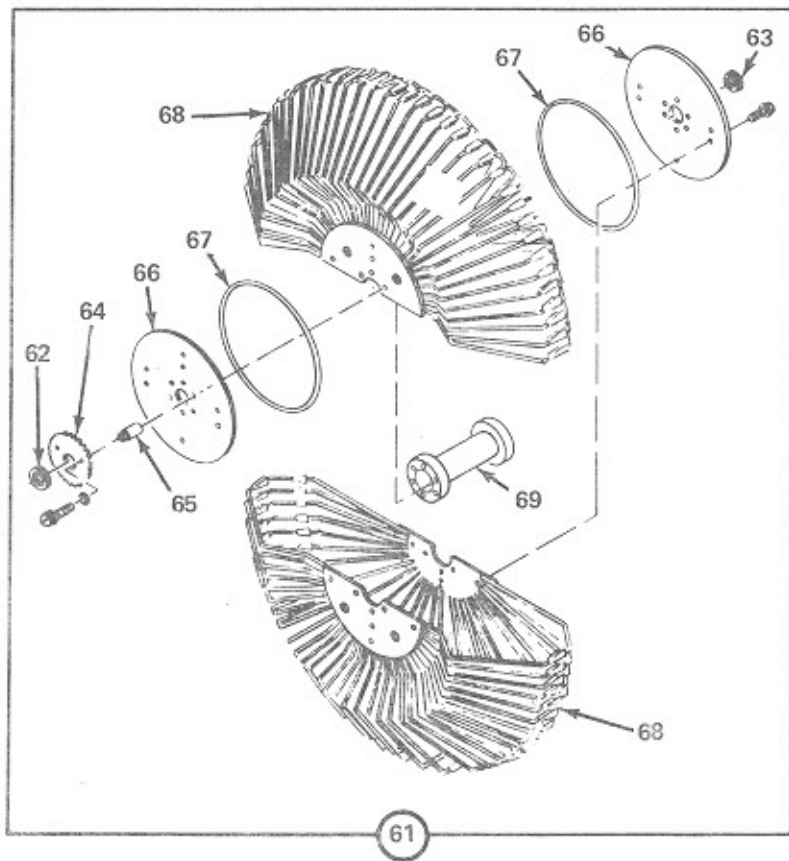


FIG. AND INDEX NO.	ROWE PART NO.	DESCRIPTION	QTY. PER ASSY
5-	601-03065	Mechanism Assembly (Continued)	
31	302-07489	. Encoder Unit Mounting Bracket	1
32	200-07545	. Wire Clip	4
33	200-10864	. Mounting Bracket	1
34	200-11014	. Locknut	2
35	200-10881	. Mechanism Support	2
36	200-11013	. Locknut	2
37	200-10792	. Trunnion Pin	2
38	201-10895	. Belt	1
39	303-05169	. Guide and Belt Support Assembly	1
40	400-05049	. . Record Stop	1
41	703-01430	. . Retaining Ring	2
42	200-03843	. . Roller	2
43	200-10894	. . Roller Bracket Assembly	1
44	301-05147	. . Gripper Bow Assembly	1
45	401-05390	. Gripper Bow and Trunnion Assembly	1
46	300-05122	. . Trunnion Gear	1
47	400-05013	. . Cam Gear	1
48	707-01430	. . Retaining Ring	1
49	200-12537	. . Roller	1
50	703-01430	. . Retaining Ring	1
51	721-01207	. . Flat Washer	2
52	200-12538	. . Torsion Spring	1
53	200-12536	. . Sleeve Bearing	1
54	201-12532	. . Pawl Lever and Shaft Assembly	1
55	210-13578	. . Stop Nut	1
56	201-10815	. . Cam Follower	1
57	201-10808	. . Inner Shoe	1
58	200-10811	. . Record Release Spring	1
59	301-05197	. . Transfer Arm and Hub Assembly	1
60	301-05121	. . Trunnion	1
61	603-03010	. Magazine Assembly	1
62	714-01460	. . Bearing	1
63	701-01460	. . Bearing	1
64	300-05191	. . Gear	1
65	200-11518	. . Spacer	3
66	300-05100	. . Separator Support	2
67	200-10803	. . Cord Ring	2
68	402-05044	. . Separator Assembly	2
69	300-05101	. . Support Spacer	1
	303-06622	. Mechanism Support and Spring Assembly	1
70	200-11539	. . Spring Support Screw Pin	4
71	200-06272	. . Upper Spring Support	4
72	200-06128	. . Mechanism Mounting Spring	4
73	303-05142	. . Mechanism Support Assembly	1

FIGURE
5

Mechanism Assembly Sheet 3

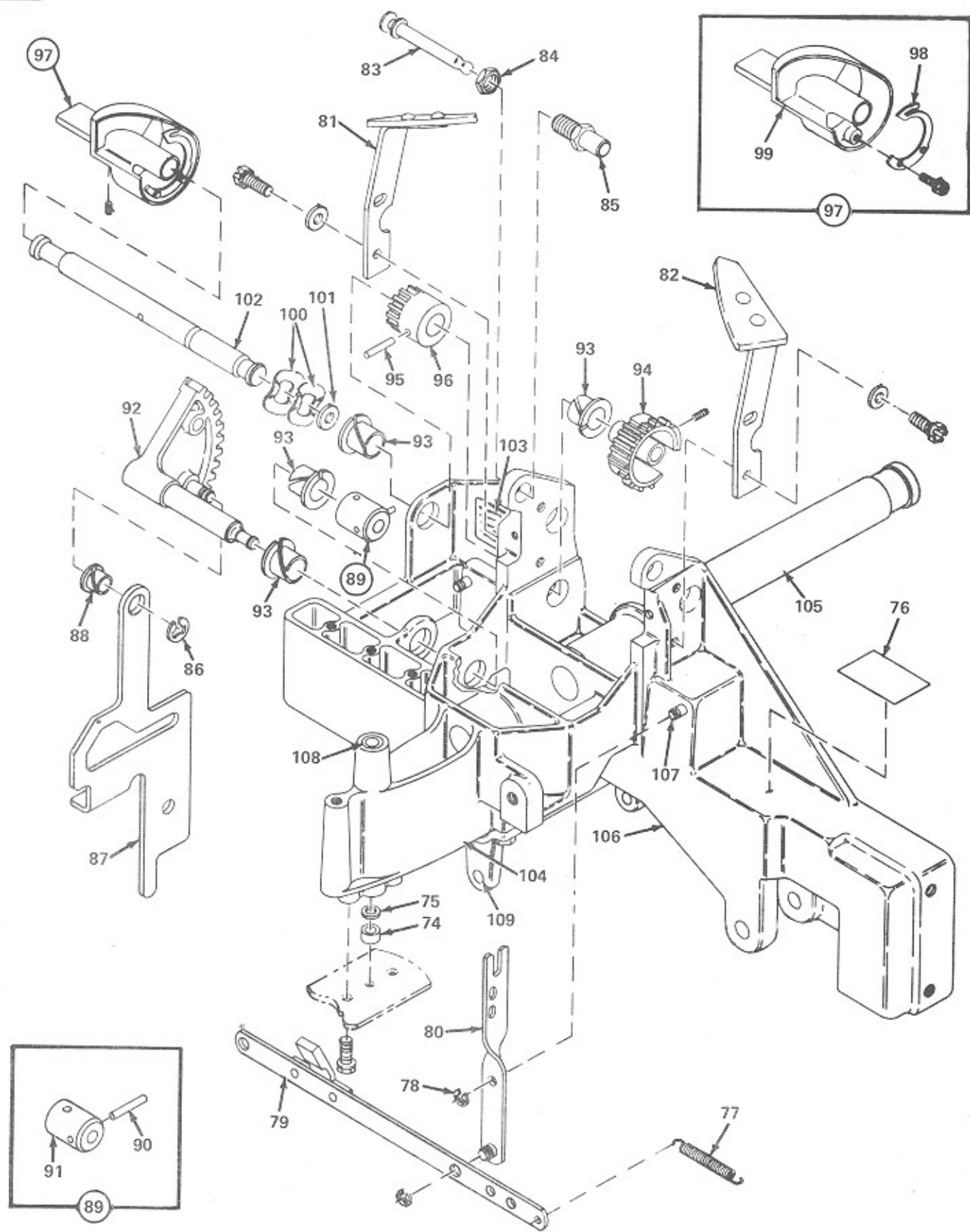


FIG. AND INDEX NO.	ROWE PART NO.	DESCRIPTION	QTY. PER ASSY
5-	601-03065	Mechanism Assembly (Continued)	
74	200-10866	. Spacer Bearing	1
75	200-10364	. Thrust Bearing	1
76	204-11004	. Mechanism Nameplate	1
77	200-10955	. Tension Spring	1
78	703-01430	. Retaining Ring	4
79	201-10823	. Cross Link and Stop Assembly	1
80	201-11517	. Link and Pin Assembly	2
81	201-11520	. Record Guide Assembly (L.H.)	1
82	201-11521	. Record Guide Assembly (R.H.)	1
83	200-11528	. Toggle Pin	2
84	704-01301	. Nut	2
85	200-10817	. Toggle Pin Bushing	2
86	704-01430	. Retaining Ring	1
87	200-10793	. Transfer Link	1
88	704-01460	. Bearing	1
89	201-10809	. Collar and Pin Assembly	
90	720-01101	. . Roll Pin	1
91	200-10799	. . Collar	1
92	201-10800	. Segment Gear and Shaft Assembly	1
93	705-01460	. Bearing	4
94	400-05014	. Trunnion and Cam Drive Gear	1
95	719-01130	. Roll Pin	1
96	200-14175	. Camshaft Gear	1
97	201-10892	. Tone Arm Cam Assembly	1
98	200-10909	. . Spring	1
99	400-05008	. . Cam	1
100	733-01225	. Wave Washer	2
101	725-01208	. Plain Washer	1
102	200-10791	. Trunnion Drive Shaft	1
103	200-12665	. Label	1
104	404-05003	. Base Assembly	1
105	300-05205	. . Shaft Support	1
106	401-05002	. . Base and Shaft Support Assembly	1
107	200-10729	. . Mounting Pin	2
108	200-10377	. . Bearing	2
109	702-01460	. Bearing	2

**FIGURE
6**

Tone Arm Assembly

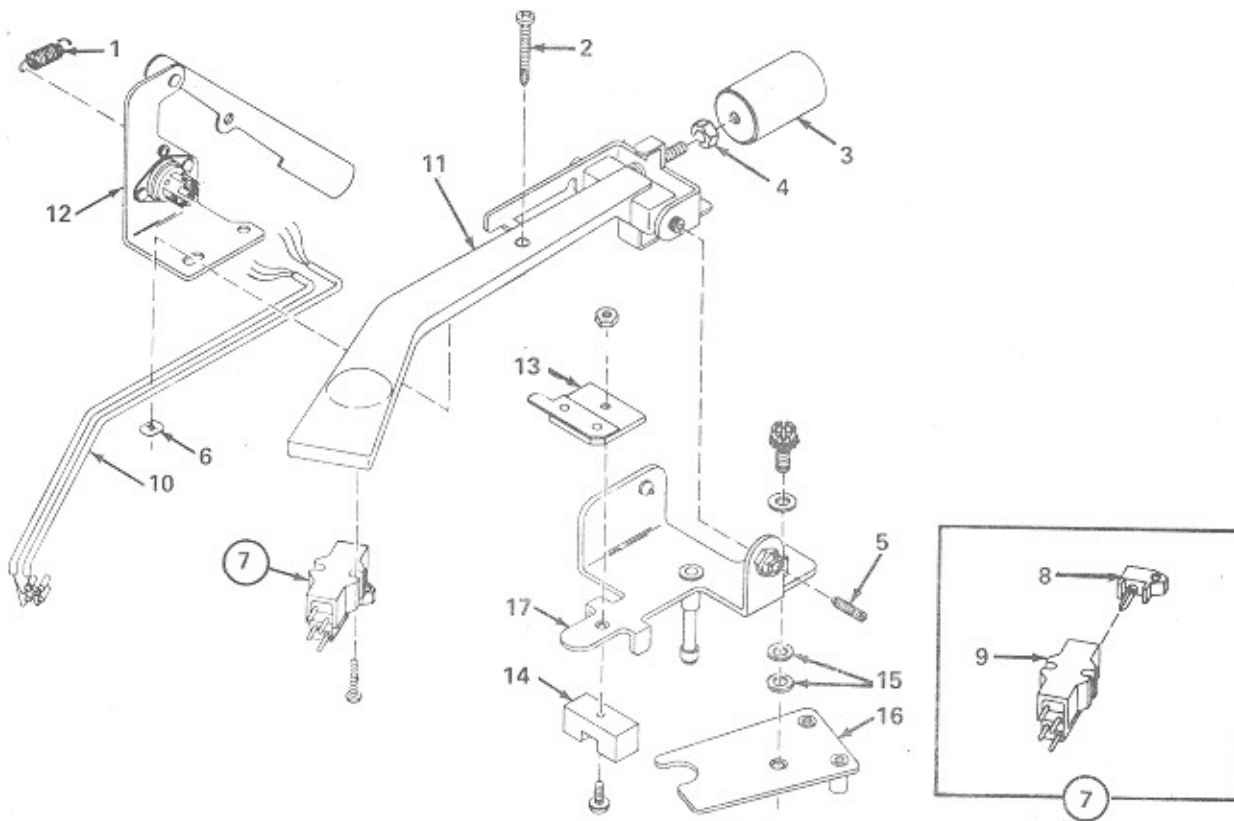


FIG. AND INDEX NO.	ROWE PART NO.	DESCRIPTION	QTY. PER ASSY
6-	306-05124	Tone Arm Assembly (See Figure 5, Item 6)	REF
1	200-03713	. Spring, Tension	1
2	200-65025	. Screw, Contact	1
3	201-11585	. Counterweight	1
4	200-13306	. Nut	1
5	200-10712	. Screw, Pivot	1
6	200-10898	. Nut, Push-On	3
7	200-13011	. Cartridge, Stereo	1
8	200-13031	. Stylus	1
9	200-10873	. Cartridge	1
10	201-10874	. Cable Assembly	2
11	303-05118	. Arm and Lever Assembly	1
12	201-10785	. Bracket and Lever Assembly	1
13	201-65023	. Blade, Contact	1
14	200-10724	. Magnet	1
15	719-01200	. Washer, Flat	AR
16	201-10727	. Cam Plate Assembly	1
17	201-10714	. Bracket and Shaft Assembly	1

Turntable Motor and Plate Assembly

FIGURE
7

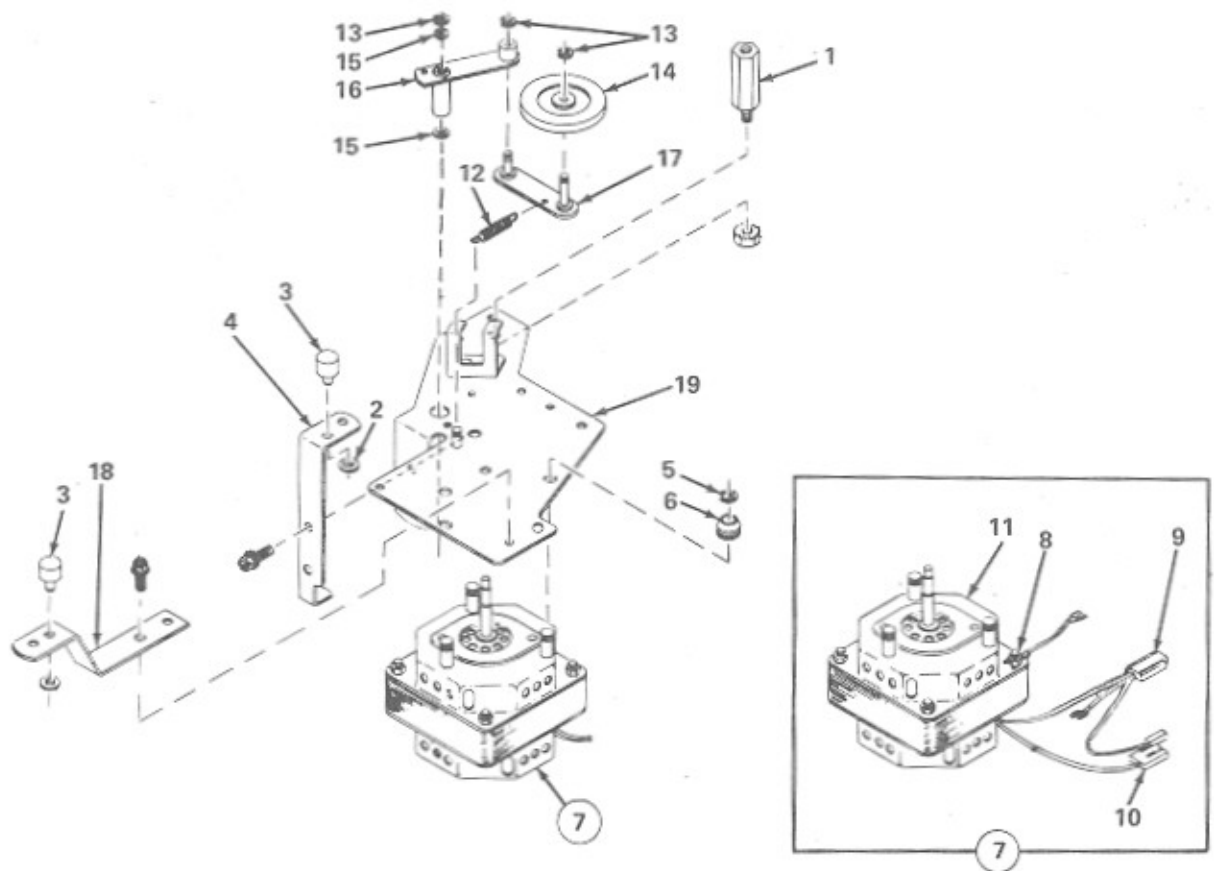


FIG. AND INDEX NO.	ROWE PART NO.	DESCRIPTION	QTY. PER ASSY
7-	404-05074	Turntable Motor and Plate Assembly (Figure 5, Item 12)	REF
1	201-10708	. Tone Arm Bearing	1
2	702-01437	. Retaining Ring	2
3	200-10897	. Gripper Bow Rest	2
4	200-10886	. Gripper Bow Rest Bracket (L.H.)	1
5	712-01430	. Retaining Ring	3
6	200-11501	. Grommet	3
7	302-05240	. Turntable Motor Assembly	1
8	216-12300	. . Wire and Lug Assembly	1
9	302-07490	. . Universal Connector Cap Housing, 3 Circuit	1
10	201-51106	. . Triple Receptacle (Insulated)	1
11	302-05193	. . Turntable Motor	1
12	200-00907	. Tension Spring	1
13	701-01430	. Retaining Ring	3
14	201-10889	. Idler Wheel Assembly	1
15	712-01213	. Washer	2
16	201-11610	. Link and Bushing Assembly	1
17	201-10888	. Link and Pin Assembly	1
18	200-10890	. Gripper Bow Rest Bracket (Front)	1
19	302-05189	. Turntable Motor Mount Assembly	1

Cam Switch and Motor Assembly

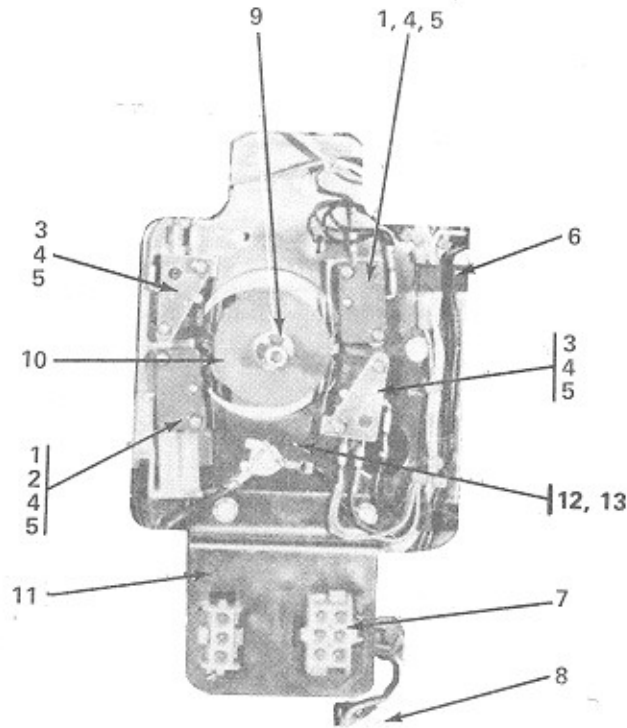
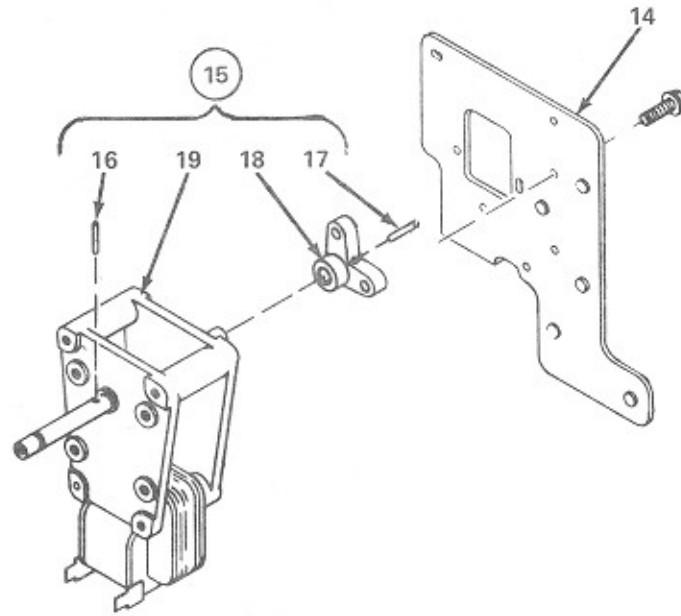


FIG. AND INDEX NO.	ROWE PART NO.	DESCRIPTION	QTY. PER ASSY
8-	402-06906	Cam Switch and Motor Assembly (Figure 5, Item 13)	REF
1	200-10732	. Switch	2
2	200-50548	. Insulator	1
3	200-10731	. Switch	2
4	200-10829	. Switch Actuator	4
5	200 10830	. Twin Nut	4
6	200-07545	. Wire Clip	3
	601-07687	. Mechanism Harness Assembly	1
7	304-07490	. . Universal Connector Cap Housing, 6 Circuit	1
8	718-00755	. . Connector Housing	1
9	704-01430	. Retaining Ring	1
10	300-06636	. Switch Cam	1
11	204-51450	. Housing Mounting Bracket	1
12	300-06628	. Switch Mounting Plate	1
13	300-06627	. Motor Mounting Plate	1
14	204-10833	. Plate and Ratchet Assembly	1
15	201-11598	. Motor and Crank Assembly	1
16	706-01131	. . Roll Pin	1
17	719-01130	. . Roll Pin	1
18	202-10807	. . Crank and Pin Assembly	1
19	401-05059	. . Transfer Motor Assembly	1

Encoder Assembly

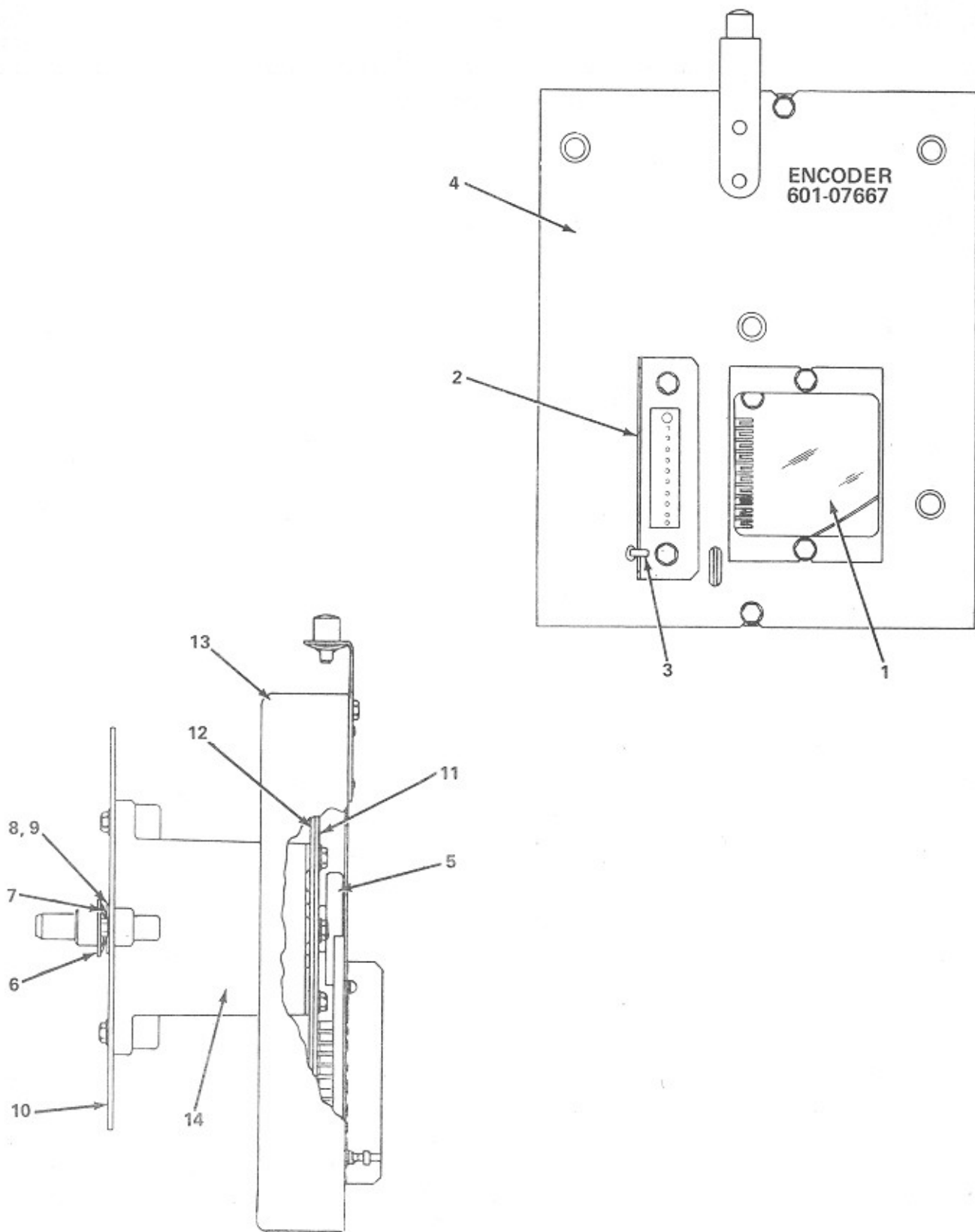


FIG. AND INDEX NO.	ROWE PART NO.	DESCRIPTION	QTY. PER ASSY
9-	601-07667	Encoder Assembly (Figure 5, Item 14)	REF
1	201-17597	. Window	1
2	201-17598	. Cover	1
3	701-08001	. Cable Tie	1
4	401-06879	. Shaft and Base Assembly	1
5	301-07498	. Brush Block Assembly	1
6	706-01430	. Retaining Ring	1
7	741-01225	. Bowed Washer	1
8	710-01209	. Flat Washer	1
9	711-01460	. Bearing	1
10	301-07477	. Selector Gear	1
11	301-07474	. Encoder Wheel	1
12	301-07473	. Disc	1
13	401-06875	. Cover	1
14	301-07610	. Hub Assembly	1

**FIGURE
10**

Sprag Assembly

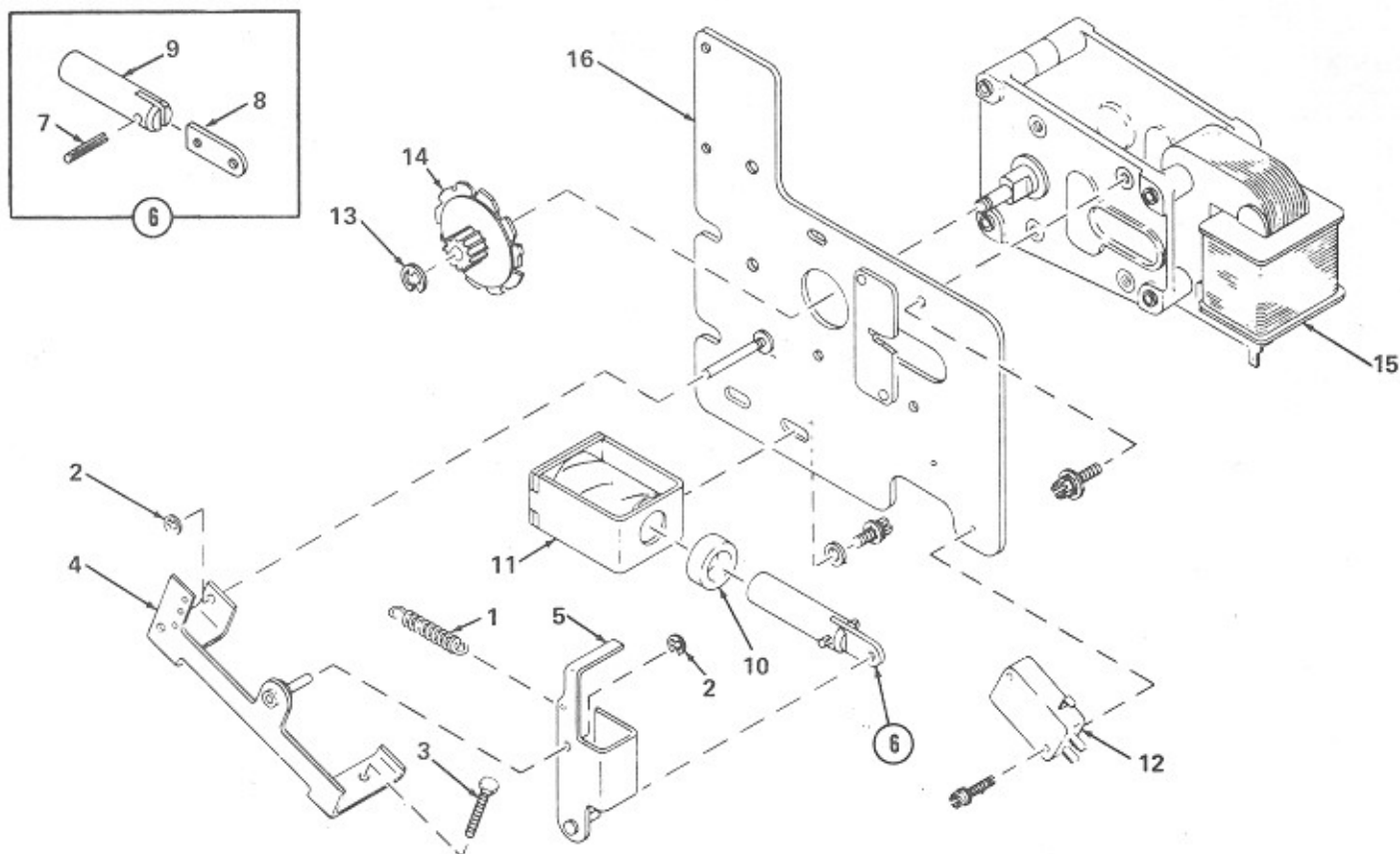


FIG. AND INDEX NO.	ROWE PART NO.	DESCRIPTION	QTY. PER ASSY
10-	405-05022	Sprag Assembly (Figure 5, Item 23)	REF
1	200-10843	. Tension Spring	1
2	705-01430	. Retaining Ring	2
3	200-03822	. Adjusting Screw	1
4	201-10855	. Sprag Link Assembly	1
5	201-10856	. Sprag Lever Assembly	1
6	201-10857	. Plunger Assembly	1
7	703-01130	. . Roll Pin	1
8	200-06226	. . Plunger Link	1
9	200-10848	. . Solenoid Plunger	1
10	200-10849	. Plunger Stop	1
11	206-11505	. Solenoid Assembly	1
12	200-10732	. Switch	1
13	703-01430	. Retaining Ring	1
14	300-05133	. Sprag Wheel	1
15	401-06950	. Magazine Motor	1
16	301-05135	. Sprag Bracket Assembly	1

Output Transformer Assembly

FIGURE
11

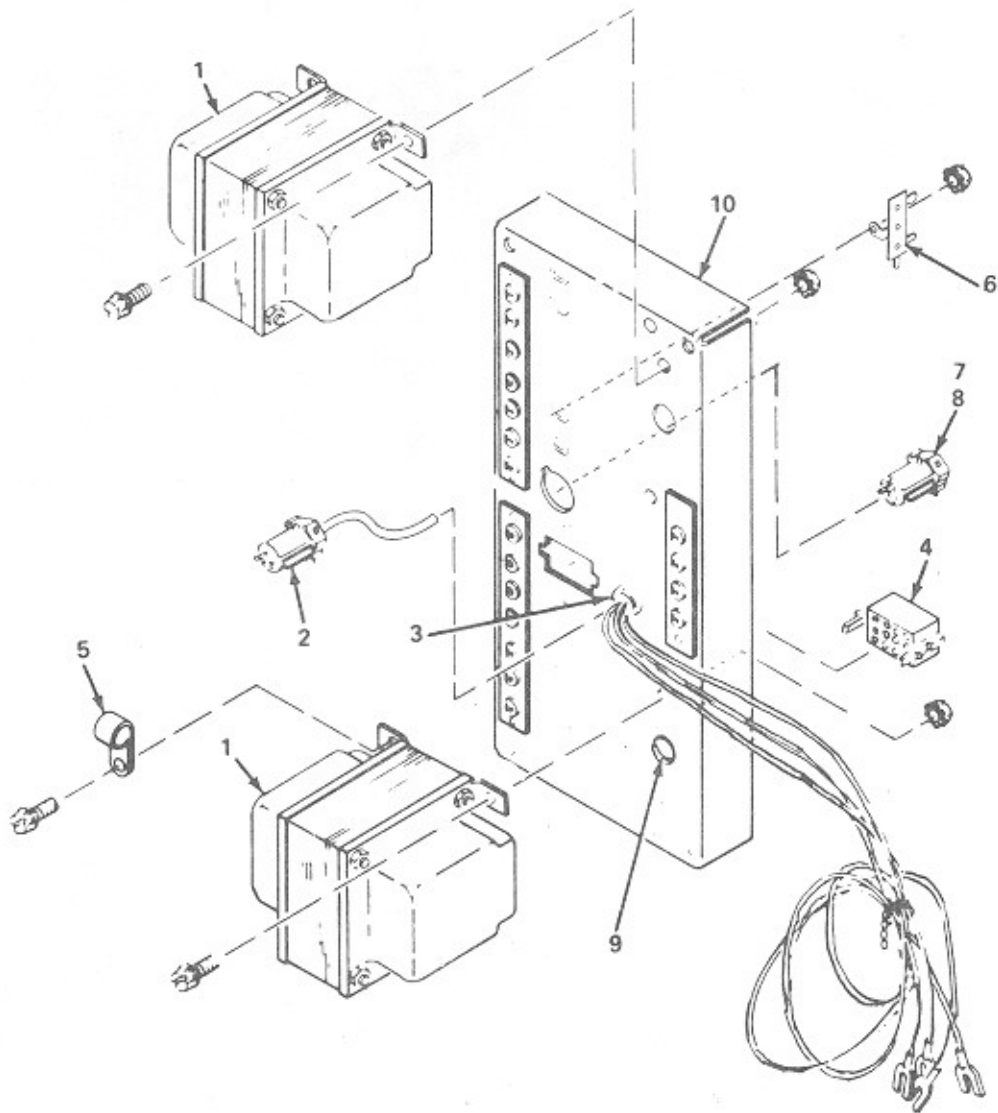


FIG. AND INDEX NO.	ROWE PART NO.	DESCRIPTION	QTY. PER ASSY
11-	404-06322	Output Transformer Assembly (Figure 1, Item 61)	REF
1	401-06522	. Output Transformer	2
	301-06327	. Plug and Cable Assembly	1
2	201-13541	. . 7 Circuit Combo-Line Cap Housing	1
3	701-02331	. Strain Relief	1
	301-07488	. Plug and Cable Assembly	1
4	305-07490	. . 9 Circuit Universal Connector Cap Housing	1
5	704-00931	. Cable Clamp	1
6	314-04225	. Terminal Strip	1
7	201-15373	. Plug and Cable Assembly	1
8	201-13540	. . 7 Circuit Combo-Line Plug Housing	1
9	202-02331	. Strain Relief	2
10	405-05776	. Chassis Assembly with Lettering	1

**FIGURE
12**

Main Power Supply Assembly

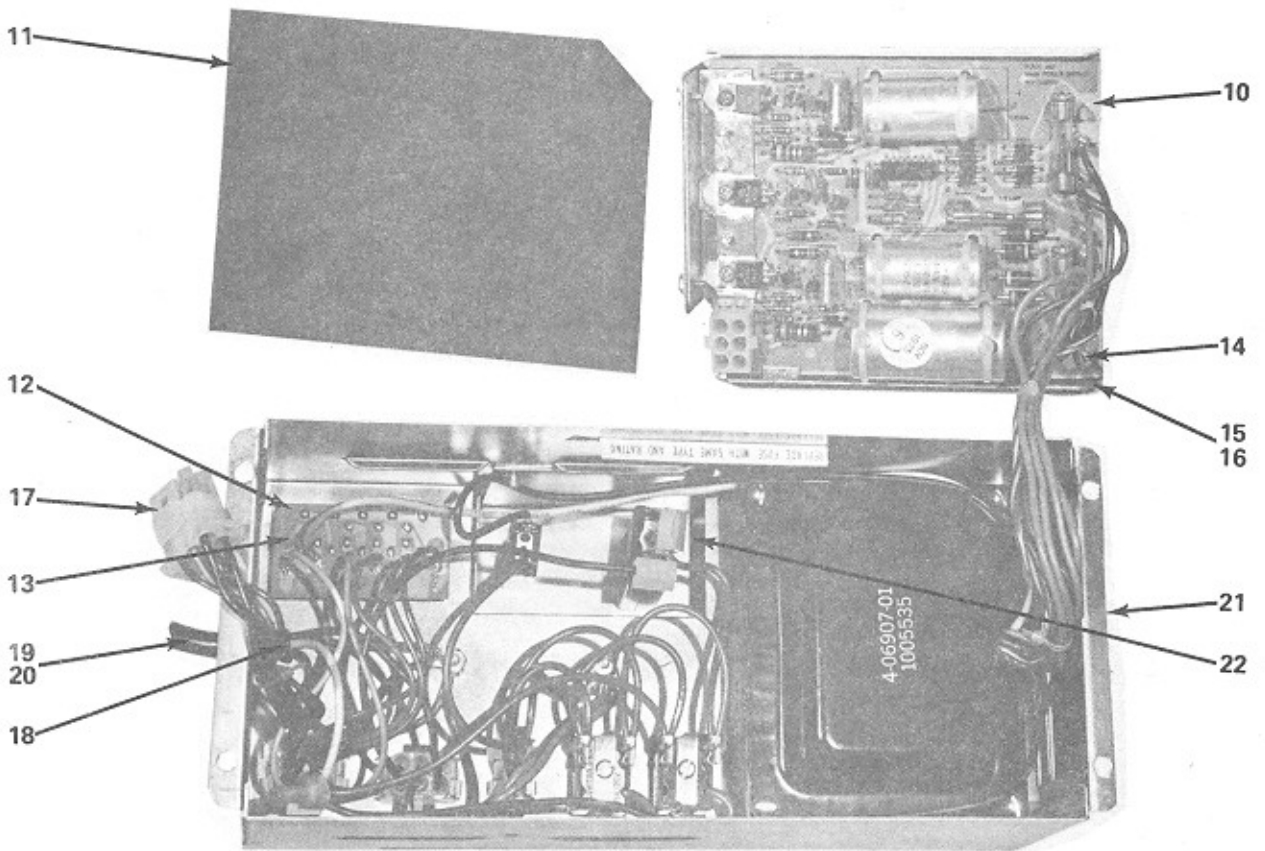
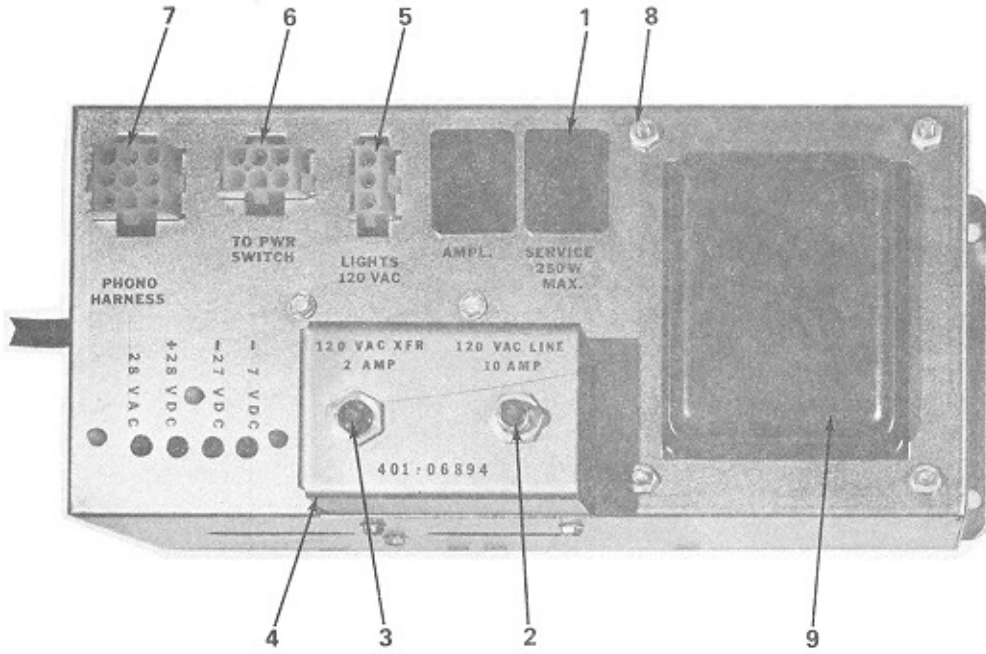


FIG. AND INDEX NO.	ROWE PART NO.	DESCRIPTION	QTY. PER ASSY
12-	401-06894	Main Power Supply (Figure 1, Item 50)	REF
1	200-13759	. 3 Wire Convenience Outlet	2
2	301-07548	. Circuit Breaker and Bracket Assembly	1
2	725-00734	. . 10 Amp Circuit Breaker	1
3	715-00733	. . 2 Amp Circuit Breaker	1
4	301-07549	. . Bracket with Lettering	1
5	302-07490	. 3 Circuit Universal Connector Cap Housing	1
6	304-07490	. 6 Circuit Universal Connector Cap Housing	1
7	305-07490	. 9 Circuit Universal Connector Cap Housing	1
8	201-17621	. 8/32 Non-Standard Hex Nut	4
9	401-06907	. Main Power Supply Transformer	1
10	401-06850	. Power Supply Circuit Board (See Power Supply Schematic in Part 2 for Parts)	1
11	201-17676	. Power Supply Insulator	1
12	401-06960	. Voltage Indicator (L.E.D.) Circuit Board (See Power Supply Schematic in Part 2 for Parts)	1
13	704-05000	. Circuit Board Support	3
14	706-05000	. Circuit Board Support	2
15	200-13778	. Molded Bumper	1
16	301-07546	. Support Plate	1
	201-17760	. "U" Type Speed Clip Fastener	1
17	304-07491	. 6 Circuit Universal Connector Plug Housing	1
18	704-02321	. Strain Relief	2
19	201-11212	. Cord Plug Assembly	1
20	200-14059	. Cord Hole Cover	1
21	401-06908	. Chassis with Lettering	1
22	200-50393	. Insulator	2

Shell Assembly

FIG. AND INDEX NO.	ROWE PART NO.	DESCRIPTION	QTY. PER ASSY
13-	601-08550	Shell Assembly, Woodhue Style (Figure 1, Item 103)	REF
13-	602-08550	Shell Assembly, Black Magic Style (Figure 1, Item 103)	REF
	201-15372	. Teenut (Mech. Tiedown)	2
	200-17506	. Vent Tube	1
	205-17506	. Vent Tube	1
	701-02402	. Wire Mesh Screen	1
	300-06257	. Hand Hole Cover	2
	401-06001	. Support Bracket Assembly	1
	200-14518	. Lock Spring	1
	301-06340	. Caster and Cup Assembly	4
	301-07819	. Support Rail	1