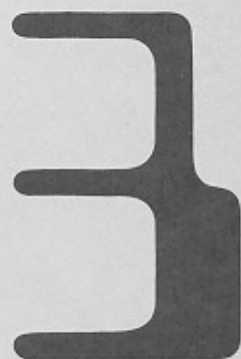


# PART THREE

# PARTS CATALOG

INTRODUCTION	3-1
DESCRIPTION	3-1
ORDERING REPLACEMENT PARTS	3-1
PARTS BREAKDOWN	3-2

FIGURE	TITLE	PAGE
1	R-83 Phonograph Final Assembly	3-2
2	Selector and Speaker Panel Assembly	3-10
3	Top Door Assembly	3-12
4	Front Door Assembly	3-16
5	RecordChanger Mechanism Assembly	3-18
6	Tone Arm Assembly	3-24
7	Turntable Motor and Plate Assembly	3-25
8	Cam Switch and Motor Assembly	3-26
9	Encoder Assembly	3-28
10	Sprag Assembly	3-30
11	125 W Output Transformer Assembly	3-31
11A	Stereo Amplifier Assembly	3-31A
12	Main Power Supply Assembly	3-32
13	Shell Assembly	3-34



## INTRODUCTION

This parts catalog lists procurable replacement parts for the R-83 phonograph.

The purpose of this parts catalog is to locate and identify replaceable components and to supply ordering information.

## DESCRIPTION

The parts catalog is divided into 19 major assemblies called "FIGURES" corresponding to the illustrations used. In some instances major assemblies require more than one illustration to identify the procurable parts. In this case sheet numbers are assigned to the figure, i.e. Figure 1, Sheet 1, Figure 1, Sheet 2.

Parts of riveted or welded units are not listed since repair of these parts is normally impractical in the field, however these parts are available as assemblies.

To be sure that this parts catalog contained the latest information, last minute revisions were made. In these instances the additions were added in sequence with a letter added to the identification numbers both in the parts list and corresponding illustration i.e., 1A, 1B, 1C.

The Parts List contains four columns:

**Fig. and Index No.** - The first entry in this column lists the figure number of the corresponding illustration. An index number when listed corresponds to the index number appearing on the illustration. Index numbers are not used when:

- Items are listed for reference purposes only.
- The assembly listed has all piece parts indexed below.
- The item listed is an alternate part.
- Two or more assemblies are listed together in one illustration and the same parts are used but in different quantities.

**ROWE Part No.** - This column lists the part number of the item which should be specified for ordering purposes.

**Description** - This column contains a brief word description of the assembly or part. Each item is indented to show its proper relationship to the unit of which it is a part or to its next higher assembly.

**Qty Per Assy** - This column contains the quantity of the part used in the assembly. When a figure covers more than one model of an assembly, the "Qty Per Assy" column is divided to show each model.

## ORDERING REPLACEMENT PARTS

All replacement parts must be ordered directly from an authorized ROWE Distributor.

Once the replacement item is determined, complete a standard parts order form available from your ROWE distributor at no charge. Very often parts orders are delayed, because of inadequate or incomplete information. To insure prompt parts delivery always specify the following information:

- Part Number and Description. State color if applicable.
- Quantity required.
- Model and Serial Number of machine for which the repair part is needed.
- Complete shipping address including ZIP code.
- Shipping Instructions must be specified. If the shipping method selected is Parcel Post, Air Parcel Post, United Parcel Service or Air UPS, indicate an alternate shipping method if there is a possibility the packages may exceed the size and weight limits established by these services. If you would like ROWE to select the best way to ship your parts order, specify "BEST WAY". If fastest delivery is the requirement, specify "FASTEST WAY". ROWE will select the carrier for those orders which justify shipment by truck.

FIGURE  
1

# Phonograph Final Assembly Sheet 1

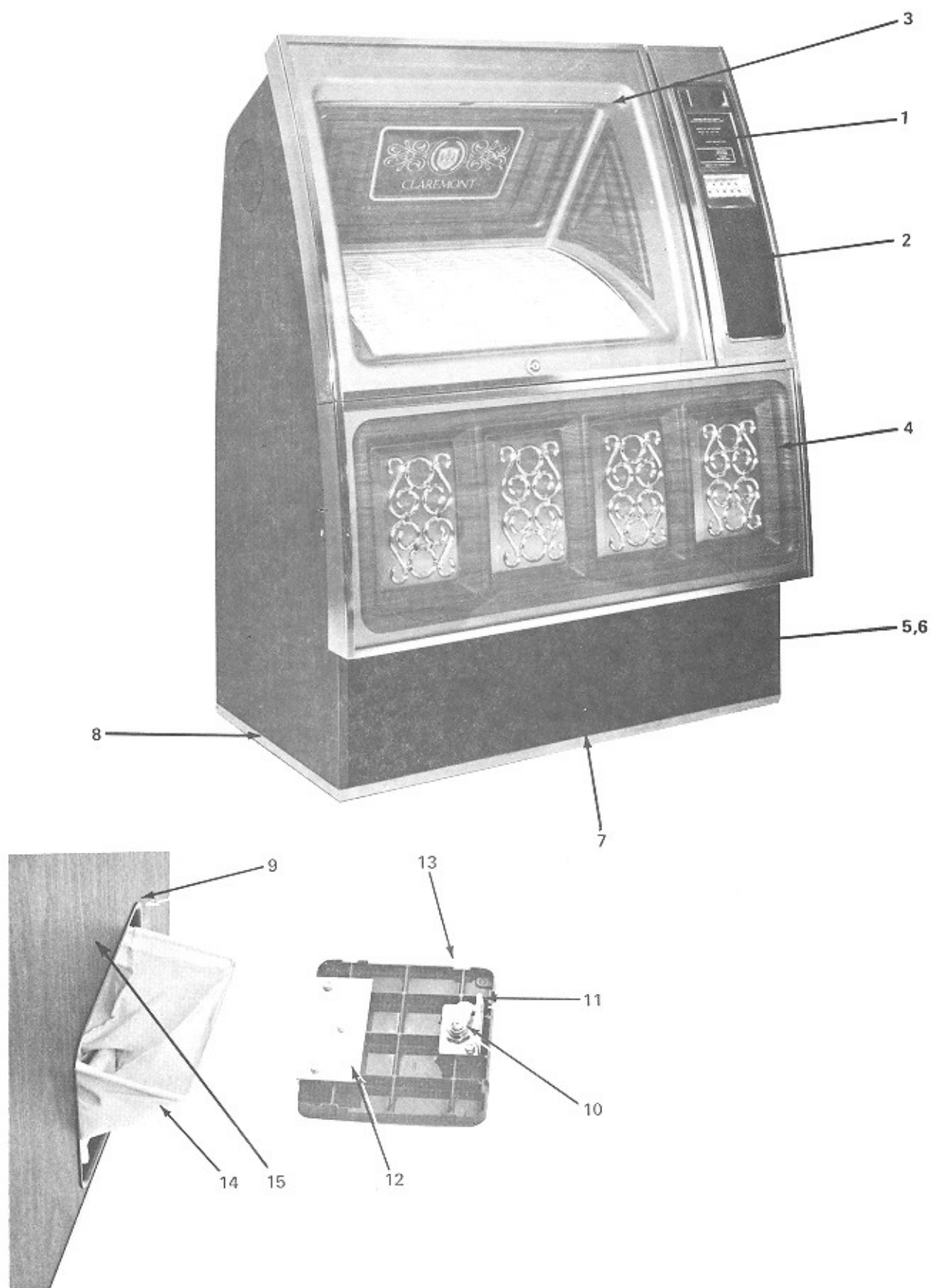


FIG. AND INDEX NO.	ROWE PART NO.	DESCRIPTION	QTY. PER ASSY
1-	6-08600-01	R-83 Phonograph Final Assembly (Claremont)	
	6-08600-02	R-83 Phonograph Final Assembly (Fiesta)	
	2-17305-11	. Accessories Bag Assembly	1
	7-00720-10	. . 3 Amp Fuse	2
	7-00721-05	. . 1 Amp Fuse (Used on Main Power Supply)	1
	7-00721-22	. . 3 Amp Fuse (Used on Main Power Supply)	1
	7-00721-25	. . 2.5 Amp Fuse (Used on Main Power Supply)	1
	7-00926-10	. . Pin Contact	3
	7-00926-11	. . Socket Contact	3
	7-00975-01	. . Universal Pin Contact	6
	7-00975-02	. . Universal Socket Contact	6
	7-00756-01	. . Post Contact	6
	7-00910-12	. . Spade Terminal Lug	10
1	3-07866-02	. Universal Price Card	1
	6-07681-03	. Universal Price Selection Card	1
	3-07810-01	. Bill Acceptor Blockout (Covers Opening when no B.A. is Used)	1
	2-17921-01	. Blockout Retainer	1
2	6-08653-01	. Selector and Speaker Panel Assembly (Claremont)(See Figure 2)	1
2	6-08653-02	. Selector and Speaker Panel Assembly (Fiesta) (See Figure 2)	1
3	6-08654-01	. Top Door Assembly (Claremont)(See Figure 3)	1
3	6-08654-02	. Top Door Assembly (Fiesta) (See Figure 3)	1
	7-01330-07	. Mounting Bolt	2
4	6-08655-01	. Front Door Assembly (Claremont)(See Figure 4)	1
4	6-08655-02	. Front Door Assembly (Fiesta) (See Figure 4)	1
5	4-07114-02	. Lower Grille	1
6	2-17820-02	. Bottom Grille Foam Pad	1
	2-17806-02	. Acoustical Pad	1
7	4-07115-01	. Front Base Trim	1
8	3-07825-01	. Side Base Trim	2
	2-08795-01	. Retainer Bracket (Mounted on Rear of Phonograph)	2
9	4-05276-07	. Cash Box Door Frame (Claremont)	1
9	4-05276-05	. Cash Box Door Frame (Fiesta)	1
	2-11449-01	. "U" Type Speed Clip	1
	2-11866-11	. Cash Box Door Assembly (Claremont)	1
	2-11866-05	. Cash Box Door Assembly (Fiesta)	1
10	7-01600-16	. . Cylinder Lock	1
11	2-06695-01	. . Lock Support	1
12	2-07703-01	. . Catch Bracket	1
13	6-03267-18	. . Cash Box Door (Claremont)	1
13	6-03267-05	. . Cash Box Door (Fiesta)	1
14	3-07026-01	. Cash Bag	1
15	4-06495-02	. Cash Bag Support	1

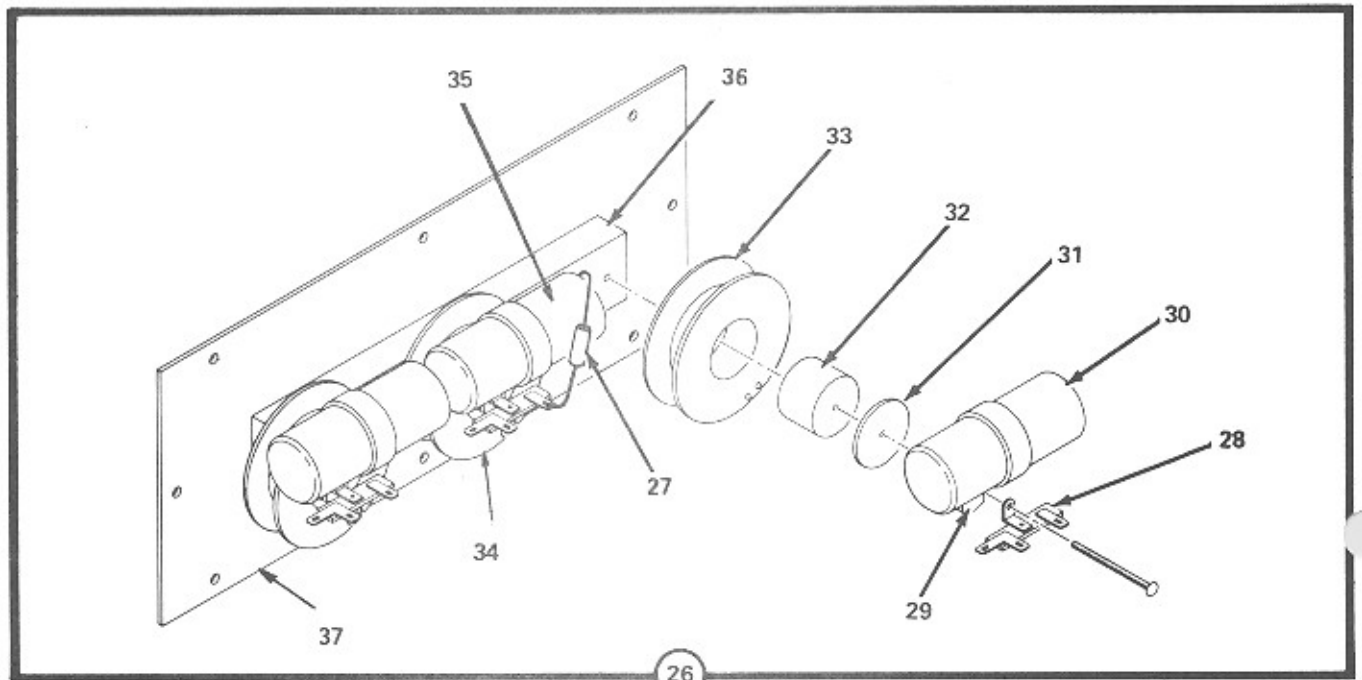
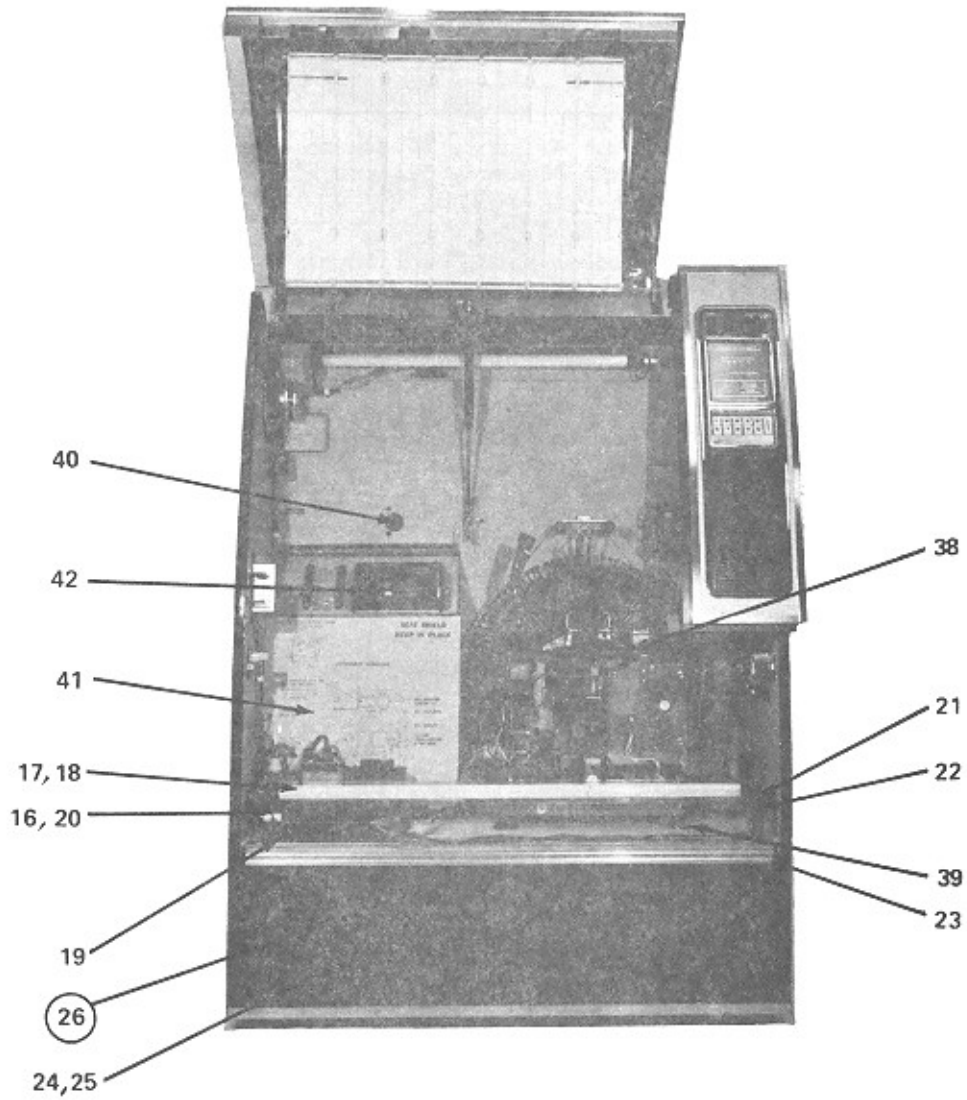


FIG. AND INDEX NO.	ROWE PART NO.	DESCRIPTION	QTY. PER ASSY
1-	6-08600-01	R-83 Phonograph Final Assembly (Claremont) (Continued)	
	6-08600-02	R-83 Phonograph Final Assembly (Fiesta) (Continued)	
16	7-00800-04	. Fluorescent Starter, FS-4	1
17	7-00601-12	. Fluorescent Lamp, 36 inches, 30 W, Type T-8	1
18	2-17982-01	. Fluorescent Lamp Sleeve	1
	4-07135-01	. Fluorescent Lamp Harness	1
	3-07490-02	. . 3 Circuit Universal Connector Cap Housing	1
19	2-15693-01	. . Ballast, 30 W (Univ. Mfg. Co. 393B; Robertson Transformer Co. S-30-5/6P)	1
20	2-00295-01	. . Starter Socket	1
21	2-15808-10	. . Fluorescent Lampholder (RH)	1
	2-15808-11	. . Fluorescent Lampholder (LH)	1
22	2-17971-01	. . Lamp Bracket (RH)	1
	2-17972-01	. . Lamp Bracket (LH)	1
	7-00931-03	. Cable Clamp	4
	7-00931-04	. Cable Clamp	1
23	3-07801-01	. Front Door Hanger	1
24	4-07144-02	. Low Frequency Speaker (Behind Grille)	2
25	2-17807-01	. Speaker Retaining Bracket	8
26	4-07160-01	. Speaker Network Assembly	1
27	7-00113-23	. . 2 W Wire Wound Resistor, 3.9 Ohms	1
28	3-04225-14	. . Terminal Strip	3
29	7-00931-12	. . Clamp	3
30	3-07722-12	. . 47/56 MFD Electrolytic Capacitor, 50V (G.E. Type 35F; Sprague Type 9A)	2
31	7-01200-04	. . Flat Washer	3
32	7-01211-10	. . Spacer	3
33	2-10586-01	. . 7 mH Inductor	2
34	2-17987-01	. . 6 mH Inductor	1
35	3-07722-02	17/21 MFD Electrolytic Capacitor, 50V (G.E. Type 35F; Sprague Type 9A)	1
36	2-18003-01	Spacer Block - Crossover	1
37	3-07877-01	Network Panel	1
38	6-03065-04	. Record Changer Mechanism Assembly (See Figure 5)	1
39	2-11537-01	. Lower Spring Support	4
40	3-17593-01	. Cord Hole Cover	1
41	3-07830-01	. Amplifier Panel	1
42	4-07139-01	. Selection Computer (See Schematic, Part 2 for Parts List)	1

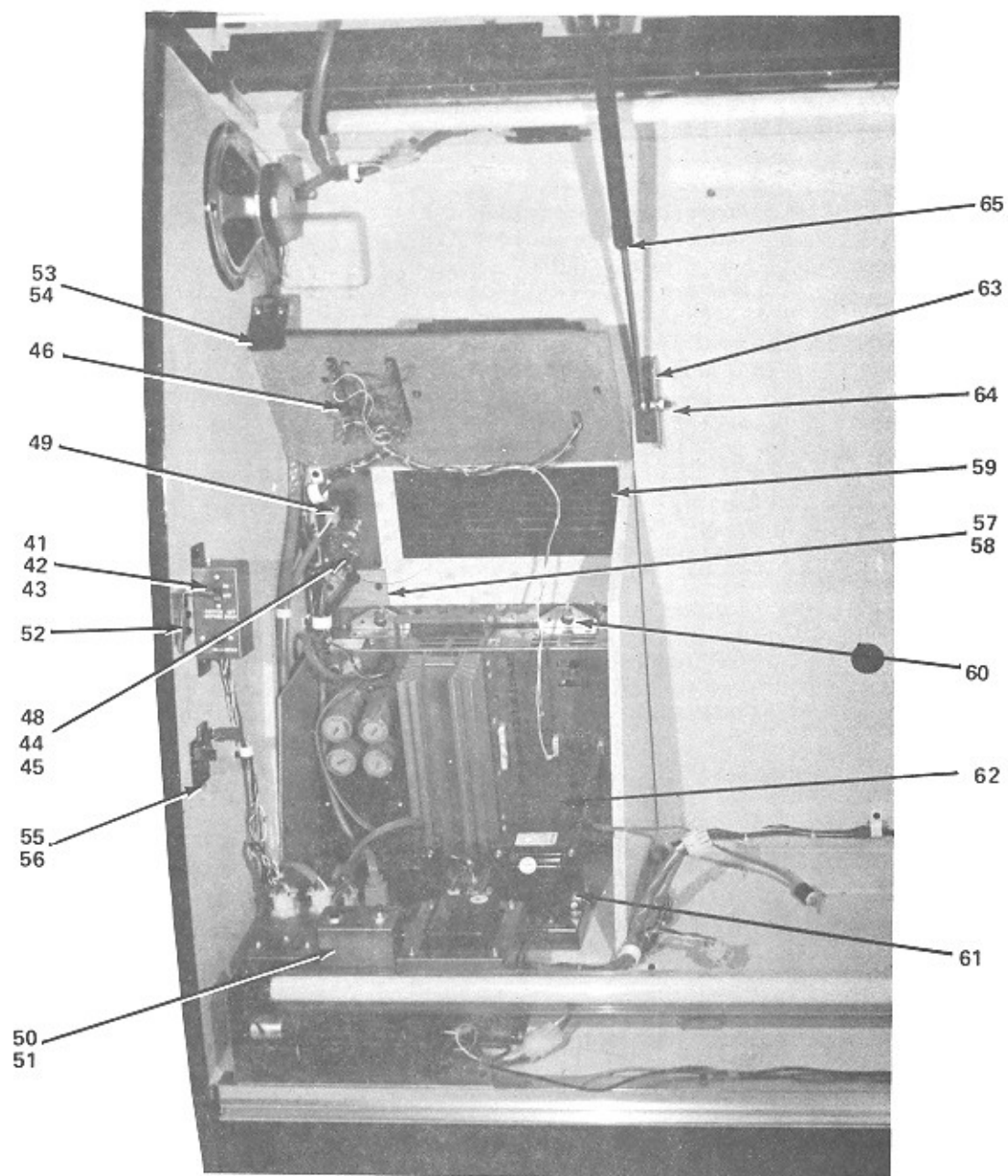


FIG. AND INDEX NO.	ROWE PART NO.	DESCRIPTION	FIGURE 1	QTY. PER ASSY
1-	6-08600-01	R-83 Phonograph Final Assembly (Claremont) (Continued)		
	6-08600-02	R-83 Phonograph Final Assembly (Fiesta) (Continued)		
	7-00934-01	. Cable Clamp		4
	7-00934-02	. Cable Clamp		14
	7-00931-02	. Cable Clamp		2
	6-08652-01	. 110 V Harness Assembly		1
40	3-07491-02	. . 3 Circuit Universal Connector Plug Housing (To Power Supply, Mechanism, Upper and Lower Lamps)		4
	6-08651-01	. Harness and Console Assembly		1
41	3-07615-01	. . Switch Housing Assembly		1
42	2-17731-01	. . Insulator		2
43	7-00931-03	. . Cable Clamp		1
	3-07491-05	. . 9 Circuit Univ. Connector Plug Housing (To Power Supply and to Ext. Speakers)		2
	3-07491-04	. . 6 Circuit Univ. Connector Plug Housing (To Mechanism)		1
	2-13541-01	. . 7 Circuit Combo-Line Cap Housing (To Phono Speakers)		1
	2-13541-04	. . 7 Circuit Combo-Line Cap Housing (To Mute)		1
44	2-17952-01	. . Control Plate		1
45	2-15818-01	. . Momentary Contact Pushbutton Switch		1
46	3-07829-01	. . Amplifier Door Assembly		1
	7-00931-07	. . Cable Clamp		1
	7-00755-07	. . 7 Circuit Connector Housing (To Sel. Computer and Coin Switches)		2
	7-00755-18	. . 18 Circuit Connector Housing (To Credit Computer)		1
	3-07490-04	. . 6 Circuit Univ. Connector Socket Housing (To Selector Lights)		1
	7-00755-09	. . 9 Circuit Connector Housing (To Memory and Sel. Logic)		2
	7-00755-05	. . 5 Circuit Connector Housing (To Selector Logic)		1
	2-12844-07	. . 1 Circuit Molex Socket Housing		1
	7-00755-05	. . 5 Circuit Connector Housing (To Volume Control)		1
	2-13541-03	. . 7 Circuit Combo-Line Cap Housing		1
48	2-13935-02	. Volume Control and Terminal Assembly		1
	2-01799-00	. Volume Control Knob		1
	2-02649-00	. Nut (mounts Volume Control)		1
49	3-07863-01	. Plug and Switch Assembly		1
	3-07857-01	. . S.P.S.T. Rocker Switch (Carling Switch No. TGA0411-TB-B)		1
	3-07491-01	. . 6 Circuit Univ. Connector Plug Housing		1
50	4-06849-01	. Main Power Supply (See Figure 12)		1
51	2-09256-01	. Mounting Bracket		1
52	2-17493-01	. Reset Actuator Assembly		1
53	2-17518-01	. Spring Catch		1
54	2-17985-01	. Spring Catch Mounting Bracket		1
55	2-17127-01	. L.H. Latch Assembly		1
	2-17128-01	. R.H. Latch Assembly		1
	7-01430-04	. . Retaining Ring		1
	2-09285-01	. . Torsion Spring		1
	2-17133-01	. . Latch Plate Assembly (LH)		1
	2-17134-01	. . Latch Plate Assembly (RH)		1
56	2-17300-01	. Fall Stop Hook		2
57	2-17951-01	. Cord Hole Cover		1
58	7-02321-04	. Strain Relief		1
59	3-07826-01	. Louver		1
	2-18009-01	. Tone Arm Cable and Plug		1
60	4-02426-01	. Amplifier Mounting Bracket Assembly		1
	6-07439-01	. 125 Watt Stereo Amplifier and Transformer Assembly		1
61	4-06336-03	. . 125 Watt Output Transformer Assembly (See Figure 11)		1
62	6-07438-01	. . 125 Watt Stereo Amplifier Assembly		1
	6-08552-01	. . . Pre-Amplifier Assembly (See Schematic in Part 2 for Parts)		1
63	2-17966-01	. Spring Pivot (Rod End)		1
64	2-17976-01	. Ball Stud		1
65	4-07149-01	. Pneumatic Spring		1
	7-01330-07	. Mounting Bolt		2



FIGURE  
1

# Phonograph Final Assembly Sheet 4

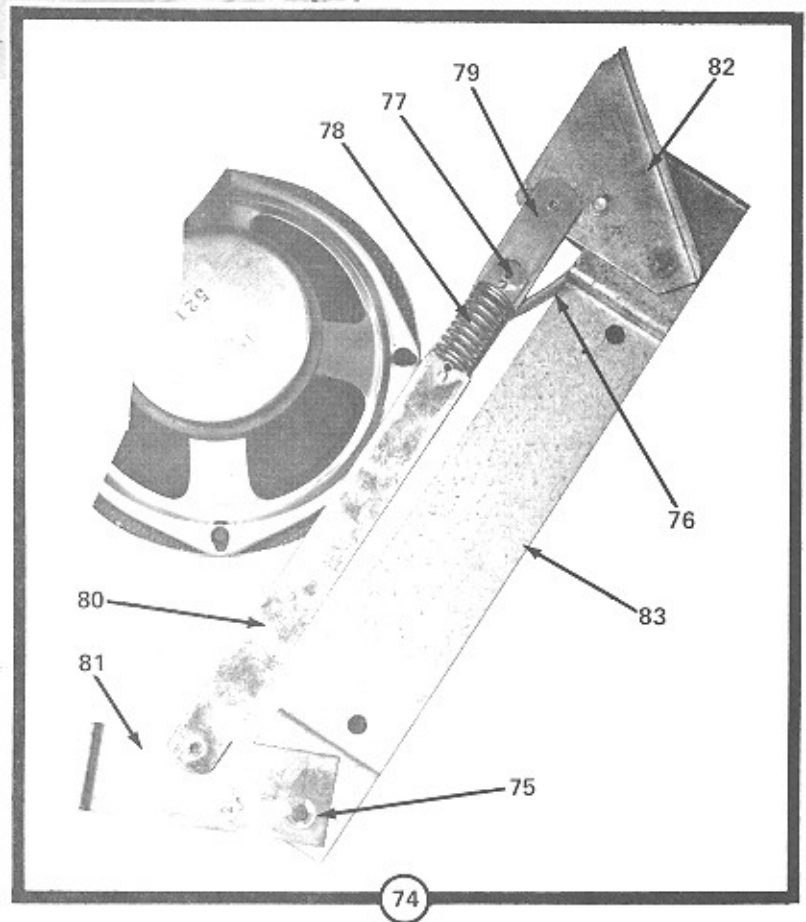
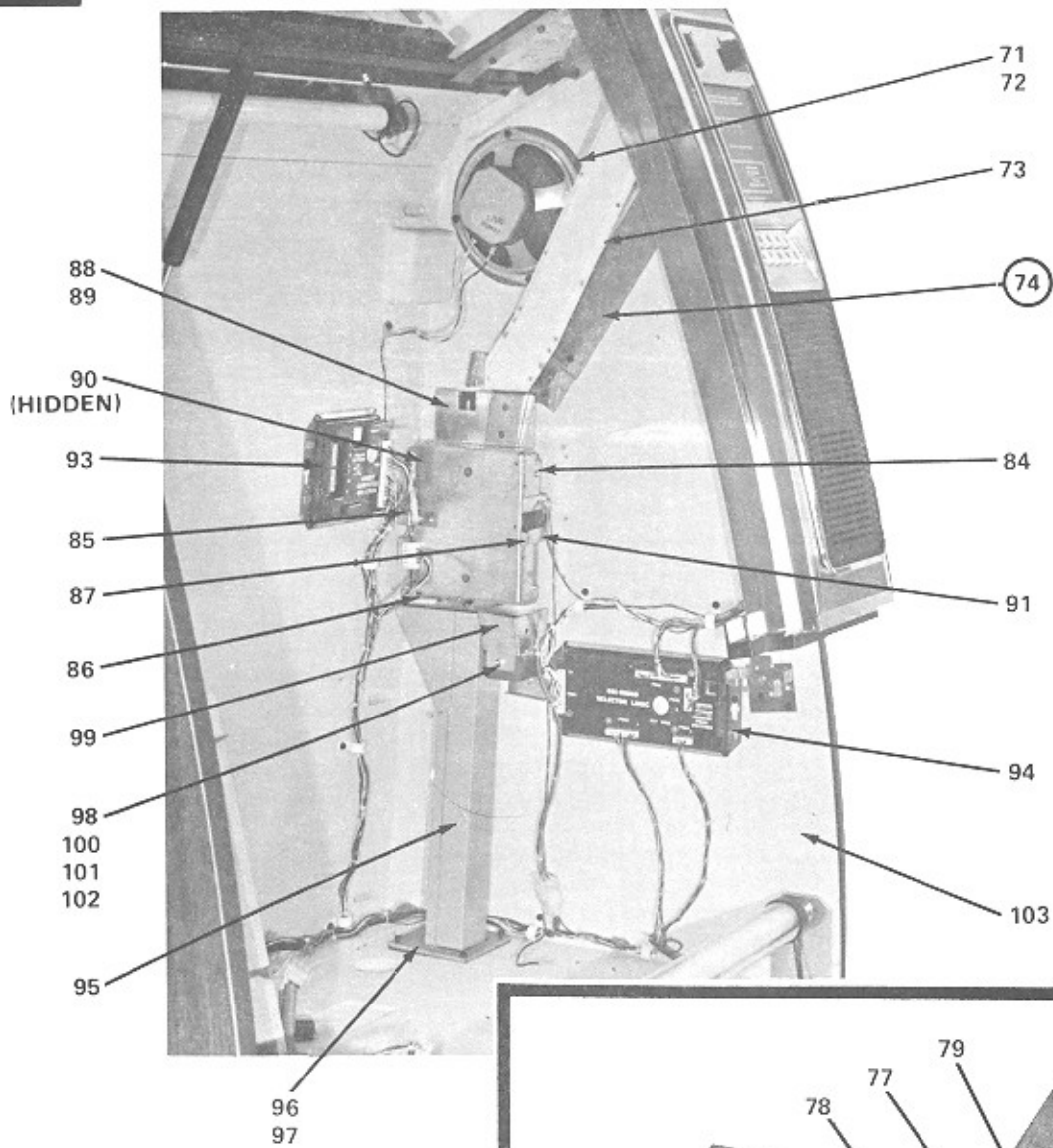


FIG. AND INDEX NO.	ROWE PART NO.	DESCRIPTION	QTY. PER ASSY
1-	6-08600-01	R-83 Phonograph Final Assembly (Claremont) (Continued)	
	6-08600-02	R-83 Phonograph Final Assembly (Fiesta) (Continued)	
71	3-07820-01	. Side Grille	2
71	3-07820-02	. Side Grille	2
72	4-07145-02	. Speaker	2
73	4-07717-01	. Upper Coin Chute Assembly	1
74	3-07827-01	. Scavenge Assembly	1
75	7-01430-04	. . Retaining Ring	4
76	2-12562-01	. . Spring	1
77	2-09225-01	. . Spacer	2
78	2-17656-01	. . Compression Spring	1
79	2-17564-01	. . Shaft and Pin Assembly	1
80	2-17937-01	. . Shaft and Pin Assembly	1
81	2-17909-01	. . Scavenger Actuator	1
82	2-17911-01	. . Scavenger Lever	1
83	2-17936-01	. . Bracket and Pin Assembly	1
84	4-07156-01	. Slug Rejector (5c, 10c, 25c, 50c)	1
84	4-06961-01	. Slug Rejector (5c, 10c, 25c)	ALT
84	4-06962-02	. Slug Rejector (3 Coin Plastic)	ALT
	4-07038-04	. Mounting Bracket and Coin Switch Assembly	1
85	2-08795-01	. . Retainer Bracket	1
86	3-05787-02	. . Coin Switch Assembly	1
87	2-14314-01	. . Plate and Pin Assembly	1
88	2-17902-01	. . Rejector Hinge	1
	2-14114-01	. . Spacer (Not Used with 4-05476-00 Rejector)	1
89	4-05793-01	. . Slug Rejector Mounting Bracket Assembly	1
90	2-17901-01	. Hinge Support	1
91	2-14295-01	. Rejector Catch Assembly	1
92	2-17533-01	. Hinge Support	1
93	6-07674-01	. Credit Computer (See Schematic in Part 2 for Parts)	1
94	6-08060-01	. Selector Logic (See Schematic in Part 2 for Parts)	1
95	4-07116-01	. Lower Coin Chute Assembly	1
96	3-07437-01	. Coin Chute Collar	1
97	2-17544-01	. Coin Chute Gasket	1
98	2-13578-02	. Elastic Stop Nut	1
99	2-17412-01	. Slug Chute	1
100	2-17929-01	. Slug Cup Door	1
101	2-17930-01	. Slug Cup Bracket	2
102	3-07817-01	. Slug Cup (Claremont)	1
102	3-07817-02	. Slug Cup (Fiesta)	1
103	6-08650-01	. Shell Assembly (Claremont) (See Figure 13)	1
103	6-08650-02	. Shell Assembly (Fiesta) (See Figure 13)	1

**FIGURE**  
**2**

# Selector and Speaker Panel Assembly

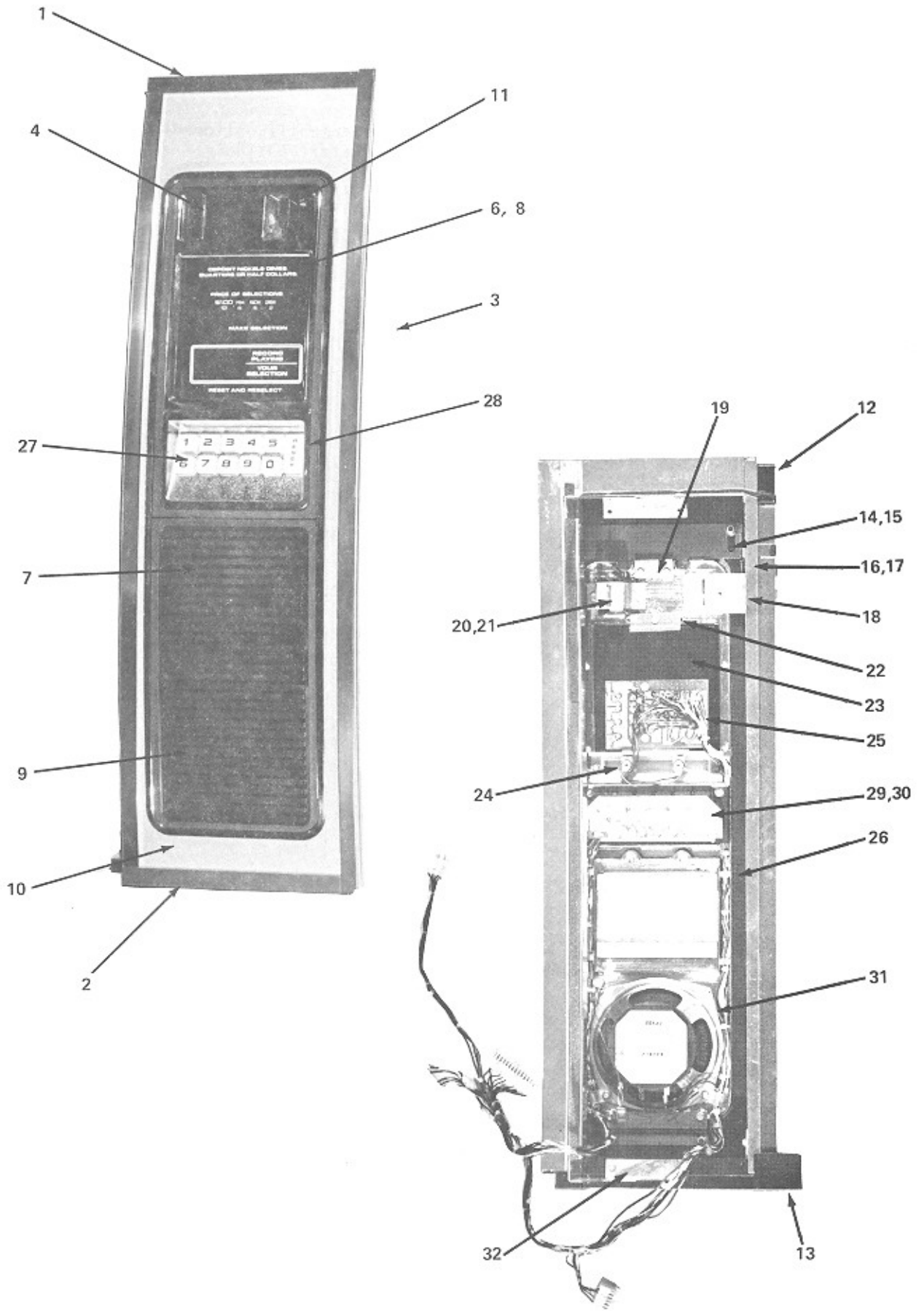


FIG. AND INDEX NO.	ROWE PART NO.	DESCRIPTION	QTY. PER ASSY
2-	6-08653-01	Selector and Speaker Panel Assembly (Claremont)(Figure 1, Item 2)	REF
2-	6-08653-02	Selector and Speaker Panel Assembly (Fiesta)(Figure 1, Item 2)	REF
1	3-07836-02	. Top Trim and Bracket Assembly	1
2	3-07837-03	. Trim and Bracket Assembly	1
3	6-08562-01	. R.H. Side	1
	6-08561-02	. L.H. Side	1
4	3-07808-02	. Coin Inlet	1
	6-07681-03	. Universal Price Selection Card (Part of Final Assembly)(Not Shown)	REF
6	3-07866-02	. Universal Price Card (Part of Final Assembly, Figure 1, Item 1)	REF
7	3-07810-01	. Bill Acceptor Blockout (Part of Final Assembly)	REF
8	2-17928-01	. Price Card Window (4-15/16" x 5-5/32" x .115/.133" Double Strength "8" Glass)	1
9	6-08579-01	. Selector Trim and Insert Assembly	1
10	3-07838-03	. Back Plate and Stud Assembly (Claremont)	1
10	3-07838-04	. Back Plate and Stud Assembly (Fiesta)	1
11	2-17933-02	. Reject Button and Shaft Assembly	1
12	2-17977-01	. Light Block	1
13	3-07870-01	. Control Panel Light Block	1
14	2-17920-01	. Latch	1
15	2-51569-04	. Shoulder Washer	2
16	2-12562-01	. Spring	1
17	2-15674-01	. Spring Retainer	1
18	2-17913-01	. Coin Chute Mounting Bracket	1
19	2-17918-01	. Control Panel Catch	1
20	2-17934-01	. Spring	1
21	2-17915-01	. Reject Button Bracket	1
22	2-17935-01	. Holder Retainer	1
23	3-07805-01	. Price Card Holder	1
24	3-07806-01	. Diffuser	1
25	4-07130-02	. Digital Display and Harness Assembly (See Schematic in Part 2 for Parts)	1
26	2-17962-01	. Wire Retainer Clip	6
	4-07131-01	. Keyboard Assembly	1
27		. . One each of the Following Pushbuttons:	
	3-07431-01	Pushbutton "1"	
	3-07431-02	Pushbutton "2"	
	3-07431-03	Pushbutton "3"	
	3-07431-04	Pushbutton "4"	
	3-07431-05	Pushbutton "5"	
	3-07431-06	Pushbutton "6"	
	3-07431-07	Pushbutton "7"	
	3-07431-08	Pushbutton "8"	
	3-07431-10	Pushbutton "9"	
	3-07431-11	Pushbutton "0"	
28	3-07432-01	. . "Reset" Pushbutton	1
29	3-07839-01	. . Support Plate Assembly	1
30	6-08580-01	. . Keyboard Printed Circuit Board with the Following Switches:	1
	3-07433-01	. . Keyboard Switch	11
	3-07840-01	. . Keyboard Harness Assembly	1
31	4-07146-02	. Speaker	1
32	3-07809-01	. Gusset	1
	2-15726-01	. Fall Stop Cable (Not Shown)	1
	2-17919-01	. Control Panel Hinge (Not Shown)	1
	2-17983-01	. Wire Guide (Not Shown)	1

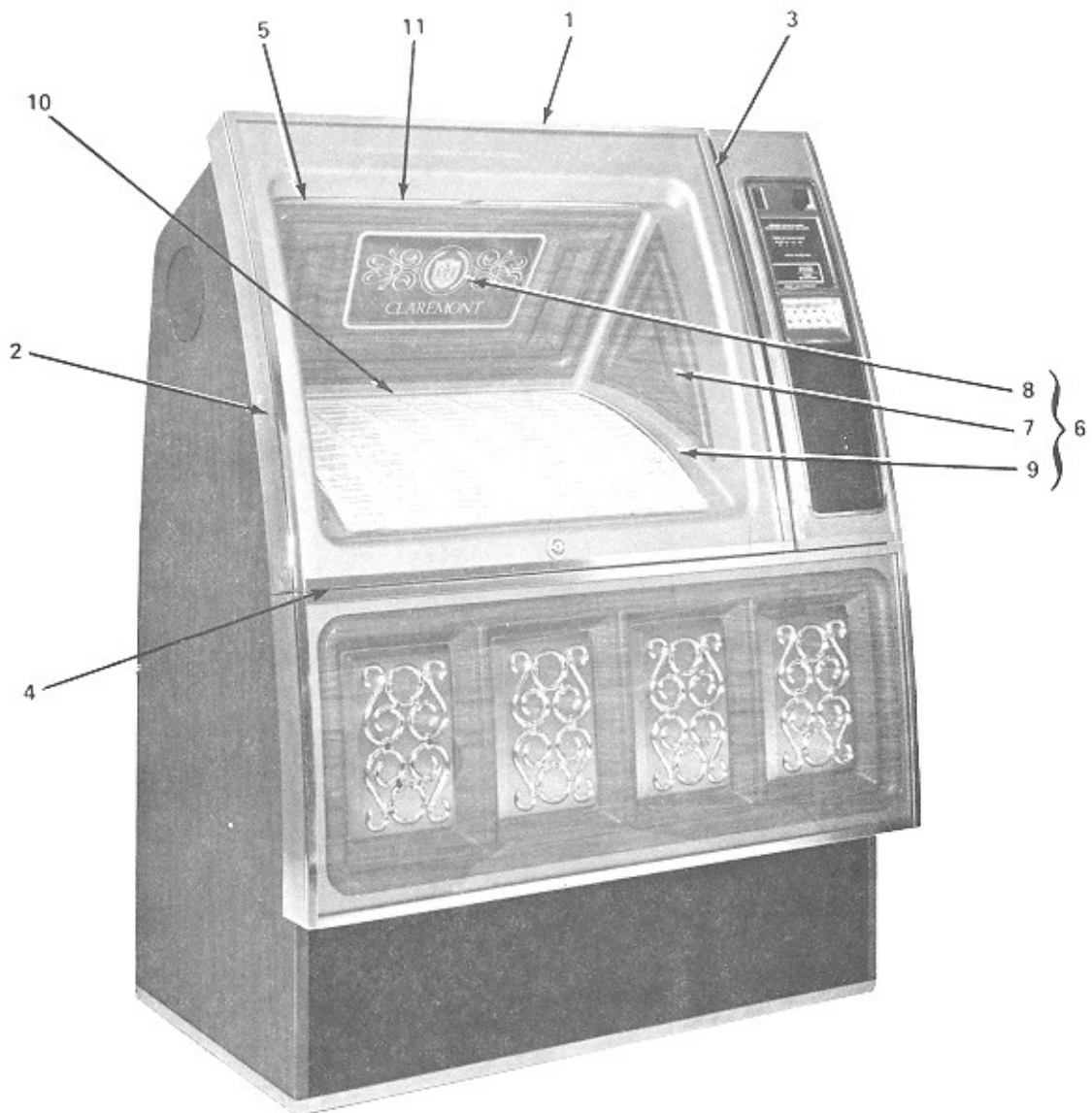


FIG. AND INDEX NO.	ROWE PART NO.	DESCRIPTION	QTY. PER ASSY
3-	6-08654-01	Top Door Assembly (Claremont)(Figure 1, Item 3)	REF
3-	6-08654-02	Top Door Assembly (Fiesta) (Figure 1, Item 3)	REF
1	3-07846-02	. Upper Trim Assembly	1
2	3-07847-01	. Left Side Trim Assembly	1
3	6-08556-02	. Right Side Trim Assembly	1
4	3-07848-03	. Lower Trim Assembly (Claremont) (Fiesta)	1
5	3-07800-01	. Top Door Window (Claremont) (Fiesta)	1
	7-02204-20	. Foam Tape	2
	7-02204-28	. Foam Tape	2
6	3-07878-01	. Housing & Decal Assembly (Claremont)	1
6	3-07878-02	. Housing & Decal Assembly (Fiesta)	1
7	6-08660-01	. . R.H. Decorative Decal (Claremont)	1
7	4-07163-01	. . R.H. Decorative Decal (Fiesta)	1
	6-08659-01	. . L.H. Decorative Decal (Claremont)	1
	4-07162-01	. . L.H. Decorative Decal (Fiesta)	1
8	6-08661-01	. . Middle Decorative Decal (Claremont)	1
8	6-08662-01	. . Middle Decorative Decal (Fiesta)	1
	6-08663-01	. . Product Identification Panel	1
	4-07164-01	. . Product I.D. Diffuser	1
	3-07883-01	. . I.D. Panel Insert (Claremont)	1
	3-07883-02	. . I.D. Panel Insert (Fiesta)	1
9	6-08560-01	. Title Rack	6
9	6-08560-02	. Title Rack	1
10	4-07110-01	. Title Rack Frame Trim	1
11	3-07851-01	. Diffuser (Claremont)	1
	3-07851-02	. Diffuser (Fiesta)	1

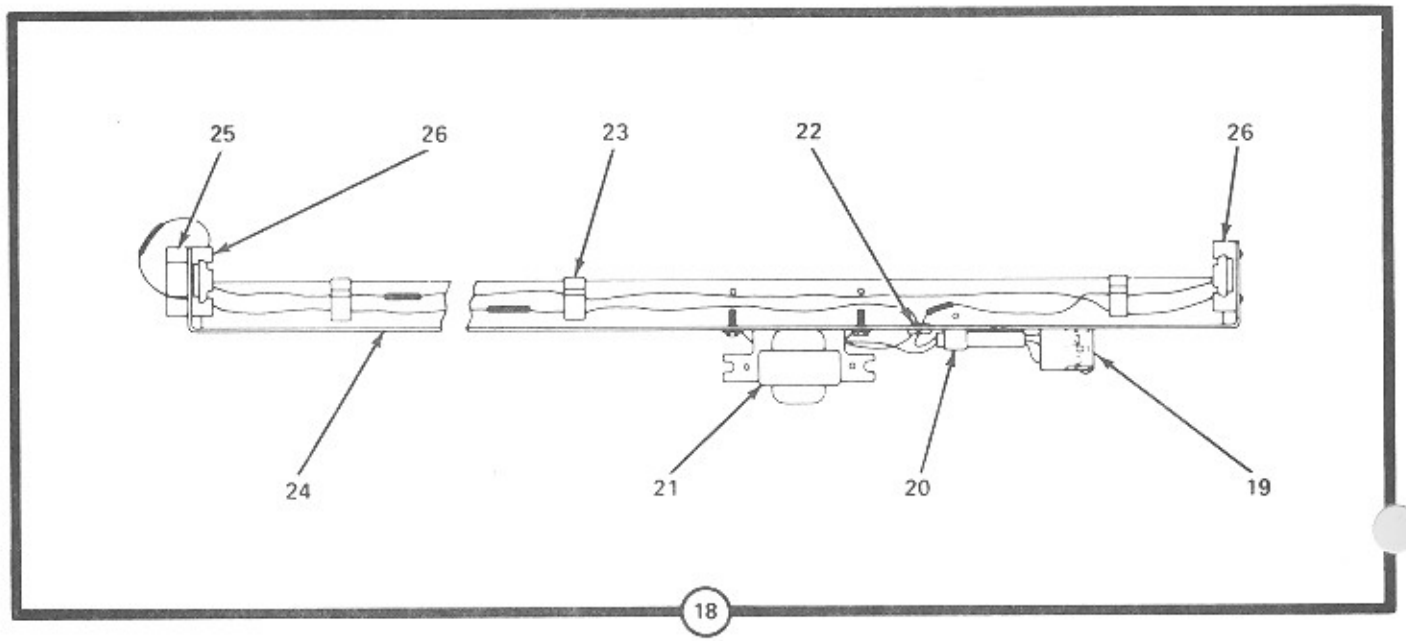
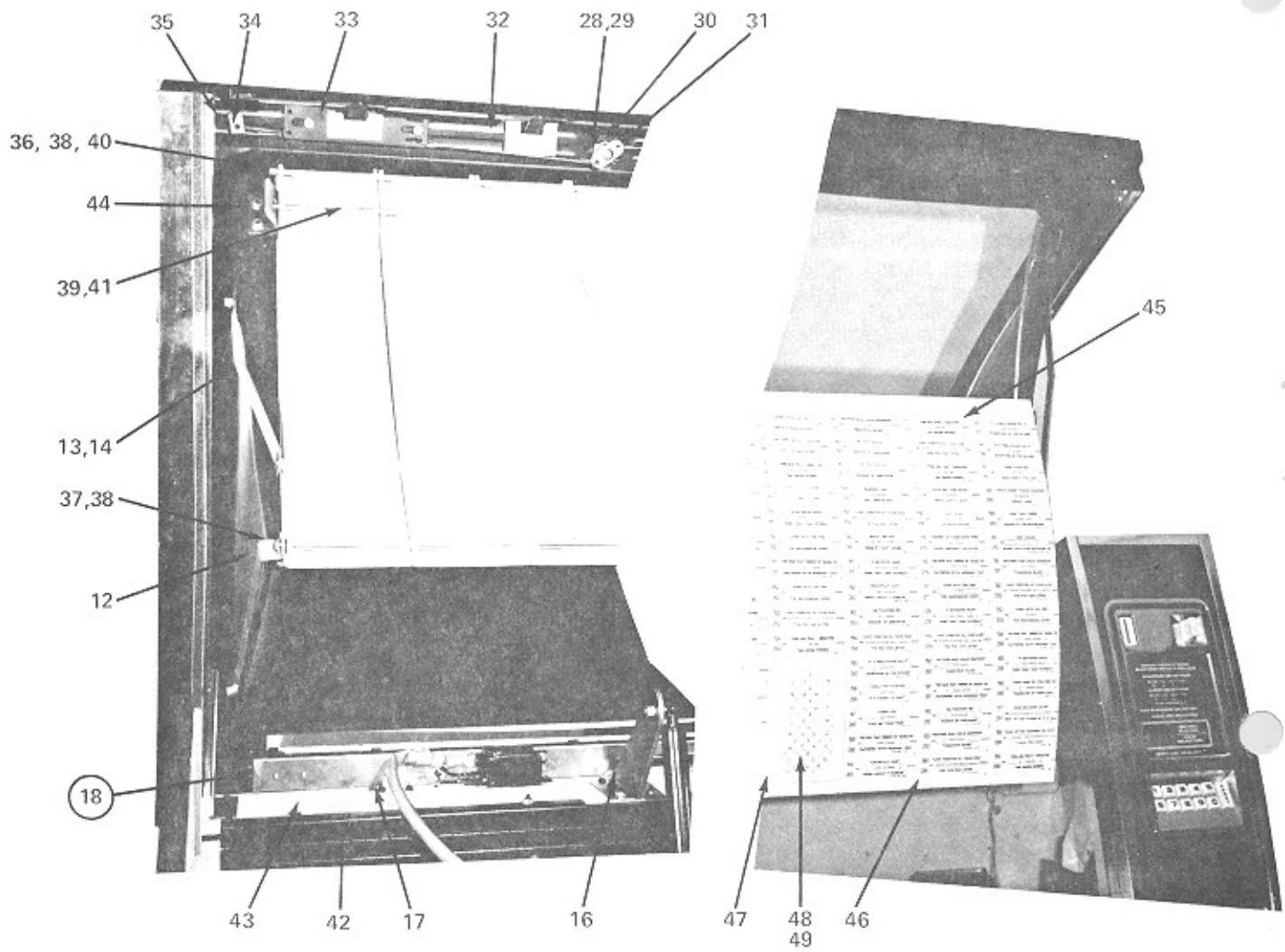


FIG. AND INDEX NO.	ROWE PART NO.	DESCRIPTION	QTY. PER ASSY
3-	6-08654-01	Top Door Assembly (Claremont) (Continued)	
3-	6-08654-02	Top Door Assembly (Fiesta) (Continued)	
12	2-17943-01	. Link	2
13	2-17942-01	. Link and Pin Assembly	2
14	2-13578-11	. Elastic Stop Nut	4
15	2-17969-01	. Gusset and Plate Assembly (Not Shown)	1
16	4-07147-01	. Spring Pivot (L.H.)	1
	4-07148-02	. Spring Pivot (R.H.)	1
17	2-17978-01	. Lamp Mounting Bracket	2
	7-00601-07	. Fluorescent Lamp, Type T-8, 26 Inches, 19W	1
	7-00800-03	. Fluorescent Starter, FS-25	1
18	4-07166-01	. Lampholder Assembly	1
19	3-07490-02	. . Cap Housing - Universal	1
20	7-00931-06	. . Cable Clamp	1
21	2-13203-01	. . Ballast (Robertson Transformer Co. SP-195/6)	1
22	7-01460-07	. . Bearing	1
23	2-07545-01	. . Wire Clip	3
24	2-17970-01	. . Lamp Bracket	2
25	2-00295-01	. . Starter Socket	1
26	2-15808-12	. . Fluorescent Lampholder	1
	2-15808-14	. . Fluorescent Lampholder	1
27	3-07854-01	. . Lamp Mounting Plate	1
28	7-01632-03	. Common Keying Cylinder Lock	1
29	2-17953-01	. Lock Bezel (Claremont)	1
29	2-17953-02	. Lock Bezel (Fiesta)	1
30	2-14256-01	. Lock Bolt	1
31	2-17249-01	. Lock Bar Link	2
32	2-17908-01	. Guide	1
33	2-17940-01	. L.H. Lock Bar Assembly	1
	2-17941-01	. R.H. Lock Bar Assembly	1
	2-09225-02	. Spacer (Not Shown)	4
34	2-12562-01	. Spring	2
35	2-15674-01	. Spring Retainer	2
36	2-17944-01	. Bottom Rod	1
37	2-17945-01	. Top Rod	1
38	7-01430-03	. Retaining Ring	5
39	2-17162-01	. Catch Rod	2
40	2-15689-01	. Pushnut	2
41	2-17176-01	. Compression Spring	2
	7-01430-05	. Retaining Ring	4
42	3-07822-01	. Top Door Hinge	1
	7-01330-07	. Mounting Bolt	4
43	4-07150-01	. Hinge Panel (Claremont)	1
43	4-07150-02	. Hinge Panel (Fiesta)	1
44	2-17981-01	. Title Rack Catch	2
45	3-07852-01	. Number Strip, 100 to 214	1
	3-07852-02	. Number Strip, 115 to 229	1
	3-07852-03	. Number Strip, 130 to 244	1
	3-07852-04	. Number Strip, 145 to 254	1
	3-07852-05	. Number Strip, 155 to 269	1
	3-07852-06	. Number Strip, 170 to 284	1
	3-07852-07	. Number Strip, 185 to 299	1
46	6-08560-01	. Title Rack	6
	6-08560-02	. Title Rack	1
47	3-07841-01	. License Frame	1
48	2-17946-01	. License Holder	1
49	2-17947-01	. License Holder Insert	1
	2-17976-01	. Ball Stud	1



FIGURE  
4

# Front Door Assembly

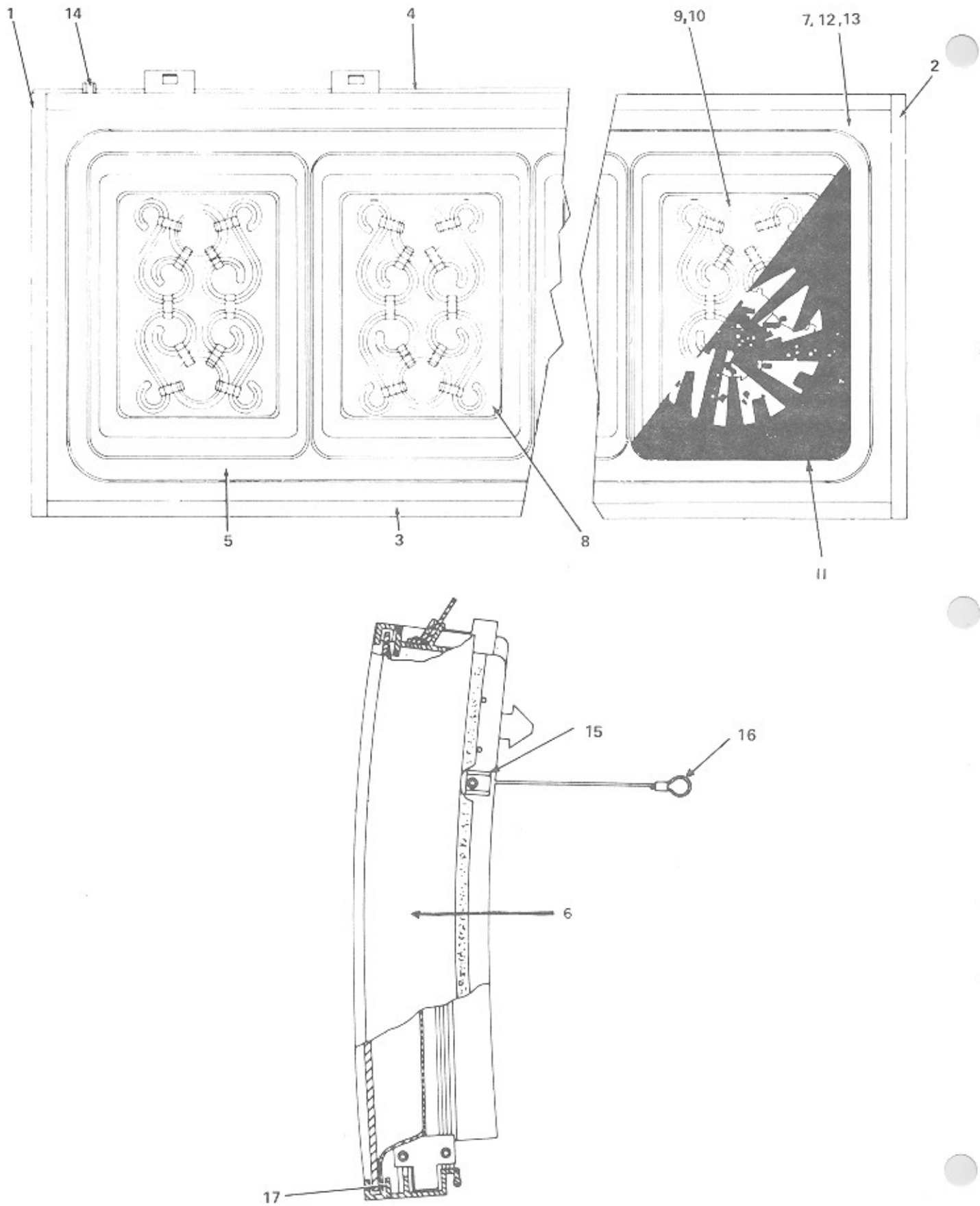


FIG. AND INDEX NO.	ROWE PART NO.	DESCRIPTION	QTY. PER ASSY
4.	6-08655-01	Front Door Assembly (Claremont)(Fig. 1, Item 4)	REF
4.	6-08655-02	Front Door Assembly (Fiesta)(Fig. 1, Item 4)	REF
1	3-07842-01	. L.H. Side Trim Assembly (Claremont)(Fiesta)	1
2	3-07843-01	. R.H. Side Trim Assembly (Claremont)(Fiesta)	1
3	3-07844-02	. Lower Trim Assembly (Claremont)(Fiesta)	1
4	3-07845-03	. Top Trim Assembly (Claremont)(Fiesta)	1
5	3-07879-01	. Front Door Window (Claremont)(Fiesta)	1
6	2-17979-01	. Clamp	4
7	6-08657-01	. Furniture Frame (Claremont)	1
8	6-08658-01	. Insert Panel (Claremont)	4
9	4-07161-01	. Decorative Trim (Claremont)	4
10	2-12815-01	. Speed Nut - Push On	16
11	6-08665-01	. Front Door - Scene (Fiesta)	1
12	2-14301-07	. Window Channel (Claremont) (Fiesta)	2
13	2-14301-11	. Window Channel (Claremont) (Fiesta)	2
14	2-17973-01	. Light Block - Front Door (Claremont)(Fiesta)	1
15	2-14913-01	. Door Guide (Claremont)(Fiesta)	2
16	2-15726-01	. Fall - Stop Cable (Claremont)(Fiesta)	1
17	7-02203-04	. Foamed Tape (Claremont)(Fiesta)	2
18	7-02202-25	. Foamed Tape (Claremont)(Fiesta)	2
19	7-02204-25	. Foamed Tape (Claremont)(Fiesta)	1

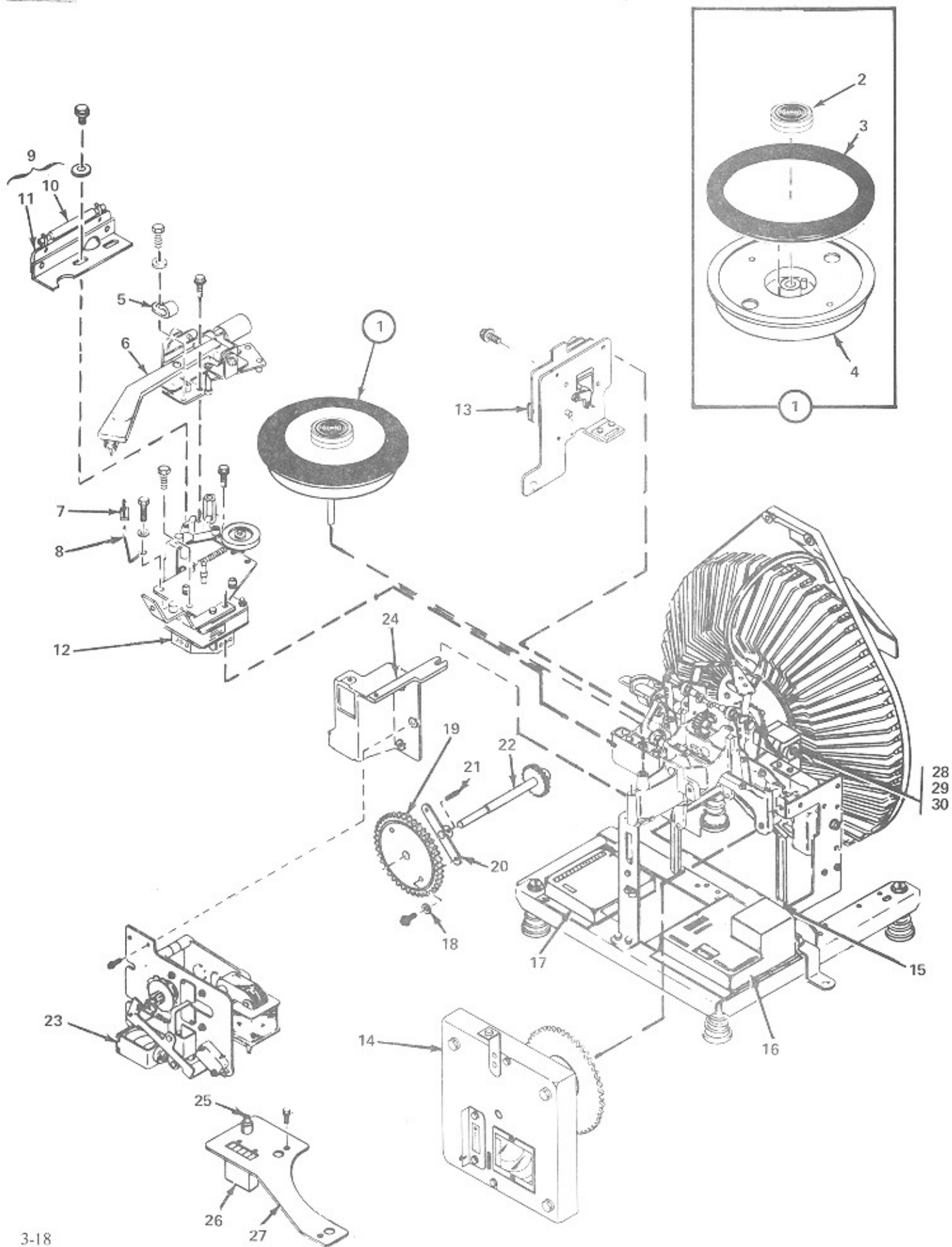


FIG. AND INDEX NO.	ROWE PART NO.	DESCRIPTION	QTY. PER ASSY
5-	6-03065-04	Record Changer Mechanism Assembly (Figure 1, Item 35)	REF
1	3-05238-01	. Turntable Assembly	1
2	4-05068-01	. . Hub	1
3	3-05235-01	. . Turntable Face	1
4	4-05069-02	. . Turntable and Shaft Assembly	1
5	7-00931-01	. . Cable Clamp	1
6	3-05124-06	. Tone Arm Assembly (See Figure 6)	1
7	2-02182-00	. Brush	1
8	2-11569-00	. Brush Clip	1
9	2-10891-01	. Cutoff Switch Assembly	1
10	2-10726-00	. . Reed Switch (C.P. Clare Co. No. RP-9250)	1
11	2-10917-01	. . Terminal Board and Bracket Assembly	1
12	4-05074-04	. Turntable Motor and Plate Assembly (See Figure 7)	1
13	4-06906-02	. Cam Switch and Motor Assembly (See Figure 8)	1
14	6-07667-01	. Encoder Assembly (See Figure 9)	1
15	2-11587-00	. 1/4-20 Speednut	2
16	3-07855-01	. Memory Unit (See Phono Schematic in Part 2 for Parts)	1
17	4-06905-01	. Mechanism Control Unit (See Schematic, Part 2 for Parts)	1
18	7-01222-04	. External Tooth Lockwasher	2
19	3-05181-01	. Pinion and Plate Assembly	1
20	2-10826-00	. Gear Hub	1
21	7-01130-06	. Roll Pin	2
22	2-11000-01	. Magazine Drive Shaft Assembly	1
23	4-05022-05	. Sprag Assembly (Magazine Motor)(See Figure 10)	1
24	4-05019-00	. Motor Mounting Bracket	1
25	2-15818-01	. Momentary Contact Pushbutton Switch	1
26	2-17721-01	. Counter Assembly	1
27	3-05242-01	. Counter Mounting Plate	1
28	2-17716-01	. Tip and Plunger Assembly	1
29	2-11505-06	. Solenoid Assembly	1
30	2-17669-01	. Solenoid Bracket	1

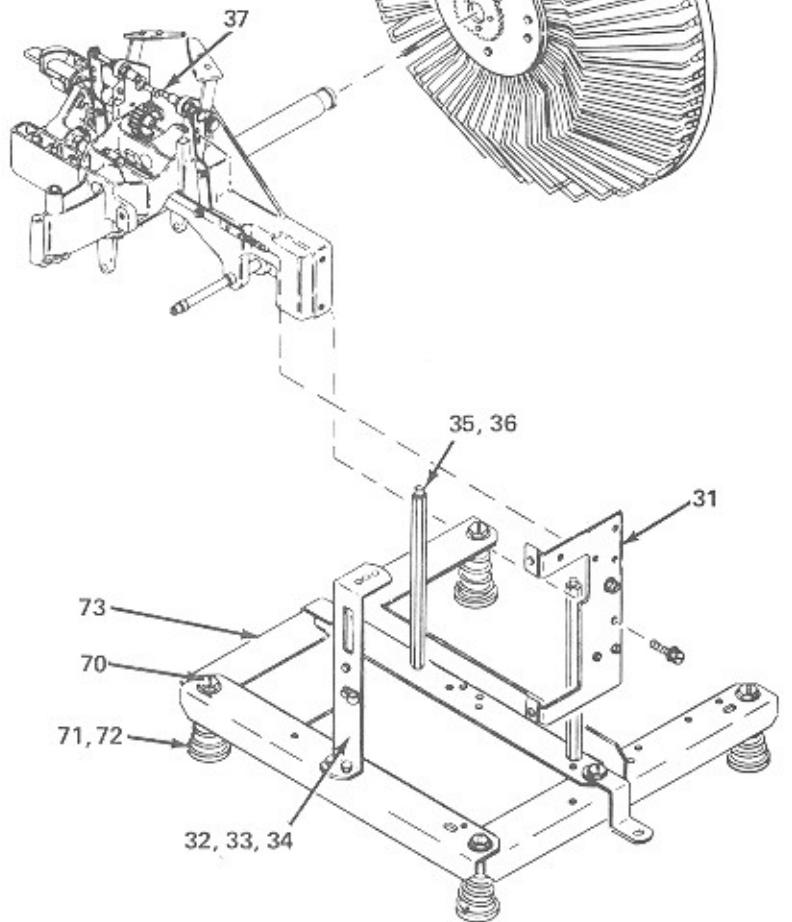
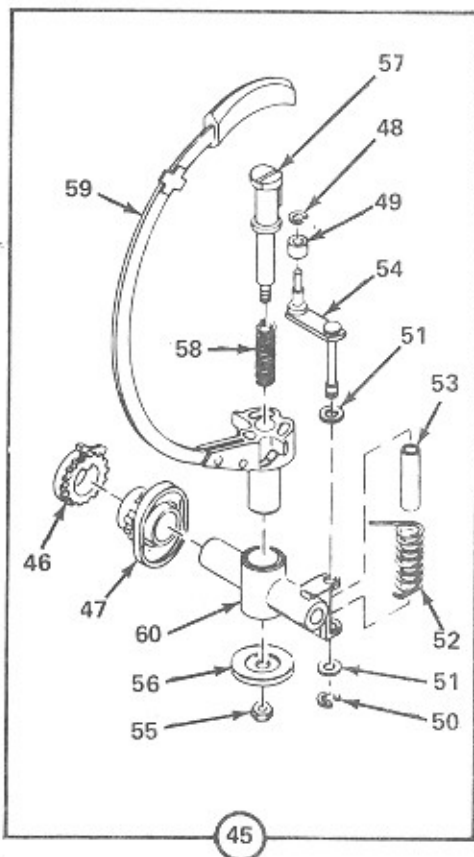
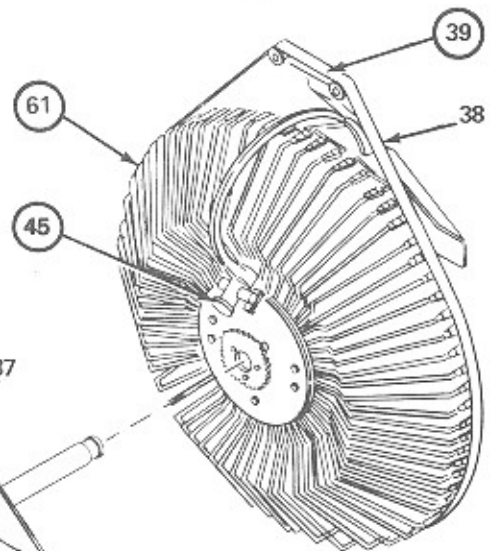
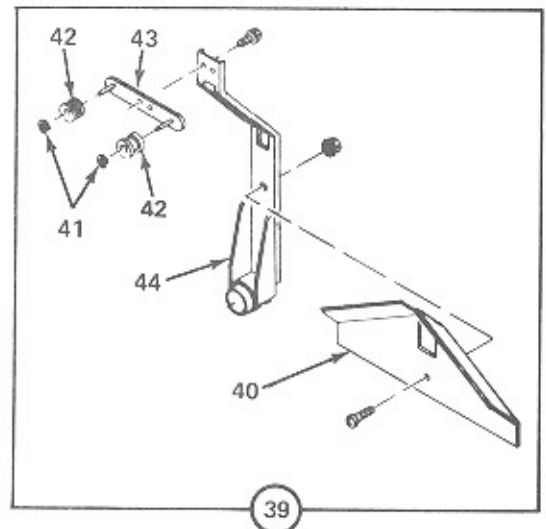
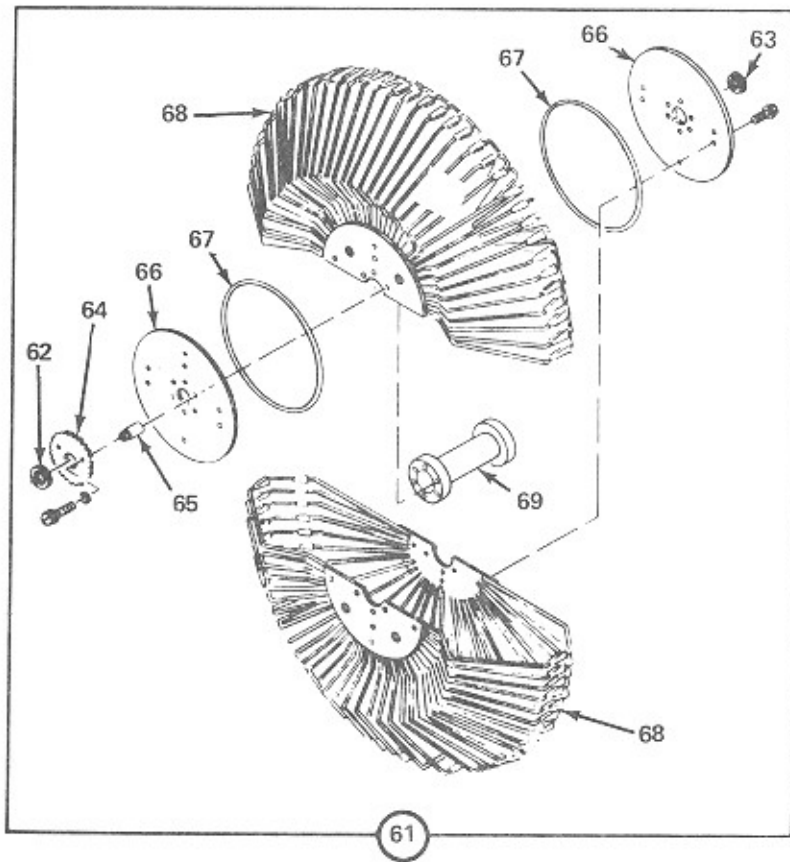


FIG. AND INDEX NO.	ROWE PART NO.	DESCRIPTION	QTY. PER ASSY
5-	6-03065-04	Mechanism Assembly (Continued)	
31	3-07489-02	. Encoder Unit Mounting Bracket	1
32	2-07545-00	. Wire Clip	4
33	2-10864-00	. Mounting Bracket	1
34	2-11014-00	. Lock Nut	2
35	2-10881-00	. Mechanism Support	2
36	2-11013-00	. Lock Nut	2
37	2-10792-00	. Trunnion Pin	2
38	2-10895-01	. Belt	1
39	3-05169-03	. Guide and Belt Support Assembly	1
40	4-05049-00	. . Record Stop	1
41	7-01430-03	. . Retaining Ring	2
42	2-03843-00	. . Roller	2
43	2-10894-00	. . Roller Bracket Assembly	1
44	3-05147-01	. . Gripper Bow Assembly	1
45	4-05390-01	. Gripper Bow and Trunnion Assembly	1
46	3-05122-00	. . Trunnion Gear	1
47	4-05013-00	. . Cam Gear	1
48	7-01430-07	. . Retaining Ring	1
49	2-12537-00	. . Roller	1
50	7-01430-03	. . Retaining Ring	1
51	7-01207-21	. . Flat Washer	2
52	2-12538-00	. . Torsion Spring	1
53	2-12536-00	. . Sleeve Bearing	1
54	2-12532-01	. . Pawl Lever and Shaft Assembly	1
55	2-13578-10	. . Stop Nut	1
56	2-10815-01	. . Cam Follower	1
57	2-10808-01	. . Inner Shoe	1
58	2-10811-00	. . Record Release Spring	1
59	3-05197-01	. . Transfer Arm and Hub Assembly	1
60	3-05121-01	. . Trunnion	1
61	6-03010-03	. Magazine Assembly	1
62	7-01460-14	. . Bearing	1
63	7-01460-01	. . Bearing	1
64	3-05191-00	. . Gear	1
65	2-11518-00	. . Spacer	3
66	3-05100-00	. . Separator Support	2
67	2-10803-00	. . Cord Ring	2
68	4-05044-02	. . Separator Assembly	2
69	3-05101-00	. . Support Spacer	1
	3-06622-03	. Mechanism Support and Spring Assembly	1
70	2-11539-00	. . Spring Support Screw Pin	4
71	2-06272-00	. . Upper Spring Support	4
72	2-06128-00	. . Mechanism Mounting Spring	4
73	3-05142-03	. . Mechanism Support Assembly	1

FIGURE 5

# Mechanism Assembly Sheet 3

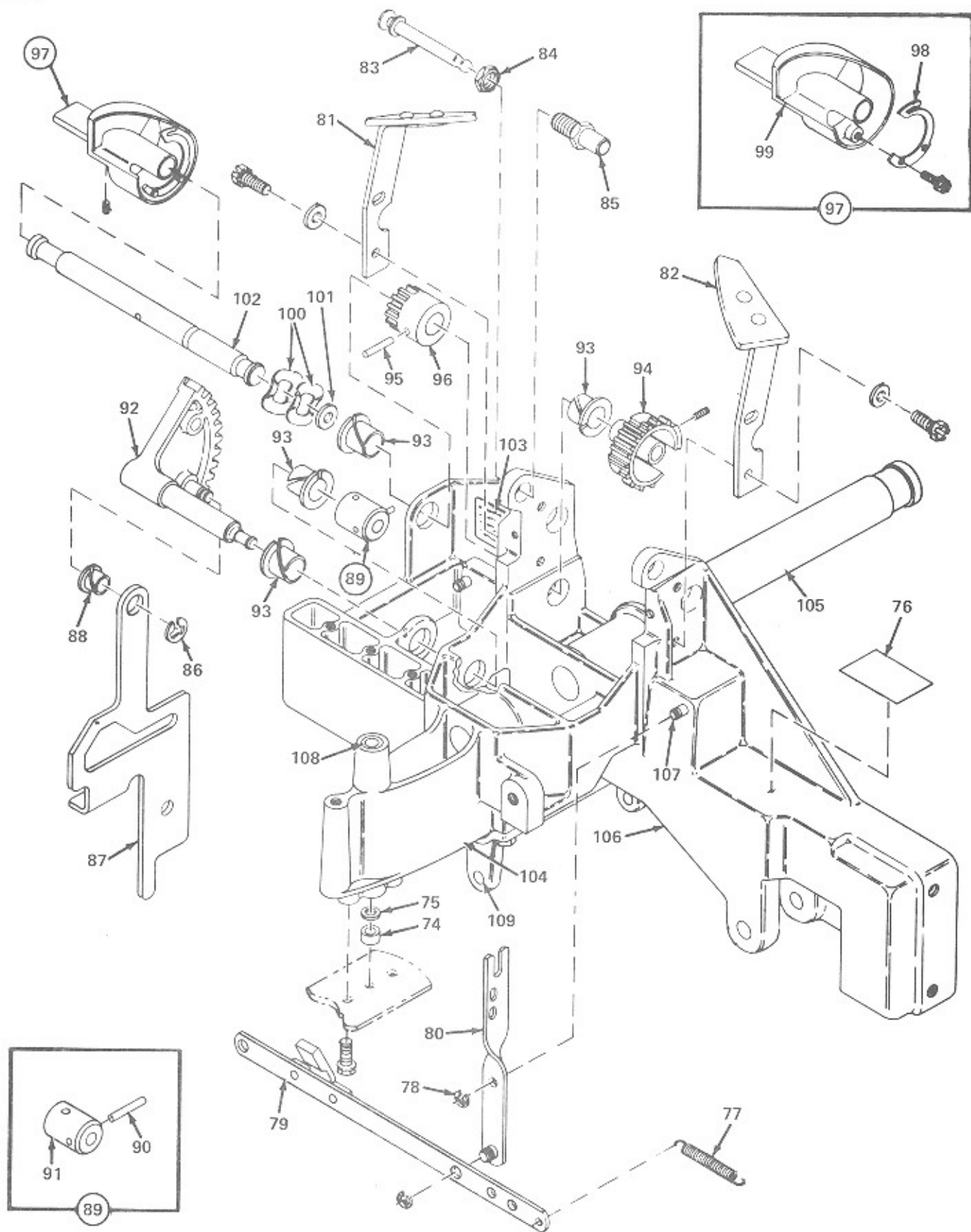


FIG. AND INDEX NO.	ROWE PART NO.	DESCRIPTION	QTY. PER ASSY
5-	6-03065-04	Mechanism Assembly (Continued)	
74	2-10866-00	. Spacer Bearing	1
75	2-10364-00	. Thrust Bearing	1
76	2-11004-04	. Mechanism Nameplate	1
77	2-10955-00	. Tension Spring	1
78	7-01430-03	. Retaining Ring	4
79	2-10823-01	. Cross Link and Stop Assembly	1
80	2-11517-01	. Link and Pin Assembly	2
81	2-11520-01	. Record Guide Assembly (L.H.)	1
82	2-11521-01	. Record Guide Assembly (R.H.)	1
83	2-11528-00	. Toggle Pin	2
84	7-01301-04	. Nut	2
85	2-10817-00	. Toggle Pin Bushing	2
86	7-01430-04	. Retaining Ring	1
87	2-10793-00	. Transfer Link	1
88	7-01460-04	. Bearing	1
89	2-10809-01	. Collar and Pin Assembly	
90	7-01101-20	. . Roll Pin	1
91	2-10799-00	. . Collar	1
92	2-10800-01	. Segment Gear and Shaft Assembly	1
93	7-01460-05	. Bearing	4
94	4-05014-00	. Trunnion and Cam Drive Gear	1
95	7-01130-19	. Roll Pin	1
96	2-14175-00	. Cam Shaft Gear	1
97	2-10892-01	. Tone Arm Cam Assembly	1
98	2-10909-00	. . Spring	1
99	4-05008-00	. . Cam	1
100	7-01225-33	. Wave Washer	2
101	7-01208-25	. Plain Washer	1
102	2-10791-00	. Trunnion Drive Shaft	1
103	2-12665-00	. Label	1
104	4-05003-04	. Base Assembly	1
105	3-05205-00	. . Shaft Support	1
106	4-05002-01	. . Base and Shaft Support Assembly	1
107	2-10729-00	. . Mounting Pin	2
108	2-10377-00	. . Bearing	2
109	7-01460-02	. Bearing	2



**FIGURE  
6**

# Tone Arm Assembly

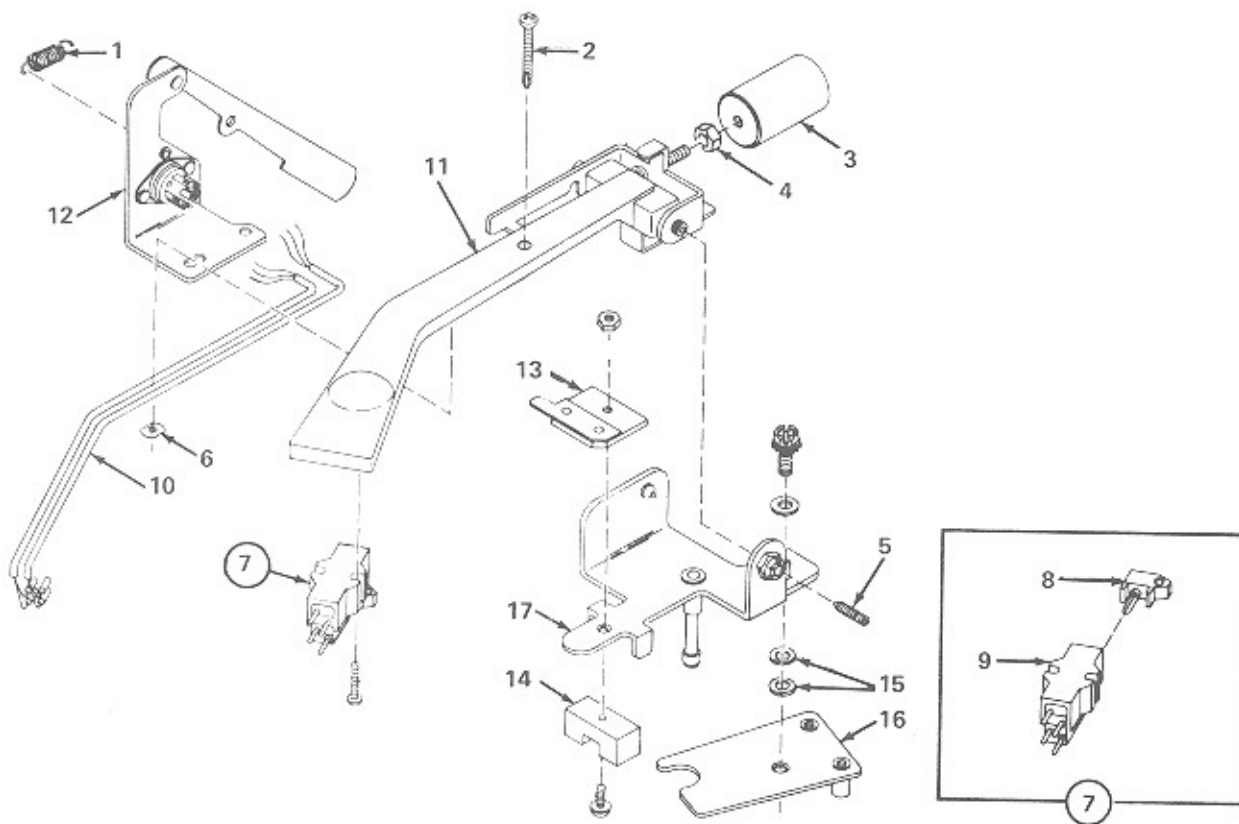


FIG. AND INDEX NO.	ROWE PART NO.	DESCRIPTION	QTY. PER ASSY
6-	3-05124-06	Tone Arm Assembly (See Figure 5, Item 6)	REF
1	2-03713-00	. Spring, Tension	1
2	2-65025-00	. Screw, Contact	1
3	2-11585-01	. Counterweight	1
4	2-13306-00	. Nut	1
5	2-10712-00	. Screw, Pivot	1
6	2-10898-00	. Nut, Push-On	3
7	2-13011-00	. Cartridge, Stereo	1
8	2-13031-00	. Stylus	1
9	2-10873-00	. Cartridge	1
10	2-10874-01	. Cable Assembly	2
11	3-05118-03	. Arm and Lever Assembly	1
12	2-10785-01	. Bracket and Lever Assembly	1
13	2-65023-01	. Blade, Contact	1
14	2-10724-00	. Magnet	1
15	7-01200-19	. Washer, Flat	AR
16	2-10727-01	. Cam Plate Assembly	1
17	2-10714-01	. Bracket and Shaft Assembly	1

# Turntable Motor and Plate Assembly

**FIGURE  
7**

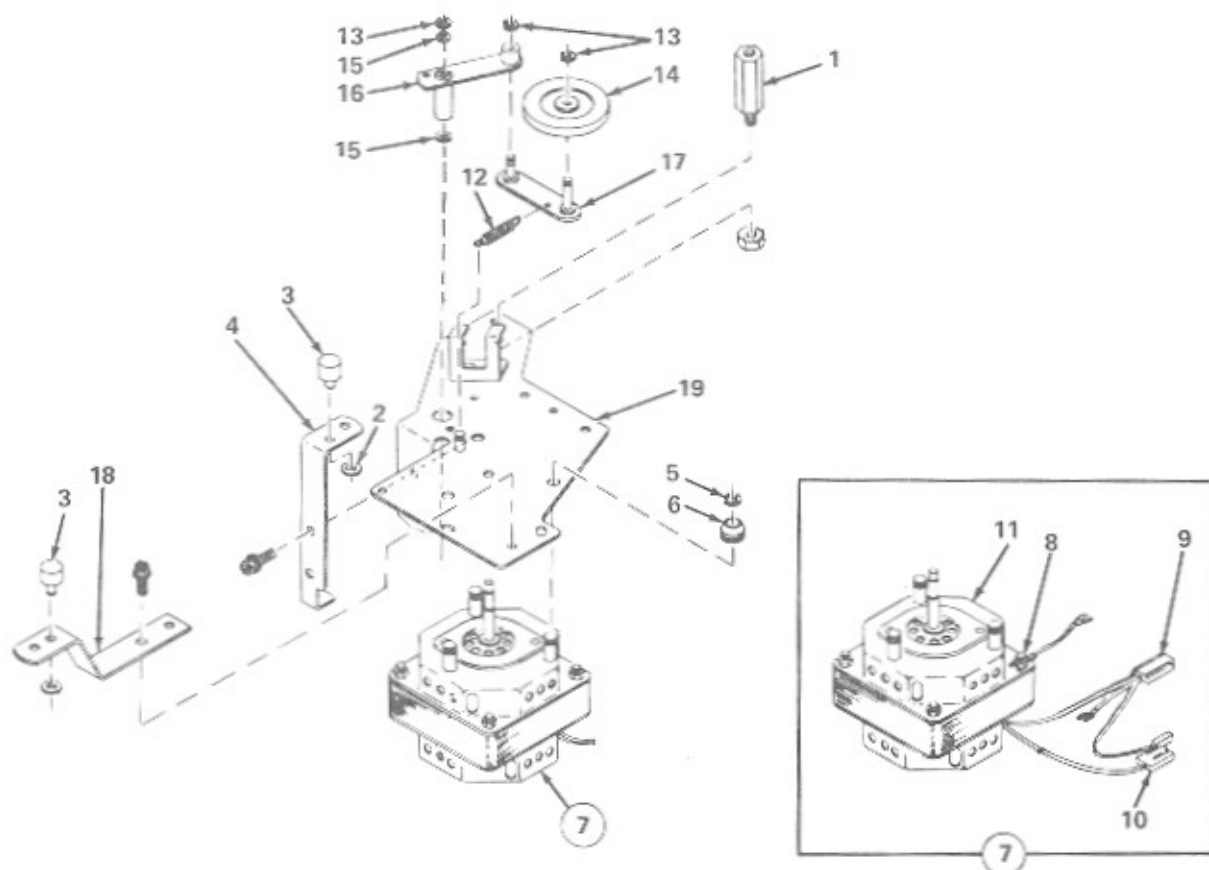


FIG. AND INDEX NO.	ROWE PART NO.	DESCRIPTION	QTY. PER ASSY
7-	4-05074-04	Turntable Motor and Plate Assembly (Figure 5, Item 12)	REF
1	2-10708-01	. Tone Arm Bearing	1
2	7-01437-02	. Retaining Ring	2
3	2-10897-00	. Gripper Bow Rest	2
4	2-10886-00	. Gripper Bow Rest Bracket (L.H.)	1
5	7-01430-12	. Retaining Ring	3
6	2-11501-00	. Grommet	3
7	3-05240-02	. Turntable Motor Assembly	1
8	2-12300-16	. . Wire and Lug Assembly	1
9	3-07490-02	. . Universal Connector Cap Housing, 3 Circuit	1
10	2-51106-01	. . Triple Receptacle (Insulated)	1
11	3-05193-02	. . Turntable Motor	1
12	2-00907-00	. Tension Spring	1
13	7-01430-01	. Retaining Ring	3
14	2-10889-01	. Idler Wheel Assembly	1
15	7-01213-12	. Washer	2
16	2-11610-01	. Link and Bushing Assembly	1
17	2-10888-01	. Link and Pin Assembly	1
18	2-10890-00	. Gripper Bow Rest Bracket (Front)	1
19	3-05189-02	. Turntable Motor Mount Assembly	1

FIGURE  
8

# Cam Switch and Motor Assembly

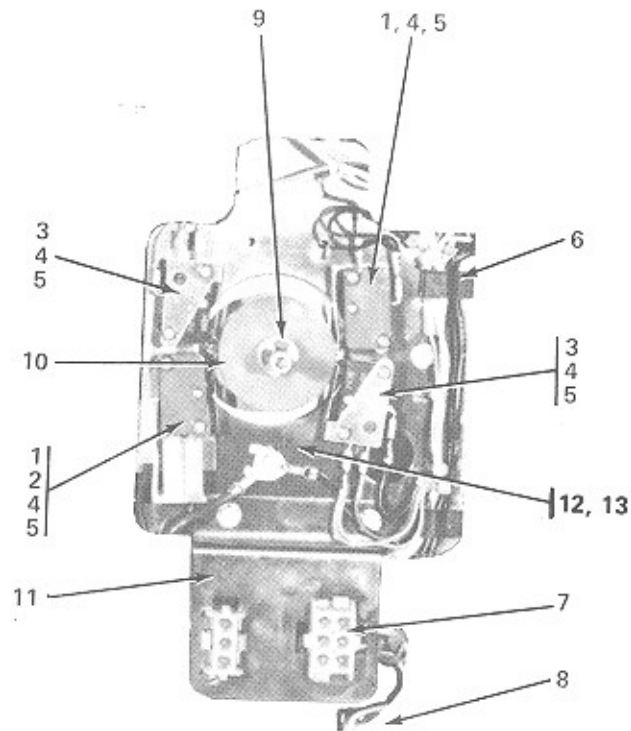
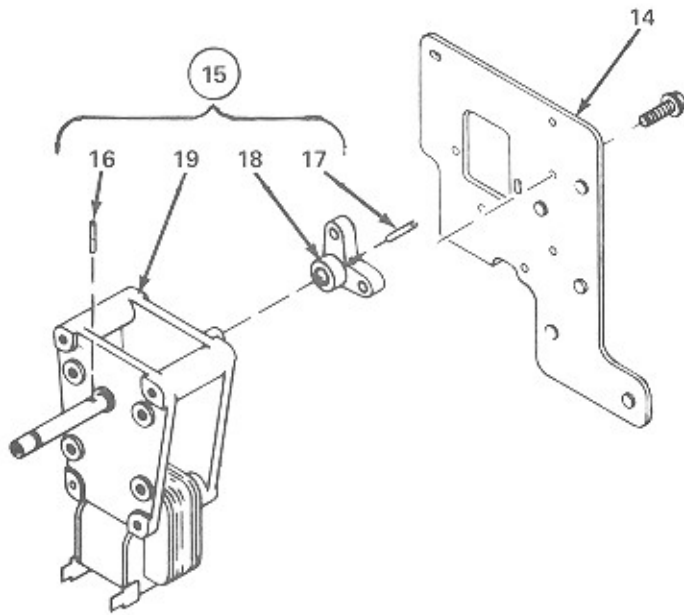


FIG. AND INDEX NO.	ROWE PART NO.	DESCRIPTION	QTY. PER ASSY
8-	4-06906-02	Cam Switch and Motor Assembly (Figure 5, Item 13)	REF
1	2-10732-00	. Switch	2
2	2-50548-00	. Insulator	1
3	2-10731-00	. Switch	2
4	2-10829-00	. Switch Actuator	4
5	2-10830-00	. Twin Nut	4
6	2-07545-00	. Wire Clip	3
	6-07687-01	. Mechanism Harness Assembly	1
7	3-07490-04	. . Universal Connector Cap Housing, 6 Circuit	1
8	7-00755-18	. . Connector Housing	1
9	7-01430-04	. Retaining Ring	1
10	3-06636-00	. Switch Cam	1
11	2-51450-04	. Housing Mounting Bracket	1
12	3-06628-00	. Switch Mounting Plate	1
13	3-06627-00	. Motor Mounting Plate	1
14	2-10833-04	. Plate and Ratchet Assembly	1
15	2-11598-01	. Motor and Crank Assembly	1
16	7-01131-06	. . Roll Pin	1
17	7-01130-19	. . Roll Pin	1
18	2-10807-02	. . Crank and Pin Assembly	1
19	4-05059-01	. . Transfer Motor Assembly	1

# Encoder Assembly

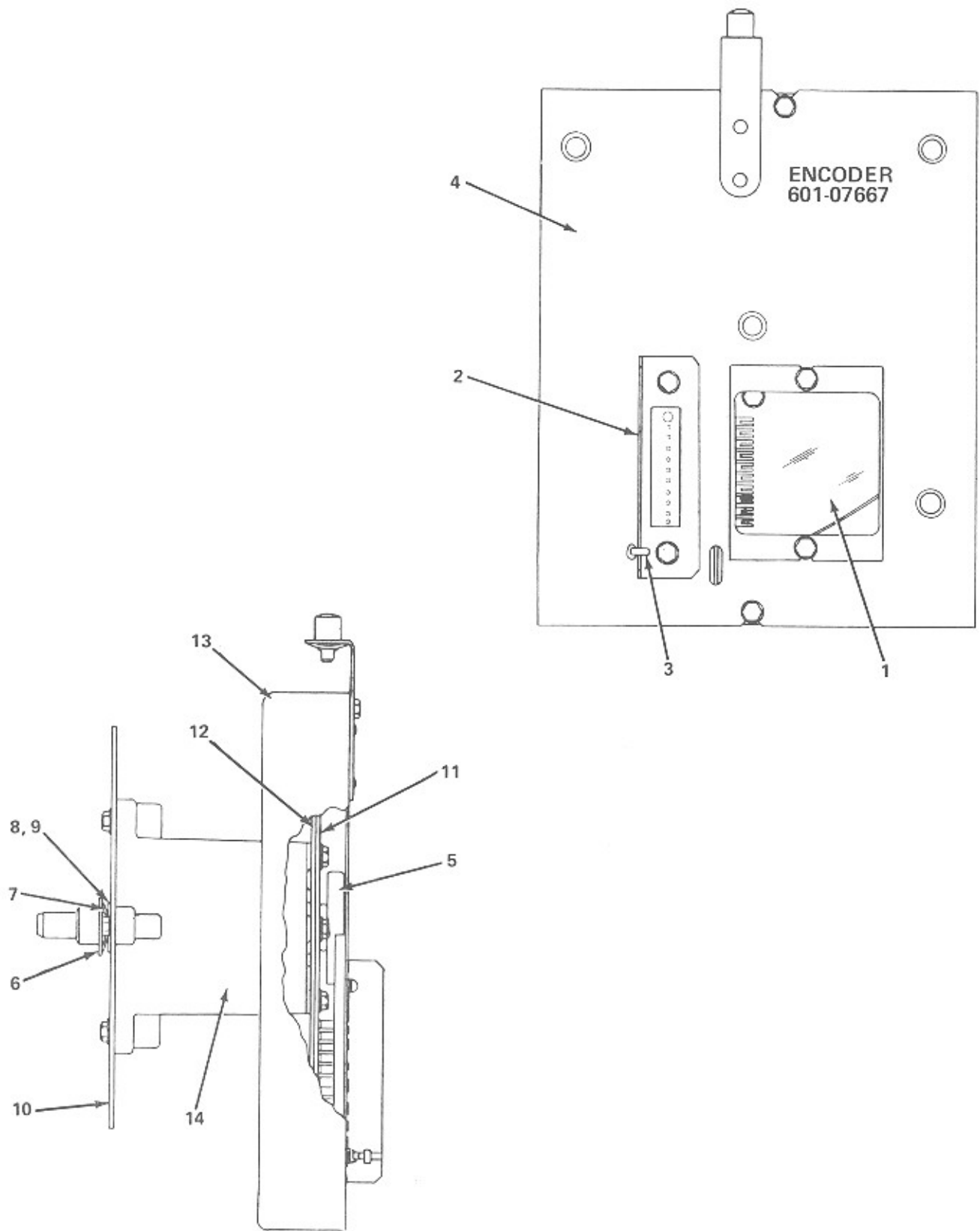


FIG. AND INDEX NO.	ROWE PART NO.	DESCRIPTION	QTY. PER ASSY
9-	6-07667-01	Encoder Assembly (Figure 5, Item 14)	REF
1	2-17597-01	. Window	1
2	2-17598-01	. Cover	1
3	7-08001-01	. Cable Tie	1
4	4-06879-01	. Shaft and Base Assembly	1
5	3-07498-01	. Brush Block Assembly	1
6	7-01430-06	. Retaining Ring	1
7	7-01225-41	. Bowed Washer	1
8	7-01209-10	. Flat Washer	1
9	7-01460-11	. Bearing	1
10	3-07477-01	. Selector Gear	1
11	3-07474-01	. Encoder Wheel	1
12	3-07473-01	. Disc	1
13	4-06875-01	. Cover	1
14	3-07610-01	. Hub Assembly	1

**FIGURE  
10**

# Sprag Assembly

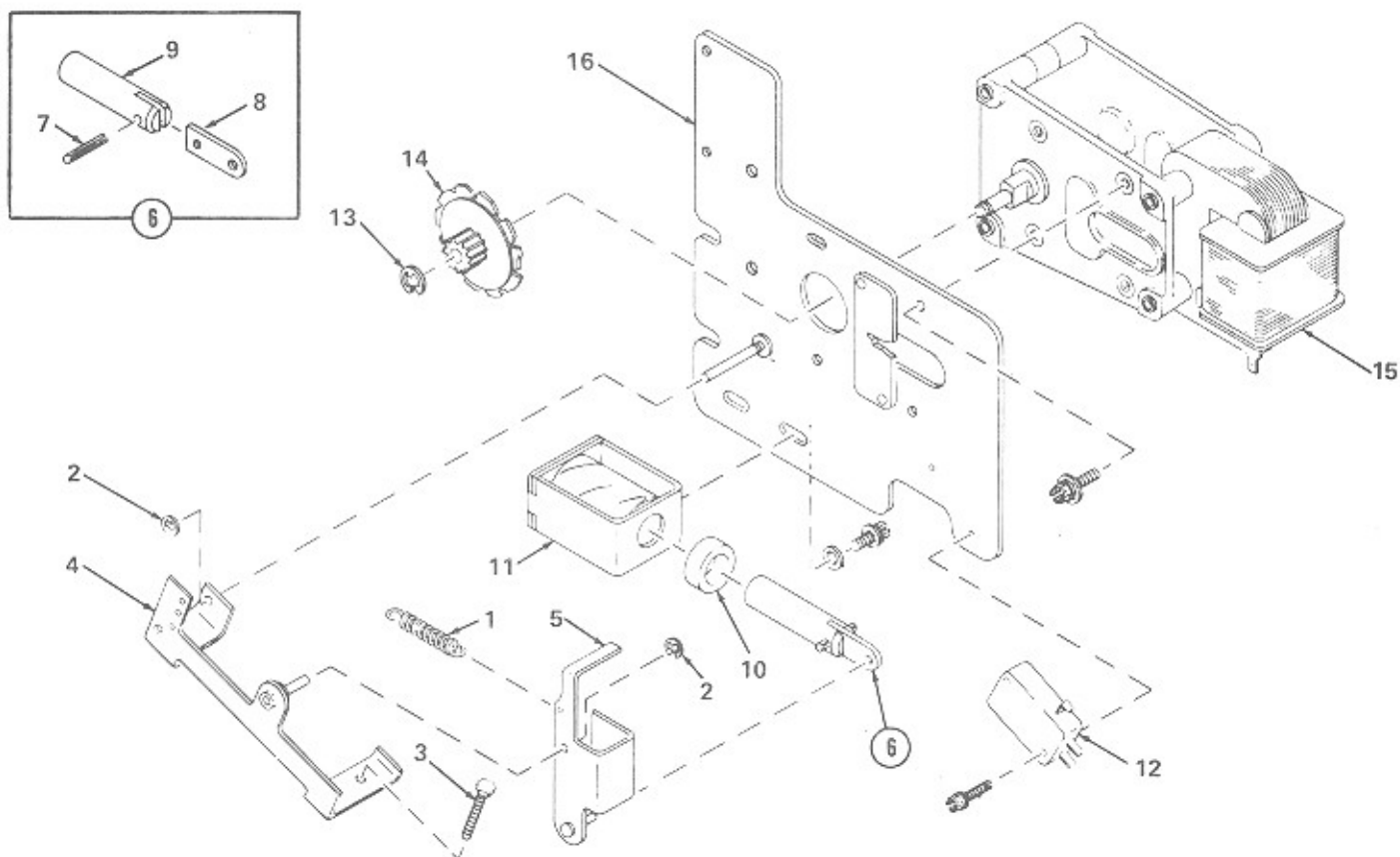


FIG. AND INDEX NO.	ROWE PART NO.	DESCRIPTION	QTY. PER ASSY
10-	4-05022-05	Sprag Assembly (Figure 5, Item 23)	REF
1	2-10843-00	. Tension Spring	1
2	7-01430-05	. Retaining Ring	2
3	2-03822-00	. Adjusting Screw	1
4	2-10855-01	. Sprag Link Assembly	1
5	2-10856-01	. Sprag Lever Assembly	1
6	2-10857-01	. Plunger Assembly	1
7	7-01130-03	. . Roll Pin	1
8	2-06226-00	. . Plunger Link	1
9	2-10848-00	. . Solenoid Plunger	1
10	2-10849-00	. Plunger Stop	1
11	2-11505-06	. Solenoid Assembly	1
12	2-10732-00	. Switch	1
13	7-01430-03	. Retaining Ring	1
14	3-05133-00	. Sprag Wheel	1
15	4-06950-01	. Magazine Motor	1
16	3-05135-01	. Sprag Bracket Assembly	1

# Output Transformer Assembly

FIGURE  
11

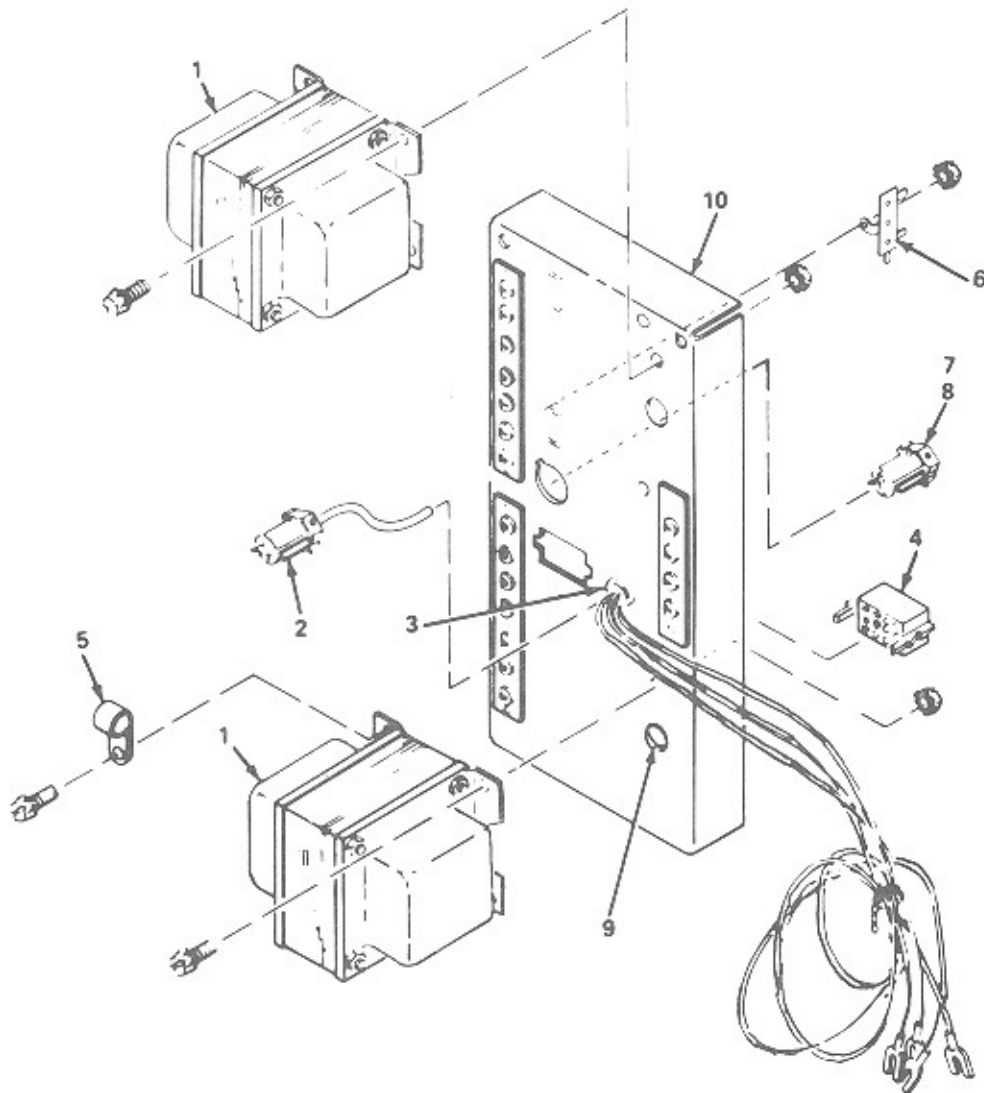


FIG. AND INDEX NO.	ROWE PART NO.	DESCRIPTION	QTY. PER ASSY
11-	4-06336-03	Output Transformer Assembly (Figure 1, Item 61)	REF
1	4-06335-01	. Output Transformer	2
	3-06327-01	. Plug and Cable Assembly	1
2	2-13541-01	. . 7 Circuit Combo-Line Cap Housing	1
3	7-02331-01	. Strain Relief	1
	3-07488-01	. Plug and Cable Assembly	1
4	3-07490-05	. . 9 Circuit Universal Connector Cap Housing	1
5	7-00931-04	. Cable Clamp	1
6	3-04225-14	. Terminal Strip	1
7	2-15373-01	. Plug and Cable Assembly	1
8	2-13540-01	. . 7 Circuit Combo-Line Plug Housing	1
9	2-02331-02	. Strain Relief	2
10	3-06260-05	. Chassis Assembly with Lettering	1



# Stereo Amplifier System Assembly

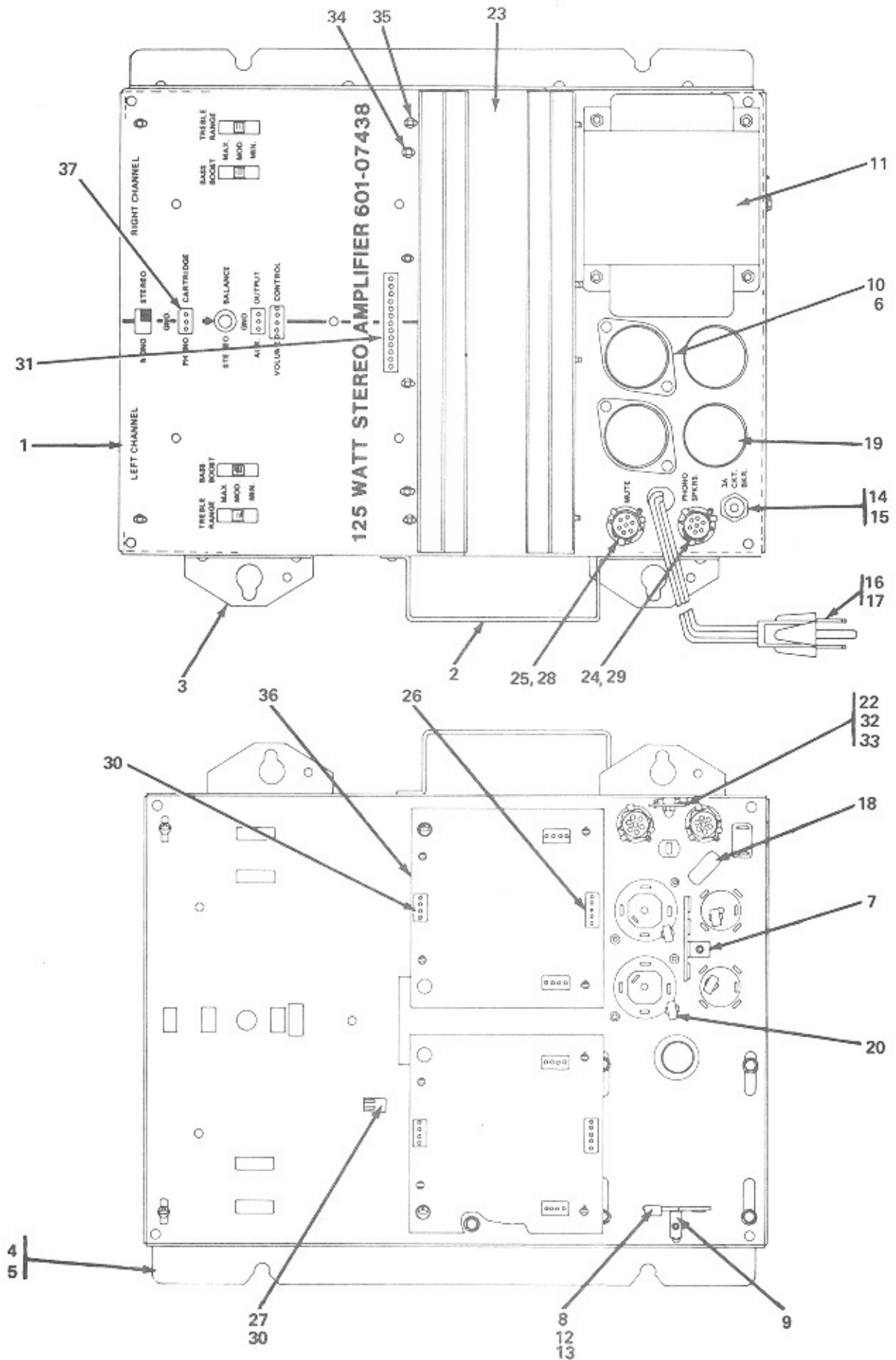


FIG. AND INDEX NO.	ROWE PART NO.	DESCRIPTION	QTY. PER ASSY
11A -	6-07438-01	Stereo Amplifier Assembly	REF
1	6-07441-01	. Chassis Assembly	1
2	2-14881-01	. Handle	1
3	2-09272-01	. Mounting Bracket	2
4	3-06273-01	. Mounting Bracket	1
5	7-01113-20	. Semi Tubular Rivet	10
6	2-13910-01	. Mounting Wafer	2
7	3-04225-26	. Terminal Strip	1
8	2-17241-01	. Terminal Strip	1
9	7-01110-26	. Semi Tubular Rivet	3
10	7-01110-07	. Semi Tubular Rivet	4
11	4-06337-01	. Power Transformer	1
12	7-00913-01	. Terminal Lug	1
13	2-50393-01	. Insulator	1
14	7-00733-17	. Circuit Breaker	1
15	7-01220-01	. Washer	1
16	7-00502-02	. 3 Conductor Cord & Plug	1
17	7-02322-05	. Strain Relief	1
18	7-00213-01	. Mylar Capacitor	1
19	2-15181-01	. Electrolytic Capacitor	4
20	7-00350-10	. Silicon Diode	4
21	6-08552-01	. Stereo Preamplifier Assembly (Not Shown) (See Schematic for Parts List page 2-63)	1
22	2-18140-02	. Self Locking Capnut	1
23	4-07151-02	. Heat Sink Assembly	1
24	2-13540-01	. Plug Housing (Combo)	1
25	2-13540-04	. Plug Housing (Combo)	1
26	7-00755-05	. Connector Housing (5 Ckt.)	2
27	7-00755-02	. Connector Housing (2 Ckt.)	1
28	7-00926-10	. Contact (Pin)	2
29	7-00926-14	. Contact (Socket)	4
30	7-00756-01	. Post Contact	16
31	7-00755-13	. Connector Housing (13 Ckt.)	1
32	7-01216-16	. Spacer	1
33	3-04254-01	. Speaker Overload Ind. Circuit Board Assembly	1
34	7-05000-04	. Circuit Board Support	8
35	7-05000-18	. Circuit Board Support	4
36	4-07101-01	. Driver Circuit Board Assembly (See Schematic for Parts List page 2-66)	2
37	7-00755-03	. Connector Housing (3 Ckt.)	1

FIGURE  
12

# Main Power Supply Assembly

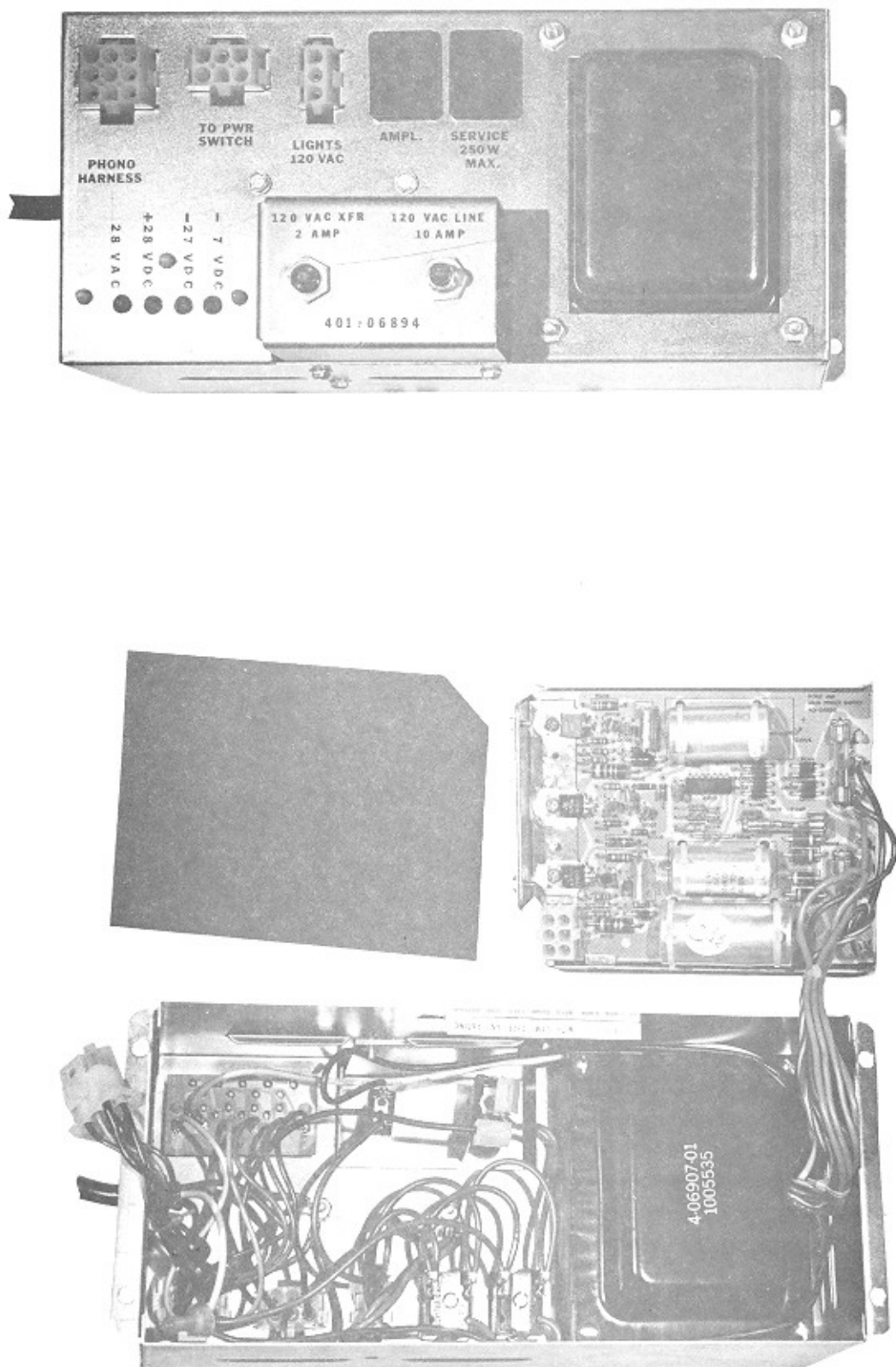


FIG. AND INDEX NO.	ROWE PART NO.	DESCRIPTION	QTY. PER ASSY
12-	4-06894-01	Main Power Supply (Figure 1, Item 50)	REF
1	2-13759-00	. 3 Wire Convenience Outlet	2
2	3-07548-01	. Circuit Breaker and Bracket Assembly	1
2	7-00734-25	. . 10 Amp Circuit Breaker	1
3	7-00733-15	. . 2 Amp Circuit Breaker	1
4	3-07549-01	. . Bracket with Lettering	1
5	3-07490-02	. 3 Circuit Universal Connector Cap Housing	1
6	3-07490-04	. 6 Circuit Universal Connector Cap Housing	1
7	3-07490-05	. 9 Circuit Universal Connector Cap Housing	1
8	2-17621-01	. 8/32 Non-Standard Hex Nut	4
9	4-06907-01	. Main Power Supply Transformer	1
10	4-06850-01	. Power Supply Circuit Board (See Power Supply Schematic in Part 2 for Parts)	1
11	2-17676-01	. Power Supply Insulator	1
12	4-06960-01	. Voltage Indicator (L.E.D.) Circuit Board (See Power Supply Schematic in Part 2 for Parts)	1
13	7-05000-04	. Circuit Board Support	3
14	7-05000-06	. Circuit Board Support	2
15	2-13778-00	. Molded Bumper	1
16	3-07546-01	. Support Plate	1
	2-17760-01	. "U" Type Speed Clip Fastener	1
17	3-07491-04	. 6 Circuit Universal Connector Plug Housing	1
18	7-02321-04	. Strain Relief	2
19	2-11212-01	. Cord Plug Assembly	1
20	2-14059-00	. Cord Hole Cover	1
21	4-06908-01	. Chassis with Lettering	1
22	2-50393-00	. Insulator	2

## Shell Assembly

FIG. AND INDEX NO.	ROWE PART NO.	DESCRIPTION	QTY. PER ASSY
13-	6-08650-01	Shell Assembly (Claremont) (Fig. 1, Item 103)	REF
13-	6-08650-02	Shell Assembly (Fiesta) (Fig. 1, Item 103)	REF
	2-15372-01	. Tee Nut (Mech. Tiedown)	2
	2-17506-05	. Vent Tube	1
	2-17506-06	. Vent Tube	1
	7-02402-01	. Wire Mesh Screen	1
	3-06257-01	. Hand Hole Cover	2
	4-06001-01	. Support Bracket Assembly	1
	2-14518-01	. Lock Spring	1
	3-06340-01	. Caster and Cup Assembly	4
	3-07819-01	. Support Rail	1