

INTRODUCTION

This parts catalog lists procurable replacement parts for the phonograph.

The purpose of this parts catalog is to locate and identify replaceable components and to supply ordering information.

DESCRIPTION

The parts catalog is divided into 15 major assemblies called "FIGURES" corresponding to the illustrations used. In some instances major assemblies require more than one illustration to identify the procurable parts. In this case sheet numbers are assigned to the figure.

Parts of riveted or welded units are not listed since repair of these parts is normally impractical in the field, however, these parts are available as assemblies.

To be sure that this parts catalog contained the latest information, last minute revisions were made. In these instances the additions were added in sequence with a letter added to the identification numbers both in the parts list and corresponding illustrations. That is 1A, 1B, 1C, etc.

The Parts List contains four columns:

Fig and Index No. - The first entry in this column lists the figure number of the corresponding illustration. An index number when listed corresponds to the index number appearing on the illustration. Index numbers are not used when:

- Items are listed for reference purposes only.
- The item listed is an alternate part.

Rowe Part No. - This column lists the part number of the item which should be specified for ordering purposes.

Description - This column contains a brief word description of the assembly or part. Each item is indented to show its proper relationship to the unit of which it is a part or to its next higher assembly.

Qty. Per Assy. - This column contains the quantity of the part used in the assembly. When a figure covers more than one model of an assembly, the "Qty. Per Assy." column is divided to show each model.

ORDERING REPLACEMENT PARTS

All replacement parts must be ordered directly from an authorized ROWE Distributor.

Once the replacement item is determined, complete a standard parts order form available from your ROWE distributor at no charge. Very often parts orders are delayed, because of inadequate or incomplete information. To insure prompt parts delivery always specify the following information:

- Part Number and Description. State color if applicable.
- Quantity required.
- Model and Serial Number of machine for which the repair part is needed.
- Complete shipping address including ZIP code.
- Shipping Instructions must be specified. If the shipping method selected is Parcel Post, Air Parcel Post, United Parcel Service or Air UPS, indicate an alternate shipping method if there is a possibility the packages may exceed the size and weight limits established by these services. If you would like ROWE to select the best way to ship your parts order, specify "BEST WAY". If fastest delivery is the requirement, specify "FASTEST WAY". ROWE will select the carrier for those orders which justify shipment by truck.

FIGURE 1

R-84 Phonograph Final Assembly Sheet 1

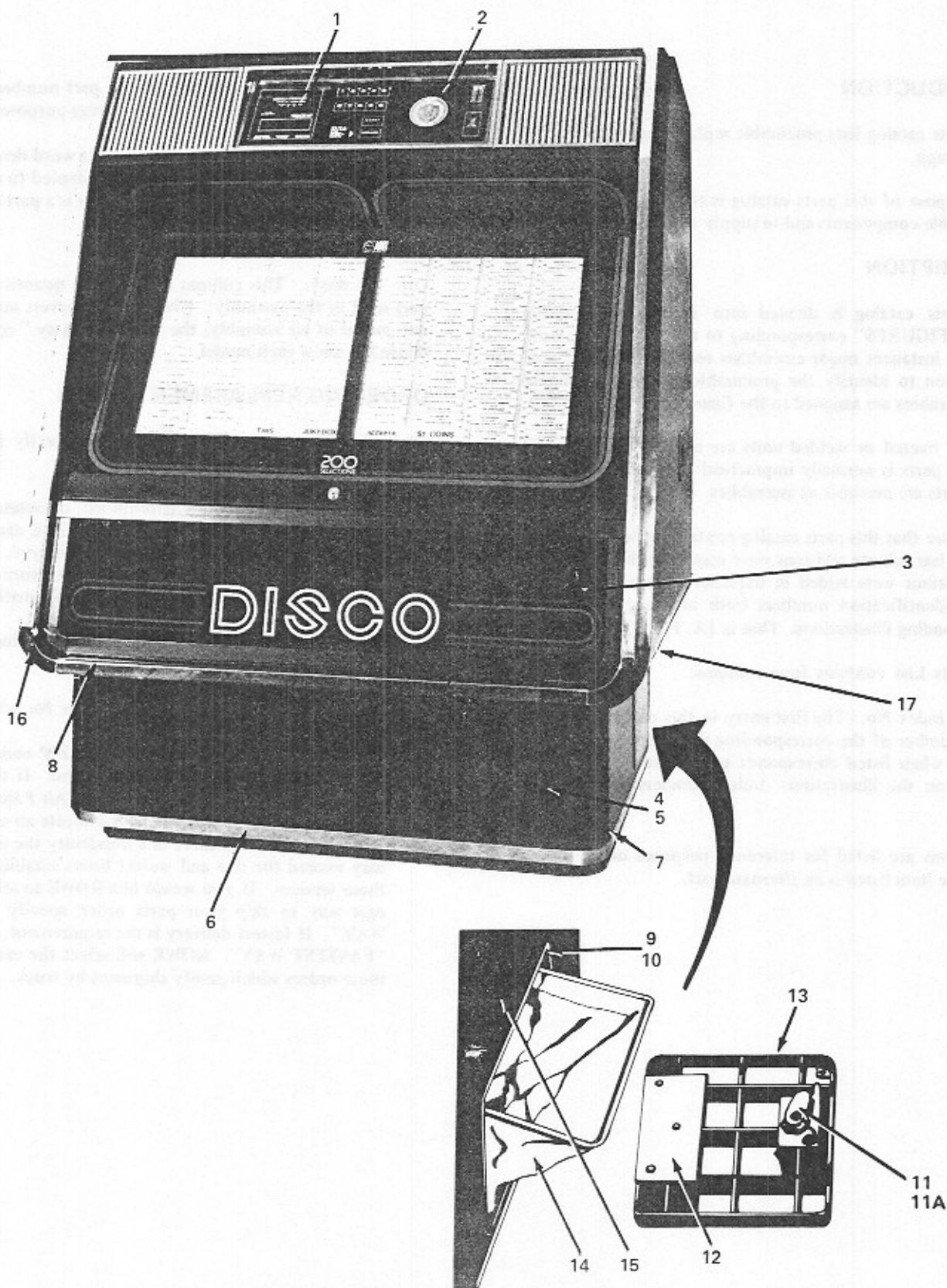


FIG. AND INDEX NO.	ROWE PART NO.	DESCRIPTION	QTY. PER ASSY
1-	6-08900-01	R-84 Phonograph Final Assembly (Wood)	
1-	6-08900-02	R-84 Phonograph Final Assembly (Disco)	
1-	6-08900-03	R-84 Phonograph Final Assembly (Jukebox)	
	2-18333-02	. Pricing Accessories Bag (Not Shown)	1
	2-17305-12	. Accessories Bag Containing: (Not Shown)	1
	2-11988-01	. . Accessories Bag	1
	7-00926-10	. . Contact (Pin)	3
	7-00926-11	. . Contact (Socket)	3
	700975-01	. . Contact (Pin)	6
	7-00975-02	. . Contact (Socket)	6
	7-00756-01	. . Contact (Post)	10
	7-00910-12	. . Terminal Lug	10
	7-00720-18	. . Fuse (5 Amp)	2
	7-00721-22	. . Fuse (3 Amp)	1
1	3-08385-01	. Price Card	1
	6-07681-04	. Universal Price Selection Card (Not Shown)	1
2	2-18214-01	. Bill Acceptor Blockout Assy. (Covers Opening when no B.A. is Used) (Wood)	1
	2-18214-02	. Bill Acceptor Blockout Assy. (Covers Opening when no B.A. is Used) (Disco & Jukebox)	1
3	6-08966-01	. Front Door Assembly (Wood) (See Figure 2)	1
	6-08966-02	. Front Door Assembly (Disco)	1
	6-08966-03	. Front Door Assembly (Jukebox)	1
4	4-07360-01	. Lower Grille (Wood)	1
	4-07360-02	. Lower Grille (Disco & Jukebox)	1
5	2-17820-02	. Bottom Grille Foam Pad	1
	2-17806-03	. Acoustical Pad (Not Shown - Mounted Behind Lower Grille)	1
6	4-07350-01	. Front Base Trim	1
7	3-07825-01	. Side Base Trim	2
8	6-08962-01	. Lower Front Trim	1
9	4-05276-16	. Cash Box Door Frame (Wood)	1
9	4-05276-05	. Cash Box Door Frame (Disco & Jukebox)	1
10	2-11449-01	. "U" Type Speed Clip	1
	2-11866-12	. Cash Box Door Assembly (Wood)	1
	2-11866-05	. Cash Box Door Assembly (Disco & Jukebox)	1
11	7-01600-16	. . Cylinder Lock	1
11A	2-06695-01	. . Lock Support	1
12	2-07703-01	. . Catch Bracket	1
13	6-03267-18	. . Cash Box Door (Wood)	1
13	6-03267-05	. . Cash Box Door (Disco & Jukebox)	1
14	3-07026-01	. Cash Bag	1
15	4-06495-03	. Cash Bag Support (Inside Cabinet)	1
16	4-07354-01	. Lower Corner Trim(LH)	1
	4-07355-01	. Lower Corner Trim (RH)	1
17	6-08955-02	. Panel Rocker (LH) (Disco & Jukebox)	1
	6-08957-01	. Rocker Panel Assembly (LH) (Wood)	1
	6-08956-02	. Panel Rocker (RH) (Disco & Jukebox)	1
	6-08958-01	. Rocker Panel Assembly (RH) (Wood)	1

FIGURE
1

R-84 Phonograph Final Assembly Sheet 2

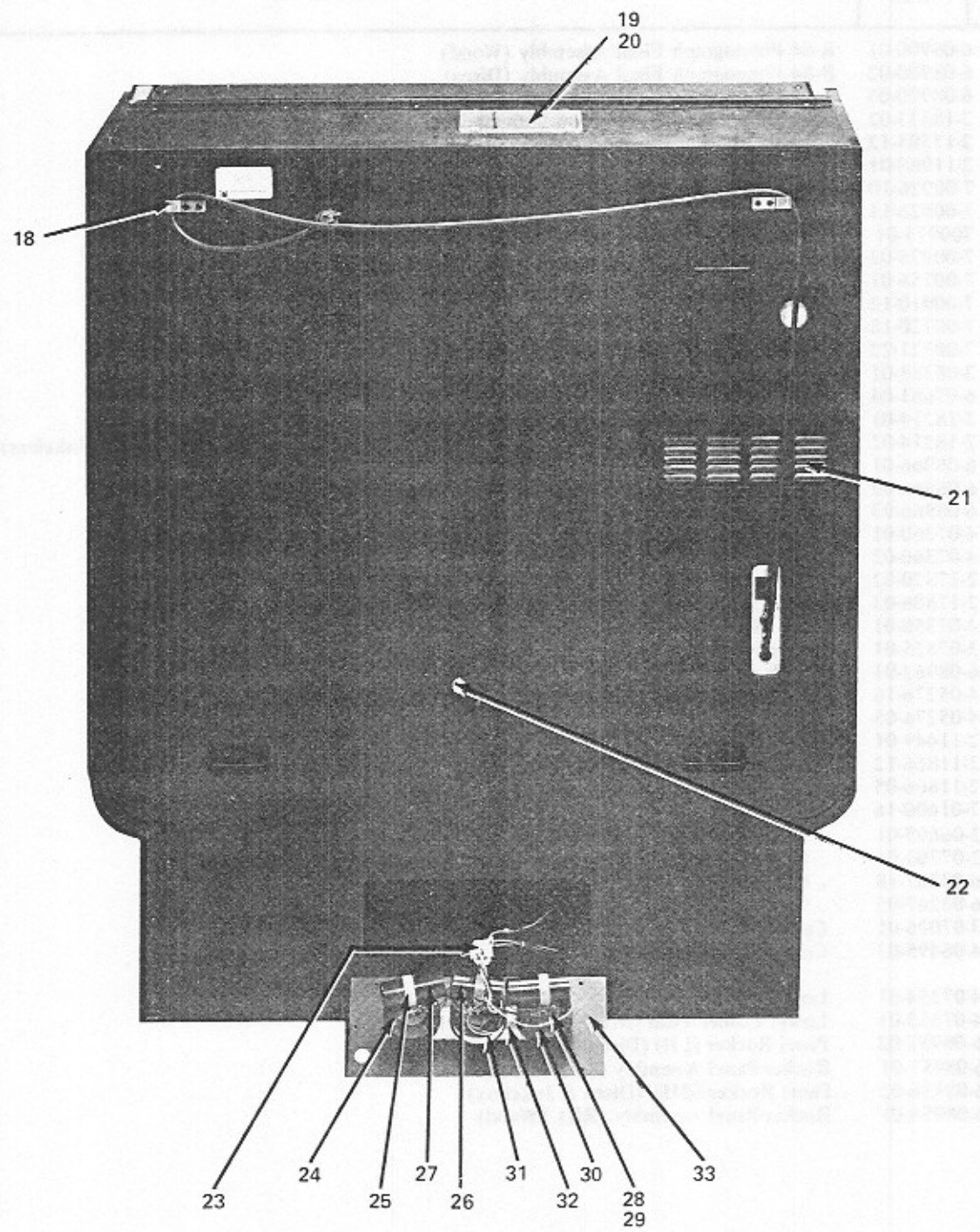


FIG. AND INDEX NO.	ROWE PART NO.	DESCRIPTION	QTY. PER ASSY
1-	6-08900-01	R-84 Phonograph Final Assembly (Wood) (Continued)	
1-	6-08900-02	R-84 Phonograph Final Assembly (Disco) (Continued)	
1-	6-08900-03	R-84 Phonograph Final Assembly (Jukebox) (Continued)	
18	2-08795-01	. Retainer Bracket (Mounted on Rear of Phonograph)	2
19	4-07494-01	. License Holder	1
20	2-06911-01	. Knurled Truss Head Bolt	4
21	3-07826-01	. Louver	1
22	2-12652-03	. Tie Down Plate Assembly	1
	4-07160-03	. Speaker Network Assembly	1
23	3-07491-05	. Plug Housing (9 Ckt.)	1
	7-00975-01	. Contact	9
24	3-04225-14	. Terminal Strip	3
25	7-00931-12	. Cable Clamp	3
26	3-07722-07	. 43/53 MFD Electrolytic Capacitor, 50V (G.E. Type 35F; Sprague Type 9A)	1
27	3-07722-02	. 17/21 MFD Electrolytic Capacitor, 50V (G.E. Type 35F; Sprague Type 9A)	2
28	7-01211-10	. Spacer	3
	7-08001-07	. Cable Tie	2
29	7-01200-04	. Flat Washer	3
30	2-10586-01	. 7 mH Inductor	2
31	2-10641-01	. 8 mH Inductor	1
32	2-18003-01	. Spacer Block - Cross over	1
33	3-07877-01	. Network Panel	1

**FIGURE
1**

R-84 Phonograph Final Assembly Sheet 3

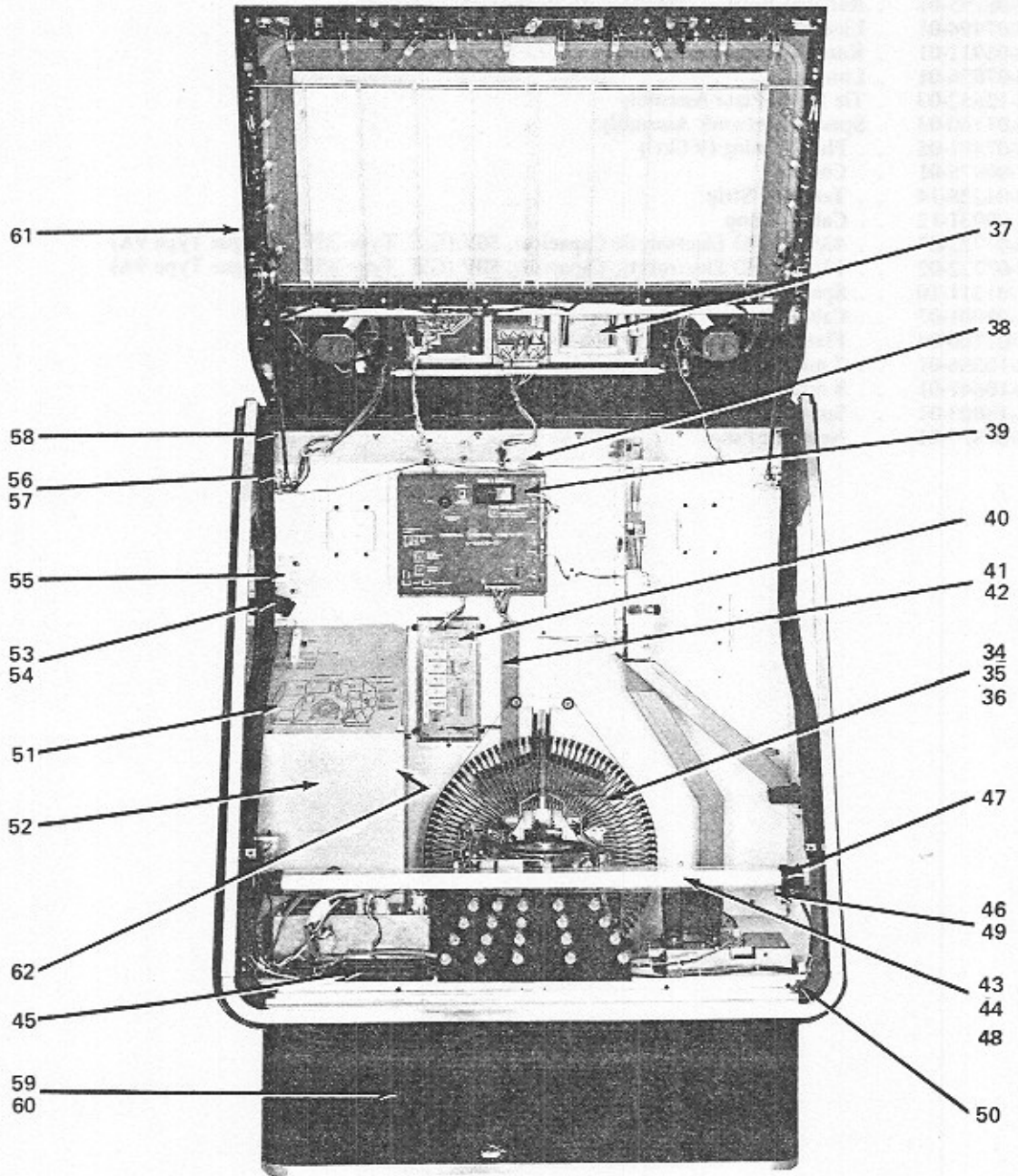


FIG. AND INDEX NO.	ROWE PART NO.	DESCRIPTION	QTY. PER ASSY
I-	6-08900-01	R-84 Phonograph Final Assembly (Wood) (Continued)	
I-	6-08900-02	R-84 Phonograph Final Assembly (Disco) (Continued)	
I-	6-08900-03	R-84 Phonograph Final Assembly (Jukebox) (Continued)	
34	6-08700-01	. Mechanism Assembly (See Figure 12)	1
35	2-11537-01	. Lower Spring Support	4
36	2-12036-01	. Mech Tie Down Bolt	2
37	2-18200-01	. Blockout Retainer (Wood)	1
38	2-15790-01	. Wing Nut	4
39	6-08870-01	. Central Control Computer (See Figure 10)	1
39	2-18258-01	. Central Control Computer Support Bracket	2
40	4-07380-01	. Pricing Assembly	1
	6-08878-02	. . Circuit Board Assembly (See Schematic for P.L.)	1
	4-07392-01	. . Pricing Board Mounting Plate Assembly	1
	4-07393-01	. . Pricing Board Cover	1
	7-01216-16	. . Spacer	2
	3-08386-01	. . Insulator	1
41	3-07058-03	. Harness Channel	1
42	2-15789-04	. Harness Cover	1
43	7-00601-12	. Fluorescent Lamp, 36 inches, 30 W, Type T-8	2
44	2-17982-01	. Fluorescent Lamp Sleeve	1
	4-07384-01	. Lower Light Harness Assembly	1
	3-07490-02	. . Cap Housing (3 Ckt.)	1
	7-00975-03	. . Contact	3
45	2-15693-01	. . Ballast, 30W (Univ. Mfg. Co. 393B; Robertson Transformer Co. S-30-5/6P)	1
	7-00921-07	. . Solderless Connector	3
46	2-00295-01	. . Starter Socket	1
47	2-15808-15	. . Fluorescent Lampholder (RH)	1
	2-15808-18	. . Fluorescent Lampholder (LH)	1
48	2-18212-02	. . Lamp Bracket	2
	7-08001-01	. . Wire Tie	12
	7-00916-02	. . Terminal Lug	3
49	7-00800-04	. Fluorescent Starter, FS-4	2
50	2-18263-01	. Corner Pad	2
51	4-07381-01	. Amplifier Cover Assembly	1
52	3-08378-01	. Amplifier Panel	1
53	2-17518-01	. Spring Catch	1
54	2-18235-01	. Spring Catch Mounting Bracket	1
55	2-17593-01	. Cord Hole Cover	2
56	3-08377-01	. Pivot Bracket	2
57	2-17976-01	. Ball Stud	2
58	4-07149-02	. Pneumatic Spring	2
59	4-07374-01	. Low Frequency Speaker (Behind Grille)	2
60	2-17807-01	. Speaker Retaining Bracket	8
61	6-08965-01	. Top Door Assembly (Wood) (See Figure 3)	1
61	6-08965-02	. Top Door Assembly (Disco & Jukebox) (See Figure 3)	1
62	4-07377-01	. Enclosure Panel Assembly	1

FIGURE 1

R-84 Phonograph Final Assembly Sheet 4

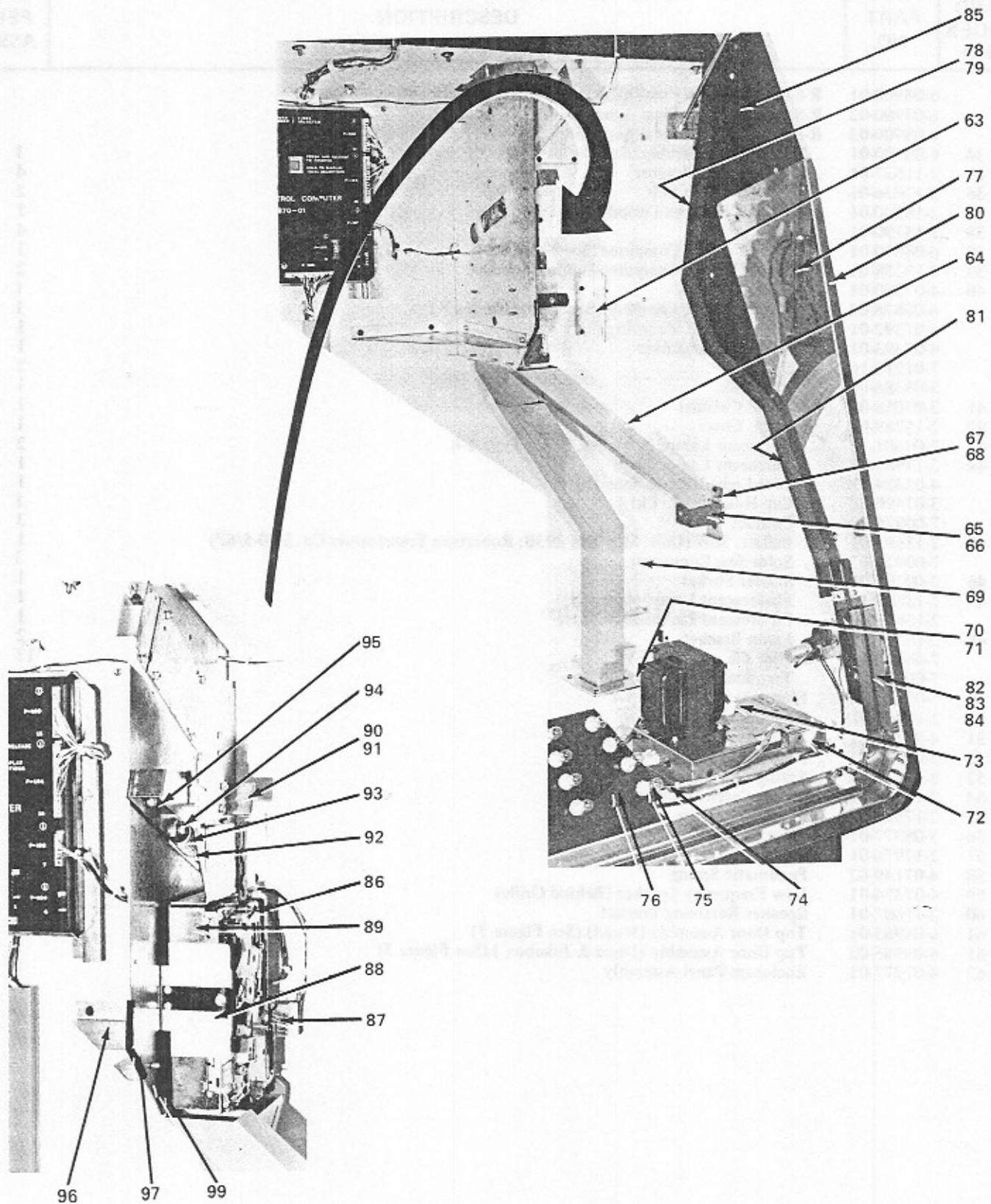


FIGURE
1

FIG. AND INDEX NO.	ROWE PART NO.	DESCRIPTION	QTY. PER ASSY
1-	6-08900-01	R-84 Phonograph Final Assembly (Wood) (Continued)	
1-	6-08900-02	R-84 Phonograph Final Assembly (Disco) (Continued)	
1-	6-08900-03	R-84 Phonograph Final Assembly (Jukebox) (Continued)	
63	2-17901-02	. Hinge Support (Not on Bill Acceptor Model)	1
64	3-08374-01	. Slug Chute Assembly	1
65	2-17930-01	. Slug Cup Bracket	2
66	2-13578-02	. Elastic Stop Nut	1
67	2-17929-01	. Slug Cup Door	1
68	3-07817-03	. Slug Cup (Wood)	1
68	3-07817-02	. Slug Cup (Disco & Jukebox)	1
69	4-06767-03	. Lower Coin Chute Assembly	1
70	3-07437-01	. Coin Chute Collar	1
71	2-17544-01	. Coin Chute Gasket	1
72	4-07169-01	. Disco Control Assembly (Disco) (See Figure 5)	1
73	4-07395-01	. Disco Harness Assembly (Disco)	1
	3-07491-01	. Plug Housing (2 Ckt.)	1
	3-07491-04	. Plug Housing (6 Ckt.)	2
	3-07490-04	. Cap Housing (6 Ckt.)	1
	7-08001-07	. Cable Tie	36
	6-08982	. Lower Lamp Harness Assembly (Disco)	1
74	2-18246-01	. Lamp (Type 904)	20
75	2-18245-02	. Lamp Socket	20
76	4-07397-01	. Lamp Bracket	1
	7-08001-01	. Cable Tie	2
	3-07490-04	. Cap Housing (6 Ckt.)	1
	6-08986-01	. Filler Panel Assembly (RH)	1
	6-08985-01	. Filler Panel Assembly (LH)	1
77	4-07376-01	. Side Inlay (RH)	1
77	4-07375-01	. Side Inlay (LH)	1
78	3-08396-01	. Light Block (RH) Upper	1
78	3-08395-01	. Light Block (LH) Upper	1
79	7-02204-35	. Foamed Tape	1
80	4-07361-01	. Trim Edge	1
81	3-08394-01	. Light Block (RH) Lower	1
81	3-08393-01	. Light Block (LH) Lower	1
82	3-08389-01	. Front Door Retainer (RH)	1
82	3-08388-01	. Front Door Retainer (LH)	1
83	2-17300-01	. Fall Stop Hook	1
84	2-18265-01	. Light Block Pad (RH)	1
84	2-18264-01	. Light Block Pad (LH)	1
85	6-08984-01	. Filler Panel (RH)	1
85	6-08983-01	. Filler Panel (LH)	1
86	4-07156-01	. Slug Rejector (5¢, 10¢, 25¢, 50¢)	1
86	4-07156-02	. Slug Rejector (5¢, 10¢, 25¢, \$1.00)	ALT
86	4-06962-02	. Slug Rejector (3 Coin Plastic)	1
	4-07038-06	. Mounting Bracket and Coin Switch Assembly	1
	2-06368-00	. Stud	1
87	3-05787-03	. Coin Switch Assembly	1
88	2-18223-01	. Slug Rej. Catch Plate	1
	2-17901-02	. Rejector Hinge	1
	2-14114-00	. Spacer (Not Used with 4-05476-00 Rejector)	1
89	4-05793-01	. Slug Rejector Mounting Bracket Assembly	1
	4-07372-01	. Support & Coin Chute Assembly	1
90	2-12562-01	. Spring	1
91	2-18221-01	. Slug Rejector Actuator	1
	2-51569-04	. Shoulder Washer	1
92	2-17556-02	. Scavenge Link	1
93	2-17656-01	. Spring	1
94	2-09225-02	. Spacer	4
95	2-18222-01	. Scavenge Shaft	1
96	3-08380-01	. Gusset	1
97	2-18256-01	. Support Guard	1
98	3-08370-01	. Coin Chute Assembly (Upper)	1
	2-17901-02	. Support Hinge	1
	2-14295-01	. Catch Assembly	1
99	4-07371-01	. Slug Rejector Support	1

**FIGURE
1**

R-84 Phonograph Final Assembly

Sheet 5

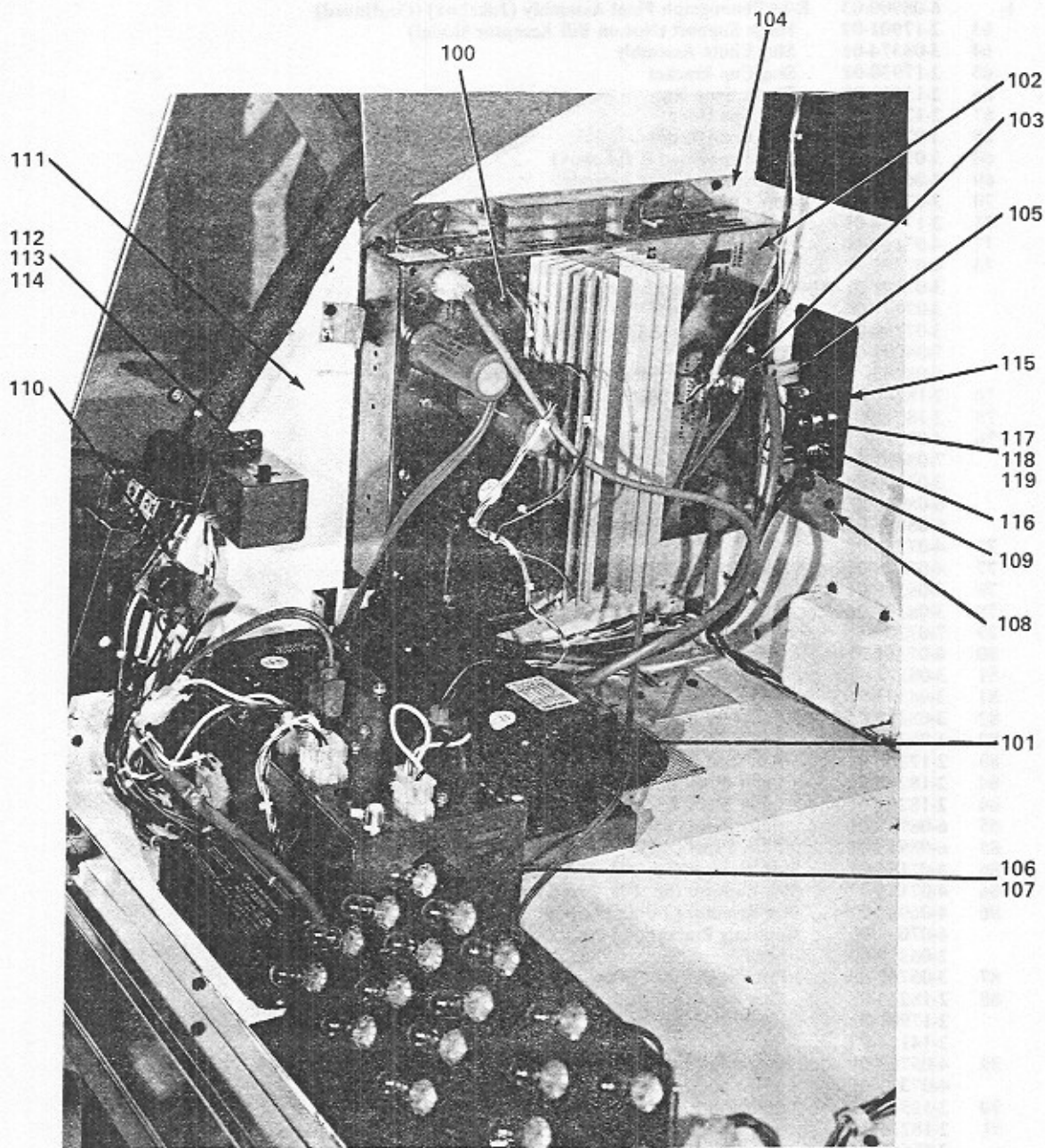


FIG. AND INDEX NO.	ROWE PART NO.	DESCRIPTION	QTY. PER ASSY
1-	6-08900-01	R-84 Phonograph Final Assembly (Wood) (Continued)	
1-	6-08900-02	R-84 Phonograph Final Assembly (Disco) (Continued)	
1-	6-08900-03	R-84 Phonograph Final Assembly (Jukebox) (Continued)	
100	6-07439-02	. . . 125 Watt Stereo Amplifier and Transformer Assembly	1
101	4-06336-03	. . . 125 Watt Output Transformer Assembly (See Figure 9)	1
102	6-07438-02	. . . 125 Watt Stereo Amplifier Assembly (See Figure 7)	1
103	3-08324-01	. . . Tone Arm Cable and Plug Assembly	1
104	4-02426-01	. . . Amplifier Mounting Bracket Assembly	1
105	3-07863-06	. . . Plug and Switch Assembly	1
	3-07857-01	. . . S.P.S.T. Rocker Switch (Carling Switch No. TGA0411-TB-B)	1
	3-07491-06	. . . Plug Housing (6 Ckt.)	1
	7-08001-01	. . . Cable Tie	1
106	4-07313-01	. . . Main Power Supply (See Figure 11)	1
107	2-09256-01	. . . Mounting Bracket	1
108	2-17951-01	. . . Cord Hole Cover	1
109	7-02321-04	. . . Strain Relief	2
110	2-17159-01	. . . Light Bracket	6
	7-01200-10	. . . Washer	1
111	6-08950-01	. . . Shell Assembly (Wood) (See Figure 6)	1
111	6-08950-02	. . . Shell Assembly (Disco & Jukebox) (See Figure 6)	1
	6-08972-01	. . . Harness and Console Assembly	1
112	2-18269-01	. . . Switch Housing Assembly	2
113	2-14994-01	. . . Insulator	1
114	7-00931-03	. . . Cable Clamp	3
	3-07491-05	. . . Plug Housing (9 Ckt.) (To Mechanism, Ext. Speaker, Power Supply)	1
	3-07490-05	. . . Cap Housing (9 Ckt.) (To Crossover Connector)	1
	2-13541-01	. . . Cap Housing (7 Ckt.) (To Phono Speakers)	1
	2-13541-04	. . . Cap Housing (7 Ckt.) (To Mute)	1
115	2-17952-01	. . . Control Plate	1
116	2-15818-01	. . . Momentary Contact Pushbutton Switch	1
	2-18005-01	. . . Jumper Assembly	1
	7-00965-06	. . . Terminal Strip (On Amplifier Cover)	1
	7-00755-05	. . . Connector Housing (5 Ckt.) (To Volume Control)	1
117	2-13935-05	. . . Volume Control and Terminal Assembly	1
118	2-01799-01	. . . Volume Control Knot	1
119	7-01355-11	. . . Nut (Mounts Volume Control)	1
	7-00991-01	. . . Self Stripping Splice	3
	7-08001-07	. . . Cable Tie	80

FIGURE
1

R-84 Phonograph Final Assembly

Sheet 6

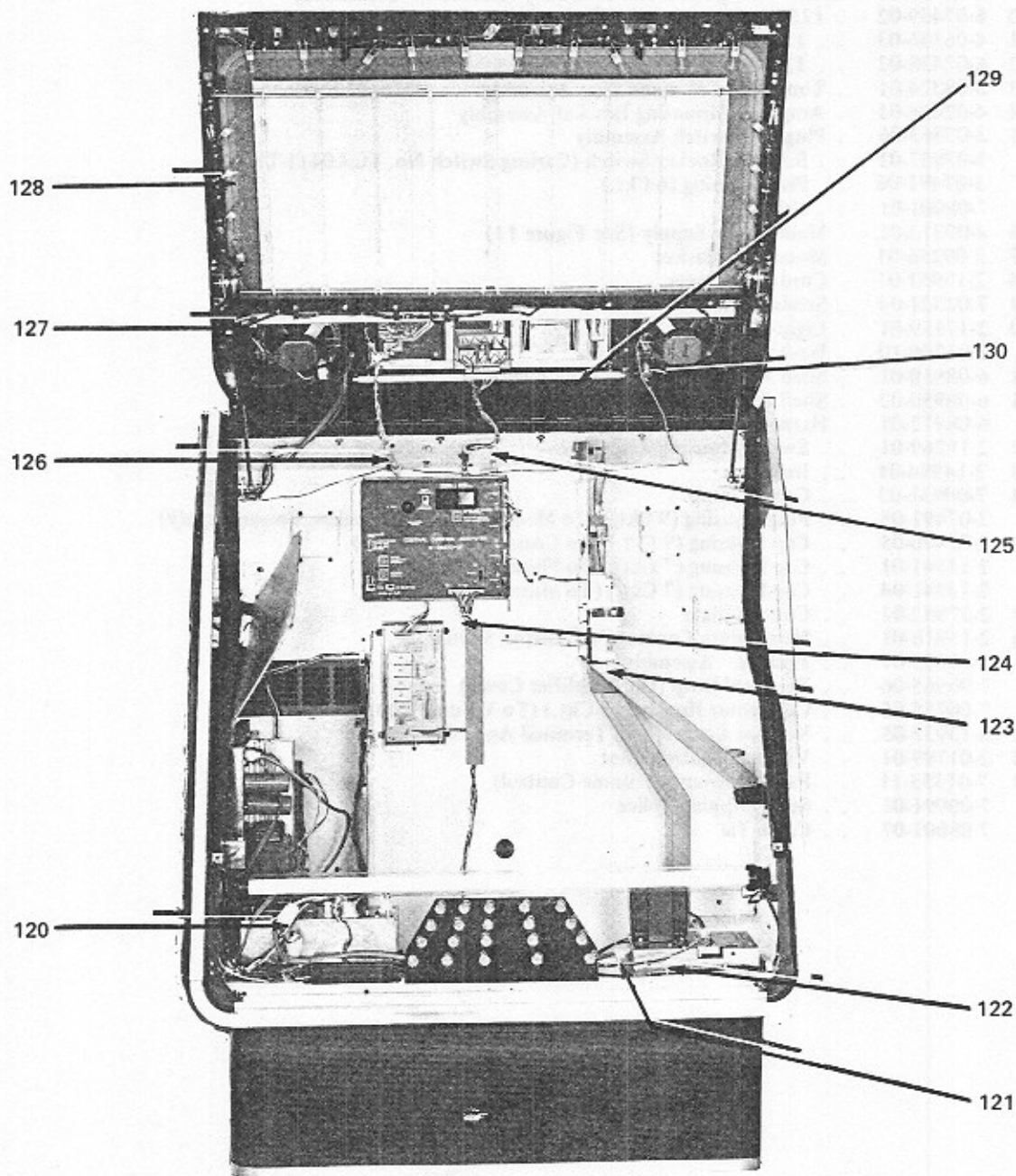
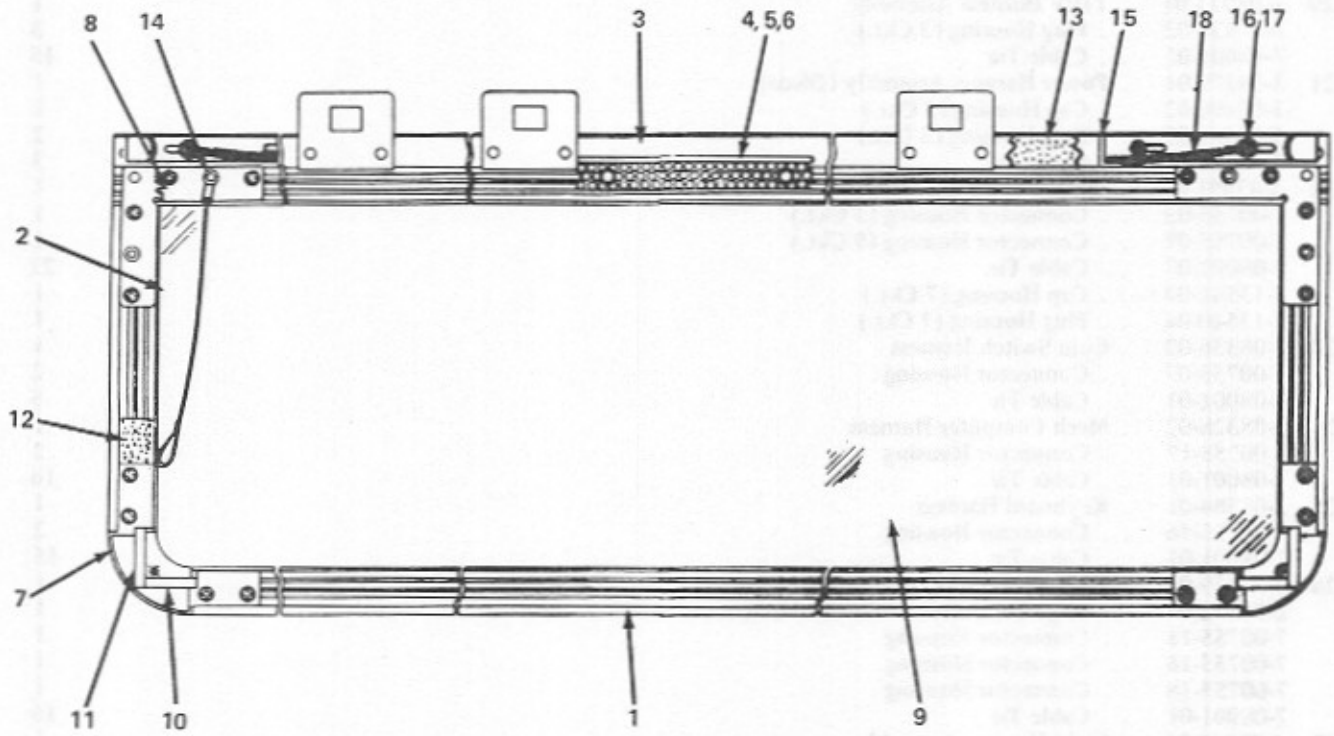


FIG. AND INDEX NO.	ROWE PART NO.	DESCRIPTION	QTY. PER ASSY
1-	6-08900-01	R-84 Phonograph Final Assembly (Wood) (Continued)	
1-	6-08900-02	R-84 Phonograph Final Assembly (Disco) (Continued)	
1-	6-08900-03	R-84 Phonograph Final Assembly (Jukebox) (Continued)	2
	7-00931-01	. . . Cable Clamp	21
	7-00934-01	. . . Cable Clamp	1
	7-00934-02	. . . Cable Clamp	2
	7-00934-03	. . . Cable Clamp	1
	7-00931-03	. . . Cable Clamp	1
120	6-08973-01	. . . 110V Harness Assembly	3
	3-07431-02	. . . Plug Housing (3 Ckt.)	15
	7-08001-01	. . . Cable Tie	1
121	3-08379-01	. . . Power Harness Assembly (Disco)	1
	3-07490-02	. . . Cap Housing (3 Ckt.)	2
	3-07491-02	. . . Plug Housing (3 Ckt.)	3
	7-08001-01	. . . Cable Tie	1
122	3-07891-02	. . . Input Disco Harness Assembly (Disco)	1
	7-00755-03	. . . Connector Housing (3 Ckt.)	1
	7-00755-09	. . . Connector Housing (9 Ckt.)	1
	7-08001-07	. . . Cable Tie	22
	2-13541-04	. . . Cap Housing (7 Ckt.)	1
	2-13540-04	. . . Plug Housing (7 Ckt.)	1
123	3-08336-02	. . . Coin Switch Harness	2
	7-00755-07	. . . Connector Housing	5
	7-08001-01	. . . Cable Tie	1
124	3-08328-02	. . . Mech Computer Harness	2
	7-00755-17	. . . Connector Housing	16
	7-08001-01	. . . Cable Tie	1
125	3-08384-01	. . . Keyboard Harness	2
	7-00755-16	. . . Connector Housing	15
	7-08001-01	. . . Cable Tie	1
126	4-07379-01	. . . Selector Harness	1
	2-50572-04	. . . Edge Connector	1
	7-00755-11	. . . Connector Housing	1
	7-00755-16	. . . Connector Housing	1
	7-00755-18	. . . Connector Housing	1
	7-08001-01	. . . Cable Tie	16
127	4-07386-01	. . . Light Harness Assembly	1
	4-07386-02	. . . Light Harness Assembly (Canada)	1
	2-15693-01	. . . Ballast (30 Watt)	1
	2-15693-02	. . . Ballast (30 Watt) (Canada)	1
	2-18236-01	. . . Ballast (13 Watt)	1
	2-18236-02	. . . Ballast (13 Watt) (Canada)	1
	2-00295-01	. . . Starter Socket	2
	2-18267-01	. . . Fluorescent Lampholder	1
	2-18267-04	. . . Fluorescent Lampholder	1
	2-18212-01	. . . Lamp Bracket	2
	2-18237-01	. . . Miniature Lampholder	2
	2-18242-01	. . . Starter Bracket	1
	3-07490-02	. . . Cap Housing (3 Circuit)	1
128	6-08979-01	. . . Upper Light Harness Assembly (Disco)	1
	2-18245-01	. . . Lamp Socket	34
	2-18246-01	. . . Lamp Type 904	34
	3-07491-04	. . . Plug Housing (6 Ckt.)	1
	3-08391-01	. . . Lamp Bracket	2
	3-08392-01	. . . Lamp Bracket	2
	3-08398-01	. . . Lamp Bracket (LH)	1
	3-08399-01	. . . Lamp Bracket (RH)	1
129	7-00601-15	. . . Fluorescent Lamp	1
130	7-00800-04	. . . Fluorescent Starter	1

**FIGURE
2**

Front Door Assembly



**FIGURE
2**

FIG. AND INDEX NO.	ROWE PART NO.	DESCRIPTION	QTY. PER ASSY
2-	6-08966-01	Front Door Assembly (Wood) (See Figure 1, Item 3)	REF
2-	6-08966-02	Front Door Assembly (Disco) (See Figure 1, Item 3)	REF
2-	6-08966-03	Front Door Assembly (Jukebox) (See Figure 1, Item 3)	REF
1	3-08351-03	. Door Frame (Wood)	1
	3-08351-06	. Door Frame (Disco & Jukebox)	2
2	3-08351-02	. Door Frame (Wood)	2
	3-08351-05	. Door Frame (Disco & Jukebox)	1
3	3-08365-01	. Top Trim Assembly (Wood)	1
	3-08365-02	. Top Trim Assembly (Disco & Jukebox)	1
4	7-02105-01	. Protective Molding	2
5	7-02105-02	. Protective Molding	1
6	2-18251-01	. Filter Perforated Screen	2
7	4-07351-01	. Corner Gusset (Wood)	2
	4-07351-02	. Corner Gusset (Disco & Jukebox)	2
8	2-09224-01	. Corner Gusset	1
9	4-07364-01	. Glass & Scene Assembly (Wood)	1
	4-07364-02	. Glass & Scene Assembly (Disco)	1
	4-07364-03	. Glass & Scene Assembly (Jukebox)	2
10	2-18206-01	. Channel Rubber	2
11	2-18206-02	. Channel Rubber	2
12	7-02204-44	. Foamed Tape	1
13	7-02204-36	. Foamed Tape	1
14	2-15726-01	. Fall - Stop Cable	2
15	3-08401-01	. Catch	4
16	2-09225-02	. Spacer	2
17	7-00917-02	. Solder Lug	2
18	2-15562-01	. Tension Spring	2

FIGURE
3

Top Door Assembly Sheet 1

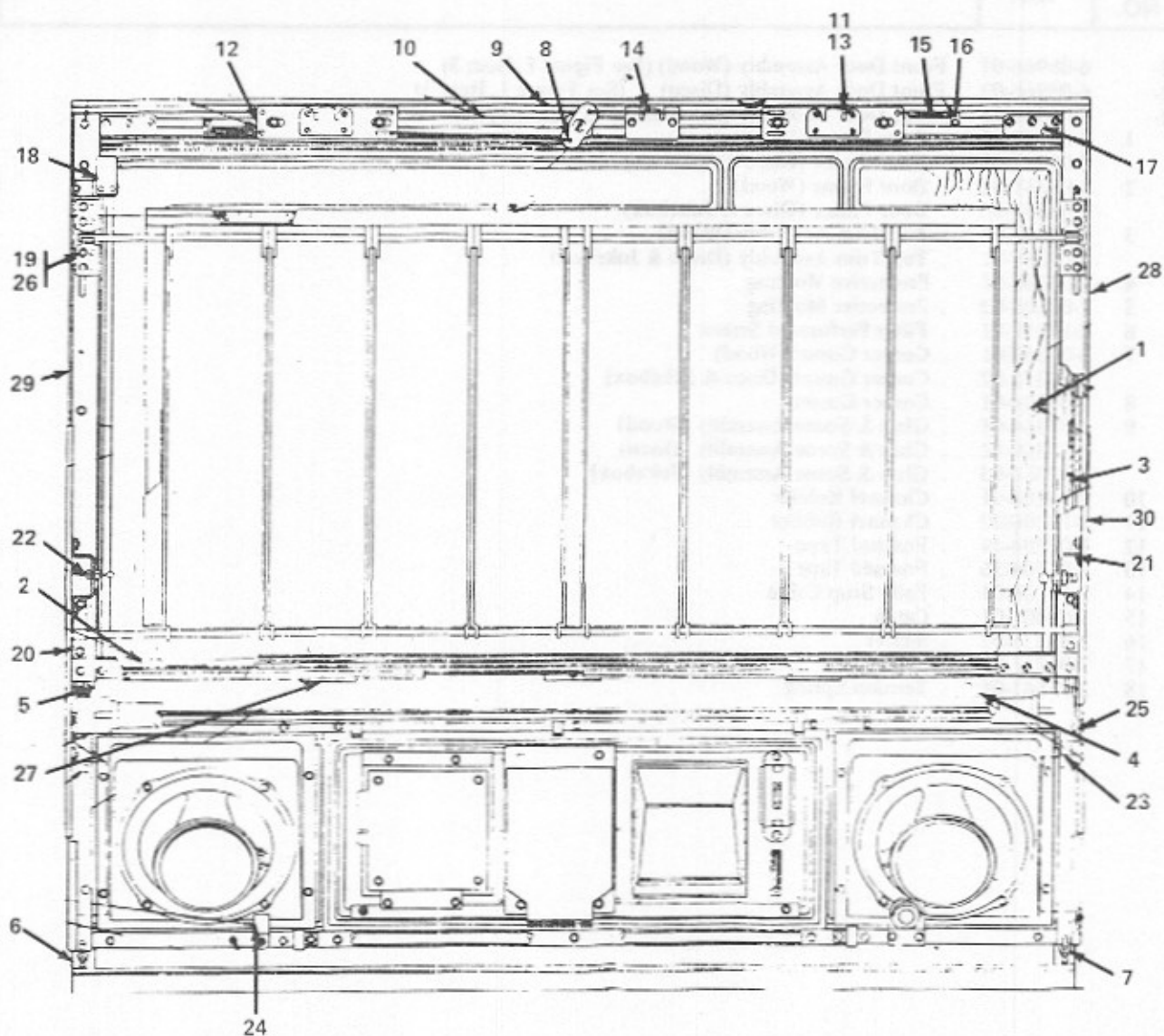
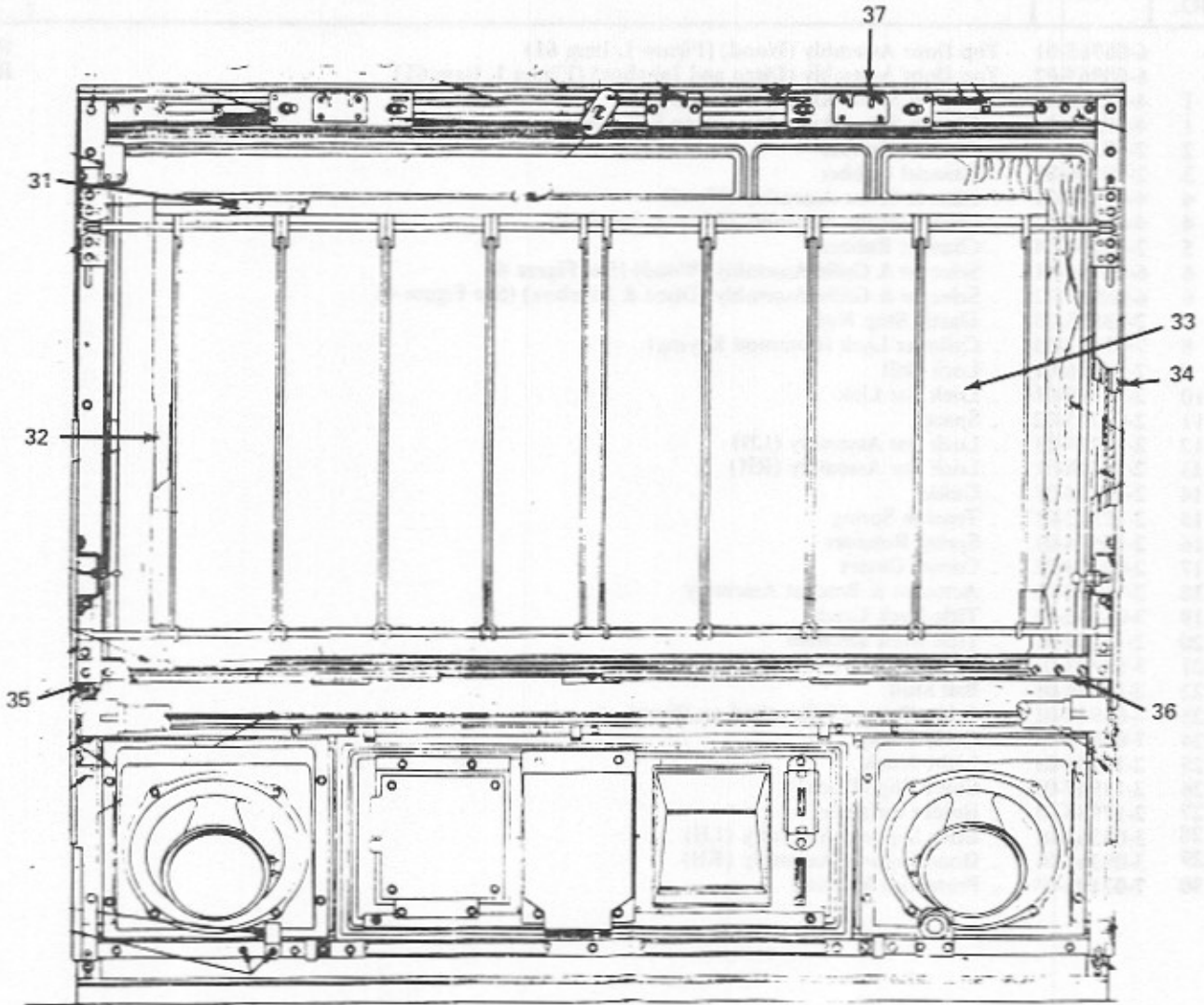


FIG. AND INDEX NO.	ROWE PART NO.	DESCRIPTION	QTY. PER ASSY
3-	6-08965-01	Top Door Assembly (Wood) (Figure 1, Item 61)	REF
3-	6-08965-02	Top Door Assembly (Disco and Jukebox) (Figure 1, Item 61)	REF
1	4-07366-01	. Glass & Scene Assembly (Wood)	1
1	4-07366-02	. Glass & Scene Assembly (Disco & Jukebox)	1
2	2-18206-01	. Channel Rubber	4
3	2-18206-03	. Channel Rubber	2
4	4-07365-01	. Glass & Scene Assembly (Wood)	1
4	4-07365-02	. Glass & Scene Assembly (Disco & Jukebox)	1
5	2-18206-04	. Channel Rubber	2
6	6-08964-01	. Selector & Grille Assembly (Wood) (See Figure 4)	1
6	6-08964-02	. Selector & Grille Assembly (Disco & Jukebox) (See Figure 4)	1
7	2-13578-05	. Elastic Stop Nut	4
8	7-01632-03	. Cylinder Lock (Common Keying)	1
9	2-14256-01	. Lock Bolt	1
10	2-17249-01	. Lock Bar Link	2
11	2-09225-02	. Spacer	4
12	2-18207-01	. Lock Bar Assembly (LH)	1
13	2-18208-01	. Lock Bar Assembly (RH)	1
14	2-18204-01	. Guide	1
15	2-12562-01	. Tension Spring	2
16	2-15674-01	. Spring Retainer	2
17	2-09224-01	. Corner Gusset	4
18	2-18239-01	. Actuator & Bracket Assembly	1
19	3-08362-01	. Title Rack Catch	4
20	2-18209-01	. Title Rack Retainer	2
21	3-08383-01	. Spring Bracket	2
22	2-17976-01	. Ball Stud	2
23	7-00934-01	. Cable Clamp (5 Required on Disco)	2
24	7-00931-04	. Cable Clamp	1
25	2-18266-01	. Light Block	2
26	2-11967-02	. Cover Clip (Disco)	4
27	2-17935-01	. Holder Retainer	3
28	3-08363-01	. Door Support Assembly (LH)	1
29	3-08364-01	. Door Support Assembly (RH)	1
30	7-02105-03	. Protective Molding	2

Top Door Assembly Sheet 2



**FIGURE
3**

FIG. AND INDEX NO.	ROWE PART NO.	DESCRIPTION	QTY. PER ASSY
3-	6-08965-02	Top Door Assembly (Continued)	
3-	6-08965-01	Top Door Assembly (Continued)	1
31	7-02204-37	. Foamed Tape	2
32	7-02204-38	. Foamed Tape	1
33	4-07367-01	. Title Rack Assembly	8
	6-07571-02	. . Title Rack	1
	3-07493-01	. . Number Strip	1
	3-07493-02	. . Number Strip	1
	3-07493-03	. . Number Strip	1
	3-07493-04	. . Number Strip	1
	3-07493-05	. . Number Strip	1
	3-07493-06	. . Number Strip	1
	3-07493-07	. . Number Strip	1
	3-07493-08	. . Number Strip	1
	2-17944-02	. . Rod	1
	2-17944-03	. . Rod	1
	7-01430-03	. . Retaining Ring	2
	2-15689-01	. . Push Nut	2
	2-17760-04	. . Speed Clip Fastener ("U" Type)	10
	2-18228-01	. . Light Block	1
	2-18228-02	. . Light Block	3
	2-17628-01	. . Title Rack Insert	4
34	3-08351-01	. Door Frame (Wood)	2
	3-08351-04	. Door Frame (Disco & Jukebox)	2
35	3-08350-01	. Top Door Side (Wood)	2
	3-08350-02	. Top Door Side (Disco & Jukebox)	2
36	3-08352-01	. Top Door Knee (Wood)	1
	3-08352-02	. Top Door Knee (Disco & Jukebox)	1
37	6-08951-01	. Top Door Lower Trim (Wood)	1
	6-08951-02	. Top Door Lower Trim (Disco & Jukebox)	1

FIGURE
4

Selector and Grille Assembly

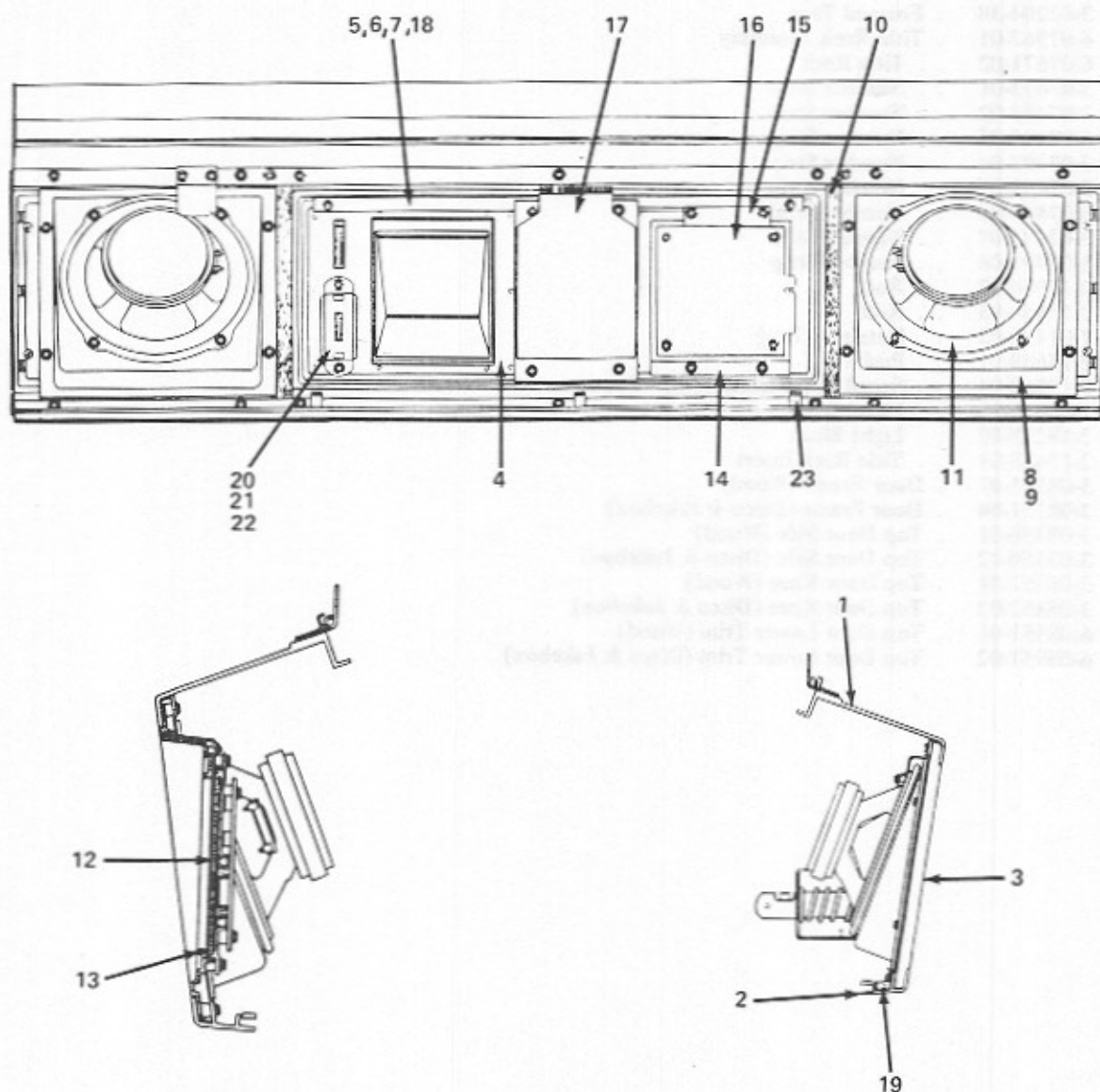


FIGURE
4

FIG. AND INDEX NO.	ROWE PART NO.	DESCRIPTION	QTY. PER ASSY
4	6-08964-01	Selector & Grille Assembly (Wood) (Figure 3, Item 6)	REF
	6-08964-02	Selector & Grille Assembly (Disco & Jukebox)	REF
1	4-07368-01	. Trim & Hinge Assembly (Wood)	1
1	4-07368-02	. Trim & Hinge Assembly (Disco & Jukebox)	1
2	4-07358-01	. Bottom Trim (Wood)	1
2	4-07358-02	. Bottom Trim (Disco & Jukebox)	1
3	3-08366-01	. Trim & Grille Assembly	1
	6-08953-01	. . Grille Trim	1
	6-08960-01	. . Top Grille	1
	2-19219-01	. . Foamed Pad	1
4	4-07369-01	. Selector Trim & Insert Assembly	1
	6-08952-01	. . Selector Trim	1
	4-07352-01	. . Selector Insert	1
	4-07353-01	. . Price Card Insert	1
	4-07356-01	. . CoinInlet Insert	1
	2-18233-01	. . Popular Button Label	1
5	2-18215-01	. Light Control Film (Wood)	1
6	3-08368-01	. Diffuser	3
7	2-12815-01	. Push-On Speed Nut	2
8	6-08971-01	. Speaker Mount	8
9	7-02204-39	. Foamed Tape	2
10	7-02204-41	. Foamed Tape	2
11	4-07315-01	. Speaker-Mid Range	1
12	2-18217-01	. Price Card Window	4
13	7-02124-02	. Cork Composition	1
14	3-08355-01	. Price Card Holder	1
15	2-18218-01	. Price Card Retainer	1
16	4-07363-01	. Digital Display Assembly	1
	6-08963-01	. . Digital Display Printed Wiring Board	3
	2-17667-01	. . LED Display	6
	7-00353-03	. . Light Emitting Diode	3
	7-00120-08	. . 1/2 Watt Carbon Resistor (47 ohm ± 10%)	7
	7-9901-101	. . 1/4 Watt Carbon Resistor (100 ohm ± 5%)	1
17	4-07362-01	. Keyboard Assembly	1
	3-08357-01	. . Support Plate Assembly	1
	6-08959-01	. . Keyboard Printed Wiring Board	12
	3-08371-01	. . Keyboard Switch	1
	7-00760-16	. . Polarizing Wafer - 90°	1
18	2-18262-01	. Diffuser Color Film (Disco & Jukebox)	1
19	7-02121-16	. Sponge Rubber	2
	3-08381-01	. . Pushbutton Number Series	1
	3-08381-02	. . Pushbutton Number Series	1
	3-08381-03	. . Pushbutton Number Series	1
	3-08381-04	. . Pushbutton Number Series	1
	3-08381-05	. . Pushbutton Number Series	1
	3-08381-06	. . Pushbutton Number Series	1
	3-08381-07	. . Pushbutton Number Series	1
	3-08381-08	. . Pushbutton Number Series	1
	3-08381-09	. . Pushbutton Number Series	1
	3-08381-10	. . Pushbutton Number Series	1
	3-07432-04	. . Popular Pushbutton (Solid State)	1
	3-07432-03	. . Reset Pushbutton (" ")	1
20	2-17429-04	. Reject Button & Shaft Assembly	1
	2-17413-02	. . Coin Return Shaft	1
	3-06996-04	. . Coin Return Button	1
21	3-07015-03	. Guide Bracket	1
22	2-18229-01	. Spring	1
23	2-07545-01	. Clip	3

FIGURE 5

Disco Control Assembly

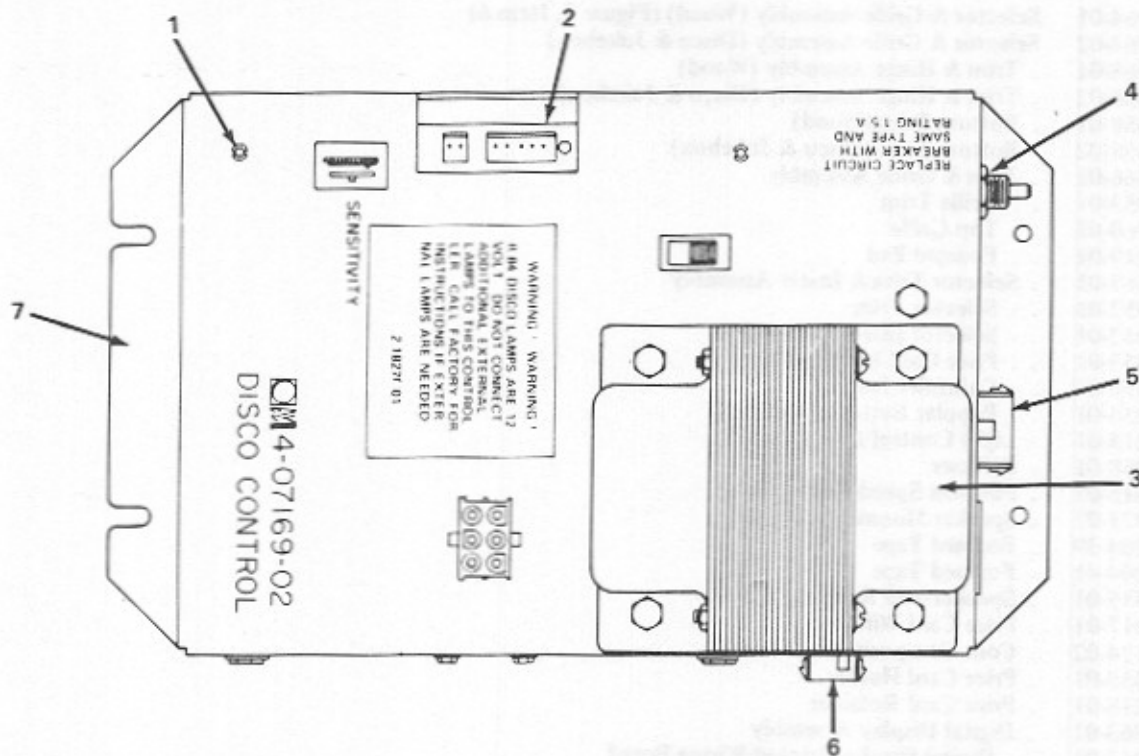


FIG. AND INDEX NO.	ROWE PART NO.	DESCRIPTION	QTY. PER ASSY
5-	4-07169-02	Disco Control Assembly (Disco) (Figure 1, Item 72)	REF
1	7-05000-13	. Circuit Board Support	2
2	6-08668-02	. Lamp Control Circuit Board Assembly (See Schematic for P.L.)	1
3	4-07389-01	. Transformer	1
4	7-00733-13	. Circuit Breaker (CBI)	1
5	3-07490-02	. Cap Housing (3 Ckt.)	1
6	3-07490-01	. Cap Housing (2 Ckt.)	1
7	4-07168-02	. Disco Control Cover	1
8			

Shell Assembly

FIGURE
6

FIG. AND INDEX NO.	ROWE PART NO.	DESCRIPTION	QTY. PER ASSY
6-	6-08950-01	Shell Assembly. (Figure 1, Item 11)	REF
6-	6-08950-02	Shell Assembly. (Figure 1, Item 11)	REF
	4-07387-01	. Cabinet Angle	2
	2-15372-01	. Teenut (Mechanism Tie Down)	2
	2-17506-08	. Vent Tube	1
	2-17506-09	. Vent Tube	1
	7-02401-19	. Wire Mesh Screen	1
	3-06257-01	. Hand Hole Cover	4
	4-06001-02	. Support Bracket Assembly	1
	2-14518-01	. Lock Spring	1
	3-06340-01	. Caster & Cup Assembly	4
	3-07876-06	. Short Skid	2
	2-09326-01	. Teenut	2
	4-07028-02	. Skid Rail	2

FIGURE 7

Stereo Amplifier System Assembly

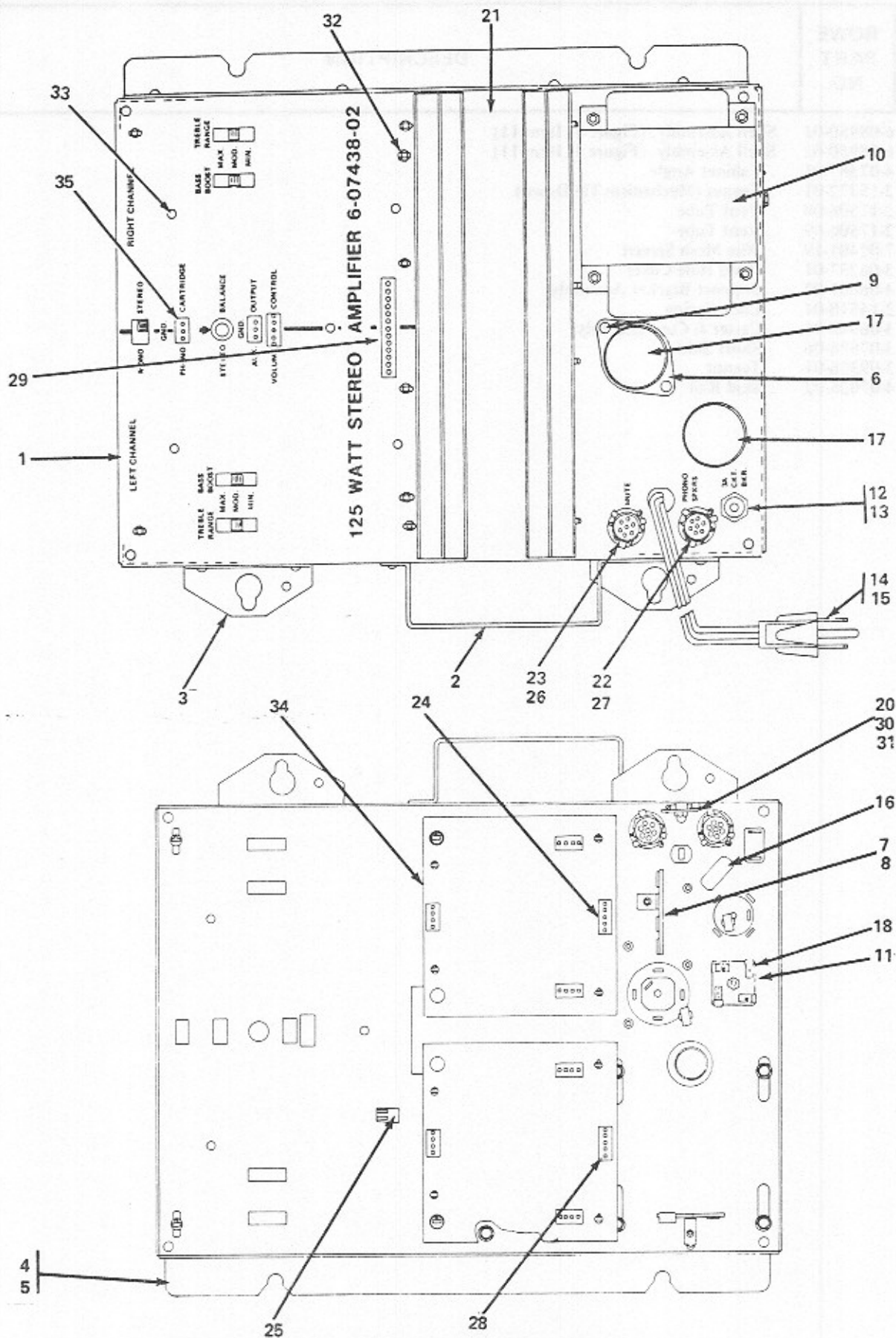
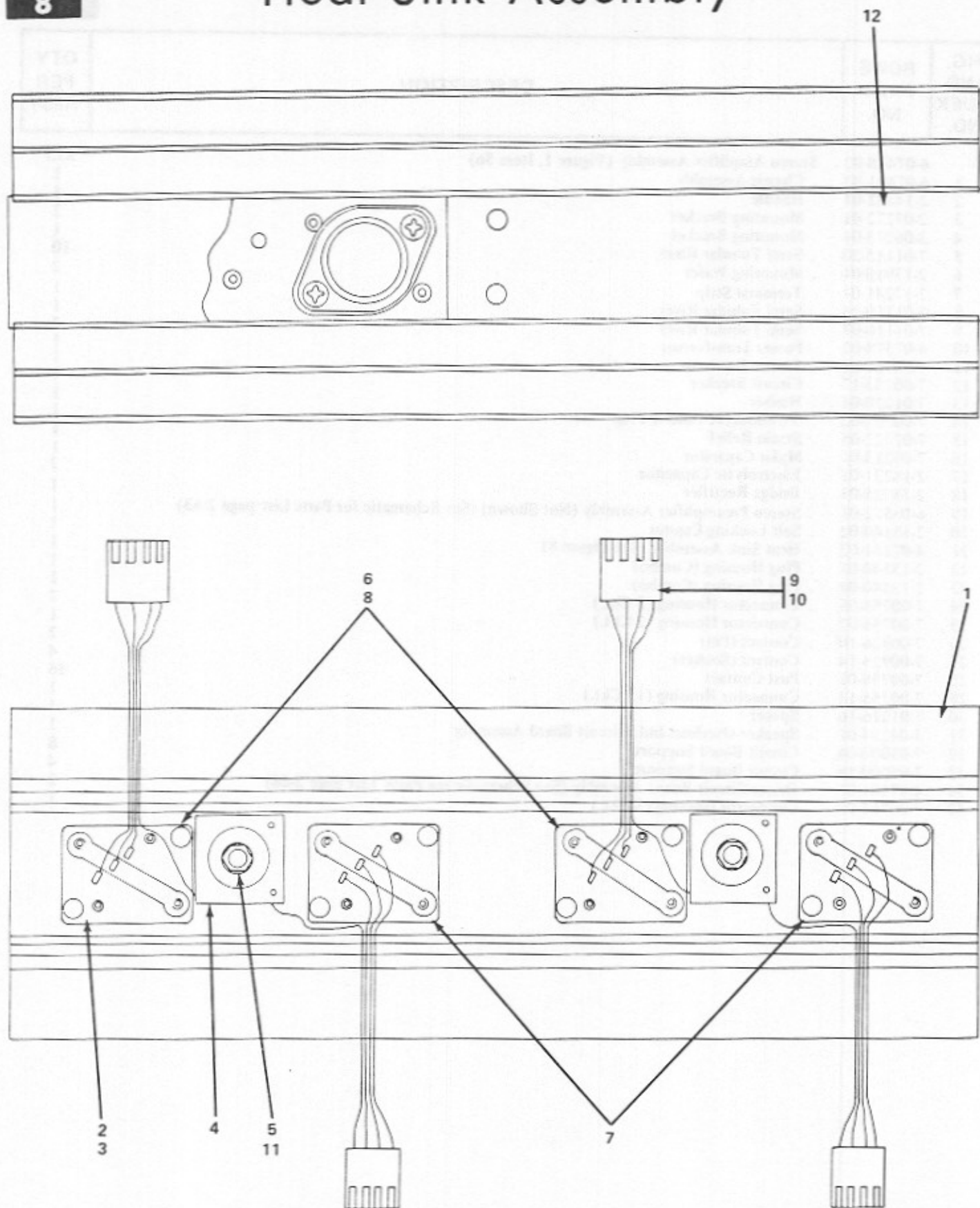


FIG. AND INDEX NO.	ROWE PART NO.	DESCRIPTION	QTY. PER ASSY
7-	6-07438-02	Stereo Amplifier Assembly (Figure 1, Item 56)	REF
1	6-07441-02	. Chassis Assembly	1
2	2-14881-01	. Handle	2
3	2-09272-01	. Mounting Bracket	1
4	3-06273-01	. Mounting Bracket	10
5	7-01113-20	. Semi Tubular Rivet	2
6	2-13910-01	. Mounting Wafer	1
7	2-17241-01	. Terminal Strip	1
8	7-01110-26	. Semi Tubular Rivet	2
9	7-01110-07	. Semi Tubular Rivet	1
10	4-07378-01	. Power Transformer	1
11	7-00967-01	. Faston Insulator	1
12	7-00733-17	. Circuit Breaker	1
13	7-01220-01	. Washer	1
14	7-00502-02	. 3 Conductor Cord & Plug	1
15	7-02322-05	. Strain Relief	1
16	7-00213-01	. Mylar Capacitor	2
17	2-18231-01	. Electrolytic Capacitor	1
18	2-18225-01	. Bridge Rectifier	1
19	6-08552-01	. Stereo Preamplifier Assembly (Not Shown) (See Schematic for Parts List page 2-63)	1
20	2-18140-02	. Self Locking Capnut	1
21	4-07151-02	. Heat Sink Assembly (See Figure 8)	1
22	2-13540-01	. Plug Housing (Combo)	1
23	2-13540-04	. Plug Housing (Combo)	2
24	7-00755-05	. Connector Housing (5 Ckt.)	1
25	7-00755-02	. Connector Housing (2 Ckt.)	2
26	7-00926-10	. Contact (Pin)	4
27	7-00926-14	. Contact (Socket)	16
28	7-00756-01	. Post Contact	1
29	7-00755-13	. Connector Housing (13 Ckt.)	1
30	7-01216-16	. Spacer	1
31	3-04254-01	. Speaker Overload Ind. Circuit Board Assembly	8
32	7-05000-04	. Circuit Board Support	4
33	7-05000-18	. Circuit Board Support	2
34	4-07101-01	. Driver Circuit Board Assembly (See Schematic for Parts List page 2-66)	1
35	7-00755-03	. Connector Housing (3 Ckt.)	1

FIGURE
8

Heat Sink Assembly



**FIGURE
8**

FIG. AND INDEX NO.	ROWE PART NO.	DESCRIPTION	QTY. PER ASSY
8-	4-07151-02	Heat Sink Assembly (Figure 11, Item 17)	REF
1	4-07103-01	. Heat Sink	1
2	2-13044-00	. Power Transistor Socket	4
3	7-01111-14	. Semi Tubular Rivet	8
4	3-04253-01	. Power Amp Bias Circuit Board Assembly	2
	4-06359-01	. Power Amp Bias Printed Wiring Board	1
	7-00350-02	. Silicon Diode	3
	7-00756-01	. Post Contact	2
5	2-13303-00	. Roller Ring	2
6	7-00302-06	. Transistor (Darlington Amp)	2
7	7-00302-07	. Transistor (Darlington Amp)	4
8	2-13189-00	. Insulator	4
9	7-00755-04	. Connector Housing	4
10	7-00756-01	. Post Contact	4
11	7-01200-10	. Washer	6
12	2-17980-01	. Cover	2

FIGURE 9

Output Transformer Assembly

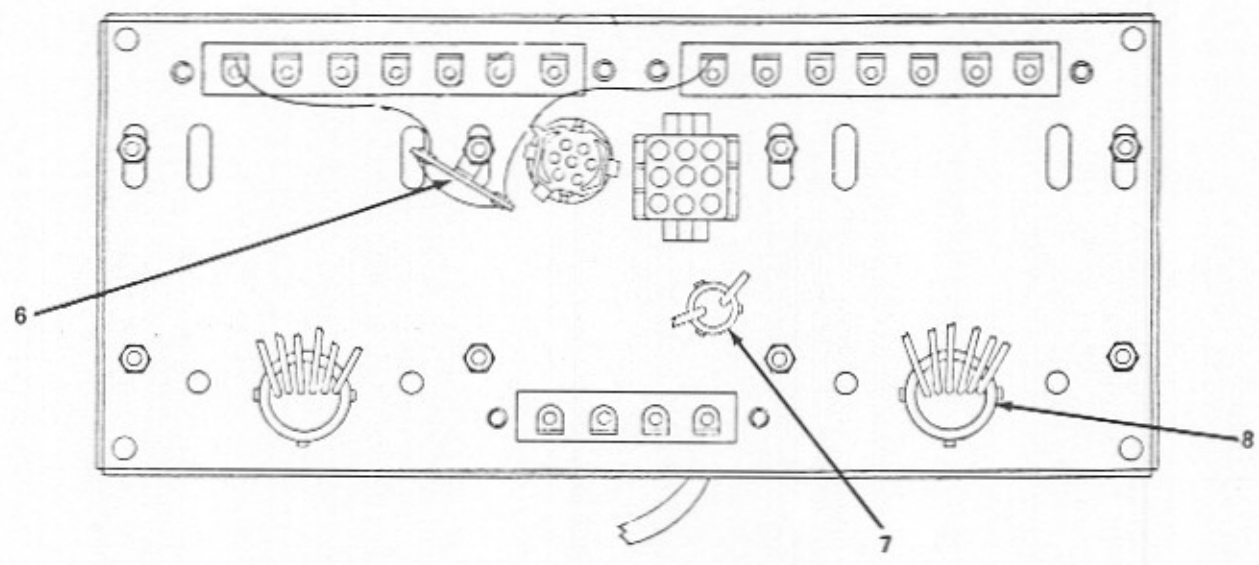
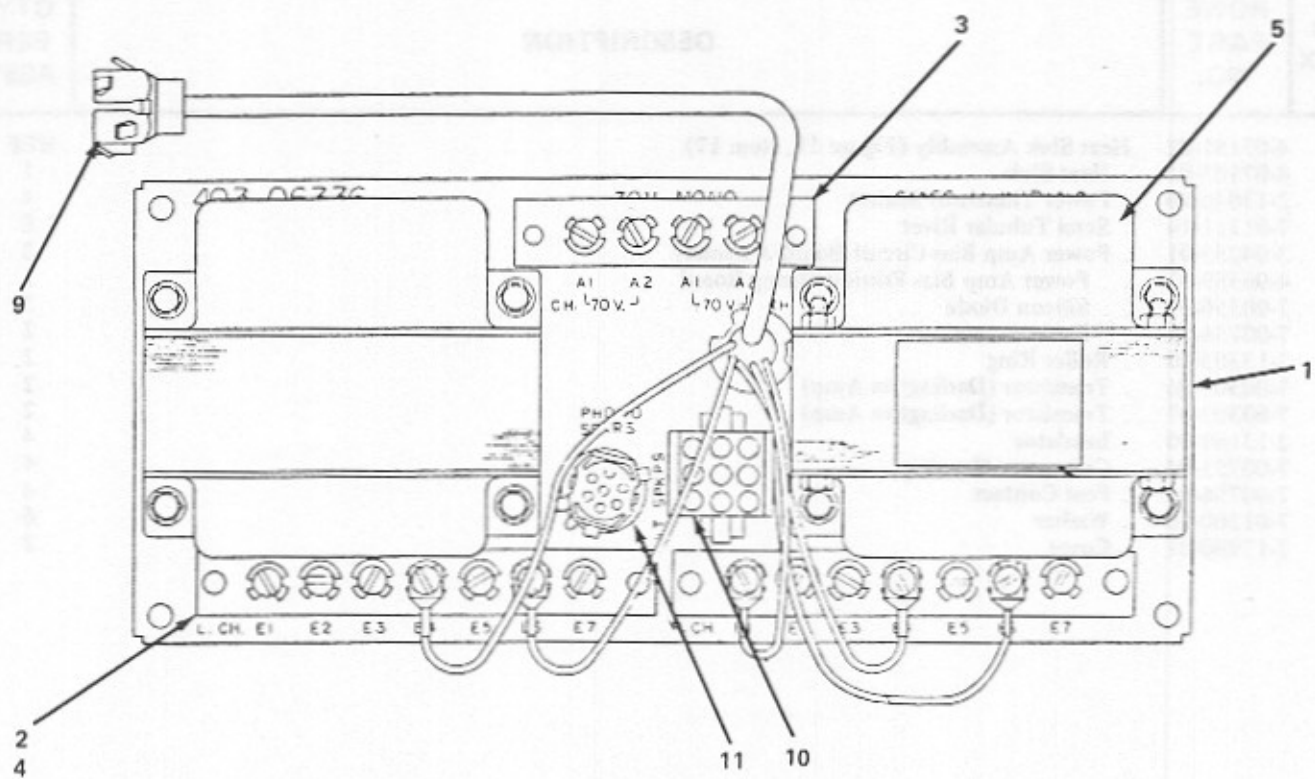
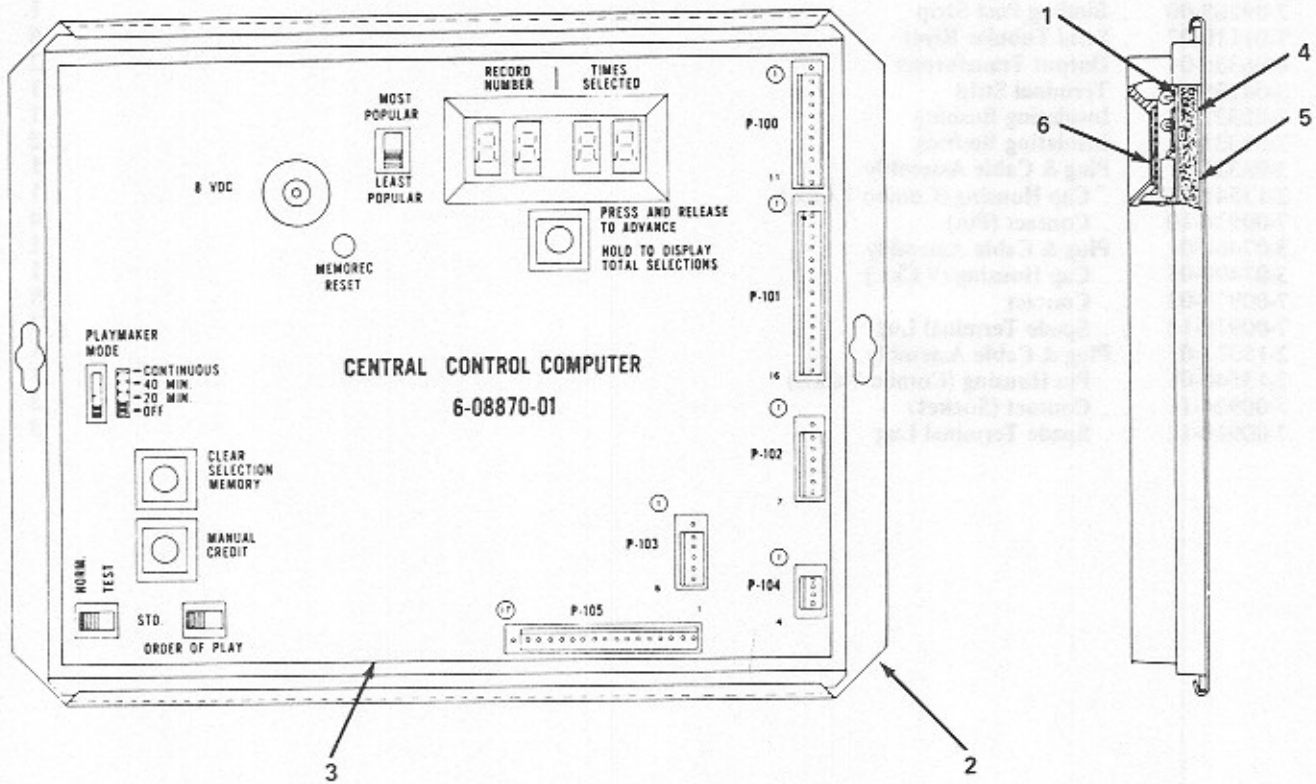


FIG. AND INDEX NO.	ROWE PART NO.	DESCRIPTION	QTY. PER ASSY
			REF
9-	4-06336-03	Output Transformer Assembly (Figure 1, Item 56)	1
1	3-06260-05	. Output Chassis	2
2	2-09270-00	. Binding Post Strip	1
3	2-09269-00	. Binding Post Strip	6
4	7-01110-07	. Semi Tubular Rivet	2
5	4-06335-01	. Output Transformer	1
6	3-04225-14	. Terminal Strip	1
7	7-02331-01	. Insulating Bushing	2
8	7-02331-02	. Insulating Bushing	1
9	3-06327-01	. Plug & Cable Assembly	1
	2-13541-01	. Cap Housing (Combo 7 Ckt.)	4
	7-00926-10	. Contact (Pin)	1
10	3-07488-01	. Plug & Cable Assembly	1
	3-07490-05	. Cap Housing (9 Ckt.)	8
	7-00975-02	. Contact	2
	7-00910-12	. Spade Terminal Lug	1
11	2-15373-01	. Plug & Cable Assembly	1
	2-13540-01	. Pin Housing (Combo 7 Ckt.)	3
	7-00926-11	. Contact (Socket)	3
	7-00910-12	. Spade Terminal Lug	3

FIGURE 10

Central Control Computer



**FIGURE
10**

FIG. AND INDEX NO.	ROWE PART NO.	DESCRIPTION	QTY. PER ASSY
10-	6-08870-01	Central Control Computer (Figure 1, Item 52)	REF
1	6-08871-01	. Central Computer Circuit Board Assembly (See Schematic for Parts List)	1
2	6-08883-01	. Central Computer Base	1
3	4-07322-01	. Central Control Computer Cover	1
4	2-17711-06	. Insulation Base	1
5	2-17710-09	. Insulation Pad	1
6	2-17819-05	. Display Card Light Filter	1

FIGURE 11

Main Power Supply

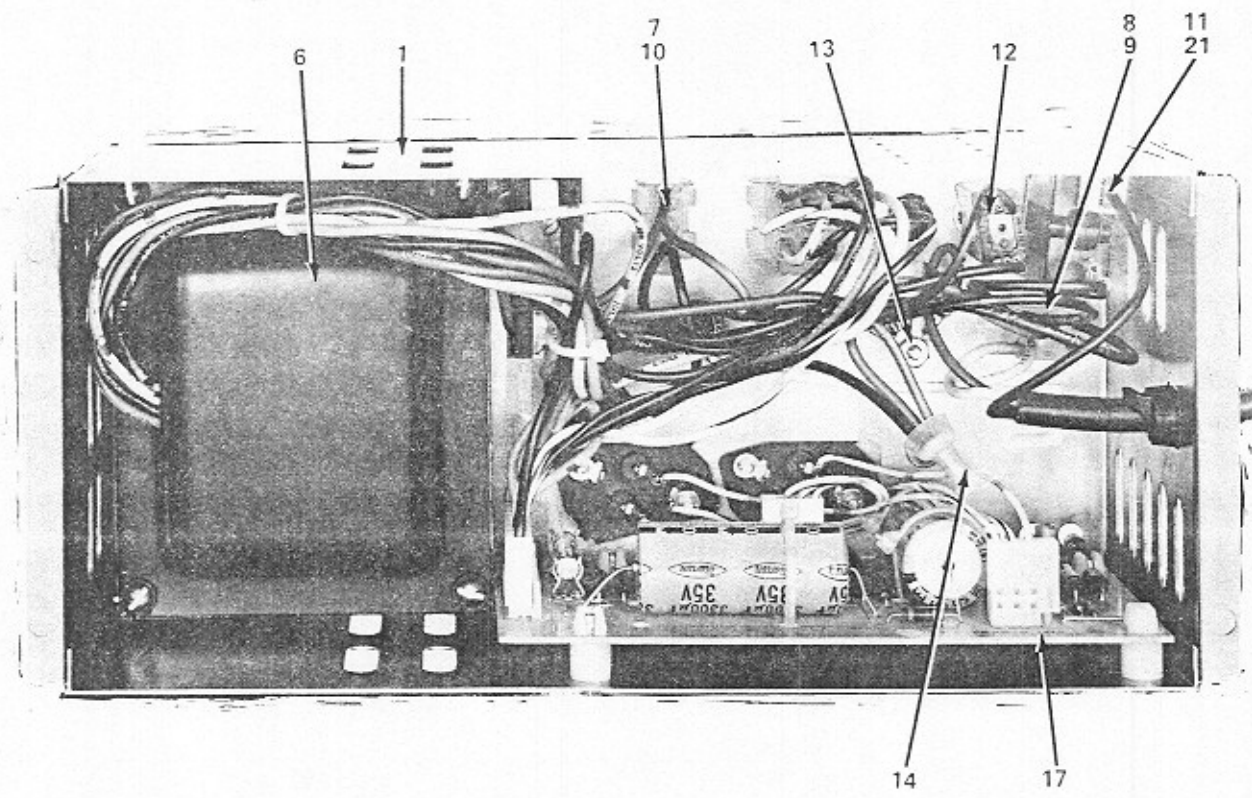
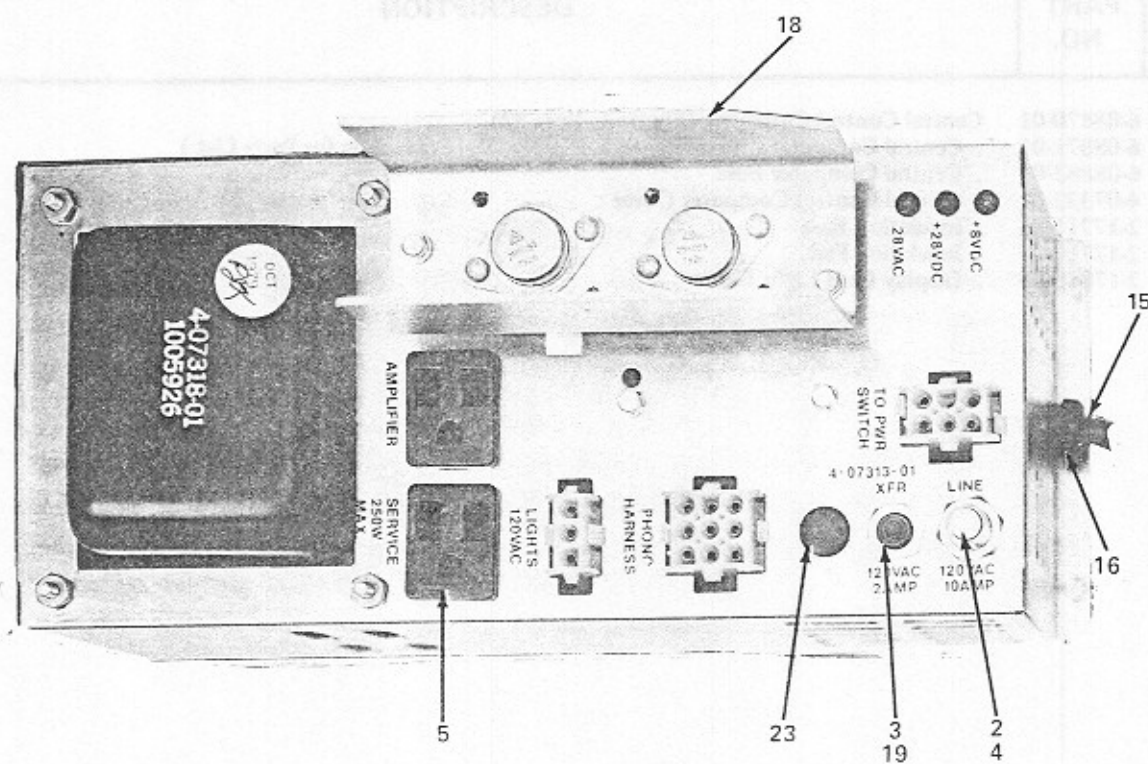


FIG. AND INDEX NO.	ROWE PART NO.	DESCRIPTION	QTY. PER ASSY
1	4-07313-01	Main Power Supply (120 V) (Figure 1, Item 53)	REF
	4-65087-02	Main Power Supply (220 V)	REF
	4-65087-03	Main Power Supply (240 V)	REF
1	4-07332-01	Chassis Assembly	1
2	7-00734-25	10 Amp Circuit Breaker	1
3	7-00733-15	2 Amp Circuit Breaker	2
4	7-01220-01	Washer (Internal Lock)	2
5	2-13759-01	3 Wire Convenience Outlet	1
6	3-07892-01	Transformer & Harness Ass'y	1
	4-07318-01	Power Transformer (120 V)	REF
	4-65086-01	Power Transformer (220 V - 240 V)	1
	3-07490-05	Cap Housing (9 Ckt.)	3
	7-00975-02	Contact	1
	7-00755-12	Connector Housing	6
	7-00756-01	Post Contact	4
	7-00975-04	Contact	2
	7-00975-06	Contact	2
	7-00915-05	Ring Terminal	2
	7-08001-07	Cable Tie	1
7	3-07490-02	Cap Housing	1
8	3-07490-04	Cap Housing	5
9	7-00975-04	Contact	3
10	7-00975-06	Contact	2
11	7-00913-08	Terminal Lug	1
12	7-00913-22	Terminal Lug	3
13	7-00915-05	Ring Terminal	1
14	7-00921-07	Solderless Connector	1
15	3-08345-01	Power Cord Assembly	1
16	7-02321-04	Strain Relief	1
17	6-08873-01	Circuit Board Assembly	1
18	4-07331-01	Heat Sink and Power Transistor Assembly	1
	3-08337-01	Power Supply Heat Sink	2
	7-00308-07	Transistor (Darlington)	2
	2-13189-00	Insulator	2
	2-18342-01	Power Transistor Socket	2
	7-00755-04	Connector Housing	6
	7-00756-01	Post Contact	2
	7-00757-02	Keying Plug	1
19	7-01220-11	Washer (Internal Lock)	4
20	7-00913-01	Terminal Lug (Not Shown)	1
21	2-14086-02	Straight Receptacle	2
22	2-50393-00	Insulator (Not Shown)	1
23	2-18163-02	Hole Plug	1

FIGURE
12

Mechanism Assembly Sheet 1

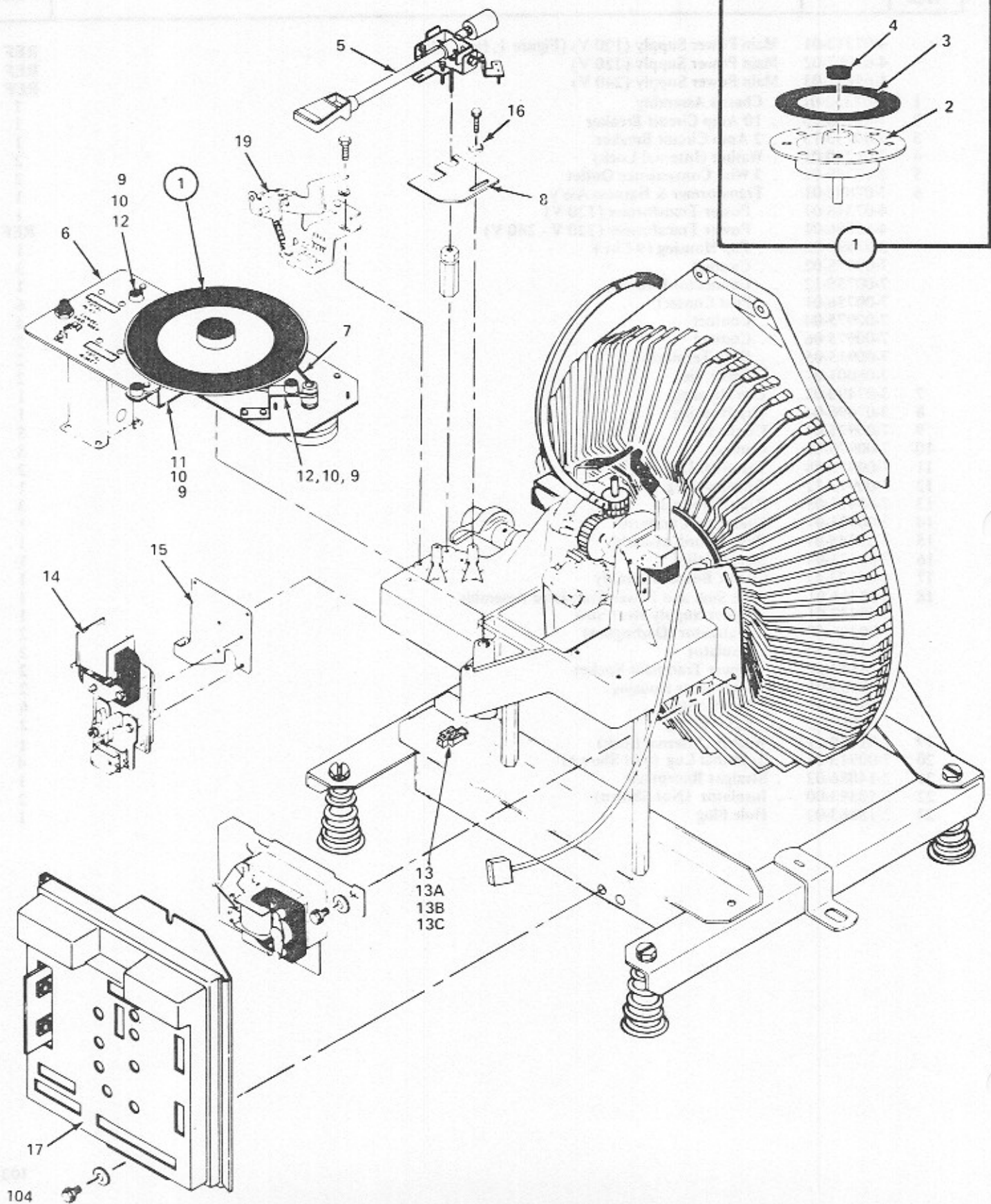
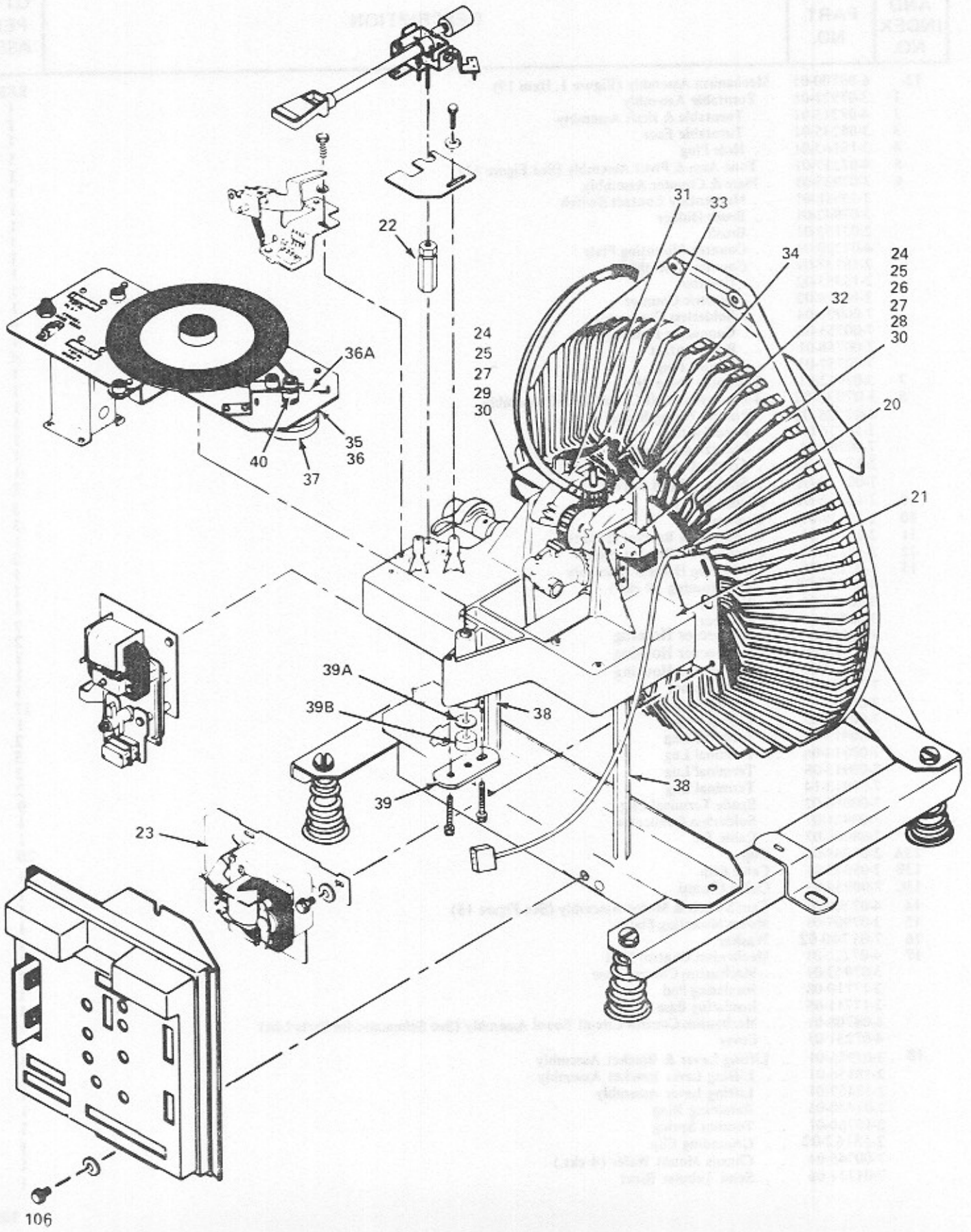


FIGURE
12

FIG. AND INDEX NO.	ROWE PART NO.	DESCRIPTION	QTY. PER ASSY
12-	6-08700-01	Mechanism Assembly (Figure 1, Item 19)	REF
1	3-07921-01	. Turntable Assembly	1
2	4-07215-01	. . Turntable & shaft Assembly	1
3	3-05235-01	. . Turntable Face	1
4	2-18163-01	. . Hole Plug	1
5	4-07217-01	. . Tone Arm & Pivot Assembly (See Figure 13)	1
6	3-07935-01	. . Plate & Counter Assembly	1
	2-15818-01	. . Momentary Contact Switch	1
	3-07942-01	. . Brush Holder	1
	2-02182-01	. . Brush	1
	4-07220-01	. . Counter Mounting Plate	1
	2-18137-01	. . Counter Assembly	1
	2-15383-02	. . . Counter	1
	2-14418-02	. . . Electric Counter	1
	7-00921-04	. . . Solderless Connector	4
	7-00755-05	. . . Connector Housing	1
	7-00756-01	. . . Post Contact	4
	7-00757-02	. . . Keying Plug	1
7	3-07922-01	. Turntable Drive Belt	1
8	3-07938-02	. Tone Arm Cutoff Circuit Board Assembly	1
	4-07225-02	. . Printed Wiring Board	1
	2-10726-02	. . Reed Switch	1
	7-00760-02	. . Polarizing Wafer 90	1
	2-18181-01	. . Contact	1
	7-00770-01	. . Socket - Mini.Spring	2
9	2-15385-02	. Plastic Rivet	3
10	2-18139-01	. Grommet	3
11	2-18122-01	. Gripper Bow Bracket (Front)	1
12	2-18121-01	. Gripper Bow Bracket (Side)	2
13	4-07224-01	. Mechanism Harness Assembly	1
	3-07490-05	. . Cap Housing (9 ckt.)	1
	3-00795-01	. . Contact	1
	3-00795-03	. . Contact	7
	7-00755-02	. . Connector Housing	2
	7-00755-08	. . Connector Housing	1
	7-00755-09	. . Connector Housing	1
	7-00756-01	. . Post Contact	17
	7-00757-01	. . Keying Plug	1
	7-00757-02	. . Keying Plug	1
	7-00913-02	. . Terminal Lug	2
	7-00914-06	. . Terminal Lug	5
	7-00913-08	. . Terminal Lug	2
	7-00913-14	. . Terminal Lug	2
	7-00916-02	. . Spade Terminal Lug	9
	7-00921-07	. . Solderless Connector	1
	7-08001-07	. . Cable Tie	1
13A	2-07545-01	. Clip	20
13B	2-05545-01	. Cable Clip	1
13C	7-00934-01	. Cable Clamp	1
14	4-07208-01	. Cam Switch & Motor Assembly (See Figure 15)	1
15	3-07907-01	. Motor Mounting Plate	1
16	7-01200-02	. Washer	1
17	4-07221-01	. Mechanism Control Unit	1
	3-07943-01	. . Mechanism Control Base	1
	2-17710-08	. . Insulating Pad	1
	2-17711-05	. . Insulating Base	1
	6-08708-01	. . Mechanism Control Circuit Board Assembly (See Schematic for Parts List)	1
	4-07231-01	. . Cover	1
18	3-07926-01	. Lifting Lever & Bracket Assembly	1
	2-18158-01	. . Lifting Lever Bracket Assembly	1
	2-18159-01	. . Lifting Lever Assembly	1
	7-01430-05	. . Retaining Ring	1
	2-15760-01	. . Tension Spring	1
	2-18162-02	. . Grounding Clip	1
	7-00745-04	. . Chassis Mount Wafer (4 ckt.)	1
	7-01111-06	. . Semi Tubular Rivet	1

Mechanism Assembly Sheet 2



**FIGURE
12**

FIG. AND INDEX NO.	ROWE PART NO.	DESCRIPTION	QTY. PER ASSY
12	6-08700-01	Mechanism Assembly (Continued)	REF
20	3-07927-01	. Optical Switch Assembly	1
	3-07944-01	. . . Optical Switch & Connector Assembly	1
	4-07226-01 Optical Switch	1
	7-00755-05 Connector Housing	1
	7-00757-02 Keying Plug	1
	7-00756-01 Contact Post	1
21	7-03122-01	. Mechanism Name Plate	1
22	2-10708-02	. Bearing Assembly	1
	2-18157-01	. . Tone Arm Bearing	1
	2-08934-01	. . Ball Bearing	1
23	4-07219-01	. Sprag Assembly (See Figure 14)	1
24	2-18105-01	. Solenoid Bracket	2
25	2-18123-01	. Solenoid Stop	2
26	7-01200-09	. Washer	1
27	2-18113-01	. Spring	2
28	2-12019-02	. Solenoid Plunger Assembly (R.H.)	1
29	2-18110-01	. Solenoid Plunger Assy (L.H.)	1
30	2-18109-01	. Solenoid Assembly	2
31	3-07905-01	. Rotator Assembly (L.H.)	1
32	3-07906-01	. Rotator Assembly (R.H.)	1
33	2-18118-01	. Record Guide Assembly (L.H.)	1
34	2-18119-01	. Record Guide Assembly (R.H.)	1
35	3-07917-01	. Turntable Motor & Plate Assembly (60 HZ)	1
	3-07917-02	. Turntable Motor & Plate Assembly (50 HZ.)	1
36	3-07918-01	. . Turntable Motor Mounting Plate	1
36A	2-18171-01	. . Turntable Belt Guide	1
37	3-07919-01	. . Turntable Motor Assembly (60 Hz.)	1
	3-07919-02	. . Turntable Motor Assembly (50 Hz.)	1
38	2-18125-01	. Mech Support	2
39	2-18124-01	. Cap Plate	1
39A	2-10364-01	. Thrust Bearing	1
39B	2-10866-01	. Spacer Bearing	1
40	2-18178-01	. . Motor Pulley (45 Rpm) 60 Hz.	1
	2-18178-02	. . Motor Pulley (45 RPM) 50 Hz.	1

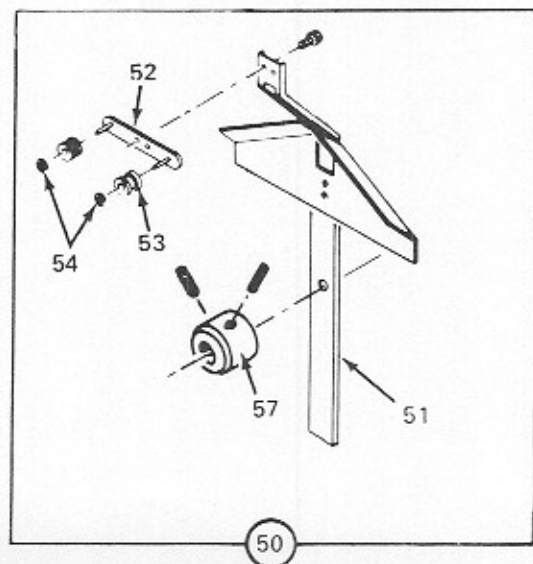
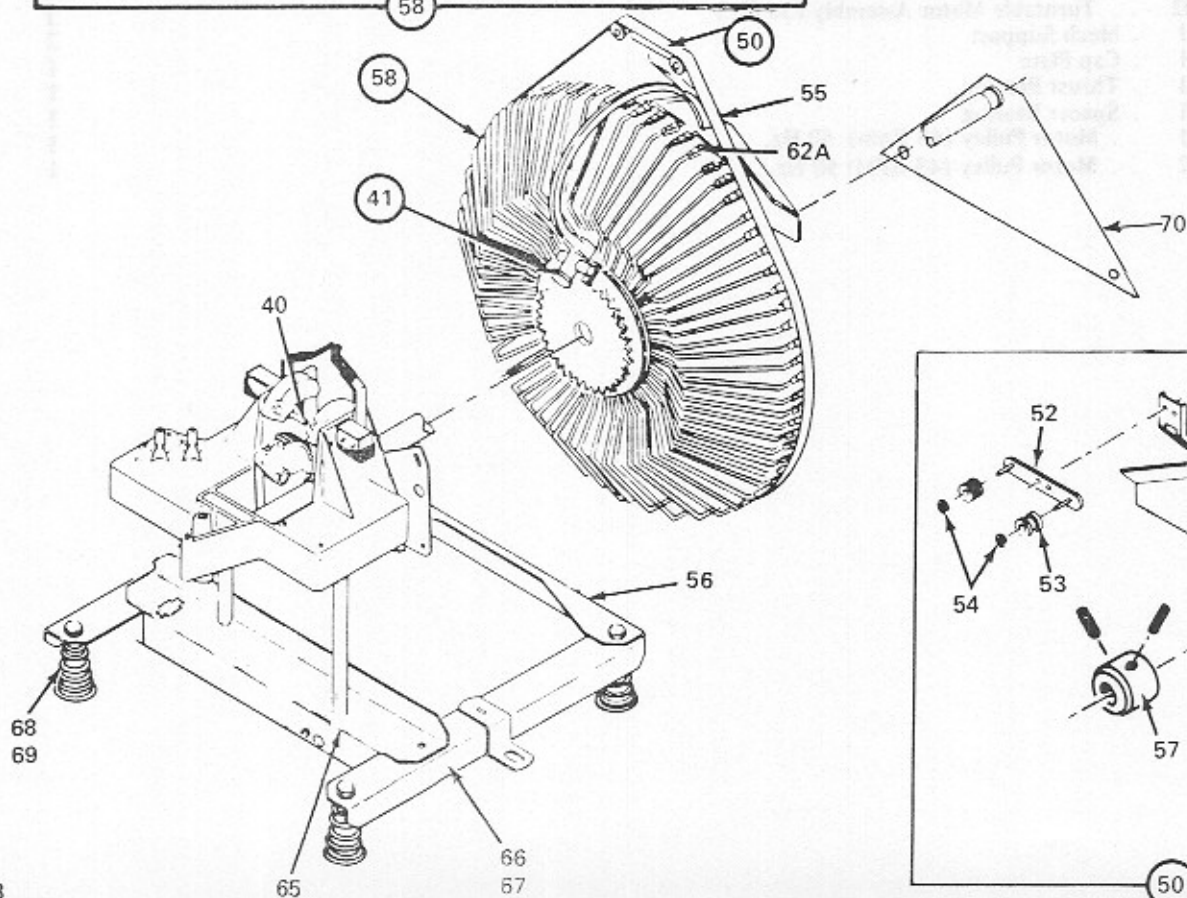
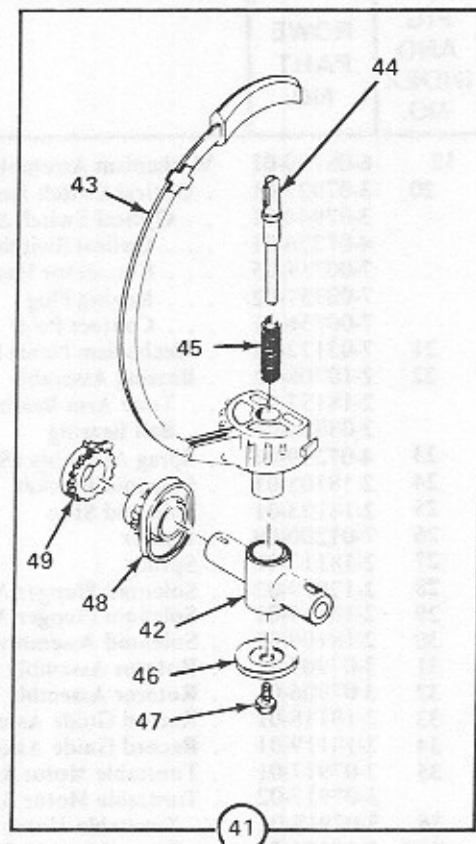
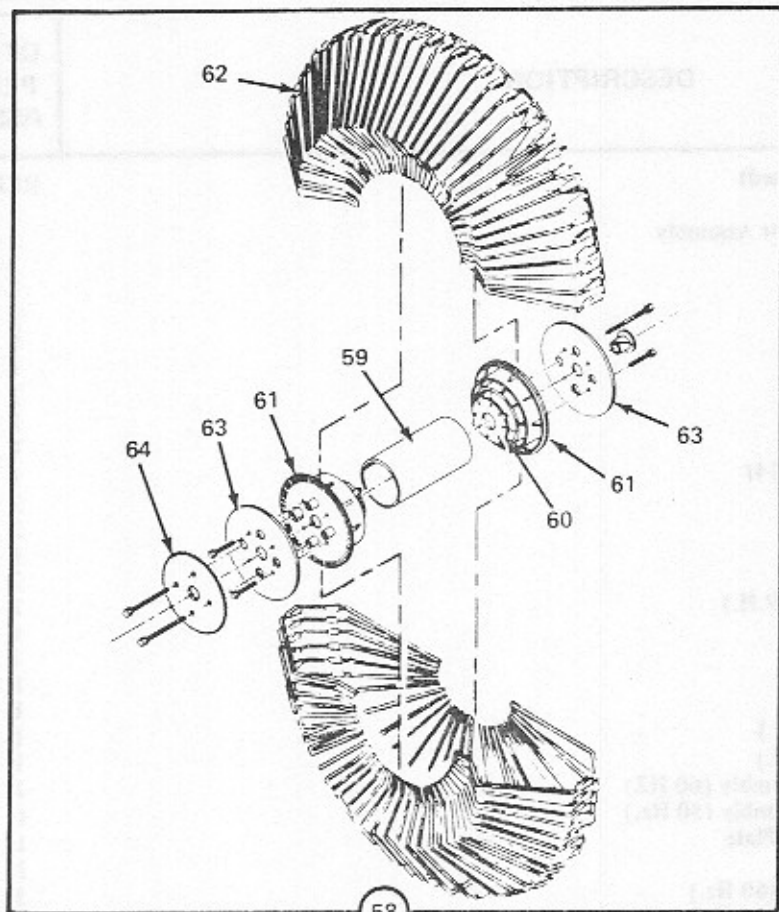


FIG. AND INDEX NO.	ROWE PART NO.	DESCRIPTION	QTY. PER ASSY
12-	6-08700-01	Mechanism Assembly (continued)	REF
40	2-10792-02	. Trunnion Pin	2
41	4-07207-01	. Gripper & Trunnion Assembly	1
42	3-07910-01	. . Trunnion	1
43	3-05197-02	. . Gripper Bow & Hub Assembly	1
44	2-10808-02	. . Inner Shoe Assembly	1
45	2-10811-01	. . Record Release Spring	1
46	2-18115-01	. . Cam Follower Assembly	1
47	2-18117-01	. . Lock Screw	1
48	4-07204-01	. . Cam Gear	1
49	4-07206-01	. . Trunnion Gear	1
50	4-07212-01	. Guide & Belt Support Assembly	1
51	4-07213-01	. . Gripper Bow Guide Assembly	1
52	2-10894-01	. . Roller Bracket Assembly	1
53	2-03843-01	. . Belt Roller	2
54	7-01430-03	. . Retaining Ring	2
55	2-18138-01	. Belt	1
56	3-07925-01	. Support Frame Rear Angle	1
57	2-18126-01	. Collar	1
58	6-08703-01	. Magazine Assembly	1
59	4-07200-01	. . Hub Spacer	1
60	3-07902-01	. . Hub Anchor Plate	2
61	6-08702-01	. . Magazine Hub	2
62	4-07201-01	. . Record Magazine Separator	100
62A	4-07202-01	. . Belt Guide	100
63	3-07903-01	. . Cover Plate	2
64	3-07904-01	. . Magazine Gear	1
65	2-11013-01	. Lock Nut	2
66	3-07914-01	. Mechanism Support & Spring Assembly	1
67	3-07915-01	. . Mech Support Assembly	1
68	2-06272-01	. . Spring Support (Upper)	4
69	2-06128-02	. . Mech Mounting Spring	4
70	4-07232-01	. Support Magazine	1

FIGURE
12

Mechanism Assembly Sheet 4

QTY PER ASSEMBLY	DESCRIPTION	INDEX NO.	PART NO.	REV.
------------------------	-------------	--------------	-------------	------

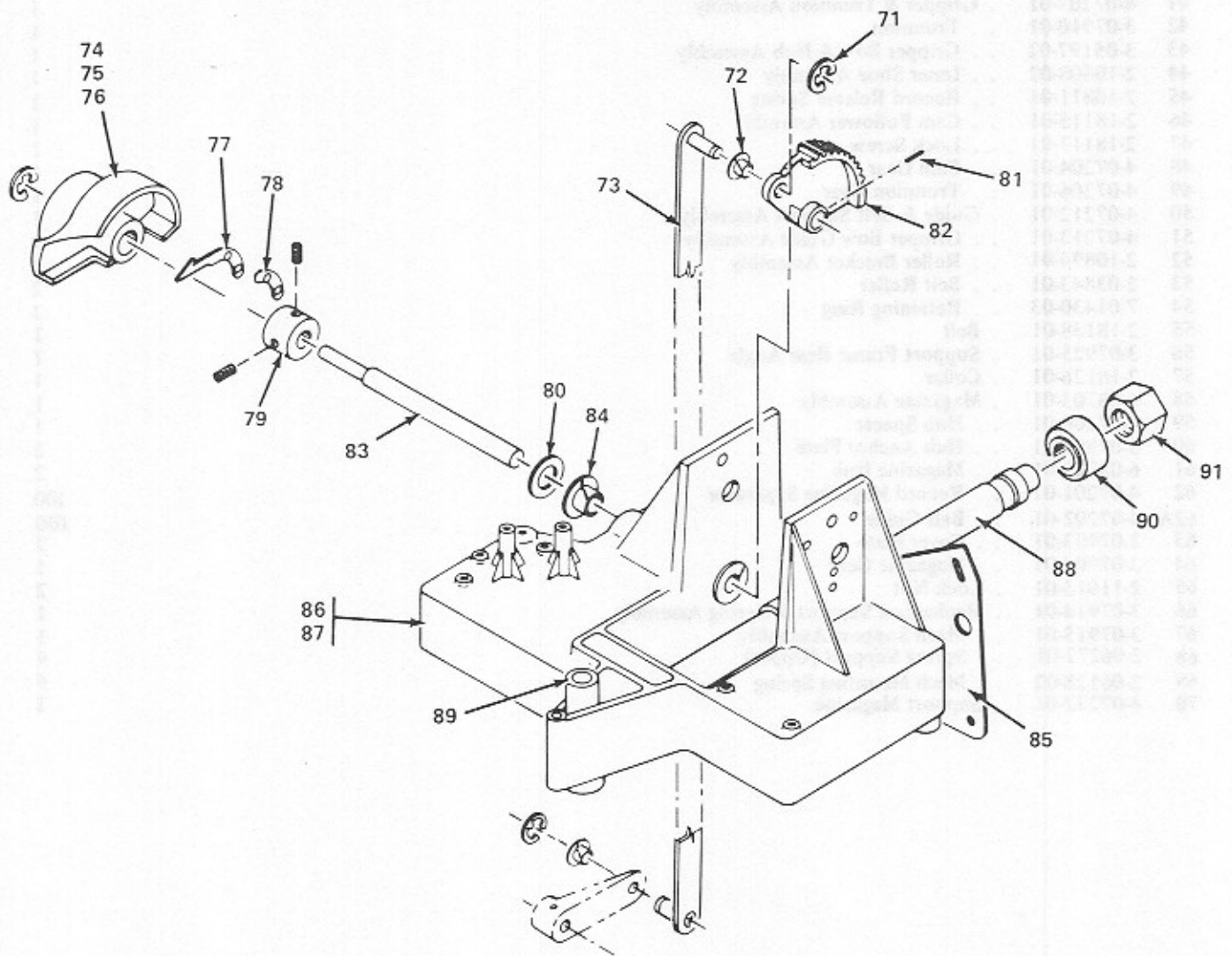


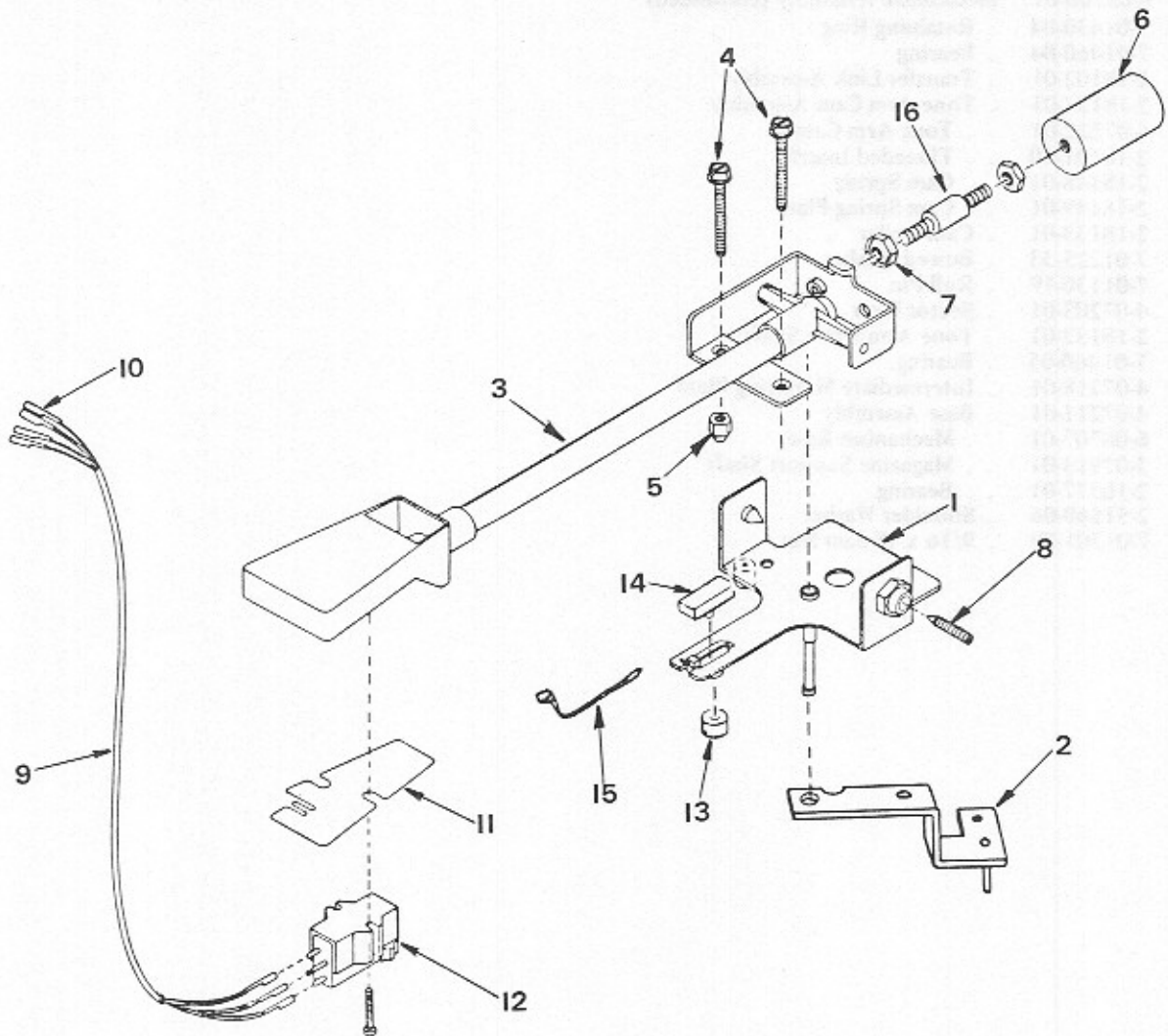
FIGURE
12

FIG. AND INDEX NO.	ROWE PART NO.	DESCRIPTION	QTY. PER ASSY
12-	6-08700-01	Mechanism Assembly (continued)	3
71	7-01430-04	. Retaining Ring	2
72	7-01460-04	. Bearing	1
73	2-18102-01	. Transfer Link Assembly	1
74	2-18134-01	. Tone Arm Cam Assembly	1
75	4-07222-01	. . Tone Arm Cam	2
76	2-18101-10	. . Threaded Insert	1
77	2-18148-01	. . Cam Spring	1
78	2-18149-01	. . Cam Spring Plate	1
79	2-18133-01	. Cam Collar	1
80	7-01225-33	. Bowed Washer	1
81	7-01130-19	. Roll Pin	1
82	4-07205-01	. Sector Gear	1
83	2-18132-01	. Tone Arm Drive Shaft	2
84	7-01460-05	. Bearing	1
85	4-07218-01	. Intermediate Mounting Plate	1
86	4-07211-01	. Base Assembly	1
87	6-08707-01	. . Mechanism Base	1
88	3-07913-01	. . Magazine Support Shaft	2
89	2-10377-01	. . Bearing	1
90	2-51569-06	. Shoulder Washer	1
91	7-01301-09	. 9/16 x 18 Jam Nut	1

FIGURE 13

Tone Arm And Pivot Assembly

YTD	REV	Y200A	DESCRIPTION	DATE	BY



**FIGURE
13**

FIG. AND INDEX NO.	ROWE PART NO.	DESCRIPTION	QTY. PER ASSY
13-	4-07217-01	Tone Arm & Pivot Assembly (Figure 1, Item 21)	REF
1	2-18141-01	. Bracket & Shaft Assembly	1
2	2-18142-01	. Guide Plate Assembly	1
3	3-07928-01	. Tone Arm & Lever Assembly	1
4	2-65025-01	. Contact Screw	1
5	2-18140-02	. Self Locking Cap Nut	1
6	2-18143-02	. Counter Weight	1
7	7-01355-02	. Locknut	1
8	2-10712-01	. Pivot Screw	1
9	2-18144-01	. Tone Arm Cable Assembly	8
10	7-00927-10	. . Pin Receptacle	1
11	2-18130-01	. Tone Arm Shielding Clip	1
12	2-13011-01	. Stereo Phono Cartridge	1
	2-18340-01	. . Stylus Assembly	1
13	2-18147-01	. Magnet - Reed	1
14	2-18146-01	. Magnet Clip	1
15	7-08001-01	. Cable Tie	1
16	2-18177-01	. Vibration Isolator	1

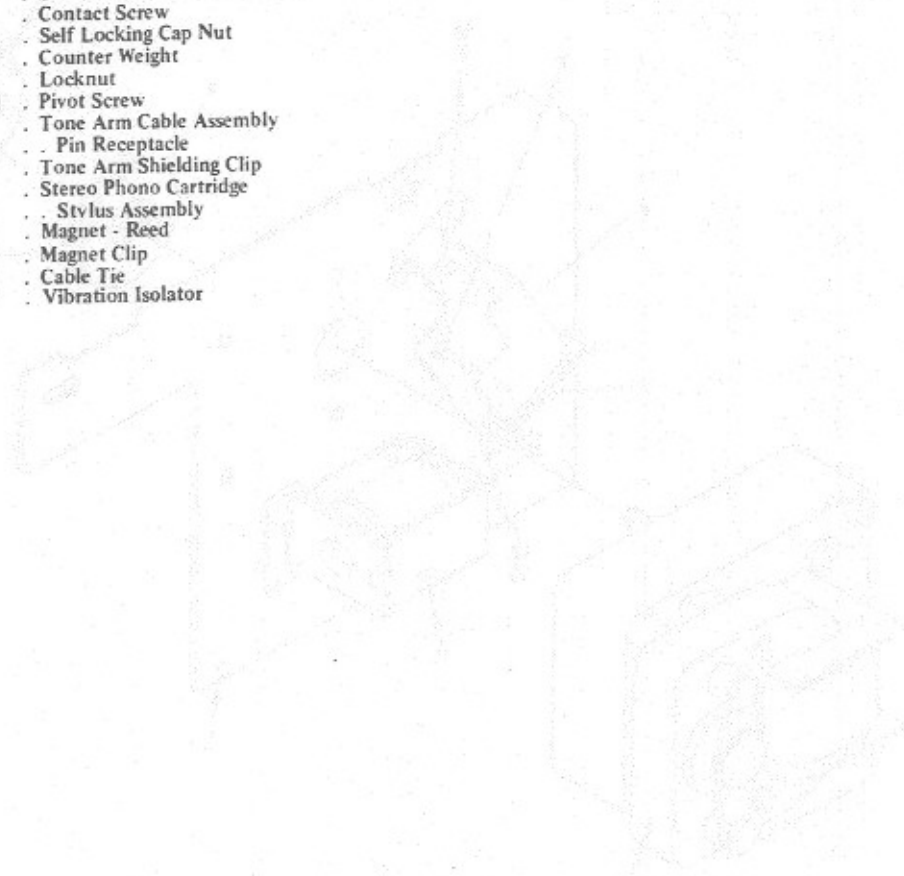
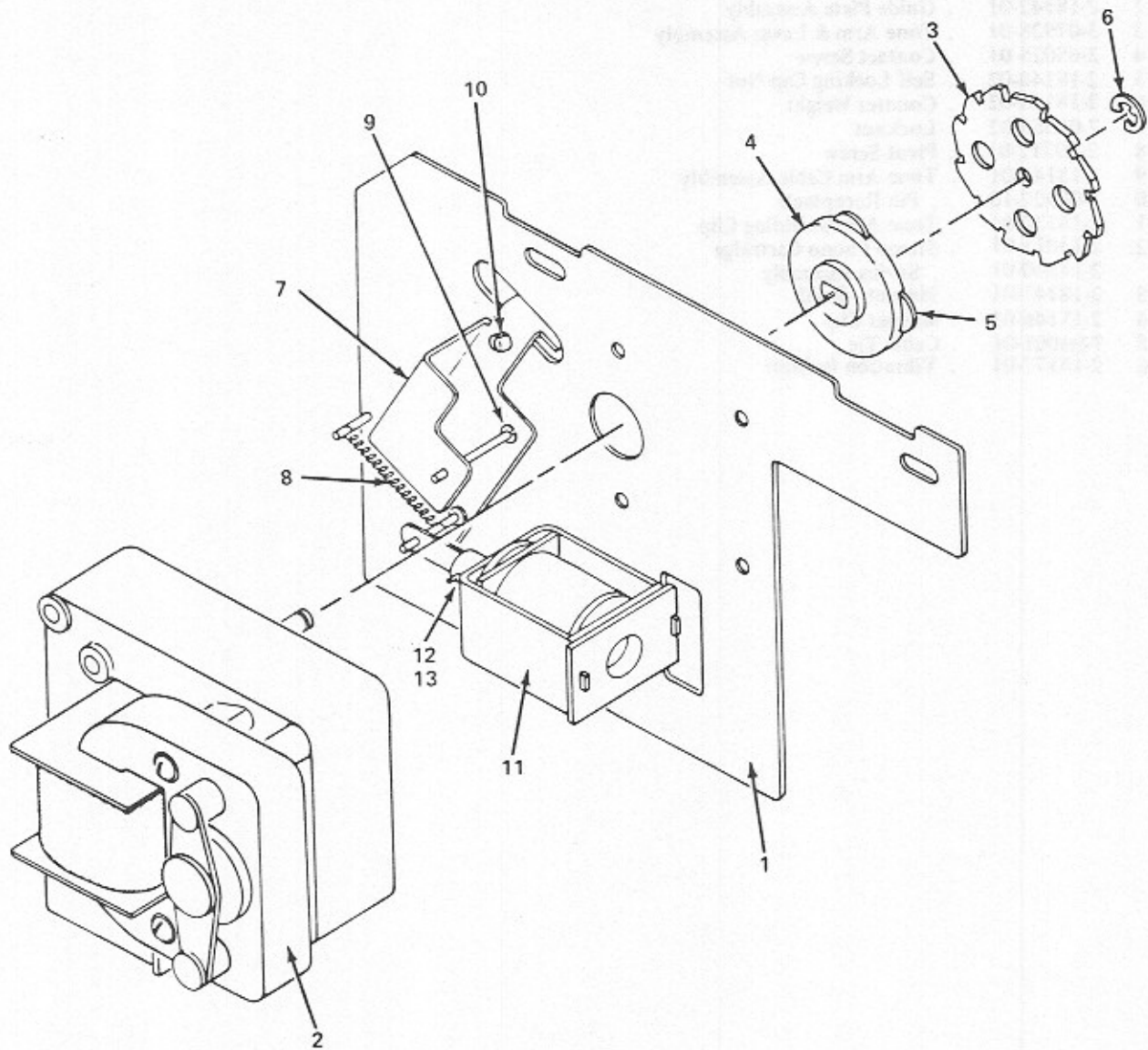


FIGURE
14

Sprag Assembly



**FIGURE
14**

FIG. AND INDEX NO.	ROWE PART NO.	DESCRIPTION	QTY. PER ASSY
14 -	4-07219-01	Sprag Assembly (Figure 12, item 23)	REF
1	3-07939-01	. Sprag Plate Assembly	1
2	4-07227-01	. Magazine Motor	1
3	4-07223-01	. Sprag Wheel	1
4	3-07933-01	. Sprag Wheel Hub	1
5	2-18161-01	. Stem Bushing	4
6	7-01430-03	. Retaining Ring	1
7	2-18160-01	. Sprag Lever Assembly	1
8	2-12562-01	. Tension Spring	1
9	7-01430-05	. Retaining Ring	1
10	2-51559-01	. Split Stem Bumper	2
11	2-11505-06	. Solenoid Assembly	1
12	2-10857-01	. Plunger Assembly	1
13	2-10849-02	. Plunger Stop	1

FIGURE 15

Cam Switch And Motor Assembly

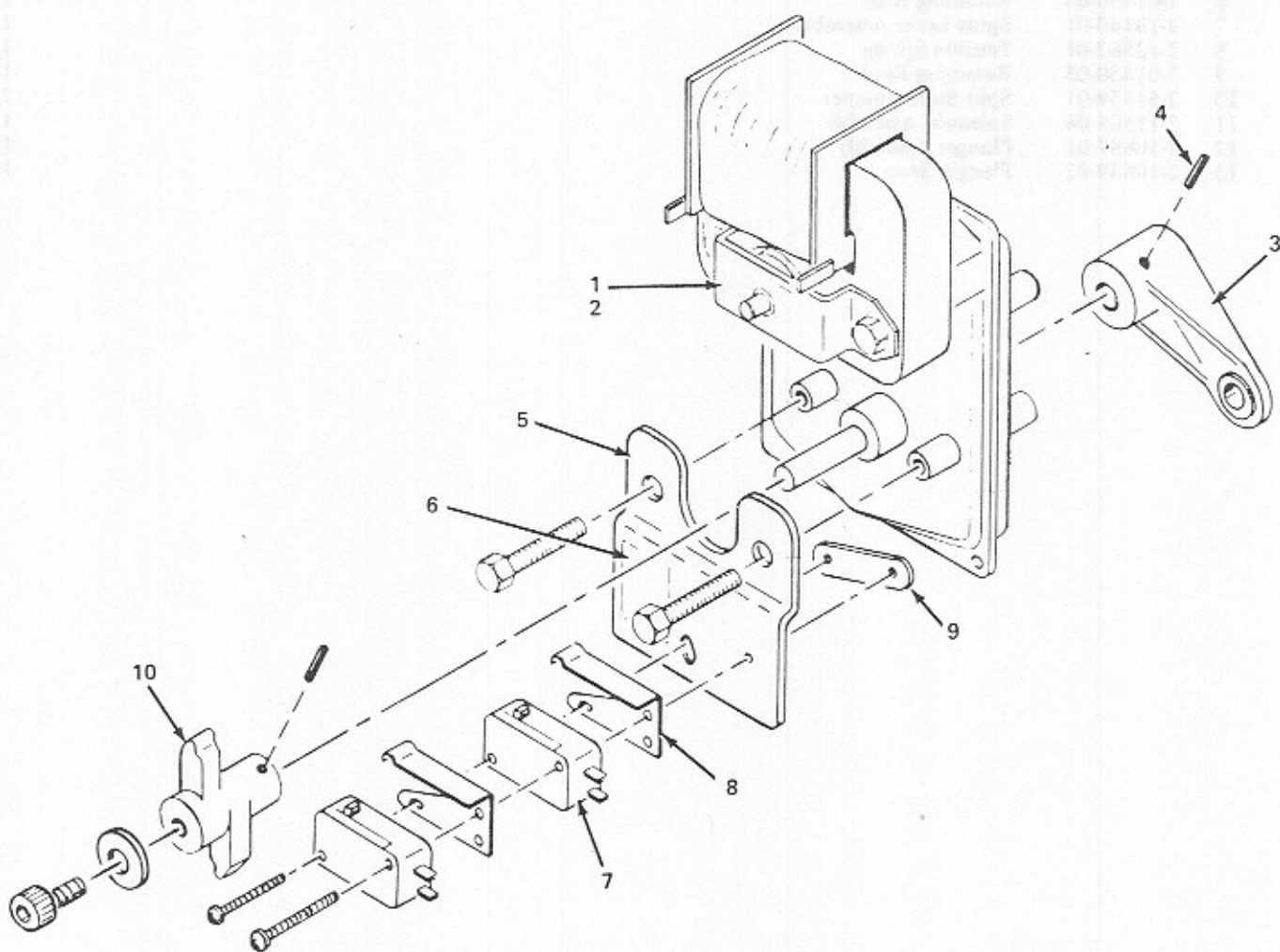


FIG. AND INDEX NO.	ROWE PART NO.	DESCRIPTION	QTY. PER ASSY
15-	4-07208-01	Cam Switch & Motor Assembly (Figure 12, item 14)	REF
1	3-07908-01	. Motor & Crank Assembly	1
2	4-07209-01	. . Cam Motor	1
3	2-18104-01	. . Trunnion Crank	1
4	7-01131-16	. . Roll Pin	2
5	3-07909-01	. . Switch Plate	1
6	2-18169-01	. Cam Switch Label	1
7	2-10731-01	. Switch	2
8	2-10829-01	. Switch Actuator	2
9	2-10830-01	. Twin Nut	1
10	3-07934-01	. Switch Cam	1