

## SECTION 7 - PARTS CATALOG

INTRODUCTION	93
DESCRIPTION	93
ORDERING REPLACEMENT PARTS	93
PARTS BREAKDOWN	93

### FIGURE

1	Phonograph Assembly, Model R-89	94
2	Front Door Assembly	106
3	Top Door Assembly	108
4	OEM Bill Acceptor Kit	112
5	Light Display Control Assembly	114
	Shell Assembly	115
6	Stereo Amplifier System Assembly	116
7	Heat Sink Assembly	118
8	Output Transformer Assembly	120
9	Central Control Computer	122
10	Main Power Supply	124
11	Mechanism Assembly	126
12	Tone Arm and Pivot Assembly	134
13	Sprag Assembly	135
14	Cam Switch and Motor Assembly	136

COUNTRY 1st & 2nd DIGIT	PACK 3rd DIGIT	R-89 SUB-ASSEMBLY 4th & 5th DIGIT	AMPLIFIER 6th DIGIT	BILL ACCEPTOR 7th DIGIT	COIN ACCEPTOR 8th DIGIT
01 = US					
02 = Arg					
03 = Australia					
04 = Aus					
05 = Bah					
06 = Belg					
07 = Canada					
08 = Chile					
09 = Col					
10 = Costa R					
11 = Neutral Stock					
12 = Denmark					
13 = Ecuador					
14 = El Salv					
15 = England					
16 = Finland					
17 = France					
18 = Germany					
19 =					
20 = Guat					
21 = Holland					
22 = Hon					
23 = Italy					
24 = Belize					
25 = Japan					
26 =					
27 = Nic					
28 = Norway					
29 = Aruba					
30 = Panama					
31 = Curaco					
32 =					
33 = Sweden					
34 = Swiss Fr					
35 = Swiss Ge					
36 = Swiss It					
37 = Trinidad					
38 =					
39 = Venez					
40 = Zambia					
41 = Puerto R					
42 = Guyana					
43 = Brazil					
44 = Barbados					
45 = Surinam					
46 = Yugo					
47 = S. Africa					

4th & 5th DIGIT	4th & 5th DIGIT	4th & 5th DIGIT
01-04 R-80	05-06 R-88 Audio	07-10 R-89
11-20 R-81	11-20 R-88 Video	
21-24 R-82	25-30 R-86	
31-34 R1-2	35-40 R1-4 & 5	
41-50 R1-3		41-50 R-89
51-54 CTT-1S	55-60 R-87	
61-70 R-83		
71-72 CTT-2	73-80 CTT-3	
81-90 R-84		
91-99 R-85		

0	1	2	3	4	5	6	7	8	9
None	3 Coin Acceptor = 4-06961-01	4 Coin Acceptor = 4-07156-01	Export Reflector (Special) 7-09519-XX	3 Coin Canadian Border = 4-06962-01	4 Coin Canadian Border = 4-07159-01 (5,10,25,50)	4 Coin 5 Acceptor = 4-07156-02 (5,10,25,5)	2 Coin Acceptor = 4-07156-03 (25,5)	Canadian Border 5 = 4-07159-02 (5,10,25,5)	

SAMPLE:

R-89 PHONOGRAPH CODE

REV. A

## INTRODUCTION

This parts catalog lists procurable replacement parts for the R-89 Phonograph.

The purpose of this parts catalog is to locate and identify replaceable components and to supply ordering information.

## DESCRIPTION

The parts catalog is divided into 14 major assemblies called "FIGURES" corresponding to the illustrations used. Some major assemblies require more than one illustration to identify the procurable parts, sheet numbers are assigned to the figure.

Parts of riveted or welded units are not listed since repair of these parts is normally impractical in the field, however, these parts are available as assemblies.

To be sure that this parts catalog contained the latest information, last minute revisions were made. In these instances the additions were added in sequence with a letter added to the identification numbers both in the parts list and corresponding illustrations. That is 1A, 1B, 1C, etc.

The Parts List contains four columns:

Fig. and Index No. - The first entry in this column lists the figure number of the corresponding illustration. An index number when listed corresponds to the index number appearing on the illustration. Index numbers are not used when:

- Items are listed for reference purposes only.
- The item listed is an alternate part.

Rowe Part No. - This column lists the part number of the item which should be specified for ordering purposes.

Description - This column contains a brief word description of the assembly or part. Each item is indented to show its proper relationship to the unit of which it is a part or to its next higher assembly.

Qty. Per Ass'y. - This column contains the quantity of the part used in the assembly. When a figure covers more than one model of an assembly, the "Qty. Per Ass'y." column is divided to show each model.

## ORDERING REPLACEMENT PARTS

All replacement parts must be ordered directly from an authorized ROWE Distributor.

Once the replacement item is determined, complete a standard parts order form available from your ROWE distributor at no charge. Very often parts orders are delayed because of inadequate or incomplete information. To insure prompt parts delivery always specify the following information.

- Part Number and Description. State color if applicable.
- Quantity required.
- Model and Serial Number of machine for which the repair part is needed.
- Complete shipping address including ZIP code.
- Shipping Instructions must be specified. If the shipping method selected is Parcel Post, Air Parcel Post, United Parcel Service or Air UPS, indicate an alternate shipping method if there is a possibility the packages may exceed the size and weight limits established by these services. If you would like ROWE to select the best way to ship your parts order, specify "BEST WAY". If fastest delivery is the requirement, specify "FASTEST WAY". ROWE will select the carrier for those orders which justify shipment by truck.



FIGURE  
1

# R-89 PHONOGRAPH ASSEMBLY SHEET 1

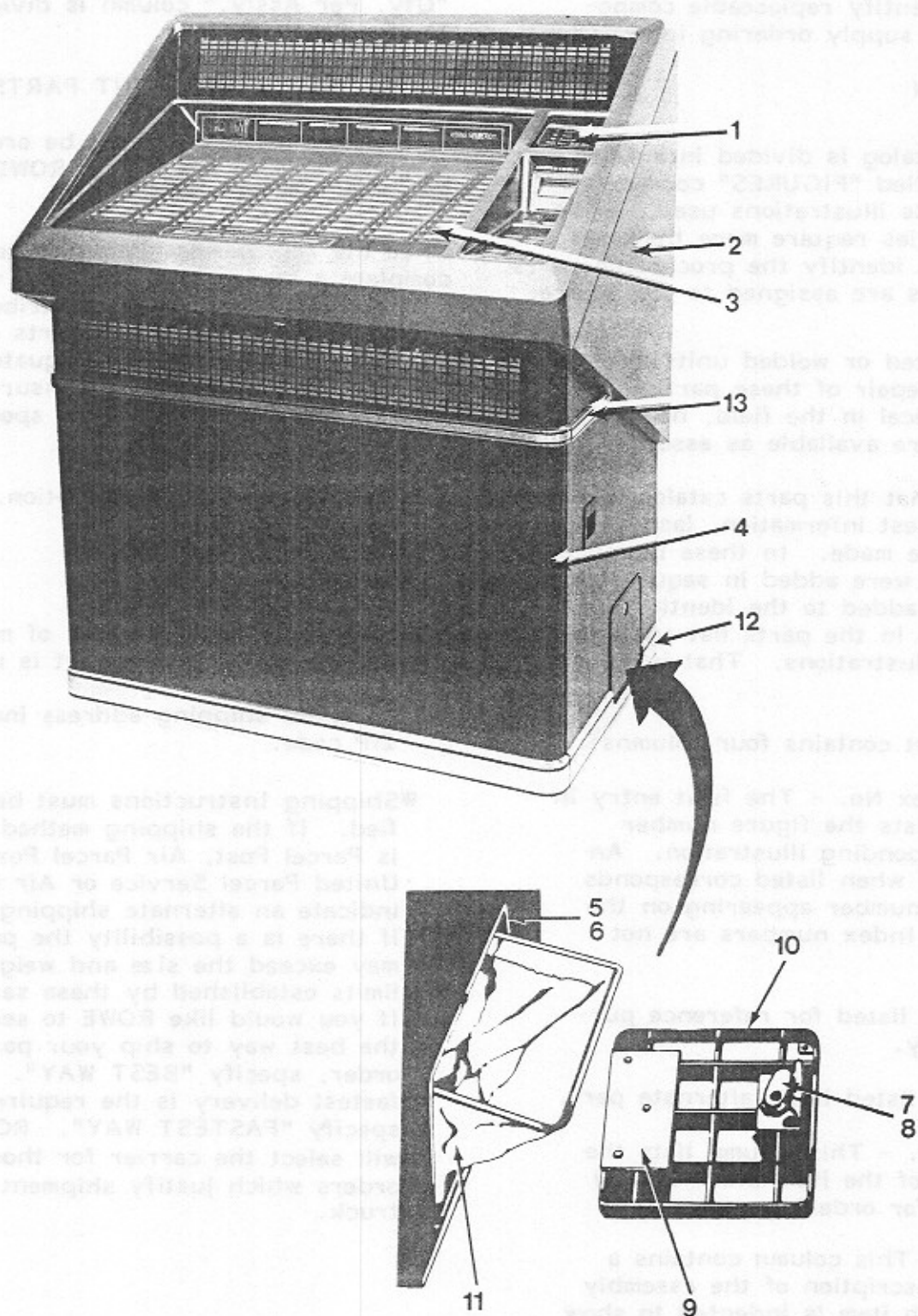




FIG. AND INDEX NO.	ROWE PART NO.	DESCRIPTION	QTY. PER ASSY
1-	See pg.	R-89 Phonograph Assembly (Sapphire 89) Blue	
1-	See pg.	R-89 Phonograph Assembly (Golden 89) Brown	
1	3-08857-01	. Standard Price Card.....	1
2	6-09802-01	. Side Trim Panel (LH) (Silver).....	1
	6-09803-01	. Side Trim Panel (RH) (Silver).....	1
	6-09802-02	. Side Trim Panel (LH) (Gold).....	1
	6-09803-02	. Side Trim Panel (RH) (Gold).....	1
3	6-09820-01	. Top Door (Sapphire 89).....	1
	6-09820-02	. Top Door (Golden 89).....	1
4	6-09821-01	. Front Door (Sapphire 89).....	1
	6-09821-02	. Front Door (Golden 89).....	1
5	4-05276-05	. Cash Box Door Frame.....	1
6	2-17760-05	. "U" Type Speed Clip.....	1
	2-11866-05	. Cash Box Door Assembly.....	1
7	7-01600-16	. Cylinder Lock.....	1
8	2-06695-01	. Lock Support.....	1
9	2-07703-01	. Catch Bracket.....	1
10	6-03267-05	. Cash Box Door.....	1
11	3-07026-01	. Cash Bag.....	1
12	4-07805-01	. Side Trim (RH) (Silver).....	1
	4-07804-01	. Side Trim (LH) (Silver) (Not Shown).....	1
	2-18823-01	. . Cup Washer (Not Shown).....	6
	4-07804-02	. Side Trim (LH) (Gold).....	1
	4-07805-02	. Side Trim (RH) (Gold).....	1
13	4-07802-03	. Side Trim (Upper) (Silver).....	2
	4-07802-04	. Side Trim (Upper) (Gold).....	2
	7-02125-07	. Felt Adhesive Tape.....	1
	4-07858-01	. Blockout Bracket (When Bill Acceptor is not used Not Shown)	1
	2-18841-01	. Blockout Assembly.....	1

**FIGURE  
1**

# R-89 PHONOGRAPH ASSEMBLY SHEET 2

QTY. PER ASSEMBLY	DESCRIPTION	ROW PART NO.	PIC. AND WEEK NO.
-------------------------	-------------	--------------------	----------------------------

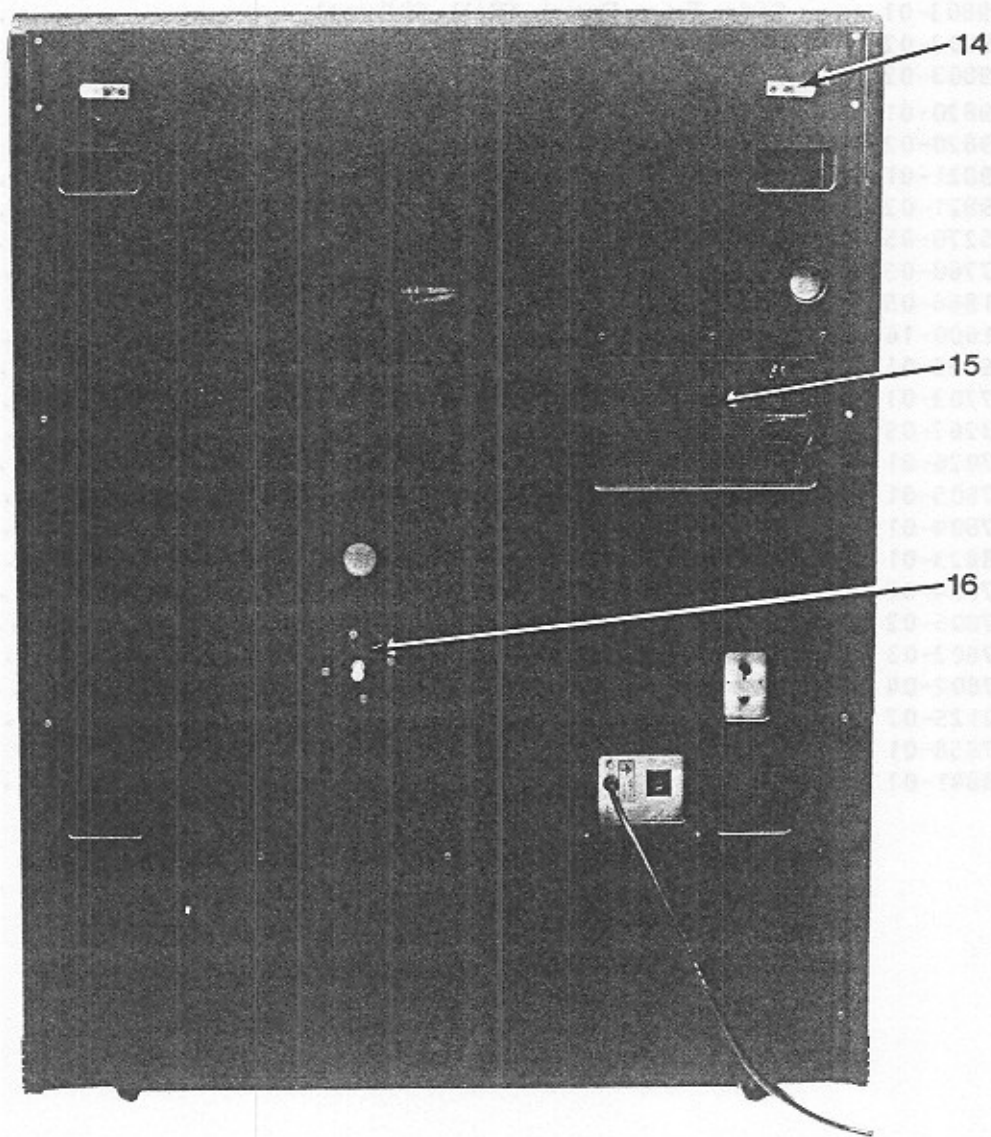


FIG. AND INDEX NO.	ROWE PART NO.	DESCRIPTION	QTY. PER ASSY
1-	See pg.	R-89 Phonograph Assembly (Sapphire 89) (Continued)	
1-	See pg.	R-89 Phonograph Assembly (Golden 89) (Continued)	
14	2-08795-02	. Retainer Bracket.....	2
15	3-08684-02	. Enclosure Screen.....	1
16	2-12652-03	. Tie Down Plate Assembly.....	1



FIGURE  
1

# R-89 PHONOGRAPH ASSEMBLY SHEET 3

YTD REV YSCA	DESCRIPTION	SWR PART NO	QTY AND INDEX NO
--------------------	-------------	-------------------	---------------------------

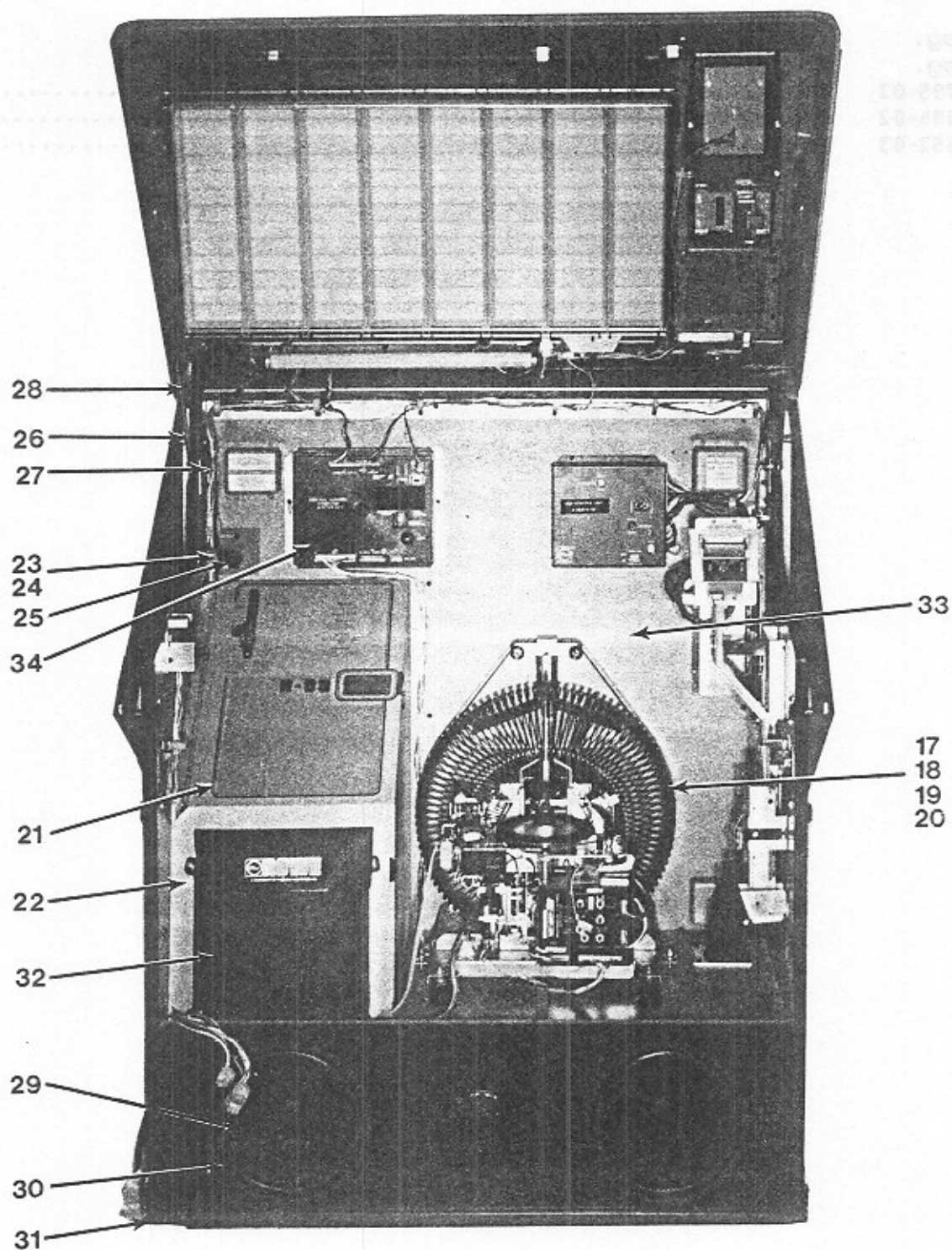
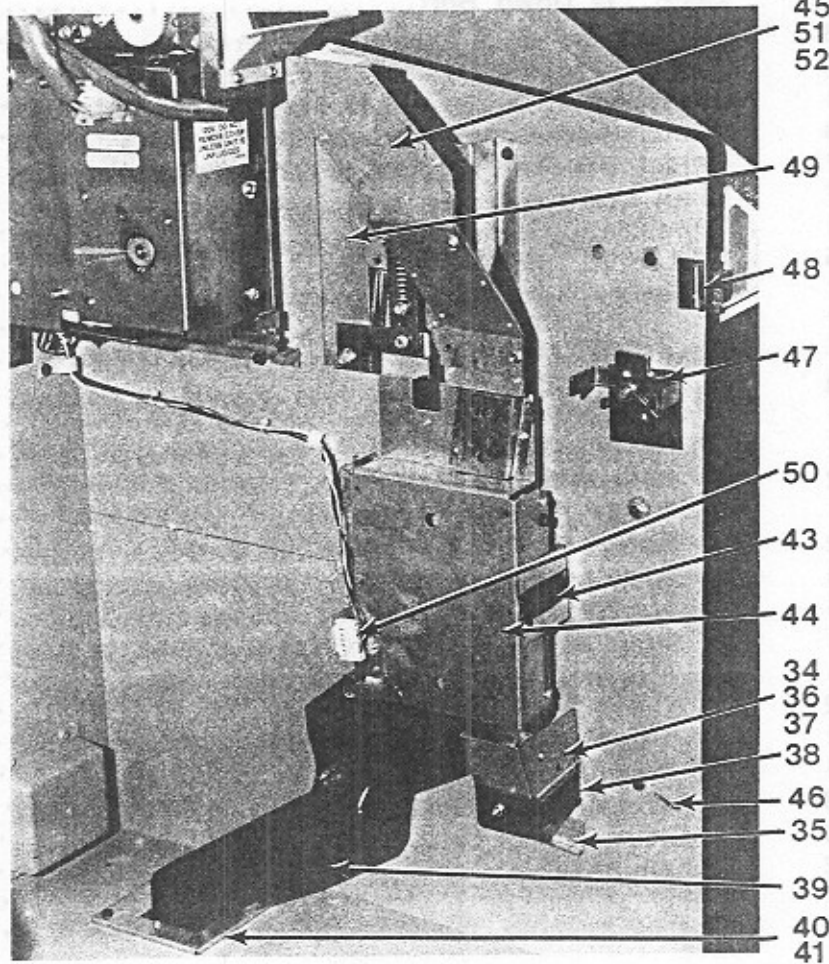


FIG. AND INDEX NO.	ROWE PART NO.	DESCRIPTION	QTY. PER ASSY
1-	See pg.	R-89 Phonograph Assembly (Sapphire 89) (Continued)	
1-	See pg.	R-89 Phonograph Assembly (Golden 89) (Continued)	
17	6-08700-01	. Mechanism Assembly (See Figure 11) (60Hz).....	1
18	6-08700-02	. Mechanism Assembly (See Figure 11) (50Hz).....	1
19	2-11537-01	. Lower Spring Support.....	4
20	2-12036-01	. Mech Tie Down Bolt.....	2
21	4-07726-03	. Hinge & Cover Assembly.....	1
22	3-08697-01	. Amplifier Panel Assembly.....	1
23	2-18235-01	. Catch Bracket.....	2
24	2-17518-04	. Spring Catch.....	3
25	2-17593-01	. Cord Hold Cover.....	2
26	3-08655-01	. Pivot Bracket.....	2
27	2-17976-01	. Ball Stud.....	2
28	4-07149-05	. Pneumatic Spring.....	2
29	4-07374-01	. Woofer.....	2
30	2-17807-01	. Speaker Retaining Bracket.....	8
31	6-09823-01	. Door Mtg. Bracket.....	1
32	2-17305-14	. Handycase Containing: (Not Shown).....	1
	2-11988-01	. . Accessories Bag.....	1
	7-00975-01	. . Contact (Pin).....	6
	7-00975-02	. . Contact (Socket).....	6
	7-00756-01	. . Contact (Post).....	10
	7-00910-12	. . Terminal Lug.....	10
	7-00720-10	. . Fuse (5 Amp).....	2
	7-00721-06	. . Fuse (5 Amp).....	2
	3-07922-01	. . Turntable Drive Belt.....	1
	2-18700-01	. . Snap-in Fastener.....	2
	3-08857-02	. . Alternate Price Card.....	1
	2-18633-01	. . Lamp & Envelope Assembly.....	1
	2-18622-01	. . . Lamp & Socket Assembly.....	5
	2-66908-09	. . Troubleshooting Aid.....	1
	2-66931-08	. . Accessories Booklet.....	1
	2-14043-02	. . Heat Label.....	1
33	6-09850-01	. Shell Assembly (Sapphire 89).....	1
	6-09850-02	. Shell Assembly (Golden 89).....	1

**FIGURE  
1**

# R-89 PHONOGRAPH ASSEMBLY SHEET 4

QTY PER ASBY	DESCRIPTION	ROWE PART NO.	FIG. AND INDEX NO.
--------------------	-------------	---------------------	-----------------------------



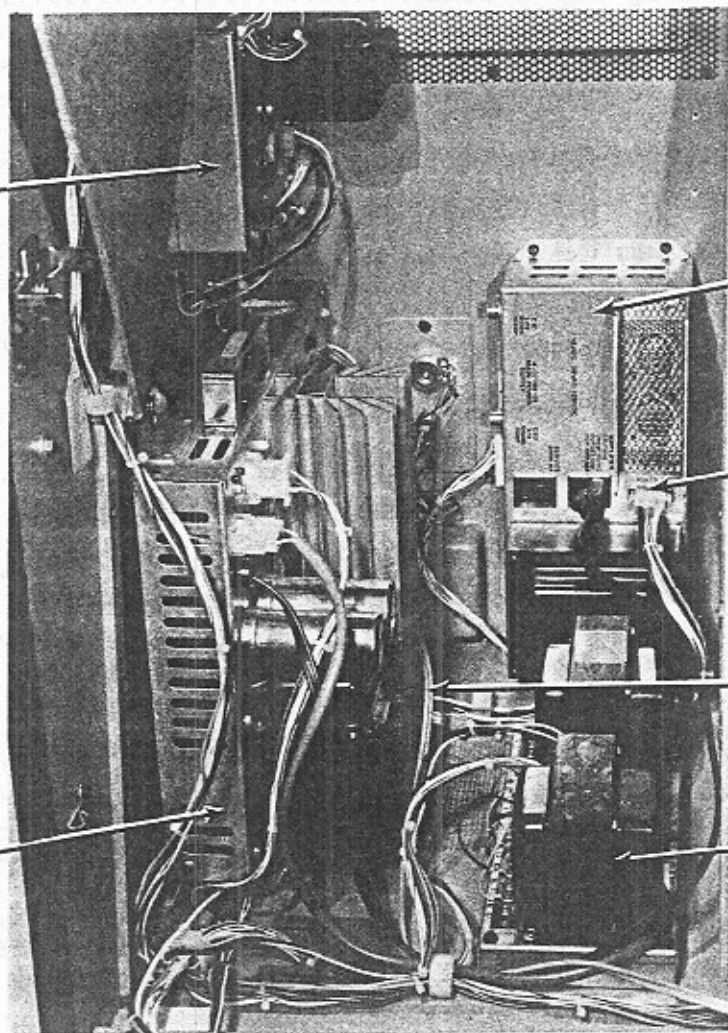
- 45
- 51
- 52
- 49
- 48
- 47
- 50
- 43
- 44
- 34
- 36
- 37
- 38
- 46
- 35
- 39
- 40
- 41



FIG. AND INDEX NO.	ROWE PART NO.	DESCRIPTION	QTY. PER ASSY
1-	See pg.	R-89 Phonograph Assembly (Sapphire 89) (Continued)	
1-	See pg.	R-89 Phonograph Assembly (Golden 89) (Continued)	
34	2-17412-01	. Slug Chute.....	1
35	2-17930-01	. Slug Cup Bracket.....	2
36	2-13578-02	. Elastic Stop Nut.....	1
37	2-17929-01	. Slug Cup Door.....	1
38	3-07817-02	. Slug Cup.....	1
	2-06368-01	. . Stud.....	1
	3-05787-02	. . Coin Switch Assembly.....	1
	2-17902-02	. . Rejector Hinge.....	1
	2-14114-01	. . Spacer (Not Used with 3 coin Rejector).....	1
	4-05793-01	. . Slug Rejector Mounting Bracket Assembly.....	1
45	3-08903-01	. . Coin Chute Assembly (Upper).....	1
	2-17901-01	. . Support Hinge.....	1
	4-07371-02	. . Slug Rejector Support.....	1
46	2-17300-01	. Fall Stop Hook.....	2
47	2-17128-01	. Latch Assembly (RH).....	1
	2-17127-01	. Latch Assembly (LH) (Not Shown).....	1
48	2-18840-01	. Upstop Bracket.....	2
49	4-07860-01	. Mounting Plate & Scavenger Assembly.....	1
	2-18844-01	. . Scavenger Link.....	1
	2-18845-01	. . . Scavenger Shaft.....	1
	2-17656-01	. . Compression Spring.....	1
	2-09225-02	. . . Spacer.....	4
	2-09225-25	. . . Spacer.....	4
	4-07865-01	. . Coin Chute Mounting Plate & Scavenger Assembly.....	1
	2-18453-01	. . Slug Rejector Actuator.....	1
	2-51569-04	. . Shoulder Washer.....	1
	2-12562-01	. . Tension Spring.....	1
50	3-08336-08	. Coin Switch Harness.....	1
51	3-08914-01	. Upper Mounting Support.....	1
52	3-08904-01	. Lower Mounting Support.....	1

# R-89 PHONOGRAPH ASSEMBLY SHEET 5

QTY. PER ASSEMBLY	DESCRIPTION	ROWS AND PART NO.	FIG. AND INDEX NO.
-------------------------	-------------	----------------------------	-----------------------------



61

58

59

60

60

56

54

53

55

57

FIG. AND INDEX NO.	ROWE PART NO.	DESCRIPTION	QTY. PER ASSY
1-	See pg.	R-89 Phonograph Assembly (Sapphire 89) (Continued)	
1-	See pg.	R-89 Phonograph Assembly (Golded 89) (Continued)	
53	6-07439-05	. 125 Watt Stereo Amplifier and Transformer Assembly.....	1
54	4-06336-05	. 125 Watt Output Transformer Assembly (See Figure 8).....	1
55	6-07438-06	. 125 Watt Stereo Amplifier (See Figure 6).....	1
56	3-08324-02	. Tone Arm Cable and Plug Assembly.....	1
57	4-02426-01	. Amplifier Mounting Bracket Assembly.....	1
58	4-07706-01	. Main Power Supply (120V) (See Figure 10).....	1
	4-65092-02/03	. Main Power Supply (220V, 240V).....	1
59	2-09256-01	. Junction Box Mounting Bracket.....	1
60	4-07819-01	. 110 Volt Harness Assembly.....	3
	3-07491-02	. Plug Housing.....	5
	7-00991-01	. Self-Stripping Splice.....	3
61	4-07800-01	. Light Display Controller (See Figure 5).....	1



FIGURE  
1

# R-89 PHONOGRAPH ASSEMBLY SHEET 6

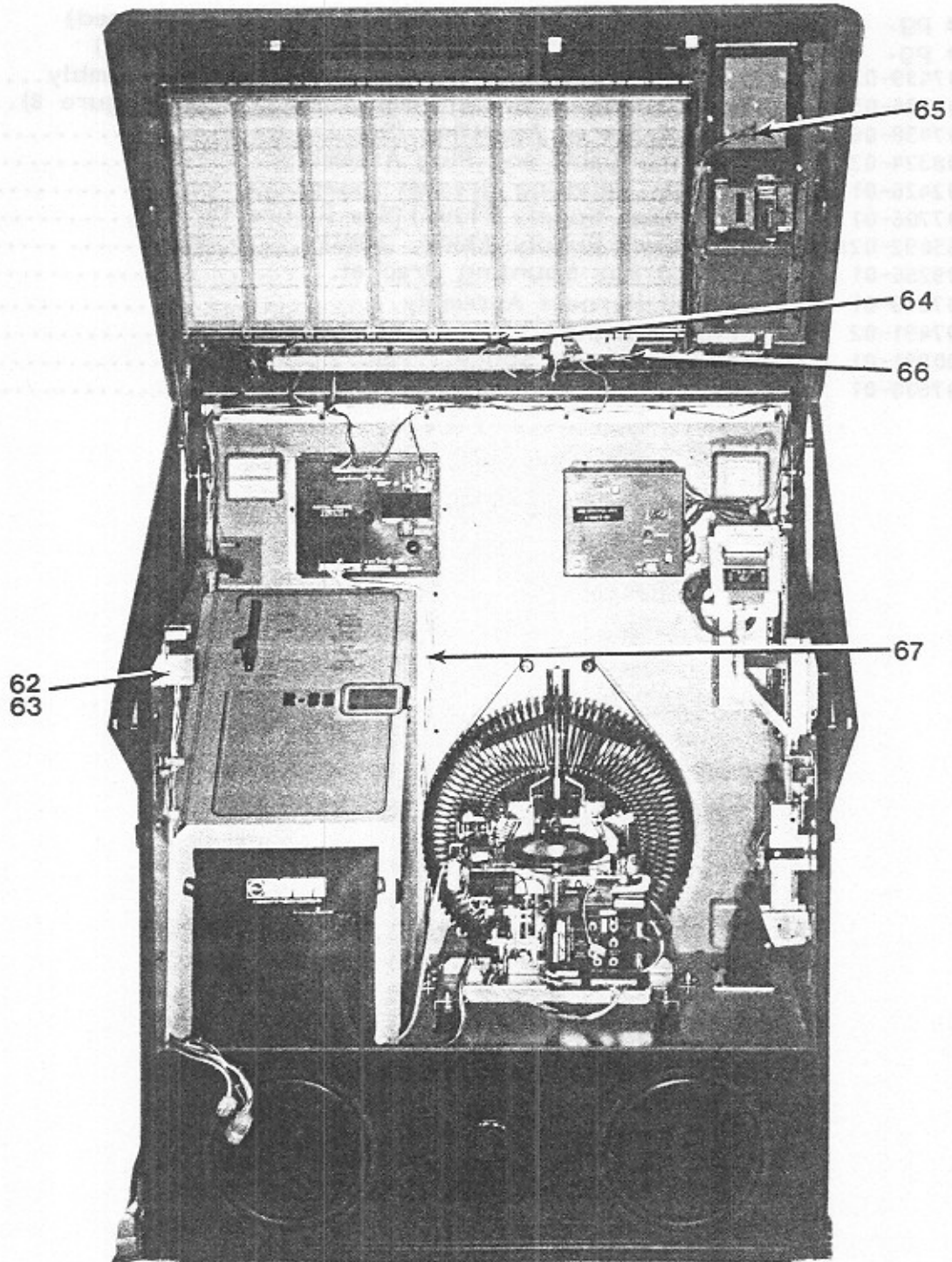


FIG. AND INDEX NO.	ROWE PART NO.	DESCRIPTION	QTY. PER ASSY
1-	See pg.	R-89 Phonograph Assembly (Sapphire 89) (Continued)	
1-	See pg.	R-89 Phonograph Assembly (Golden 89) (Continued)	
62	6-09819-01	. Harness & Switch Assembly.....	1
	7-00991-01	. . Self Stripping Splice.....	8
	3-07491-05	. . Housing Plug (9 Ckt).....	2
	7-00975-01	. . Universal Contact.....	13
	7-00975-02	. . Universal Contact.....	9
	3-07491-04	. . Plug Housing (Univ. Conn. - 6 Pin).....	1
	7-00755-05	. . Connector Housing.....	3
	7-00755-09	. . Connector Housing (9 Ckt).....	1
	7-00756-01	. . Contact Post.....	15
	3-07491-01	. . Plug Housing Universal Connector.....	1
	3-07491-08	. . Plug Housing Universal Connector.....	1
	7-00965-10	. . Terminal Strip.....	1
	7-00913-21	. . Slip-On Terminal Lug.....	13
	2-18805-01	. . Jumper.....	1
	2-18686-01	. . Volume Control Knob.....	1
	7-01855-11	. . Palnut.....	1
	2-13935-08	. . Volume Control & Terminal Assembly.....	1
	7-00757-01	. . Keying Plug.....	2
	2-15818-01	. . Pushbutton Switch.....	1
	7-00913-08	. . Slip-On Terminal Lug.....	1
	2-18680-01	. . Control Plate.....	1
	2-18697-01	. . Housing & Actuator Assembly.....	1
	2-18698-01	. . Housing Switch Assembly.....	1
	2-18696-01	. . Actuator Assembly.....	1
	7-00931-03	. . Cable Clamp.....	2
	7-00913-16	. . Slip-On Terminal Lug.....	11
	7-00915-12	. . Ring Terminal Lug.....	1
63	2-18837-01	. . Reset Actuator Assembly.....	1
64	3-08855-01	. . Digital Display Harness Assembly.....	1
65	3-08853-01	. . Keyboard Harness Assembly.....	1
66	3-08883-01	. . Make Selection Harness Assembly.....	1
67	3-08845-01	. . Mech. Computer Harness.....	1

FIGURE  
2

# FRONT DOOR ASSEMBLY

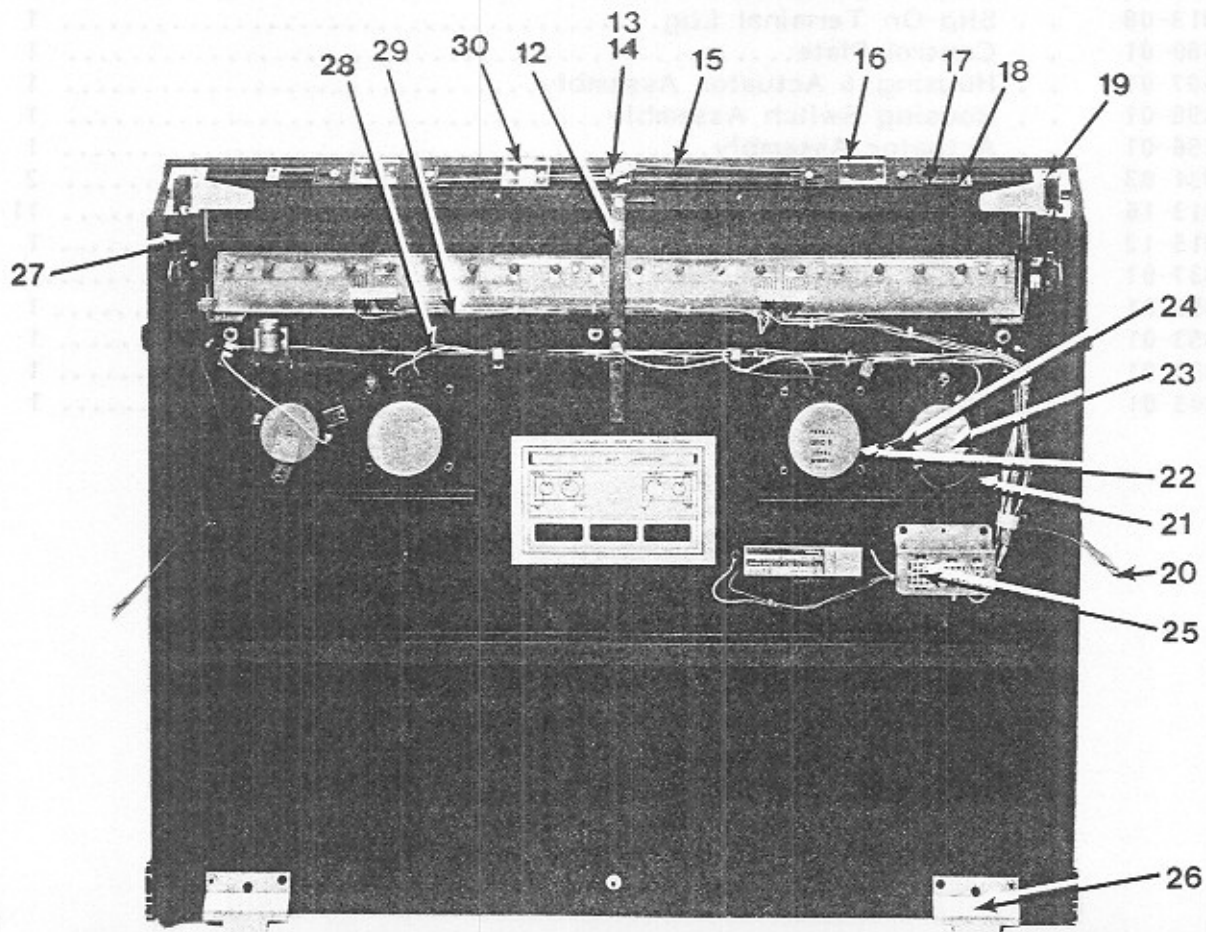
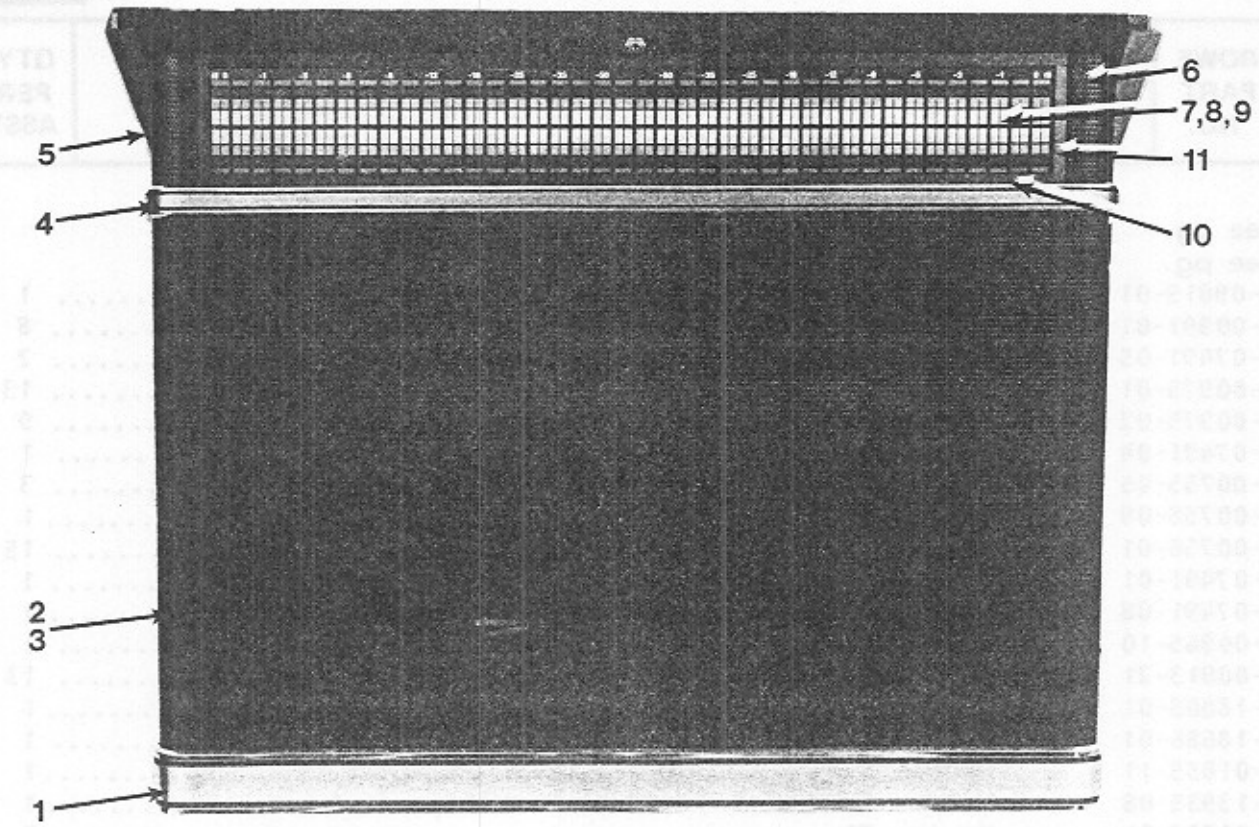


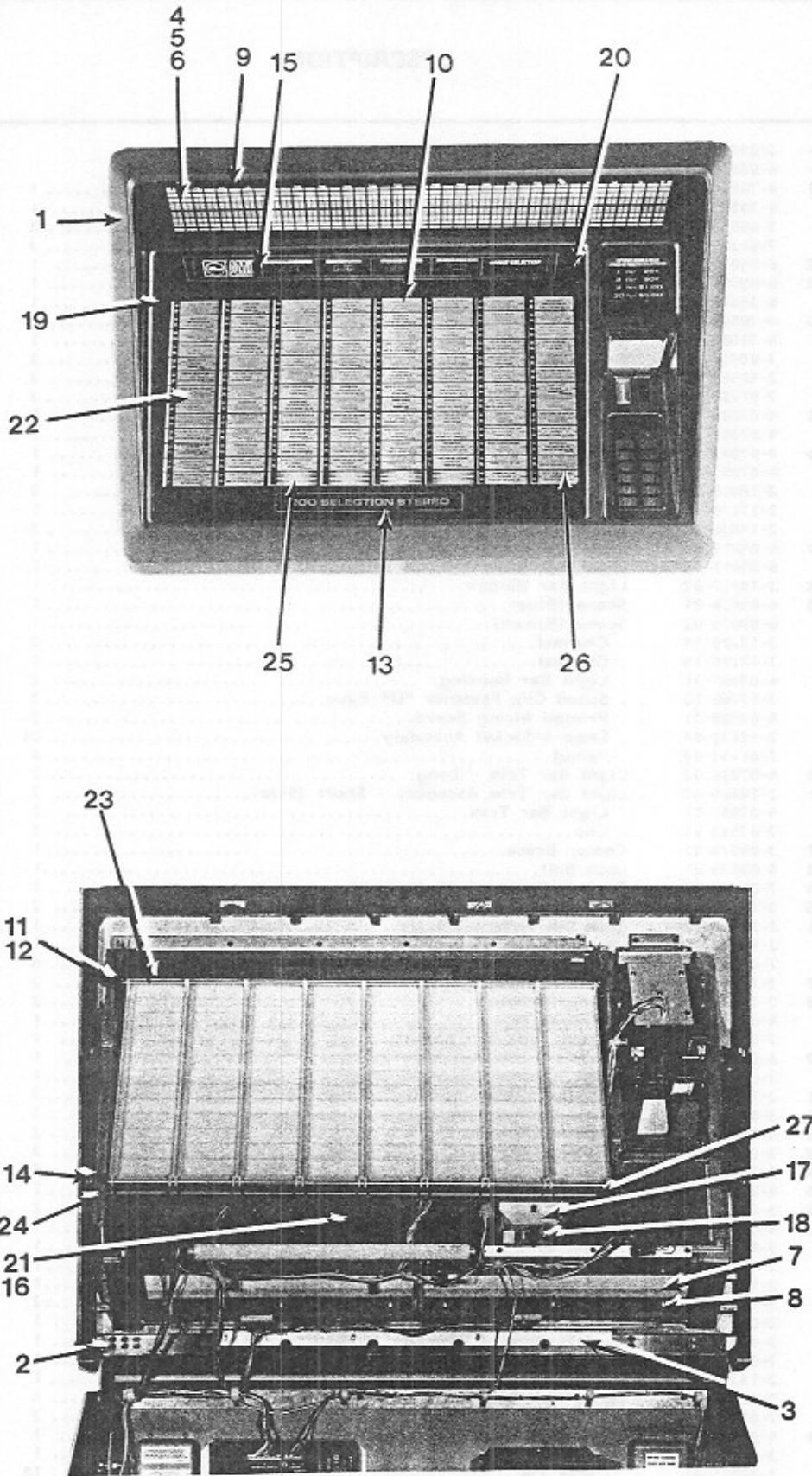


FIGURE  
2

FIG. AND INDEX NO.	ROWE PART NO.	DESCRIPTION	QTY. PER ASSY
2-	6-09821-01	Front Door Assembly (Sapphire 89)	
2-	6-09821-02	Front Door Assembly (Golden 89)	
1	4-70903-01	Door Trim (Silver).....	1
	4-70903-02	Door Trim (Gold).....	1
	3-08950-01	Extrusion T-Bolt.....	3
	7-01200-10	Washer.....	3
2	6-09814-01	Front Door Panel.....	1
3	6-09815-01	Front Door Grille (Black).....	1
	6-09815-02	Front Door Grille (Brown).....	1
4	4-70902-01	Cabinet Trim (Silver).....	1
	4-70902-02	Cabinet Trim (Gold).....	1
	3-08950-01	Extrusion T-Bolt.....	3
	2-51569-14	Spacer.....	3
	7-01200-10	Washer.....	3
5	4-07806-01	Post Grille (LH) (Black).....	1
	4-07806-02	Post Grille (LH) (Brown).....	1
6	4-07807-01	Post Grille (RH) (Black).....	1
	4-07807-02	Post Grille (RH) (Brown).....	1
	2-18819-01	Trim Retainer (Not Shown).....	2
	2-17870-03	Foamed Pad - Bottom Grille (Not Shown).....	1
	2-18830-01	Foamed Pad - Post Grille (Not Shown).....	2
7	6-09811-04	Light Bar Assembly (Sapphire).....	1
	6-09811-05	Light Bar Assembly (Golden).....	1
8	2-18217-02	Light Bar Window.....	1
9	6-09826-01	Scene (Blue).....	1
	6-09826-02	Scene (Brown).....	1
	2-18206-14	Channel.....	2
	2-18206-15	Channel.....	2
	6-09807-01	Light Bar Housing.....	2
	2-17760-10	Speed Clip Fastener "U" Type.....	2
	6-09808-01	Printed Wiring Board.....	2
	2-18622-01	Lamp & Socket Assembly.....	20
	7-01355-08	Pinnut.....	6
10	4-07851-02	Light Bar Trim - Long.....	2
11	2-18804-02	Light Bar Trim Assembly - Short (Side).....	2
	4-07851-01	Light Bar Trim.....	2
	2-07545-01	Clip.....	2
12	3-08878-01	Center Brace.....	1
13	6-09835-01	Lock Bolt.....	1
14	7-01632-06	Common Keying Cylinder Lock.....	1
15	2-17249-03	Lock Bar Link.....	2
16	2-18651-02	Lock Bar Assembly (LH).....	1
	2-18652-02	Lock Bar Assembly (RH).....	1
	2-09225-02	Spacer.....	4
17	2-12562-01	Tension Spring.....	2
18	2-15674-01	Spring Retainer.....	2
	4-07835-01	Seal Bracket.....	1
	7-02204-53	Foamed Tape (Not Shown).....	1
19	3-08881-01	Brace & Strike Assembly (LH).....	1
	3-08882-01	Brace & Strike Assembly (RH).....	1
20	2-15276-01	Fall Stop Cable.....	2
21	3-08874-01	Speaker Panel Assembly.....	2
22	4-07822-01	Speaker Midrange.....	2
23	3-08876-01	Speaker Tweeter.....	2
24	2-18825-01	Speaker Clamp.....	6
25	4-07853-01	Universal Connector Mounting Bracket.....	1
26	3-08852-01	Door Hanger.....	2
27	4-07816-01	Light Harness Assembly (60Hz).....	1
	3-08594-01	Ballast 30W.....	1
	2-18827-01	Lamp Bracket (LH).....	1
	2-18828-01	Lamp Bracket (RH).....	1
	2-18267-19	Lamp Holder.....	2
	2-00295-01	Starter Socket.....	1
	3-07490-02	Cap Housing.....	1
	7-00975-04	Contact.....	1
	2-18322-02	Starter Socket Bracket.....	1
	7-00993-01	Self Stripping Splice.....	4
	7-00991-01	Self Stripping Splice.....	2
28	4-07857-01	Front Door Speakers Harness Assembly.....	1
	3-07490-05	Cap Housing.....	1
	7-08001-01	Cable Tie.....	14
	7-00934-01	Cable Clamps.....	4
	7-00934-02	Cable Clamps.....	1
29	4-07855-01	Bar Graphics Harness Assembly.....	1
30	2-18816-01	Guide.....	1

FIGURE  
3

# TOP DOOR ASSEMBLY



ROW	NO.
TRAIL	NO.
INDEX	NO.

**FIGURE  
3**

FIG. AND INDEX NO.	ROWE PART NO.	DESCRIPTION	QTY. PER ASSY
3-	6-09820-01	Top Door Assembly (Sapphire 89)	
3-	6-09820-02	Top Door Assembly (Golden 89)	
1	6-09804-01	. Top Door Frame (Silver).....	1
	6-09804-02	. Top Door Frame (Gold).....	1
2	4-07823-01	. Hinge.....	1
3	3-08859-01	. Light Bar Retainer.....	1
4	6-09811-01	. Light Bar Assembly (Black).....	1
	6-09811-02	. Light Bar Assembly (Brown).....	1
5	2-18217-02	. Light Bar Window.....	1
6	6-09826-01	. Scene (Black).....	1
	6-09826-02	. Scene (Brown).....	1
	2-18206-14	. Channel.....	2
	2-18206-15	. Channel.....	2
7	6-09807-01	. Light Bar Housing.....	2
	2-17760-10	. Speed Clip Fastener "U" Type.....	2
	6-09808-01	. Printed Wiring Board.....	2
8	2-18622-01	. Lamp & Socket Assembly.....	20
	7-01355-08	. Palnut.....	6
9	4-07814-02	. Light Bar Trim.....	2
	2-18804-01	. Light Bar Trim Assembly.....	2
	7-02122-03	. Closed Cell (Sponge Rubber).....	2
	7-02122-04	. Closed Cell (Sponge Rubber).....	2
10	2-18456-04	. Window.....	1
11	6-09824-01	. Title Rack Housing Assembly (Black).....	1
	6-09824-02	. Title Rack Housing Assembly (Brown).....	1
12	6-09818-01	. Title Rack Housing.....	1
13	3-08863-01	. Selection Decal.....	1
14	3-08901-01	. Title Rack Hanger Assembly (LH).....	1
	3-08902-01	. Title Rack Hanger Assembly (RH).....	1
15	6-09827-01	. Digital Display Decal (Black).....	1
	6-09827-02	. Digital Display Decal (Brown).....	1
16	6-09833-01	. Digital Display Assembly.....	1
17	4-07828-01	. Lamp Housing.....	1
18	4-07845-01	. Printed Wiring Board (2 Lamp).....	1
	7-05002-09	. Self-Retaining Spacer.....	3
19	3-08866-01	. License Holder.....	2
20	2-18807-01	. License Retainer.....	2
	7-01355-08	. Palnut.....	4
21	4-07863-01	. Digital Display Board Cover.....	1
22	4-07826-01	. Title Rack Assembly.....	1
	6-07571-02	. Title Rack.....	8
	3-08867-01	. Number Strip.....	1
	3-08867-02	. Number Strip.....	1
	3-08867-03	. Number Strip.....	1
	3-08867-04	. Number Strip.....	1
	3-08867-05	. Number Strip.....	1
	3-08867-06	. Number Strip.....	1
	3-08867-07	. Number Strip.....	1
	3-08867-08	. Number Strip.....	1
23	2-17944-14	. Rod.....	1
24	2-17944-15	. Rod.....	1
	7-01430-03	. External Retaining Ring.....	2
	2-15689-01	. Push Clip Nut.....	2
25	2-18846-01	. Decorative Strip.....	4
26	4-07827-01	. Title Blockout Assembly.....	1
	6-09817-01	. Title Blockout.....	4
27	2-17944-16	. Rod.....	2
	7-01430-03	. External Retaining Ring.....	2
	2-15689-01	. Push Clip Nut.....	2
	7-02204-75	. Foamed Tape.....	1



**FIGURE  
3**

# TOP DOOR ASSEMBLY

YTD PRT Y88A	DESCRIPTION	QTY TRK ON	P/N DIA CHK ON

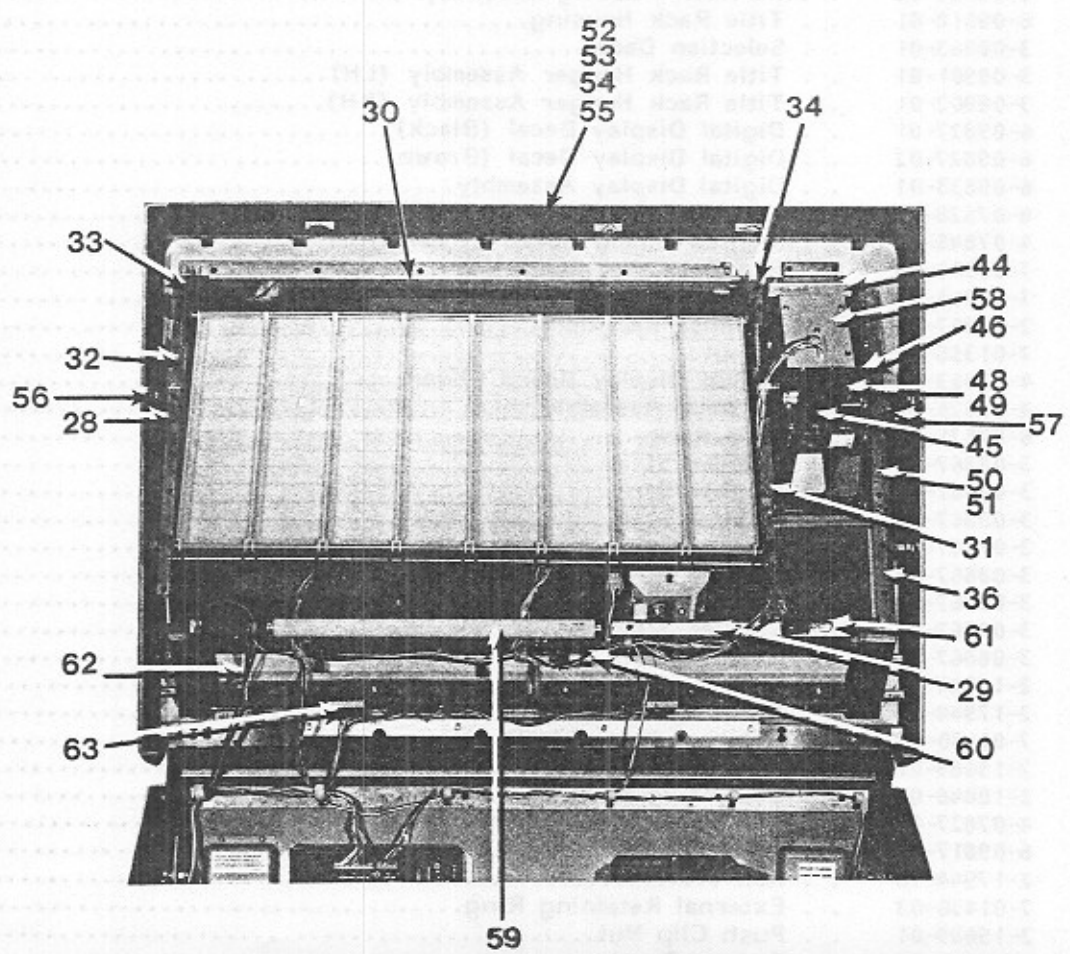
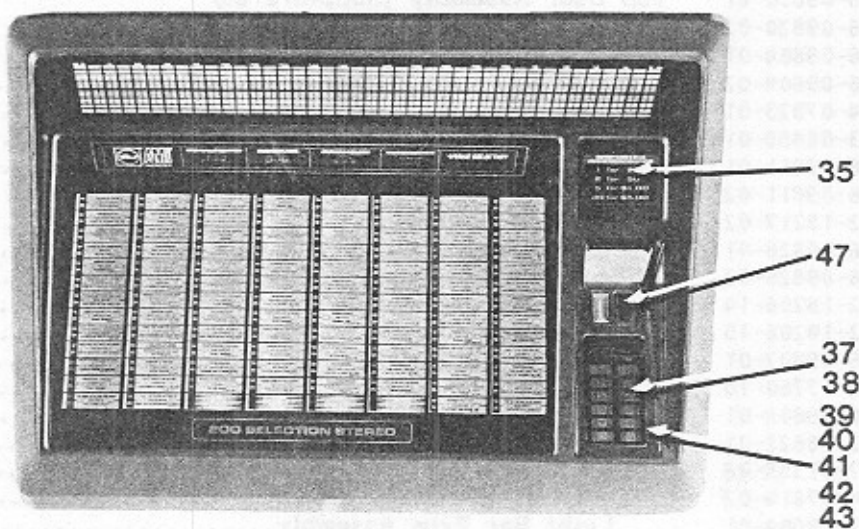
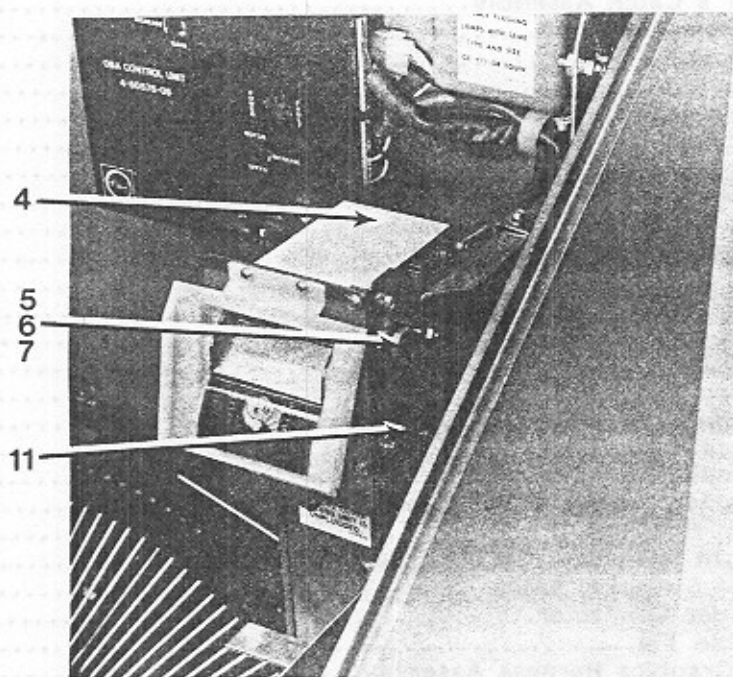
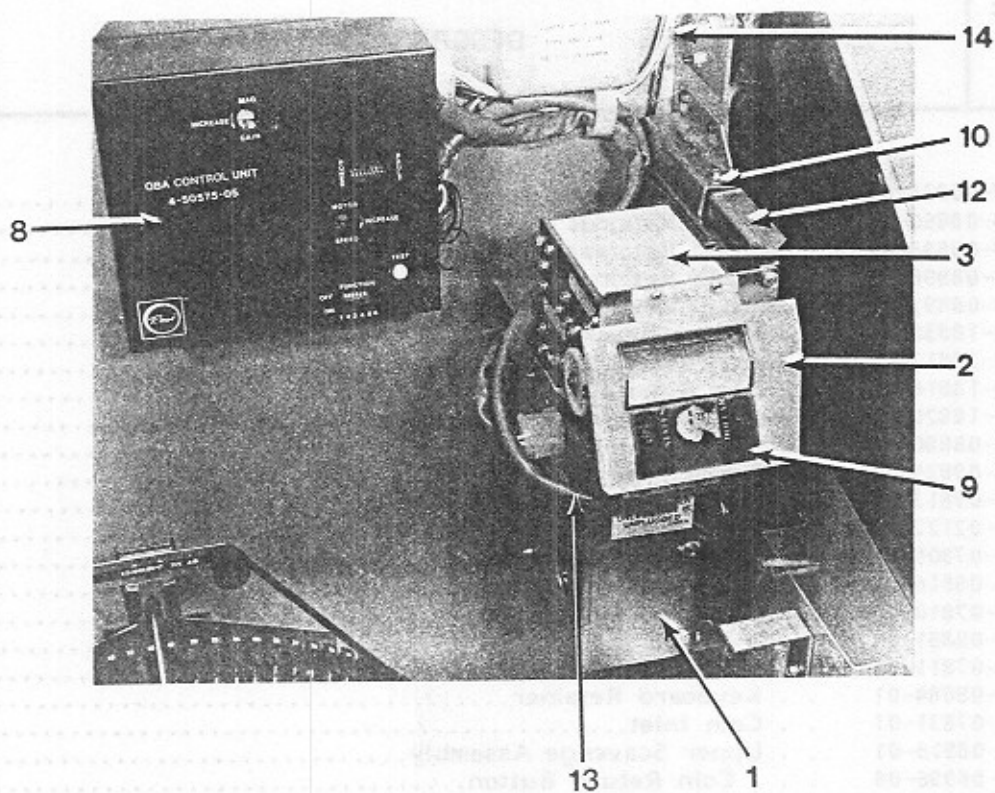


FIGURE  
3

FIG. AND INDEX NO.	ROWE PART NO.	DESCRIPTION	QTY. PER ASSY
	7-00934-01	. . Cable Clamps.....	4
28	3-08860-01	. Shroud Retainer (LH).....	1
29	3-08895-01	. Shroud Retainer (Bottom).....	1
30	3-08896-01	. Shroud Retainer (Top).....	1
31	3-08891-01	. Shroud Retainer (RH).....	1
32	2-18838-01	. Actuator Bracket.....	1
33	2-18817-01	. Catch Assembly (LH).....	1
34	2-18818-01	. Catch Assembly (RH).....	1
35	2-18829-01	. Price Card Window.....	1
36	3-08880-01	. Price Card Retainer.....	1
37	6-09825-01	. Selector Assembly.....	1
38	6-09813-01	. . Selector Housing.....	1
	7-02122-05	. . Sponge Rubber Closed Cell.....	1
39	4-07809-01	. . Keyboard Assembly.....	1
40	6-09816-01	. . . Light Conducting Panel.....	1
41	4-07810-01	. . . Swith Assembly.....	1
42	3-08851-01	. . . Switch Button.....	12
43	4-07811-01	. . . Selector Overlay.....	1
44	3-08884-01	. . Keyboard Retainer.....	1
45	4-07831-01	. . Coin Inlet.....	1
46	3-08916-01	. . Upper Scavenge Assembly.....	1
47	3-06996-06	. . . Coin Return Button.....	1
48	2-18229-01	. . . Spring.....	1
49	2-17413-03	. . . Coin Return Shaft.....	1
	2-18348-01	. . . Channel.....	2
50	3-08899-01	. Selector Retainer.....	1
51	3-08861-01	. Selector Retainer.....	2
52	2-18803-01	. Trim & Catch Assembly.....	1
53	4-07832-01	. . Catch Trim.....	1
54	2-18814-01	. . Strike.....	2
55	2-18815-01	. . Guide.....	1
56	3-08888-01	. Door Support Assembly (LH).....	1
57	3-08889-01	. Door Support Assembly (RH).....	1
	7-02204-74	. Foamed Tape.....	1
	7-00931-05	. Cable Clamp.....	1
58	7-02124-06	. Cork Composition Strip.....	1
59	7-00600-22	. Flourescent Lamp.....	1
60	7-00800-01	. Flourescent Starter.....	1
61	7-00604-14	. Global Lamp.....	1
62	4-07817-01	. Light Harness Assembly (60Hz).....	1
	3-08595-01	. . Ballast (15W, 60Hz).....	1
	2-18322-06	. . Lamp Bracket.....	2
	2-18322-07	. . Lamp Bracket.....	1
	2-18267-19	. . Flourescent Lamp Holder.....	2
	2-18834-01	. . Candleabra Lampholder.....	1
	2-00295-01	. . Starter Socket.....	1
	3-07490-02	. . Cap Housing.....	1
	4-07817-10	. . Light Harness.....	1
	7-00901-01	. . Self Stripping Splice.....	2
	7-00921-04	. . Solder Connector.....	2
	7-08001-01	. . Cable Tie.....	15
63	4-07854-01	. Bar Graphics Harness Assembly.....	1
	7-00755-12	. . Connector Housing.....	1
	7-00757-01	. . Keying Plug.....	1
	7-08001-01	. . Cable Tie.....	12

**FIGURE  
4**

# OEM BILL ACCEPTOR KIT





**FIGURE  
4**

FIG. AND INDEX NO.	ROWE PART NO.	DESCRIPTION	QTY. PER ASSY
4-	6-50570-12	OEM Bill Acceptor Kit-Factory Installed	
	6-50570-13	OEM Bill Acceptor Kit-Field Installed	
1	6-09715-01	. Bill Stacker Assembly (See OBA Manual for P.L.).....	1
2	6-09718-02	. OBA Transport & Support Assembly (See OBA for P.L.).....	1
3	2-12848-02	. Reflector.....	1
4	2-52137-01	. Light Block - Back.....	1
5	3-08588-01	. Slide Bar Assembly.....	1
6	2-18752-01	. Spacer - Slide.....	2
7	87844400	. #10-32 Machine Screw Keps Nut.....	2
8	4-50575-05	. OBA Control Unit (See OBA for P.L.).....	1
9	3-08910-01	. Label - Bill Insertion.....	1
	2-18832-01	. Decal - \$1 & \$5 (Not Shown).....	1
10	2-52126-01	. Clamp - Slide Bar.....	1
11	2-18282-01	. Spacer - Roller.....	1
12	4-07841-01	. Mounting Plate.....	1
13	4-50576-06	. Harness - Interconnect.....	1
14	6-09721-07	. Harness Assembly - OBA Stacker.....	1

**FIGURE 5**

# LIGHT DISPLAY CONTROL

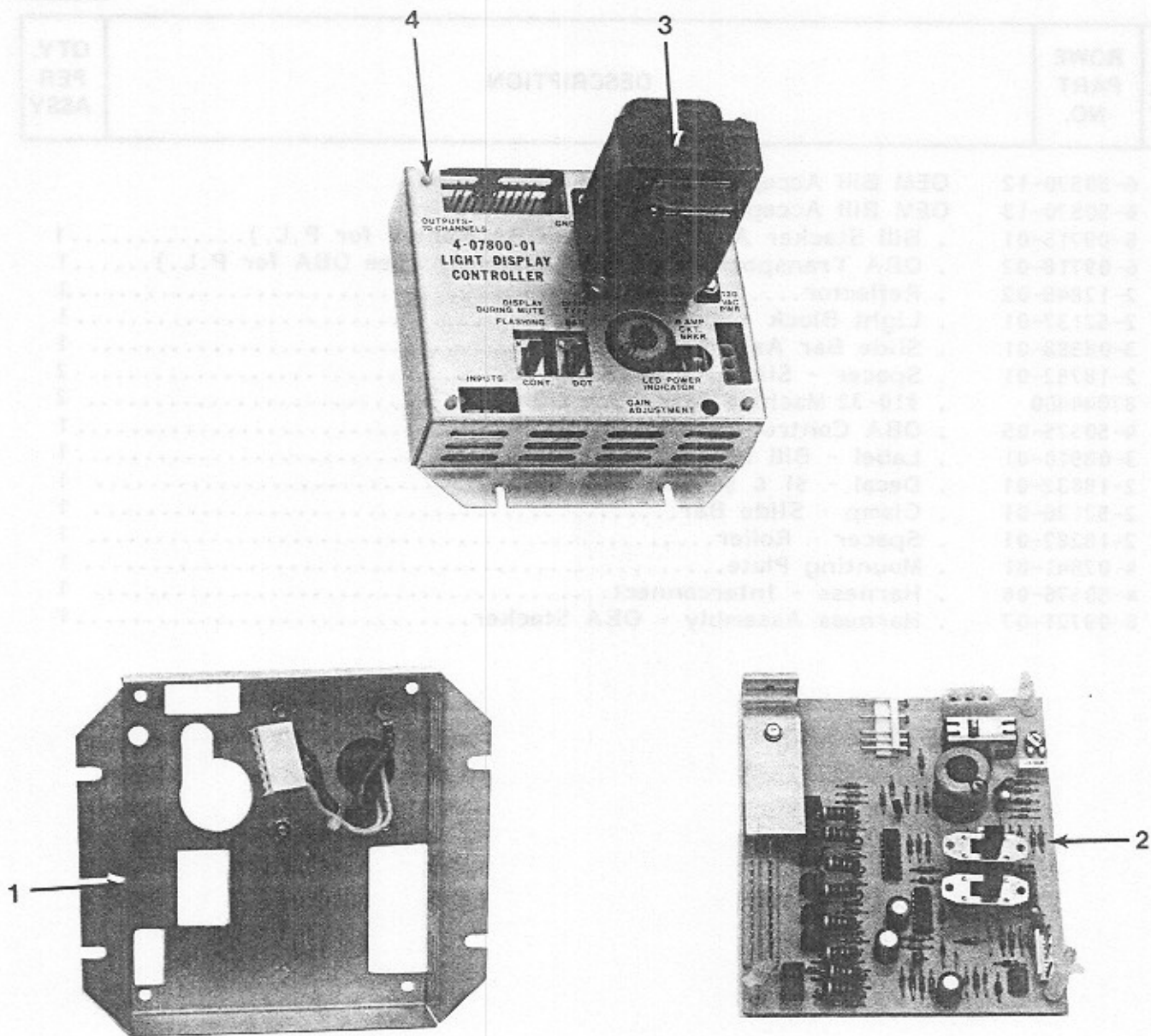


FIG. AND INDEX NO.	ROWE PART NO.	DESCRIPTION	QTY. PER ASSY
5-	4-07800-01	Light Display Controller Assembly	
1	4-07866-01	. Cover.....	1
2	6-09805-01	. Circuit Board Assembly.....	1
3	4-07502-02	. Transformer.....	1
4	7-05000-13	. Circuit Board Support.....	1

# SHELL ASSEMBLY

FIG. AND INDEX NO.	ROWE PART NO.	DESCRIPTION	QTY. PER ASSY
5-	6-09850-01	Shell Assembly (Sapphire 89)	
5-	6-09850-02	Shell Assembly (Golden 89)	
	2-15372-01	. Teenut (Mechanism Tie Down).....	2
	2-17506-12	. Vent Tube.....	1
	2-17506-15	. Vent Tube.....	1
	7-02401-26	. Wire Mesh Screen.....	1
	3-06257-01	. Hand Hole Cover.....	4
	2-14518-01	. Lock Spring.....	1
	3-06340-01	. Caster & Cup Assembly.....	4
	4-07802-06	. Skid Rail.....	1
	2-09326-01	. Teenut.....	2
	6-09279-01	. Cash Bag Bracket.....	1



**FIGURE 6**

# STEREO AMPLIFIER SYSTEM ASSEMBLY

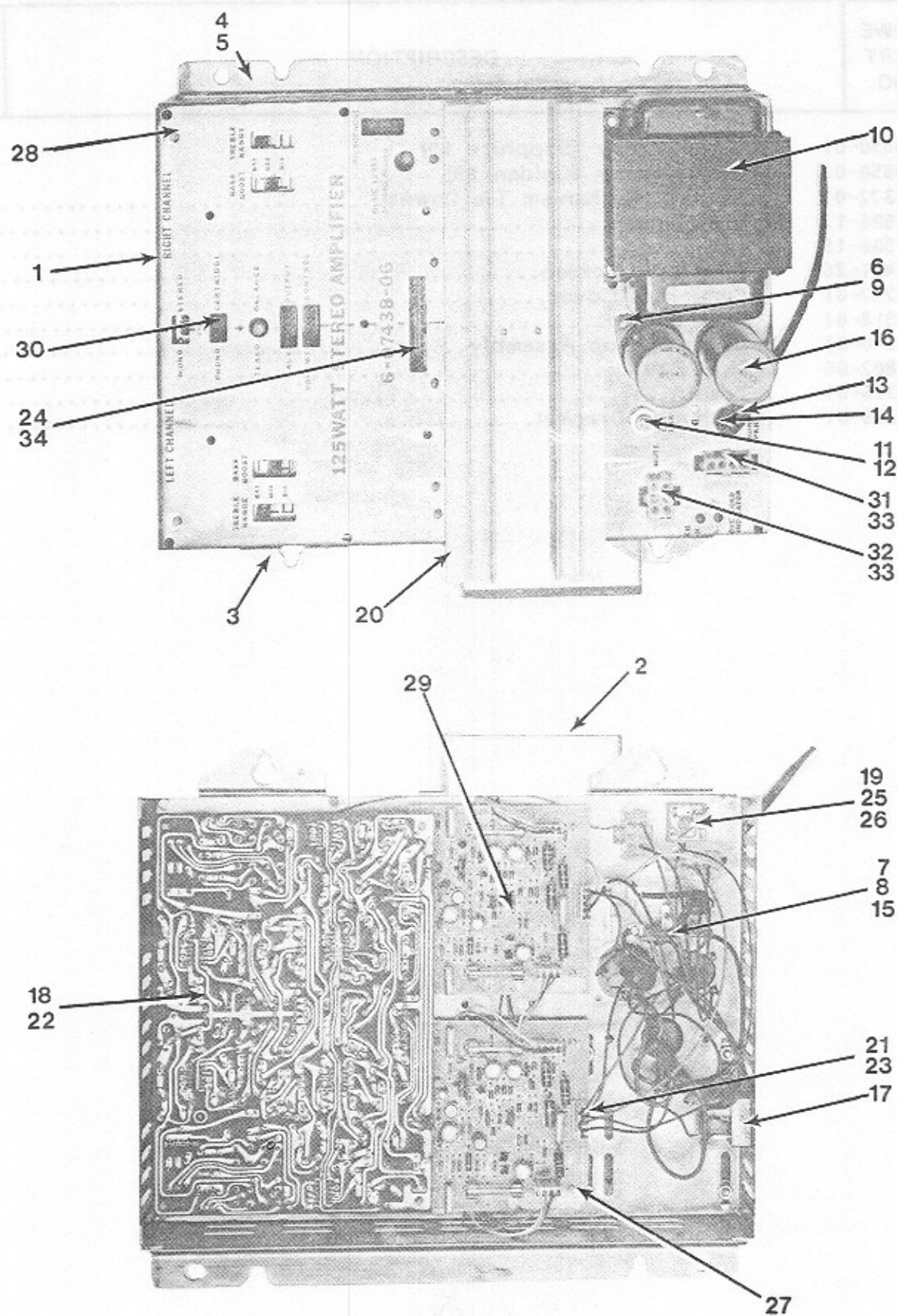


FIG. AND INDEX NO.	ROWE PART NO.	DESCRIPTION	QTY. PER ASSY
		Stereo Amplifier Assembly (Figure 1, Item 75)	REF
6-	6-07438-06	. Stereo Amplifier Assembly	1
1	6-07441-05	. Chassis Assembly	1
2	2-14881-01	. Handle	2
3	2-09272-01	. Mounting Bracket	1
4	3-06273-01	. Mounting Bracket	10
5	7-01113-20	. Semi Tubular Rivet	1
6	2-13910-01	. Mounting Wafer	1
7	2-17241-01	. Terminal Strip	1
8	7-01110-26	. Semi Tubular Rivet	2
9	7-01110-07	. Semi Tubular Rivet	1
10	4-07378-03	. Power Transformer	1
11	7-00733-11	. Circuit Breaker	1
12	7-01220-11	. Washer	1
13	7-00502-02	. 3 Conductor Cord & Plug	1
14	7-02322-05	. Strain Relief	1
15	7-00213-01	. Mylar Capacitor	2
16	2-18231-01	. Electrolytic Capacitor	1
17	2-18225-01	. Bridge Rectifier	1
18	6-07925-01	. Stereo Preamp. Assembly (See Schem. for Parts List)	1
19	2-18140-02	. Self Locking Capnut	1
20	4-07151-02	. Heat Sink Assembly (See Figure 7)	2
.1	7-00755-05	. Connector Housing (5 Ckt.)	1
22	7-00755-02	. Connector Housing (2 Ckt.)	1
23	7-00756-01	. Post Contact	11
24	7-00755-13	. Connector Housing (13 Ckt.)	1
25	7-01216-16	. Spacer	1
26	3-04254-01	. Speaker Overload Ind. Circuit Board Assembly	1
27	7-05000-04	. Circuit Board Support	8
28	7-05000-18	. Circuit Board Support	4
29	4-07101-01	. Driver Circuit Board Assembly (See Power Amplifier Schematic for Parts List)	2
30	7-00755-03	. Connector Housing (3 Ckt.)	1
31	3-07490-03	. Cap Housing	1
32	3-07490-04	. Cap Housing	1
33	7-00975-02	. Contacts	8
34	2-16207-02	. Amplifier Jumper Plug Assembly	1

**FIGURE  
7**

# HEAT SINK ASSEMBLY

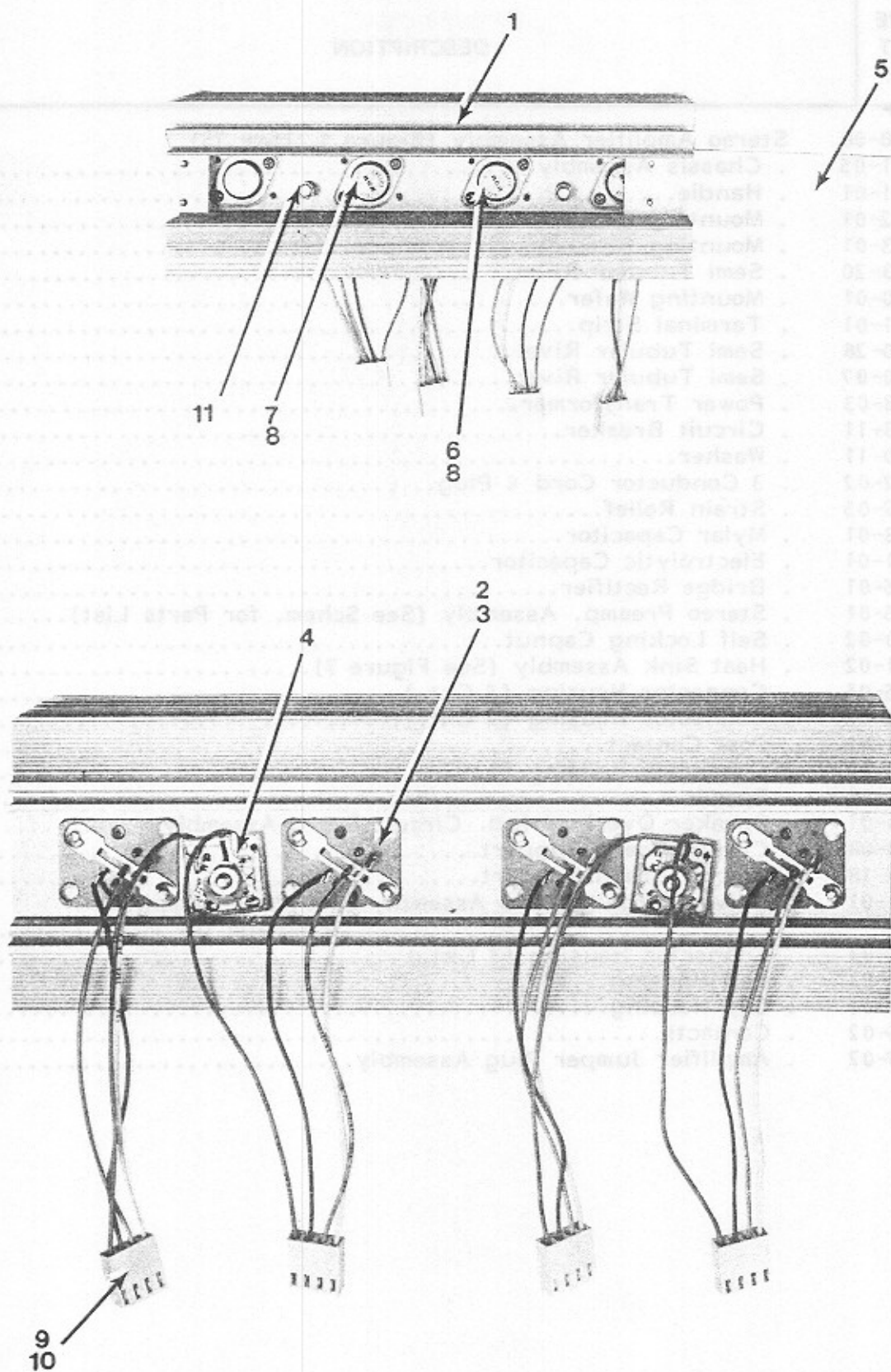




FIG. AND INDEX NO.	ROWE PART NO.	DESCRIPTION	QTY. PER ASSY
		Heat Sink Assembly (Figure 6, Item 20)	REF
7-	4-07151-02	Heat Sink Assembly (Figure 6, Item 20)	1
1	4-07103-01	. Heat Sink.....	4
2	2-15473-01	. Power Transistor Socket.....	8
3	7-01111-14	. Semi Tubular Rivet.....	2
4	3-04253-01	. Power Amp Bias Circuit Board Assembly.....	1
	4-06359-01	. . Power Amp Bias Printed Wiring Board.....	3
	7-00350-02	. . Silicon Diode.....	2
	7-00756-01	. . Post Contact.....	2
5	2-17980-01	. Cover.....	2
6	7-00302-06	. Transistor (Darlington Amp) (M-SJ6366K, RCA-2N6283).....	2
7	7-00302-07	. Transistor (Darlington Amp) (M-SJ6365K, FCA-2N6286).....	2
8	2-13189-01	. Insulator.....	4
9	7-00755-04	. Connector Housing.....	4
10	7-00756-01	. Post Contact.....	6
11	7-01200-09	. Washer.....	2
	7-01217-17	. . Spacer.....	2
	2-18402-01	. . Spring - Compression.....	2

**FIGURE 8**

# OUTPUT TRANSFORMER ASSEMBLY

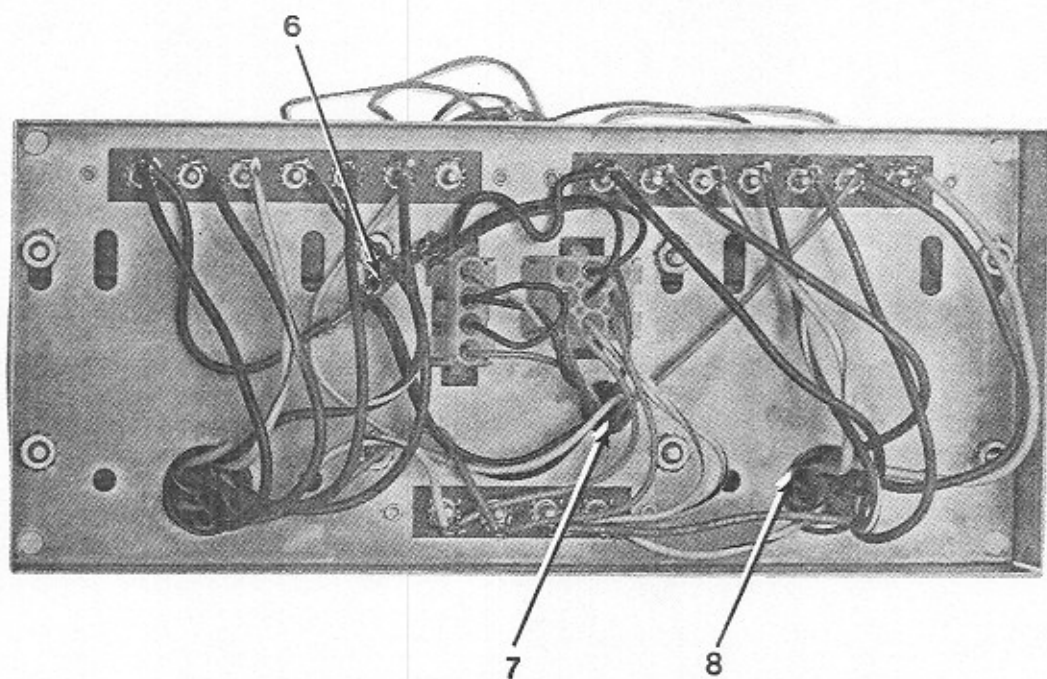
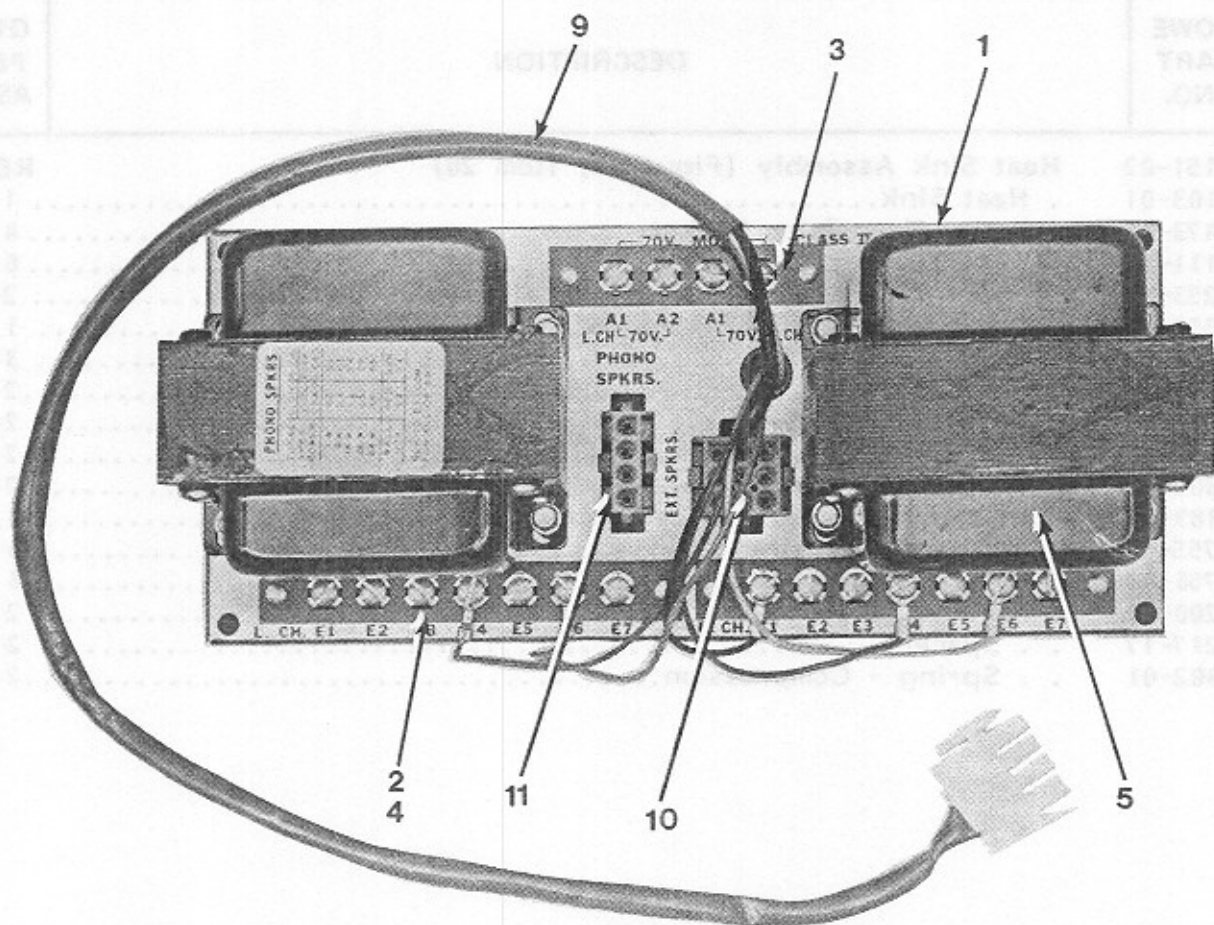


FIGURE  
8

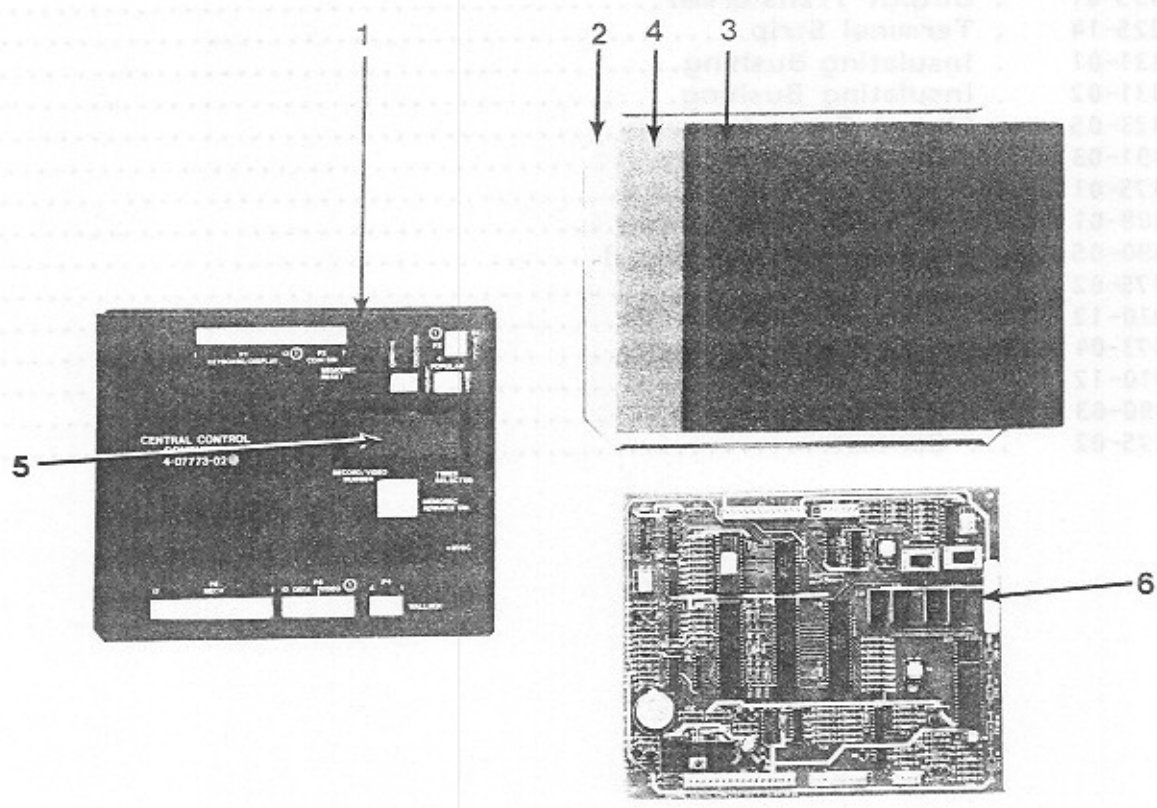
FIG. AND INDEX NO.	ROWE PART NO.	DESCRIPTION	QTY. PER ASSY
8-	4-06336-05	Output Transformer Assembly (Figure 1, Item 74)	REF
1	3-06260-07	. Output Chassis.....	1
2	3-04267-05	. Binding Post Strip.....	2
3	3-04267-03	. Binding Post Strip.....	1
4	7-01110-07	. Semi Tubular Rivet.....	6
5	4-06335-01	. Output Transformer.....	2
6	3-04225-14	. Terminal Strip.....	1
7	7-02331-01	. Insulating Bushing.....	1
8	7-02331-02	. Insulating Bushing.....	2
9	2-15323-05	. Plug & Cable Assembly.....	1
	3-07491-03	. . Plug Housing.....	1
	7-00975-01	. . Contact (Pin).....	4
10	3-07488-01	. Plug & Cable Assembly.....	1
	3-07490-05	. . Cap Housing (9 Ckt.).....	1
	7-00975-02	. . Contact.....	8
	7-00910-12	. . Spade Terminal Lug.....	2
11	2-15373-04	. Plug & Cable Assembly.....	1
	7-00910-12	. . Spade Terminal Lug.....	3
	3-07490-03	. . Cap Housing.....	1
	7-00975-02	. . Contact.....	4



**FIGURE 9**

# CENTRAL CONTROL COMPUTER

QTY	DESCRIPTION	POWER PART NO.	QTY AND PART NO.
-----	-------------	----------------	------------------



5

1

2

4

3

6

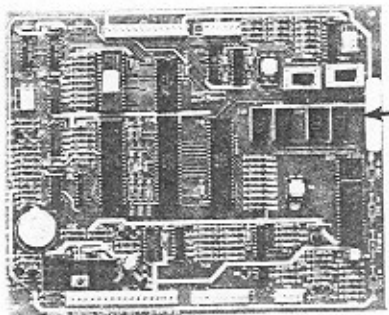
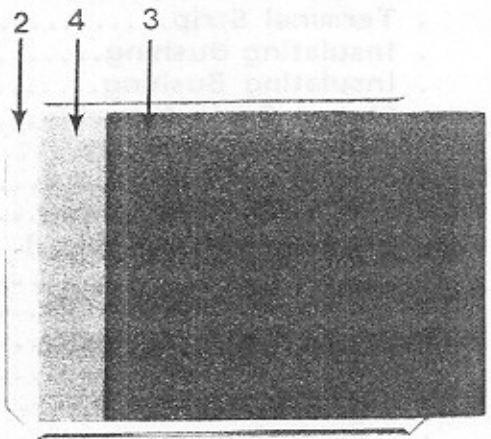
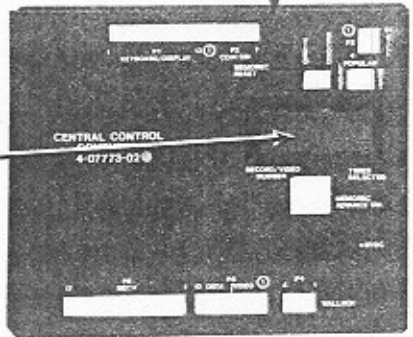


FIGURE  
9

FIG. AND INDEX NO.	ROWE PART NO.	DESCRIPTION	QTY. PER ASSY
9-	4-07773-02	Central Control Computer Assembly	
1	4-07792-02	. Central Control Computer Cover.....	1
2	4-07791-01	. Central Control Computer Base.....	1
3	2-17710-14	. Insulation Pad.....	1
4	2-17711-11	. Insulation Base.....	1
5	2-17819-05	. Light Filter Display Card.....	1
6	6-09738-02	. Central Computer Circuit Board Assembly.....	1

FIGURE  
10

# MAIN POWER SUPPLY (120V MODEL)

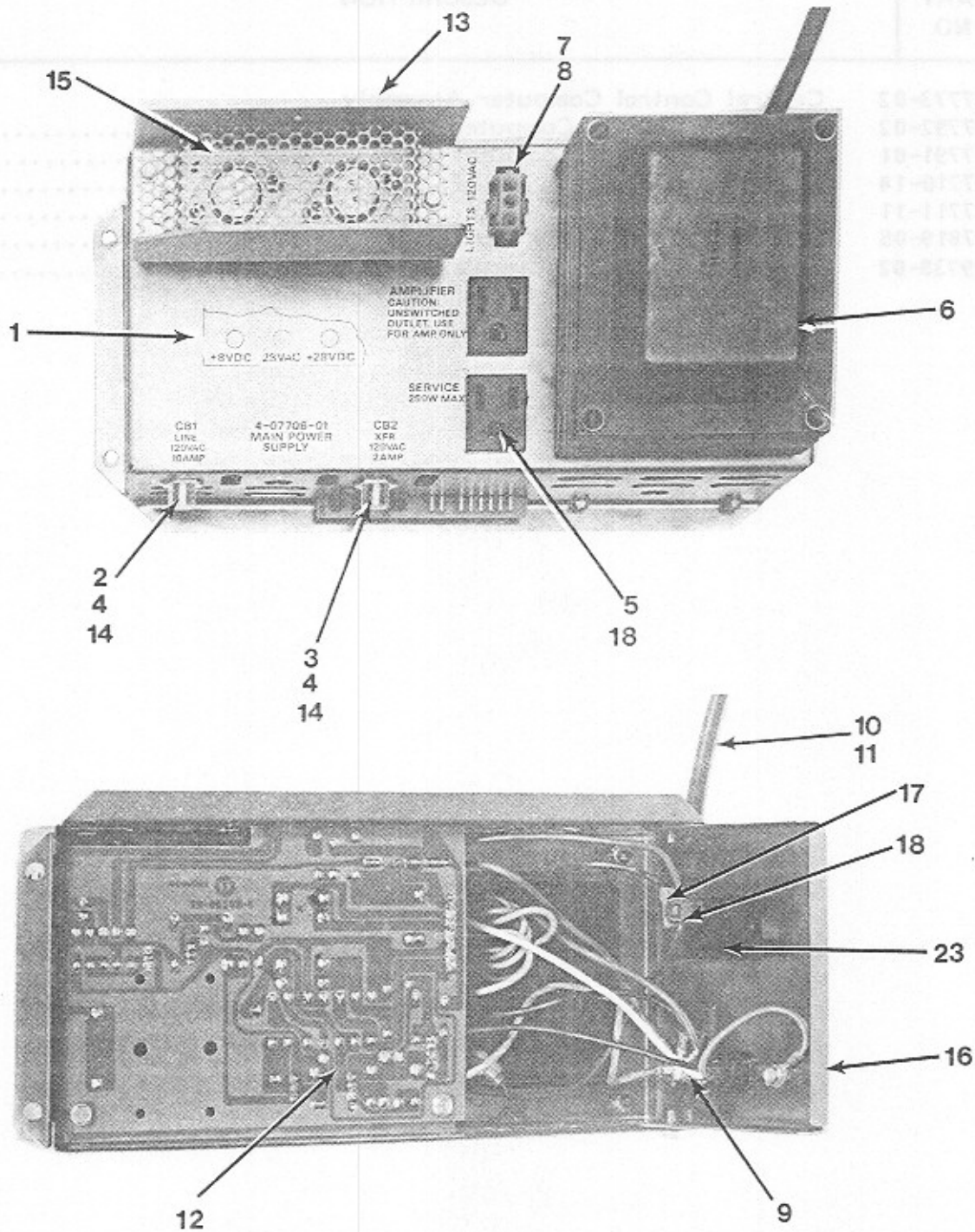




FIGURE  
10

FIG. AND INDEX NO.	ROWE PART NO.	DESCRIPTION	QTY. PER ASSY
10-	4-07706-01	Main Power Supply (120V)(Figure 1, Item 78)	
	4-65092-02	Main Power Supply (220V)	
	4-65092-03	Main Power Supply (240V)	
1	4-07719-01	. Chassis Assembly.....	1
2	7-00734-25	. 10 Amp Circuit Breaker.....	1
3	7-00733-15	. 2 Amp Circuit Breaker.....	1
4	7-01220-01	. Washer (Internal Lock) Part of Breaker.....	2
5	2-13759-01	. 3 Wire Convenience Outlet.....	2
6	4-07720-01	. Transformer & Harness Assembly.....	1
	4-07720-26	. . Power Transformer (120V).....	1
	4-65093-26	. . Power Transformer (220V-240V).....	REF
	7-00756-01	. . Post Contact.....	6
	7-00756-01	. . Post Contact (220V-240V).....	5
	7-00975-04	. . Contact.....	1
	7-00913-08	. . Terminal Lug.....	1
	7-00913-08	. . Terminal Lug (220V-240V).....	4
7	3-07490-02	. Cap Housing.....	1
	7-00975-04	. . Contact (220V-240V).....	3
8	7-00975-04	. Contact (120V).....	2
	7-00913-08	. . Terminal Lug (120V).....	2
	7-00913-08	. . Terminal Lug (220V-240V).....	4
9	7-00915-11	. Ring Terminal.....	2
10	3-08345-06	. Power Cord Assembly (120V).....	1
	3-65365-01	. . Power Cord Assembly (220V-240V).....	1
11	7-02321-04	. Strain Relief.....	1
12	6-09357-01	. Circuit Board Assembly.....	1
13	4-07331-02	. Heat Sink and Power Transistor Assembly.....	1
	3-08343-01	. . Power Supply Heat Sink.....	1
	7-00308-07	. . Transistor (Darlington) (2N6055) (Motorola, RCA).....	2
	2-13189-01	. . Insulator.....	2
	2-18342-01	. . Power Transistor Socket.....	2
	7-00755-04	. . Connector Housing.....	2
	7-00756-01	. . Post Contact.....	6
	7-00757-02	. . Keying Post.....	2
14	2-14086-02	. Straight Receptacle (120V).....	4
	2-14086-02	. Straight Receptacle (220V-240V).....	8
	7-00734-21	. Breaker 220/240 (5A)(Not Shown).....	2
	7-00734-22	. Breaker 220/240 (6A)(Not Shown).....	1
15	2-18281-01	. Heat Sink Cover.....	1
16	3-08673-01	. Switch Panel.....	1
17	7-00967-01	. Insulated Faston (120V).....	4
	7-00967-01	. Insulated Faston (220V-240V).....	3
18	7-00992-01	. Self Stripping Terminal.....	5
19	7-00991-01	. Self Stripping Terminal.....	1
20	7-00755-08	. Connector Housing (Not Shown).....	1
21	7-00757-02	. Keying Plug (Not Shown).....	1
22	7-00756-01	. Post Contact (120V)(Not Shown).....	1
	7-00756-01	. Post Contact (220V-240V).....	2
23	3-07857-01	. Rocker Switch (120V).....	1
	3-07857-02	. Rocker Switch (220V-240V).....	1
	2-17241-01	. Terminal Retainer Strip (220V-240V).....	1

# MECHANISM ASSEMBLY SHEET 1

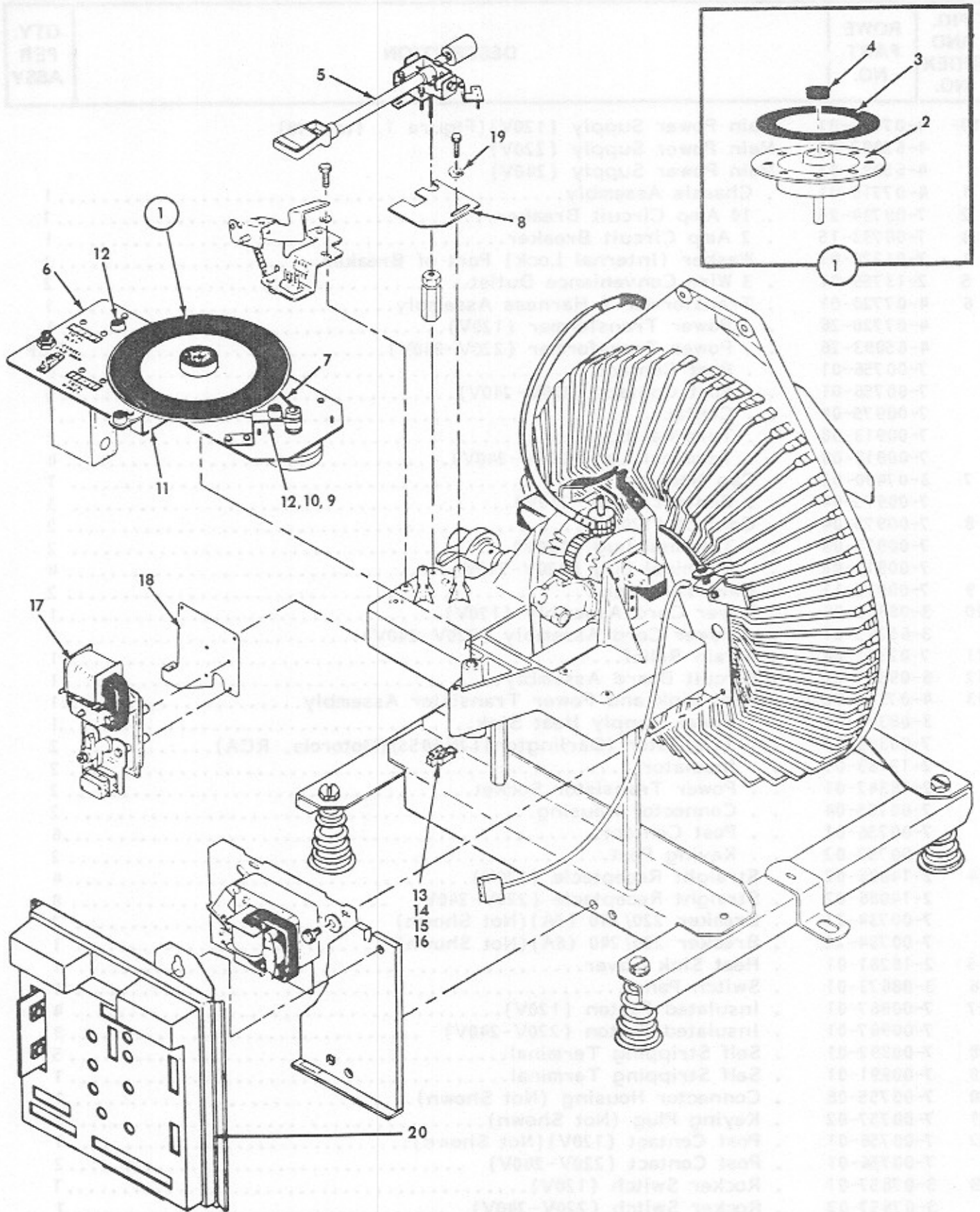


FIG. AND INDEX NO.	ROWE PART NO.	DESCRIPTION	QTY. PER ASSY
			REF
11-	6-08700-01	Mechanism Assembly (Figure 1, Item 28) (60HZ)	
	6-08700-02	Mechanism Assembly (Figure 1, Item 29) (50HZ)	
1	3-07921-01	• Turntable Assembly.....	1
2	4-07215-01	• Turntable & Shaft Assembly.....	1
3	3-05235-01	• Turntable Face.....	1
4	2-18163-01	• Hole Plug.....	1
5	4-07217-01	• Tone Arm & Pivot Assembly (See Figure 12).....	1
6	3-07935-01	• Plate & Counter Assembly.....	1
	2-15818-01	• Momentary Contact Switch.....	1
	3-07942-01	• Brush Holder.....	1
	2-02182-01	• Brush.....	1
	4-07220-01	• Counter Mounting Plate.....	1
	2-18137-01	• Counter Assembly.....	1
	2-15383-02	• Counter.....	1
	2-14418-02	• Electric Counter.....	1
	7-00921-04	• Solderless Connector.....	4
	7-00755-05	• Connector Housing.....	1
	7-00756-01	• Post Contact.....	4
	7-00757-02	• Keying Plug.....	1
7	3-07922-01	• Turntable Drive Belt.....	1
8	3-07938-02	• Tone Arm Cutoff Circuit Board Assembly.....	1
	4-07225-02	• Printed Wiring Board.....	1
	2-10726-02	• Reed Switch.....	1
	7-00760-02	• Polarizing Wafer 90°.....	1
	2-18181-01	• Contact.....	1
	7-00770-01	• Socket - Mini Spring.....	2
11	2-18188-01	• Bracket - Grommet & Rivet Assembly.....	1
12	2-18189-01	• Bracket - Grommet & Rivet Assembly.....	1
13	4-07224-01	• Mechanism Harness Assembly.....	1
	3-07490-05	• Cap Housing (9 Ckt.).....	1
	3-00795-01	• Contact.....	7
	3-00795-03	• Contact.....	2
	7-00755-02	• Connector Housing.....	1
	7-00755-08	• Connector Housing.....	1
	7-00755-10	• Connector Housing.....	1
	7-00756-01	• Post Contact.....	17
	7-00757-01	• Keying Plug.....	1
	7-00757-02	• Keying Plug.....	2
	7-00913-02	• Terminal Lug.....	5
	7-00913-06	• Terminal Lug.....	2
	7-00913-08	• Terminal Lug.....	2
	7-00913-14	• Terminal Lug.....	9
	7-00916-02	• Spade Terminal Lug.....	1
	7-00921-07	• Solderless Connector.....	1
	7-08001-07	• Cable Tie.....	20
14	2-07545-01	• Clip.....	3
15	2-05545-01	• Cable Clip.....	1
16	7-00934-01	• Cable Clamp.....	1
17	4-07208-01	• Cam Switch & Motor Assembly (See Figure 14).....	1
18	3-07907-01	• Motor Mounting Plate.....	1
19	7-01200-02	• Washer.....	1
20	4-07221-02	• Mechanism Control Unit.....	1
	3-07943-02	• Mechanism Control Base.....	1
	2-17710-08	• Insulating Pad.....	1
	2-17711-05	• Insulating Base.....	1
	6-08708-03	• Mechanism Control Circuit Bd. Ass'y. (See Schem. for P.L.).....	1
	4-07231-02	• Cover.....	1



# MECHANISM ASSEMBLY SHEET 2

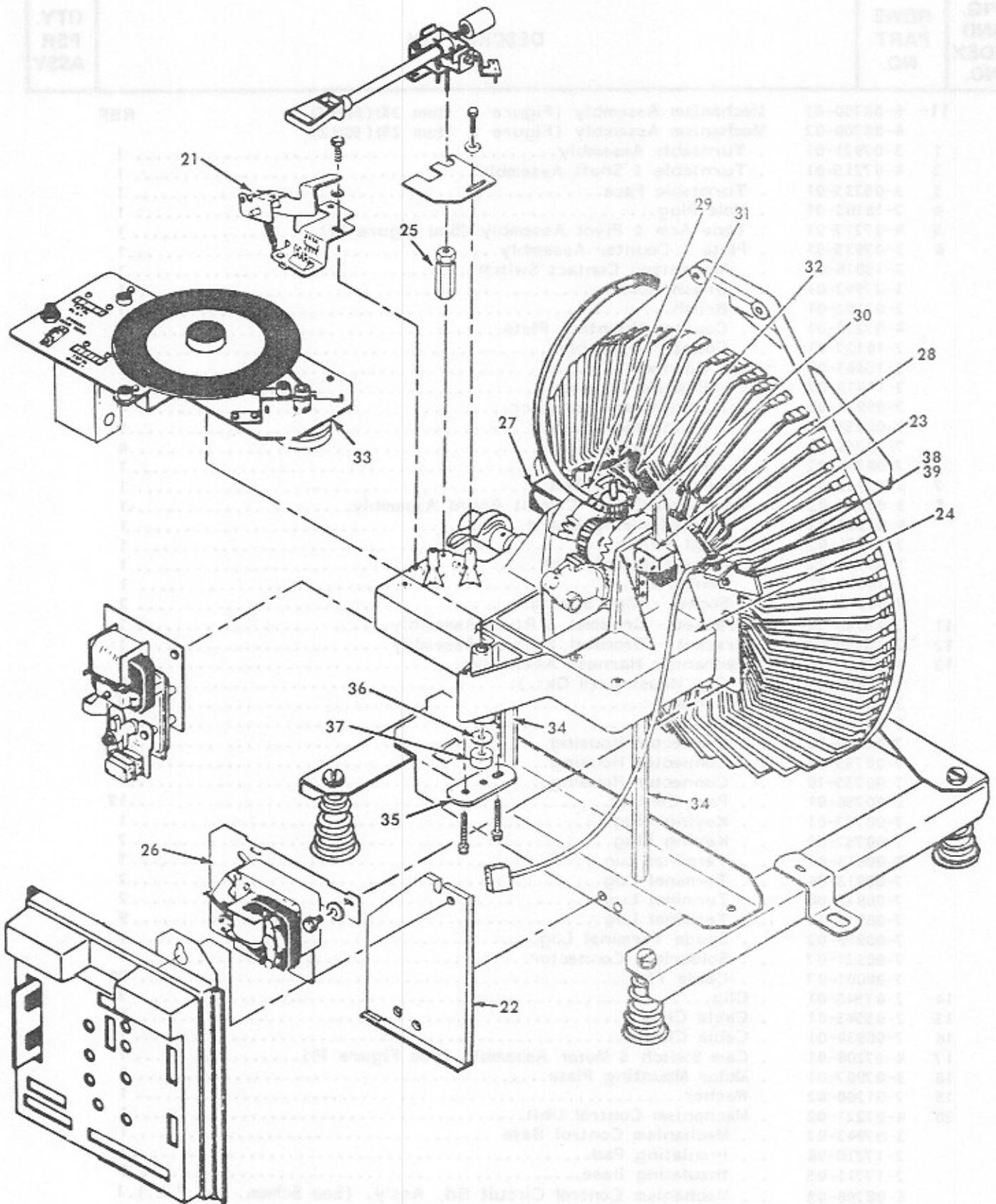


FIG. AND INDEX NO.	ROWE PART NO.	DESCRIPTION	QTY. PER ASSY
11-	6-08700-01	Mechanism Assembly (Continued)	
21	3-07926-01	. Lifting Lever & Bracket Assembly.....	1
	2-18158-01	. . Lifting Lever Bracket Assembly.....	1
	2-18159-01	. . Lifting Lever Assembly.....	1
	7-01430-05	. . Retaining Ring.....	1
	2-15760-01	. . Tension Spring.....	1
	2-18162-02	. . Grounding Clip.....	1
	7-00745-04	. . Chassis Mount Wafer (4 Ckt.).....	1
	7-01111-06	. . Semi Tubular Rivet.....	1
22	3-08541-01	. Mechanism Control Mount.....	1
23	3-07927-01	. Optical Switch Assembly.....	1
	3-07945-01	. . Mounting Bracket.....	1
	3-07944-01	. . Optical Switch & Connector Assembly.....	1
	4-07226-01	. . . Optical Switch.....	1
	7-00755-05	. . . Connector Housing.....	1
	7-00757-02	. . . Keying Plug.....	1
	7-00756-01	. . . Contact Post.....	4
	7-08001-01	. . Cable Tie.....	2
24	7-03122-01	. Mechanism Name Plate.....	1
25	2-10708-02	. Bearing Assembly.....	1
26	4-07219-01	. Sprag Assembly (See Fig 13).....	1
27	2-18182-01	. Toggle Solenoid Assembly (L.H.).....	1
28	2-18183-01	. Toggle Solenoid Assembly (R.H.).....	1
29	3-07905-01	. Rotator Assembly (L.H.).....	1
30	3-07906-01	. Rotator Assembly (R.H.).....	1
31	2-18118-01	. Record Guide Assembly (L.H.).....	1
32	2-18119-01	. Record Guide Assembly (R.H.).....	1
33	3-07917-01	. Turntable Motor & Plate Assembly (60 HZ).....	1
	3-07917-02	. Turntable Motor & Plate Assembly (50 HZ).....	1
	3-07918-01	. . Turntable Motor Mounting Plate.....	1
	2-18171-02	. . Turntable Belt Guide.....	1
	3-07919-07	. . Turntable Motor Assembly (60 HZ).....	1
	3-07919-08	. . Turntable Motor Assembly (50 HZ).....	1
	2-18178-01	. . Motor Pulley (45 RPM)(60 HZ).....	1
	2-18178-02	. . Motor Pulley (45 RPM)(50 HZ).....	1
34	2-18125-01	. Mech Support.....	2
35	2-18124-01	. Cap Plate.....	1
36	2-10364-01	. Thrust Bearing.....	1
37	2-10866-01	. Spacer Bearing.....	1
38	2-18186-01	. Adjusting Bracket Assembly.....	1
39	2-18184-01	. Adjusting Knob.....	1

# MECHANISM ASSEMBLY SHEET 3

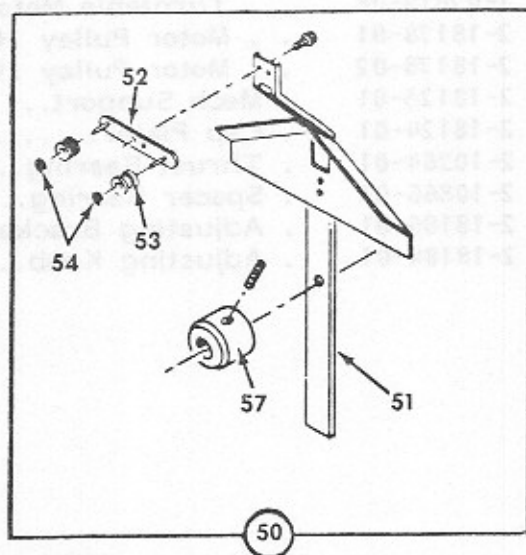
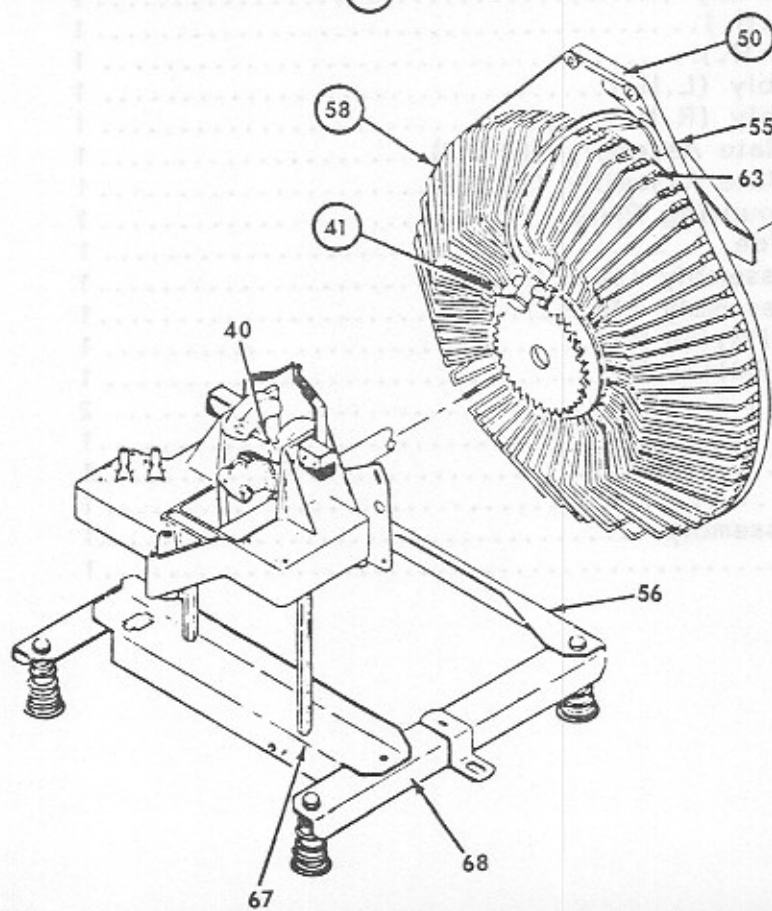
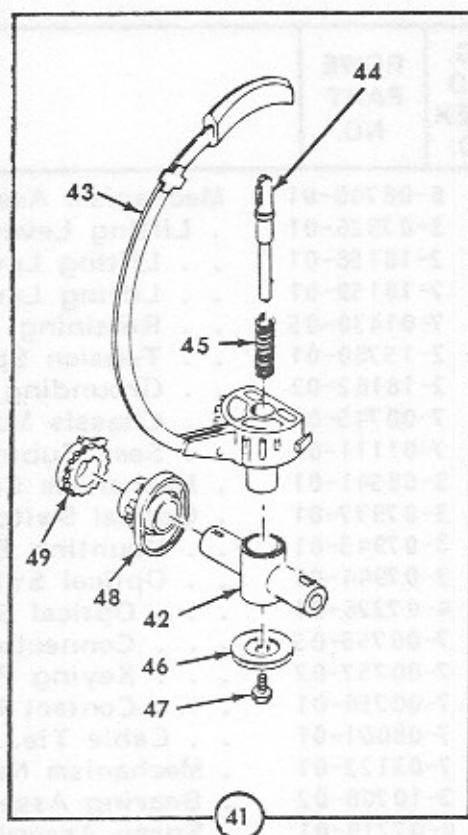
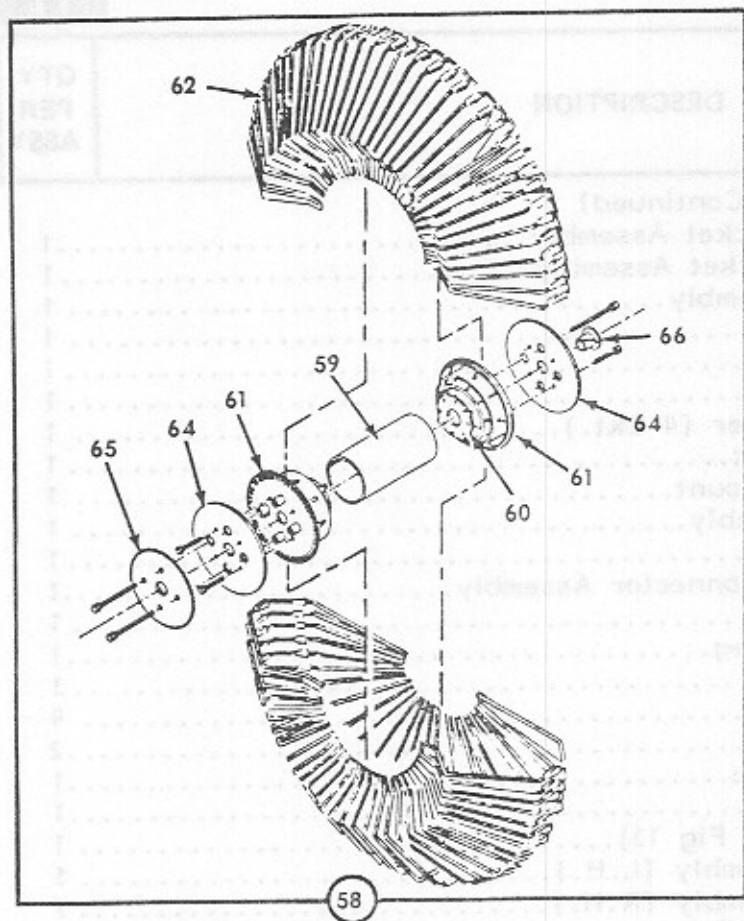




FIG. AND INDEX NO.	ROWE PART NO.	DESCRIPTION	QTY. PER ASSY
11-	6-08700-01	Mechanism Assembly (Continued)	2
40	2-10792-02	. Trunnion Pin.....	1
41	4-07207-01	. Gripper & Trunnion Assembly.....	1
42	3-07910-01	. Trunnion.....	1
43	3-05197-02	. Gripper Bow & Hub Assembly.....	1
44	2-10808-03	. Inner Shoe Assembly.....	1
45	2-10811-01	. Record Release Spring.....	1
46	2-18115-01	. Cam Follower.....	1
47	2-18117-01	. Lock Screw.....	1
48	4-07204-01	. Cam Gear.....	1
49	4-07206-01	. Trunnion Gear.....	1
50	4-07212-01	. Guide & Belt Support Assembly.....	1
51	4-07213-01	. Gripper Bow Guide Assembly.....	1
52	2-10894-01	. Roller Bracket Assembly.....	1
53	2-03843-01	. Belt Roller.....	2
54	7-01430-03	. Retaining Ring.....	2
55	2-18138-01	. Belt.....	1
56	3-07925-01	. Support Frame Rear Angle.....	1
57	2-18126-01	. Collar.....	1
58	6-08703-01	. Magazine Assembly.....	1
59	4-07200-01	. Hub Spacer.....	1
60	3-07902-01	. Hub Anchor Plate.....	2
61	6-08702-01	. Magazine Hub.....	2
62	4-07201-01	. Record Magazine Separator.....	100
63	4-07202-01	. Belt Guide.....	100
64	3-07903-01	. Cover Plate.....	2
65	3-07904-01	. Magazine Gear.....	1
66	7-01460-01	. Bearing.....	2
67	2-11013-01	. Lock Nut.....	2
68	3-07914-01	. Mechanism Support & Spring Assembly.....	1
	3-07915-01	. . Mech Support Assembly.....	1
	2-06272-01	. . Spring Support (Upper).....	4
	2-06128-03	. . Mech Mounting Spring.....	4
69	4-07232-01	. Support Magazine.....	1

**FIGURE 11**

# MECHANISM ASSEMBLY SHEET 4

QTY. PER ASSEMBLY	DESCRIPTION	ROW PART NO.	PIC. AND INDEX NO.
-------------------------	-------------	--------------------	-----------------------------

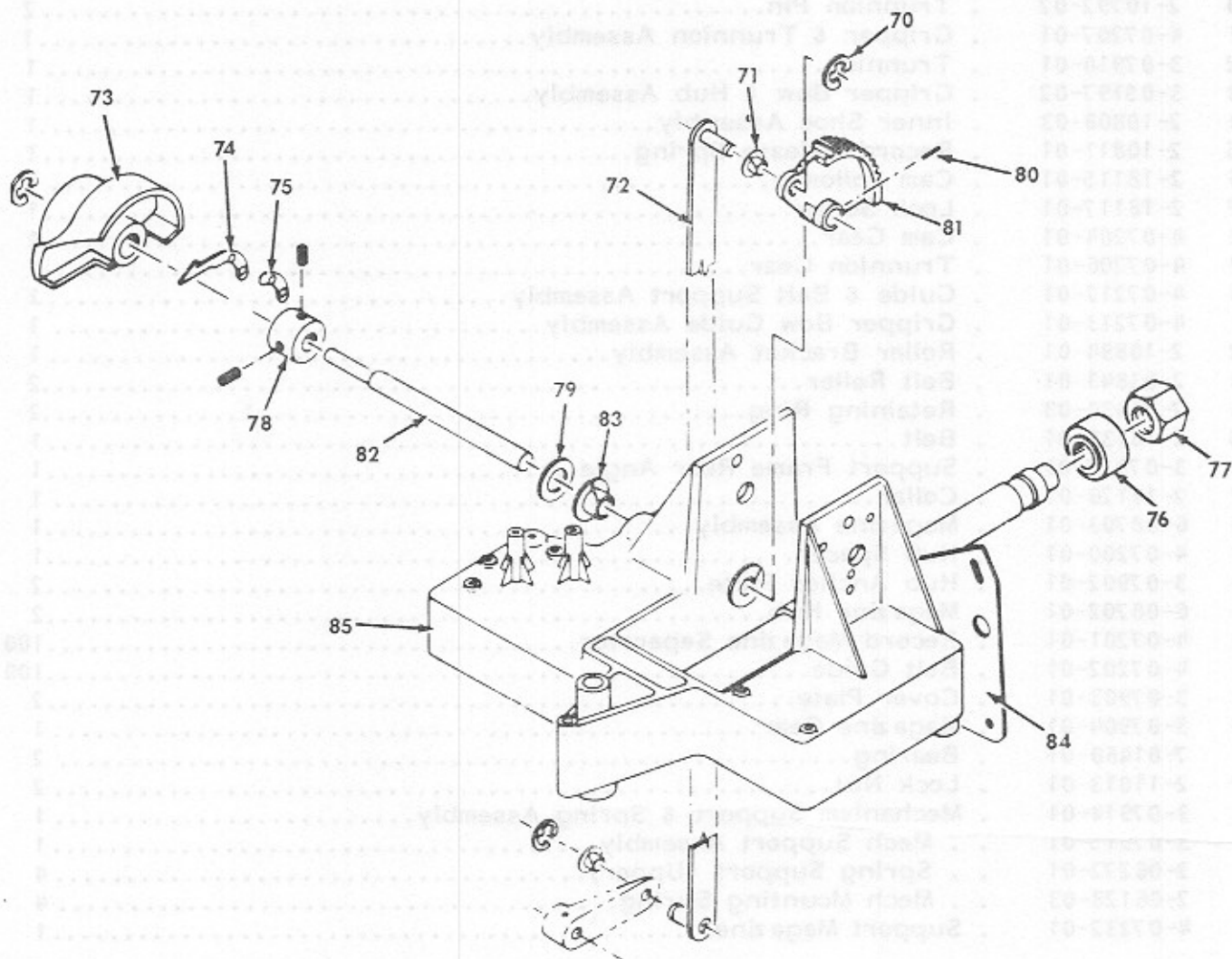


FIG. AND INDEX NO.	ROWE PART NO.	DESCRIPTION	QTY. PER ASSY
11-	6-08700-01	Mechanism Assembly (Continued)	
70	7-01430-04	. Retaining Ring .....	3
71	7-01460-04	. Bearing.....	2
72	2-18102-01	. Transfer Link Assembly.....	1
73	2-18134-01	. Tone Arm Cam Assembly.....	1
	2-18187-01	. . Cam & Insert Assembly.....	1
74	2-18148-01	. Cam Spring.....	1
75	2-18149-01	. Cam Spring Plate.....	1
76	2-51569-06	. Shoulder Washer.....	1
77	7-01301-09	. 9/16 x 18 Jam Nut.....	1
78	2-18133-02	. Cam Collar.....	1
79	7-01225-33	. Bowed Washer.....	1
80	7-01130-19	. Roll Pin.....	1
81	4-07205-01	. Sector Gear.....	1
82	2-18132-01	. Cam Drive Shaft.....	1
83	7-01460-05	. Bearing.....	2
84	4-07218-01	. Intermediate Mounting Plate.....	1
85	4-07211-01	. Base Assembly.....	1
	6-08707-01	. . Mechanism Base.....	1
	3-07913-01	. . Magazine Support Shaft.....	1
	2-10377-01	. . Bearing.....	2



**FIGURE  
12**

# TONE ARM & PIVOT ASSEMBLY

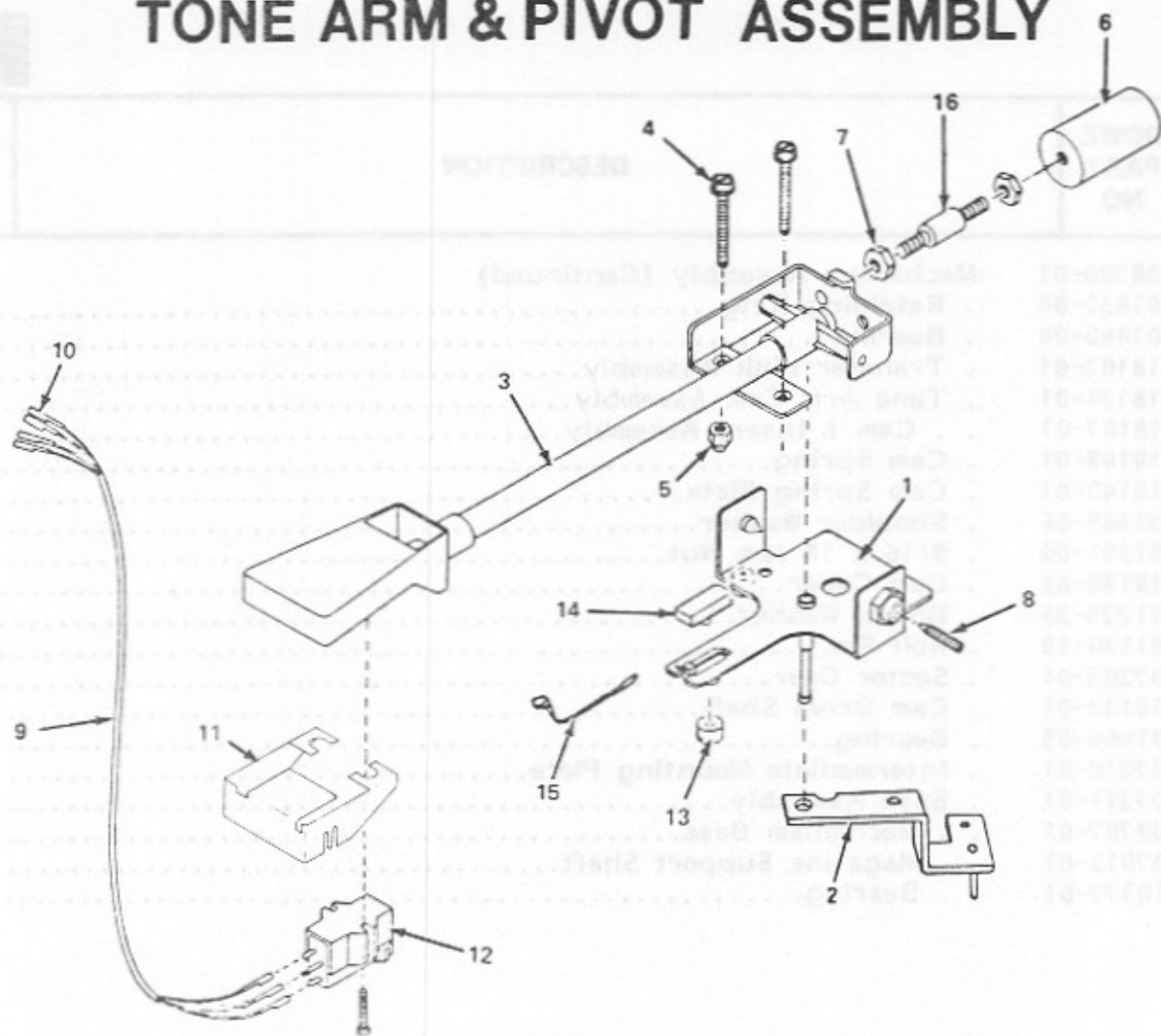


FIG. AND INDEX NO.	ROWE PART NO.	DESCRIPTION	QTY. PER ASSY
12-	4-07217-01	Tone Arm & Pivot Assembly (Figure 11, Item 5)	REF
1	2-18141-01	. Bracket & Shaft Assembly.....	1
2	2-18142-01	. Guide Plate Assembly.....	1
3	3-07928-01	. Tone Arm & Lever Assembly.....	1
4	2-65025-01	. Contact Screw.....	2
5	2-18140-02	. Self Locking Cap Nut.....	1
6	2-18143-02	. Counter Weight.....	1
7	7-01355-02	. Locknut.....	1
8	2-10712-01	. Pivot Screw.....	1
9	2-18144-01	. Tone Arm Cable Assembly.....	1
10	7-00927-10	. Pin Receptacle.....	8
11	3-08915-01	. Tone Arm Shielding Clip.....	1
12	2-13011-01	. Stereo Phono Cartridge.....	1
	2-18340-01	. Stylus Assembly.....	1
13	2-18147-01	. Magnet - Reed.....	1
14	2-18146-01	. Magnet Clip.....	1
15	7-08001-09	. Cable Tie.....	1
16	2-18177-01	. Vibration Isolator.....	1

# SPRAG ASSEMBLY

FIGURE  
13

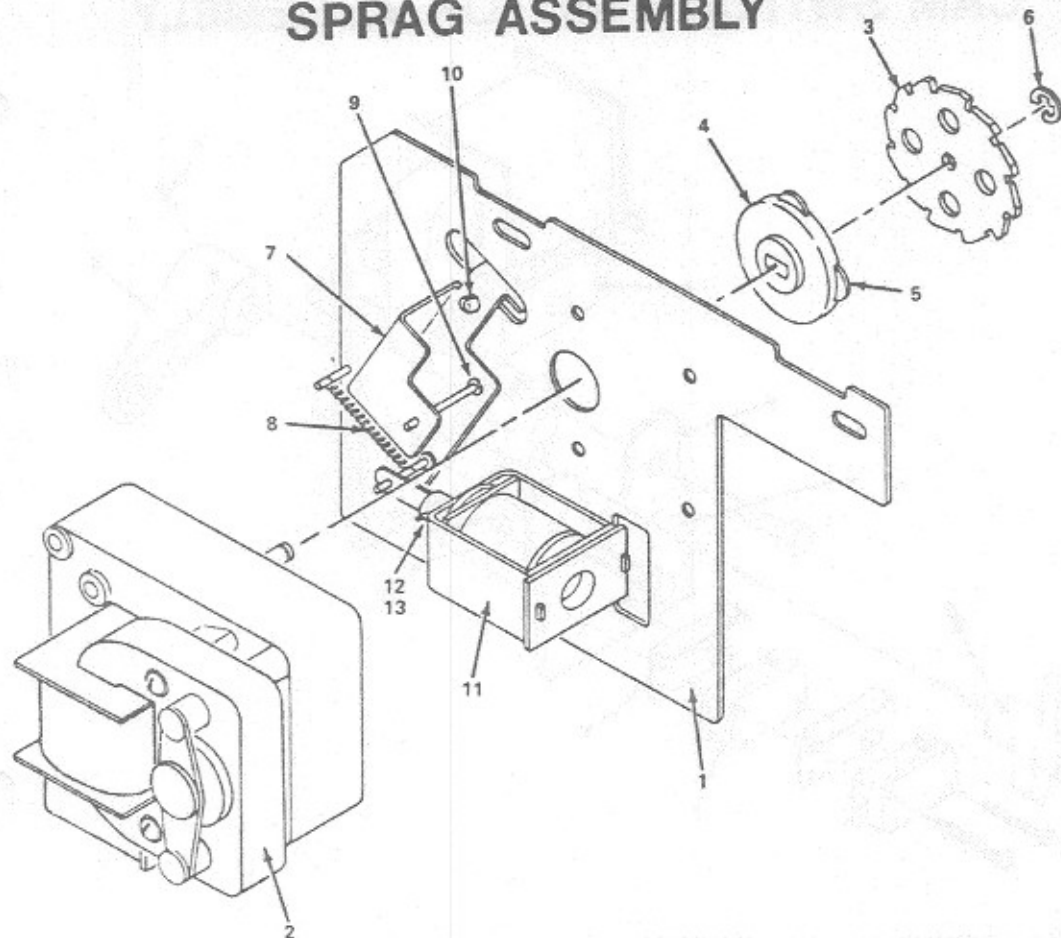


FIG. AND INDEX NO.	ROWE PART NO.	DESCRIPTION	QTY. PER ASSY	REF
13-	4-07219-01	Sprag Assembly (Figure 11, Item 26)		
1	3-07939-01	. Sprag Plate Assembly.....	1	1
2	4-07227-01	. Magazine Motor.....	1	1
3	4-07223-01	. Sprag Wheel.....	1	1
4	3-07933-01	. Sprag Wheel Hub.....	1	1
5	2-18161-01	. Stem Bushing.....	4	1
6	7-01430-03	. Retaining Ring.....	1	1
7	2-18160-01	. Sprag Lever Assembly.....	1	1
8	2-12562-01	. Tension Spring.....	1	1
9	7-01430-05	. Retaining Ring.....	1	1
10	2-51559-01	. Split Stem Bumper.....	2	1
11	2-11505-10	. Solenoid Assembly.....	1	1
12	2-10857-01	. Plunger Assembly.....	1	1
13	2-10849-02	. Plunger Stop.....	1	1

**FIGURE  
14**

# CAM SWITCH & MOTOR ASSEMBLY

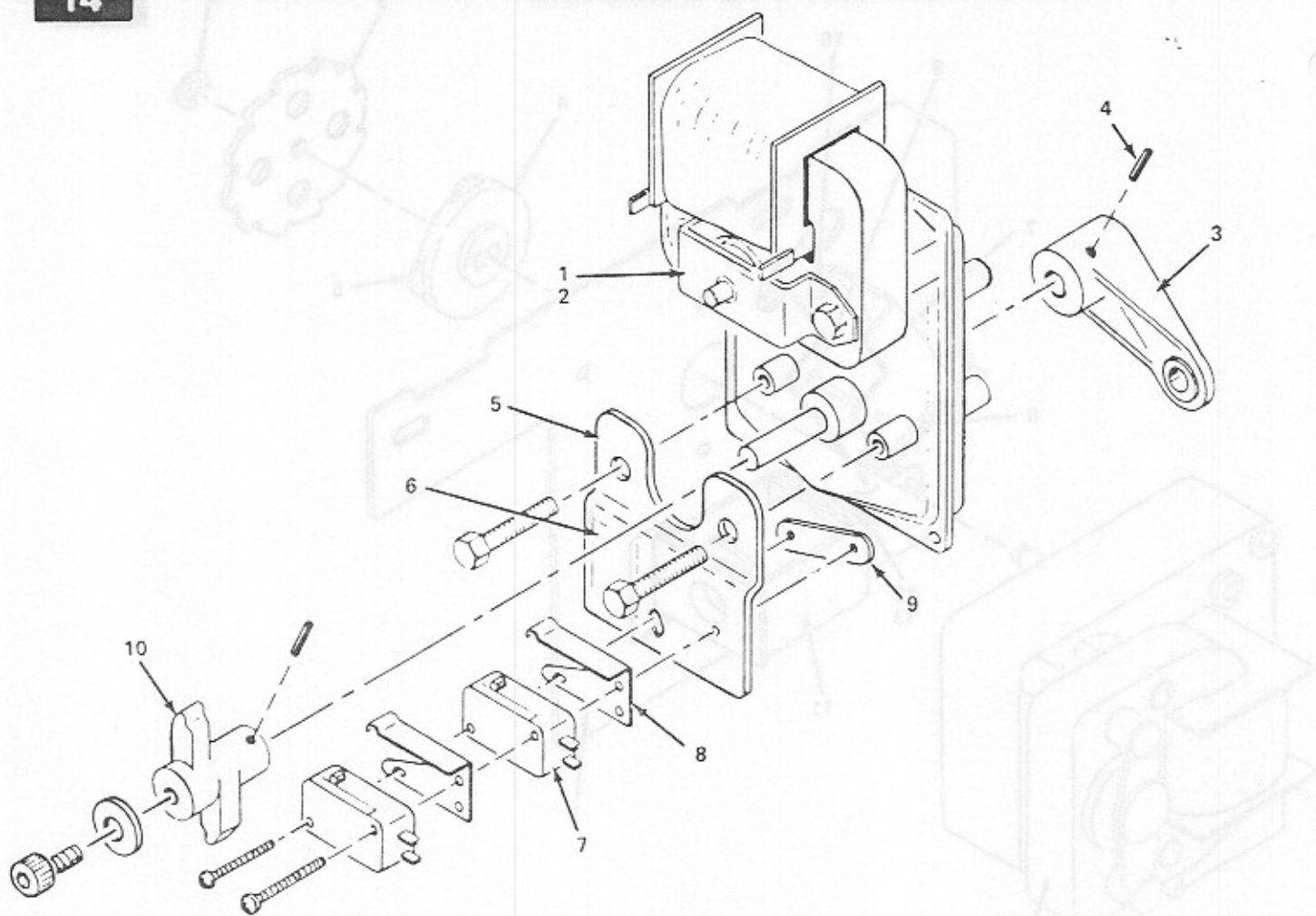


FIG. AND INDEX NO.	ROWE PART NO.	DESCRIPTION	QTY. PER ASSY
14-	4-07208-01	Cam Switch & Motor Assembly (Figure 11, Item 17)	REF
1	3-07908-01	. Motor & Crank Assembly .....	1
2	4-07209-01	. Cam Motor.....	1
3	2-18104-01	. Trunnion Crank.....	1
4	7-01131-16	. Roll Pin.....	2
5	3-07909-01	. Switch Plate.....	1
6	2-18169-01	. Cam Switch Label.....	1
7	2-10731-01	. Switch.....	2
8	2-10829-01	. Switch Actuator.....	2
9	2-10830-01	. Twin Nut.....	1
10	3-07934-01	. Switch Cam.....	1