

SECTION 6- PARTS CATALOG

	PAGE
INTRODUCTION	
DESCRIPTION	73
ORDERING REPLACEMENT PARTS	73
PARTS BREAKDOWN	73

FIGURE	TITLE	
1	Phonograph Final Assembly, Model RI-4 & RI-5	74
2	Front Door Assembly	84
3	Top Door Assembly	88
4	Selector and Trim Assembly	92
5	Shell Assembly	94
6	50 W Stereo Amplifier Assembly	95
7	Central Control Computer	98
8	Main Power Supply Assembly	100
9	Mechanism Assembly	102
10	Tone Arm and Pivot Assembly	110
11	Sprag Assembly	112
12	Cam Switch and Motor Assembly	114

INTRODUCTION

This parts catalog lists procurable replacement parts for the phonograph.

The purpose of this parts catalog is to locate and identify replaceable components and to supply ordering information

DESCRIPTION

This parts catalog is divided into 12 major assemblies called "FIGURES" corresponding to the illustrations used. In some instances major assemblies require more than one illustration to identify the procurable parts. In this case sheet numbers are assigned to the figure.

Parts of riveted or welded units are not listed since repair of these parts is normally impractical in the field, however, these parts are available as assemblies.

To be sure that this parts catalog contained the latest information, last minute revisions were made. In these instances the additions were added in sequence with a letter added to the identification numbers both in the parts list and corresponding illustrations. That is 1A, 1B, 1C, etc.

The Parts List contains four columns:

Fig. and Index No. - The first entry in this column lists the figure number of the corresponding illustration. An index number when listed corresponds to the index number appearing on the illustration. Index numbers are not used when:

Items are listed for reference purposes only.
The item listed is an alternate part.

Rowe Part No. - This column lists the part number of the item which should be specified for ordering purposes.

Description - This column contains a brief word description of the assembly or part. Each item is indented to show its proper relationship to the unit of which it is a part or to its next higher assembly.

Qty. Per Assy. - This column contains the quantity of the part used in the assembly. When a figure covers more than one model of an assembly, the "Qty. Per Assy" column is divided to show each model.

ORDERING REPLACEMENTS

All replacement parts must be ordered directly from an authorized ROWE Distributor.

Once the replacement item is determined, complete a standard parts order form available from your ROWE distributor at no charge. Very often parts orders are delayed, because of inadequate or incomplete information. To insure prompt parts delivery always specify the following information:

- Part Number and Description. State color if applicable.
- Quantity required.
- Model and Serial Number of machine for which the repair part is needed.
- Complete shipping address including ZIP code.
- Shipping Instructions must be specified. If the shipping method selected is Parcel Post, Air Parcel Post, United Parcel Service or Air UPS, indicate an alternate shipping method if there is a possibility the packages may exceed the size and weight limits established by these services. If you would like ROWE to select the best way to ship your parts order, specify "BEST WAY". If fastest delivery is the requirement, specify "FASTEST WAY". ROWE will select the carrier for those orders which justify shipment by truck.

RI-4 & RI-5 Phonograph Final Assembly Sheet 1

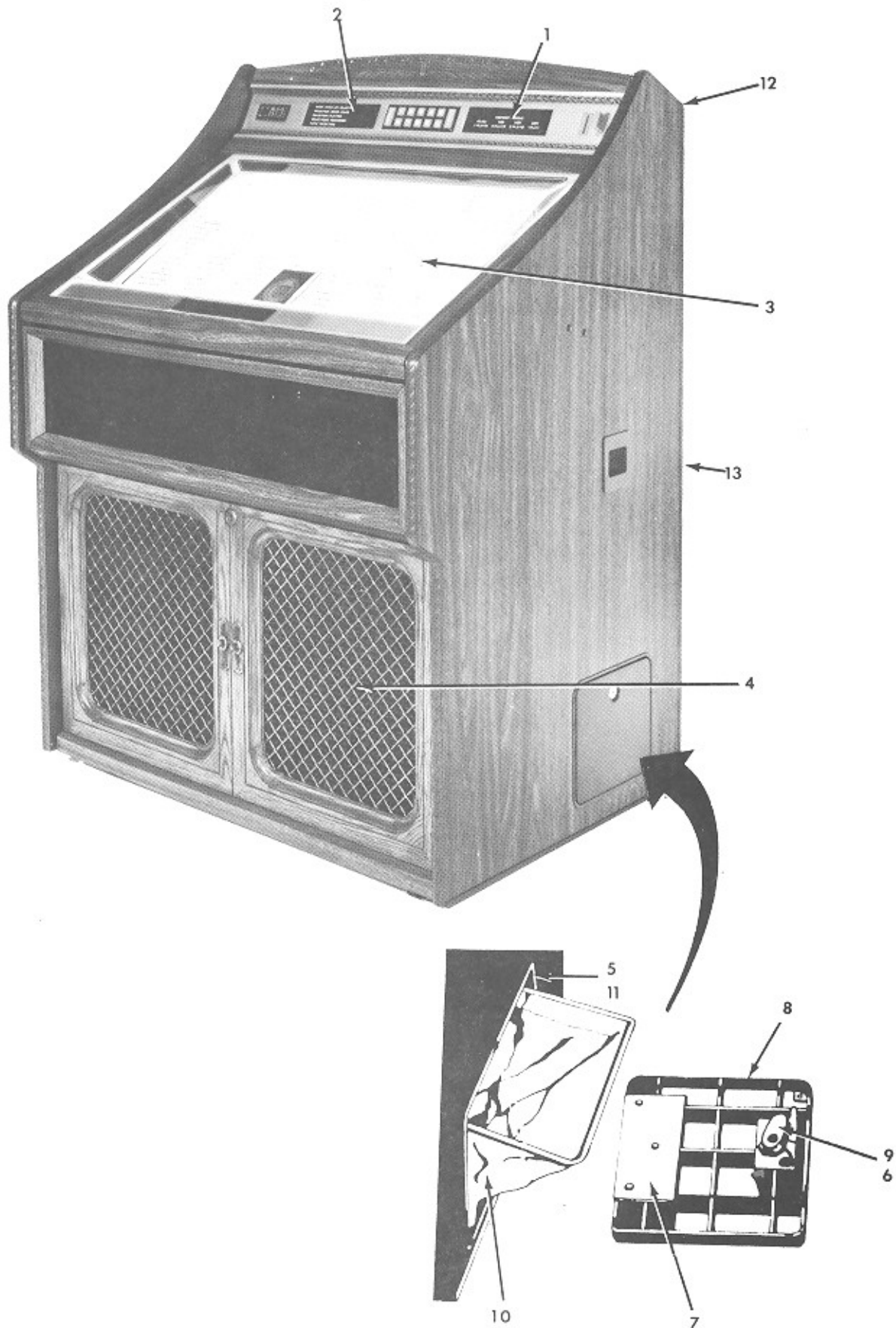


FIG. AND INDEX NO.	ROWE PART NO.	DESCRIPTION	QTY. PER ASSY
1-	01235505	RI-4 Phonograph Final Assembly (Black) (Jewel)	
1-	01236505	RI-5 Phonograph Final Assembly (Consolette) (Romantica)	
1	2-18473-01	. Price Card	
2	2-18472-01	. Read Out Card	1
3	6-09161-04	. Top Door Assembly (Black) (See Figure 3)	1
	6-09161-05	. Top Door Assembly (Consolette) (See Figure 3)	1
4	6-09152-02	. Front Door Assembly (Black) (See Figure 2)	1
	6-09179-01	. Front Door Assembly (Consolette) (See Figure 2A)	1
	2-17806-04	. Acoustical Pad (Not Shown)	1
	7-00903-03	. Staple	6
5	4-05276-05	. Cash Box Door Frame (Black)	1
	4-05276-14	. Cash Box Door Frame (Consolette)	1
	2-11866-05	. Cash Box Door Assembly (Black)	1
	2-11866-10	. Cash Box Door Assembly (Consolette)	1
6	7-01600-16	. . Cylinder Lock	1
7	2-07703-01	. . Catch Bracket	1
8	6-03267-16	. . Cash Box Door	1
9	2-06695-01	. . Lock Support	1
10	3-07026-01	. Cash Bag	1
11	2-17760-05	. "U" Type Speed Clip	1
12	2-08795-01	. Retainer Bracket (Mounted on Rear of Phono)	2
13	2-12652-03	. Tie Plate Assembly (Mounted on Rear of Phono)	1

RI-4 & RI-5 Phonograph Final Assembly Sheet 2

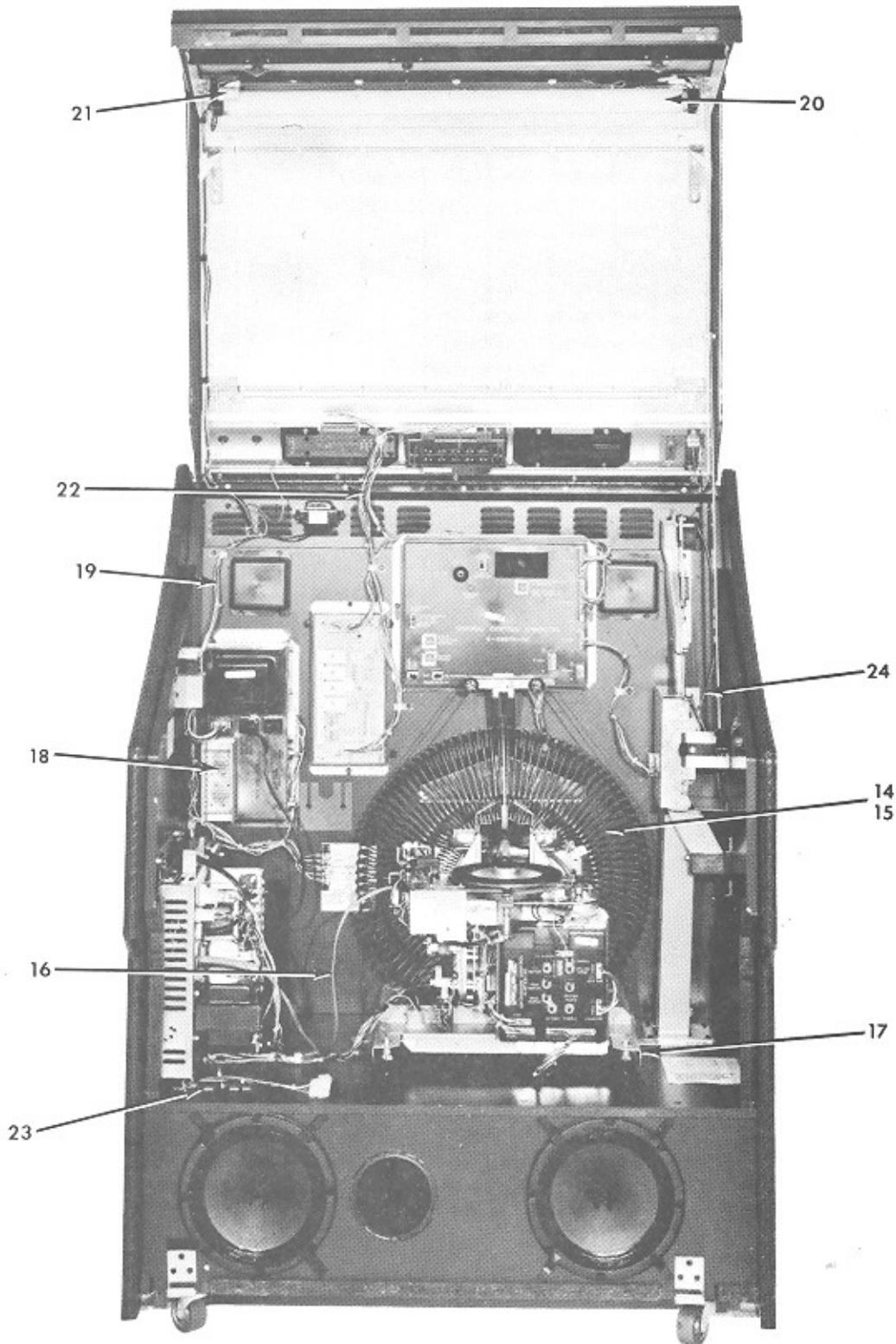


FIG. AND INDEX NO.	ROWE PART NO.	DESCRIPTION	QTY. PER ASSY
	01235505	RI-4 Phonograph (Continued)	
	01236505	RI-5 Phonograph (Continued)	
14	2-11537-02	. Lower Spring Support	4
15	6-08700-01	. Mechanism Assembly (60 Hz.) (See Figure 9)	1
	6-08700-02	. Mechanism Assembly (50 Hz.)	
16	3-08324-01	. Tone Arm Cable & Plug Assembly	1
17	2-12036-01	. Mech Tie Down Bolt	2
18	4-07706-01	. Main Power Supply (120V) (See Figure 8)	1
	4-65092-02	. Main Power Supply (220V)	1
19	4-07471-01	. Flourescent Lamp Harness Assembly	1
	4-07471-02	. Flourescent Lamp Harness Assembly (Canadian)	
	2-13801-01	.. Ballast	1
	2-13801-02	.. Ballast (Canadian)	
	2-00295-01	.. Starter Socket	1
	2-18267-05	.. Flourescent Lamp Holder	2
	2-18490-01	.. Lamp Bracket	2
	7-00921-14	.. Solderless Connector	5
	3-07491-02	.. Plug Housing	1
	7-00975-03	.. Contact	2
	7-00975-05	.. Contact	1
	7-00915-05	.. Terminal Lug	4
	7-08001-01	.. Cable Tie	20
20	7-00601-05	. Flourescent Lamp	1
21	7-00800-03	. Flourescent Lamp Starter	1
22	4-07470-01	. Selector Harness	1
	7-00755-11	.. Connector Housing	1
	7-00755-12	.. Connector Housing	1
	7-00755-16	.. Connector Housing	1
	7-00755-18	.. Connector Housing	1
	7-00756-01	.. Contact (Post)	51
	7-00757-02	.. Keying Plug	3
23	2-17593-01	. Cord Hole Cover	1
24	2-18495-01	. Jumper Assembly - Ground	1
	7-00915-05	.. Terminal Lug	3
	7-00934-01	. Cable Clamp	15

RI-4 & RI-5 Phonograph Final Assembly Sheet 3

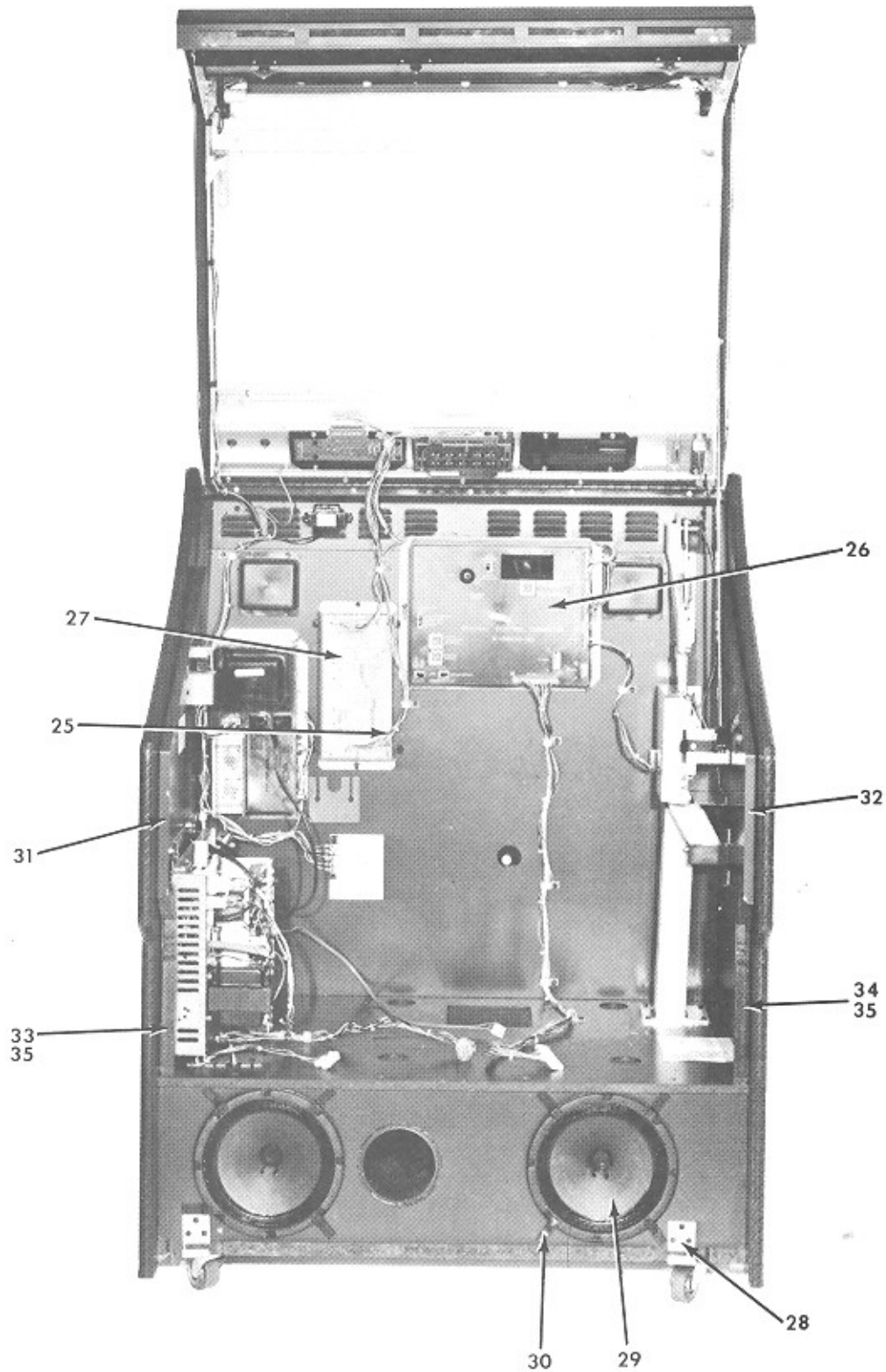


FIG. AND INDEX NO.	ROWE PART NO.	DESCRIPTION	QTY. PER ASSY
1-	01235505	RI-4 Phonograph (Continued)	
	01236505	RI-5 Phonograph (Continued)	
25	3-08528-01	. Keyboard Harness	1
	7-00755-16	.. Connector Housing	2
	7-00756-01	.. Contact (Post)	30
	7-00757-01	.. Keying Plug	1
	7-00757-02	.. Keying Plug	1
	7-08001-01	.. Cable Tie	8
	2-18495-01	.. Jumper Assembly	1
	7-00815-05	.. Terminal Lug	3
26	6-08870-04	. Central Control Computer (See Figure 7)	1
27	4-07380-03	. Pricing Assembly	1
	6-08878-04	.. Circuit Board Assembly (See Schematic for P.L.)	1
	4-07392-01	.. Pricing Board Mounting Plate Assembly	1
	4-07393-01	.. Pricing Board Cover	1
	7-01216-16	.. Spacer	1
	3-08386-01	.. Insulator	2
28	2-18486-01	. Door Support Hook	1
29	4-07469-01	. Speaker (Low Frequency)	2
30	2-17807-01	. Retainer Bracket	2
31	4-07462-02	. Support (LH) (Black)	1
	4-07462-01	. Support (LH) (Consolette)	1
32	4-07463-02	. Support (RH) (Black)	1
	4-07463-01	. Support (RH) (Consolette)	1
33	3-08526-02	. Grille Panel Support (LH) (Black)	1
	3-08526-01	. Grille Panel Support (LH) (Consolette)	1
34	3-08527-02	. Grille Panel Support (RH) (Black)	1
	3-08527-01	. Grille Panel Support (RH) (Consolette)	1
35	7-02204-48	. Foamed Tape	2

RI-4 & RI-5 Phonograph Final Assembly Sheet 4

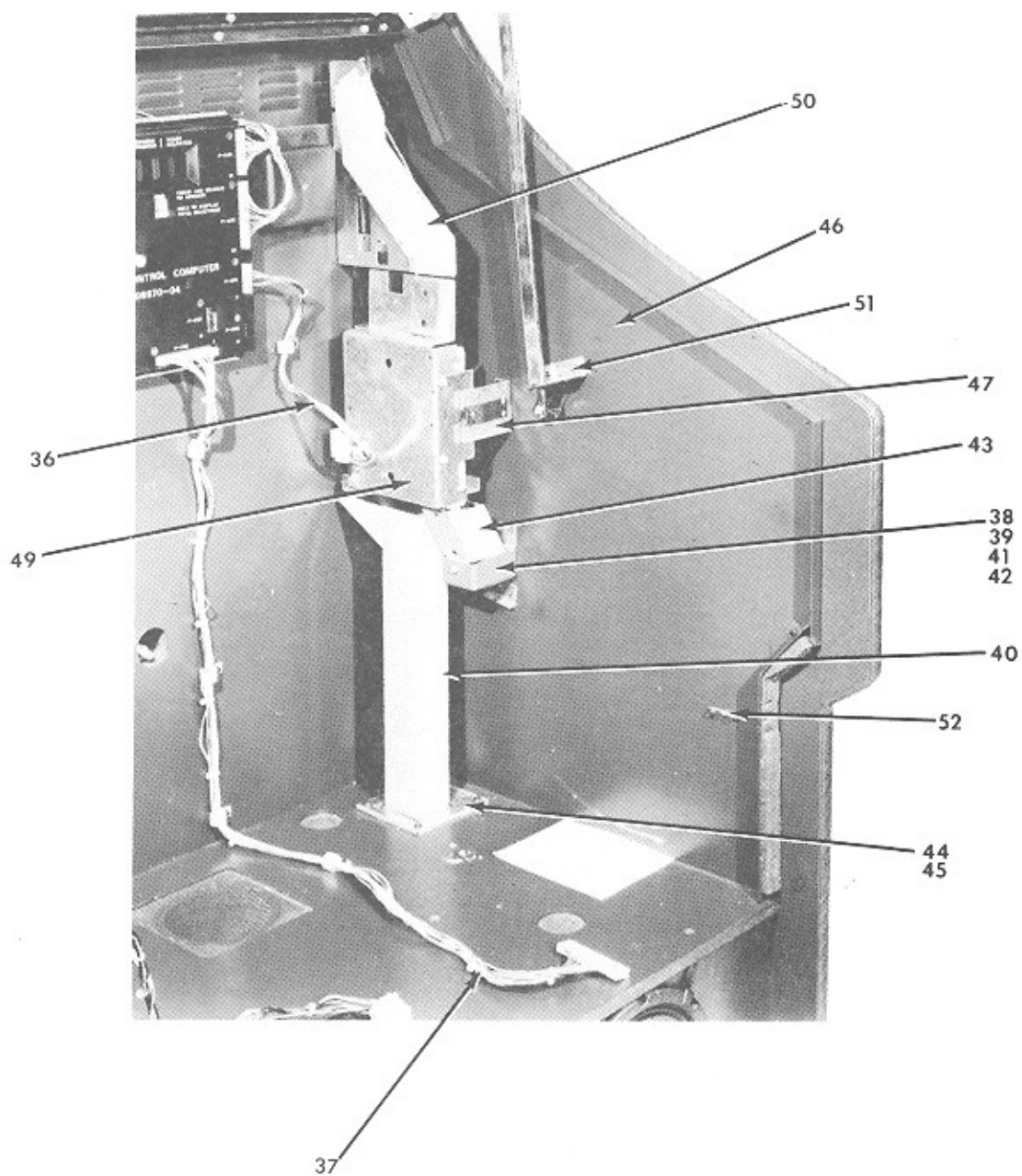


FIG. AND INDEX NO.	ROWE PART NO.	DESCRIPTION	QTY. PER ASSY
	01235505	RI-4 Phonograph (Continued)	
	01236505	RI-5 Phonograph (Continued)	
36	3-08336-03	. Coin Switch Harness	1
	7-00755-07	.. Connector Housing	2
	7-00756-01	.. Contact (Post)	12
	7-00757-01	. Keying Plug	1
	7-00757-02	.. Keying Plug	2
	7-08001-01	.. Cable Tie	3
37	3-08328-04	. Mechanism Computer Harness	1
	7-00755-17	.. Connector Housing	2
	7-00756-01	.. Contact (Post)	30
	7-00757-02	.. Keying Plug	2
38	3-07817-02	. Slug Cup	1
39	2-17929-01	. Slug Cup Door	1
40	3-08519-01	. Coin Chute Assembly (Lower)	1
41	2-17930-01	. Slug Chute Bracket	1
42	2-13578-02	. Elastic Stop Nut	1
43	2-18481-01	. Slug Chute Assembly	1
44	3-07437-01	. Coin Chute Collar	1
45	2-17544-01	. Coin Chute Gasket	1
46	6-09150-06	. Shell Assembly (See Figure 5) (Black)	1
	6-09150-04	. Shell Assembly (See Figure 5) (Consolette)	1
47	2-18511-01	. Catch Assembly	1
48	2-17533-02	. Support Hinge (Not Shown)	1
49	4-07038-08	. Mounting Bracket & Coin Switch Assembly	1
	4-05793-01	.. Slug Rejector Mounting Bracket Assembly	1
	2-14114-01	.. Spacer	1
	3-05787-02	.. Coin Switch Assembly	1
	2-17902-01	.. Rejector Hinge	1
	2-06368-01	.. Stud	1
	2-18223-01	.. Slug Rejector Catch Plate	1
	4-06962-01	.. 3 Coin Acceptor (Plastic)	ALT
	4-07159-02	.. 4 Coin U.S. - Canadian Acceptor	1
50	3-08522-01	. Coin Chute & Scavenge Assembly	1
	3-08535-01	.. Back & Cover Assembly	1
	2-18458-01	.. Scavenger Actuator	1
	2-18453-01	.. Slug Rejection Actuator	1
	2-51569-04	.. Shoulder Washer	2
	7-01430-10	.. External Retainer Ring	1
	2-18457-01	.. Scavenge Link	1
	2-18459-01	.. Scavenge Shaft	1
	2-17656-01	.. Spring	1
	2-09225-02	.. Spacer	4
	2-12562-01	.. Spring	1
51	2-17422-01	. Bracket & Spring Assembly	1
52	2-17300-01	. Fall Stop Hook	1

FIGURE
1

RI-4 & RI-5 Phonograph Final Assembly Sheet 5

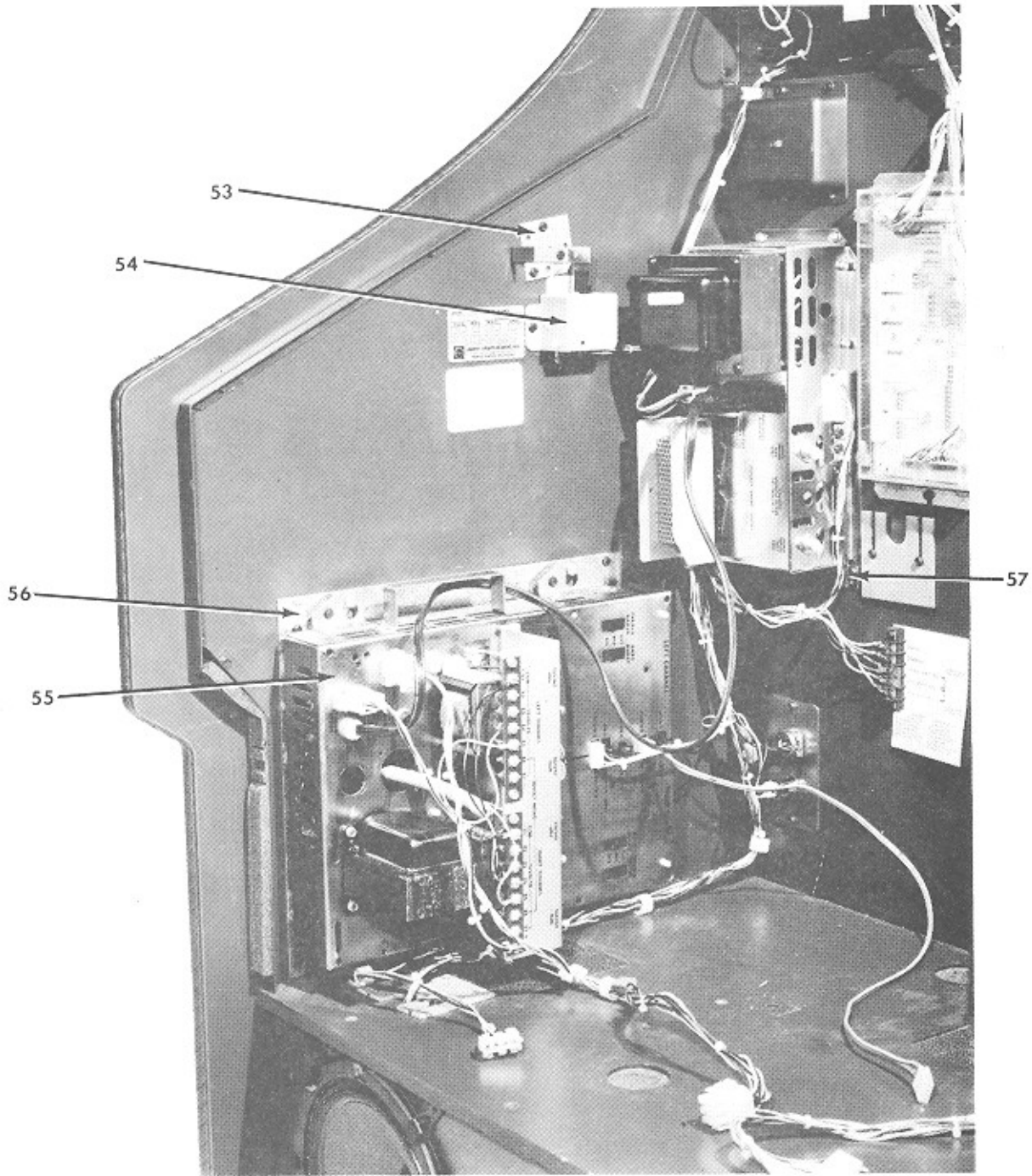


FIG. AND INDEX NO.	ROWE PART NO.	DESCRIPTION	QTY. PER ASSY
	01235505	RI-4 Phonograph (Continued)	
	01236505	RI-5 Phonograph (Continued)	
53	2-17493-01	. Reset Actuator Assembly	1
54	6-09164-02	. Harness & Console Assembly	1
	3-07490-03	.. Cap Housing (4 Ckt.)	1
	3-07491-05	.. Plug Housing (9 Ckt.)	1
	7-00975-01	.. Contact	7
	7-00975-02	.. Contact	13
	3-07491-04	.. Plug Housing (6 Ckt.)	1
	3-07491-03	.. Plug Housing (4 Ckt.)	1
	7-00755-05	.. Connector Housing	1
	7-00755-09	.. Connector Housing	1
	7-00926-05	.. Contact (Socket)	2
	7-00756-01	.. Contact (Post)	8
	7-00757-01	. Keying Pin	1
	3-07615-04	.. Switch Housing Assembly	1
	7-00931-03	.. Cable Clamp	1
	2-14944-01	.. Insulator	1
	7-00913-02	.. Terminal Lug	7
	7-00913-16	.. Terminal Lug	11
	7-00913-08	.. Terminal Lug	2
	7-00915-12	.. Terminal Lug	1
	2-18680-01	.. Control Plate	1
	2-13935-07	.. Volume Control & Cancel Assembly	1
	3-06285-01	... Potentiometer	1
	7-00910-12	... Terminal Lug	2
	2-15818-01	.. Push Button Momentary Contact Switch	1
	7-01355-11	.. Palnut	1
	2-18686-01	.. Volume Control Knob	1
	7-00991-01	.. Self Stripping Splice	8
	7-08001-07	.. Wire Tie	35
	7-00965-15	.. Terminal Strip	1
	2-18005-01	.. Jumper	1
55	6-09189-02	. Amplifier Assembly (50 Watt) (See Figure 6)	1
56	4-02426-01	. Amplifier Mounting Bracket Assembly	1
57	2-09256-01	. Junction Box Mounting Bracket	1

Front Door Assembly Sheet 1

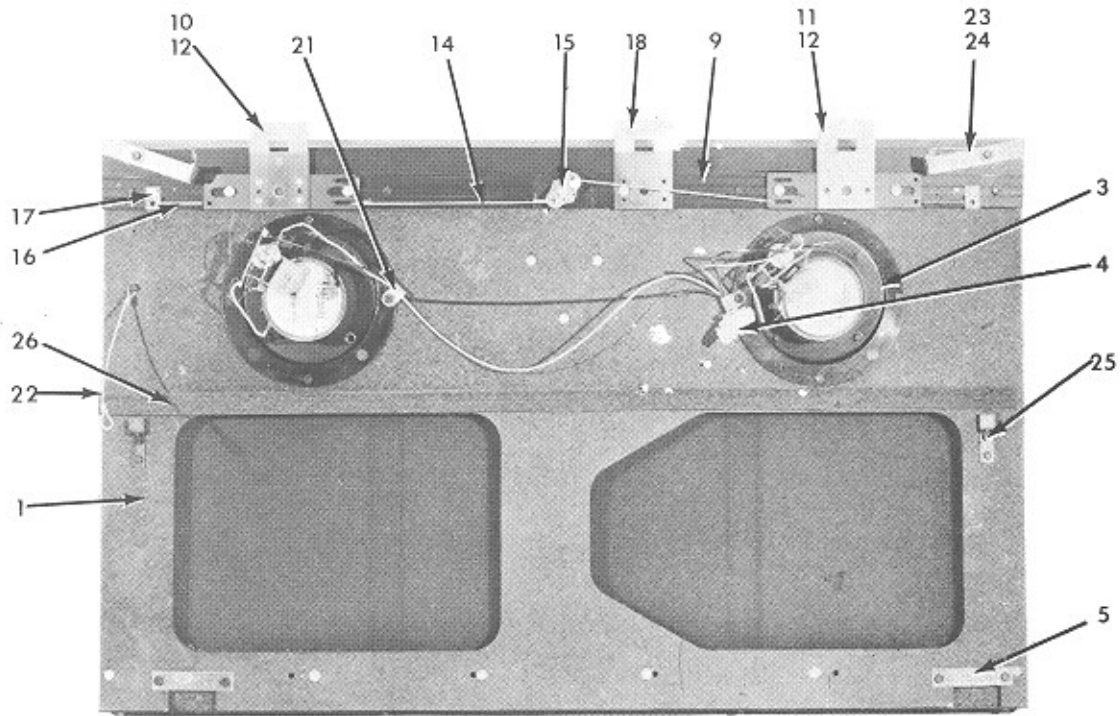
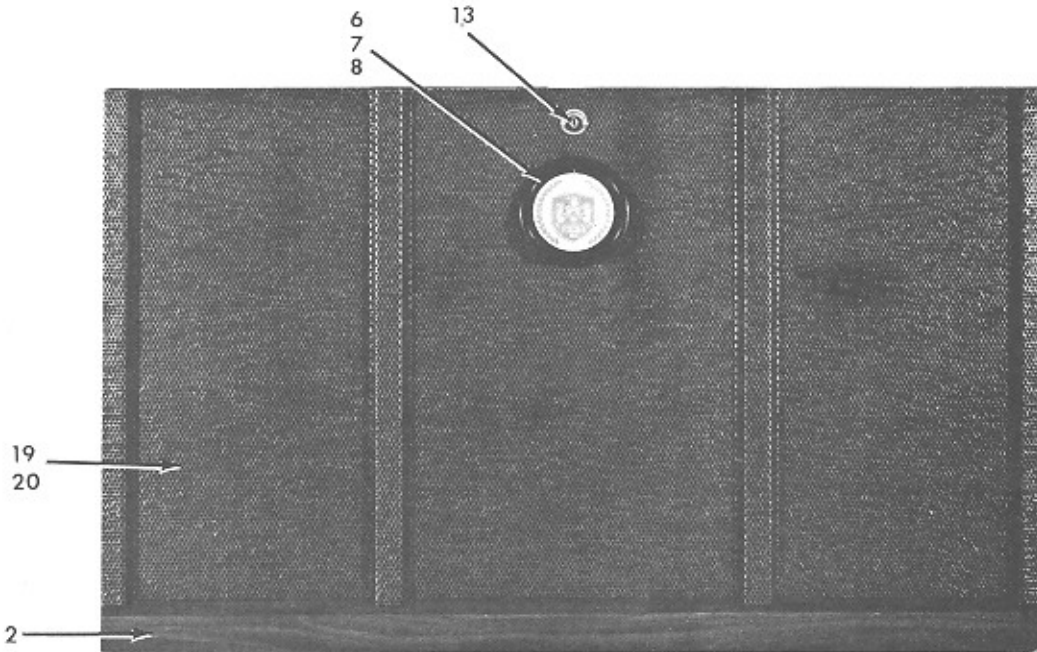


FIG. AND INDEX NO.	ROWE PART NO.	DESCRIPTION	QTY. PER ASSY
2-	6-09152-02	. Front Door Assembly (Figure 1, Item 4)	
1	6-09158-02	. Front Panel	1
2	4-07455-02	. Bottom Trim	1
3	4-07472-01	. Speaker Assembly	1
	4-07478-01	.. Speaker Mount	2
	3-08530-01	.. High Frequency Speaker	1
	7-00213-06	.. Mylar Capacitor	1
	2-18503-01	.. Crossover Coil	1
	7-00913-02	.. Terminal Lug	1
	7-00913-16	.. Terminal Lug	1
4	3-08543-01	. Speaker Harness	1
	3-07490-03	.. Plug Housing	1
	7-00975-01	.. Contact	4
	7-00913-02	.. Terminal Lug	2
	7-00913-16	.. Terminal Lug	2
5	2-18454-01	. Hinge Strap	2
6	3-08502-02	. Crest Holder	1
7	2-18451-01	. Crest	1
8	2-12815-01	. Push On Speednut	2
9	6-09154-01	. Speaker Panel Cap	1
10	2-18483-01	. Lock Bar Assembly (L. H.)	1
11	2-18484-01	. Lock Bar Assembly (R. H.)	1
12	2-09225-02	. Spacer	4
13	7-01632-08	. Cylinder Lock (Common Keying)	1
14	2-17249-01	. Lock Bar Link	2
15	2-14256-01	. Lock Bolt	1
16	2-12562-01	. Tension Spring	2
17	2-15674-01	. Spring Retainer	2
18	2-18455-01	. Catch	1
19	6-09156-02	. Grille	1
20	2-18491-01	. Pad	1
21	7-00931-01	. Cable Clamp	2
22	2-15726-01	. Fall Stop Cable	1
23	2-18501-01	. Latch	2
24	2-51569-07	. Shoulder Washer	2
25	2-17807-01	. Retainer Bracket	2
26	7-02204-49	. Foamed Tape	1

FIGURE
2A

Front Door Assembly Sheet 1

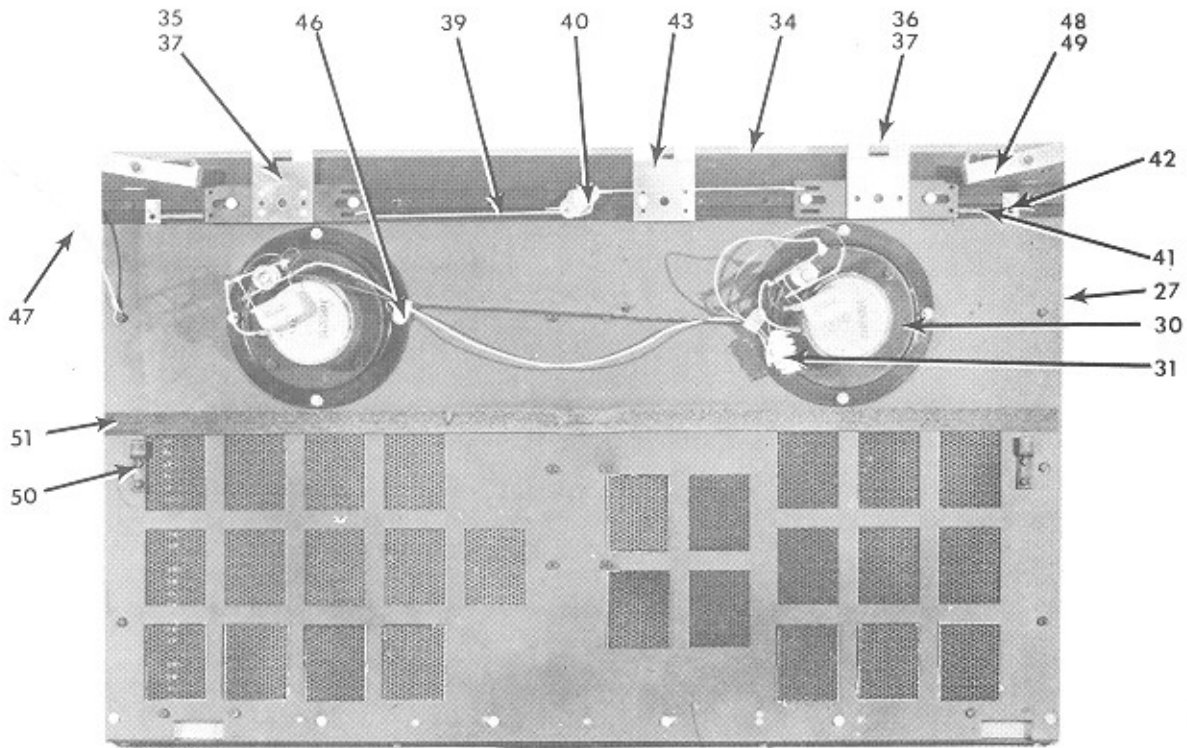
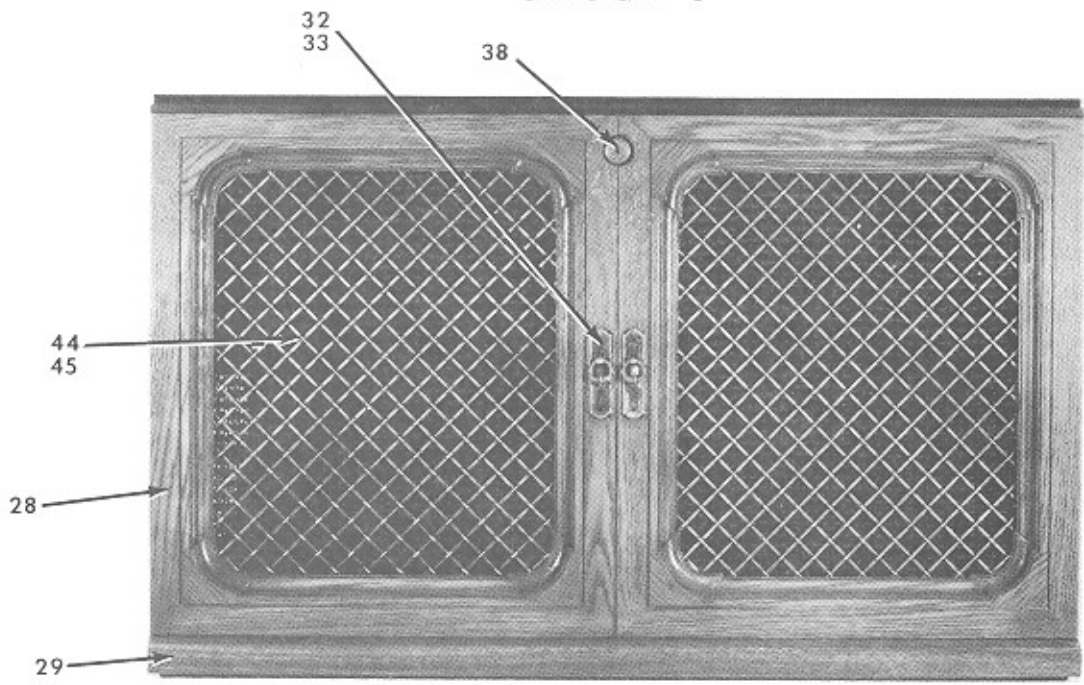


FIG. AND INDEX NO.	ROWE PART NO.	DESCRIPTION	QTY. PER ASSY
	6-09179-01	Front Door Assembly (Fig. 1 Item 4) (Continued)	
27	4-07481-01	. Panel Assembly	1
28	6-09177-01	. Furniture Front Panel	1
29	4-07479-01	. Bottom Trim	1
30	4-07472-02	. Speaker Assembly	2
	4-07478-01	.. Speaker Mount	1
	3-08530-01	.. High Frequency Speaker	1
	7-00213-06	.. Mylar Capacitor	1
	2-18503-01	.. Crossover Coil	1
	7-00913-02	.. Terminal Lug	1
	7-00913-16	.. Terminal Lug	1
31	3-08543-01	. Speaker Harness	1
	3-07490-03	.. Plug Housing (4 Ckt.)	1
	7-00975-01	.. Contact	4
	7-00913-02	.. Terminal Lug	2
	7-00913-16	.. Terminal Lug	2
32	2-18513-01	. Pull	2
33	2-18519-01	. Plate	2
34	6-09154-01	. Speaker Panel Cap	2
35	2-18483-01	. Lock Bar Assembly (LH)	1
36	2-18484-01	. Lock Bar Assembly (RH)	1
37	2-09225-02	. Spacer	4
38	7-01632-09	. Cylinder Lock (Common Keying)	1
39	2-17249-01	. Lock Bar Link	2
40	2-14256-01	. Lock Bolt	1
41	2-12562-01	. Tension Spring	2
42	2-15674-01	. Spring Retainer	1
43	2-18455-01	. Catch	2
44	4-07480-01	. Grille	2
45	3-08547-01	. Grille Cloth	2
46	7-00931-01	. Cable Clamp	2
47	2-15726-01	. Fall Stop Cable	1
48	2-18501-01	. Latch	2
49	2-51569-07	. Shoulder Washer	2
50	2-17807-01	. Retainer Bracket	2
51	7-02204-49	. Foamed Tape	1

Top Door Assembly Sheet 1

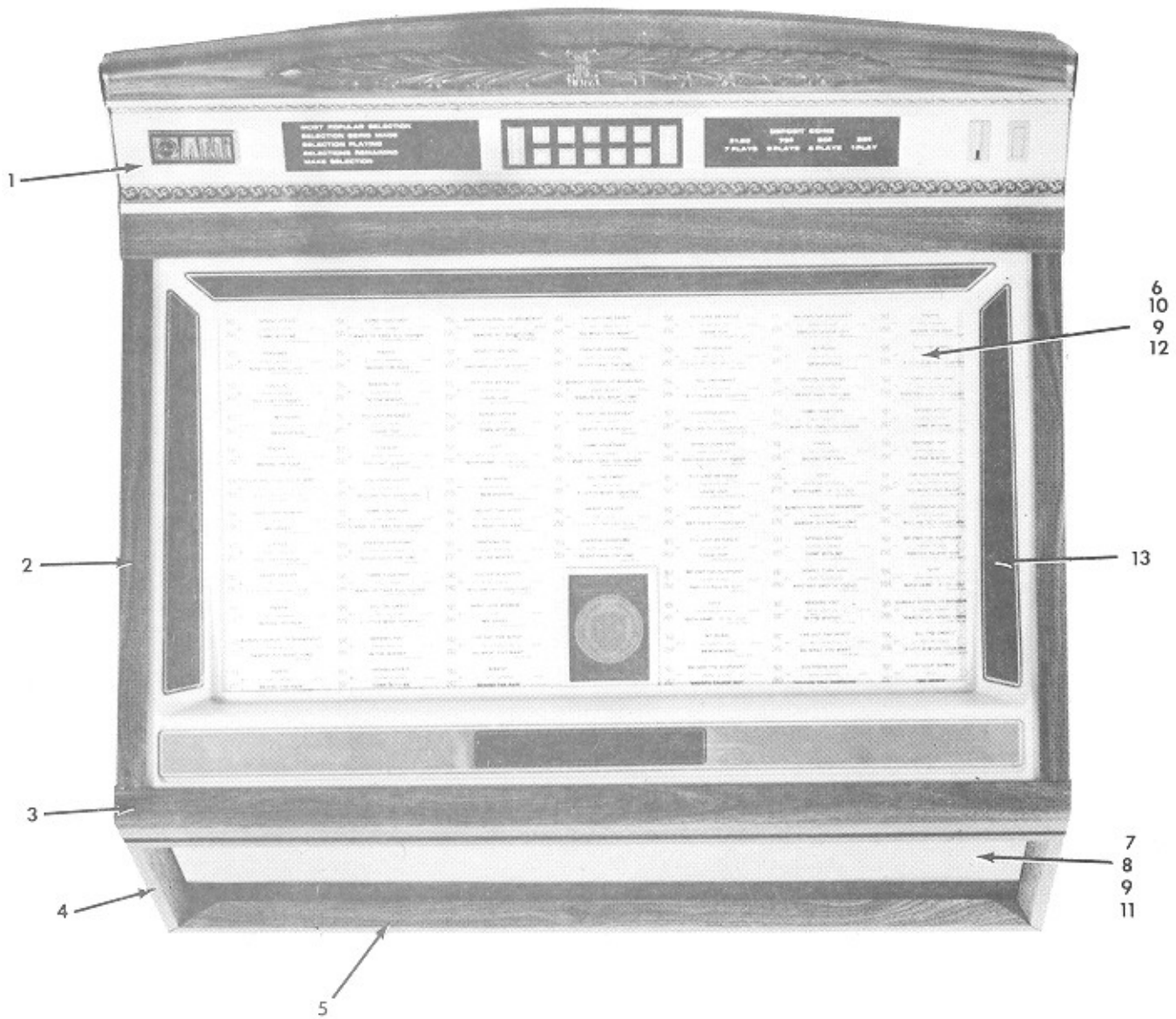


FIG. AND INDEX NO.	ROWE PART NO.	DESCRIPTION	QTY. PER ASSY
3-	6-09161-04	Top Door Assembly (Black)	
	6-09161-05	Top Door Assembly (Consolette) (Fig. 1, Item 3)	
1	6-09160-03	. Selector & Trim Ass'y (Black)	1
	6-09160-04	. Selector & Trim Ass'y (Consolette)	2
2	3-08501-02	. Door Trim (Black)	2
	3-08501-01	. Door Trim (Consolette)	2
3	4-07456-02	. Middle Door Trim (Black)	1
	4-07456-01	. Middle Door Trim (Consolette)	1
4	3-08503-02	. Door Frame (Black)	2
	3-08503-01	. Door Frame (Consolette)	2
5	3-08520-02	. Lower Door Trim Ass'y (Black)	1
	3-08520-01	. Lower Door Trim Ass'y (Consolette)	1
6	4-07464-02	. Glass & Scene Ass'y (Black)	1
7	4-07465-02	. Glass & Scene Ass'y (Black)	1
8	4-07465-03	. Glass & Scene Ass'y (Consolette)	1
9	2-18206-05	. Channel Rubber (Black)	4
	2-18206-05	. Channel Rubber (Consolette)	2
10	2-18206-06	. Channel Rubber (Black)	2
11	2-18206-07	. Channel Rubber (Black & Consolette)	2
12	2-18456-01	. Window (Consolette)	1
13	6-09178-01	. Frame & Decal Assembly (Consolette)	1

Top Door Assembly Sheet 2

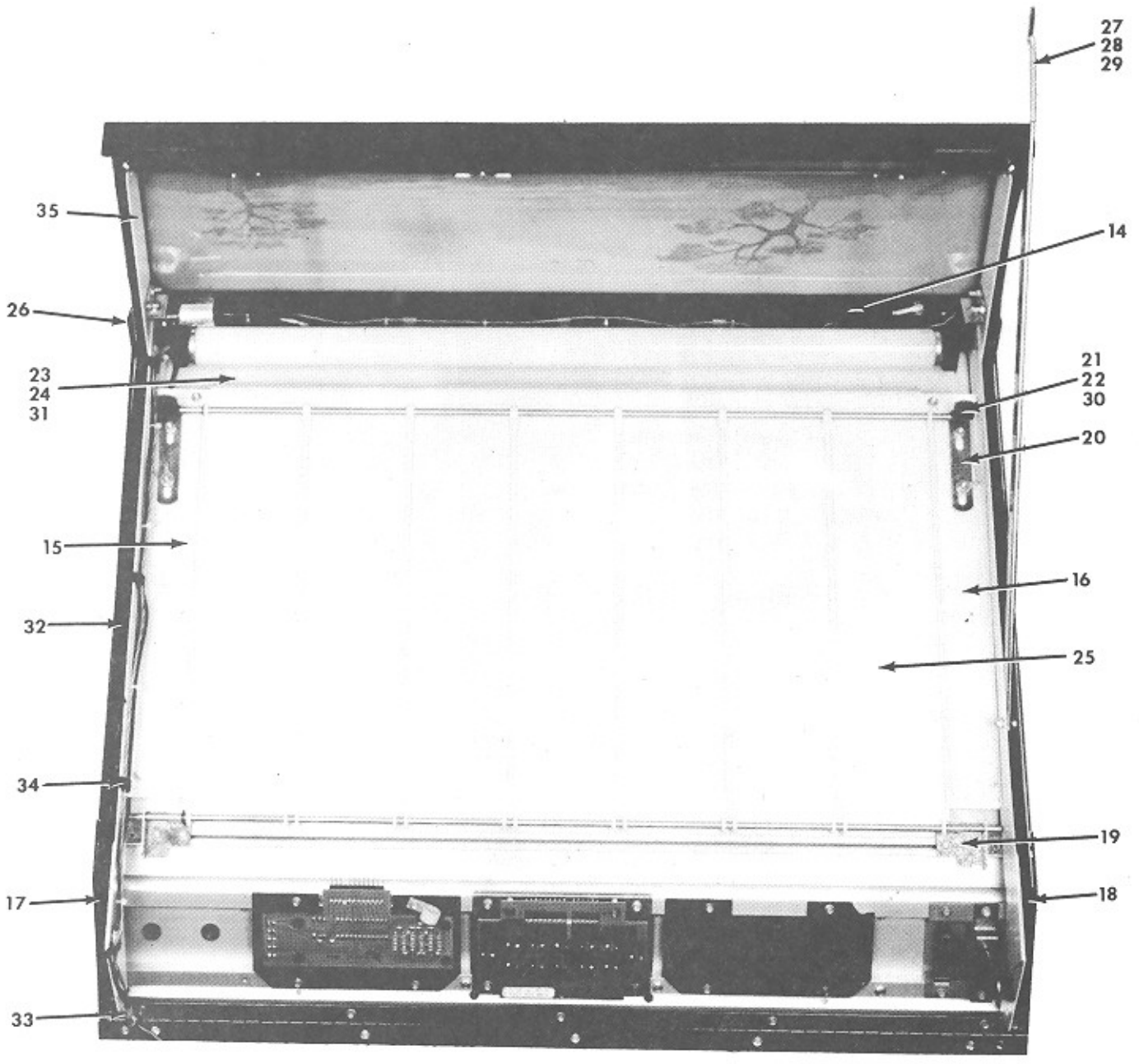


FIG. AND INDEX NO.	ROWE PART NO.	DESCRIPTION	QTY. PER ASSY
3-	6-09161-04	Top Door Assembly (Black) (Fig. 1, Item 3) (Continued)	
	6-09161-05	Top Door Assembly (Consolette) (Continued)	
14	2-09224-01	. Corner Gusset	8
15	4-07466-01	. Door Support Assembly (LH)	1
16	4-07467-01	. Door Support Assembly (RH)	17
17	3-08531-01	. End Cap (LH) (Consolette)	1
	3-08531-02	. End Cap (LH) (Black)	1
18	3-08532-01	. End Cap (RH) (Consolette)	1
	3-08532-02	. End Cap (RH) (Black)	1
19	2-18464-01	. Title Rack Retainer	1
20	2-12562-01	. Tension Spring	2
21	3-08514-01	. Title Rack Catch	2
22	2-51569-04	. Shoulder Washer	4
23	3-08517-01	. Diffuser Retainer	1
24	3-08521-01	. Diffuser (Black)	1
25	4-07468-01	. Title Rack Assembly (Black)	1
	4-07468-02	. Title Rack Assembly (Consolette)	1
	6-07571-01	. . Title Rack	7
	3-08500-01	. . Number Strip 100-213	1
	3-08500-02	. . Number Strip 114-227	1
	3-08500-03	. . Number Strip 130-243	1
	3-08500-04	. . Number Strip 144-253	1
	3-08500-05	. . Number Strip 154-267	1
	3-08500-06	. . Number Strip 170-283	1
	3-08500-07	. . Number Strip 184-297	1
	2-17944-04	. . Rod	1
	2-17944-05	. . Rod	1
	7-01430-03	. . Retaining Ring	2
	2-15689-01	. . Push Nut	2
	2-17946-02	. . License Holder	1
	2-18470-01	. . License Holder	1
	3-07841-01	. . License Holder Insert (Black)	1
	3-07841-02	. . License Frame (Black)	1
	3-07841-03	. . License Frame (Consolette)	1
	2-18517-01	. . Crest & Support Assembly (Consolette)	1
26	2-18499-01	. Light Block (LH) (Consolette)	1
	2-18499-02	. Light Block (LH) (Black)	1
27	3-08534-01	. Door Support	1
28	2-51569-10	. Shoulder Washer	1
29	2-13578-11	. Elastic Stop Nut	1
30	7-00917-02	. Solder Lug	2
31	2-09300-01	. Accordion Rivet (Black)	4
32	7-02204-47	. Foamed Tape	2
33	7-00931-03	. Cable Clamp	4
34	2-07545-01	. Clip	4
35	2-18500-01	. Light Block (RH) (Consolette)	1
	2-18500-02	. Light Block (RH) (Consolette)	1

FIGURE
4

Selector and Trim Assembly

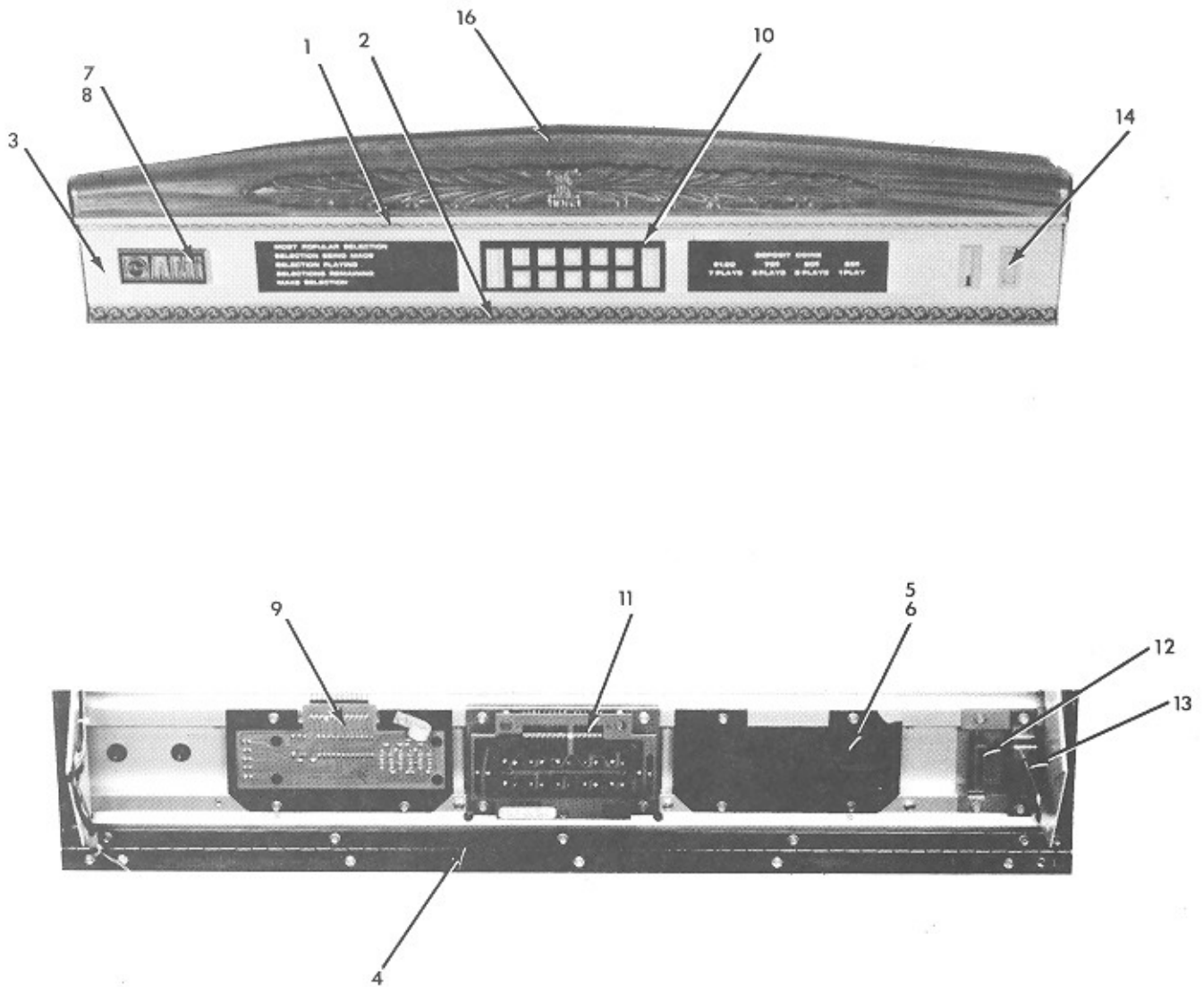


FIG. AND INDEX NO.	ROWE PART NO.	DESCRIPTION	QTY. PER ASSY
4	6-09160-03	Selector & Trim Assembly (Black) (Figure 3, Item 1)	
4	6-09160-04	Selector & Trim Assembly (Consolette) (Figure 3, Item 1)	
1	4-07451-03	. Top Trim (Black)	1
	6-09185-01	. Top Trim (Consolette)	1
2	4-07452-01	. Lower Trim (Consolette)	1
	4-07452-03	. Lower Trim (Black)	1
3	6-09151-01	. Center Trim (Consolette)	1
	6-09151-02	. Center Trim (Black)	1
4	3-08524-01	. Hinge (Consolette)	1
	3-08524-02	. Hinge (Black)	1
5	2-18461-01	. Price Card Window	2
6	4-07454-01	. Holder (Readout)	2
7	2-18450-01	. Rowe Nameplate	1
8	2-15328-01	. Push-On Speednut	2
9	4-07459-01	. Digital Display Assembly (See Schematic for P.L.)	1
10	4-07453-01	. Pushbutton Trim	1
11	4-07457-01	. Keyboard Assembly	1
12	3-08504-01	. Coin Inlet	1
13	2-18460-01	. Scavenger Guide	1
14	2-18474-01	. Reject Button & Shaft Assembly	1
	2-17916-03	. . Coin Return Button	1
	2-17914-02	. . Reject Button Shaft	1
15	7-00934-02	. Cable Clamp (Not Shown)	1
16	6-09180-01	. Wood Overlay (Consolette)	1

**FIGURE
5**

Shell Assembly

FIG. AND INDEX NO.	ROWE PART NO.	DESCRIPTION	QTY. PER ASSY
5-	6-09150-01	Shell Assembly (Figure 1, Item 46)	
	6-09150-23	. Shell (Consolette)	1
	6-09150-30	. Shell (Black)	1
	2-15372-01	. Teenut	2
	2-09326-01	. Teenut	2
	2-17278-01	. Teenut	8
	2-14886-01	. Caster	4
	2-17506-10	. Vent Tube	2
	2-17506-11	. Vent Tube	2
	7-00903-04	. Staple	4
	7-02401-19	. Wiremesh Screen	2
	7-00903-03	. Staple	8
	3-06257-01	. Hand Hole Cover	2
	4-07028-03	. Skid Rail	2
	6-09159-01	. Top Panel (Consolette)	1
	6-09159-02	. Top Panel (Black)	1
	3-08321-01	. Side Protective Strap (Consolette)	2
	3-08321-02	. Side Protective Strap (Black)	2
	2-14518-01	. Spring Lock	1
	3-08523-03	. Upper Edge Trim (Black)	2
	3-08525-03	. Lower Edge Trim (Black)	2
	6-09279-01	. Cash Bag Bracket	1
	2-17996-03	. Tee Molding (Consolette)	

Stereo Amplifier System Assembly Sheet 1

FIGURE
6⁰

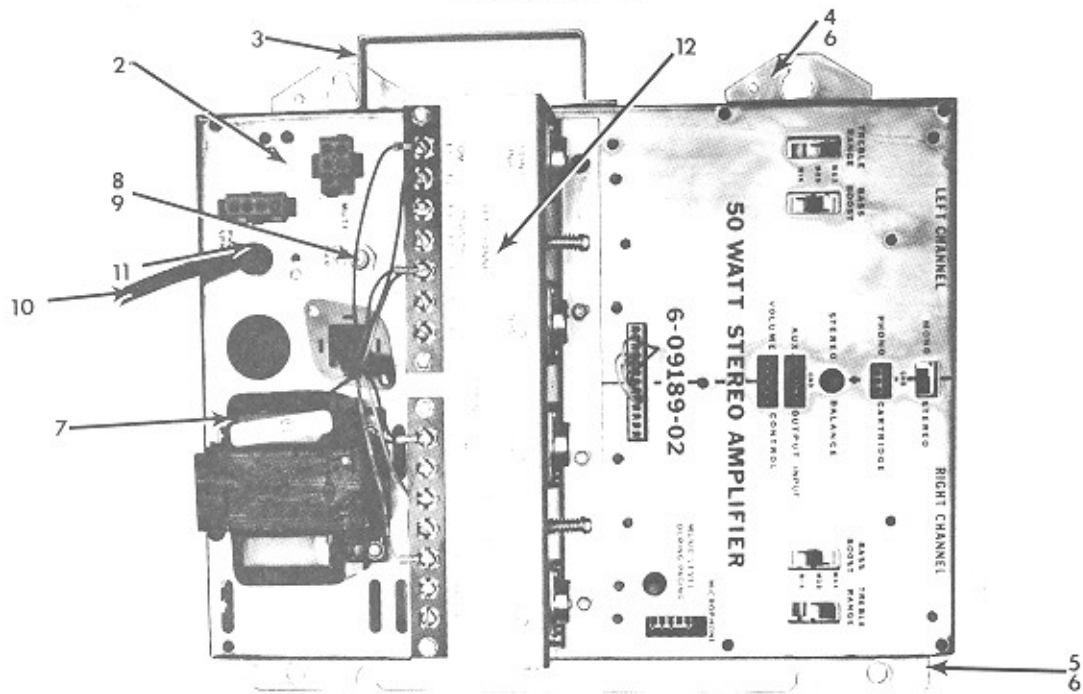


FIG. AND INDEX NO.	ROWE PART NO.	DESCRIPTION	QTY. PER ASSY
6	6-09189-02	Stereo Amplifier Assembly (50W) (Figure 1, Item 55)	1
1	6-09191-02	.. Power Amplifier Ass'y (50Watt)	1
2	6-07441-06	.. Chassis Assembly With Lettering	1
3	2-14881-01	.. Handle	1
4	2-09272-01	.. Mounting Bracket	2
5	2-06273-01	.. Mounting Bracket	1
6	7-01113-20	.. Semi-Tubular Rivet	10
7	4-07450-01	.. Power Transformer	1
8	7-00733-11	.. Circuit Breaker	1
9	7-01220-11	.. Internal Lock Washer	1
10	7-00502-02	.. 3 Conductor Cord & Plug	1
11	7-02322-05	.. Strain Relief	1
12	4-07489-01	.. Heat Sink Assembly	1
	3-08544-02	... Heat Sink With Lettering	1
	2-18342-01	... Power Transistor Socket	4
	3-04253-03	... Diode Bias Assembly	2
	7-01217-17	... Spacer	2
	2-18420-01	... Spring - Compression	2
	7-01200-09	... Washer	2
	3-04225-17	... Terminal Strip	2
	7-00755-06	... Connector Housing	2
	7-00756-01	... Post Contact	12
	7-0032-10	... Transistor (NPN Darlington) (Motorola-2N6055)	2
	7-00302-11	... Transistor (PNP Darlington) (Motorola-2N6053)	2
	2-13189-01	... Insulator	4 95

Stereo Amplifier System Assembly Sheet 2

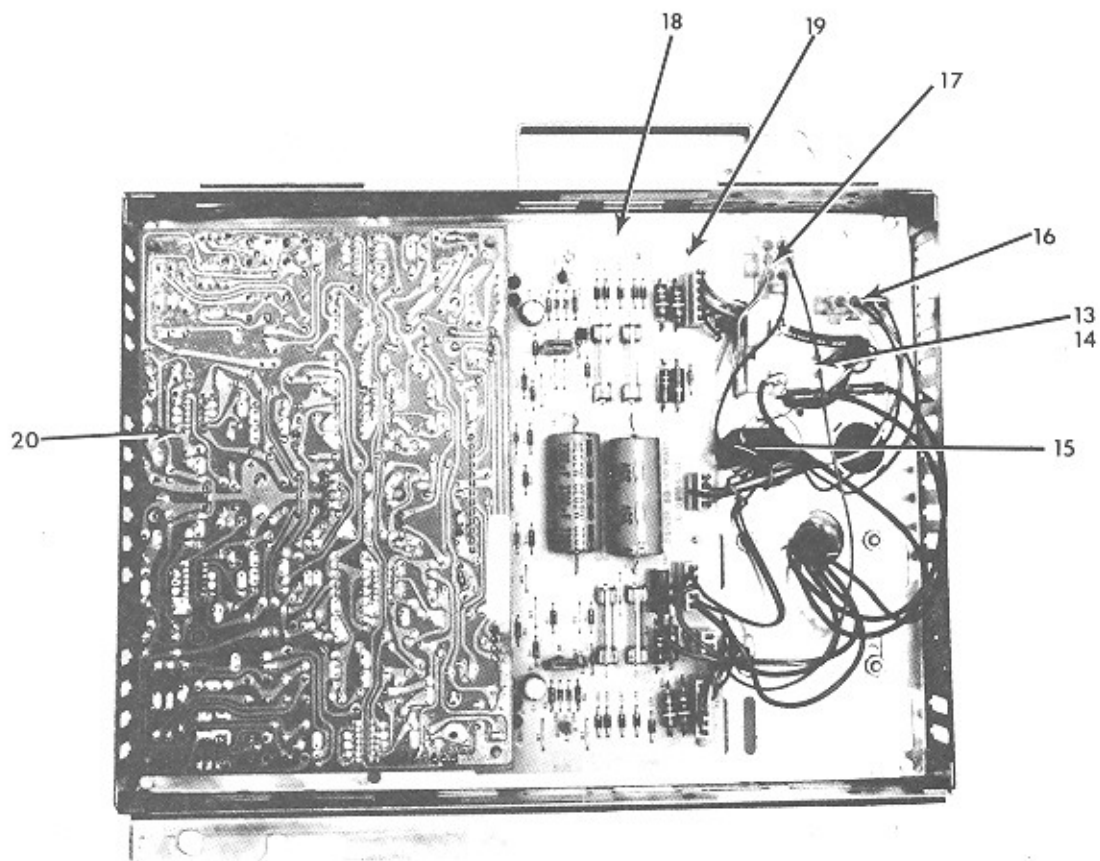


FIG. AND INDEX NO.	ROWE PART NO.	DESCRIPTION	QTY. PER ASSY
6-	6-09189-02	Stereo Amplifier (Continued)	
13	2-17241-01	.. Terminal Strip	1
14	7-01110-26	.. Semi-Tubular Rivet	1
15	7-00213-01	.. Mylar Capacitor	1
16	2-15373-06	.. Plug & Cable Ass'y (50W)	1
	7-00910-12	.. Terminal Lug	4
	3-07490-03	... Cap Housing	1
	7-00975-02	... Contact	4
17	3-07488-02	.. Plug & Cable Ass'y	1
	3-07490-04	... Cap Housing (6Ckt.)	3
	7-00975-02	... Contact	1
	7-00755-03	... Connector Housing (3 Ckt.)	1
	7-00755-02	... Connector Housing (2 Ckt.)	1
	7-00756-01	... Post Contact	2
18	6-09186-01	.. Driver Board (50W)	1
19	7-05000-04	. Circuit Board Support	6
	7-05000-18	.. Circuit Board Support	4
	7-00917-05	.. Solder Lug	1
20	6-07925-01	. Preamplifier Assembly	1

FIGURE 7

Central Control Computer

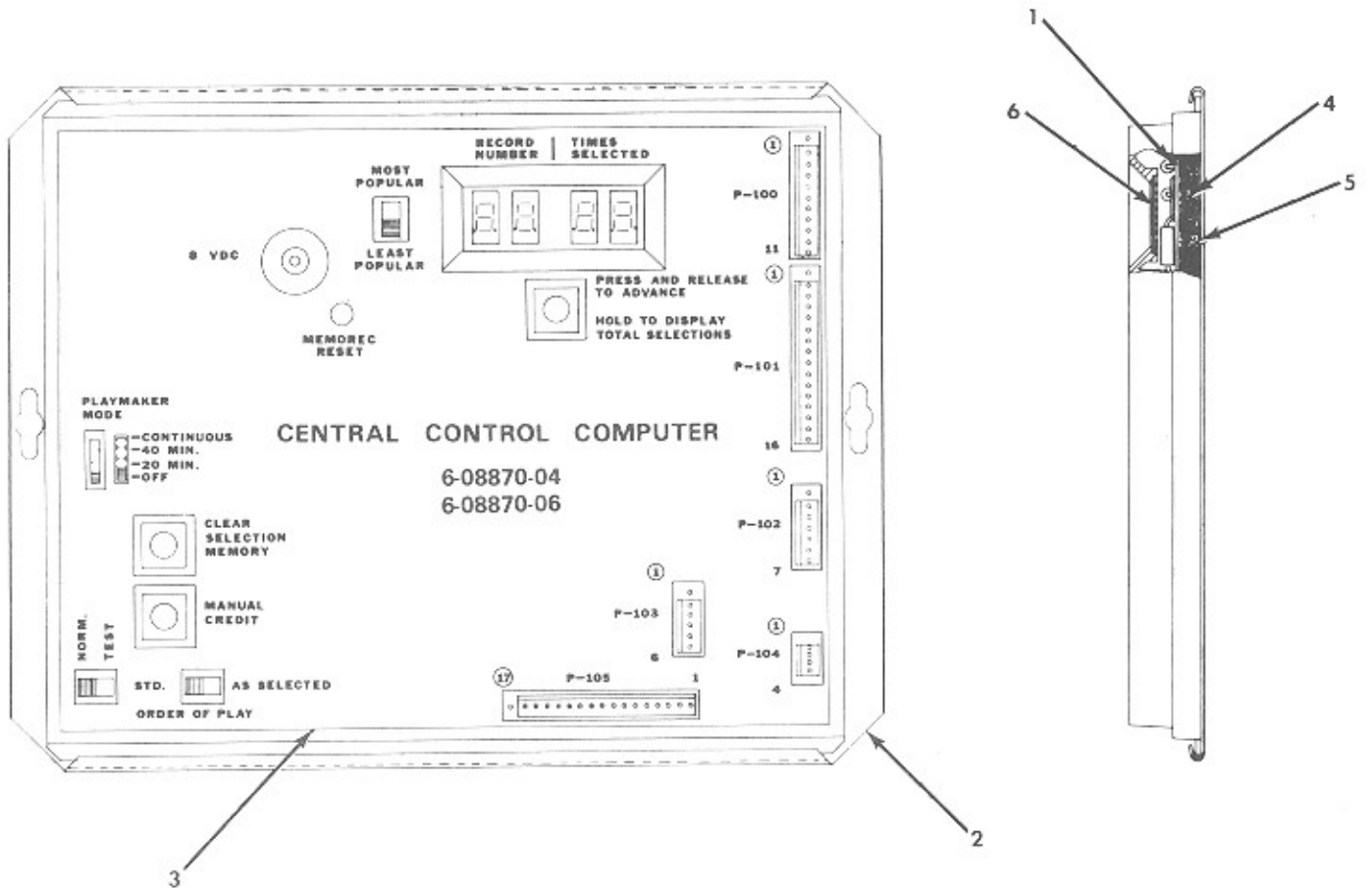


FIG. AND INDEX NO.	ROWE PART NO.	DESCRIPTION	QTY. PER ASSY
Central Control Computer (Fig. 1, Item 26)			
7-	6-08870-04	Yellow (6500/1 chip)	
	6-08870-06	White (3870 chip)	
1	6-08871-03	. Central Computer Circuit Board Assembly (See Schem. for P.L.)	1
2	6-08883-01	. Central Computer Base	1
3	4-07322-03	. Central Control Computer Cover	1
4	2-17711-06	. Insulation Base	1
5	2-17710-09	. Insulation Pad	1
6	2-17819-05	. Display Card Light Filter	1

Main Power Supply

(120V MODEL)

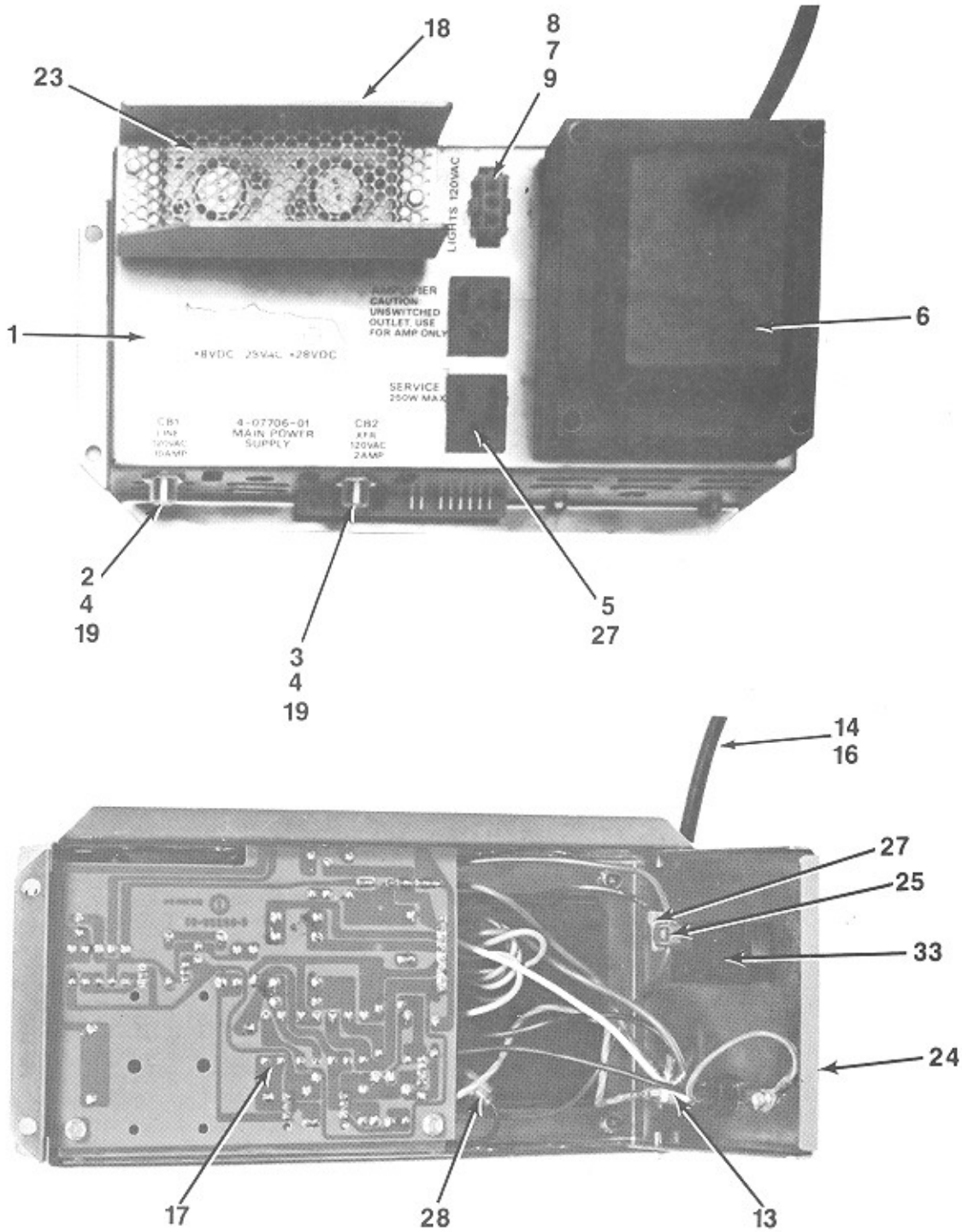


FIG. AND INDEX NO.	ROWE PART NO.	DESCRIPTION	QTY. PER ASSY
8-	4-07706-01	Main Power Supply (120V) (Fig. 1, Item 18)	
	4-65092-02	Main Power Supply (220V)	
	4-65092-03	Main Power Supply (240V)	
1	4-07719-01	. Chassis Assembly	1
2	7-00734-25	. 10 Amp Circuit Breaker	1
3	7-00733-15	. 2 Amp Circuit Breaker	1
4	7-01220-01	. Washer (Internal Lock) Part of Breaker	2
5	2-13759-01	. 3 Wire Convenience Outlet	2
6	4-07720-01	. Transformer (120V)	1
	4-07720-26	.. Power Transformer (120V)	1
	4-65093-26	.. Power Transformer (220V-240V)	REF
	7-00756-01	.. Contact	6
	7-00756-01	.. Post Contact (220V-240V)	5
	7-00975-04	.. Contact	1
	7-00913-08	.. Terminal Lug	1
	7-00913-08	.. Terminal Lug (220V-240V)	4
7	3-07490-02	. Cap Housing	1
8	7-00975-04	. Contact (220V-240V)	3
9	7-00975-04	. Contact (120V)	2
10	7-00913-08	. Terminal Lug (120V) (Not Shown)	2
11	7-00913-08	. Terminal Lug (220V-240V) (Not Shown)	4
12	7-00913-22	. Terminal Lug (Not Shown)	1
13	7-00915-11	. Ring Terminal	2
14	3-08345-06	. Power Cord Assembly (120V)	1
15	3-65365-01	. Power Cord Assembly (220V-240V)	1
16	7-02321-04	. Strain Relief	1
17	6-09357-01	. Circuit Board Assembly	1
18	4-07331-02	. Heat Sink and Power Transistor Assembly	1
	3-08343-01	.. Power Supply Heat Sink	1
	7-00308-07	.. Transistor (Darlington) (2N6055)	2
	2-13189-01	.. Insulator	2
	2-18342-01	.. Power Transistor Socket	2
	7-00755-04	.. Connector Housing	2
	7-00756-01	.. Post Contact	6
	7-00757-02	.. Keying Post	2
19	2-14086-02	. Straight Receptacle (120V)	4
20	2-14086-02	. Straight Receptacle (220V-240V)	8
21	7-00734-21	. Breaker 220/240 (5A) (Not Shown)	2
22	7-00734-22	. Breaker 220/240 (6A) (Not Shown)	1
23	2-18281-01	. Heat Sink Cover	1
24	3-08673-01	. Switch Panel	1
25	7-00967-01	. Insulated Faston (120V)	4
26	7-00967-01	. Insulated Faston (220V-240V)	3
27	7-00992-01	. Self Stripping Terminal	5
28	7-00991-01	. Self Stripping Splice	1
29	7-00755-08	. Connector Housing	1
30	7-00757-02	. Keying Plug	1
31	7-00756-01	. Post Contact (120V)	1
32	7-00756-01	. Post Contact (220V-240V)	2
33	3-07857-01	. Rocker Switch (120V)	1
34	3-07857-02	. Rocker Switch (220V-240V)	1
35	2-17241-01	. Terminal Retainer Strip (220V-240V)	1

Mechanism Assembly Sheet 1

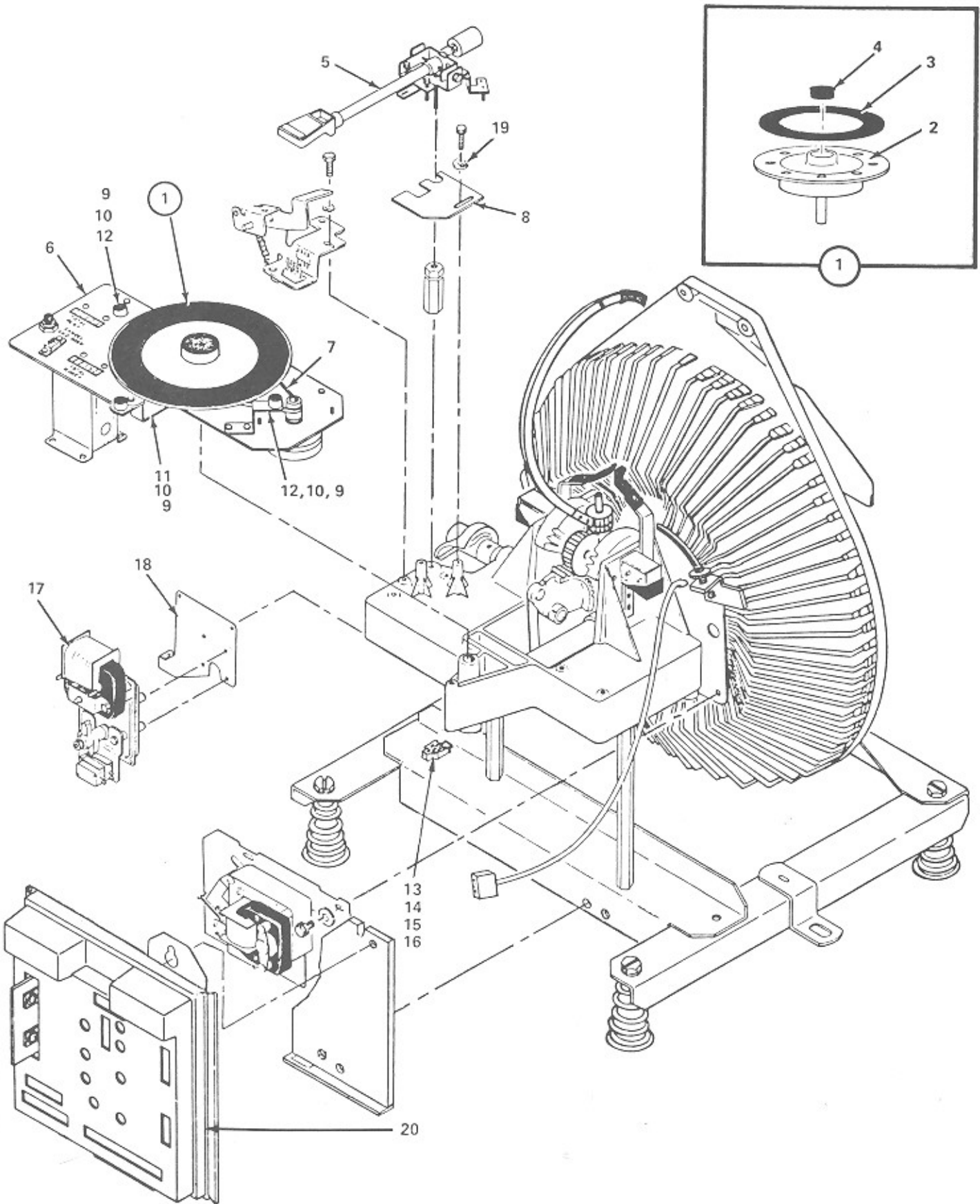


FIG. AND INDEX NO.	ROWE PART NO.	DESCRIPTION	QTY. PER ASSY
9.	6-08700-01	Mechanism Assembly (Fig. 1, Item 15) (60Hz.)	
	6-08700-02	Mechanism Assembly (Fig. 1, Item 15) (50Hz.)	
1	3-07921-01	.. Turntable Assembly	1
2	4-07215-01	.. Turntable & Shaft Assembly	1
3	3-05235-01	.. Turntable Face	1
4	2-18163-01	.. Hole Plug	1
5	4-07217-01	.. Tone Arm & Pivot Assembly (See Fig. 10)	1
6	3-07935-01	.. Plate & Counter Assembly	1
	2-15818-01	.. Momentary Contact Switch	1
	3-07942-01	.. Brush Holder	1
	2-02182-01	.. Brush	1
	4-07220-01	.. Counter Mounting Plate	1
	2-18137-01	.. Counter Assembly	1
	2-15383-02	... Counter	1
	2-14418-02	... Electric Counter	1
	7-00921-04	... Solderless Connector	1
	7-00755-05	... Connector Housing	4
	7-00756-01	... Post Contact	1
	7-00757-02	... Keying Plug	4
7	3-07922-01	.. Turntable Drive Belt	1
8	3-07938-02	.. Tone Arm Cutoff Circuit Board Assembly	1
	4-07225-02	.. Printed Wiring Board	1
	2-10726-02	.. Reed Switch	1
	7-00760-02	.. Polarized Wafer 90°	1
	2-18181-01	.. Contact	1
	7-00770-01	.. Socket - Minit Spring	2
9	2-09300-04	.. Accordion Rivet	3
10	2-18139-01	.. Grommet	3
11	2-18122-01	.. Gripper Bow Bracket (Front)	1
12	2-18121-01	.. Gripper Bow Bracket (Side)	2
13	4-07224-01	.. Mechanism Harness Assembly	1
	3-07490-05	.. Cap Housing (9 Ckt.)	1
	3-00795-01	.. Contact	1
	3-00795-03	.. Contact	7
	7-00755-02	.. Connector Housing	2
	7-00755-08	.. Connector Housing	1
	7-00755-10	.. Connector Housing	1
	7-00756-01	.. Post Contact	17
	7-00757-01	.. Keying Plug	1
	7-00757-02	.. Keying Plug	2
	7-00913-02	.. Terminal Lug	2
	7-00913-06	.. Terminal Lug	5
	7-00913-08	.. Terminal Lug	2
	7-00913-14	.. Terminal Lug	2
	7-00916-02	.. Spade Terminal Lug	9
	7-00921-07	.. Solderless Connector	1
	7-08001-07	.. Cable Tie	1
14	2-07545-01	.. Clip	20
15	2-05545-01	.. Cable Clip	1
16	7-00934-01	.. Cable Clamp	1
17	4-07208-01	.. Cam Switch & Motor Assembly (See Fig. 12)	1
18	3-07907-01	.. Motor Mounting Plate	1
19	7-01200-02	.. Washer	1
20	4-07221-02	.. Mechanism Control Unit	1
	3-07943-02	.. Mechanism Control Base	1
	2-17710-08	.. Insulating Pad	1
	2-17711-05	.. Insulating Base	1
	6-08708-02	.. Mechanism Control Circuit Board Ass'y (See Schem. for P.L.)	1
	4-07231-02	.. Cover	1

Mechanism Assembly Sheet 2

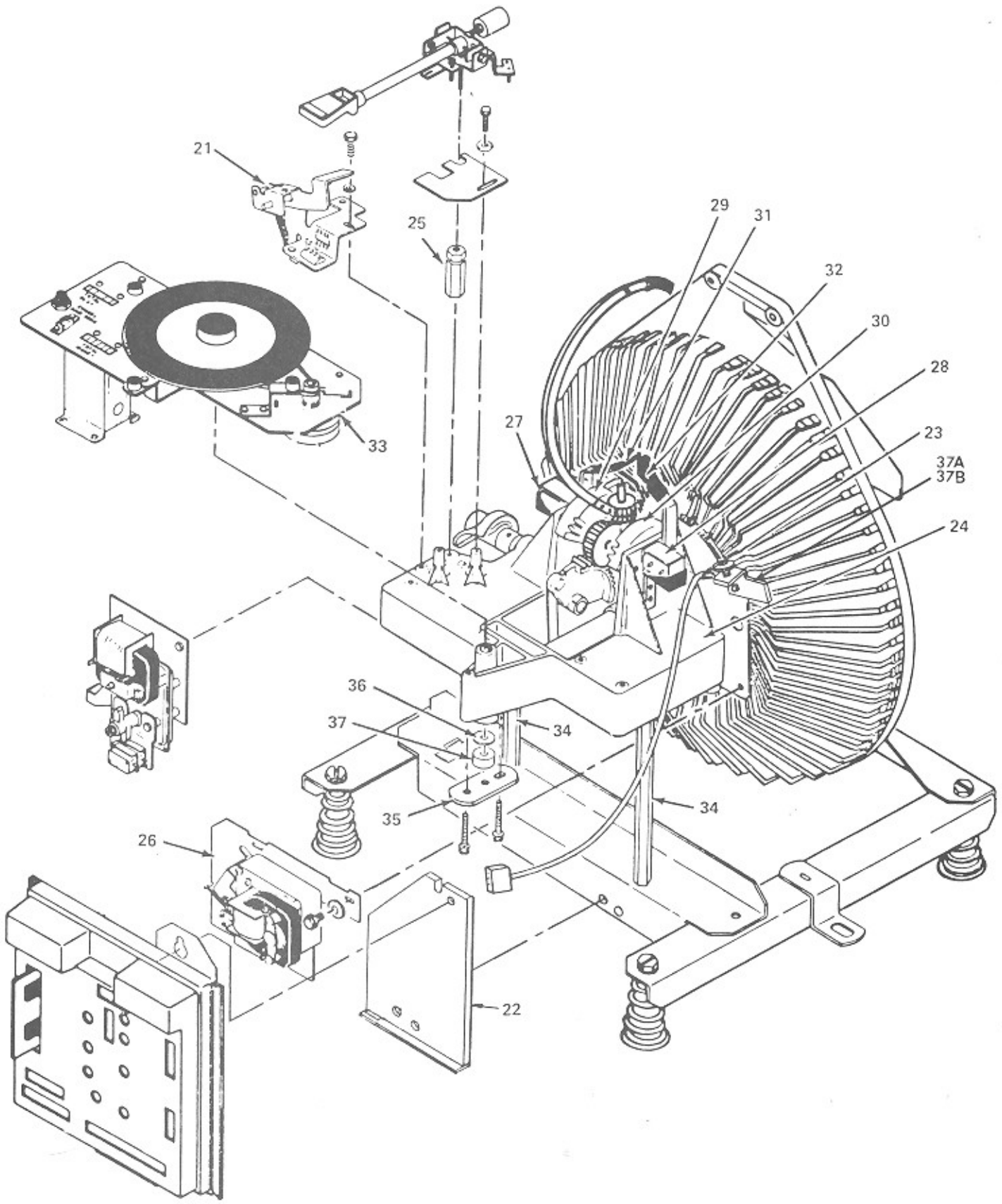


FIG. AND INDEX NO.	ROWE PART NO.	DESCRIPTION	QTY. PER ASSY
9-	6-08700-01	Mechanism Assembly (Continued)	
21	3-07926-01	. Lifting Lever & Bracket Assembly	1
	2-18158-01	.. Lifting Lever Bracket Assembly	1
	2-18159-01	.. Lifting Lever Assembly	1
	7-01430-05	.. Retaining Ring	1
	2-15760-01	.. Tension Spring	1
	2-18162-01	.. Grounding Clip	1
	7-00745-04	.. Chassis Mount Wafer (4 Ckt.)	1
	7-01111-06	.. Semi Tubular Rivet	1
22	3-08541-01	. Mechanism Control Mount	1
23	3-07927-01	. Optical Switch Assembly	1
	3-07945-01	.. Mounting Bracket	1
	3-07944-01	.. Optical Switch & Connector Assembly	1
	4-07226-01	... Optical Switch	1
	7-00755-05	... Connector Housing	1
	7-00757-02	... Keying Plug	1
	7-00756-01	... Contact Post	1
	7-08001-01	.. Cable Tie	2
24	7-03122-01	. Mechanism Name Plate	1
25	2-10708-02	. Bearing Assembly	1
	2-18157-01	.. Tone Arm Bearing	1
	2-08934-01	.. Ball Bearing	1
26	4-07219-01	. Sprag Assembly (See Fig. 11)	1
27	2-18182-01	. Toggle Solenoid Assembly (LH)	1
28	2-18183-01	. Toggle Solenoid Assembly (RH)	1
29	3-07905-01	. Rotator Assembly (LH)	1
30	3-07906-01	. Rotator Assembly (RH)	1
31	2-18118-01	. Record Guide Assembly (LH)	1
32	2-18199-01	. Record Guide Assembly (RH)	1
33	3-07917-01	. Turntable Motor & Plate Assembly (60Hz.)	1
	3-07917-02	. Turntable Motor & Plate Assembly (50Hz.)	1
	3-07918-01	.. Turntable Motor Mounting Plate	1
	2-18171-02	.. Turntable Belt Guide	1
	3-07919-07	.. Turntable Motor Assembly (60Hz.)	1
	3-07919-08	.. Turntable Motor Assembly (50Hz.)	1
	2-18178-01	.. Motor Pulley (45 Rpm) 60hz.	2
	2-18178-02	.. Motor Pulley (45 Rpm) 50hz.	1
34	2-18125-01	. Mech Support	15
35	2-18124-01	. Cap Plate	1
36	2-10364-01	. Thrust Bearing	1
37	2-10866-01	. Spacer Bearing	1
37A	2-18186-01	. Adjusting Bracket Ass'y	1
37B	2-18184-01	. Adjusting Knob	1

Mechanism Assembly Sheet 3

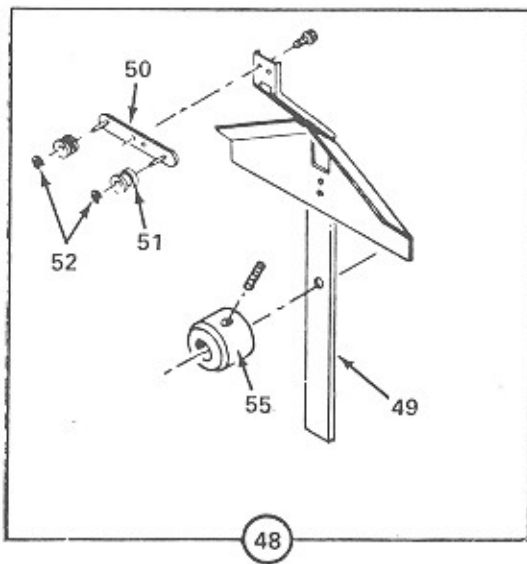
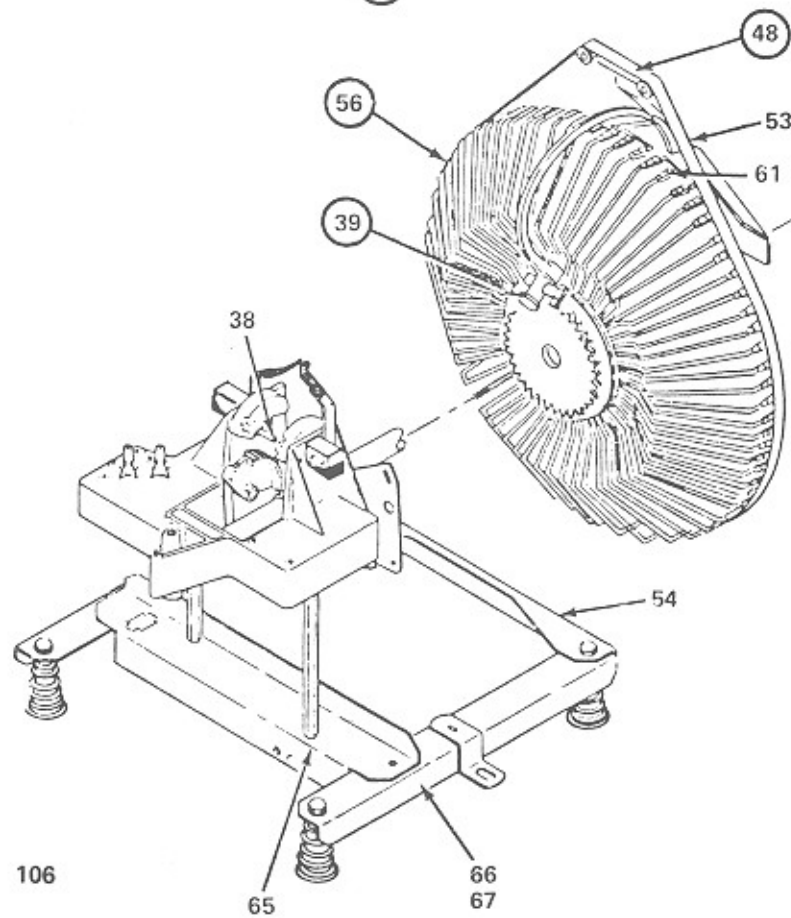
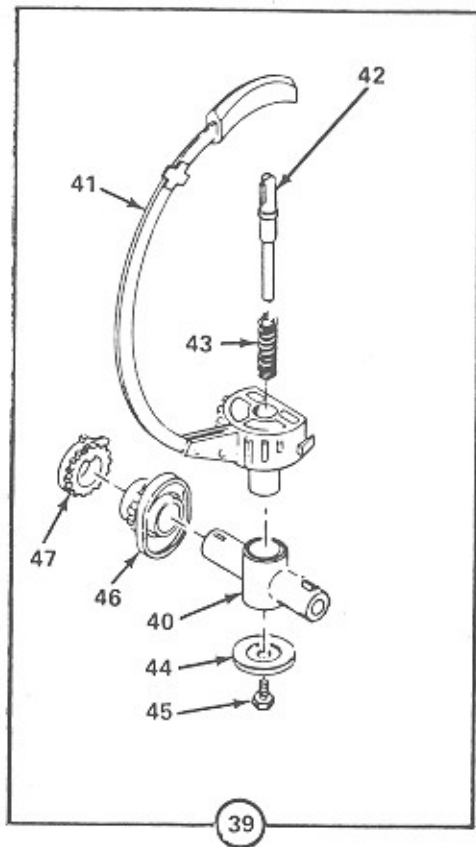
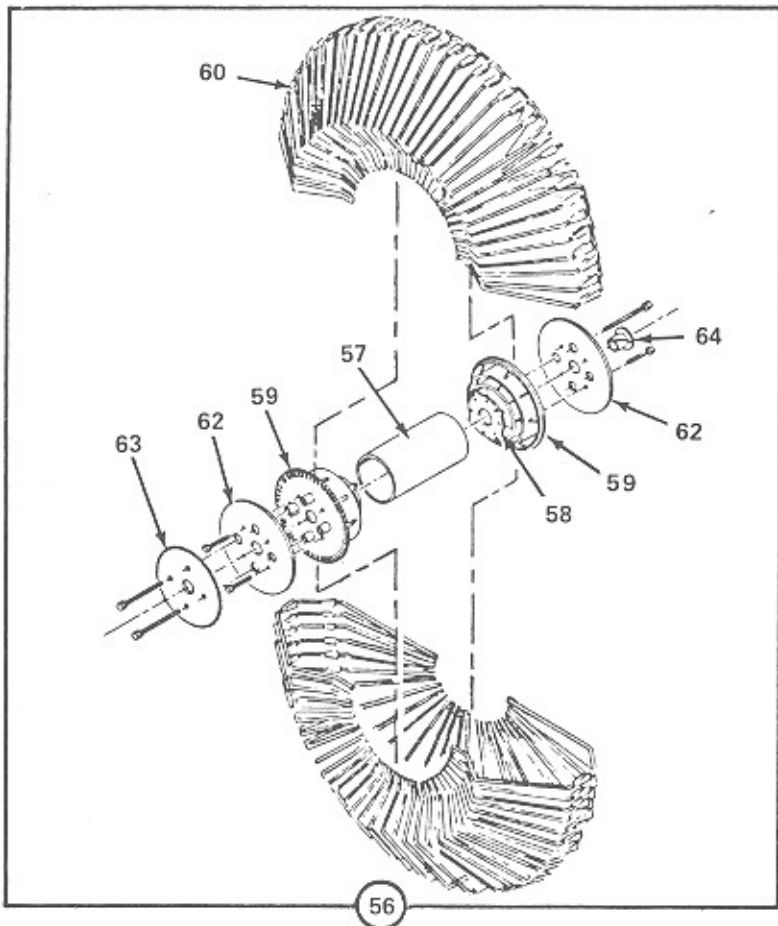


FIG. AND INDEX NO.	ROWE PART NO.	DESCRIPTION	QTY. PER ASSY
9-	6-08700-01	Mechanism Assembly (Continued)	
38	2-10792-02	. Trunnion Pin	2
39	4-07207-01	. Gripper & Trunnion Assembly	1
40	3-07910-01	.. Trunnion	1
41	3-05197-02	.. Gripper Bow & Hub Assembly	1
42	2-10808-03	.. Inner Shoe Assembly	1
43	2-10811-01	.. Record Release Spring	1
44	2-18115-01	.. Cam Follower Assembly	1
45	2-18117-01	.. Lock Screw	1
46	4-07204-01	.. Cam Gear	1
47	4-07206-01	.. Trunnion Gear	1
48	4-07212-01	. Guide & Belt Support Assembly	1
49	4-07213-01	.. Gripper Bow Guide Assembly	1
50	2-10894-01	.. Roller Bracket Assembly	1
51	2-03843-01	. Belt Roller	1
52	7-01430-03	.. Retaining Ring	1
53	2-18138-01	. Belt	1
54	3-07925-01	. Support Frame Rear Angle	1
55	2-18126-01	. Collar	1
56	6-08703-01	. Magazine Assembly	1
57	4-07200-01	.. Hub Spacer	1
58	3-07902-01	.. Hub Anchor Plate	2
59	6-08702-01	.. Magazine Hub	2
60	4-07201-01	.. Record Magazine Separator	100
61	4-07202-01	.. Belt Guide	100
62	3-07903-01	.. Cover Plate	2
63	3-07904-01	.. Magazine Gear	1
64	7-01460-01	.. Bearing	2
65	2-11013-01	. Lock Nut	1
66	3-07914-01	. Mechanism Support & Spring Assembly	1
	3-07915-01	.. Mech Support Assembly	1
	2-06272-01	.. Spring Support (Upper)	4
	2-06128-03	.. Mech Mounting Spring	4
67	4-07232-01	. Support Magazine	1

Mechanism Assembly Sheet 4

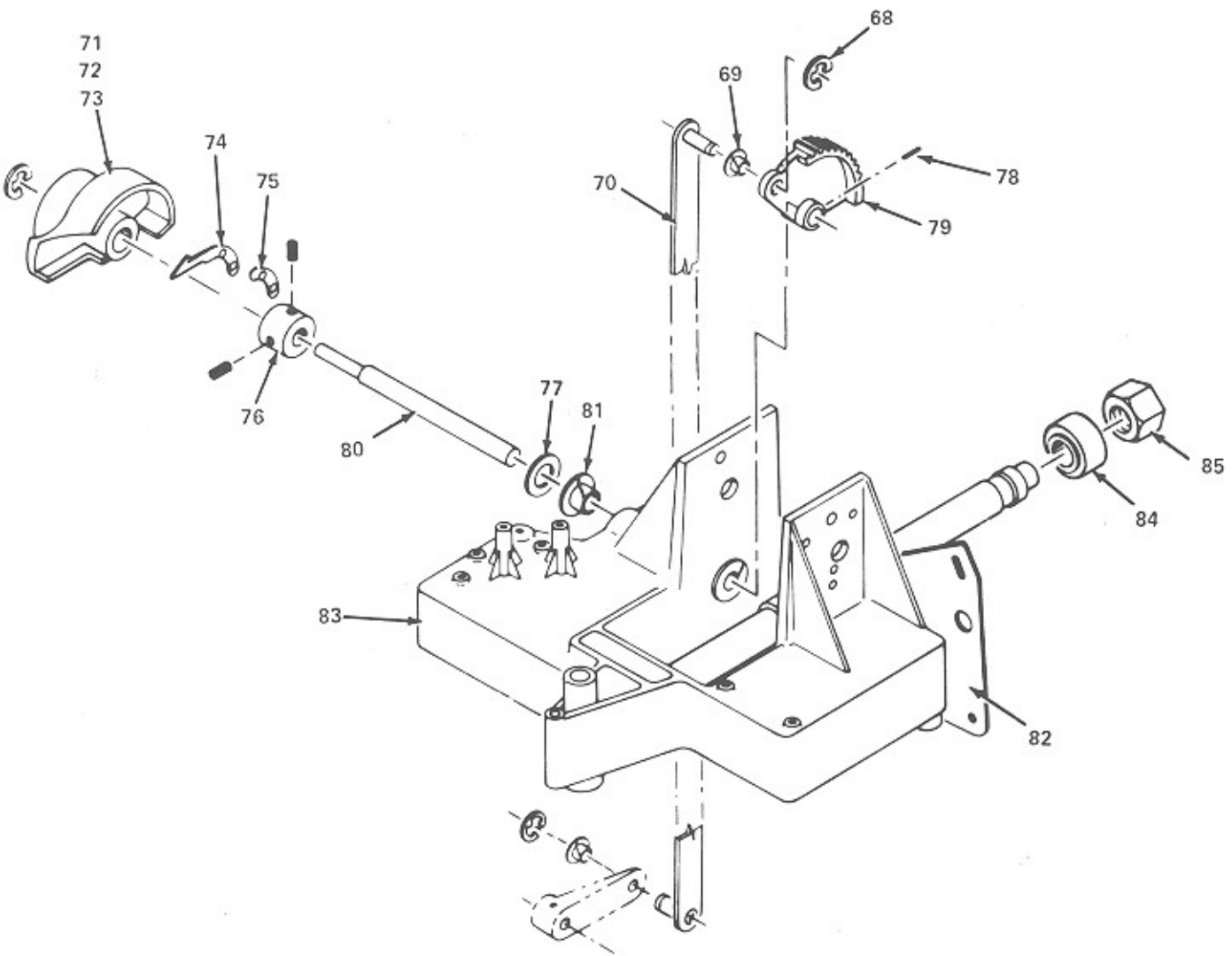


FIG. AND INDEX NO.	ROWE PART NO.	DESCRIPTION	QTY. PER ASSY
9-	6-08700-01	Mechanism Assembly (Continued)	
68	7-01430-04	. Retaining Ring	3
69	7-01460-04	. Bearing	2
70	2-18102-01	. Transfer Link	1
71	2-18134-01	. Tone Arm Cam Assembly	1
72	4-07222-01	.. Tone Arm Cam	1
73	2-18101-10	.. Threaded Insert	2
74	2-18148-01	.. Cam Spring	1
75	2-18149-01	.. Cam Spring Plate	1
76	2-18133-01	. Cam Collar	1
77	7-01225-33	. Bowed Washer	1
78	7-01130-19	. Roll Pin	1
79	4-07205-01	. Sector Gear	1
80	2-18132-01	. Tone Arm Drive Shaft	1
81	7-01460-05	. Bearing	2
82	4-07218-01	. Intermediate Mounting Plate	1
83	4-07211-01	. Base Assembly	1
	6-08707-01	.. Mechanism Base	1
	3-07913-01	.. Magazine Support Shaft	1
	2-10377-01	. Bearing	2
84	2-51569-06	. Shoulder Washer	1
85	7-01301-09	. 9/16 x 18 Jam Nut	1

Tone Arm and Pivot Assembly

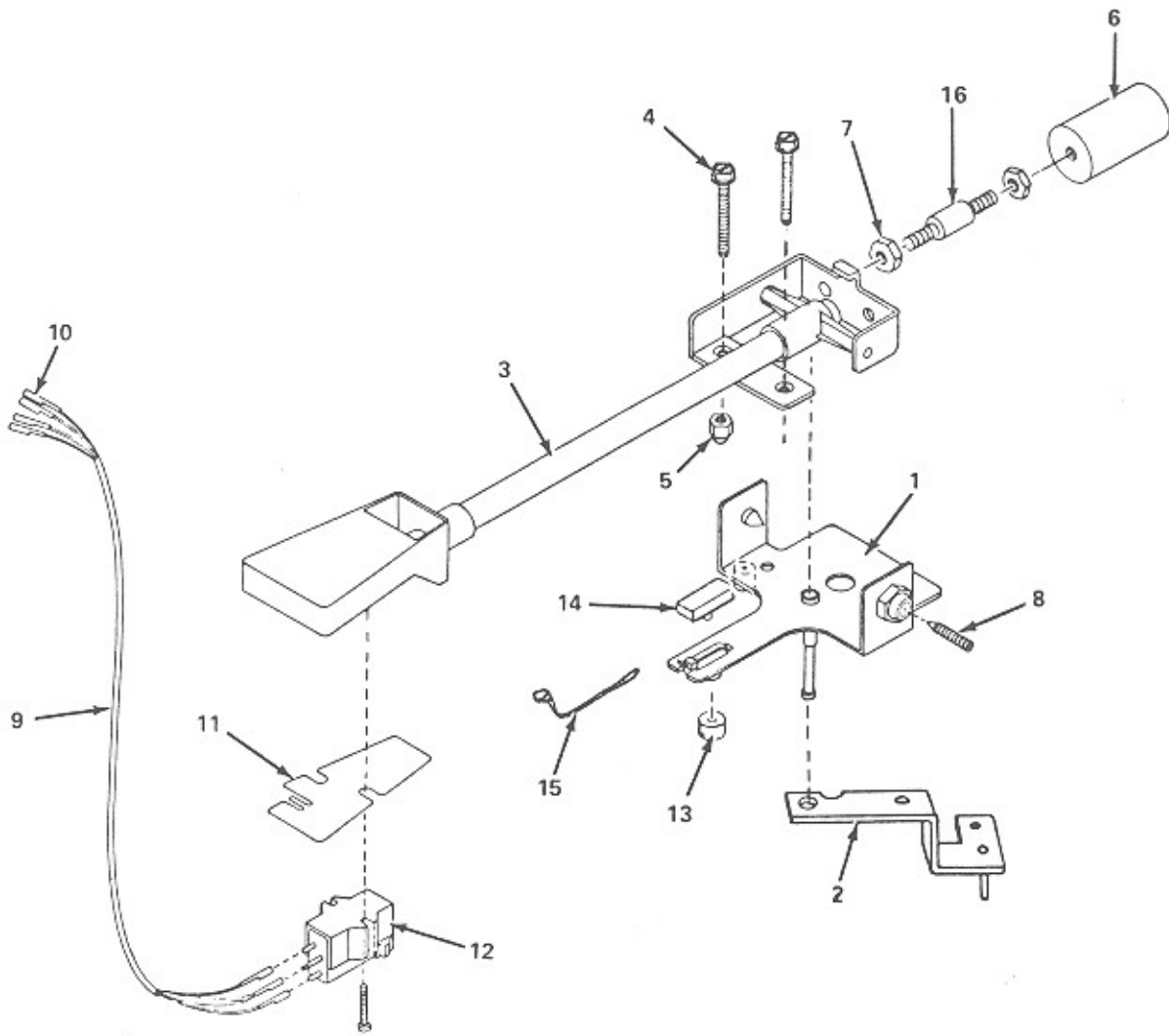


FIG. AND INDEX NO.	ROWE PART NO.	DESCRIPTION	QTY. PER ASSY
10-	4-07217-01	Tone Arm & Pivot Assembly (Fig. 9, Item 5)	
1	2-18141-01	. Bracket & Shaft Assembly	1
2	2-18142-01	. Guide Plate Assembly	1
3	3-07928-01	. Tone Arm & Lever Assembly	1
4	2-65025-01	. Contact Screw	1
5	2-18140-02	. Self Locking Cap Nut	1
6	2-18143-02	. Counter Weight	1
7	7-01355-02	. Locknut	1
8	2-10712-01	. Pivot Screw	1
9	2-18144-01	. Tone Arm Cable Assembly	1
10	7-00927-10	. Pin Receptacle	8
11	2-18130-01	. Tone Arm Shielding Clip	1
12	2-13011-01	. Stereo Phono Cartridge	1
	2-18340-01	. Stylus Assembly	1
13	2-18147-01	. Magnet - Reed	1
14	2-18146-01	. Magnet Clip	1
15	7-08001-01	. Cable Tie	1
16	2-18177-01	. Vibration Isolator	1

Sprag Assembly

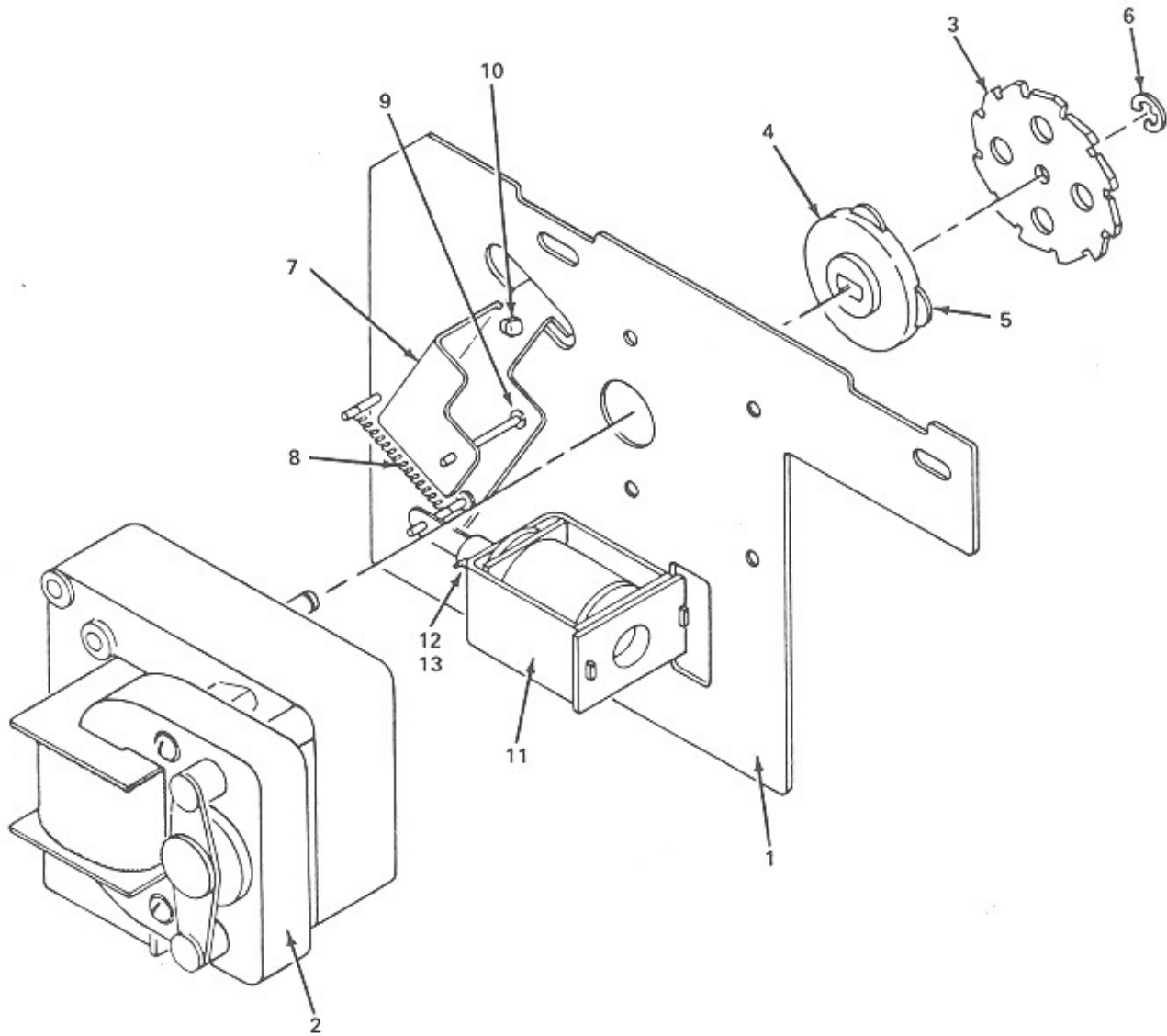


FIG. AND INDEX NO.	ROWE PART NO.	DESCRIPTION	QTY. PER ASSY
11-	4-07219-01	Sprag Assembly (Fig. 9, Item 26)	
1	3-07939-01	. Sprag Plate Assembly	1
2	4-07227-01	. Magazine Motor	1
3	4-07223-01	. Sprag Wheel	1
4	3-07933-01	. Sprag Wheel Hub	1
5	2-18161-01	. Stem Bushing	4
6	7-01430-03	. Retaining Ring	1
7	2-18160-01	. Sprag Lever Assembly	1
8	2-12562-01	. Tension Spring	1
9	7-01430-05	. Retaining Ring	1
10	2-51559-01	. Split Stem Bumper	2
11	2-11505-06	. Solenoid Assembly	1
12	2-10857-01	. Plunger Assembly	1
13	2-10849-02	. Plunger Stop	1

**FIGURE
12**

Cam Switch And Motor Assembly

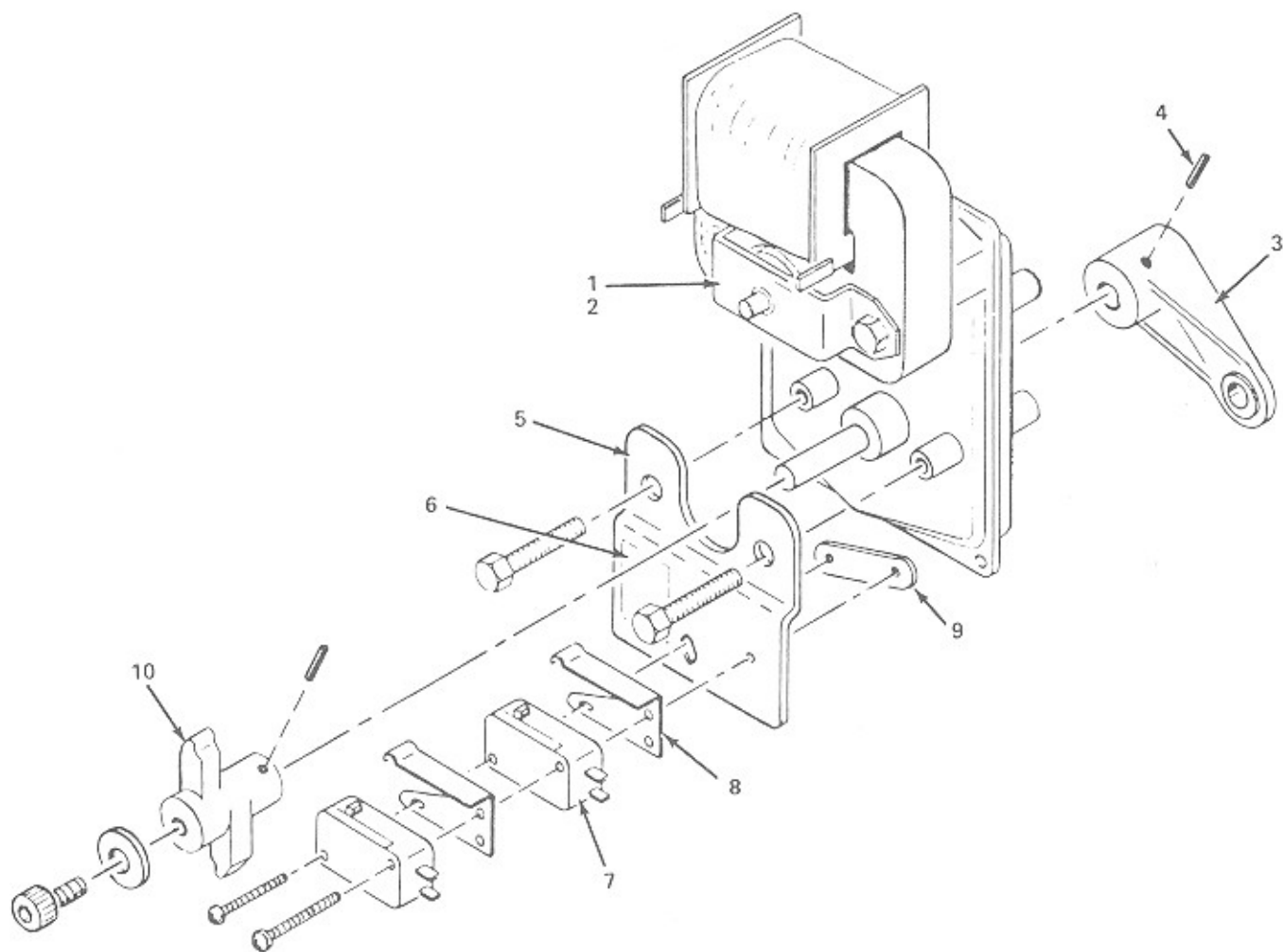


FIG. AND INDEX NO.	ROWE PART NO.	DESCRIPTION	QTY. PER ASSY
12-	4-07208-01	Cam Switch & Motor Assembly (Fig. 9, Item 17)	
1	3-07908-01	. Motor & Crank Assembly	1
2	4-07209-01	. . Cam Motor	1
3	2-18104-01	. . Trunnion Crank	1
4	7-01131-16	. . Roll Pin	2
5	3-07909-01	. Switch Plate	1
6	2-18169-01	. Cam Switch Label	1
7	2-10731-01	. Switch	2
8	2-10829-01	. Switch Actuator	2
9	2-10830-01	. Twin Nut	1
10	3-07934-01	. Switch Cam	1