

# SERVICE MANUAL PARTS CATALOG

# WRA - WRC WALLETTE WALL CONSOLE

## WARRANTY

Rowe extends to the original operator of this equipment the following warranty:

All parts are guaranteed to be free of defects in material and workmanship, and Rowe agrees to repair or replace any part which proves defective, with a similar part without charge, f.o.b. factory, for a period of one year after date of installation.

In the case of parts supplied to Rowe as components, Rowe extends the same warranty period as extended by the original manufacturer.

The above warranty applies provided that all parts of the machine have been serviced properly as directed in the service manual, and provided the alleged defective part, upon examination by Rowe, shall prove to be thus defective.

This warranty will not apply to any machine or any part which has been subjected to any accident, abuse, or misuse.

ROWE INTERNATIONAL, INC., EXTENDS NO WARRANTY, EXPRESS OR IMPLIED, TO PURCHASERS OR USERS OF ITS PRODUCTS EXCEPT AS HEREIN SET FORTH, WHETHER BY OPERATION OF LAW OR OTHERWISE.

REVISED JUNE 1972  
PART NO. 200-12883

PRINTED IN U.S.A.



**Rowe international, inc.**

A SUBSIDIARY OF TRIANGLE INDUSTRIES, INC.  
75 TROY HILLS RD., WHIPPANY, N.J. 07981, TEL. (201) 987-0400, CABLE RD



# TABLE OF CONTENTS

<b>SECTION 1 - DESCRIPTION</b>	<b>Page</b>
Introduction	1
Major Components	1
Accessory Equipment	2
<b>SECTION 2 - INSTALLATION</b>	
Introduction	3
Unpacking Instructions	3
Installation Instructions	3
Price Of Play Programming Procedure	5
Initial Checkout	7
<b>SECTION 3 - ROUTINE SERVICE</b>	
Introduction	7
<b>SECTION 4 - TROUBLESHOOTING</b>	
Introduction	9
Troubleshooting Chart	9
Sequence of Operation	12
WRC Schematic Diagram	19
WRA Schematic Diagram	20
WRA Wiring Diagram	21
WRA/WRC Selector Wiring Diagram	22
<b>SECTION 5 - MAINTENANCE</b>	
Introduction	23
Preventive Mainenance	23
Calibration and Adjustment	23
Repair and Replacement	30
<b>SECTION 6 - PARTS CATALOG</b>	
Introduction	33
Parts Breakdown	33
Ordering Parts	33
Illustrated Parts Breakdown	34
Standard Hardware List	47/48

# SPECIFICATIONS

## GENERAL

HEIGHT . . . . .	13 3/8-inches
WIDTH . . . . .	16 1/2-inches
DEPTH . . . . .	6 1/4-inches
SHIPPING WEIGHT (DOMESTIC) . . . . .	43 pounds
SHIPPING WEIGHT (EXPORT) . . . . .	61 pounds
NET WEIGHT . . . . .	38 pounds
POWER REQUIREMENTS . . . . .	30 VAC, 50/60 cycles 2, 8 Amps Maximum
MAXIMUM SELECTION CAPACITY . . . . .	200 selections

## CREDIT AND PRICING SYSTEM

### COINS ACCEPTED

WRA . . . . .	Nickels, Dimes, Quarters
WRC . . . . .	Nickels, Dimes, Quarters, Half- dollars
TOTAL CREDIT REGISTERED . . . . .	Three Dollars (30 steps)
PRICING . . . . .	See pricing chart

# SECTION 1 - DESCRIPTION

## INTRODUCTION

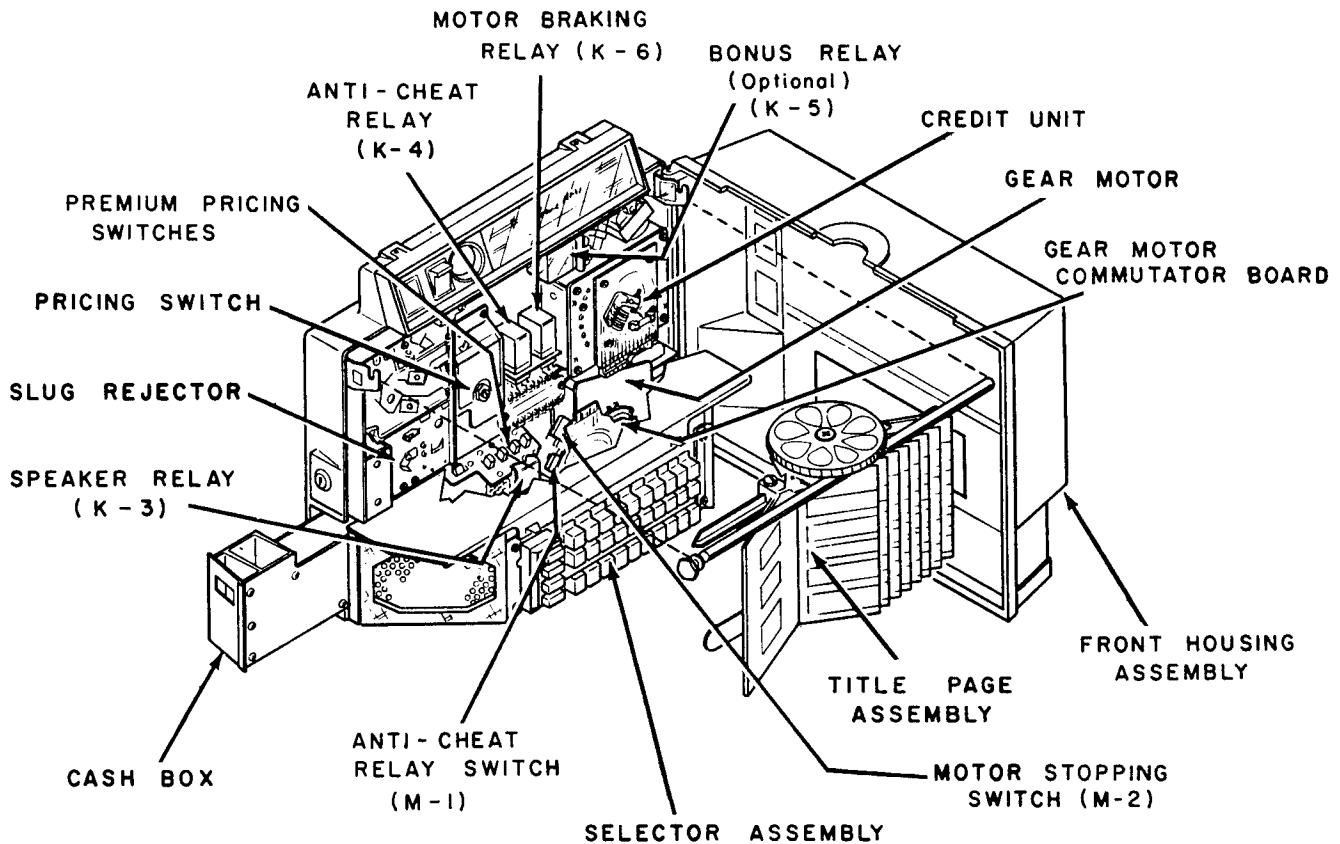
The Rowe Wallette Wallbox is a remote control unit for operating Rowe/AMI phonographs, Hide-aways and competitor phonographs. The Wallette provides complete control of the phonograph selection system.

The low profile and compact size make both selection and service easier. Pushbuttons control volume and illuminate the waitress call-to-service light. A single knob smoothly turns easy-to-read title

pages. Twelve display panels hold miniature album covers, or can advertise food and drink specials. The Stereo Round\* speakers are placed at a 30 degree angle for good channel separations.

## MAJOR COMPONENTS

The Wallette is built so that each of its major components can be easily repaired or replaced. Identification and location of major components are shown below.



\* U. S. Patent No. 3,153,120

## ACCESSORY EQUIPMENT

Both a stepper and a power supply are required for Wallette operation. The stepper and power supply used depends on the phonograph model and the number of wallboxes in the installation. A stepper can handle an unlimited number of wallboxes, while a power supply will supply six wallboxes. An addi-

tional power supply is required for each additional 6 wallboxes. These components must be ordered separately and installed in the phonograph.

Table 1 below gives the required accessory equipment for wallbox operation. Table 2 lists optional accessory equipment.

**Table 1** Accessory Equipment Needed

PHONOGRAPH	STEPPER	PRIMARY POWER SUPPLY	ACCESSORY EQUIPMENT NEEDED
JAL JEL JBM JAN JAO All MM Series	CGA	401-05627	200-12189 Harness needed for each additional six Wallettes.
CMM-1 CD-II	CGF	401-05627	401-02432 Transformer Accessory Package  301-06057 Power Supply Adapter Assembly

**Table 2** Optional Accessory Equipment

PART NO.	DESCRIPTION	PURPOSE
201-12796	Bar Mount Assembly	Sturdy steel bracket for mounting Wallette on bars or counter tops. Brown finish matches Wallette cabinet.
201-12751	Bonus Relay (WRA only)	Required for certain pricing combinations. Plugs into existing socket.
201-65832	Pushbutton Kit	Converts Wallette for 160 selections.
202-65832	Pushbutton Kit	Converts Wallette for 100 selections.
201-12890	Phonovue Wallette Title Kit	Adapts Wallette title pages for Phonovue operation.
Spec. 5054	12-Conductor Cable	For connecting Wallette to phonograph or Hideaway.
201-65490	Personalization Kit	Consists of letters and numbers for placing a name or message on Wallette personalization strip.
401-65027	Seeburg Stepper Adapter Assembly	Adapts Wallette to operate with Seeburg stepper.

## SECTION 2 - INSTALLATION

### INTRODUCTION

This section contains instructions for unpacking the Wallette and installing it on location. The Wallette is shipped with all components in place, ready for installation. Installation is quickly and easily accomplished. No special tools are required.

### UNPACKING INSTRUCTIONS

Open the shipping carton carefully to prevent the Wallette from being scratched or damaged. Inspect the inside and outside of the cabinet for evidence of damage. If damage is evident, notify the transporter immediately.

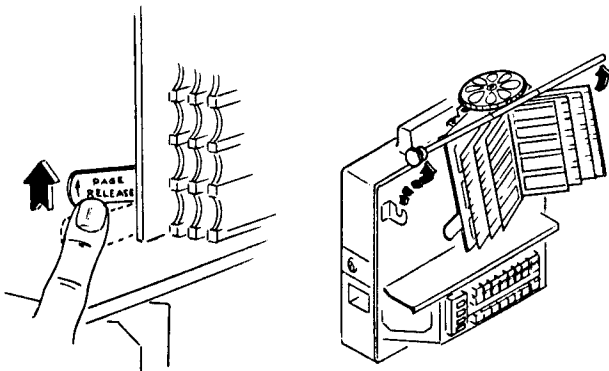
### INSTALLATION INSTRUCTIONS

The Wallette should be situated within easy reach of the customer. It can be mounted on a wall or on a counter. Bar mount assembly 201-12796 is required for counter installation.

#### Wall Installation

Install the Wallette on a wall as follows:

1. Check that Wallette front door assembly can be fully opened for service and that the cash box can be removed easily.
2. Check that wall surface is even (free from pieces of plaster or masonry).
3. If wall surface is uneven, cut a plywood panel to the shape of the Wallette. Attach panel to wall using anchor bolts.
4. Remove title page assembly and slug rejector

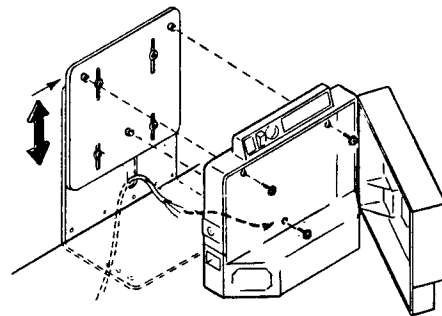


5. Drill mounting holes in wall or plywood panel. Use Wallette housing as a template.
6. Thread Wallette cable into wall.
7. Mount Wallette to wall or plywood panel using screws.
8. Replace slug rejector and title page assembly.

#### Counter Installation

Install the Wallette on a counter as follows:

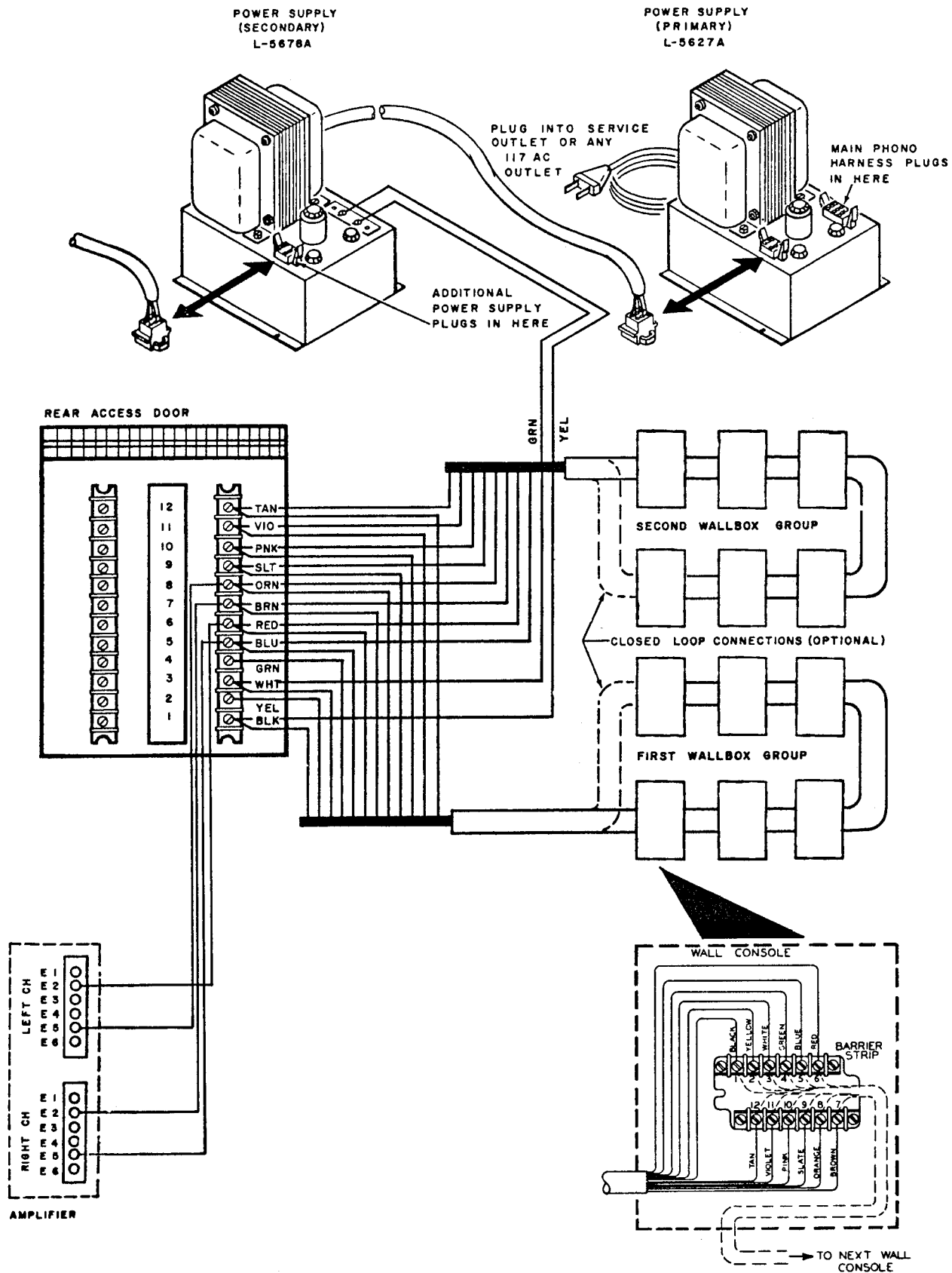
1. Check that Wallette front door assembly can be fully opened for service and that the cash box can be removed easily.
2. Attach bar mount assembly to underside of counter or table top.



3. Loosen four screws securing bar mount vertical mounting plate. Set plate to required height. Tighten screws.
4. Remove title page assembly and slug rejector.
5. Thread cables into wall console.
6. Mount Wallette on bar mount vertical mounting plate using three screws (supplied).
7. Replace slug rejector and title page assembly.

#### Electrical Connections

Connect the Wallette to the phonograph as shown on page 4. Use 12-wire cable, Rowe/AMI specification 5054.



Electrical Connections

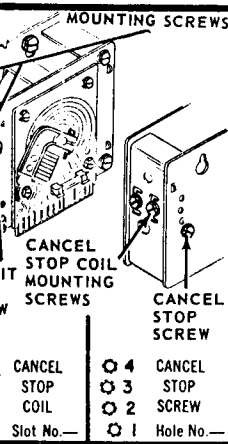


**PRICE OF PLAY PROGRAMMING PROCEDURE - WR SERIES WALL CONSOLE**

SELECT PROGRAM PANEL When changing panel, hold glass in place while removing casting. When replacing casting, insert studs at top before driving screws.		GLASS WINDOW PROGRAM PANEL		ADJUST CREDIT UNIT Credit Unit can be removed by loosening 3 mounting screws and lifting free of keyhole slots. Position stop coils and stop screws as indicated.		NICKEL DIVERTER IN WRA, WRC FREE DIME ACCEPTOR BLOCKED NICKEL FREE NICKEL BLOCKED		50¢ BONUS RELAY BONUS RELAY SWITCH SET CREDIT PRICE SWITCH AS INDICATED WRA, WRB WRC		NICKELS AND DIMES REJECTED? SEE SUPPLEMENT SHEET		200-66390, 7 QUARTER CREDIT WHEEL REQUIRED?		MOVE WIRES ON WRB COIN SWITCHES STANDARD BLUE WHITE SLATE MODIFIED BLUE WHITE SLATE	
WRA PROGRAM PANEL	WRB PROGRAM PANEL	WRC PROGRAM PANEL	CASTING	CREDIT STOP COIL MOUNTING STOP SCREWS O 9 O 8 O 7 O 6 O 4 O 3 O 2 No. —	CREDIT STOP COIL MOUNTING STOP SCREWS O 4 O 3 O 2 No. —	CANCEL STOP SCREWS O 4 O 3 O 2 O 1 No. —	FREE	WRA, WRB	WRC	NO	NO	NO	NO	NO	NO
STANDARD 1 PLAY DIME OR 3 PLAYS QUARTER SELECTIONS 2 PLAYS QUARTER ALBUM 1 PLAY DIME OR 2 NICKELS SELECTIONS 3 PLAYS QUARTER H-5724A	STANDARD 1 PLAY DIME OR 3 PLAYS QUARTER SELECTIONS 2 PLAYS QUARTER ALBUM 1 PLAY DIME OR 2 NICKELS SELECTIONS 3 PLAYS QUARTER H-5724B	STANDARD 1 PLAY DIME OR 3 PLAYS QUARTER SELECTIONS 2 PLAYS QUARTER ALBUM 1 PLAY DIME OR 2 NICKELS SELECTIONS 3 PLAYS QUARTER H-5724C	CASTING	3	7	3	FREE	1	1 & 6	NO	NO	NO	NO	NO	NO
STANDARD 1 PLAY DIME OR 3 PLAYS QUARTER SELECTIONS 2 PLAYS QUARTER ALBUM 1 PLAY DIME OR 2 NICKELS SELECTIONS 3 PLAYS QUARTER H-65066	STANDARD 1 PLAY DIME OR 3 PLAYS QUARTER SELECTIONS 2 PLAYS QUARTER ALBUM 1 PLAY DIME OR 2 NICKELS SELECTIONS 3 PLAYS QUARTER H-65067	STANDARD 1 PLAY DIME OR 3 PLAYS QUARTER SELECTIONS 2 PLAYS QUARTER ALBUM 1 PLAY DIME OR 2 NICKELS SELECTIONS 3 PLAYS QUARTER H-65068	CASTING	3	6	3	FREE	1	1 & 6	NO	NO	NO	NO	NO	NO
STANDARD 1 PLAY DIME OR 3 PLAYS QUARTER SELECTIONS 2 PLAYS QUARTER ALBUM 1 PLAY DIME OR 2 NICKELS SELECTIONS 3 PLAYS QUARTER H-65074	STANDARD 1 PLAY DIME OR 3 PLAYS QUARTER SELECTIONS 2 PLAYS QUARTER ALBUM 1 PLAY DIME OR 2 NICKELS SELECTIONS 3 PLAYS QUARTER H-65075	STANDARD 1 PLAY DIME OR 3 PLAYS QUARTER SELECTIONS 2 PLAYS QUARTER ALBUM 1 PLAY DIME OR 2 NICKELS SELECTIONS 3 PLAYS QUARTER H-65076	CASTING	3	5	1	FREE	1	1 & 7	YES	NO	NO	NO	NO	NO
STANDARD 1 PLAY DIME OR 3 PLAYS QUARTER SELECTIONS 2 PLAYS QUARTER ALBUM 1 PLAY DIME OR 2 NICKELS SELECTIONS 3 PLAYS QUARTER H-65087	STANDARD 1 PLAY DIME OR 3 PLAYS QUARTER SELECTIONS 2 PLAYS QUARTER ALBUM 1 PLAY DIME OR 2 NICKELS SELECTIONS 3 PLAYS QUARTER H-65088	STANDARD 1 PLAY DIME OR 3 PLAYS QUARTER SELECTIONS 2 PLAYS QUARTER ALBUM 1 PLAY DIME OR 2 NICKELS SELECTIONS 3 PLAYS QUARTER H-65089	CASTING	4	9	3	FREE	1	1 & 6	NO	NO	NO	NO	NO	NO
STANDARD 1 PLAY DIME OR 3 PLAYS QUARTER SELECTIONS 2 PLAYS QUARTER ALBUM 1 PLAY DIME OR 2 NICKELS SELECTIONS 3 PLAYS QUARTER H-65206	STANDARD 1 PLAY DIME OR 3 PLAYS QUARTER SELECTIONS 2 PLAYS QUARTER ALBUM 1 PLAY DIME OR 2 NICKELS SELECTIONS 3 PLAYS QUARTER H-65207	STANDARD 1 PLAY DIME OR 3 PLAYS QUARTER SELECTIONS 2 PLAYS QUARTER ALBUM 1 PLAY DIME OR 2 NICKELS SELECTIONS 3 PLAYS QUARTER H-65208	CASTING	3	5	2	FREE	1	5 & 7	YES	NO	NO	NO	NO	NO
STANDARD 1 PLAY DIME OR 3 PLAYS QUARTER SELECTIONS 2 PLAYS QUARTER ALBUM 1 PLAY DIME OR 2 NICKELS SELECTIONS 3 PLAYS QUARTER H-65209	STANDARD 1 PLAY DIME OR 3 PLAYS QUARTER SELECTIONS 2 PLAYS QUARTER ALBUM 1 PLAY DIME OR 2 NICKELS SELECTIONS 3 PLAYS QUARTER H-65210	STANDARD 1 PLAY DIME OR 3 PLAYS QUARTER SELECTIONS 2 PLAYS QUARTER ALBUM 1 PLAY DIME OR 2 NICKELS SELECTIONS 3 PLAYS QUARTER H-65211	CASTING	2	5	2	BLOCKED	2	5 & 6	YES	NO	NO	NO	NO	NO
STANDARD 1 PLAY DIME OR 3 PLAYS QUARTER SELECTIONS 2 PLAYS QUARTER ALBUM 1 PLAY DIME OR 2 NICKELS SELECTIONS 3 PLAYS QUARTER H-65212	STANDARD 1 PLAY DIME OR 3 PLAYS QUARTER SELECTIONS 2 PLAYS QUARTER ALBUM 1 PLAY DIME OR 2 NICKELS SELECTIONS 3 PLAYS QUARTER H-65213	STANDARD 1 PLAY DIME OR 3 PLAYS QUARTER SELECTIONS 2 PLAYS QUARTER ALBUM 1 PLAY DIME OR 2 NICKELS SELECTIONS 3 PLAYS QUARTER H-65214	CASTING	2	6	2	BLOCKED	2	5 & 8	YES	NO	NO	NO	NO	NO
STANDARD 1 PLAY DIME OR 3 PLAYS QUARTER SELECTIONS 2 PLAYS QUARTER ALBUM 1 PLAY DIME OR 2 NICKELS SELECTIONS 3 PLAYS QUARTER H-65215	STANDARD 1 PLAY DIME OR 3 PLAYS QUARTER SELECTIONS 2 PLAYS QUARTER ALBUM 1 PLAY DIME OR 2 NICKELS SELECTIONS 3 PLAYS QUARTER H-65216	STANDARD 1 PLAY DIME OR 3 PLAYS QUARTER SELECTIONS 2 PLAYS QUARTER ALBUM 1 PLAY DIME OR 2 NICKELS SELECTIONS 3 PLAYS QUARTER H-65217	CASTING	3	7	1	FREE	1	1 & 6	NO	NO	NO	NO	NO	NO
STANDARD 1 PLAY DIME OR 3 PLAYS QUARTER SELECTIONS 2 PLAYS QUARTER ALBUM 1 PLAY DIME OR 2 NICKELS SELECTIONS 3 PLAYS QUARTER H-65218	STANDARD 1 PLAY DIME OR 3 PLAYS QUARTER SELECTIONS 2 PLAYS QUARTER ALBUM 1 PLAY DIME OR 2 NICKELS SELECTIONS 3 PLAYS QUARTER H-65219	STANDARD 1 PLAY DIME OR 3 PLAYS QUARTER SELECTIONS 2 PLAYS QUARTER ALBUM 1 PLAY DIME OR 2 NICKELS SELECTIONS 3 PLAYS QUARTER H-65220	CASTING	2	6	3	BLOCKED	3	4 & 8	YES	NO	NO	NO	NO	NO
STANDARD 1 PLAY DIME OR 3 PLAYS QUARTER SELECTIONS 2 PLAYS QUARTER ALBUM 1 PLAY DIME OR 2 NICKELS SELECTIONS 3 PLAYS QUARTER H-65221	STANDARD 1 PLAY DIME OR 3 PLAYS QUARTER SELECTIONS 2 PLAYS QUARTER ALBUM 1 PLAY DIME OR 2 NICKELS SELECTIONS 3 PLAYS QUARTER H-65222	STANDARD 1 PLAY DIME OR 3 PLAYS QUARTER SELECTIONS 2 PLAYS QUARTER ALBUM 1 PLAY DIME OR 2 NICKELS SELECTIONS 3 PLAYS QUARTER H-65223	CASTING	2	5	2	FREE OR BLOCKED	2	5 & 6	NO	YES	NO	NO	YES	YES
STANDARD 1 PLAY DIME OR 3 PLAYS QUARTER SELECTIONS 2 PLAYS QUARTER ALBUM 1 PLAY DIME OR 2 NICKELS SELECTIONS 3 PLAYS QUARTER H-65224	STANDARD 1 PLAY DIME OR 3 PLAYS QUARTER SELECTIONS 2 PLAYS QUARTER ALBUM 1 PLAY DIME OR 2 NICKELS SELECTIONS 3 PLAYS QUARTER H-65225	STANDARD 1 PLAY DIME OR 3 PLAYS QUARTER SELECTIONS 2 PLAYS QUARTER ALBUM 1 PLAY DIME OR 2 NICKELS SELECTIONS 3 PLAYS QUARTER H-65226	CASTING	3	6	2	FREE OR BLOCKED	2	5 & 6	NO	YES	NO	YES	YES	YES

<p><b>SELECT PROGRAM PANEL</b> When changing panel, hold glass in place while removing casting. When replacing casting, insert studs at top before driving screws.</p>			<p><b>ADJUST CREDIT UNIT</b> Credit Unit can be removed by loosening 3 mounting screws and lifting free of keyhole slots. Position stop coils and stop screws as indicated.</p>			
<p><b>WRA PROGRAM PANEL</b></p>	<p><b>WRB PROGRAM PANEL</b></p>	<p><b>WRC PROGRAM PANEL</b></p>	<p><b>CREDIT COIL Slot No.—</b></p>	<p><b>CREDIT STOP SCREW Hole No.—</b></p>	<p><b>CANCEL STOP COIL Slot No.—</b></p>	<p><b>CANCEL STOP SCREW Hole No.—</b></p>
<p>STANDARD SELECTIONS 1 PLAY DIME OR 2 NICKELS 3 PLAYS QUARTER</p> <p>ALBUM SELECTIONS 1 PLAY QUARTER</p> <p>H-5724A</p>	<p>STANDARD SELECTIONS 1 PLAY DIME 3 PLAYS QUARTER 7 PLAYS HALF DOLLAR</p> <p>ALBUM SELECTIONS 1 PLAY QUARTER 2 PLAYS (PLUS 1 STANDARD PLAY) HALF DOLLAR</p> <p>H-5724B</p>	<p>STANDARD SELECTIONS 1 PLAY DIME OR 2 NICKELS 3 PLAYS QUARTER 7 PLAYS HALF DOLLAR</p> <p>ALBUM SELECTIONS 1 PLAY QUARTER 2 PLAYS (PLUS 1 STANDARD PLAY) HALF DOLLAR</p> <p>H-5724C</p>	3	7	1	3
<p>STANDARD SELECTIONS 1 PLAY DIME OR 2 NICKELS 5 PLAYS QUARTER</p> <p>H-5724A</p>	<p>STANDARD SELECTIONS 1 PLAY DIME 5 PLAYS QUARTER 6 PLAYS HALF DOLLAR</p> <p>ALBUM SELECTIONS 1 PLAY QUARTER 2 PLAYS HALF DOLLAR</p> <p>H-65066</p>	<p>STANDARD SELECTIONS 1 PLAY DIME OR 2 NICKELS 3 PLAYS QUARTER 6 PLAYS HALF DOLLAR</p> <p>ALBUM SELECTIONS 1 PLAY QUARTER 2 PLAYS HALF DOLLAR</p> <p>H-65210</p>	3	6	1	3
<p>1 PLAY DIME OR 2 NICKELS 5 PLAYS QUARTER</p> <p>H-65062</p>	<p>1 PLAY DIME 5 PLAYS QUARTER 11 PLAYS HALF DOLLAR</p> <p>H-65074</p>	<p>1 PLAY DIME OR 2 NICKELS 5 PLAYS QUARTER 11 PLAYS HALF DOLLAR</p> <p>H-65205</p>	3	5	1	1
<p>STANDARD SELECTIONS 1 PLAY DIME OR TWO NICKELS 4 PLAYS QUARTER</p> <p>ALBUM SELECTIONS 1 PLAY (PLUS 1 STANDARD PLAY) QUARTER</p> <p>H-65057</p>	<p>STANDARD SELECTIONS 1 PLAY DIME 4 PLAYS QUARTER 8 PLAYS HALF DOLLAR</p> <p>ALBUM SELECTIONS 1 PLAY (PLUS 1 STANDARD PLAY) QUARTER 3 PLAYS HALF DOLLAR</p> <p>H-65068</p>	<p>STANDARD SELECTIONS 1 PLAY DIME OR 2 NICKELS 4 PLAYS QUARTER 9 PLAYS HALF DOLLAR</p> <p>ALBUM SELECTIONS 1 PLAY QUARTER 3 PLAYS HALF DOLLAR</p> <p>H-65204</p>	4	9	1	3
		<p>STANDARD SELECTIONS 1 PLAY DIME OR 2 NICKELS 5 PLAYS QUARTER 11 PLAYS HALF DOLLAR</p> <p>ALBUM SELECTIONS 1 PLAY QUARTER 2 PLAYS QUARTER PLUS ONE STANDARD PLUS ONE STANDARD 6 PLAYS HALF DOLLAR</p> <p>H-65206</p>	3	5	1	2
		<p>STANDARD SELECTIONS 1 PLAY NICKEL 2 PLAYS DIME 5 PLAYS QUARTER 11 PLAYS HALF DOLLAR</p> <p>ALBUM SELECTIONS 1 PLAY DIME OR 2 NICKELS 2 PLAYS QUARTER PLUS ONE STANDARD 6 PLAYS HALF DOLLAR</p> <p>H-65207</p>	2	5	1	2
<p>STANDARD SELECTIONS 1 PLAY NICKEL 2 PLAYS DIME OR TWO NICKELS 6 PLAYS QUARTER</p> <p>ALBUM SELECTIONS 1 PLAY DIME OR TWO NICKELS 3 PLAYS QUARTER</p> <p>H-65059</p>	<p>STANDARD SELECTIONS 3 PLAYS DIME 6 PLAYS QUARTER 13 PLAYS HALF DOLLAR</p> <p>ALBUM SELECTIONS 1 PLAY DIME 3 PLAYS QUARTER 7 PLAYS HALF DOLLAR</p> <p>H-65071</p>	<p>STANDARD SELECTIONS 1 PLAY NICKEL 2 PLAYS DIME OR 2 NICKELS 6 PLAYS QUARTER 13 PLAYS HALF DOLLAR</p> <p>ALBUM SELECTIONS 1 PLAY DIME OR 2 NICKELS 3 PLAYS QUARTER 7 PLAYS HALF DOLLAR</p> <p>H-65208</p>	2	6	1	2
<p>1 PLAY DIME OR 2 NICKELS 3 PLAYS QUARTER</p> <p>H-65056</p>	<p>1 PLAY DIME 3 PLAYS QUARTER 7 PLAYS HALF DOLLAR</p> <p>H-65065</p>	<p>1 PLAY DIME 3 PLAYS QUARTER 7 PLAYS HALF DOLLAR</p> <p>H-65065</p>	3	7	1	1
		<p>STANDARD SELECTIONS 1 PLAY 15c 2 PLAYS QUARTER 5 PLAYS HALF DOLLAR</p> <p>ALBUM SELECTIONS 1 PLAY QUARTER 3 PLAYS HALF DOLLAR</p> <p>H-65211</p>	2	6	3	6
<p>STANDARD SELECTIONS 2 PLAYS QUARTER</p> <p>ALBUM SELECTIONS 1 PLAY QUARTER</p> <p>H-65266</p>	<p>STANDARD SELECTIONS 2 PLAYS QUARTER 5 PLAYS HALF DOLLAR</p> <p>ALBUM SELECTIONS 1 PLAY QUARTER 2 PLAYS (PLUS 1 STANDARD PLAY) HALF DOLLAR</p> <p>H-65232</p>	<p>STANDARD SELECTIONS 2 PLAYS QUARTER 5 PLAYS HALF DOLLAR</p> <p>ALBUM SELECTIONS 1 PLAY QUARTER 2 PLAYS (PLUS 1 STANDARD PLAY) HALF DOLLAR</p> <p>H-65232</p>	2	5	1	2
	<p>STANDARD SELECTIONS 2 PLAYS QUARTER 5 PLAYS HALF DOLLAR OR 2 QUARTERS</p> <p>ALBUM SELECTIONS 1 PLAY QUARTER 2 PLAYS (PLUS 1 STANDARD PLAY) HALF DOLLAR OR 2 QUARTERS</p> <p>H-65257</p>	<p>STANDARD SELECTIONS 2 PLAYS QUARTER 5 PLAYS HALF DOLLAR OR 2 QUARTERS</p> <p>ALBUM SELECTIONS 1 PLAY QUARTER 2 PLAYS (PLUS 1 STANDARD PLAY) HALF DOLLAR OR 2 QUARTERS</p> <p>H-65257</p>	3	6	1	2

# CE OF PLAY PROGRAMMING PROCEDURE - WR SERIES WALL CONSOLE



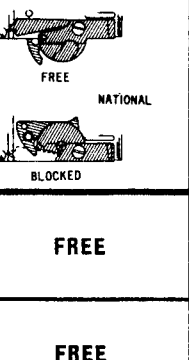
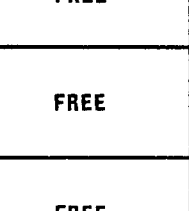
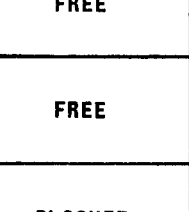
 <p>MOUNTING SCREWS</p> <p>CANCEL STOP COIL MOUNTING SCREWS</p> <p>CANCEL STOP COIL</p> <p>Slot No. —</p> <p>○ 4 CANCEL STOP SCREW</p> <p>○ 3 CANCEL STOP SCREW</p> <p>○ 2 CANCEL STOP SCREW</p> <p>○ 1 Hole No. —</p>		<p>NICKEL DIVERTER IN WRA, WRC</p> <p>FREE COIN ACCEPTORS</p> <p>BLOCKED</p> <p>FREE NATIONAL</p> <p>BLOCKED</p>	<p>50¢ BONUS RELAY</p> <p>BONUS RELAY SWITCH</p> <p>SET CREDIT PRICE SWITCH AS INDICATED</p> <p>WRA, WRB</p> <p>WRC</p>	<p>BONUS RELAY IN WRB, WRC</p>	<p>NICKELS AND DIMES REJECTED?</p> <p>SEE SUPPLEMENT SHEET</p>	<p>200-66390, 2 QUARTER CREDIT WHEEL REQUIRED?</p>	<p>MOVE WIRES ON WRB COIN SWITCHES</p> <p>STANDARD</p> <p>BLUE SLATE</p> <p>WHITE SLATE</p> <p>MODIFIED</p> <p>BLUE SLATE</p> <p>WHITE SLATE</p>	
1	3	FREE	1	1 & 6	NO	NO	NO	NO
1	3	FREE	1	1 & 6	NO	NO	NO	NO
1	1	FREE	4	1 & 7	YES	NO	NO	NO
1	3	FREE	1	1 & 6	NO	NO	NO	NO
1	2	FREE		5 & 7	YES	NO	NO	NO
1	2	BLOCKED	2	5 & 6	YES	NO	NO	NO
1	2	BLOCKED	2	5 & 8	YES	NO	NO	NO
1	1	FREE	1	1 & 6	NO	NO	NO	NO
3	6	BLOCKED		4 & 8	YES	NO	NO	
1	2	FREE OR BLOCKED	2	5 & 6	NO	YES	NO	YES
1	2	FREE OR BLOCKED	2	5 & 6	NO	YES	YES	YES

SELECT PROGRAM PANEL When changing panel, hold glass in place while removing casting. When replacing casting, insert studs at top before driving screws.		GLASS WINDOW PROGRAM PANEL		ADJUST CREDIT UNIT Credit Unit can be removed by loosening 3 mounting screws and lifting free of keyhole slots. Position stop coils and stop screws as indicated.		NICKEL DIVERTER IN WRA, WRC		50¢ BONUS RELAY SET CREDIT PRICE SWITCH AS INDICATED		NICKELS AND DIMES REJECTED? SEE SUPPLEMENT SHEET		MOVE WIRES ON WRB COIN SWITCHES	
WRA PROGRAM PANEL	WRB PROGRAM PANEL	WRC PROGRAM PANEL	CREDIT STOP COIL No. Slot	CREDIT STOP COIL No. Slot	CANCEL STOP COIL No. Slot	CANCEL STOP COIL No. Slot	FREE OR BLOCKED	WRA, WRB	WRC	BONUS RELAY IN WRB, WRC	YES	NO	STANDARD BLUE SLATE WHITE SLATE MODIFIED BLUE SLATE WHITE SLATE
1 PLAY QUARTER H-65271	2 PLAY QUARTER 4 PLAY HALF DOLLAR H-65259	2 PLAY QUARTER 4 PLAY HALF DOLLAR H-65259	3	6	1	1	FREE OR BLOCKED	2	5 & 6	NO	YES	YES	STANDARD BLUE SLATE WHITE SLATE
STANDARD 1 PLAY QUARTER SELECTIONS 1 PLAY QUARTER ALBUM 1 PLAY QUARTER SELECTIONS 2 PLAY QUARTER H-65258	STANDARD 2 PLAY QUARTER SELECTIONS 1 PLAY QUARTER ALBUM 1 PLAY QUARTER SELECTIONS 2 PLAY QUARTER H-65258	STANDARD 2 PLAY QUARTER SELECTIONS 1 PLAY QUARTER ALBUM 1 PLAY QUARTER SELECTIONS 2 PLAY QUARTER H-65258	4	8	1	2	FREE OR BLOCKED	2	5 & 6	NO	YES*	YES	STANDARD BLUE SLATE WHITE SLATE
STANDARD 1 PLAY QUARTER SELECTIONS 1 PLAY QUARTER ALBUM 1 PLAY QUARTER SELECTIONS 2 PLAY QUARTER H-65258	2 PLAY QUARTER 4 PLAY HALF DOLLAR H-65263	2 PLAY QUARTER 4 PLAY HALF DOLLAR H-65263	4	8	1	1	FREE OR BLOCKED	2	5 & 6	NO	YES*	YES	STANDARD BLUE SLATE WHITE SLATE
STANDARD 1 PLAY QUARTER SELECTIONS 1 PLAY QUARTER ALBUM 1 PLAY QUARTER SELECTIONS 2 PLAY QUARTER H-65258	3 PLAY QUARTER 6 PLAY HALF DOLLAR H-65272	3 PLAY QUARTER 6 PLAY HALF DOLLAR H-65272	3	6	1	1	FREE OR BLOCKED	2	5 & 6	NO	YES	NO	STANDARD BLUE SLATE WHITE SLATE
STANDARD 1 PLAY QUARTER SELECTIONS 1 PLAY QUARTER ALBUM 1 PLAY QUARTER SELECTIONS 2 PLAY QUARTER H-65258	2 PLAY QUARTER 4 PLAY HALF DOLLAR H-65273	2 PLAY QUARTER 4 PLAY HALF DOLLAR H-65273	2	5	1	1	FREE OR BLOCKED	2	5 & 6	NO	YES	NO	STANDARD BLUE SLATE WHITE SLATE
STANDARD 1 PLAY QUARTER SELECTIONS 1 PLAY QUARTER ALBUM 1 PLAY QUARTER SELECTIONS 2 PLAY QUARTER H-65258	STANDARD 1 PLAY QUARTER SELECTIONS 1 PLAY QUARTER ALBUM 1 PLAY QUARTER SELECTIONS 2 PLAY QUARTER H-65258	STANDARD 1 PLAY QUARTER SELECTIONS 1 PLAY QUARTER ALBUM 1 PLAY QUARTER SELECTIONS 2 PLAY QUARTER H-65258	2	6	2	3	BLOCKED	3	2 & 8	YES	NO	NO	STANDARD BLUE SLATE WHITE SLATE
STANDARD 1 PLAY QUARTER SELECTIONS 1 PLAY QUARTER ALBUM 1 PLAY QUARTER SELECTIONS 2 PLAY QUARTER H-65258	STANDARD 1 PLAY QUARTER SELECTIONS 1 PLAY QUARTER ALBUM 1 PLAY QUARTER SELECTIONS 2 PLAY QUARTER H-65258	STANDARD 1 PLAY QUARTER SELECTIONS 1 PLAY QUARTER ALBUM 1 PLAY QUARTER SELECTIONS 2 PLAY QUARTER H-65258	3	3	1	2	FREE OR BLOCKED	2	5 & 6	NO	YES	YES	STANDARD BLUE SLATE WHITE SLATE
QUARTER ..... 2 PLAYS 2 QUARTERS ..... 4 PLAYS 4 QUARTERS ..... 8 PLAYS H-65269	QUARTER ..... 2 PLAYS 2 QUARTERS ..... 4 PLAYS 4 QUARTERS ..... 8 PLAYS H-65269	QUARTER ..... 2 PLAYS 2 QUARTERS ..... 4 PLAYS 4 QUARTERS ..... 8 PLAYS H-65269	3	3	1	1	FREE OR BLOCKED	2	5 & 6	NO	YES	YES	STANDARD BLUE SLATE WHITE SLATE
2 PLAY QUARTER 4 PLAY HALF DOLLAR H-65258	2 PLAY QUARTER 4 PLAY HALF DOLLAR H-65258	2 PLAY QUARTER 4 PLAY HALF DOLLAR H-65258	3	3	1	1	FREE OR BLOCKED	2	5 & 6	NO	YES	YES	STANDARD BLUE SLATE WHITE SLATE
STANDARD 2 PLAY QUARTER SELECTIONS 5 PLAY QUARTER ALBUM 1 PLAY QUARTER SELECTIONS 3 PLAY QUARTER H-65260	STANDARD 2 PLAY QUARTER SELECTIONS 5 PLAY QUARTER ALBUM 1 PLAY QUARTER SELECTIONS 3 PLAY QUARTER H-65260	STANDARD 2 PLAY QUARTER SELECTIONS 5 PLAY QUARTER ALBUM 1 PLAY QUARTER SELECTIONS 3 PLAY QUARTER H-65260	4	4	1	2	FREE OR BLOCKED	2	5 & 6	NO	YES	YES*	STANDARD BLUE SLATE WHITE SLATE
QUARTER ..... 2 PLAYS 2 QUARTERS ..... 4 PLAYS 4 QUARTERS ..... 8 PLAYS H-65270	QUARTER ..... 2 PLAYS 2 QUARTERS ..... 4 PLAYS 4 QUARTERS ..... 8 PLAYS H-65270	QUARTER ..... 2 PLAYS 2 QUARTERS ..... 4 PLAYS 4 QUARTERS ..... 8 PLAYS H-65270	4	4	1	1	FREE OR BLOCKED	2	5 & 6	NO	YES	YES*	STANDARD BLUE SLATE WHITE SLATE
2 PLAY QUARTER 4 PLAY HALF DOLLAR H-65272	2 PLAY QUARTER 4 PLAY HALF DOLLAR H-65272	2 PLAY QUARTER 4 PLAY HALF DOLLAR H-65272	4	4	1	1	FREE OR BLOCKED	2	5 & 6	NO	YES	YES*	STANDARD BLUE SLATE WHITE SLATE

\* ADJUST CREDIT UNIT WIPER TO MINUS ONE CREDIT WHEN CREDIT WHEEL IS TURNED ALL THE WAY COUNTER CLOCKWISE.

<p><b>SELECT PROGRAM PANEL</b> When changing panel, hold glass in place while removing casting. When replacing casting, insert studs at top before driving screws.</p>			<p><b>ADJUST CREDIT UNIT</b> Credit Unit can be removed by loosening 3 mounting screws and lifting free of keyhole slots. Position stop coils and stop screws as indicated.</p>			
<b>WRA PROGRAM PANEL</b>	<b>WRB PROGRAM PANEL</b>	<b>WRC PROGRAM PANEL</b>	 CREDIT STOP COIL MOUNTING SCREWS 4 STOP COIL Slot No.— 3 2	 CREDIT STOP COIL MOUNTING SCREWS 9 8 7 6 5 4 3 2 Hole No.—	 CANCEL STOP COIL MOUNTING SCREWS 2 CANCEL STOP COIL Slot No.— 1	 CANCEL STOP COIL MOUNTING SCREWS 4 CANCEL STOP COIL Slot No.— 3 2 1
STANDARD SELECTIONS 1 PLAY DIME OR 2 NICKELS 3 PLAYS QUARTER	STANDARD SELECTIONS 1 PLAY DIME 3 PLAYS QUARTER 7 PLAYS HALF DOLLAR ALBUM SELECTIONS 1 PLAY QUARTER 2 PLAYS (PLUS 1 STANDARD PLAY) HALF DOLLAR H-5724B	STANDARD SELECTIONS 1 PLAY DIME OR 2 NICKELS 3 PLAYS QUARTER 7 PLAYS HALF DOLLAR ALBUM SELECTIONS 1 PLAY QUARTER 2 PLAYS (PLUS 1 STANDARD PLAY) HALF DOLLAR H-5724C	3	7	1	3
ALBUM SELECTIONS 1 PLAY QUARTER H-5724A	STANDARD SELECTIONS 1 PLAY DIME 3 PLAYS QUARTER 6 PLAYS HALF DOLLAR ALBUM SELECTIONS 1 PLAY QUARTER 2 PLAYS HALF DOLLAR H-65066	STANDARD SELECTIONS 1 PLAY DIME OR 2 NICKELS 3 PLAYS QUARTER 6 PLAYS HALF DOLLAR ALBUM SELECTIONS 1 PLAY QUARTER 2 PLAYS HALF DOLLAR H-65210	3	6	1	3
1 PLAY DIME OR 2 NICKELS 5 PLAYS QUARTER H-65062	1 PLAY DIME 5 PLAYS QUARTER 11 PLAYS HALF DOLLAR H-65074	1 PLAY DIME OR 2 NICKELS 5 PLAYS QUARTER 11 PLAYS HALF DOLLAR H-65205	3	5	1	1
STANDARD SELECTIONS 1 PLAY DIME OR TWO NICKELS 4 PLAYS QUARTER ALBUM SELECTIONS 1 PLAY (PLUS 1 STANDARD PLAY) QUARTER H-65057	STANDARD SELECTIONS 1 PLAY DIME 4 PLAYS QUARTER 9 PLAYS HALF DOLLAR ALBUM SELECTIONS 1 PLAY (PLUS 1 STANDARD PLAY) QUARTER 4 PLAYS HALF DOLLAR H-65068	STANDARD SELECTIONS 1 PLAY DIME OR 2 NICKELS 4 PLAYS QUARTER 9 PLAYS HALF DOLLAR ALBUM SELECTIONS 1 PLAY QUARTER 3 PLAYS HALF DOLLAR H-65204	4	9	1	3
		STANDARD SELECTIONS 1 PLAY DIME OR 2 NICKELS 5 PLAYS QUARTER 11 PLAYS HALF DOLLAR ALBUM SELECTIONS 1 PLAY QUARTER 2 PLAYS QUARTER PLUS ONE STANDARD PLAY HALF DOLLAR 6 PLAYS HALF DOLLAR H-65206	3	5	1	2
		STANDARD SELECTIONS 1 PLAY NICKEL 2 PLAYS DIME 5 PLAYS QUARTER 11 PLAYS HALF DOLLAR ALBUM SELECTIONS 1 PLAY DIME OR 2 NICKELS 2 PLAYS QUARTER PLUS ONE STANDARD PLAY HALF DOLLAR 6 PLAYS HALF DOLLAR H-65207	2	5	1	2
STANDARD SELECTIONS 1 PLAY NICKEL 2 PLAYS DIME OR TWO NICKELS 6 PLAYS QUARTER ALBUM SELECTIONS 1 PLAY DIME OR TWO NICKELS 3 PLAYS QUARTER H-65059	STANDARD SELECTIONS 3 PLAYS DIME 6 PLAYS QUARTER 13 PLAYS HALF DOLLAR ALBUM SELECTIONS 1 PLAY DIME 3 PLAYS QUARTER 7 PLAYS HALF DOLLAR H-65071	STANDARD SELECTIONS 1 PLAY NICKEL 2 PLAYS DIME OR 2 NICKELS 6 PLAYS QUARTER 13 PLAYS HALF DOLLAR ALBUM SELECTIONS 1 PLAY DIME OR 2 NICKELS 3 PLAYS QUARTER 7 PLAYS HALF DOLLAR H-65208	2	6	1	2
1 PLAY DIME OR 2 NICKELS 3 PLAYS QUARTER H-65056	1 PLAY DIME 3 PLAYS QUARTER 7 PLAYS HALF DOLLAR H-65065	1 PLAY DIME 3 PLAYS QUARTER 7 PLAYS HALF DOLLAR H-65065	3	7	1	1
		STANDARD SELECTIONS 1 PLAY 15c 2 PLAYS QUARTER 5 PLAYS HALF DOLLAR ALBUM SELECTIONS 1 PLAY QUARTER 3 PLAYS HALF DOLLAR H-65211	2	6	3	6
STANDARD SELECTIONS 2 PLAYS QUARTER ALBUM SELECTIONS 1 PLAY QUARTER H-65266	STANDARD SELECTIONS 2 PLAYS QUARTER 5 PLAYS HALF DOLLAR ALBUM SELECTIONS 1 PLAY QUARTER 2 PLAYS (PLUS 1 STANDARD PLAY) HALF DOLLAR H-65232	STANDARD SELECTIONS 2 PLAYS QUARTER 5 PLAYS HALF DOLLAR ALBUM SELECTIONS 1 PLAY QUARTER 2 PLAYS (PLUS 1 STANDARD PLAY) HALF DOLLAR H-65232	2	5	1	2
	STANDARD SELECTIONS 2 PLAYS QUARTER 5 PLAYS HALF DOLLAR OR 2 QUARTERS ALBUM SELECTIONS 1 PLAY QUARTER 2 PLAYS (PLUS 1 STANDARD PLAY) HALF DOLLAR OR 2 QUARTERS H-65257	STANDARD SELECTIONS 2 PLAYS QUARTER 5 PLAYS HALF DOLLAR OR 2 QUARTERS ALBUM SELECTIONS 1 PLAY QUARTER 2 PLAYS (PLUS 1 STANDARD PLAY) HALF DOLLAR OR 2 QUARTERS H-65257	3	6	1	2

# TABLE OF PLAY PROGRAMMING PROCEDURE - WR SERIES WALL CONSOLE

MOUNTING SCREWS  CANCEL STOP COIL MOUNTING SCREWS CANCEL STOP COIL MOUNTING SCREWS CANCEL STOP COIL MOUNTING SCREWS CANCEL STOP COIL MOUNTING SCREWS CANCEL STOP COIL MOUNTING SCREWS CANCEL STOP COIL MOUNTING SCREWS CANCEL STOP COIL MOUNTING SCREWS Slot No. —	NICKEL DIVERTER IN WRA, WRC  FREE COIN ACCEPTORS BLOCKED NATIONAL BLOCKED	50¢ BONUS RELAY  BONUS RELAY SWITCH SET CREDIT PRICE SWITCH AS INDICATED WRA, WRB   WRC	BONUS RELAY IN WRB, WRC	NICKELS AND DIMES REJECTED? SEE SUPPLEMENT SHEET	200-66390, 2 QUARTER CREDIT WHEEL REQUIRED?	MOVE WIRES ON WRB COIN SWITCHES	
						STANDARD  BLUE SLATE WHITE SLATE	MODIFIED  BLUE SLATE WHITE SLATE
3	FREE	1	1 & 6	NO	NO	NO	NO
3	FREE	1	1 & 6	NO	NO	NO	NO
1	FREE	4	1 & 7	YES	NO	NO	NO
3	FREE	1	1 & 6	NO	NO	NO	NO
2	FREE		5 & 7	YES	NO	NO	NO
2	BLOCKED	2	5 & 6	YES	NO	NO	NO
2	BLOCKED	2	5 & 8	YES	NO	NO	NO
1	FREE	1	1 & 6	NO	NO	NO	NO
3	BLOCKED		4 & 8	YES	NO	NO	
1	FREE OR BLOCKED	2	5 & 6	NO	YES	NO	YES
1	FREE OR BLOCKED	2	5 & 6	NO	YES	YES	YES

## INITIAL CHECKOUT

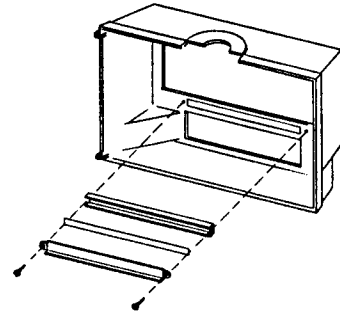
Perform initial checkout procedure as follows:

1. Set up credit and pricing system and install price cards as directed in price of Play Programming Procedures starting on pages 5 and 6.
2. Install title strips as directed in Section 3 below.
3. Deposit coins and make selections.
4. Check that the Walette and associated phonograph or Hideaway operate properly.
5. Check that sound is clear and undistorted; adjust master volume control at phonograph or Hideaway.

## PERSONALIZATION

Personalize the Walette using personalization kit 201-65490 as follows:

1. Unlock and open front door. Remove door from hinges.
2. Remove two screws and lift out back plate and personalization window as shown below.
3. Using letters supplied with kit, compose a message on the personalization window.
4. Assemble window and back plate to door and install door on cabinet.



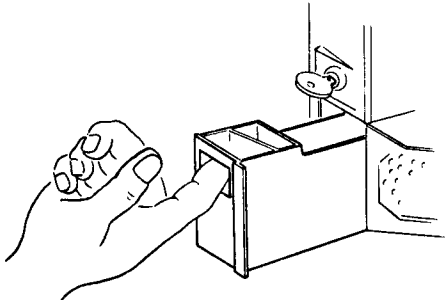
## SECTION 3 - ROUTINE SERVICE

### INTRODUCTION

This section contains instructions to enable the route man to perform routine service procedures such as making collections, cabinet cleaning, and changing title strips and album inserts.

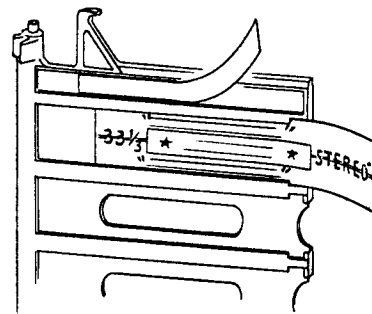
### Cash Box Removal

1. Unlock and open front door.
2. Slide cash box out from housing lower left side as shown.



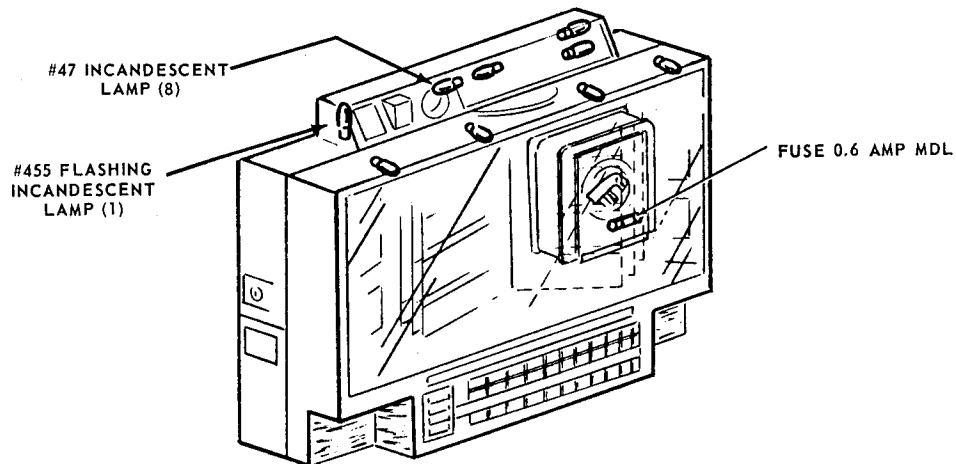
### Changing Title Strips and Program Classifiers

1. Insert title strips on title page assembly as shown.
2. Peel away backing and install appropriate program classifiers as shown.



## Changing Cabinet Lamps and Fuses

1. Cabinet lamps and fuses are shown below.

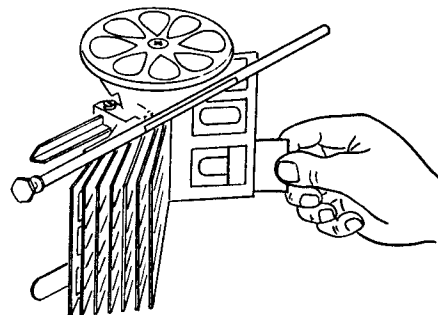


### CAUTION

Turn title pages with knob only.

## Change Miniature Albumn Inserts

1. Place inserts into page holder as shown.



## Cabinet Cleaning

1. Clean all glass with a paper towel and a glass cleaner. Dry with a clean, lint-free cloth.
2. Clean chrome trim with a damp or dry cloth to remove dust or dirt. Use mild soap and water to remove stubborn deposits. Do not use strong detergents or abrasives of any kind. Apply a good quality auto or furniture wax to protect the finish.
3. Clean all plastic surfaces with a damp or dry cloth only. Do not use solvents.
4. Clean all electrical components with a clean, dry, lint-free cloth or a soft-bristled brush only.



## SECTION 4 - TROUBLESHOOTING

### INTRODUCTION

This section contains troubleshooting charts listing probable trouble causes and corrective procedures. Sequence of operation schematic diagrams, and schematic and wiring diagrams are included to aid in isolating and correcting equipment malfunctions easily and rapidly. Use the instructions in this section in conjunction with the adjustment and repair and replacement instructions in Section 5-Maintenance to correct malfunctions.

It is important to troubleshoot logically so that effort is not wasted in removing and replacing the wrong parts. Most failures are caused by minor defects such as loose connections or dirty contacts. Check these minor sources of trouble before replacing any parts.

The most common malfunctions of the Walette, their probable causes and remedial procedures are listed in the Troubleshooting chart which follows. The trouble column contains specific malfunction symptoms. Each malfunction has one or more corresponding causes, listed in order of probability in the "Probable Cause" column. If more than one probable cause and remedy are listed for a particular trouble, perform the procedures in the remedy column in the order listed.

If the trouble is not listed, or if the trouble is not corrected by performing the remedial procedures, perform troubleshooting procedures using the schematic and wiring diagrams starting on page 12.

### TROUBLESHOOTING CHART

TROUBLE	CAUSE	REMEDY
Valid coins sometimes fail to go through slug rejector to cash box, remaining jammed in the slug rejector.	Dirt or foreign matter clogging coin passages in slug rejector.	Refer to slug rejector service manual for cleaning procedure. Clean in accordance with instructions.
	Scavenger binding rejector out of adjustment.	Refer to slug rejector service manual for adjustment procedure.
Valid coins pass through slug rejector to cash box, but credits are not established.	Coin switch or credit switch contacts dirty, bent, or broken.	Adjust coin switches. Check for bent or broken contacts. Clean contacts.
	Incorrect alignment of slug rejector and coin switches. Coins drop between switch levers.	Be sure that slug rejector is firmly clamped in place. Adjust coin switches as necessary.
	Credit coil plunger binding; may be gummed with foreign matter or coil may be burned out.	Check credit coil plunger for binding due to dirt. Check coil windings for continuity.
	Fuse blown in credit unit.	Check for hanging coin switch.
	Broken lead to coin switch.	Re-solder lead to coin switch.
Valid coins are accepted, credits are established, but credit lamp does not light.	Lamp burned out or wiring broken or shorted.	Refer to wiring diagram and repair or replace defective wires.
	Broken wiper blade on credit unit wiper arm assembly	Replace wiper blade.

## TROUBLESHOOTING CHART (Continued)

TROUBLE	CAUSE	REMEDY
Credit cannot be established or removed.	No dc voltage, or low dc voltage to credit unit.	Check voltages in credit unit circuit. Replace diode or capacitor.
Continuous free-play. Credit light remains on.	Bonus Relay switch in YES position when bonus relay is not used. (WRC ONLY)	Return switch to NO position.
	Credit coil plunger binding in raised position.	Free credit coil plunger. Replace credit coil if necessary.
	Cancel coil burned out.	Check cancel coil for continuity. Check for burned appearance. Replace defective coil.
	Cancel circuit open.	Check credit cancel coil for continuity.
More than normal number of credits established for coin deposited.	Appropriate stop coil not energized.	Check for intermittent open circuits, loose wires, or poor solder connections.
	Appropriate stop coil plunger sticking.	Actuate plunger manually to check for free operation. Clean or replace plunger and/or spring if necessary.
	Improper credit set up.	Check pricing against credit and pricing chart.
	Coin switch bounce.	Check coin switch adjustment.
Motor does not run to credit position when credit is established.	Open circuit to motor.	Check adjustment of commutator wiper arm. Check continuity through M2 and D switches, number and letter switch banks, credit price switch, and credit rings.
Motor runs continuously.	Relay K6 does not drop out.	Check diodes in motor circuit for shorts. Replace shorted diode.
	Relay K6 drops out too fast.	Check for open resistor or capacitor in K6 coil circuit.
Motor runs slowly.	Relay K6 contacts not making or open diode.	Check relay K6 contacts and diodes in motor circuit.
Motor stops as soon as it leaves credit position.	Switch M2 not operating.	Adjust or replace switch M2.
	Commutator wiper out of time.	Check adjustment of wiper arm. Readjust wiper arm if necessary.

## TROUBLESHOOTING CHART (Continued)

TROUBLE	CAUSE	REMEDY
Standard selections remove premium credit.	Cancel-stop coil not operating.	Check for shorted cancel stop coil or sticking plunger.
Standard selections require premium credit and remove premium credit.	Discotheque or premium price switches set incorrectly.	Check switch settings.
Premium selections cannot be made.	Relay K4 not operating.	Check adjustment of switch M1. Check continuity through premium price switches, switch M1, credit price switch, and credit rings.
Incorrect selections on all wall consoles.	Faulty stepper.	Refer to stepper manual.
Incorrect selection on some wall consoles.	Signal circuit open.	Check continuity through commutator wiper and letter pushbutton switches. Through commutator wiper and number pushbutton switches. Through K4 relay contacts and premium price switches.
Pushbuttons do not latch or pushbuttons do not release.	Latch bar adjusting screws out of adjustment.	Adjust screws.
Title page lights do not operate.	Front door contact spring not making contact.	Adjust contact spring.
All wall consoles inoperative.	Burned out fuse in power supply.	Check for short in cabling. Check for overloaded power supplies. Refer to power supply instruction sheet.
All speakers stay on.	Faulty relay in power supply or no d-c voltage to relays.	
No sound.	Relay K3 not operating.	Check seating of relay in its socket. Check for continuity to relay coil.
Channels unbalanced on low or medium volume.	Open resistor.	Check resistors on volume control switches.
One channel inoperative.	Speaker or speaker circuit open.	Check continuity through plug and speaker relay to speaker.

## SEQUENCE OF OPERATION

### 1 Standby

1. Front door lights and program panel lights are on. SERVICE pushbutton will light the amber service light to attract the waitress's attention.

### 2 Customer Inserts Dime

1. Coin closes 10¢ coin switch. 10¢ credit is established on credit unit thru fixed credit stop coil and credit coil. Standard price light is lit and K6 relay is energized thru credit wiper.

2. K6 contacts close, starting gear motor. Motor runs thru one diode on one-half cycle and thru another diode on the other half-cycle. Coin switch opens, de-energizing credit coil.

3. Cam on gear motor transfers M2 switch, by-passing pushbutton switches and commutator. K6 continues to hold in.

4. Commutator wiper (driven by gear motor) reaches credit position. Switch M2 transfers again. Circuit to K6 is open at commutator. Capacitor holds K6 in for about 100 milliseconds. During this time half-wave DC is applied to motor but blocked from K6 by diode. Motor slows down.

5. K6 falls out. Motor stops. Pushbutton latch bars are now in position to latch pushbuttons when depressed.

### 3 Customer Makes Selection

1. Pushbuttons D2 depressed. K6 is energized thru pushbutton switches.

2. K6 contacts close, energizing gear motor as before.

3. Cam on gear motor transfers switch M2, by-passing pushbutton switches and commutator contacts in motor circuit. K6 continues to hold in.

4. Motor continues to run, sending pulses to the signal line thru circuits shown.

5. During the motor cycle, motor driven switches M4 and M3 will close momentarily, energizing the Speaker Relay K3 and the Credit Cancel Coil. The Credit Cancel Coil removes credit.

### 4 Selection Registered

1. K3 contacts close, turning on speakers. K3 will continue to hold in until phonograph plays last selection and mechanism scans out. Volume control switch is shown with the high button latched.

2. The speakers are 45 ohms. If the low or medium buttons are latched instead of the high buttons, a series-parallel circuit maintains a 45 ohm per channel load on the amplifier. If no buttons are latched, there still will be a circuit thru the speakers to give some sound.

3. After the wiper passes the U-V signal segment of the commutator, the motor cam unlatches the push-buttons.

4. Commutator wiper reaches home position and motor cam transfers M2 switch. With no credit on the credit wiper, the gear motor returns to half-wave DC and K6 relay circuit is broken. However K6 and its contacts are held in again for 100 milliseconds.

5. K6 falls out and its contacts open, shutting off the gear motor. The Wall Console is now ready to receive another coin.

### 5 Premium Price Operation

Credit Pricing Switch in No. 1 position; Premium Pricing Switches E7, E8, and E9 in PREMIUM PRICE position. BONUS RELAY SWITCH (BRS) in "NO" position.

1. Customer inserts half-dollar - closes 50¢ coin switch. 50¢ credit is established on credit unit thru the credit coil. Premium light is lit and K4 and K6 relays are energized thru credit wiper.

2. K6 relay contacts close, starting gear motor. Motor runs thru one diode on one-half-cycle and thru another diode on the other half-cycle. K4 contacts close, but have no function at this time. Coin switch opens, de-energizing credit coil. Motor drives commutator wiper to the credit position and the motor cam causes M2 switch to transfer momentarily by-passing the commutator. This allows the commutator wiper to reach credit position before the DC braking action occurs as in Sequence 2, steps 2 thru 5.

### 6 Premium Price Operation (Cont.)

3. Pushbuttons Y-0 depressed - K4 is energized thru credit rings. There is no circuit thru the number pushbutton switches to K6 so that if there is less than premium credit, nothing happens.

4. K4 contacts close energizing K6 which in turn causes the gear motor to run as in Sequence 3, steps 2 thru 5 except that K4 holds in thru its own contacts 6 and 10. K4 contacts 12 and 8 are closed, shorting the Cancel Stop Coil. Thus when switch M3 operates, 3 credits will be removed instead of 1. K4 contacts 5 and 9 are also closed. The signal circuits for 7, 8, 9 and 0 group selections go thru these contacts. Thus,

enough pulses for a Premium Price selection cannot be sent thru the signal line unless K4 is energized and K4 cannot be energized unless there is premium credit.

5. Just before the commutator wiper reaches the home position, the motor cam opens M1 switch (de-energizing K4 relay) and releases pushbuttons. Since there is still credit left, K6 will remain energized thru the credit wipers and the pushbutton contacts. The motor will continue to drive the commutator wiper to the credit position as in step 2 above.

6. If the commutator wiper reaches home position while the search unit is still searching for a selection, the AC Control Circuit will be broken by the contacts in the power supply. If the pushbuttons are held in manually, the circuit to the motor is broken by its contacts. In either case, when the circuit is broken the motor will brake (as in Sequence 4, steps 3 and 4) and wait for the contacts to close before advancing the commutator wiper to credit position.

### 7 Discotheque Operation

Credit Pricing Switch in position #1. Bonus Relay Switch in "NO" position. DISCOTHEQUE SWITCH in "DISCOTHEQUE" position. No credit established on credit unit.

1. Customer inserts quarter - Credit wiper advances 3 steps to premium credit position. K4 Relay can be energized only when premium credit is established. K4 relay contacts in turn energize K6 relay, which turns on the gear motor to drive the commutator wiper to the credit position. At this time, K4 relay is de-energized.

### 8 Discotheque Operation (Cont.)

2. Pushbuttons A-1 depressed - K4 is again re-energized thru the pushbutton circuit and the motor turns (thru K6 relay contacts as in Sequence 5, step 4). The circuit thru DS switch makes all selections premium price. Therefore, credit is removed the same as in premium pricing (thru M3 switch and K4 contacts 12 and 8).

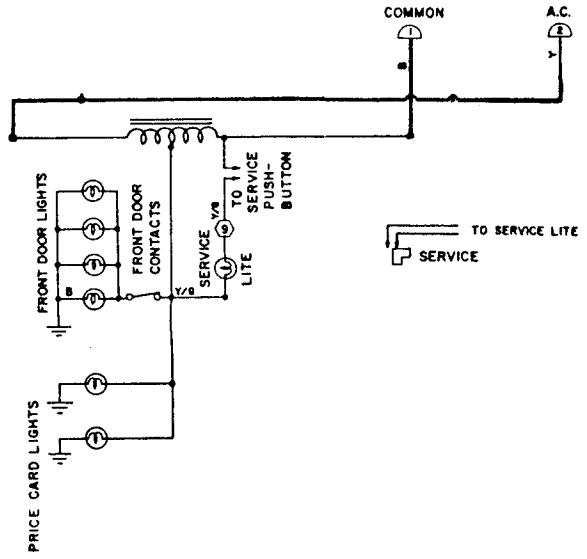
### 9 Bonus Relay Operation

Wall Console price combination using program panel No. 300-65074 as shown in Price of Play Programming Chart (pages 5 and 6). CREDIT PRICING SWITCH in position No. 4, BONUS RELAY SWITCH (BRS) in "YES" position. ALL PREMIUM PRICE switches in "STANDARD" position.

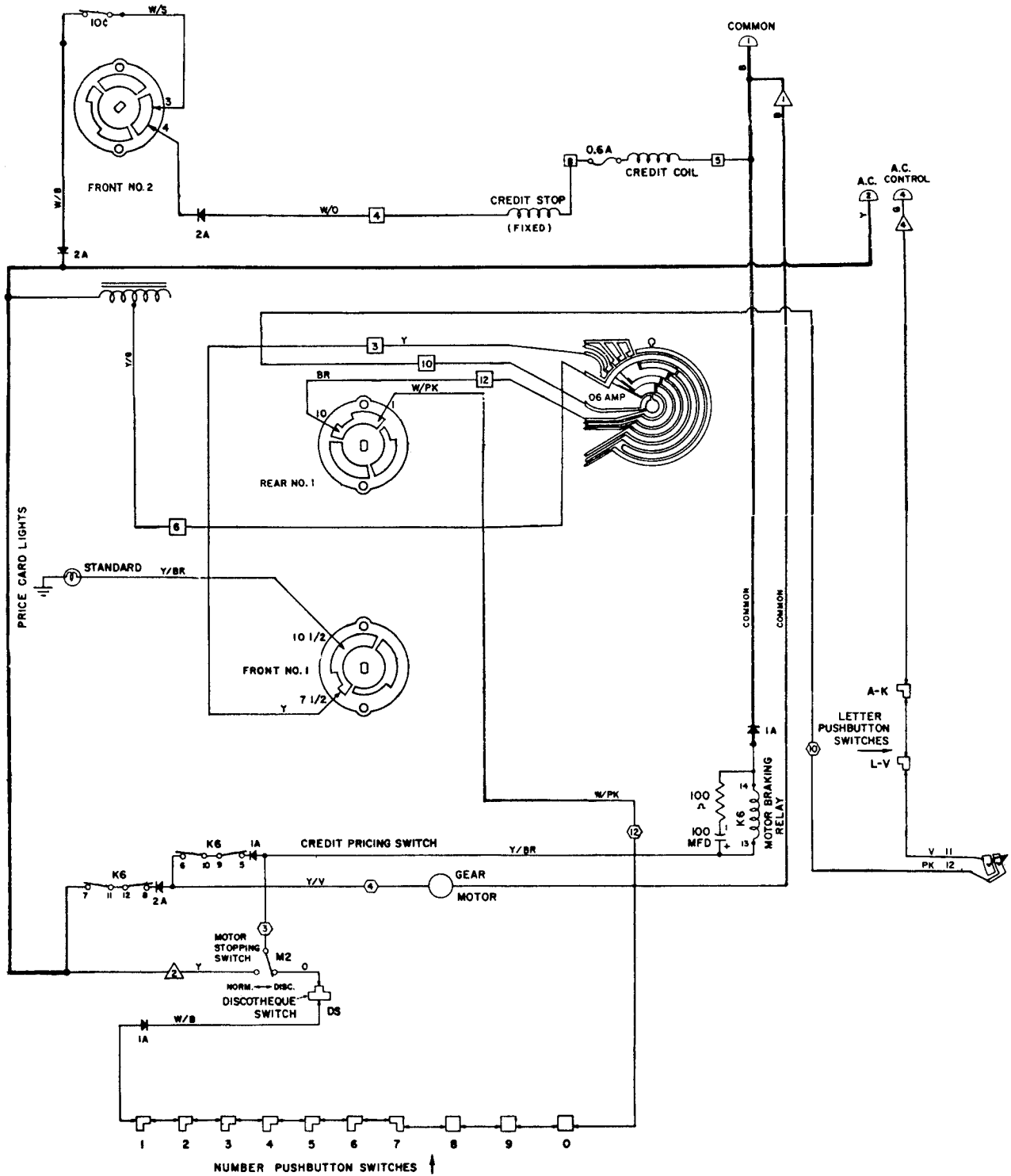
1. Customer inserts half-dollar - K5 (Bonus Relay) becomes momentarily energized thru coin switch and BRS switch. Credit coils energized thru BRS switch establishing 5 credits (25¢) on the credit wipers. Premium light is turned on thru the credit wipers. Commutator wiper advances to credit position as before. K5 relay remains energized thru its own contacts 5 and 9.

2. Customer makes selection - During the selection cycle, M3 wiper switch closes and sends a second pulse thru the Bonus Relay contacts to the Credit Coil instead of the credit cancel coil. Thus, instead of credits being removed, 5 more are established. After M3 opens, M5 switch closes and shorts out the Bonus relay, causing it to fall out. Subsequent selections will remove credit.

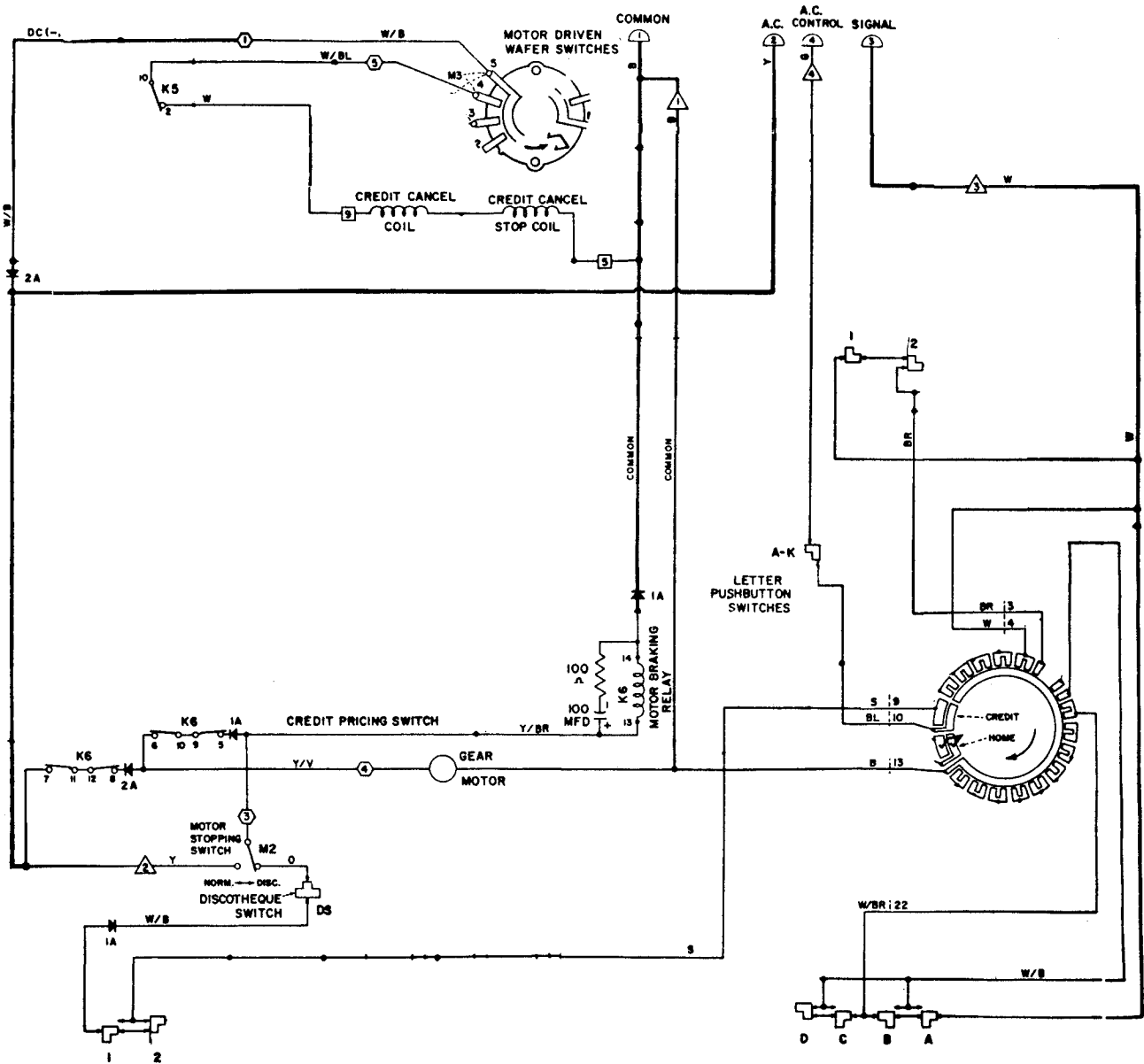
① STANDBY



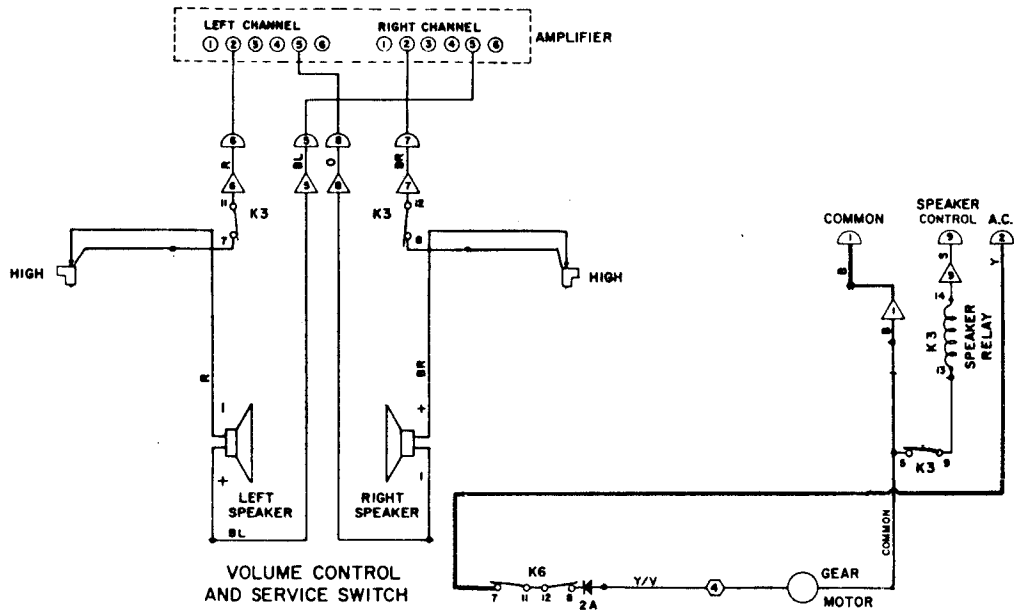
2 CUSTOMER INSERTS DIME



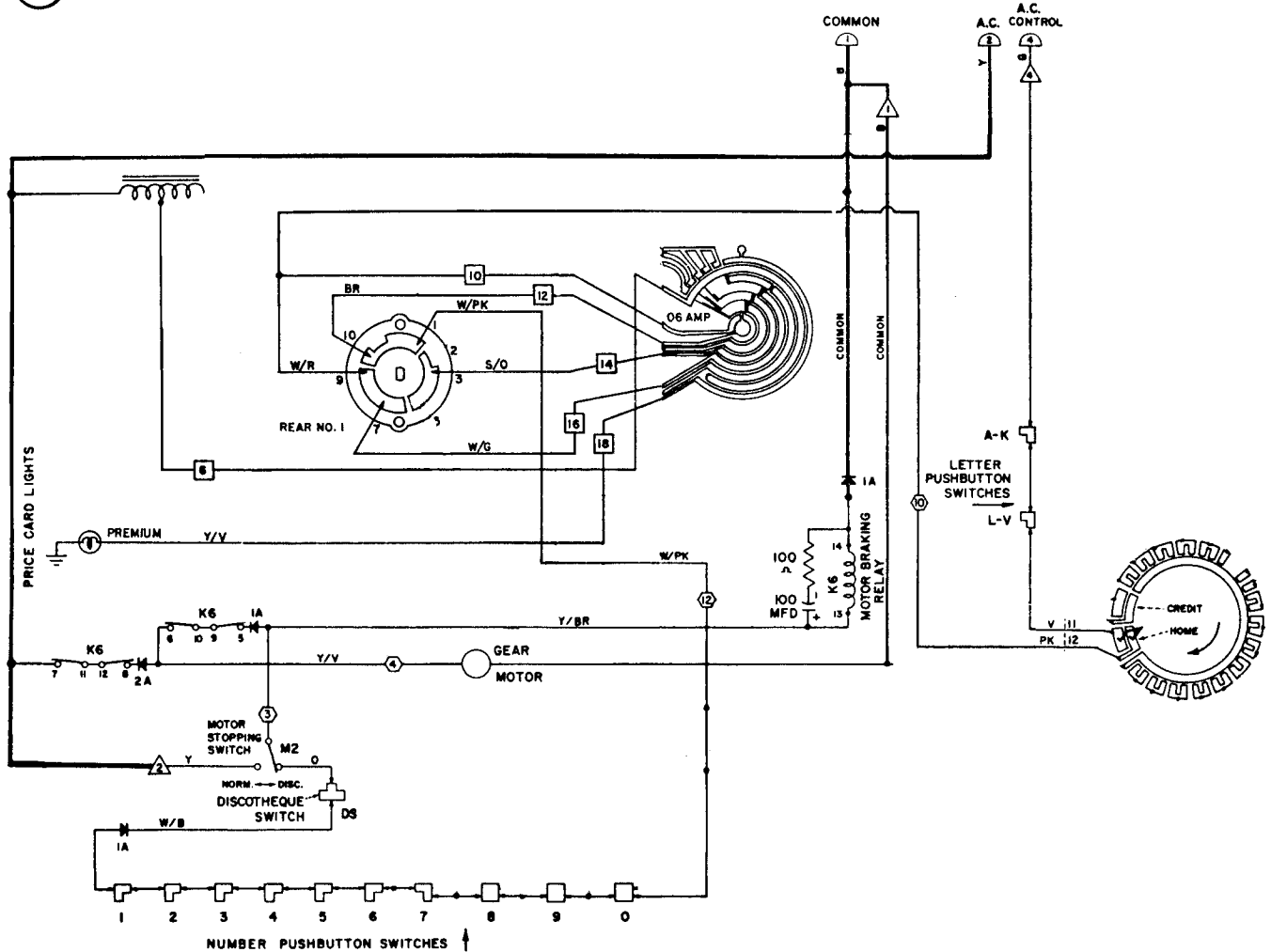
### 3 CUSTOMER MAKES SELECTION



4 SELECTION REGISTERED

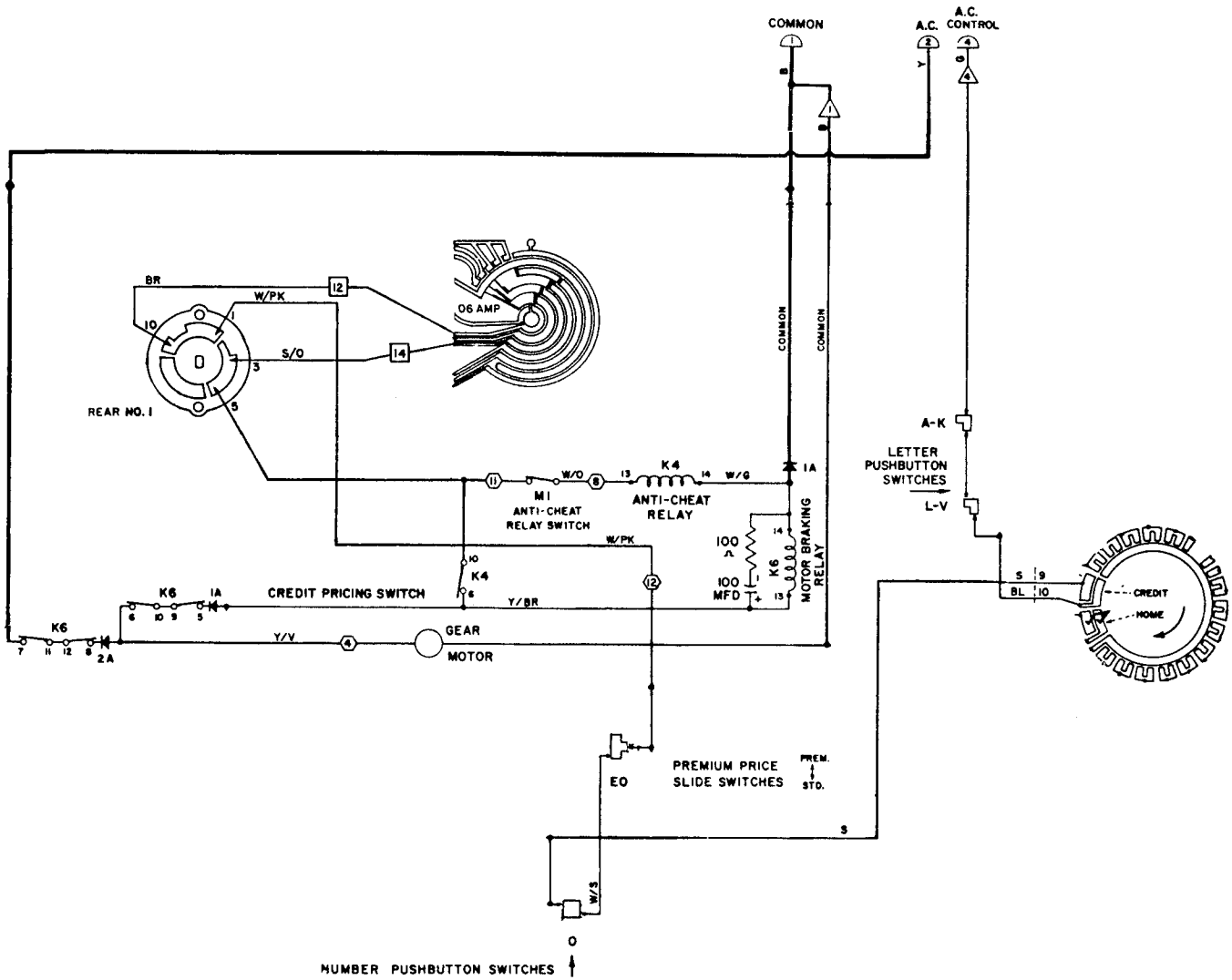


5 PREMIUM PRICE OPERATION

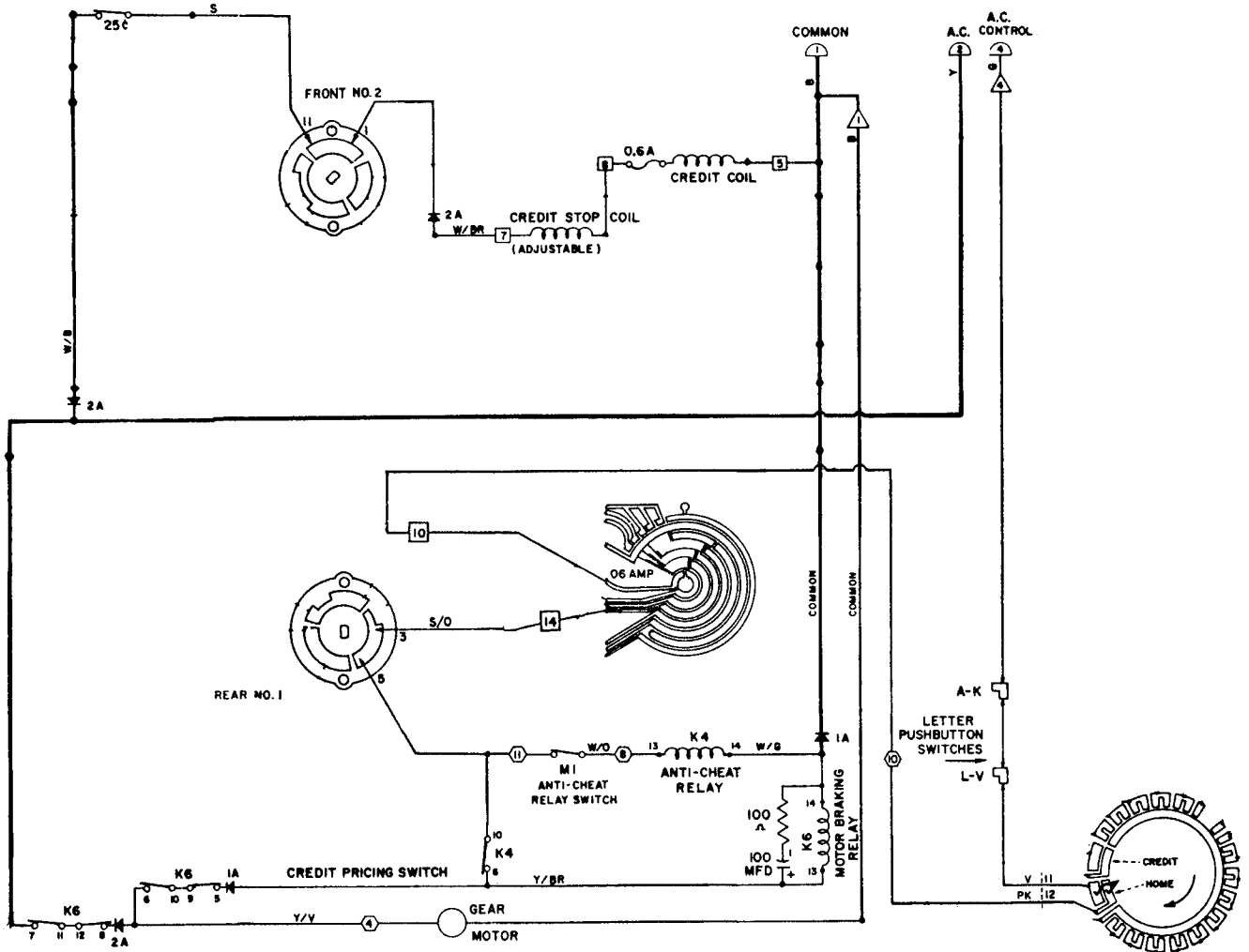




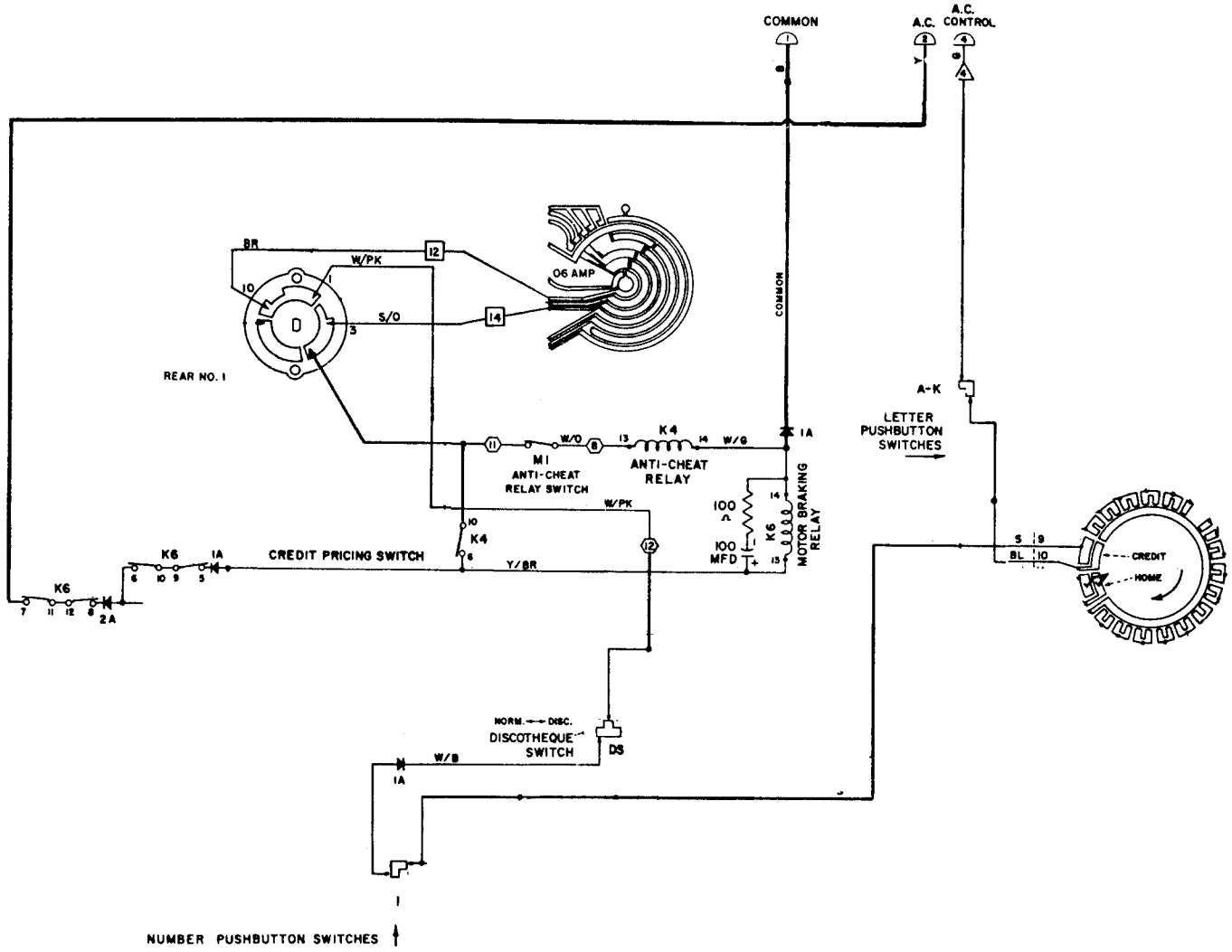
6 PREMIUM PRICE OPERATION (Cont.)



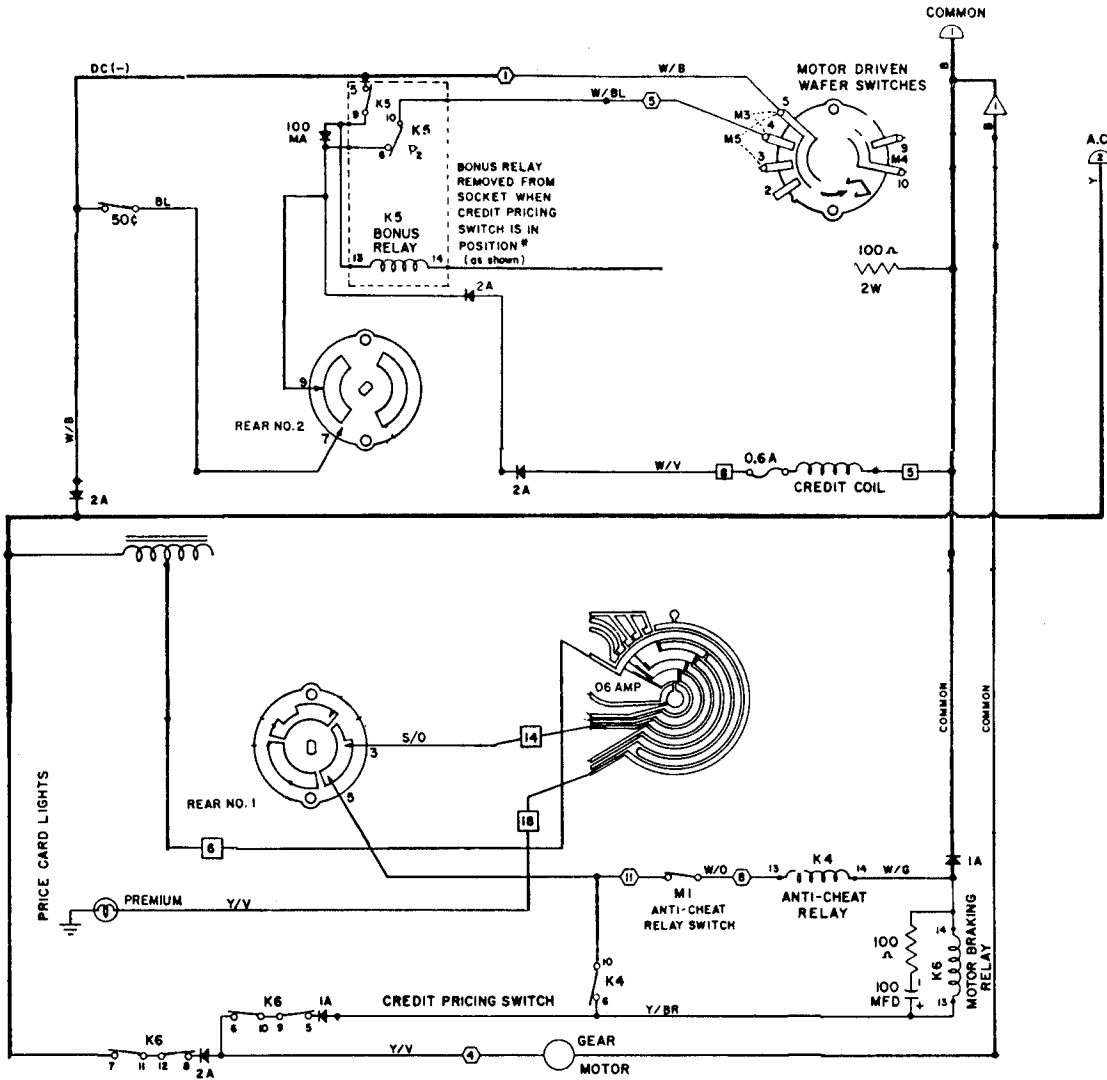
# 7 DISCOTHEQUE OPERATION

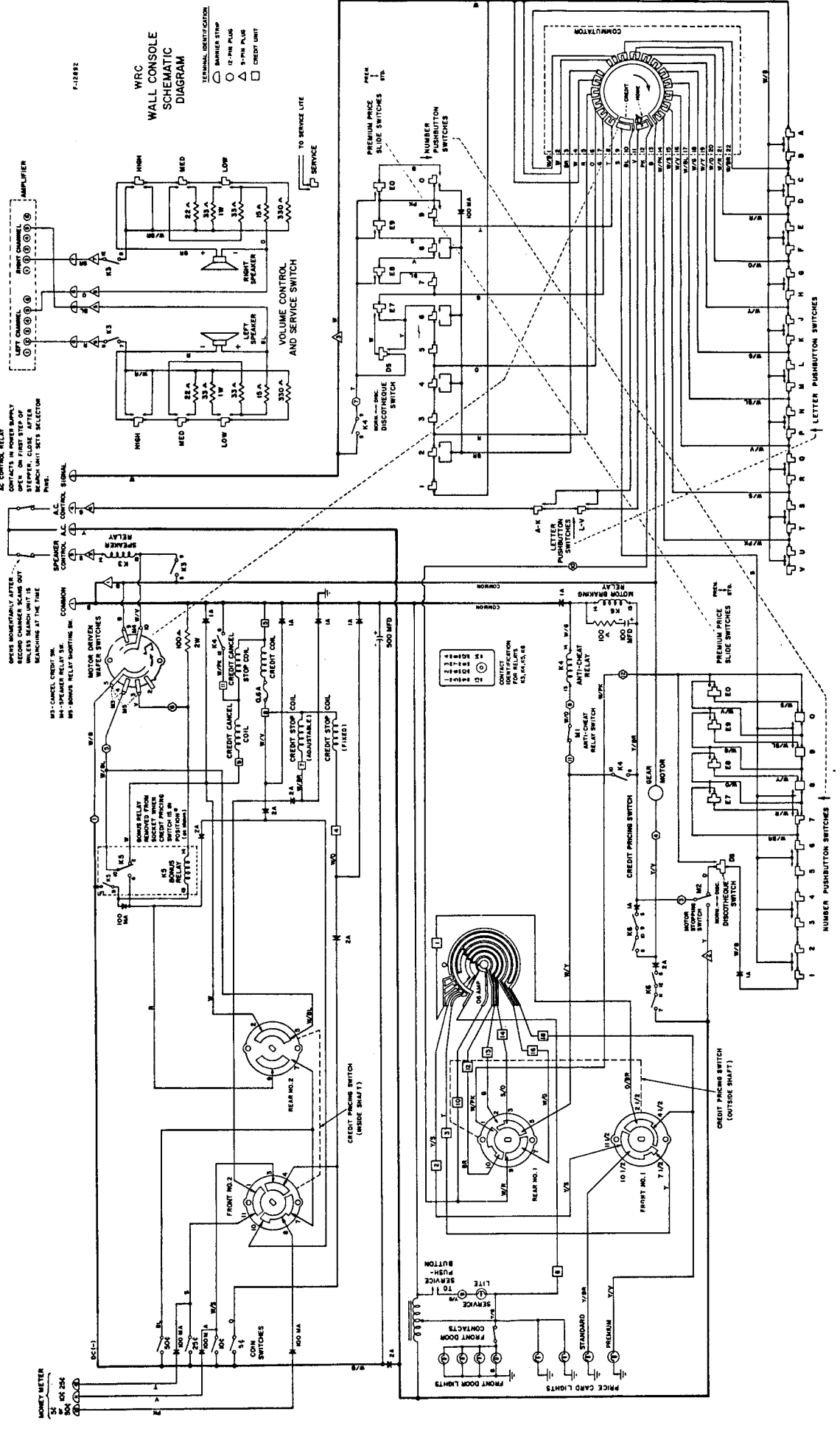


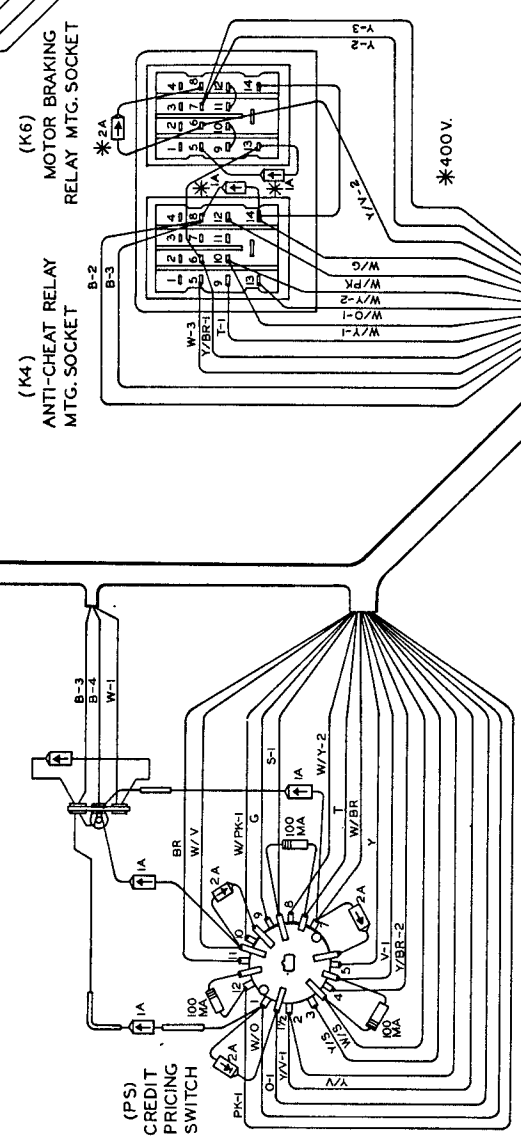
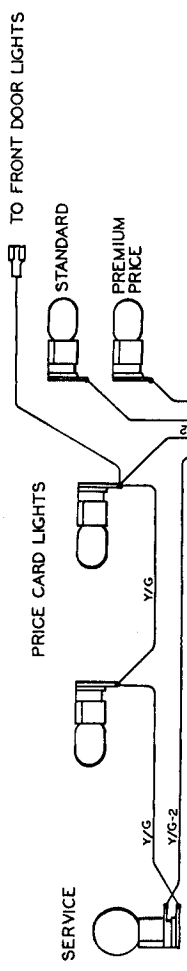
8 DISCOTHEQUE OPERATION (Cont.)



9 BONUS RELAY OPERATION



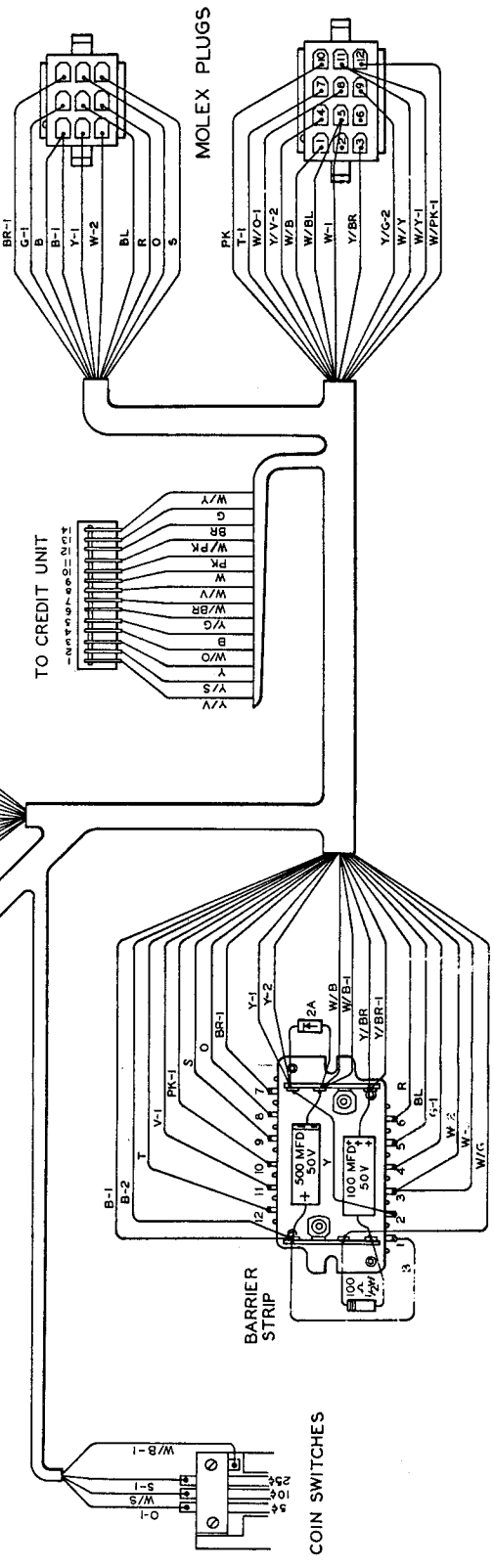




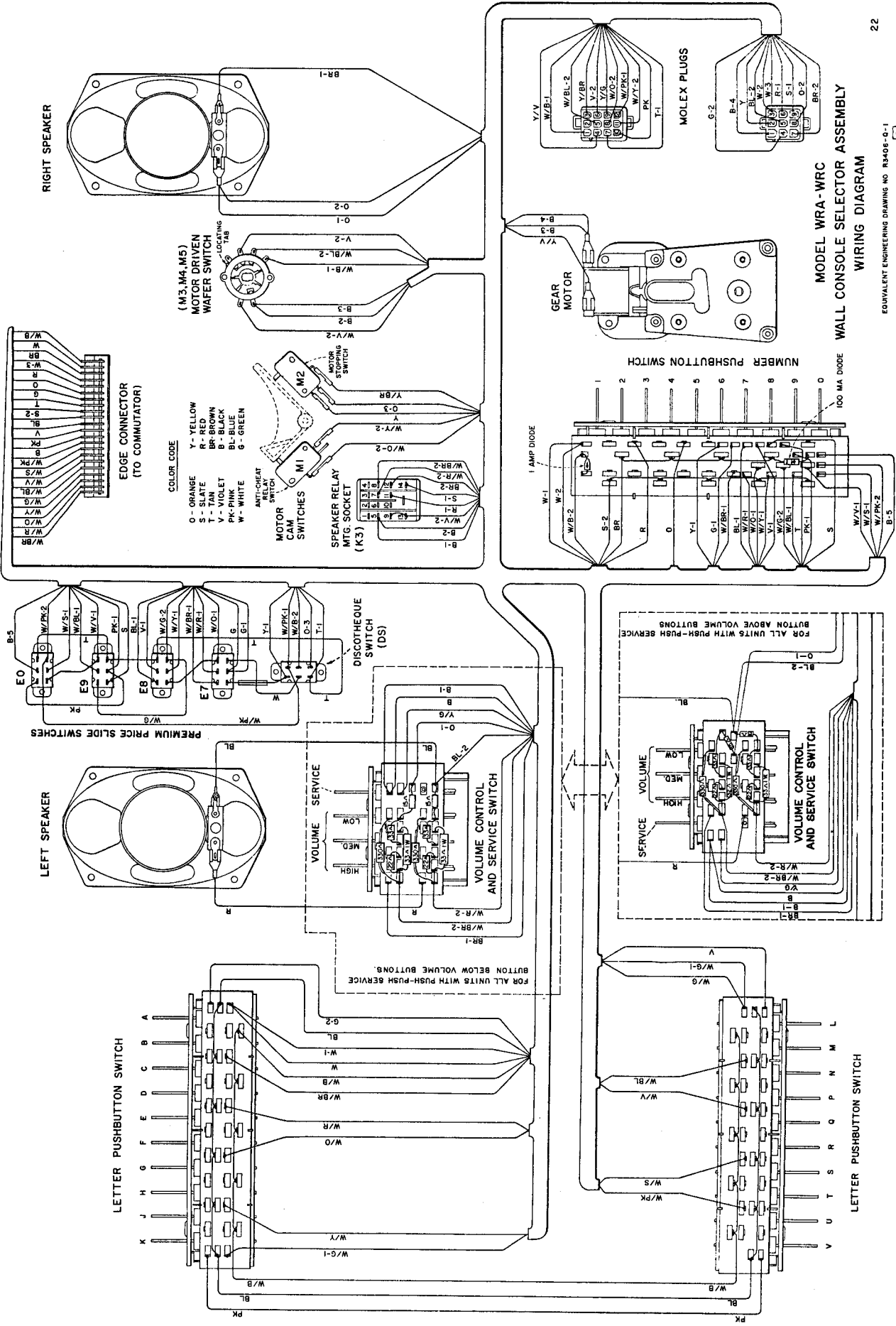
**WRA**  
**WALL CONSOLE WIRING DIAGRAM**  
 EQUIVALENT ENGINEERING DRAWING NO. R340A  
 CHANGE **V**

WIRE COLOR CODE

B-	BLACK
BR-	BROWN
G-	GREEN
O-	ORANGE
PK-	PINK
R-	RED
S-	SLATE
T-	TAN
V-	VIOLET
W-	WHITE
Y-	YELLOW







MODEL WRA-WRC  
WALL CONSOLE SELECTOR ASSEMBLY  
WIRING DIAGRAM

EQUIVALENT ENGINEERING DRAWING NO. R3406-0-1  
CHANGE C



# SECTION 5 - MAINTENANCE

## INTRODUCTION

This section contains preventive maintenance, calibration and adjustment, and corrective maintenance procedures for the walette. Preventive maintenance is performed at specified intervals to prevent equipment failure and minimize down time. Calibration and adjustment is performed to insure that the Walette is operating within its specified tolerances. Corrective maintenance is performed to locate trouble and make repairs in the shortest possible time.

## PREVENTIVE MAINTENANCE

### Cleaning

In addition to cleaning the wallbox exterior each time the location is visited, clean the interior periodically as required.

a. Use a vacuum cleaner, if available, to remove heavy dust deposits.

**WARNING**

Use solvents in a well-ventilated area only; do not use solvents of any type on plastic parts.

b. Use a clean, lint-free cloth saturated in denatured alcohol to clean mechanical parts.

c. Clean electrical parts using a clean, dry cloth or camel hair brush.

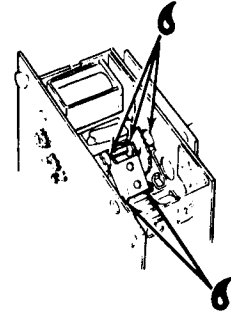
d. Clean tarnished credit unit commutator board by rubbing with a pencil eraser.

e. Clean the slug rejector as specified in the applicable slug rejector service manual.

### Lubrication

Lubricate the gear motor assembly yearly. Apply one drop light machine oil, Rowe/AMI Specification 200-01379, or equivalent, to the gear motor oil wick and gear train bronze bearings. Lubricate the credit unit as shown

### CREDIT UNIT



NO OIL OR GREASE  
ON ANY SOLENOID  
PLUNGERS

**6** ONE DROP LIGHT MACHINE OIL, ROWE /AMI SPECIFICATION F-1379, OR EQUIVALENT, EVERY SIX MONTHS.

DO NOT OVER-OIL

## CALIBRATION AND ADJUSTMENT

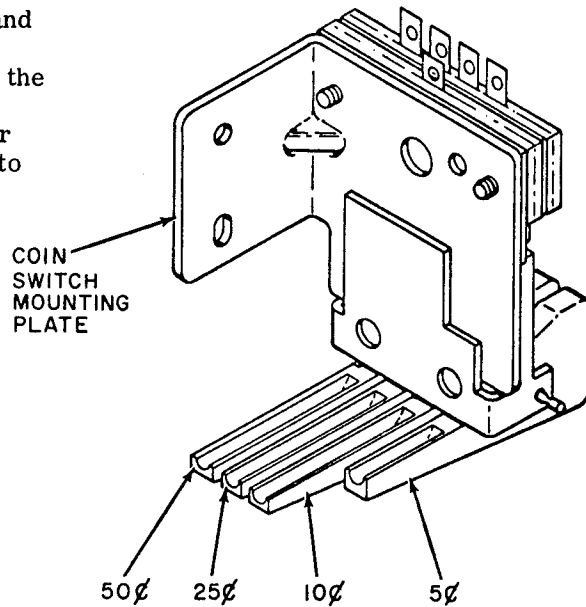
Walette adjustments are listed in Table below.

ADJUSTMENT	PAGE
<p>CREDIT AND PRICING SYSTEM</p> <p style="padding-left: 20px;">COIN SWITCH</p> <p style="padding-left: 20px;">CREDIT UNIT</p> <p>SELECTION SYSTEM</p> <p style="padding-left: 20px;">LATCH BAR STOPS</p> <p style="padding-left: 20px;">GEAR MOTOR WIPER ARM</p> <p style="padding-left: 20px;">SWITCHES M1 AND M2</p> <p style="padding-left: 20px;">PAGE ASSEMBLY</p>	

## COIN SWITCH ADJUSTMENTS

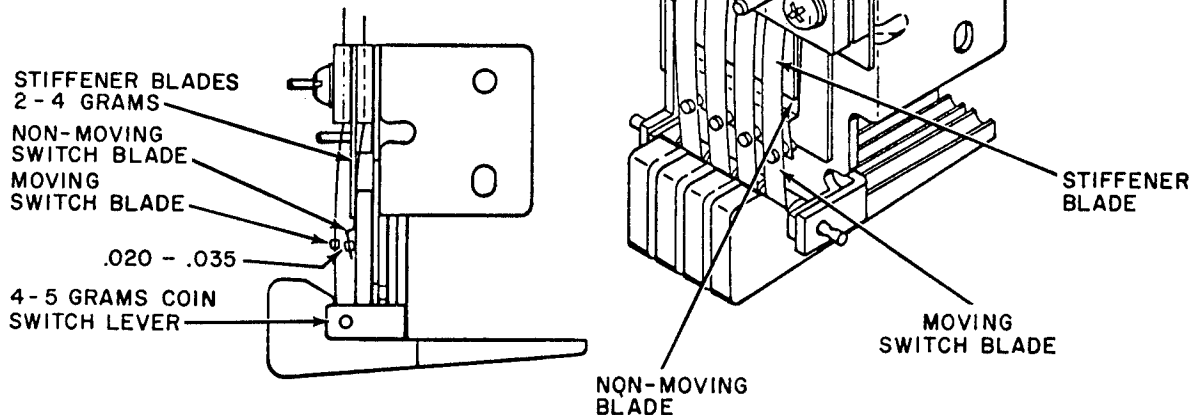
### Operational Check

- Hold plastic coin switch lever in normal position and drop a coin through slug rejector.
- When the coin comes to rest on the lever, release the lever slowly.
- Check that the weight of the coin operates the lever enough to close the coin switch and allow the coin to fall free.
- Repeat steps a, b, and c for other three levers.



### Contact Pressure and Gap

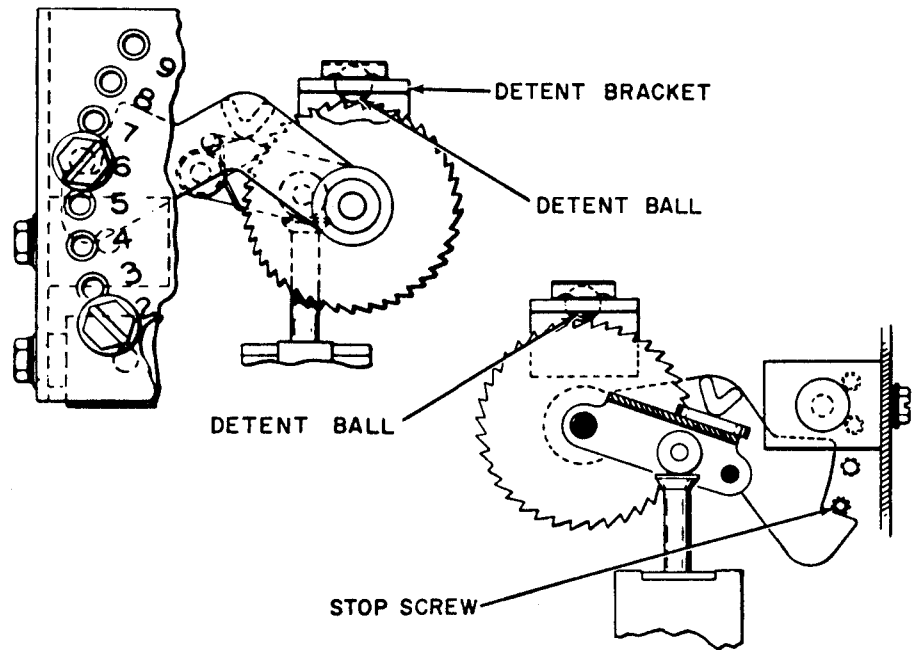
- Check that each moving switch blade pushes against its lever with 4- to 5-grams force to hold lever against cushion.
- Check that each non-moving blade pushes against its stiffener blade with 2- to 4- grams force.
- Adjust contact pressure by bending contact blade near fiber insulator.
- Check that gap between contacts at each switch is 0.020 to 0.035-inch (about 1/32).
- Adjust gap by bending stiffener blade.



## CREDIT UNIT ADJUSTMENTS

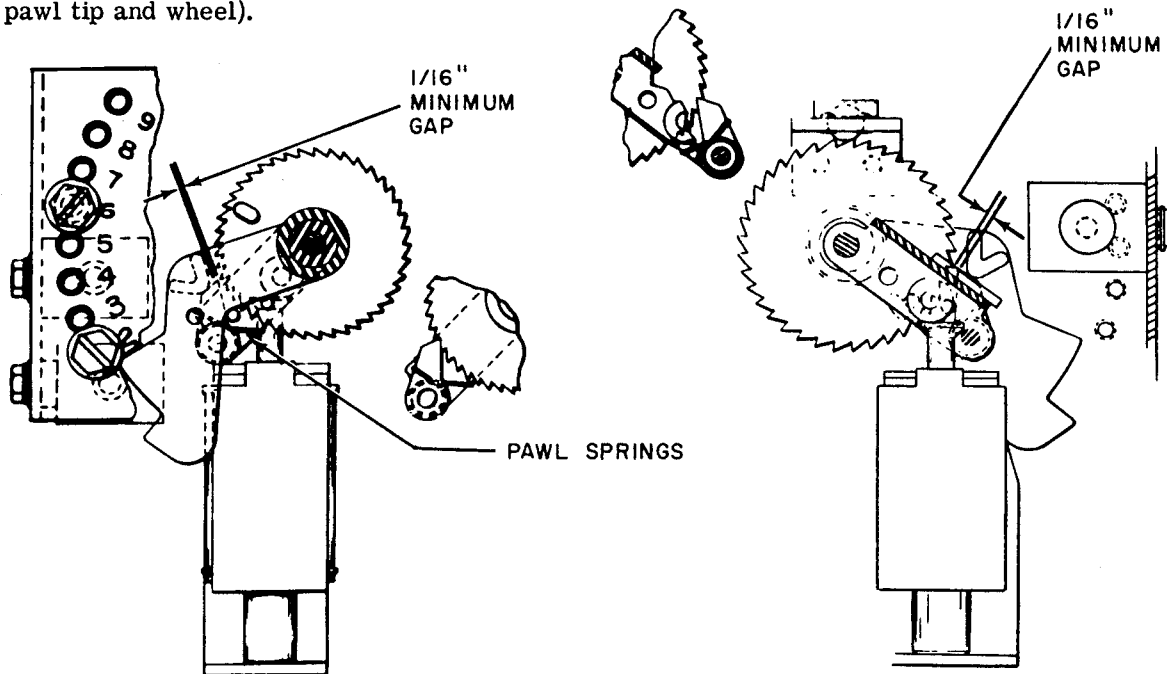
### Detent Bracket

- Loosen two screws holding detent bracket to credit unit back plate.
- Push credit or cancel coil plunger upward until corresponding stop arm strikes its stop screw or stop coil plunger.
- Adjust detent bracket until detent ball is seated between teeth. Check that there is no under travel.
- Tighten screws to secure bracket.



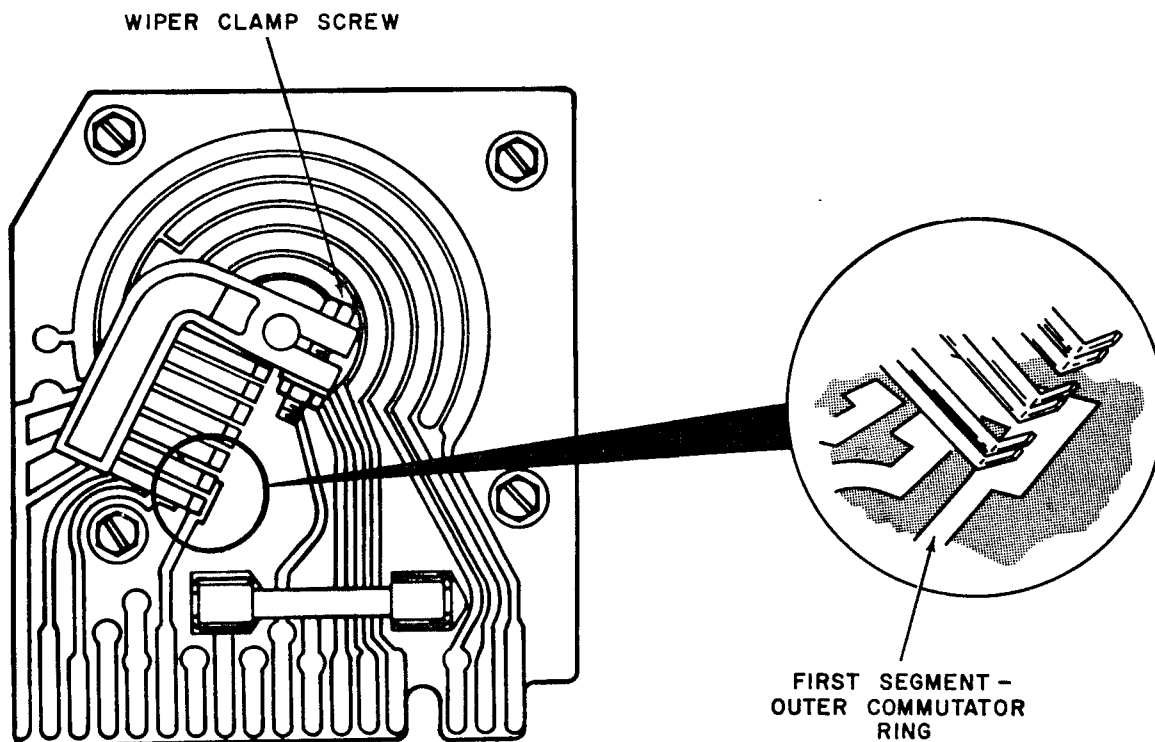
### Pawl Springs

- Check that pawl springs provide about 4 grams force between pawl tips and credit wheel when assembly has lifted far enough to permit engagement of pawl and wheel.
- Check that this force provides positive engagement and yet permits roller and bracket to return to rest position (1/16-inch minimum gap between pawl tip and wheel).



## Wiper Assembly

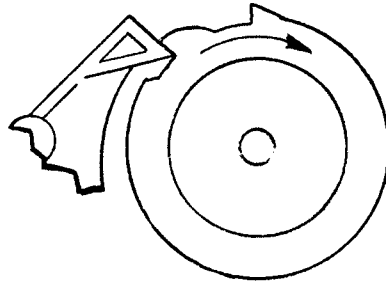
- a. Loosen wiper clamp screw and remove wiper assembly from shaft.
- b. Sight along profile of blades to make sure that all blade tips lie in the same plane (even with each other).
- c. Bend blades as required.
- d. Slide wiper assembly onto shaft with clamping screw just tight enough to hold it in position.
- e. Push wiper assembly down shaft until wipers just touch commutator board.
- f. Continue to slide wiper assembly about 1/16-inch more, until wiper is flush with end of shaft. Do not tighten screw.
- g. While holding credit unit in normal operating position, rotate credit wheel counterclockwise as far as it will go. This is home position.
- h. Rotate wiper assembly on shaft until blade heels line up with first segment leading edge as shown.
- i. Check wiper force again as in step f.
- j. Tighten wiper clamp screw to hold wiper assembly in this position.
- k. Check wipers for tracking on their respective commutator rings.



## LATCH BAR STOPS ADJUSTMENTS

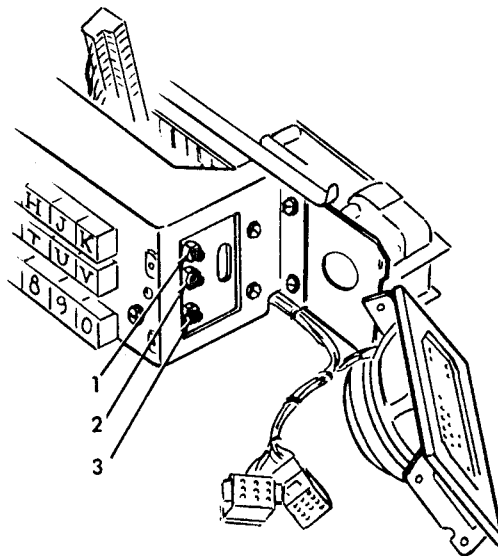
### Set Gear Motor Cam to Credit Position

- a. Rotate gear motor gears until cam is in credit position.



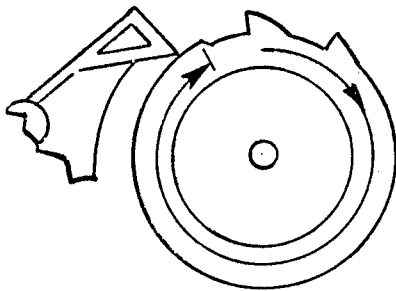
### Adjust Latch Bar Stops

- a. Remove right-hand speaker from selector assembly.
- b. Turn in setscrew 1 until letter buttons do not latch (just misses latching).
- c. Back out setscrew 1-1/2 turns.
- d. Repeat steps b and c for setscrews 2 and 3. Setscrew 3 adjusts number button latching.
- e. Check buttons for latching and releasing by pushing buttons one at a time. Any letter button should release any other latched letter button. Any number button should release any other latched number button.

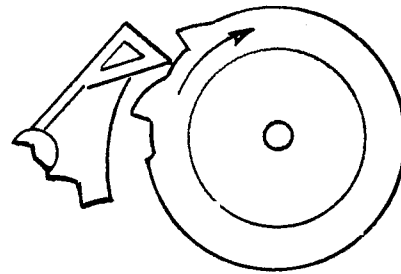


## Check Pushbuttons with Gear Motor Cam in Run and Standby Positions

- a. Rotate gear motor gears until cam is in run position.
- b. Check that pushbuttons are locked out.
- c. Rotate gear motor gears until cam is in standby position.
- d. Check that pushbuttons can be pressed in but do not latch.



RUN POSITION

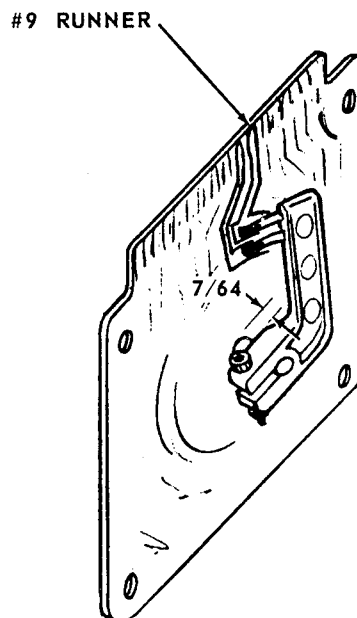


STANDBY POSITION

## GEAR MOTOR WIPER ARM ADJUSTMENT

### Adjust Wiper

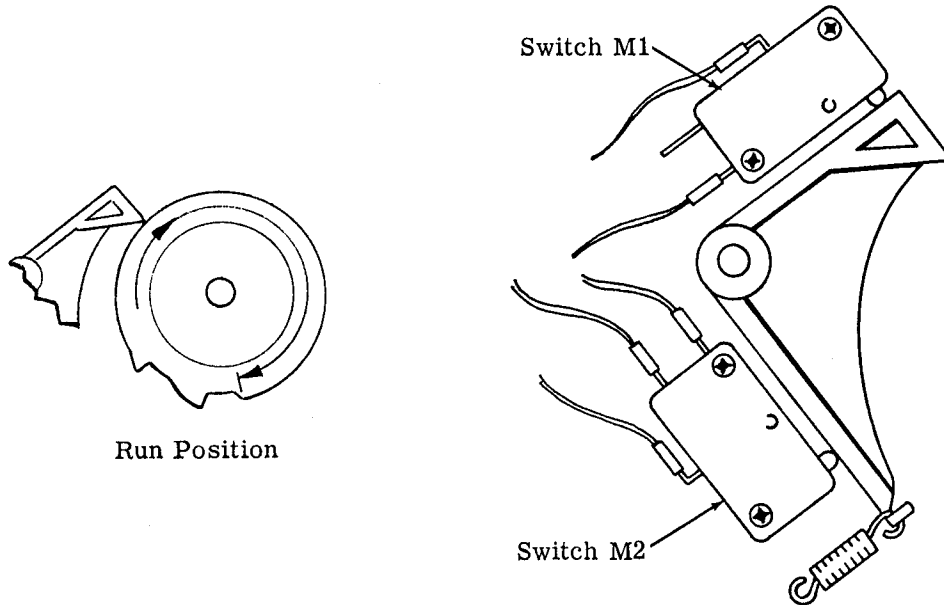
- a. Set cam to credit position, and hold cam follower tight against flat.
- b. Using an allen wrench, loosen wiper arm setscrew.
- c. Set wiper arm blades to a position midway between start of segment 9 and runner 9 on commutator circuit board as shown.
- d. Set spacing between wiper arm and circuit board surface at  $7/64$ -inch.
- e. Tighten setscrew.



## SWITCHES M1 AND M2 ADJUSTMENT

### Adjust Switches

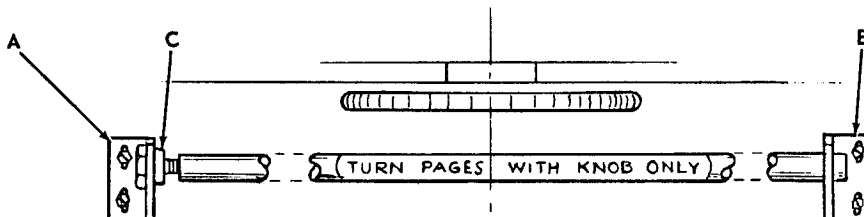
- a. Set cam to run position.
- b. Loosen phillips screws on switch M1 and move switch toward switch lever until switch button contacts lever but is not depressed.
- c. Tighten screws.
- d. Repeat steps b and c for switch M2.
- e. Check switch adjustment by rotating cam in clockwise direction. Both switches should operate halfway up their respective cam lobes.



## TITLE PAGE ASSEMBLY ADJUSTMENT

### Adjust Page Assembly

- a. Adjust page holders A and B for height and square page assembly with top casting.
- b. Adjust screw C to center page assembly on top casting projection.
- c. Check that all pages turn freely and return to rest from approximately 30-degrees open.
- d. If pages bind, lower page assembly slightly.

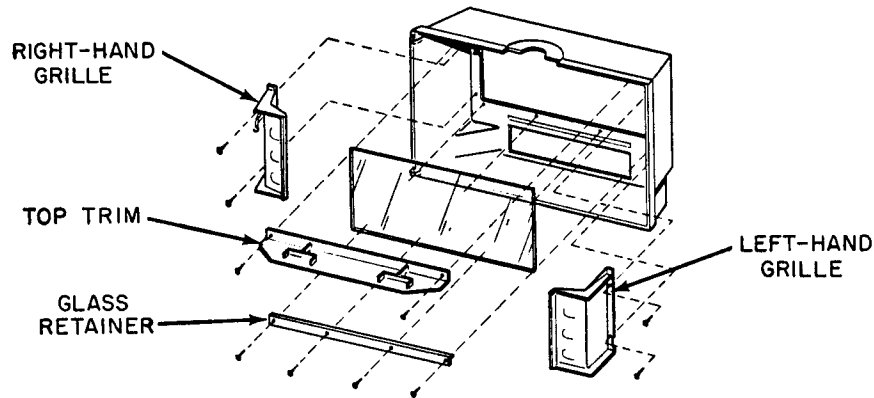


## REPAIR AND REPLACEMENT

Most of the repair and replacement procedures for the Walette are of an obvious nature. Table 5-9 is provided to aid service personnel in repairing and replacing parts that require additional information.

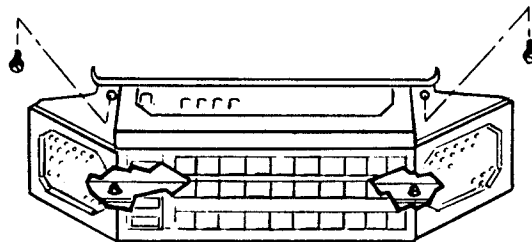
### Replace Glass Window

- a. Remove front housing and lay, face down, on a flat surface.
- b. Remove left-hand and right-hand grilles, top trim, and glass retainer.
- c. Remove damaged glass and install replacement glass.
- d. Clean glass slivers from cabinet interior and components.
- e. Assemble and install front housing.



### Remove Selector Assembly

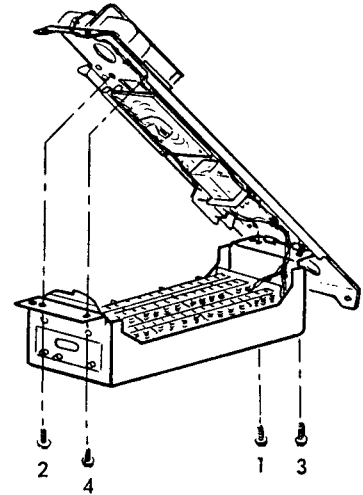
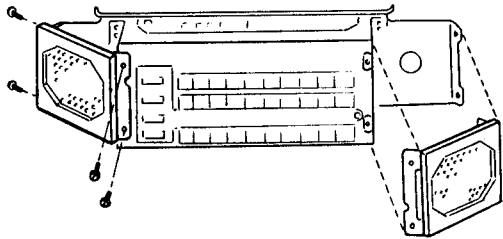
- a. Disconnect two electrical connectors.
- b. Remove two screws as shown. Selector assembly will tip down but will not fall out.
- c. Lift assembly off pins and remove.





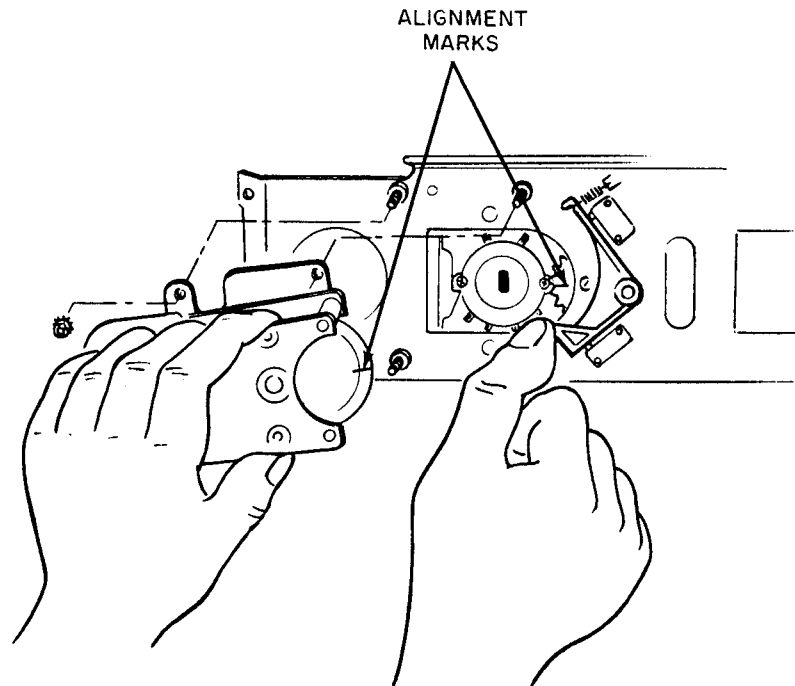
## Disassemble Selector Assembly

- a. Remove speakers as shown.
- b. Remove four screws and open selector assembly at hinge side.
- c. To reassemble, rotate latch bar cam away from cam follower.
- d. Install all four screws finger-tight, then tighten with socket wrench in sequence 1, 2, 3, 4. This aligns buttons automatically in correct position to front housing.



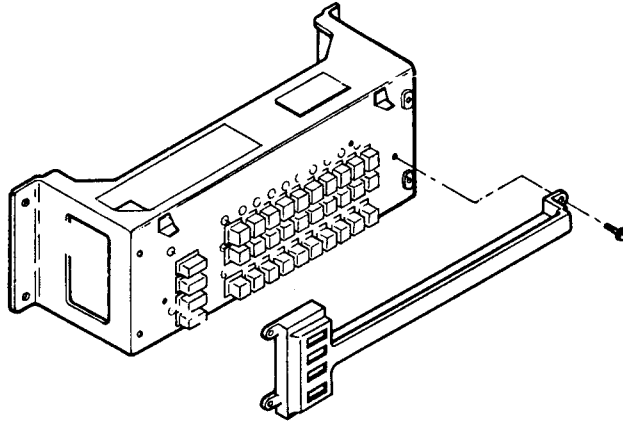
## Remove Motor and Gear Box

- a. Remove four locknuts, as shown, and lift motor assembly off threaded studs.
- b. Remove snap ring from shaft, and lift off cam.
- c. To reassemble, place cam on shaft and rotate until grooved shoulder centers over roll pin.
- d. To install motor in selector assembly, line up marks on cam and idler gear (wiper need not be adjusted).
- e. Line up wafer switch with motor shaft. Align wafer switch flats with motor shaft and notch in switch flat toward bottom of selector.
- f. Hold switch lever clear of cam, and carefully install motor assembly onto threaded studs until seated.
- g. Replace and tighten locknuts.
- e. Re-check wiper alignment.



## Replace Selector Pushbuttons or Install Blocking Kit

- a. Remove pushbutton trim by removing three screws.
- b. Pull pushbutton straight off switch shaft.
- c. Install blocking spacer over shaft and replace pushbutton.
- d. Assemble pushbutton trim.



# SECTION 6 - PARTS CATALOG

## INTRODUCTION

This parts catalog contains a list of replacement parts for the Walette that are available from Rowe Distributors. Each list contains the index number of the part, the part number, and a description. Separate parts of riveted or welded assemblies are not available from the factory as replacement parts.

## PARTS BREAKDOWN

Each table in the Parts Breakdown contains three columns. Following is a description of each column in the order of appearance on the Parts Breakdown tables.

### Fig. and Index No.

This column lists the figure number as the first entry on each page. An index number keys the part to the figure.

### Part No.

This column lists the part number of the item that should be used when ordering.

### Description

This column gives the name of the assembly or part.

### Qty. Per Ass'y.

This column contains the exact quantity of the item required for its next higher assembly.

## ORDERING PARTS

All parts must be ordered from an authorized Rowe Distributor. Parts orders are often delayed because of inadequate or incomplete ordering information. Be sure to include all required information which consists of:

1. Part Number and Description exactly as it appears in the Parts Catalog. State color if applicable.
2. Quantity being ordered.
3. Model and Serial Number of Walette for which the part is required. This is necessary because of manufacturing changes.
4. Complete shipping address including ZIP code.
5. Specify shipping instructions. If the shipping method selected is Parcel Post, Air Parcel Post, United Parcel Service, or Air UPS, indicate an alternate shipping method if the packages may exceed the size and weight limits established by these services.

## TABLE OF CONTENTS

INTRODUCTION	33	
PARTS BREAKDOWN	33	
ORDERING PARTS	33	
ILLUSTRATED PARTS BREAKDOWN	34	
FIGURE	TITLE	PAGE
1	Wall Console Assembly	34
2	Credit Unit Assembly	38
3	Page Holder Assembly	40
4	Selector Assembly	42
5	Selector Harness Assembly	44
6	Front Assembly	46
STANDARD HARDWARE LIST	47/48	

# Wall Console Assembly, Sheet 1

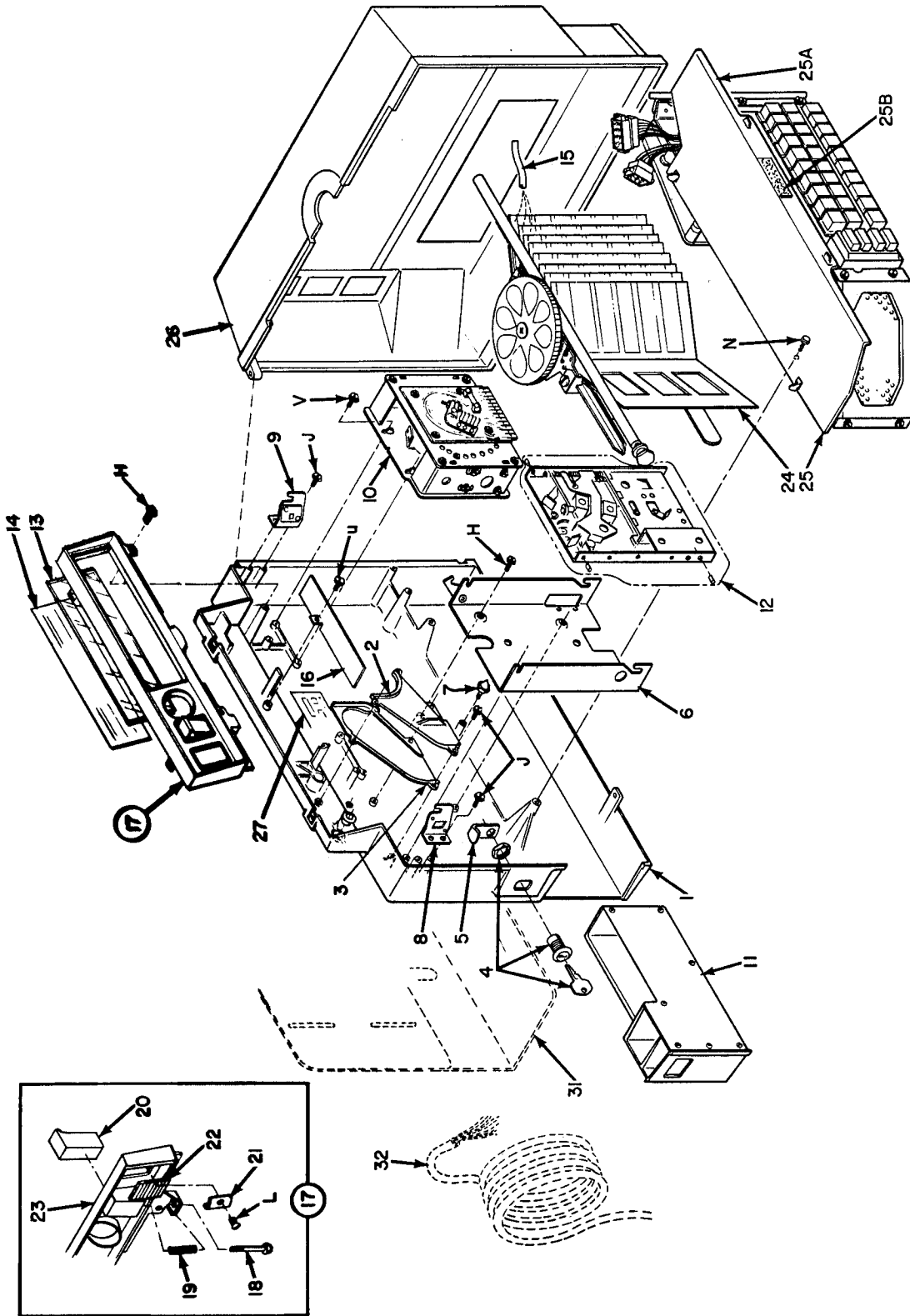


FIG. AND INDEX No.	ROWE PART No.	DESCRIPTION	QTY. PER ASS'Y	
			WRA	WRC
1-	601-03400	Wall Console Assembly, Model WRA		
1-	603-03400	Wall Console Assembly, Model WRC		
1	301-05742	. Back Housing and Pin Assembly	1	1
2	300-05707	. Coin Chute, Top	1	1
3	300-05719	. Coin Chute, Bottom (25¢)	1	
	300-05708	. Coin Chute, Bottom (50¢)		1
4	708-01620	. Lock, Individual Keying	1	1
5	200-12872	. Bolt, Lock	1	1
	707-01660	. Bolt, Lock, Straight	1	1
6	301-05743	. Bracket and Lock Assembly, Rejector	1	1
7	200-12728	. Stud	1	1
8	200-12733	. Bracket, Title Page (L.H.)	1	1
9	201-12803	. Bracket and Contact Assembly (R.H.)	1	1
10	606-03300	. Credit Unit Assembly ( See Figure 2)	1	
	604-03300	. Credit Unit Assembly ( See Figure 2)		1
	602-03300	. Credit Unit Assembly	ALT	
11	301-05739	. Cash Box Assembly	1	1
12	400-00277	. Slug Rejector and Stud Assembly (5¢, 10¢, 25¢)	1	
	400-05470	. Slug Rejector and Stud Assembly (5¢, 10¢, 25¢, 50¢)		1
	400-05476	. Slug Rejector (5¢, 10¢, 25¢, 50¢)		ALT
13	200-12743	. Window, Program	1	1
14	301-05724	. Panel, Program	1	
	300-65266	. Panel, Program	1	
	303-05724	. Panel, Program		1
	300-65232	. Panel, Program		1
	201-12837	. Accessories Bag Assembly Containing:	1	1
	200-12847	. . Instructions, Installation, Mechanical		
	200-12870	. . Instructions, Installation, Electrical		
15		. . The Following Classifiers, 1 Each		
	201-12762	Discotheque 210-12762 Rhythm and Blues		
	202-12762	Popular 211-12762 Yesteryear's Favorites		
	203-12762	Country 212-12762 Jazz		
	204-12762	Western 214-12762 Top Female Vocalists		
	205-12762	Country and Western 216-12762 Top Male Vocalists		
	206-12762	Polka 218-12762 Swingin' Groups		
	207-12762	Hot Singles 219-12762 Stereo		
	208-12762	Top LP's		
16	200-12802	. Reflector	1	1
17	301-05741	. Coin Inlet Assembly	1	1
18	200-12716	. . Shaft, Reject Button	1	1
19	200-12761	. . Spring, Compression	1	1
20	200-12715	. . Button, Reject	1	1
21	200-12717	. . Bracket, Retaining	2	2
22	200-12753	. . Window, Service	1	1
23	301-05740	. . Coin Inlet and Pin Assembly	1	1
24	601-03408	. Page Holder Assembly ( See Figure 3)	1	1
25	601-03406	. Selector Assembly (See Figure 4)	1	1
25A	300-05715	. Shelf	1	1
25B	704-02119	. Rubber Sponge	1	1
26	601-03407	. Front Assembly (See Figure 6)	1	1
27	701-03412	. Nameplate, WRA	1	
	703-03412	. Nameplate, WRC		1
OPTIONAL EQUIPMENT				
30	201-65490	. Personalization Kit (Not Shown)		
31	201-12796	. Bar Mount Assembly		
32	Spec 5054	. Cable, 12 Conductor		

**FIGURE 1**

# Wall Console Assembly, Sheet 2

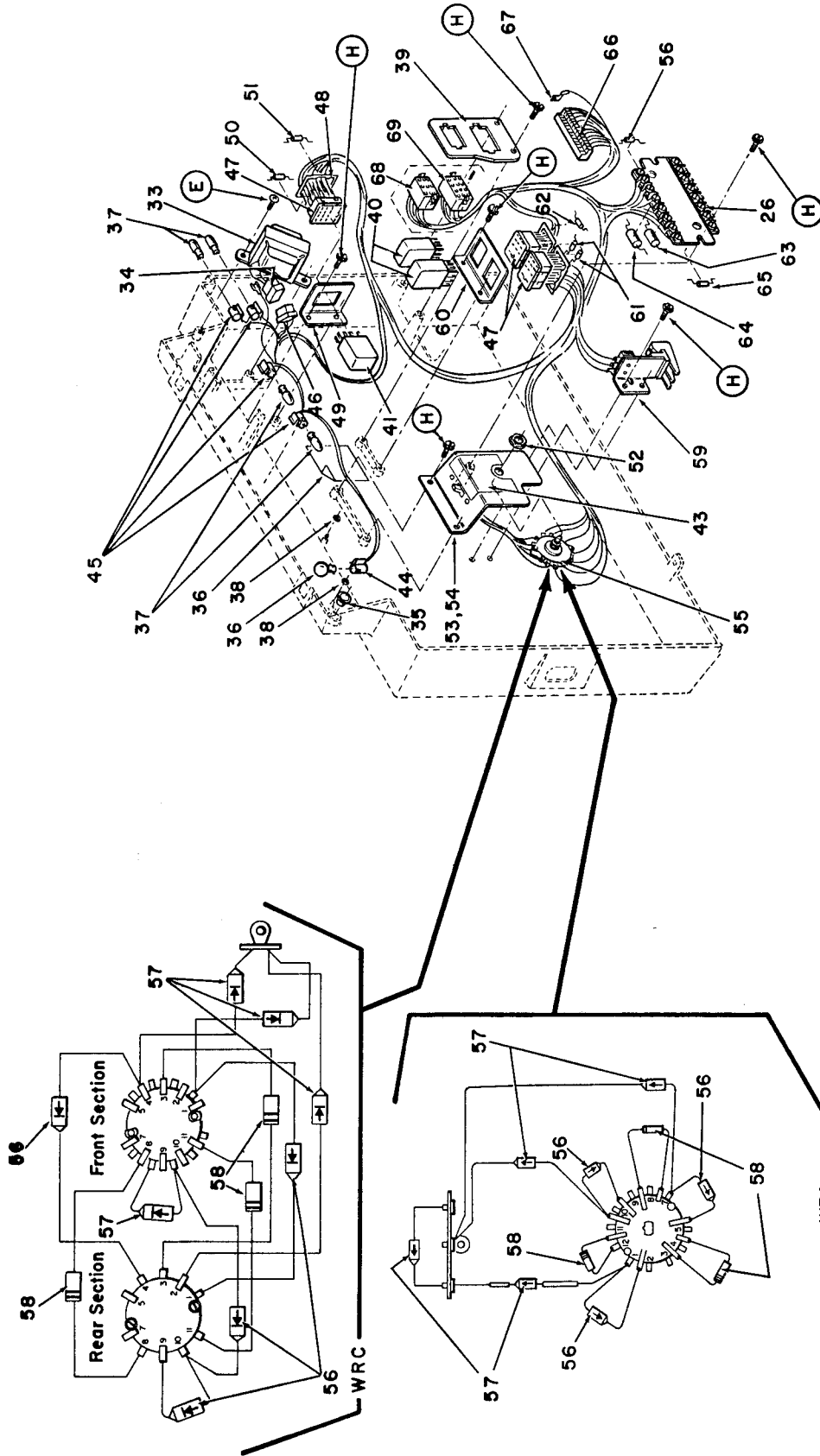


FIG. AND INDEX No.	ROWE PART No.	DESCRIPTION	QTY. PER ASS'Y	
			WRA	WRC
1-	601-03400	Wall Console Assembly, Model WRA (Continued)		
1-	603-03400	Wall Console Assembly, Model WRC (Continued)		
33	201-12843	. Transformer Assembly	1	1
	706-00926	. . Contact, Pin	3	3
	300-05729	. . Transformer	1	1
34	201-12845	. Housing, Pin	1	1
35	200-12814	. Lens, Service	1	1
36	200-12867	. Light, Service	1	1
37	200-02232	. Light, Pilot	4	4
38	200-12815	. Speednut	4	4
39	200-12781	. Bracket, Receptacle	1	1
40	200-12751	. Relay (K4; K6)	2	2
41	200-12751	. Relay, Bonus (K5)		OPT
42	200-12833	. Label, Relays	1	
	200-12850	. Label, Relays		1
43	200-12829	. Label, Credit and Bonus Relay Switches	1	
	200-12880	. Label, Credit Price Switch		1
	601-03410	. Harness Assembly	1	
	603-03410	. Harness Assembly		1
44	200-12784	. . Socket, Service Lamp	1	1
45	200-12785	. . Socket, Lamp	4	4
46	201-12844	. . Housing, Socket (3 Circuit)	1	1
47	200-10474	. . Socket, Relay	2	3
48	200-10475	. . Retainer, Socket	2	3
49	200-12790	. . Bracket, Mounting, Bonus Relay		1
50	703-00350	. . Diode, Silicon		1
51	716-00105	. . Resistor, Carbon, 100 ohms, 2 Watt		1
52	200-02649	. . Palnut	1	1
53	201-12798	. . Bracket and Slide Switch Assembly	1	
	201-12891	. . Bracket and Terminal Assembly		1
54	200-12878	. . Insulator, Price Switch Bracket		1
55	200-12742	. . Switch, Price	1	
	300-05753	. . Switch, Price		1
56	704-00350	. . Diode, Silicon	4	5
57	702-00350	. . Diode, Silicon	4	4
58	703-00350	. . Diode, Silicon	3	3
59	304-05745	. . Coin Switch Assembly	1	
	303-05745	. . Coin Switch Assembly		1
60	200-12746	. . Bracket, Relay Mounting	1	1
61	705-00350	. . Diode, Silicon	2	2
62	706-00350	. . Diode, Silicon	1	1
63	710-00233	. . Capacitor, Electrolytic, 1250 MFD, 50V	1	1
64	712-00231	. . Capacitor, Electrolytic, 100 MFD, 50V	1	1
65	722-00102	. . Resistor, Carbon, 100 Ohm, 1/2 Watt	1	1
66	204-11575	. . Connector, Edge	1	
	206-11575	. . Connector, Edge		1
67	701-00925	. . Terminal, Flag	14	16
68	203-12844	. . Housing, Socket ( 9 Circuit)	1	1
69	204-12844	. . Housing, Socket ( 12 Circuit)	1	1

# Credit Unit Assembly

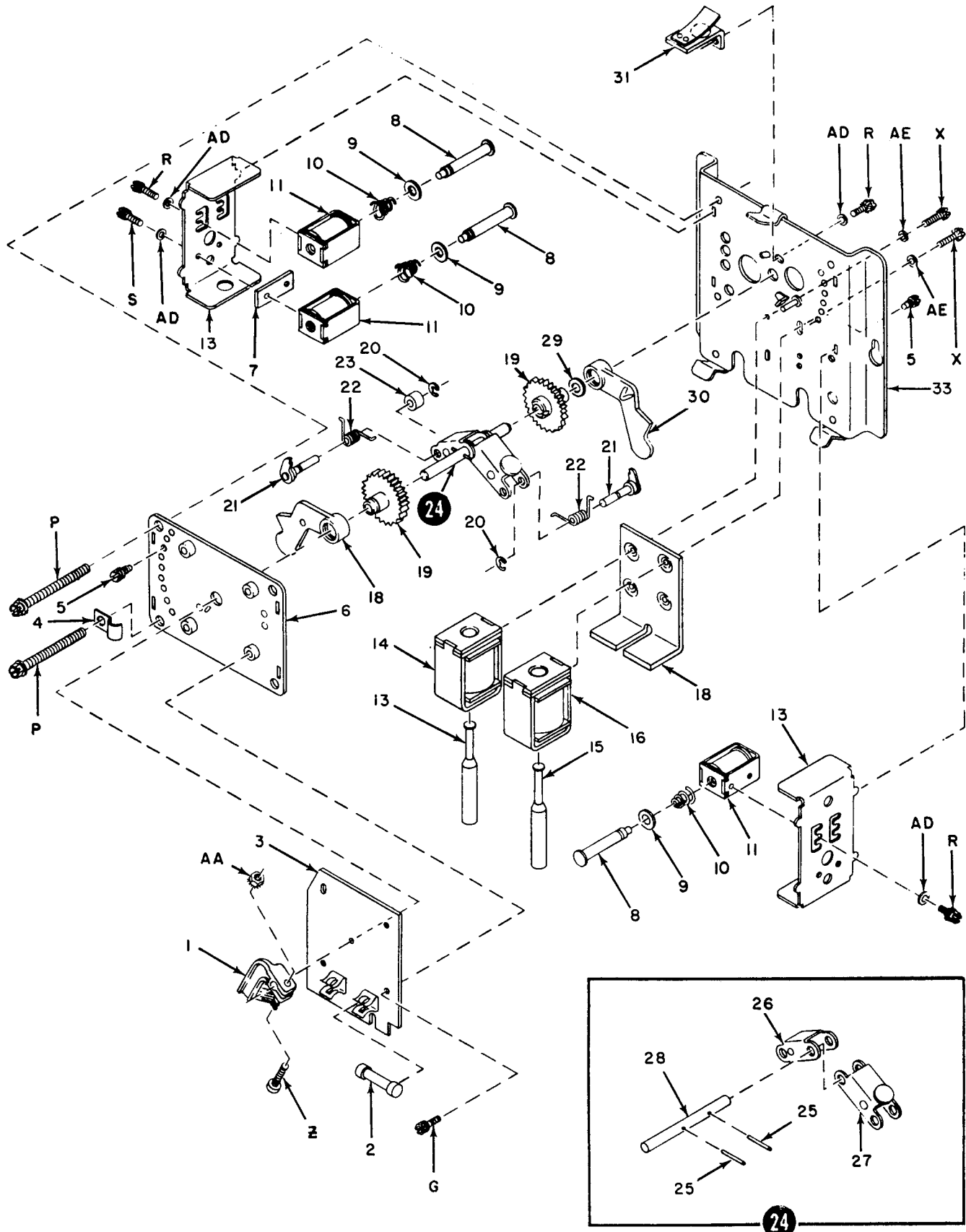




FIG. AND INDEX No.	ROWE PART No.	DESCRIPTION	QTY. PER ASS'Y	
			WRA	WRC
2-	606-03300	Credit Unit Assembly (WRA) (Figure 1, Item 10)	REF	
2-	604-03300	Credit Unit Assembly (WRC) (Figure 1, Item 10)		REF
1	301-05574	. Wiper Assembly	1	
	301-05832	. Wiper Assembly		1
2	703-00721	. Fuse, 0.6 Amp	1	1
3	301-05580	. Switch Circuit Assembly	1	
	302-05580	. Switch Circuit Assembly		1
4	200-00130	. Clip, Cable	1	1
5	200-07468	. Screw Stop	2	2
6	201-12056	. Front Plate Assembly	1	1
7	200-12060	. Plate, Spacer	1	1
8	201-12019	. Plunger Assembly	3	3
9	712-01207	. Washer, Flat, Fiber	3	3
10	200-11533	. Spring, Compression	3	3
11	201-12859	. Stop Solenoid Assembly	3	3
12	300-05575	. Frame, Side	2	2
13	201-07756	. Credit Plunger and Tip Assembly	1	1
14	204-11505	. Solenoid Assembly - Credit	1	1
15	202-07756	. Plunger and Tip Assembly (Cancel)	1	1
16	205-11505	. Solenoid Assembly - Cancel	1	1
17	200-12951	. Bracket, Solenoid	1	1
18	200-07484	. Arm, Stop (Credit)	1	1
19	200-12052	. Wheel, Ratchet	2	2
20	701-01430	. Ring, Retaining	2	2
21	201-12055	. Pawl and Shaft Assembly	2	2
22	200-12068	. Spring, Torsion	2	2
23	724-01215	. Spacer	1	1
24	202-12058	. Roller Bracket and Shaft Assembly	1	1
25	716-01130	. . Pin, Roll	2	2
26	201-11568	. . Bracket and Roller Assembly, Cancel	1	1
27	201-07825	. . Bracket and Roller Assembly, Credit	1	1
28	200-07467	. . Shaft	1	1
29	707-01216	. Spacer	AR	AR
30	200-12949	. Arm, Stop (Cancel)	1	1
31	201-07792	. Detent Assembly	1	1
32	201-12954	. Back Plate Assembly	1	1

**FIGURE  
3**

# Page Holder Assembly

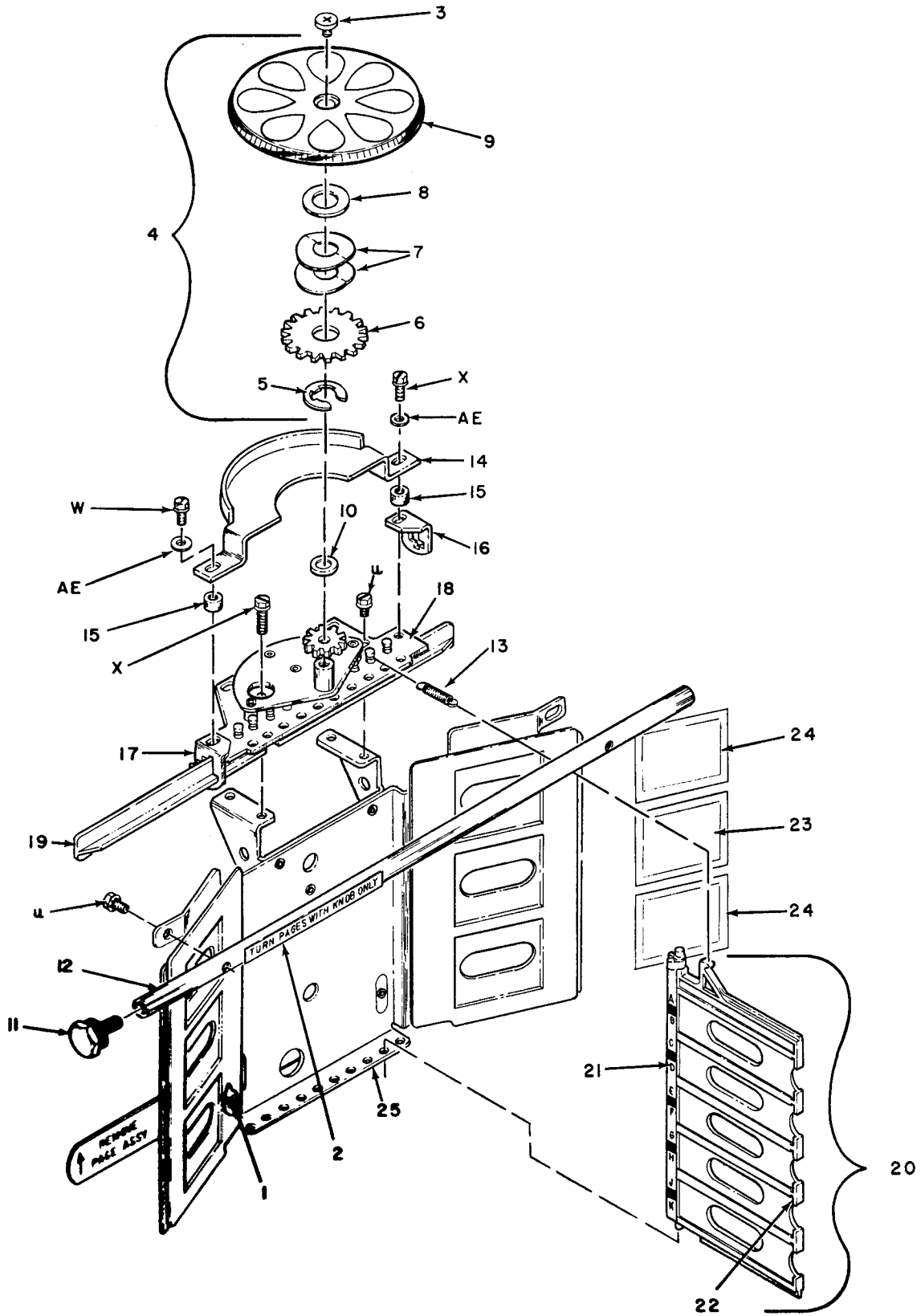
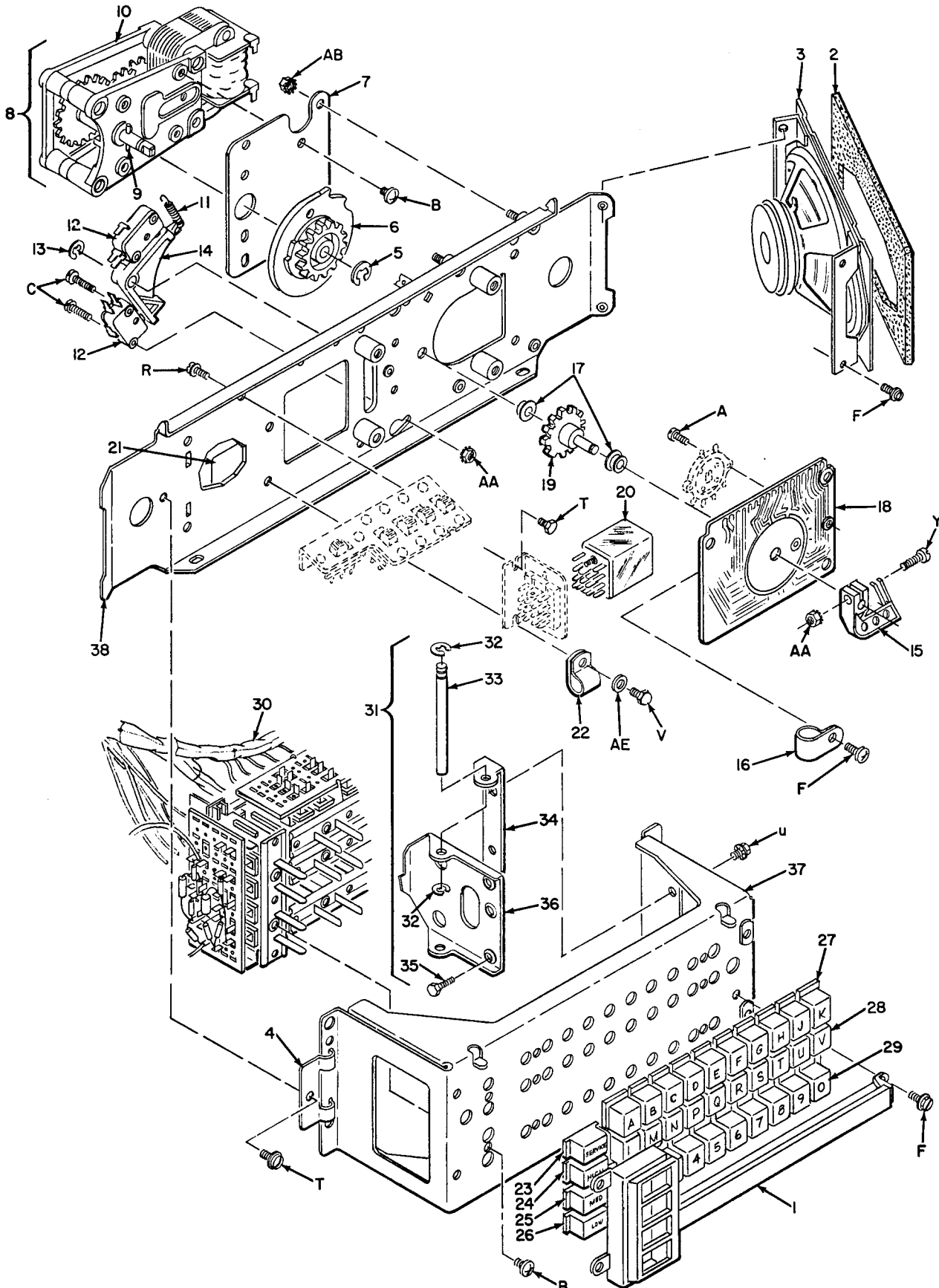


FIG. AND INDEX No.	ROWE PART No.	DESCRIPTION	QTY. PER ASSY
3-	601-03408	Page Holder Assembly (Figure 1, Item 24)	REF
1	200-12807	. Spring, Tension	1
2	200-12806	. Label, Caution	1
3	200-12706	. Screw, Knob	1
4	201-12795	. Knob and Gear Assembly	1
5	706-01430	. . Ring, Retaining	1
6	200-12708	. . Gear	1
7	200-12849	. . Washer, Bow	2
8	702-01208	. . Washer, Flat	1
9	401-05466	. . Knob	1
10	701-01208	. Washer, Flat, Teflon	1
11	200-12723	. Tip, Mounting Rod	1
12	200-12730	. Rod, Mounting	1
13	200-12789	. Spring, Tension	10
14	300-05754	. Guard, Anti-Cheat	1
15	711-01216	. Spacer	2
16	200-12712	. Stop, Rack (R.H.)	1
17	200-12711	. Stop Rack (L.H.)	1
18	301-05732	. Plate and Idler Gear Assembly	1
19	300-05713	. Rack	1
20	301-05733 to 311-05733	. Page Assemblies (A1-V1 to A0-V0)	1 EA
21		. . Includes the Following Number Strips	1 EA
	301-05731	A1 to K1	
	302-05731	L1 to V1	
	303-05731	A2 to K2	
	304-05731	L2 to V2	
	305-05731	A3 to K3	
	306-05731	L3 to V3	
	307-05731	A4 to K4	
	308-05731	L4 to V4	
	310-05731	A5 to K5	
	311-05731	L5 to V5	
	312-05731	A6 to K6	
	314-05731	L6 to V6	
	316-05731	A7 to K7	
	318-05731	L7 to V7	
	319-05731	A8 to K8	
	320-05731	L8 to V8	
	321-05731	A9 to K9	
	322-05731	L9 to V9	
	323-05731	A0 to K0	
	324-05731	L0 to V0	
22	400-05459	. . Page, Title	10
23	200-12826	. Insert, Miniature Album	2
24	200-12835	. Insert, Miniature Album	4
25	301-05735	. Page Holder and Latch Assembly	1

**FIGURE**  
**4**

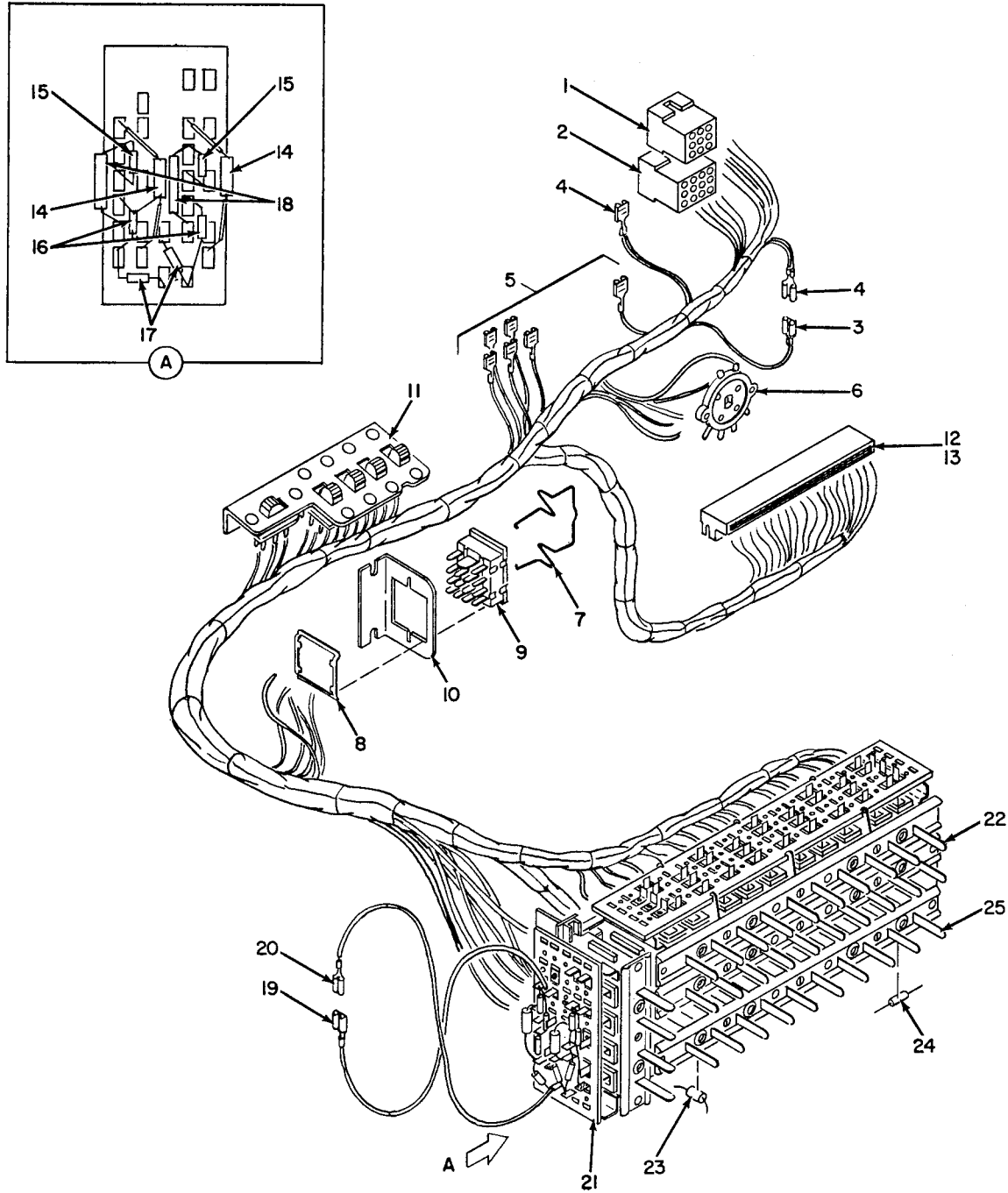
# Selector Assembly



<b>FIG. AND INDEX No.</b>	<b>ROWE PART No.</b>	<b>DESCRIPTION</b>	<b>QTY. PER ASS'Y</b>
4-	601-03406	Selector Assembly (Figure 1, Item 25)	REF
1	400-05452	. Trim, Pushbutton	1
2	200-12794	. Gasket, Speaker	2
3	301-05730	. Speaker Assembly	2
4	200-12822	. Hinge	1
5	704-01430	. Ring, Retaining	1
6	300-05718	. Cam	1
7	200-12818	. Plate, Mounting, Motor	1
8	201-12769	. Motor and Pin Assembly	1
9	706-01131	. . Pin, Roll	1
10	400-05464	. . Motor	1
11	200-12804	. Spring	1
12	200-12875	. Switch	2
13	703-01430	. Ring, Retaining	1
14	300-05746	. Lever Cam	1
15	301-05718	. Wiper Assembly	1
16	705-00931	. Clamp, Cable	1
17	703-01460	. Bearing	2
18	201-12821	. Commutator Circuit Assembly	1
19	201-12765	. Gear and Shaft Assembly	1
20	201-12353	. Relay	1
21	200-12836	. Label, Speaker Relay	1
22	703-00931	. Clamp, Cable	1
23	301-05704	. Pushbutton (High)	1
24	302-05704	. Pushbutton (Med.)	1
25	303-05704	. Pushbutton (Low)	1
26	304-05704	. Pushbutton (Service)	1
27	301-05701 to 311-05701	. Pushbutton (Letters A to K)	1 EA
28	301-05702 to 311-05702	. Pushbutton (Letters L to V)	1 EA
29	301-05703 to 311-05703	. Pushbutton (Numbers 1 to 0)	1 EA
30	601-03411	. Harness Assembly - Selector ( See Figure 5)	1
31	201-12760	. Latch Lever Assembly	1
32	703-01430	. . Ring, Retaining	2
33	200-12738	. . Shaft, Lever	1
34	200-12718	. . Bracket, Mounting, Lever	1
35	200-03822	. . Screw, Adjusting	3
36	201-12763	. . Lever and Nut Assembly	1
37	301-05747	. Frame and Nut Assembly	1
38	401-05468	. Back Plate Assembly	1

**FIGURE**  
**5**

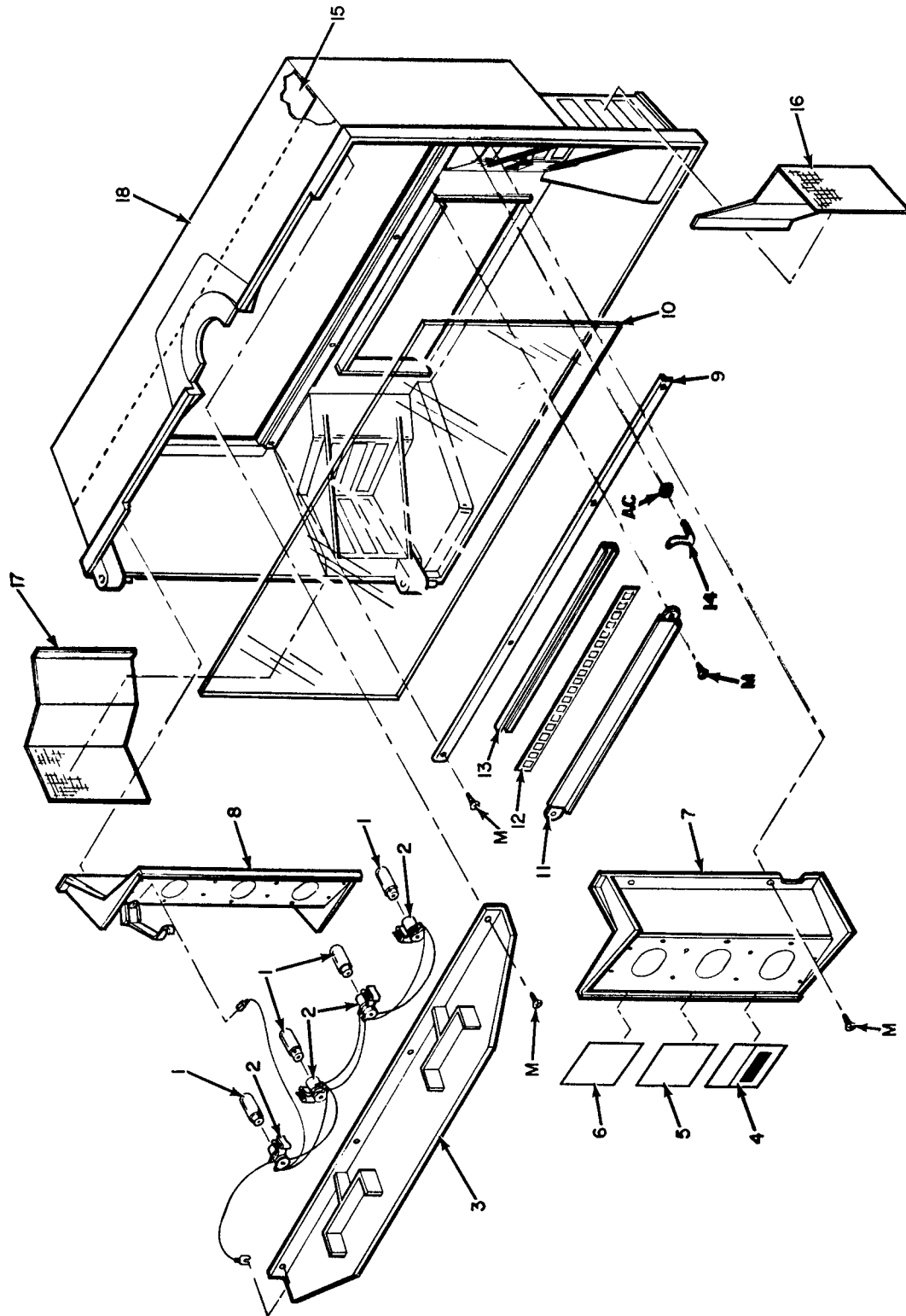
# Selector Harness Assembly



<b>FIG. AND INDEX No.</b>	<b>ROWE PART No.</b>	<b>DESCRIPTION</b>	<b>QTY. PER ASS'Y</b>
5-	601-03411	Harness Assembly -- Selector (Figure 4, Item 30)	REF
1	203-12845	. Housing, Pin (9 Circuit)	1
2	204-12845	. Housing, Pin (12 Circuit)	1
3	719-00913	. Terminal, Slip-on	1
4	702-00913	. Terminal, Slip-on	2
5	714-00913	. Terminal, Slip-on	6
6	200-12791	. Switch, Wafer	1
7	200-12869	. Spring, Relay	1
8	200-10475	. Retainer, Socket	1
9	200-10474	. Socket, Relay	1
10	200-12783	. Bracket, Mounting, Relay	1
11	201-12771	. Slide Switch Assembly	1
12	701-00925	. Terminal, Flag	22
13	207-11575	. Connector, Edge	1
14	719-00107	. Resistor, Carbon, 330 Ohms, 1/2 W	2
15	724-00107	. Resistor, Carbon, 22 Ohms, 1/2 W	2
16	716-00109	. Resistor, Carbon, 33Ohms, 1/2 W	2
17	702-00120	. Resistor, Carbon, 15 Ohms, 1/2 W	2
18	708-00108	. Resistor, Carbon, 33 Ohms, 1 W	2
19	201-12828	. Jumper Assembly	1
20	202-12828	. Jumper Assembly	1
21	300-05752	. Switch, Push button, Volume Control	1
22	400-05450	. Switch, Pushbutton, Letter	1
23	200-11145	. Rectifier, Silicon	1
24	703-00350	. Diode, Silicon, 1N457A	1
25	300-05700	. Switch, Pushbutton, Number	1

FIGURE  
6

# Front Assembly





<b>FIG. AND INDEX No.</b>	<b>ROWE PART No.</b>	<b>DESCRIPTION</b>	<b>QTY. PER ASSY</b>
6-	601-03407	Front Assembly (Figure 1, Item 26)	REF
1	200-02232	. Light, Pilot	4
	301-05744	. Light Harness Assembly	1
2	200-12787	. . Socket, Light (Front Door)	4
3	400-05462	. Trim, Top	1
4	200-12857	. Insert, Miniature Album	1
5	200-12835	. Insert, Miniature Album	2
6	200-12826	. Insert, Miniature Album	3
7	201-12792	. Plate and Trim Assembly (L.H.)	1
8	201-12793	. Plate and Trim Assembly (R.H.)	1
9	200-12735	. Retainer, Glass	1
10	300-05721	. Window	1
11	300-05720	. Plate, Back, Personalization	1
12	200-12834	. Insert, Personalization	1
13	200-12741	. Window, Personalization	1
14	200-12873	. Strike, Lock	1
15	200-12848	. Reflector	1
16	300-05725	. Grille (L.H.)	1
17	300-05726	. Grille (R.H.)	1
18	301-05737	. Front Housing and Pin Assembly	1

# Standard Hardware List

CODE	PART NO.	DESCRIPTION
A	80341605	Screw, Machine, Pan. Hd., Phil. Sl. #4-40 x 5/16
B	80343004	Screw, Machine, Pan. Hd., Phil. Sl. #8-32 x 1/4
C	80351610	Screw, Machine, Round Hd., Phil. Sl., #4-40 x 5/8
D	80353004	Screw, Machine, Round Hd., Phil. Sl., #8-32 x 1/4
E	80382304	Screw, Machine, Round Hd., Phil. Sl., Swage Form #6-32 x 1/4
F	80432306	Screw, Machine, Hex Wr. Hd., Swage Form #6-32 x 3/8
G	80433004	Screw, Machine, Hex Wr. Hd., Swage Form #8-32 x 1/4
H	80433005	Screw, Machine, Hex Wr. Hd., Swage Form #8-32 x 5/16
J	80433006	Screw, Machine, Hex Wr. Hd., Swage Form #8-32 x 3/8
K	80524404	Screw, Machine, Truss Hd., Phil. Sl., Sems, #10-32 x 1/4
L	80542303	Screw, Machine, Round Hd., Phil. Sl., Sems, #6-32 x 3/16
M	80542304	Screw, Machine, Round Hd., Phil. Sl., Sems, #8-32 x 3/8
N	80543006	Screw, Machine, Round Hd., Phil. Sl., Sems, #8-32 x 3/8
P	80714432	Screw, Machine, Hex Wr. Hd., Sems, #10-32 x 2
Q	80732303	Screw, Machine, Hex Wr. Hd., Sems, #6-32 x 3/16
R	80732304	Screw, Machine, Hex Wr. Hd., Sems, #6-32 x 1/4
S	80732306	Screw, Machine, Hex Wr. Hd., Sems, #6-32 x 3/8
T	80733003	Screw, Machine, Hex Wr. Hd., Sems, #8-32 x 3/16
U	80733004	Screw, Machine, Hex Wr. Hd., Sems, #8-32 x 1/4
V	80733005	Screw, Machine, Hex Wr. Hd., Sems, #8-32 x 5/16
W	80733006	Screw, Machine, Hex Wr. Hd., Sems, #8-32 x 3/8
X	80733008	Screw, Machine, Hex Wr. Hd., Sems, #8-32 x 1/2
Y	80751608	Screw, Cap, Socket Hd., #4-40 x 1/2
Z	80751610	Screw, Cap, Socket Hd., #4-40 x 5/8
AA	87841600	Nut, Hex, Keps, #4-40
AB	87843000	Nut, Hex, Keps, #8-32
AC	87844400	Nut, Hex, Keps, #10-32
AD	88932300	Washer, Flat, #6
AE	88933000	Washer, Flat, #6