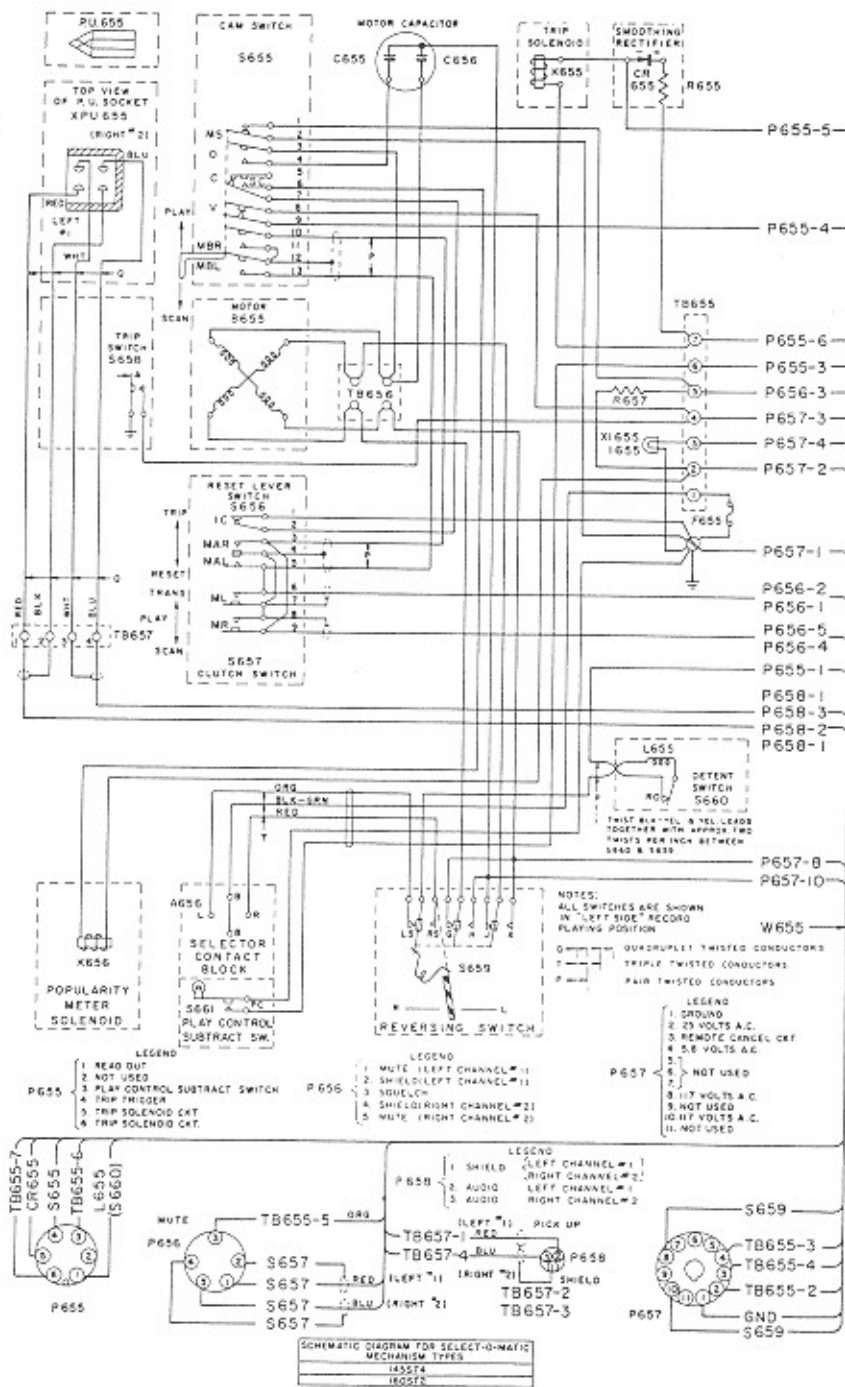


SELECT-O-MATIC MECHANISM

PARTS LIST

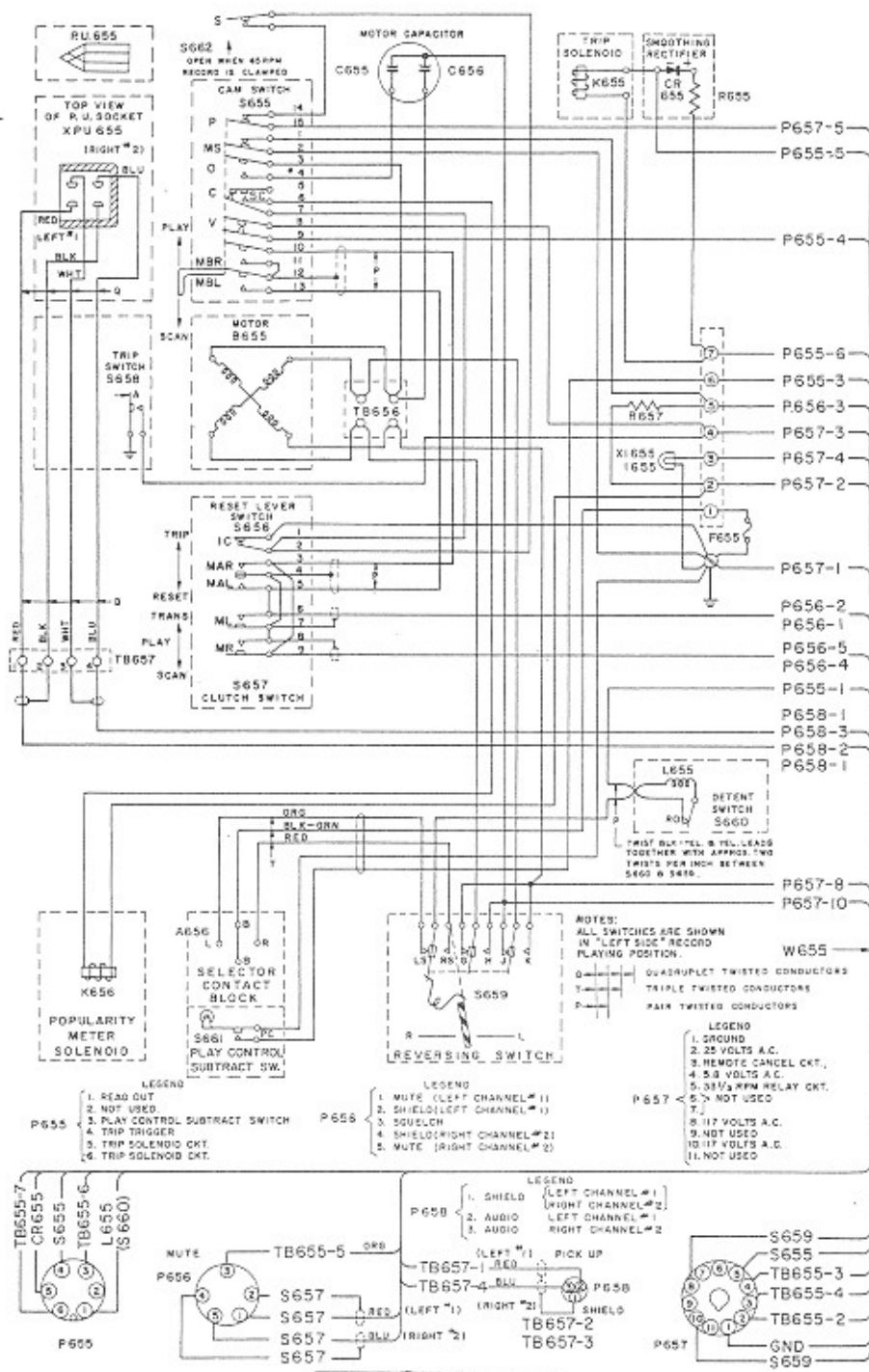
Item	Part No.	Part Name
A656	249148	Contact Block
B655	250251	Motor Assembly
C655	86321	(1.4 MFD)
C656		Motor Capacitor (1.0 MFD)
CR655	247843	Selenium Rectifier
F655	247850	Fuse - 5 Amp.
I655	249198	Indicator Lamp
K655	247510	Trip Solenoid
K656	249122	Pop. Meter Solenoid
L655	303702	Choke, 100 μ h
P655	65319	Six Prong Plug
P656	F200241	Five Prong Plug
P657	250942	Eleven Prong Plug
P658	250938	Three Prong Plug
PU655	249730	Magnetic Pickup
R655	82413	120 OHM, $\frac{1}{2}$ W. \pm 10% Resistor
R657	82752	2,200 OHM, 1 W. \pm 10% Resistor
S655	249938	Cam Switch
S656	249939	Reset Lever Switch
S657		Clutch Switch
S658	245816	Trip Switch
S659	247846	Reversing Switch
S660	249235	Detent Switch
S661	248127	Play Control Subtract Switch
TB655	305112	Terminal Strip
TB656	245909	Motor Terminal Strip
TB657	245755	Terminal Strip
XI655	249193	Lamp Socket
XPU655	249727	PU Cartridge Socket
W655	249941	Control Cable



Schematic of Mechanism With Stereo Pickup

SELECT-O-MATIC MECHANISM

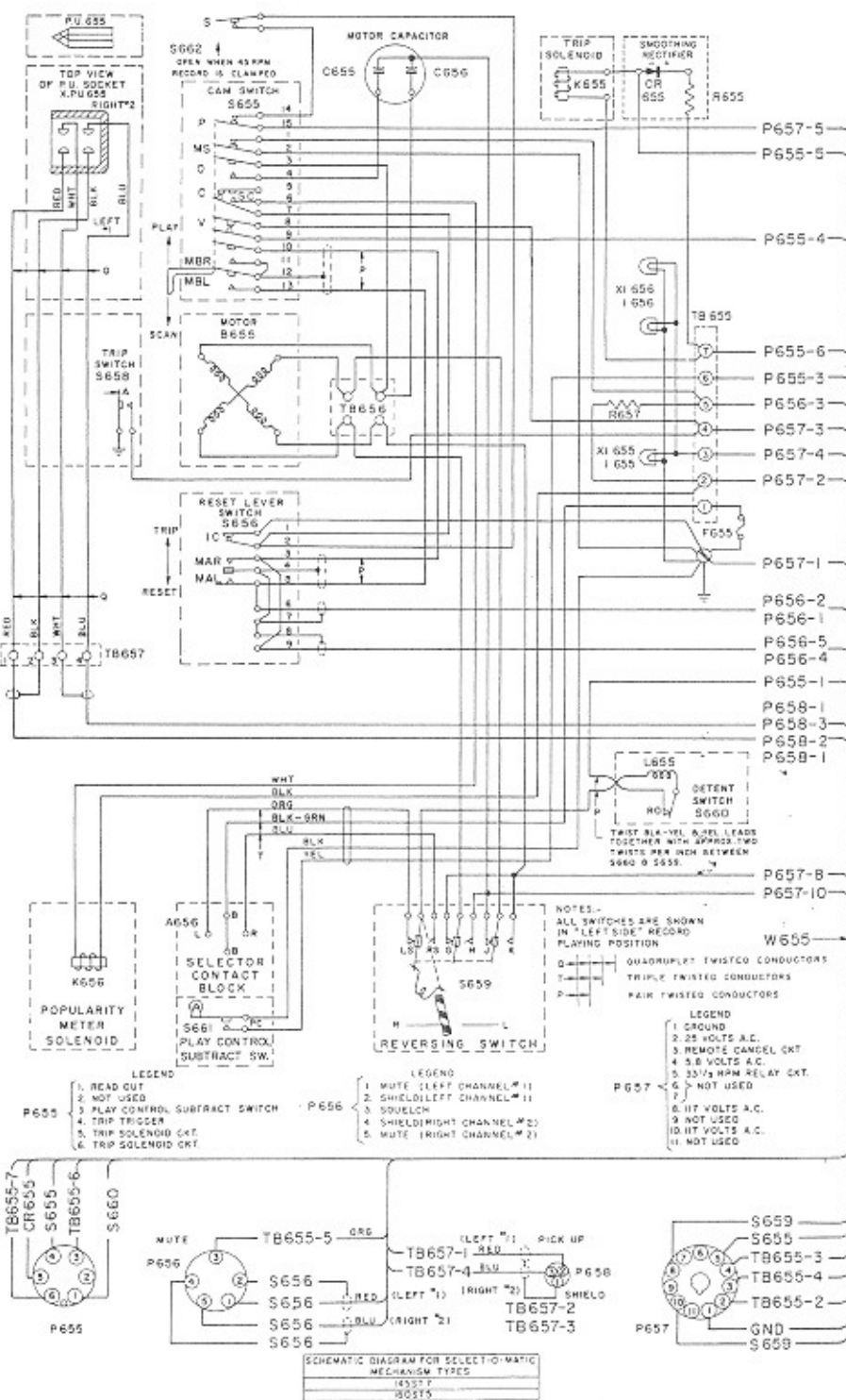
Item	Parts List	Description
A656	249148	Contact Block
B655	250251	Motor Assembly
C655	86321	1.65 MFD. Motor
C656		
CR655	247843	Selenium Rectifier
F655	247850	Fuse - 5 Amp.
I655	249198	Indicator Lamp
K655	247510	Trip Solenoid
K656	249122	Pop. Meter Solenoid
L655	303702	Choke, 100 μ Henry
P655	65319	Six Prong Plug
P656	F200241	Five Prong Plug
P657	250942	Eleven Prong Plug
P658	250938	Three Prong Plug
PU655	249730	Magnetic Pickup
R655	82413	120 Ohm $\frac{1}{4}$ W. $\pm 10\%$
R657	82752	2200 Ohm 1 W. $\pm 10\%$
S655	249463	Cam Switch
S656	249939	Reset Lever Switch
S657		Clutch Switch
S658	245816	Trip Switch
S659	247846	Reversing Switch
S660	249235	Detent Switch
S661	248127	Play Control Subtract Switch
S662	249506	Clamp Arm Switch
TB655	305113	Terminal Strip
TB656	245909	Motor Terminal Strip
TB657	305112	Terminal Strip
W655	249461	Control Cable
XI655	249193	Lamp Socket
XP655	249727	P. U. Cartridge Socket



Schematic Diagram For Select-O-Matic Mechanism, Types 145ST5 & 160ST4.

SELECT-O-MATIC MECHANISM

Item	Part No.	Description
A656	249148	Contact Block Assem.
B655	250251	Motor Assembly
C655	86321	1.65 Mfd 0.75 Mfd
C656		
CR655	247843	Selenium Rectifier
F655	247850	Fuse - 5 Amp.
I655	249198	Indicator Lamp
I656	249602	Lamp
K655	247510	Trip Solenoid
K656	249122	Pop. Meter Solenoid
L655	303702	Choke 100 γ Henry
P655	65323	Six Prong Plug
P656	F200241	Five Prong Plug Assem.
P657	250942	Eleven Prong Plug Assem.
P658	250938	Three Prong Plug Assem.
PU655	249755	Magnetic Pickup
R655	82413	120 Ohm $\frac{1}{2}$ W. $\pm 10\%$
R657	82752	2200 Ohm 1 W. $\pm 10\%$
S655	249463	Cam Switch
S656	249952	Reset Lever Switch
S658	245816	Trip Switch
S659	247846	Reversing Switch Assem.
S660	249235	Detent Switch
S661	248127	Play Control Subtract Switch
S662	249506	Clamp Arm Switch
TB655	305113	Terminal Strip
TB656	245909	Motor Terminal Strip
TB657	305112	Terminal Strip
W655	249461	Control Cable
XI655	249193	Lamp Socket Assembly
XI656	249599	Reflector & Lamp Socket Assem.
XPU655	249727	PU Cartridge Socket Assem.

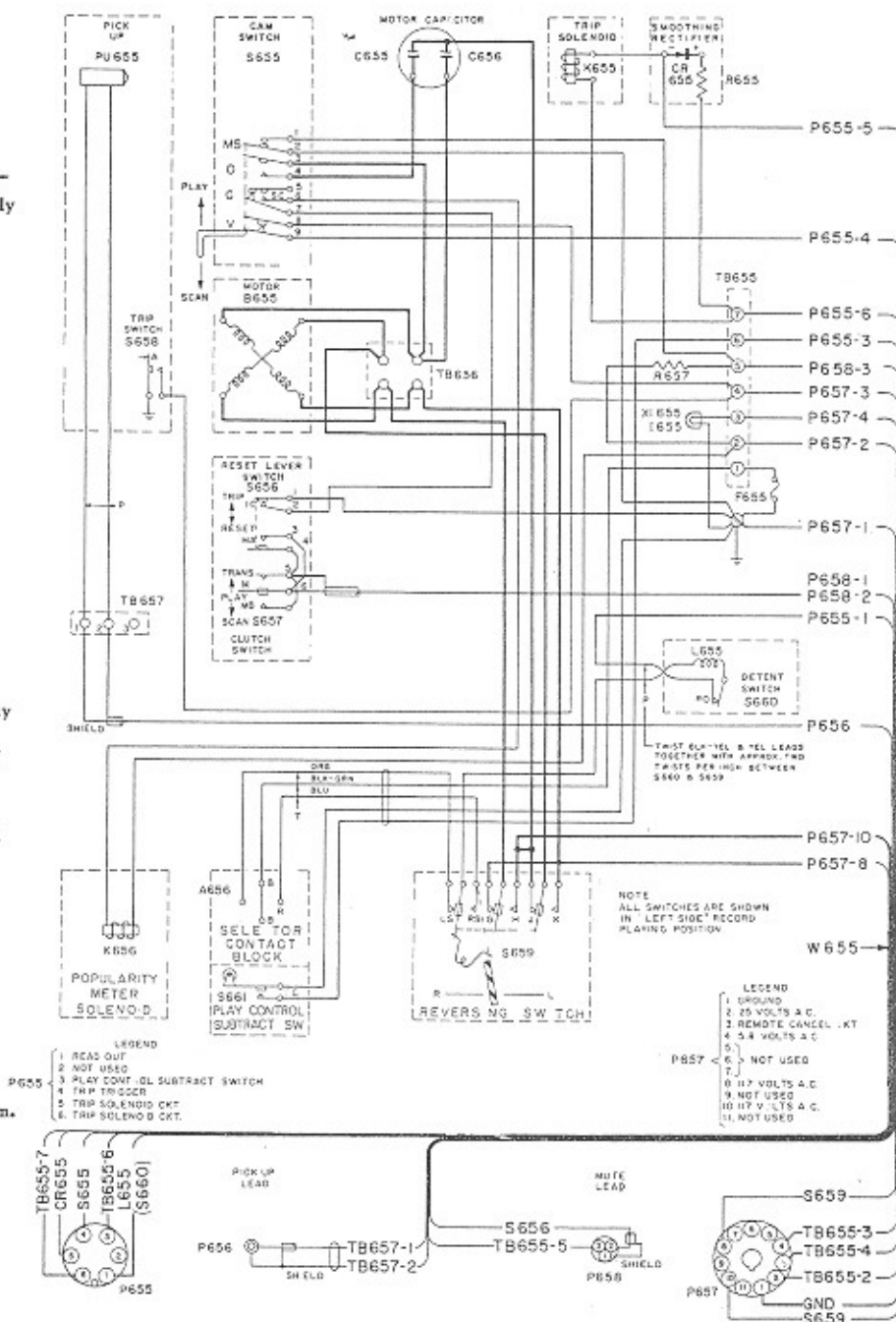


Schematic Diagram for Select-O-Matic Mechanism, Types 145ST7 & 160ST5.

SELECT-O-MATIC MECHANISM

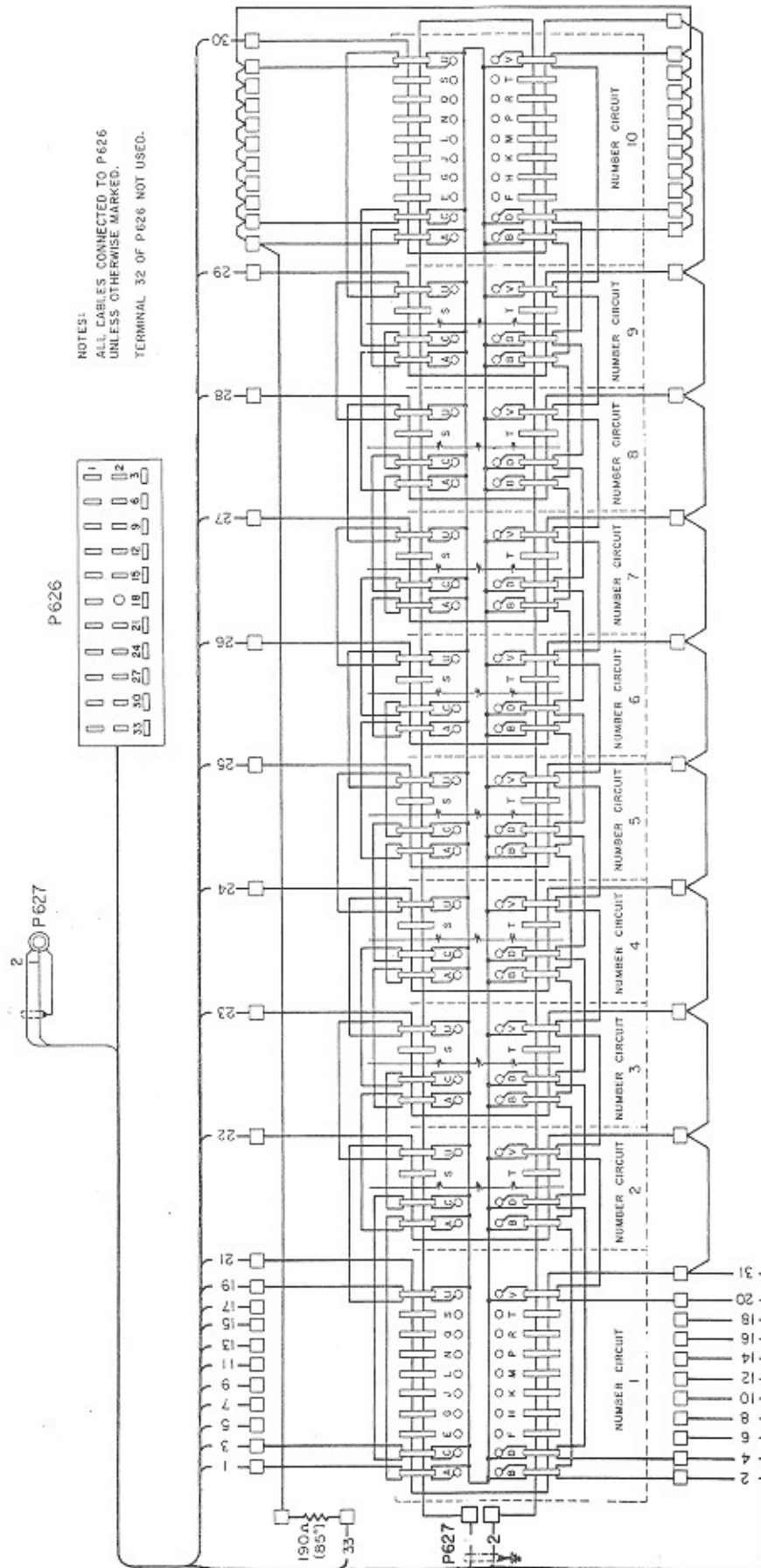
PARTS LIST

ITEM	PART NO.	PART NAME
A656	249148	Contact Block Assembly
B655	250251	Motor Assembly
C655	86772	{ 1.4 Med. } Motor
C656		
CR655	247843	Selenium Rectifier
F655	247850	Fuse, 5 Amp.
I 655	249198	Indicator Lamp
K655	247510	Trip Solenoid
K656	249122	Popularity Meter Solenoid
L655	303702	Choke, 100 μ Henry
P655	65319	Six Prong Plug
P656	246957	Single Prong Plug
P657	250942	11 Prong Plug Assembly
P658	250938	3 Prong Plug Assembly
PU655	246796	Magnetic Pickup
R657	82752	2,200 Ohm, 1 W., \pm 10% Resistor
R655	82413	120 Ohm, $\frac{1}{2}$ W., \pm 10% Resistor
S655	2499 2	Cam Switch
S656	249913	Reset Lever Switch
S657		
S658	245816	Trip Switch
S659	247846	Reversing Switch Assem.
S660	249235	Detent Switch
S661	248127	Play Control Subtract Switch
TB655	305113	Terminal Strip
TB656	245909	Motor Terminal Strip
TB657	245755	Terminal Strip
XI655	249193	Lamp Socket Assembly
W655	249931	Control Cable



Mechanism Schematic

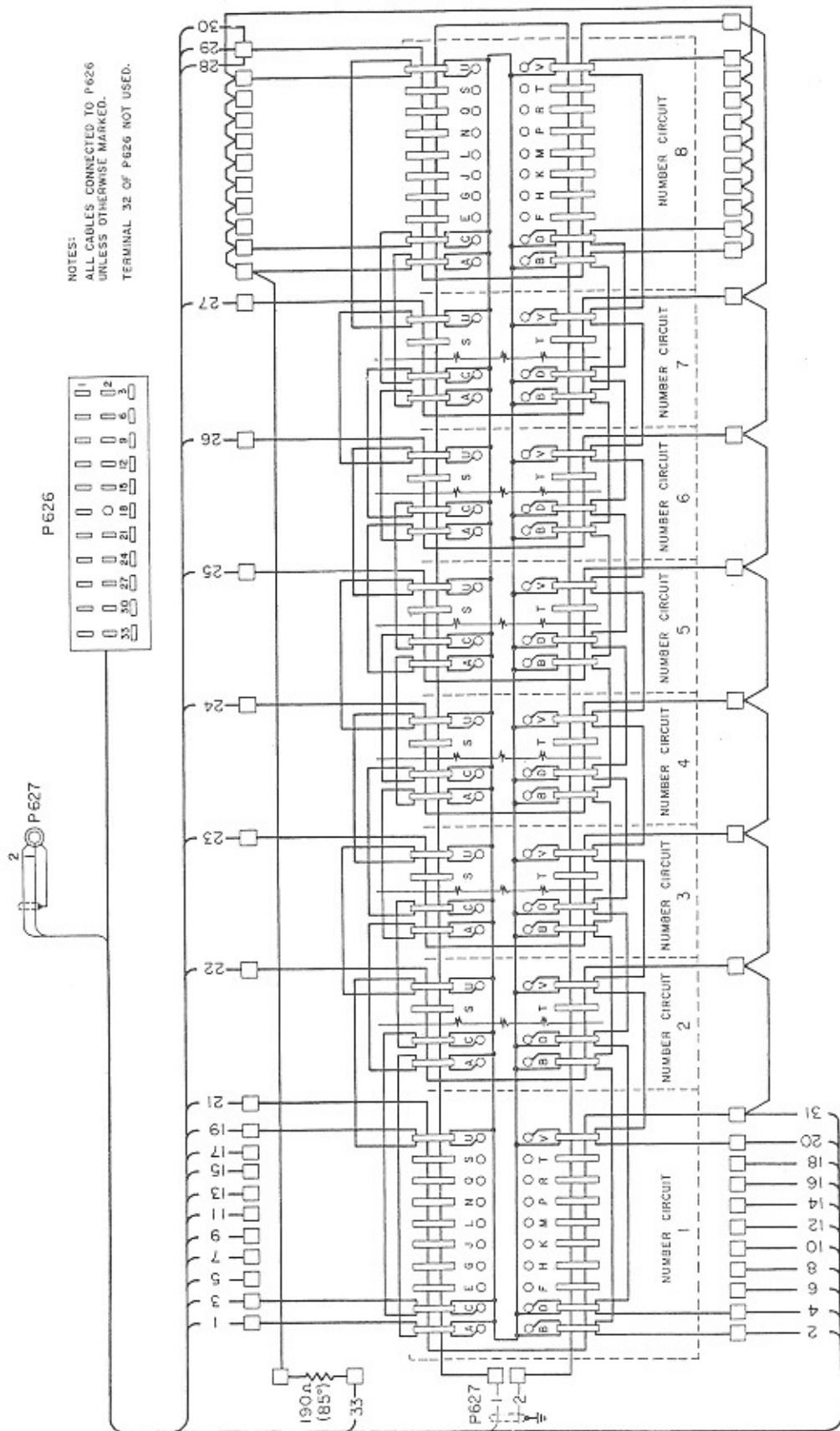
SELECT-O-MATIC "200" MECHANISM



NOTES:
ALL CABLES CONNECTED TO P626
UNLESS OTHERWISE MARKED.
TERMINAL 32 OF P626 NOT USED.

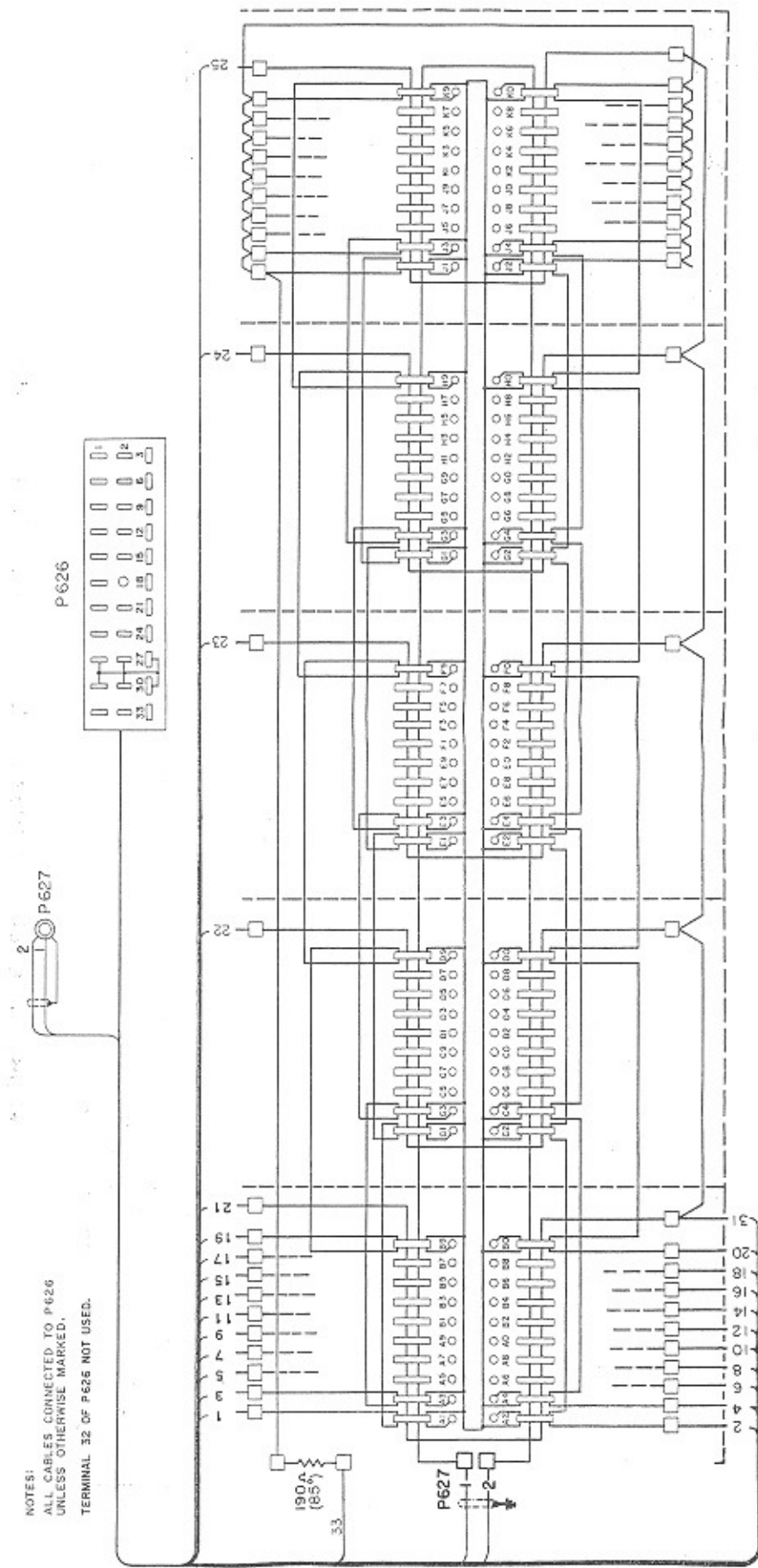
WIRING DIAGRAM - TORMAT MEMORY UNIT, TYPE 200TMU

SELECT-O-MATIC "160" MECHANISM



WIRING DIAGRAM - TORMAT MEMORY UNIT, TYPE 160TMU

SELECT-O-MATIC "100" MECHANISM



NOTES:
ALL CABLES CONNECTED TO P626
UNLESS OTHERWISE MARKED.
TERMINAL 32 OF P626 NOT USED.

WIRING DIAGRAM - TORMAT MEMORY UNIT, TYPE 100TMU