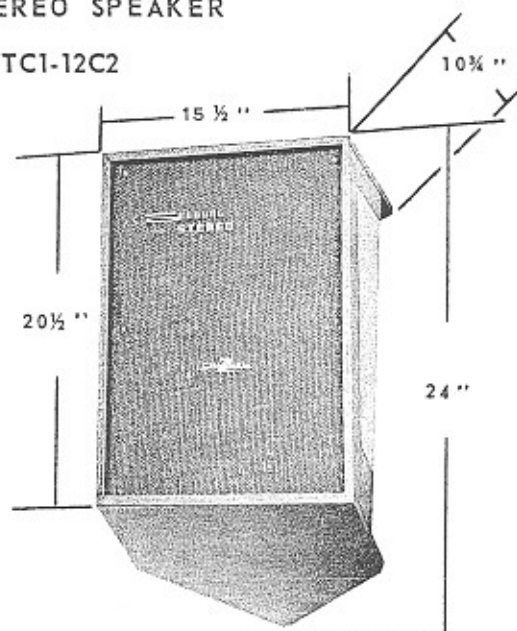
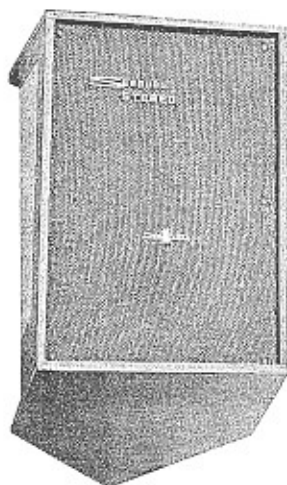


SEEBURG

EXTENDED BASS TWIN STEREO SPEAKER

TYPE, EBTC1-12C1 and EBTC1-12C2



SPECIFICATIONS

Size	12 inch.
Type	Constant Voltage, 70-Volt line.
Power Rating	16 watts (each) (Taps at 16, 8, 4 and 1 watts)
Net Weight	42 Pounds (2 speakers)
Shipping Weight	52 Pounds (2 speakers)

The Seeburg Extended Bass Twin Stereo Speakers are specifically designed to be used in pairs for corner installations. They provide the optimum in bass response for stereo speaker installations remote from the stereo phonograph.

INSTALLATION:

Refer to the Stereo Phonograph Installation Manual for "Room Width to Height Above Floor" relationship to determine position of the speakers. Mark the walls lightly along the top edges of the cabinet and place the cabinet hanger, *Figure 3*, so that its horizontal surface is located $\frac{1}{2}$ inch below the marking on the walls.

Fasten the bracket to the walls using the appropriate No. 10 self tapping screws provided. The cabinet can now be raised over the bracket so that the slot in the top of the cabinet is engaged by the lip on the hanger bracket. Screw in the 10-32 retaining screw to secure the speaker.

Connection to the speaker is made at the terminal board located at the top of the cabinet.

The 70-volt CV line output terminals of the amplifier are connected by means of suitable speaker cable. To select the desired power output, move the SPEAKER WATTS link to the proper terminal. Refer to the Stereo Phonograph Installation Manual for placement and connections of complete speaker system.

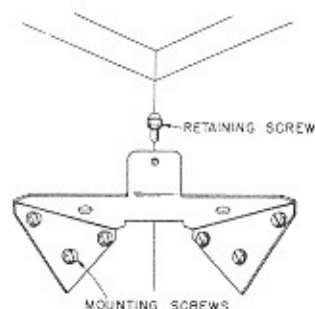
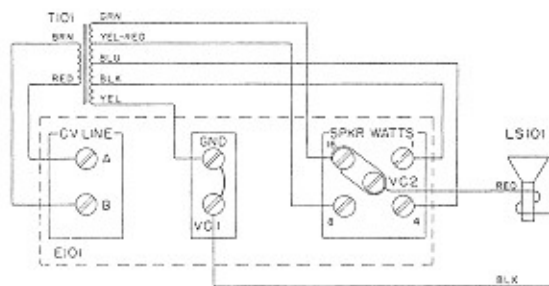


Figure 3. Hanger Bracket Installation



PARTS LIST

Part No.	Part Name
502551	CABINET HANGER BRACKET
502970	CABINET
481232	12 INCH SPEAKER
502848	TRANSFORMER (T101)
502976	TERMINAL PANEL (E101)