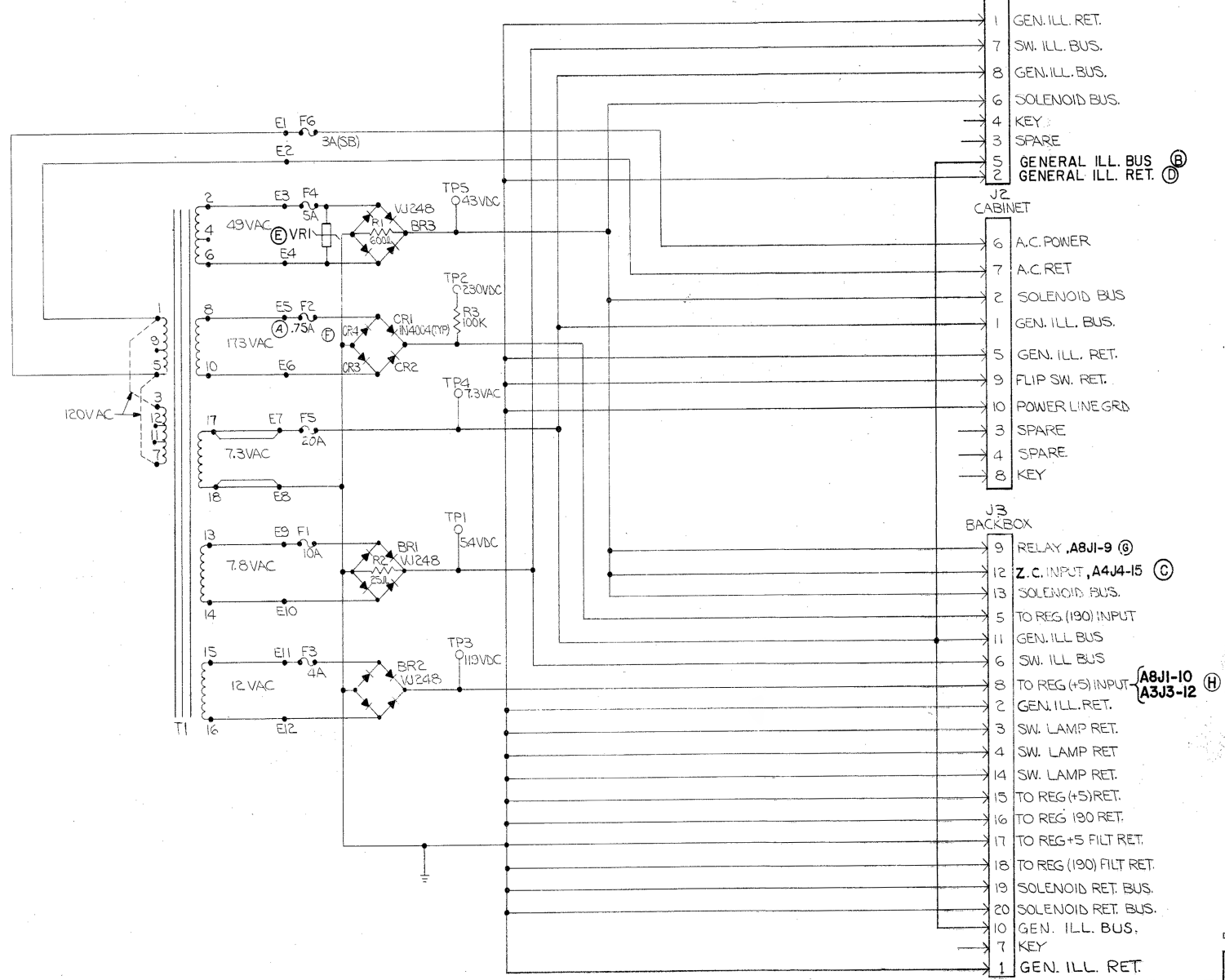


TRANSFORMER ASSEMBLY A2



- NOTES:
1. WIRE A.C. POWER AND TERMINALS PER TABLE 1.
 2. VOLTAGES SHOWN ARE FOR GAME IN POWER-UP CONDITION.
 3. PREFIX ALL REFERENCE DESIGNATIONS WITH A2.

TABLE 1
POWER LINE CONNECTIONS

LINE VOLTAGE VRMS A.C.	STRAP TERMINALS	APPLY POWER TO TERMINALS
115	1T03 AND 3T01	1 AND 9
120	1T03 AND 3T07	1 AND 5
220	3T05	1 AND 12
240	3T05	1 AND 7

- J1 PLAYFIELD
- 1 GEN. ILL. RET.
 - 7 SW. ILL. BUS.
 - 8 GEN. ILL. BUS.
 - 6 SOLENOID BUS.
 - 4 KEY
 - 3 SPARE
 - 5 GENERAL ILL. BUS. (B)
 - 2 GENERAL ILL. RET. (C)
- J2 CABINET
- 6 A.C. POWER
 - 7 A.C. RET
 - 2 SOLENOID BUS
 - 1 GEN. ILL. BUS.
 - 5 GEN. ILL. RET.
 - 9 FLIP SW. RET.
 - 10 POWER LINE GRD
 - 3 SPARE
 - 4 SPARE
 - 8 KEY
- J3 BACKBOX
- 9 RELAY, A8J1-9 (D)
 - 12 Z.C. INPUT, A4J4-15 (E)
 - 13 SOLENOID BUS.
 - 5 TO REG (190) INPUT
 - 11 GEN. ILL. BUS
 - 6 SW. ILL. BUS
 - 8 TO REG (+5) INPUT, A8J1-10 (H) A3J3-12 (H)
 - 2 GEN. ILL. RET.
 - 3 SW. LAMP RET.
 - 4 SW. LAMP RET
 - 14 SW. LAMP RET.
 - 15 TO REG (+5) RET.
 - 16 TO REG 190 RET.
 - 17 TO REG +5 FILT RET.
 - 18 TO REG (190) FILT RET.
 - 19 SOLENOID RET. BUS.
 - 20 SOLENOID RET. BUS.
 - 10 GEN. ILL. BUS.
 - 7 KEY
 - 1 GEN. ILL. RET.

DIE SIZE — C.C. — FT. PER M — LBS. PER M —

ALL DESIGN, OPERATIVE AND PROCESS DATA PERTAINING TO THE ARTICLE SHOWN ON THIS SHEET IS THE PROPERTY OF BALLY MFG. CORP. CHICAGO, ILL. THIS INFORMATION IS DISCLOSED IN CONFIDENCE AND IS NOT TO BE COPIED, REPRODUCED, REVEALED TO OR APPROPRIATED BY OTHERS, IN PART OR IN WHOLE, WITHOUT THE EXPRESS CONSENT OF THE OWNER. THE PRINT IS LOANED AND MUST NOT BE GIRD IN ANY MANNER DETERMINED TO THE PLEASURE OF THE OWNER, AND MUST BE RETURNED ON DEMAND.

REV	DATE	DESCRIPTION	BY	CHKD
6	10-17-79	ADDED A8J1-10, A3J3-12	E.V.	JD
5	9-18-79	ADDED A8J1-9	E.V.	JD
4	12-6-78	ERASED (48)		JD
3	11-2-78	VR1 READ 23	NR	SKP
2	11-2-78	J1-2 READ "GND"		
1	11-2-78	J3-12 READ "Z.C. INPUT"		
1		Added Jumper J1-5 to J3-1		
1		F2 WAS S.O.A		

REMOVE ALL BURRS

TOLERANCES UNLESS OTHERWISE SPECIFIED

FRACTIONS: DECIMALS: ANGLES: DO NOT SCALE DRAWING

DATE: FEB 21 1977

SCALE: 1074 - E

NAME: POWER TRANSFORMER MODULE SCHEMATIC

PART NO. W-1185-1c

OPER.	DEPT.	DESCRIPTION	TOOL No.