

PRO-31 PORTABLE SCANNER
FM Monitor Receiver
VHF: 30 - 54 MHz / 138 - 174 MHz
UHF: 380 - 512 MHz

PLEASE READ BEFORE USING THIS EQUIPMENT



CONTENTS

A Quick Look at your PRO-31	4-5
Getting Started	6-7
Operating Your PRO-31	7
Receiver Operations Display	8
Programming Frequencies	8
Using The Scanning Function	9
Delay Function	10
Lockout Function	10
Display Light	10
Low Battery	10
Birdies	10-11
Earphone Listening	11
Before You Call for Help	12
Specifications	13
Frequency Log	14
Block Diagram	15

You'll hear all the action with your new **PRO-31** Programmable Scanning Receiver! You have direct access to over 22,300 frequencies in nine action radio bands including police, ham radio and emergency transportation services! And your PRO-31 scans up to 10 channels of your choice so you won't miss any of your favorite transmissions.

The secret to PRO-31's versatility and high performance is a custom-designed microprocessor. This tiny computer is built into a micro-chip in the heart of your

scanner. Using the keyboard the microprocessor lets you easily enter and change frequencies whenever you wish. The microprocessor also gives you special functions not found on other portable scanning receivers, like channel lockout and scan delay.

Your PRO-31 achieves superior performance with the very latest in solid-state technology including a phase-locked loop (PLL) IC, 2 C-MOS ICs including microprocessors, 2 integrated circuits, 30 transistors, 40 diodes and a Liquid Crystal Display.

For your protection, please record your scanner's serial number in the box below. You'll find the serial number on the back of the unit.

Serial Number

FEATURES

Your PRO-31 Portable Scanner:

- Covers 30 – 50 MHz (VHF Lo), 50 – 54 MHz (ham radio 6m), 138 – 144 MHz (government), 144 – 148 MHz (ham radio 2m), 148 – 174 MHz (VHF Hi), 380 – 450 MHz (ham radio and government), 460 – 470 MHz (UHF Lo) and 470 – 512 MHz (UHF Hi) – over 22,300 channels!
- Scans up to 10 channels continuously.
- Displays channel status and frequencies being scanned, monitored or programmed on a Multi-purpose Liquid Crystal Display (LCD).
- Includes channel Lockout with built-in skipper circuit.
- Provides an optional two-second scan delay to eliminate missed replies.
- Sharpens reception with a crystal filter for 1st IF (10.7 MHz) and a ceramic filter for 2nd IF (455 kHz).
- Holds memorized frequencies with battery backup.

A QUICK LOOK AT YOUR PRO-31

MULTI-PURPOSE DISPLAY - Shows channel and frequency being scanned, monitored, or programmed, and the status of the channels.

PROGRAM Key - Sets the internal microprocessor for entry of a frequency.

SCAN Key - Sets the PRO-31 to automatically scan all monitor channels.

MANUAL Key - Sets the PRO-31 to manually scan the channels. The Receiver advances one channel each time the button is pressed.

LOCKOUT Key - Enables you to lockout monitor programmed channels. Press once to lockout. Press again to return channel to normal operation.

KEYLOCK Key - Prevents the accidental use of all programming keys except SCAN and MANUAL.



SPEAKER - For listening.

CLEAR Key - Clears the display when completion error is made.

DELAY Key - Holds the PRO-31 on channel until the second after 4 transmitter-ends.

ENTER Key - Enters a displayed frequency into any one of the 18 channels you may want. Channel 18 is displayed as channel "0."

NUMBER Keys - Enter the desired channel number and its frequency.

LIGHT Key - Lights up the display for reading in the dark.

SQUELCH Control - Eliminates background noise between transmissions. With no signal, both stockpile and noise disappears.

EXTERNAL JACK - For connecting an external speaker. The built-in speaker is automatically disconnected.

ANTENNA JACK - Connect the flexible antenna supplied to this jack.

OPEN VOLUME Control - Turn clockwise for power ON. Further rotation will increase volume.



External Power (PWR) Jack

Recharge (CHG) Jack

The Battery Compartment holds 6 AA type batteries.

The External power Jack (PWR) lets you connect an external 9-volt DC power source (negative ground) for operation without batteries. Use Radio Shack no. 273-1455 for 120V AC, or no. 1-4-844B for 12V Car operation. (Mobile use of scanners may be unlawful or require a permit in some areas. Check with local authorities.)


The PWR jack may be used at any time, with or without batteries installed.

To recharge nickel cadmium batteries in the receiver, simply plug an external 9A volt DC power source (Radio Shack 273-1455) into the recharge (CHG) jack. To fully charge nickel cadmiums, leave the external power connected for 10-18 hours.

NOTE

- The recharge (CHG) jack is to be used only when nickel-cadmium batteries are installed. The unit can operate while nickel cadmium batteries are being charged.
- Never connect external power to the charge jack when regular or alkaline batteries are installed, because charging can cause these batteries to explode.
- Remove external power from the CHG jack during a power failure.

GETTING STARTED

To install batteries, position the Receiver as illustrated, press the  mark and slide the battery compartment cover off. Take out the battery holder.

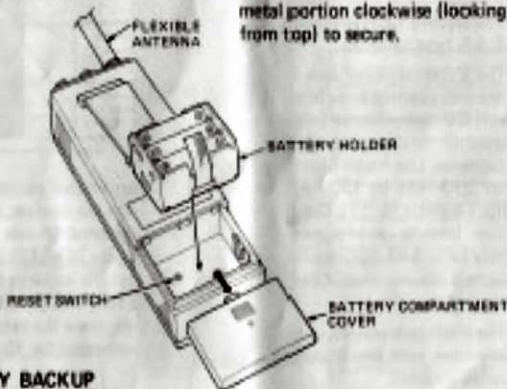
Put six fresh AA batteries in the battery holder, making sure to match polarity markings inside the holder with markings on the batteries (+ to + and - to -). Replace the battery holder and the battery compartment cover.

We recommend that you use rechargeable nickel-cadmium AA batteries, catalog number 23-125, or AA alkaline ENE R-CELLs, catalog number 23-552.

Low battery indicator appears when the battery is low. Replace or recharge the batteries.

ANTENNA

Attach the flexible antenna to ANT connector. Rotate the metal portion clockwise (locking from top) to secure.



MEMORY BACKUP

Memory back-up starts functioning the second you supply power to your PRO-31 (with batteries or external power,) and continues even when the power switch is turned "OFF."

Even after removing the batteries or external power, the memory will be backed up for approximately one hour.

When the Batteries are low (low battery indicator on), the

memory back-up will operate for up to three months. However, since weak batteries can leak, you should replace them and avoid damage to your scanner.

RESET SWITCH

If the LCD fails to work properly just after you connect new batteries or external power to your PRO-31, use the Reset Switch.

Remove the batteries and all external power. Then use a ball point pen, etc. to push the Reset switch through the hole on the bottom of the Battery compartment.

When the reset switch is pushed, all frequencies will be cleared to "000.000," requiring you to re-enter your desired frequencies.

Insert the battery holder and return to normal operation.

You can use your PRO-31 with an external mobile antenna or outdoor base antenna by using the BNC connector, after you remove the flexible antenna.



OPERATING YOUR PRO-31

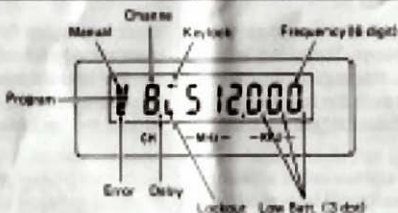
Turn on your PRO-31 by rotating VOLUME clockwise. (When first turned on, your PRO-31 might start scanning.)

Rotate SQUELCH fully counter-clockwise. You'll hear a rushing noise from the speaker. Slowly rotate SQUELCH clockwise until the noise stops. You're now ready to start entering frequencies!

Understanding the Display

The liquid crystal display (LCD) on your PRO-31 can display the channel number, the frequency being received, and the status of different functions. Here's a brief rundown on what the LCD symbols mean when receiving stations.

RECEIVER OPERATIONS DISPLAY



Programming Frequencies

Press numeric keys to program the desired frequency, and press **ENTER**.

Make a mistake while entering a frequency? Just press **CLEAR** to clear it.

If you enter a frequency that is outside a PRO-31 band range, "E" (Error) will be displayed. Press **CLEAR** and select another frequency.

Any frequency within a PRO-31 band range will be accepted. When you press **ENTER**, the scanner will automatically round-off any slightly inaccurate entry to the closest "correct" frequency.

In case you're wondering

. . . The tuning range of your PRO-31 is permanently stored in the microprocessor chip. There's no way it can be extended or altered — even by a skilled electronics technician. So if you try to enter a frequency not in the PRO-31's tuning ranges, you'll get an error message every time!

When you program: **Display will show:**

Low and High Band
(5 kHz step)

XXX.XX0 MHz }
to } XXX.XX0 MHz
XXX.XX4 MHz }

XXX.XX5 MHz }
to } XXX.XX5 MHz
XXX.XX9 MHz }

UHF Band
(12.5 kHz step)

XXX.X00 MHz }
to } XXX.X00 MHz
XXX.XX9 MHz }

XXX.X10 MHz }
to } XXX.X12 MHz
XXX.X19 MHz } (actually
XXX.X125 MHz)

XXX.X20 MHz }
to } XXX.X25 MHz
XXX.X29 MHz }

XXX.X30 MHz }
to } XXX.X37 MHz
XXX.X49 MHz } (actually
XXX.X375 MHz)

XXX.X50 MHz }
to } XXX.X50 MHz
XXX.X59 MHz }

XXX.X60 MHz to XXX.X69 MHz	}	XXX.X62 MHz (actually XXX.X625 MHz)
XXX.X70 MHz to XXX.X79 MHz		XXX.X75 MHz
XXX.X80 MHz to XXX.X99 MHz	}	XXX.X87 MHz (actually XXX.X875 MHz)

Note: Figures below four decimal places are not displayed, but are automatically rounded and entered.

Before programming frequencies, make sure your PRO-31 is turned **OFF**.

Suppose you want to program channel 1 to receive 162.55 MHz. Here's how you would do it:

1. Be sure the keylock indicator is off.
2. Press **MANUAL** and select channel 1. You can do this in two ways: press **MANUAL** continuously until the display indicates channel 1, or by pressing **1**.
3. Press **PROGRAM**.
4. Press **1** **6** **2** **5**.
Check the display to make sure the frequency it shows is the one you meant to program. If it is, press **ENTER**.

5. To add more frequencies, press **PROGRAM** to advance to the next channel and follow the steps above.
6. If you ever want to change the frequency entered for a specific channel, enter the new frequency over the old one, using steps 2, 3, and 4.

After entering your desired frequencies, you may wish to press the **KEY-LOCK** key and prevent accidental changes to your program. When the key-lock indicator is on, the PRO-31 will ignore all keys pressed, except **SCAN** and **MANUAL**.

Using the Scanning Function

Your PRO-31 will automatically scan all the channels you've programmed and stop whenever it finds a signal. To scan channels, press **SCAN**.

To stop scanning, press **MANUAL**; then you can select specific channels you want to listen to.

Important! Your PRO-31 won't scan unless **SQUELCH** is set to the point where no sound is heard between transmissions (i.e. no "his" sound).

Delay Function

When your PRO-31 is scanning, it will stop whenever it finds a channel with a signal. As soon as the signal ends, it immediately begins scanning other channels. Most transmissions are part of a two-way communication. To make sure you don't miss any replies, press **DELAY**. Your PRO-31 will then hold the channel at least two seconds after each transmission, giving you time to hear replies. The delay indicator will show on the display when the delay function is used. To release the delay function, press **DELAY** again.

Lockout Function

You might want your PRO-31 to skip certain frequencies while it's scanning (such as continuously transmitted weather broadcasts). To lock out such channels, follow these steps:

1. Press **MANUAL** to stop scanning.
2. Continue pressing **MANUAL** until you reach to the channel you want to lock out.
3. Press **L/CUT**. The display will show "L" indicating this channel will be skipped during scanning.

To release the lockout function:

1. Press **MANUAL** to stop scanning.
2. Advance to channel that is locked out.
3. Press **L/CUT** again. "L" will disappear from the display.

You can lockout up to 9 channels.

Display Light

Push **LIGHT** to illuminate the display in the dark.

Low Battery

Low battery indicator: three dots will appear on the right of display when the battery is low. Replace or recharge the batteries.

Birdies

"Birdies" are the products of internally generated signals that make some frequencies difficult or impossible to receive. If you program one of these, the Scanner locks up and you'll hear only noise on that frequency.

If the interference is not severe, you might be able to rotate **SQUELCH** clockwise to cut out the "birdy".

The most common "birdies" to watch out for are listed below.

30.740 MHz	46.320 MHz
31.990 MHz	47.300 MHz
TO	
32.105 MHz	140.800 MHz
32.700 MHz	147.200 MHz
TO	147.500 MHz
32.800 MHz	TO
34.940 MHz	147.900 MHz
TO	149.300 MHz
35.000 MHz	TO
38.400 MHz	149.550 MHz
40.980 MHz	153.800 MHz
41.950 MHz	160.000 MHz
TO	168.400 MHz
42.030 MHz	421.200 MHz
44.800 MHz	TO
	422.000 MHz

Even with the SQUELCH control set to maximum (fully clockwise), scanning may stop on or around some of these frequencies. If the signal is strong enough (above $10 \mu\text{V}$ in technical terms) you can listen for transmissions on the channel. But the receiver will have to be MANUALLY moved off the troublesome frequency.

Earphone Listening

If you're having difficulty hearing in a noisy area or if you don't want your scanner to bother other people, plug an earphone into the Earphone jack (EAR) for private listening. This will automatically disconnect the built-in speaker.

Note: For greater clarity in noisy locations, we suggest using an extension speaker assembly, Cat. No. 21-548. You will also require a subminiature adapter, 274-327, for connection.

BEFORE YOU CALL FOR HELP

The PRO-31 is ruggedly built with all parts conservatively rated. However, you should treat it with care. For long life, don't subject it to excessively rough handling, and keep it free from dirt and excessive humidity.

If you Have Problems

We hope you don't — but here are some suggestions:

Problem	Possible Cause	Remedy
SCANNER is totally inoperative	No power	Check to see that batteries are good and are properly installed.
Scanner is on, but will not scan	1) Channels are locked out. 2) Squelch control is not adjusted correctly.	1) Press Manual , then release each channel from lockout one-by-one. 2) Adjust SQUELCH clockwise.
Scan locks on frequencies having no clear transmissions.	"Birdies"	Avoid programming frequencies listed on page 11, or only listen to them manually.
Your PRO-31 locks up or you want to completely clear all memories.		Remove battery holder and external power, and press the reset button with a pen or pencil.

If none of these suggested remedies solves the problem, return your set to your nearby Radio Shack for repair by a qualified technician.

SPECIFICATIONS

FREQUENCY COVERAGE:

VHF-Low

30 - 54 MHz (in 5 kHz steps)

Government

138 - 144 MHz (in 5 kHz steps)

Ham

144 - 148 MHz (in 5 kHz steps)

VHF-Hi

148 - 174 MHz (in 5 kHz steps)

Ham/Gov't

380 - 450 MHz (in 12.5 kHz steps)

UHF-Low

450 - 470 MHz (in 12.5 kHz steps)

UHF-Hi ("T")

470 - 512 MHz (in 12.5 kHz steps)

CHANNELS OF OPERATION:

Any 10 channels in any band combinations.

SENSITIVITY:

20 dB Signal-to-Noise ratio at 3 kHz Deviation:

30 - 54 MHz 0.6 μ V

138 - 174 MHz 1.0 μ V

380 - 512 MHz 1.0 μ V

SPURIOUS REJECTION:

30 - 54 MHz 50 dB at 40 MHz

138 - 174 MHz 50 dB at 150 MHz

380 - 512 MHz Not specified

SELECTIVITY:

\pm 9 kHz, -6 dB

\pm 15 kHz, -50 dB

IF REJECTION:

10.7 MHz 50 dB at 154 MHz

SCANNING RATE:

8 channels/sec.

DELAY TIME:

2 seconds

MODULATION ACCEPTANCE:

\pm 5 kHz

IF FREQUENCIES:

10.7 MHz and 455 kHz

FILTERS:

1 crystal filter, 1 ceramic filter

SQUELCH SENSITIVITY:

Threshold Less than 1.0 μ V

Tight (S+N)/N 15 dB

ANTENNA IMPEDANCE:

50 ohms

AUDIO POWER:

300mW nominal

BUILT-IN SPEAKER:

2" (5cm) 8 ohm, dynamic type

POWER REQUIREMENTS:

+9V DC, 6 AA batteries, or a suitable adapter (negative ground only)

Current drain:

60 mA (Squelched)

160 mA (full volume unsquelched)

DIMENSIONS:

187 (7 3/8") x 74 (2 15/16")

x 42 (1 10/16")mm HWD

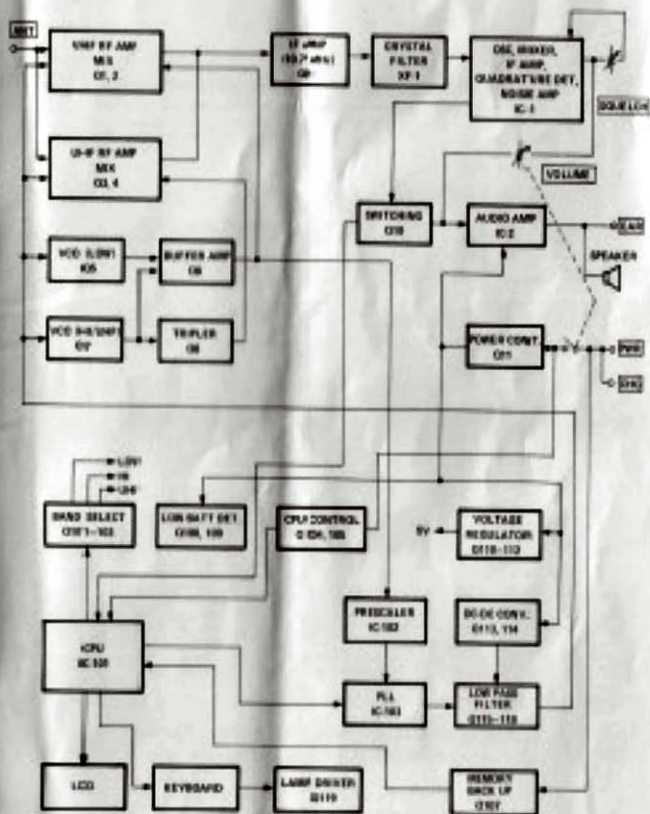
WEIGHT:

1.1 lbs (500g)

FREQUENCY LOG

Frequency	Location and Use

BLOCK DIAGRAM



RADIO SHACK LIMITED WARRANTY

This product is warranted against defects for 1 year from date of purchase from Radio Shack company-owned stores and authorized Radio Shack franchisees and dealers. Within this period, we will repair it without charge for parts and labor. Simply **bring your Radio Shack sales slip** as proof of purchase date to any Radio Shack store. Warranty does not cover transportation costs. Nor does it cover a product subjected to misuse or accidental damage.

EXCEPT AS PROVIDED HEREIN, RADIO SHACK MAKES NO WARRANTIES, EXPRESS OR IMPLIED, INCLUDING WARRANTIES OF MERCHANTABILITY AND FITNESS FOR A PARTICULAR PURPOSE. Some states do not permit limitation or exclusion of implied warranties; therefore, the aforesaid limitation(s) or exclusion(s) may not apply to the purchaser.

This warranty gives you specific legal rights and you may also have other rights which vary from state to state.

We Service What We Sell

U.S. PATENT NOS.

3,794,925

3,801,914

3,961,261

3,962,644

4,027,251

4,092,594

4,123,715

4,245,348

**CUSTOM MANUFACTURED FOR RADIO SHACK
A DIVISION OF TANDY CORPORATION**

**U.S.A.: FORT WORTH, TEXAS 76102
CANADA: BARRIE, ONTARIO L4M 4W5**

TANDY CORPORATION

AUSTRALIA

91 KURRAJONG AVENUE
MOUNT DRUITT, N.S.W. 2770

BELGIUM

PARC INDUSTRIEL
5140 NANINNE (NAMUR)

U. K.

BILSTON ROAD WEDNESBURY
WEST MIDLANDS WS10 7JN