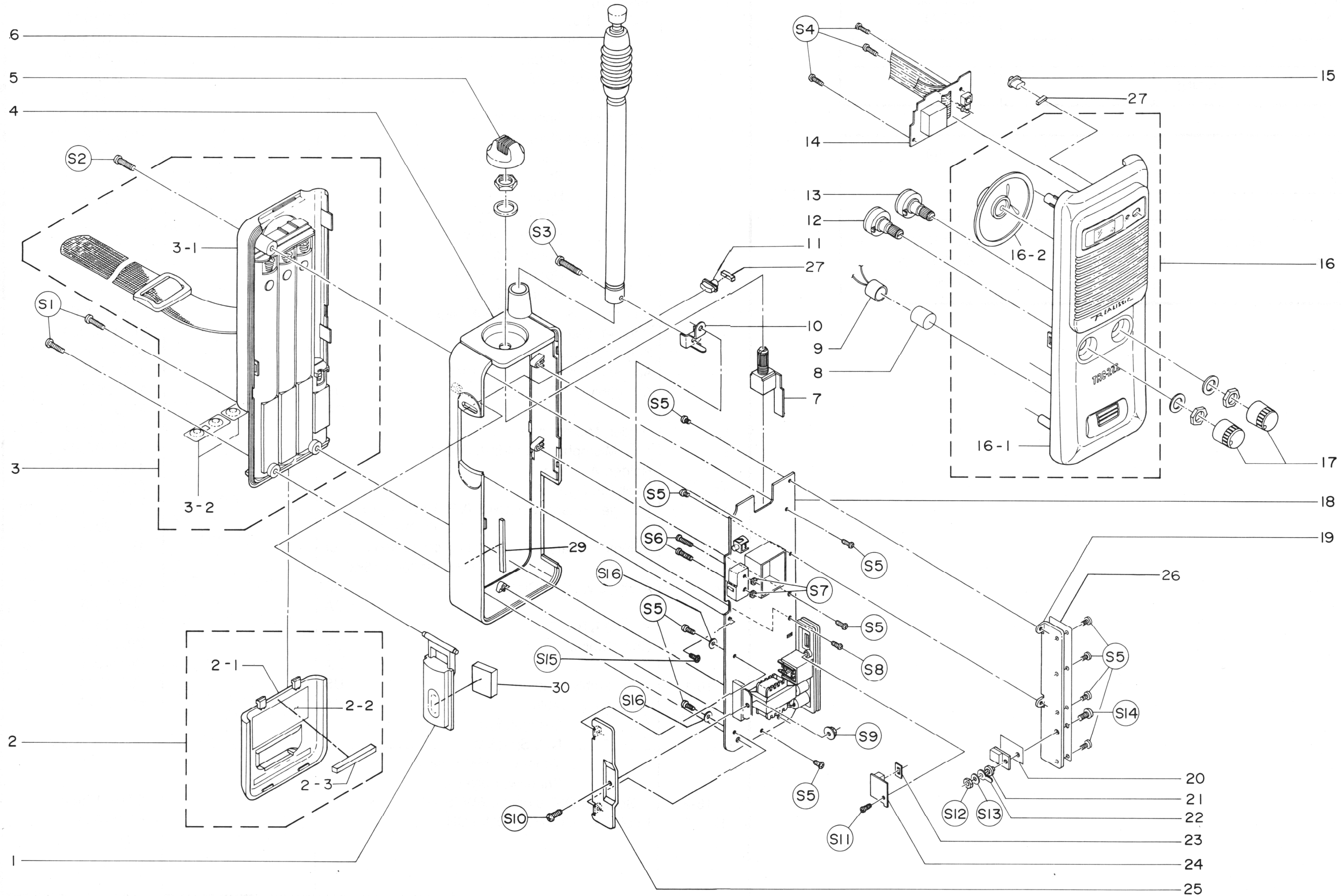


EXPLODED VIEW/DISASSEMBLY INSTRUCTIONS



Disassembly Instructions

1. Remove one screw S2 and two screws S1 from back cabinet assembly 3-1.
2. Pry back cabinet assembly 3-1 from sleeve cabinet 4 using a screwdriver on the two hooks located at the upper right and center right of the back cabinet.
3. Pry front cabinet assembly 16-1 from sleeve cabinet 4 using a screwdriver on the two hooks located at the upper right and center right of the front cabinet.
4. To remove antenna 6, remove a screw S3.
5. To remove main PCB assembly 7, remove three screws S5 and one screw S15.
6. To remove display PCB assembly 14, remove three screws S4.