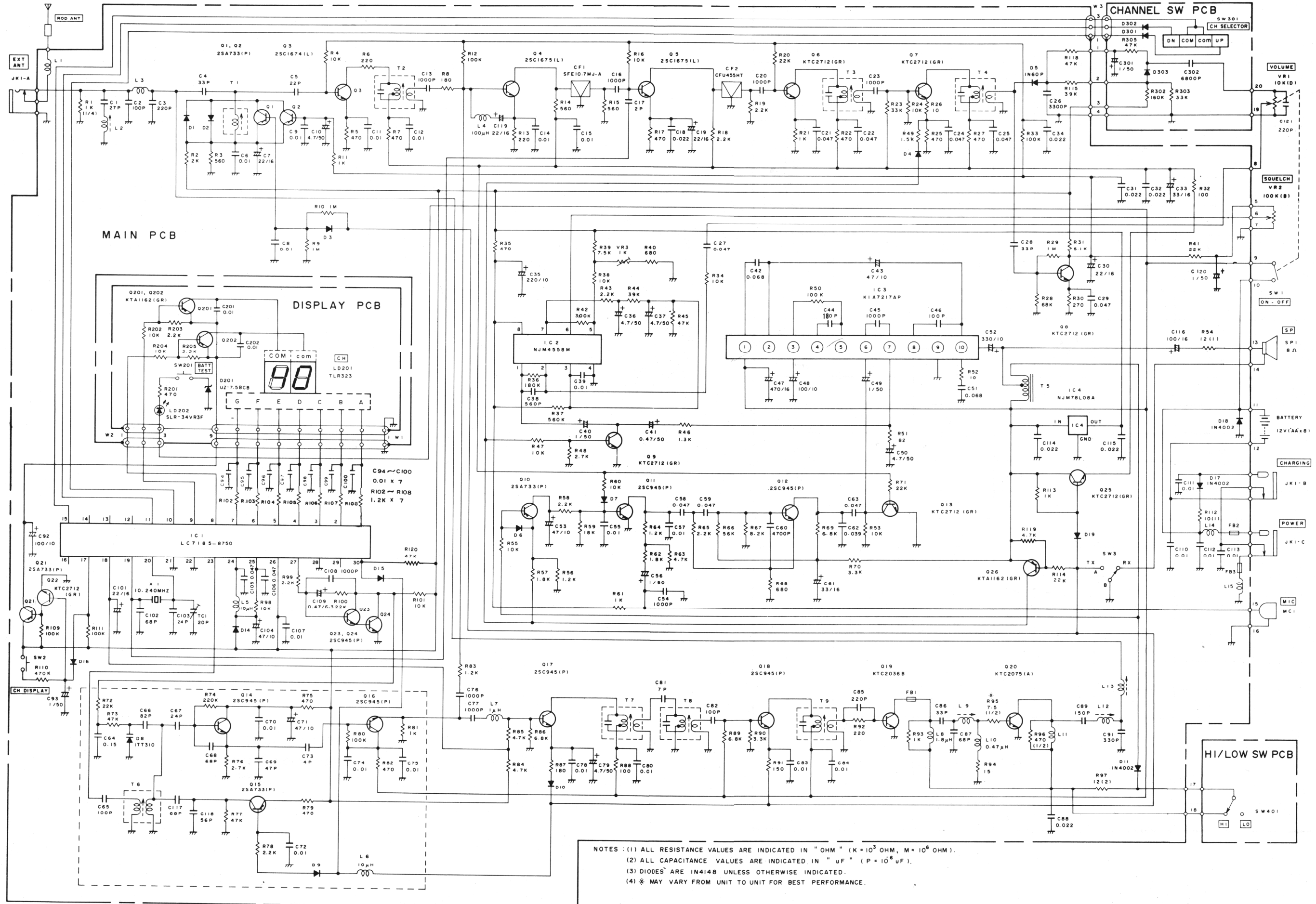


SCHEMATIC DIAGRAM



NOTES: (1) ALL RESISTANCE VALUES ARE INDICATED IN "OHM" (K = 10³ OHM, M = 10⁶ OHM).
 (2) ALL CAPACITANCE VALUES ARE INDICATED IN "UF" (P = 10⁶ UF).
 (3) DIODES ARE IN4148 UNLESS OTHERWISE INDICATED.
 (4) * MAY VARY FROM UNIT TO UNIT FOR BEST PERFORMANCE.