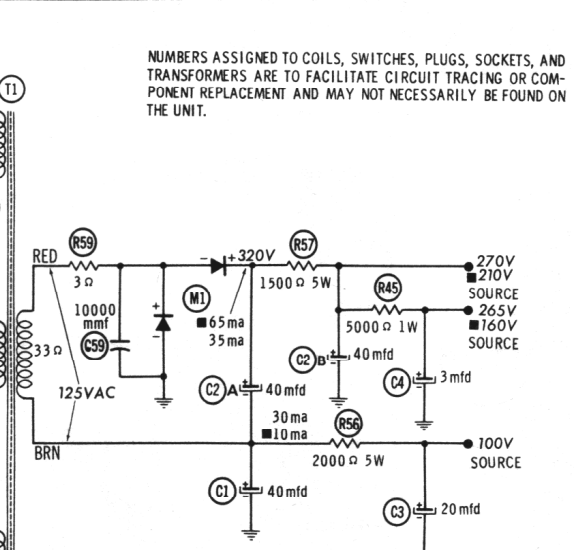
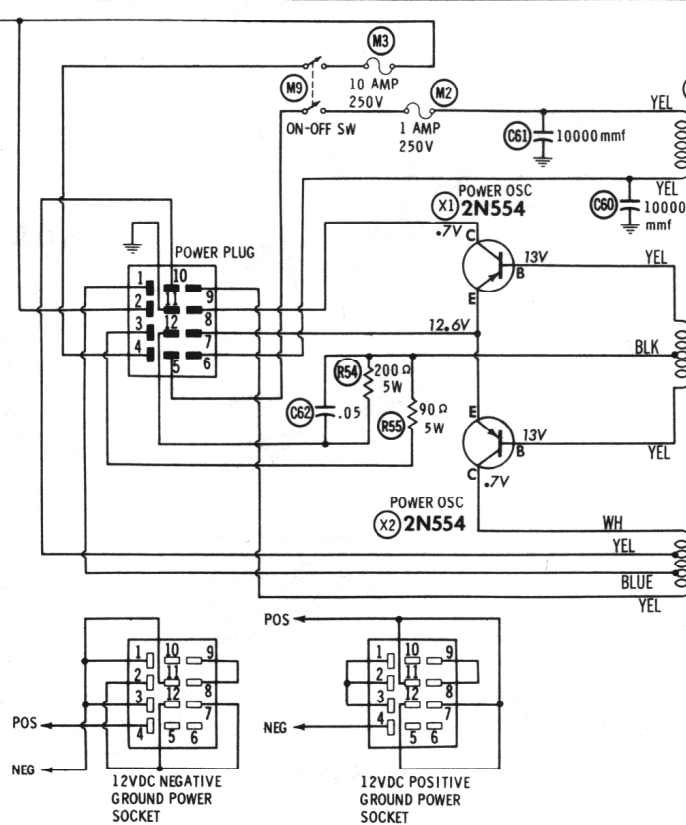
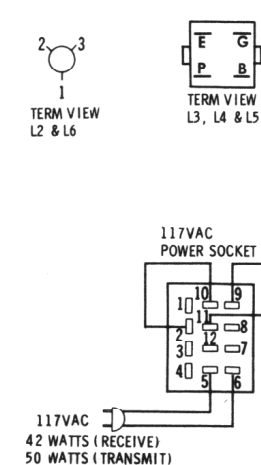
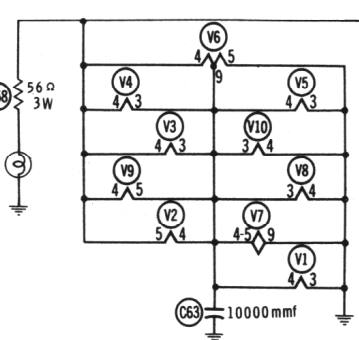
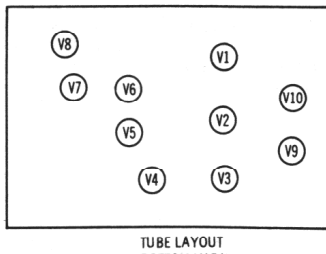


RESISTANCE READINGS

ITEM	TUBE	Pin 1	Pin 2	Pin 3	Pin 4	Pin 5	Pin 6	Pin 7	Pin 8	Pin 9
V1	6BA6	1.3 meg	0 Ω	0 Ω	.1 Ω	+1000 Ω	+1000 Ω	68 Ω		
V2	6U8	+15K	470K	+34K	1 Ω	.1 Ω	+1000 Ω	6800 Ω	0 Ω	100K
V3	6BA6	2 meg	0 Ω	.1 Ω	.1 Ω	+1000 Ω	+100K	150 Ω		
V4	6BA6	1 meg	0 Ω	.1 Ω	.1 Ω	+1000 Ω	+1000 Ω	560 Ω		
V5	6AL5	1.3 meg	1 meg	0 Ω	.1 Ω	15K	0 Ω	500K		
V6	12AX7	+220K	0 Ω	27K	.1 Ω	0 Ω	+200K	+200K	1 meg	.1 Ω
V7	12AX7	+225K	470K	5000 Ω	.1 Ω	.1 Ω	+225K	22K	5000 Ω	0 Ω
V8	6AQ5	470K	500 Ω	.1 Ω	0 Ω	+1700 Ω	+1500 Ω	470K		
V9	6U8	+7500 Ω	56K	+16K	.1 Ω	.1 Ω	+6500 Ω	560 Ω	0 Ω	100K
V10	6AK6	20K	0 Ω	.1 Ω	0 Ω	+1800 Ω	+6700 Ω	100 Ω		

TRANSISTOR CIRCUIT RESISTANCE NOT GIVEN BECAUSE OF THE WIDE VARIATION IN INTERNAL TRANSISTOR RESISTANCE. ALL MEASUREMENTS TAKEN IN "RECEIVE" POSITION UNLESS OTHERWISE INDICATED.  
 † MEASURED FROM JUNCTION OF R56 AND C31 (100VOLT SOURCE).  
 ‡ MEASURED FROM OUTPUT OF M1.  
 ■ MEASURED IN "TRANSMIT" POSITION.



NUMBERS ASSIGNED TO COILS, SWITCHES, PLUGS, SOCKETS, AND TRANSFORMERS ARE TO FACILITATE CIRCUIT TRACING OR COMPONENT REPLACEMENT AND MAY NOT NECESSARILY BE FOUND ON THE UNIT.

- DC voltage measurements taken with vacuum tube voltmeter; AC voltages measured with 1000 ohm per volt voltmeter.
  - Socket connections are shown as bottom views.
  - Measured values are from socket pin to common ground.
  - Line voltage maintained at 117 volts for voltage readings.
  - Nominal tolerance on component values makes possible a variation of +15% in voltage and resistance readings.
  - Volume control at maximum, no signal applied for voltage measurements.
- DC COIL RESISTANCE VALUES UNDER ONE OHM NOT SHOWN ON SCHEMATIC DIAGRAM  
 ARROWS ON CONTROLS INDICATE CLOCKWISE ROTATION (CONTROL VIEWED FROM SHAFT END)