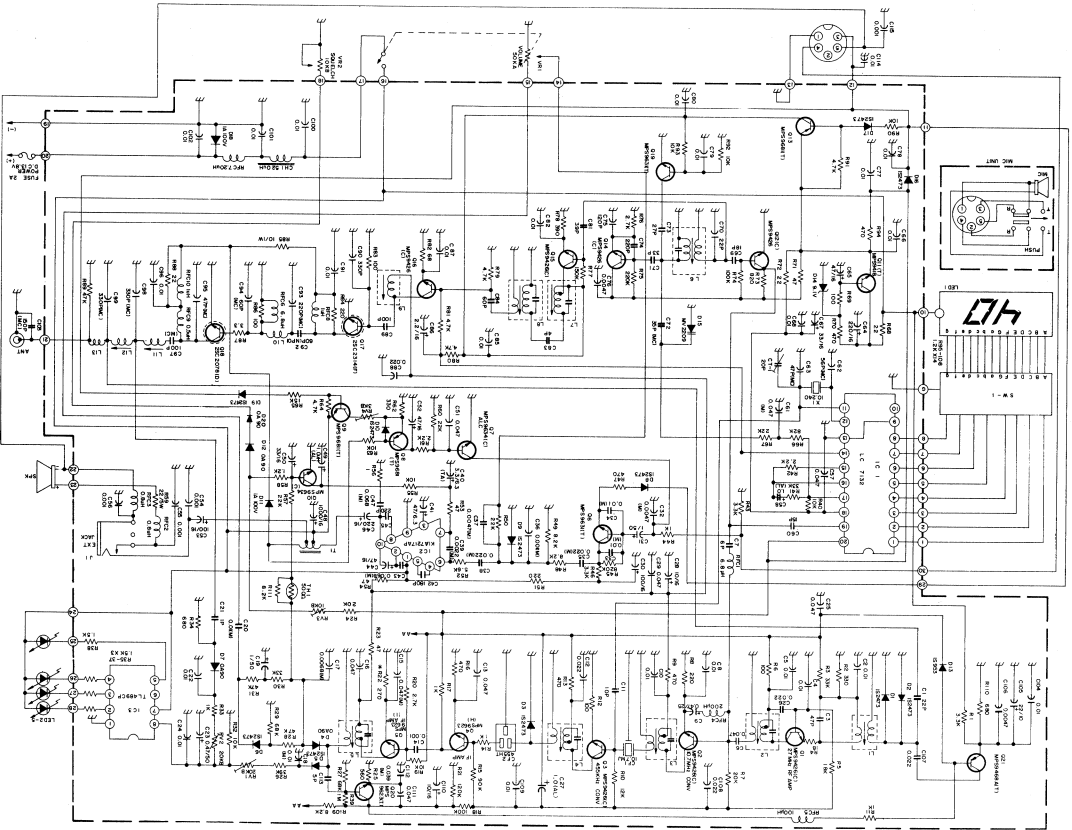


SCHEMATIC DIAGRAM



Schematic subject to change without notice.
For most accurate Schematic (and parts) contact Radio Shack, National Parts Dept., Fort Worth, TX 76101

NOTES