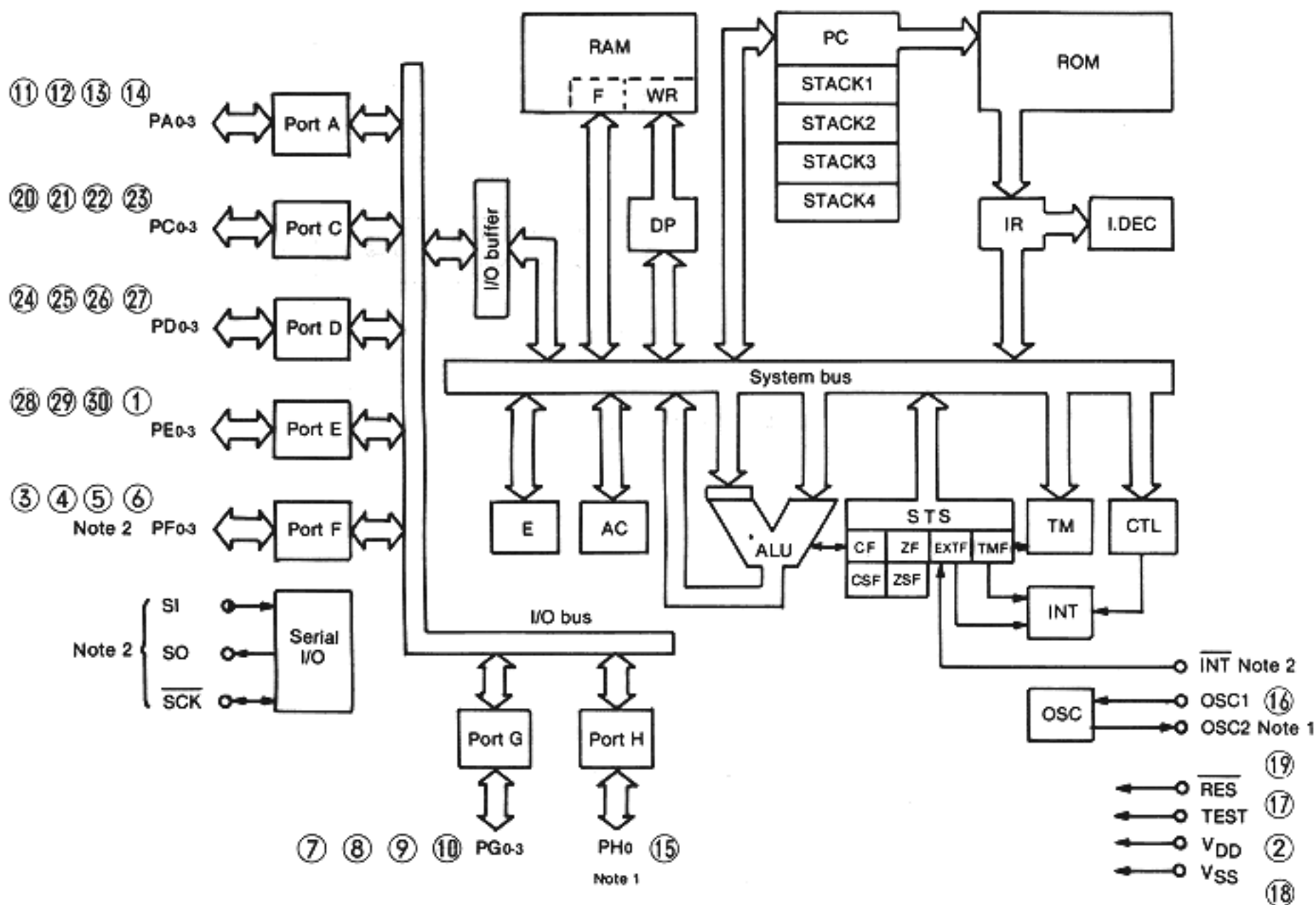


# IC101 LC6526C



RAM : Data memory

F : Flag

WR : Working register

AC : Accumulator

ALU : Arithmetic and logic unit

DP : Data pointer

E : E register

CTL : Control register

OSC : Oscillator

TM : Timer

STS : Status register

ROM : Program memory

PC : Program counter

INT : Interrupt control

IR : Instruction register

I.DEC : Instruction decoder

CF, CSF : Carry flag, carry save flag

ZF, ZSF : Zero flag, zero save flag

EXTF : External interrupt request flag

TMF : Internal interrupt request flag